

PROFITEC



Pro 400

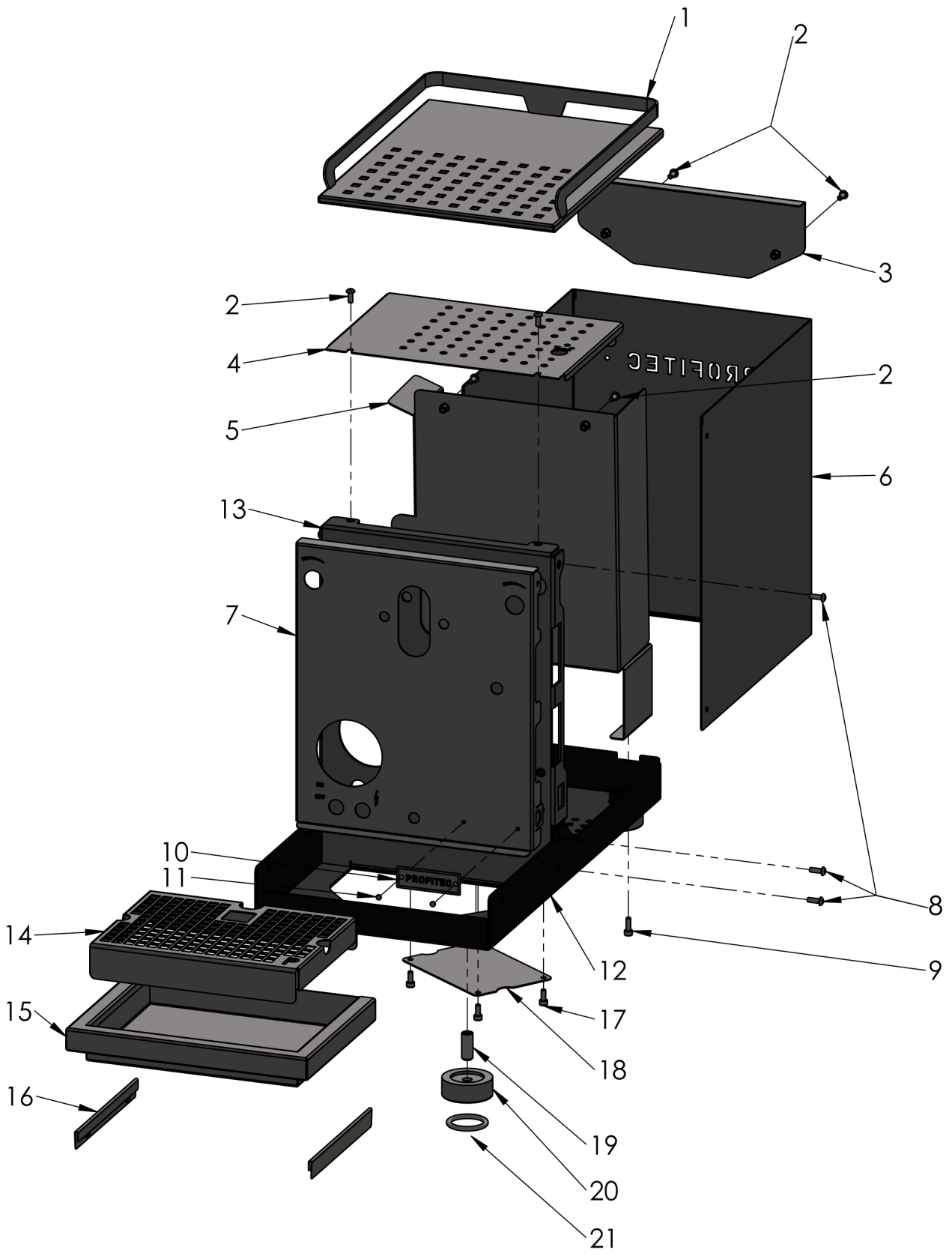
Artikel-Nr. / Item No. : 10400

Ersatzteile / Spare parts

22.03.2022



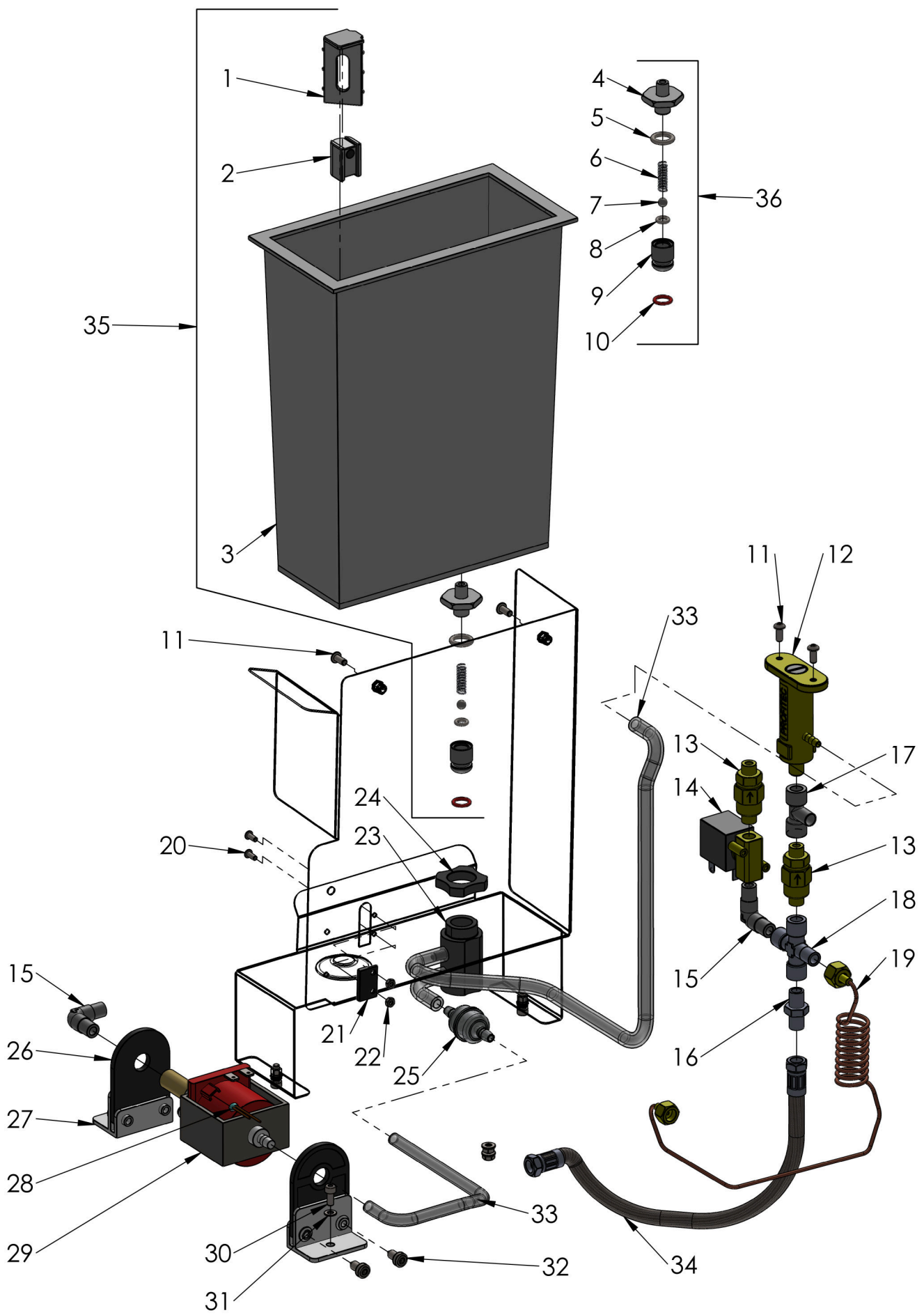
1 Chassis



Pro400 - Table 1 - Chassis

Pos.	Artikelnr./ item no./ num.art.	Bezeichnung	Description	Descrizione
1	P2165	Tassenablage Pro400	Cup warming tray Pro400	Scaldatazze inferiore Pro400
2	P2022	Schraube Linse M4x10 A2	Lens screw M4x10	Vite Bombata M4x10 A2 Lucide
3	P2166	Halter U-Gehäuse	Holder U-Chassis	Titolare corpo "U"
4	P2167	Untere Tassenablage Pro400	Lower Cup warming tray Pro400	Sotto scaldatazza Pro400
5	P2163	Wassertankführung Pro400	Water tank guide rail Pro400	Guida Serbatoio Pro400
6	P2164	U-Gehäuse Pro400	U-Body Pro400	Fascione Pro400
7	P2162	Frontblech Pro400	Frontpanel Pro400	Frontalino Pro400
8	P2075	Schraube Linsenkopf m. Bund M4 x 12	Panhead screw w. collar M4 x 12	Vite Bombata larga M4x12
9	B7819901	Schraube Zylinderkopf M4 x 12	Cylinderhead screw M4 x 12	Vite cilindrico M4x12 A2
10	P2063	Emblem Profitec klein	Emblem Profitec small	Emblema con Profitec
11	P1998	Blindniet Flachrundkopf 2,4x 8Alu	Blind rivet struss Head 2,4x8	Rivetti 2,4x8 Alluminio
12	P2161.1	Grundchassis Boden Pro400	Baseframe bottom Pro400	Basamento telaio Pro400
13	P2161.2	Grundchassis Front Pro400	Baseframe front Pro400	Frontale basamento Pro400
14	P2168	Gitter Auffangschale Pro400	Grid drip tray Pro400	Griglia bacinella Pro400
15	P2169	Auffangschale Pro400	Drip tray Pro400	Vaschetta raccogli gocce
16	P2161.3	Führungsschiene Auffangschale 15cm	Guide rail drip tray 150mm	Striscie acciaio 150mm
17	P2006	Schraube Zylinderkopf M4 x 10	Screw cylinder head M4x10	Vite cilindrico M4x10 A2
18	P2127	Abdeckung Gunchassis	Cover plate chassis	Coperatura Base
19	P1984	Gewindestift M10x25	Allen key grub screw M10x25	Grano M10x25
20	P7030	Fuss Pro400	Machine foot Pro400	Base della macchina Pro400
21	B7474216.1	O-Ring Fuß	OR Machine Foot	OR base della macchina Pro400

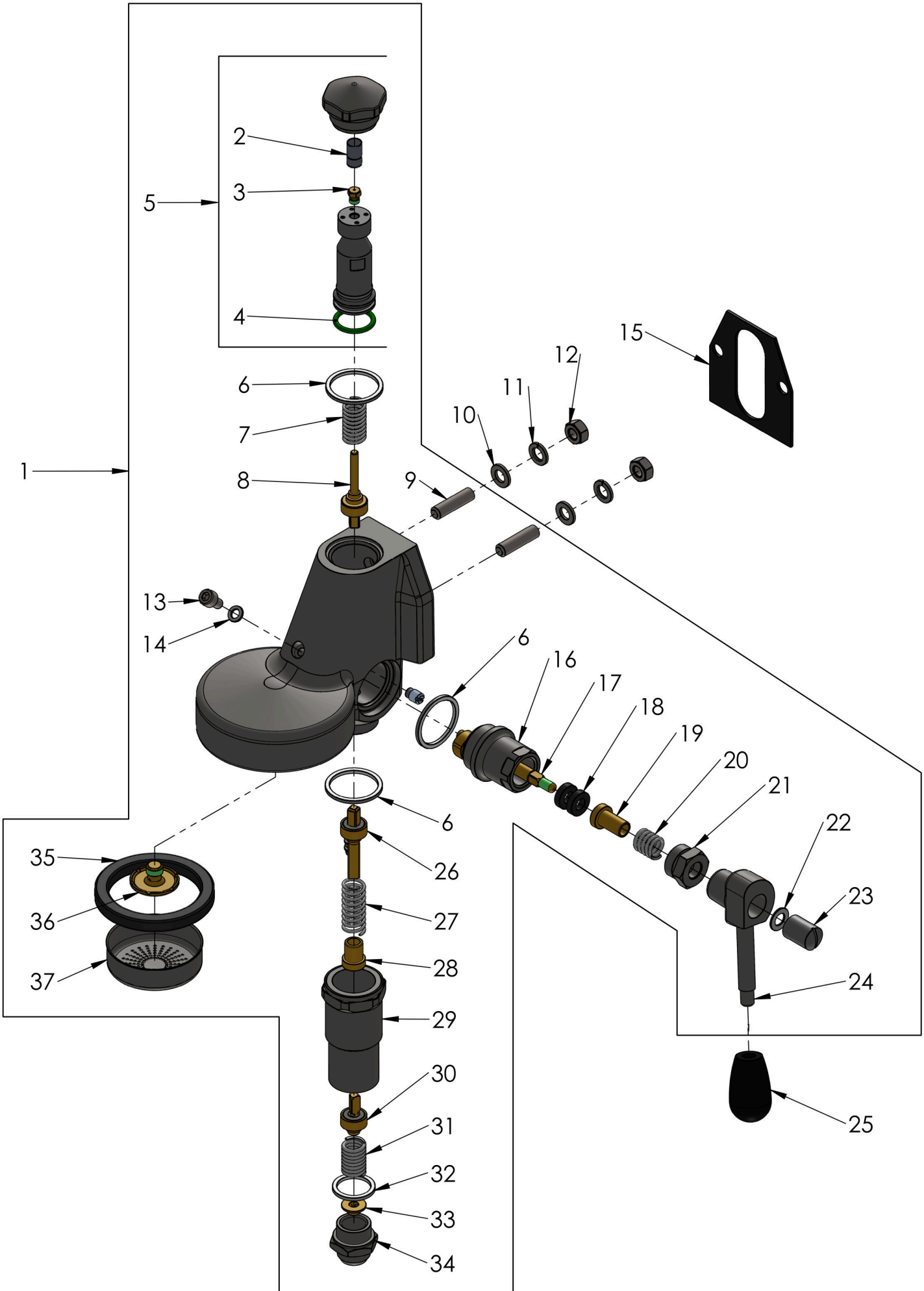
2 Water



Pro400 - Table 2 - Watersupply

Pos.	Artikelnr./ item no./ num.art.	Bezeichnung	Description	Descrizione
1	P6016	Deckel Schwimmer Wassertank	Cap floater water tank	Tappo per Serbatoio
2	P6021	Reed Schwimmer	Reed swimmer	Galleggiante- Float
3	P9010	Wassertank Rohling 2,8 Liter	Water tank blank 2,8 litres	Serbatoio 2,8 litro
4	P6020	Wassertankadapter Verschraubung	Water tank adapter hexagon nut	Portagomma innesto serbatoio
5	P6020.3	Dichtung Wassertankadapter oben	Seal water tank adapter upper	OR serbatoio adattatore sopra
6	P6023	Feder Wassertankadapter	Spring water tank apator	Molla addatore Serbatoio
7	B5471509	Kugel Wassertankverschluss	Ball water tank lock	Sfera Inox
8	P6025	Dichtung Wassertankadapter Mitte	Seal water tank adapter middle	OR Raccordo Serbatoio Mezzo
9	P6017	Wassertankadapter Stutzen	Water tank adapter union	Perno portagomma Serbatoio
10	B7496076	Dichtung Wassertankadapter unten	Seal water tank adapter lower	Guarnizione adattatore acqua sotto
11	P2022	Linsenkopfschraube M4x10 A2	Button head screw M4x10	Vite bombata M4x10
12	P7000	Expansionsventil	Expansionvalve	Valvola espansione completa
13	C229900548	Rückschlagventil 1/8"MM	Check Valve 1/8"MM	Valvola non ritorno 1/8"MM
14	C199900275	Magnetventil 2-Wege 230 VAC	Solenoid valve 2-ways 230 VAC	Eletrovalvola 2 vie 230 VAC
	US1005	Magnetventil 2-Wege 115 VAC	Solenoid valve 2-ways 115 VAC	Eletrovalvola 2 vie 115 VAC
15	C229900579	L-Stück 1/8"MM	Elbow 1/8"MM	L-raccordo 1/8"MM
16	C229900518	Gewindeadapter 1/8" MM	Double nipple 1/8" MM	connessione a vite Adattatore 1/8"MM
17	C229900703	T-Stück 1/8"FMF	T-fitting 1/8"FMF	T-Raccordo 1/8"FMF
18	P6047	Kreuzfitting 1/8" MFFF	Cross fitting 1/8" MFFF	Raccordi croce 1/8" MFFF
19	P6051	Kapillarrohr Pumpendruckmanometer	Capillary tube pump pressure gauge	Tubo capillare manometro
20	P6101	Linsenkopfschraube M3x8 A2	Button head screw M3x8 A2	Vite bombata M4x8 A2
21	P6022	Reed Sensor	Reed sensor	Sensore- Reed
22	P2019	Sechskantmutter M3 A2	hex nut metric M3	Dado M3 A2
23	P6020.K4	Wassertankadapter Becher	Water tank adapter connector	Bicchierino serbatoio N 4 K
24	P6020.K3	Wassertankadapter Mutter Becher	Water tank adapter connector nut	Dado N 3 K
25	C439900695	Filter Wassertankbetrieb	Filter water tank operation	Filtro per tubo silicone
26	C249900770	Halterung Pumpe	Pump Holder Rubber standard	Antivibrante Standard
27	P3006.K	Plastik Halterung Pumpe L	Lower pump bracket	Staffa Supporto Pompa L
28	C199900969	Thermostat Pumpe	Thermoprotection Pump	Termoprotettore Pompe
29	C199900286	Pumpe ULKA EX5 230V/ 50hz	Pump ULKA EX5 230V/ 50hz	Pompa ULKA EX5
	US1001	Pumpe US Ulka EAX5 120V / 60Hz	Pump US Ulka EAX5 120V/ 60Hz	Pompa vibr. Ulka EAX5 120V/ 60Hz
30	P2006	Schraube Zylinderkopf M4 x 10	socket head cap screw M4x10	Vite cilindrico M4x10 A2
31	P2009	Unterlegscheibe M4 A2	Flat washer metric no. 4	Rondella piane M4 A2
32	P3019	Schraube Pumpenhalterung 4,8x13mm	Thread tapping screw 4.8x13mm	Vite autofilettante zincata TC 4,8x13
33	C499900769	Silikonschlauch transparent	Silicone hose transparent	Tubo silicone trasparente
34	P8016	Flexschlauch 1/8"FF l=250mm	Flex hose 1/8"FF l=250mm	Tubo flex 1/8"FF 250mm
35	P9010.K1	Wassertank komplett 2,8 Liter	Watertank complete 2,8 liters	Serbatoio completo 2,8 litro
36	P6020.NK	Wassertankadapter komplett	Watertank adapter complete	Adattore Serbatoio completo

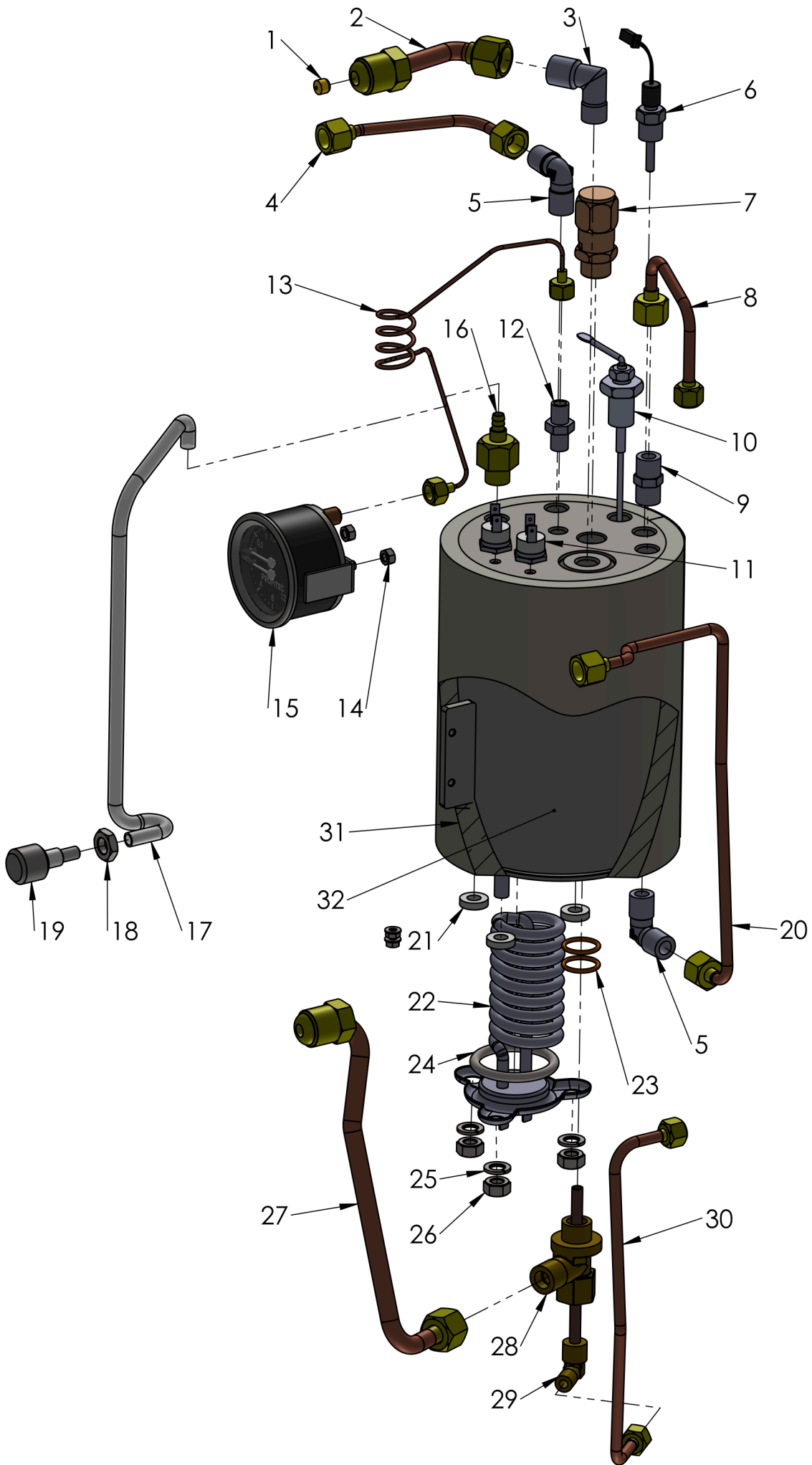
3 Brewgroup



Pro400 - Table 3 - Brewgroup

Pos.	Artikelnr./ item no./ num.art.	Bezeichnung	Description	Descrizione
1	P1018	Gruppe E61 Inox m. Glocke Profitec	Group E61 Inox w. Mushroom Profitec	Gruppo E61 Comp.lucid.cromato
2	C619900554	Metallfilter Gigleur	Inox filter gigleur	Gigleur filter
3	C229900549	Gigleur 0,8	Flow restrictor 0,8	Gigleur 0,8
4	C469900422	Dichtung Glocke Brühgruppe	Gasket mushroom brew group	Guarnizione fungo canotto
5	P1018.1	Glocke Edelstahl ProfitecE61 komplett	Socket brew group complete Profitec	Canotto completo Profitec E61
6	C469900421	Dichtung Teflon	Gasket Teflon	Guarnizione Teflon
7	C219900423	Feder Gruppe oben mitte	Spring upper/middle	Molla Valvola
8	C219900424	Ventil Brühgruppe E61 oben	Valve brew group E61 upper	Valvola erogazione gruppo E61
9	C309900131	Gewindestift M8	Allen screw M8x31	Grano M8
10	P2010	Unterlegscheibe M8	Washer metric 8	Rondella piane M8
11	P2011	Federring M8 A2	Spring ring M8 A2	Rondella grower M8 A2
12	C309900127	Sechskantmutter M8 A2	Hex nut M8	Dado M8 A2
13	P2077	Schraube Zylinder M6x8 A2	Cylinder head screw M6x8 A2	Vite M6x8 A2
14	C469901132	Dichtung Brühgruppe vorne	Gasket brewgroup front	guarnizione dinanzi gruppo
15	C449900767	Dichtung Brühgruppe am Gehäuse E61	Gasket brew group/front panel E61	Guarnizi Gruppo /Frontalino E61
16	R000002142	Flansch	Flange	Flancia portacamme
17	C219900425	Nockenwelle Gruppe E61	Camshaft Group E61	Albero camme E61
18	C219900426	U-Scheibe Achse Gruppe E61	Washer axis group E61	Guarnizione Premistoppa
19	P1004	Stutzen Gruppe E61- ECM	Axle Support group E61	Bussola premi gomma
20	C219900427	Feder Achse Gruppe E61	Spring axis group	Molla asse gruppo
21	R000002144	Verschraubung Achse Gruppe	Screw joint axis group	Tappo premi gomma
22	B7479947	Zahnscheibe M8	Lock washer metric 8	Rondella dentata M8
23	R000002146	Bolzen Hebel	Bolt lever	Calotta M6
24	P1000.2	Hebel Achse Gruppe kurz	Lever group axle short	Camme con Asta corta
25	C439900846	Brühhebelgriff M8 Pro400	Lever knob metric thread M8 Pro400	Manopola Gruppo M8 Pro400
26	C219903081	Ventil Gruppe Mitte	Valve group E61 middle	Valvola E61 centro
27	C219900423	Feder Gruppe oben mitte	Spring upper/middle	Molla Valvola E61 centro
28	B7479942	Federführung Gruppe	Spring guide group	Bussola Guida Molla
29	C229901165	Vorbrühzylinder	Pre-brewing cylinder	Canotto inferiore
30	C219900430	Ventil Gruppe E61 unten	Valve group E61 lower	valvola gruppo scarico
31	C219900431	Feder Gruppe unten	Spring group E61 lower	Molla scarico
32	C469900783	Dichtung Teflon E61 unten	Teflon gasket E61 lower	Guarnizione PTFE
33	R000002148	Sprühverteiler unten	Sprayer lower	Bussola frangiacqua
34	R000002149	Auslass unten Gruppe	Drain screw E61 lower	Scarico inferiore Gruppe
35	P1021	Gruppendichtung H=8,5mm	Group gasket H=8,5mm	Guarnizione sottocoppa 8,5 mm
36	C229901128	Sprühverteiler	Sprayer brew group	Diffusore gruppo
37	C519900103	Duschensieb E-61	Shower screen E61	Doccetta E61

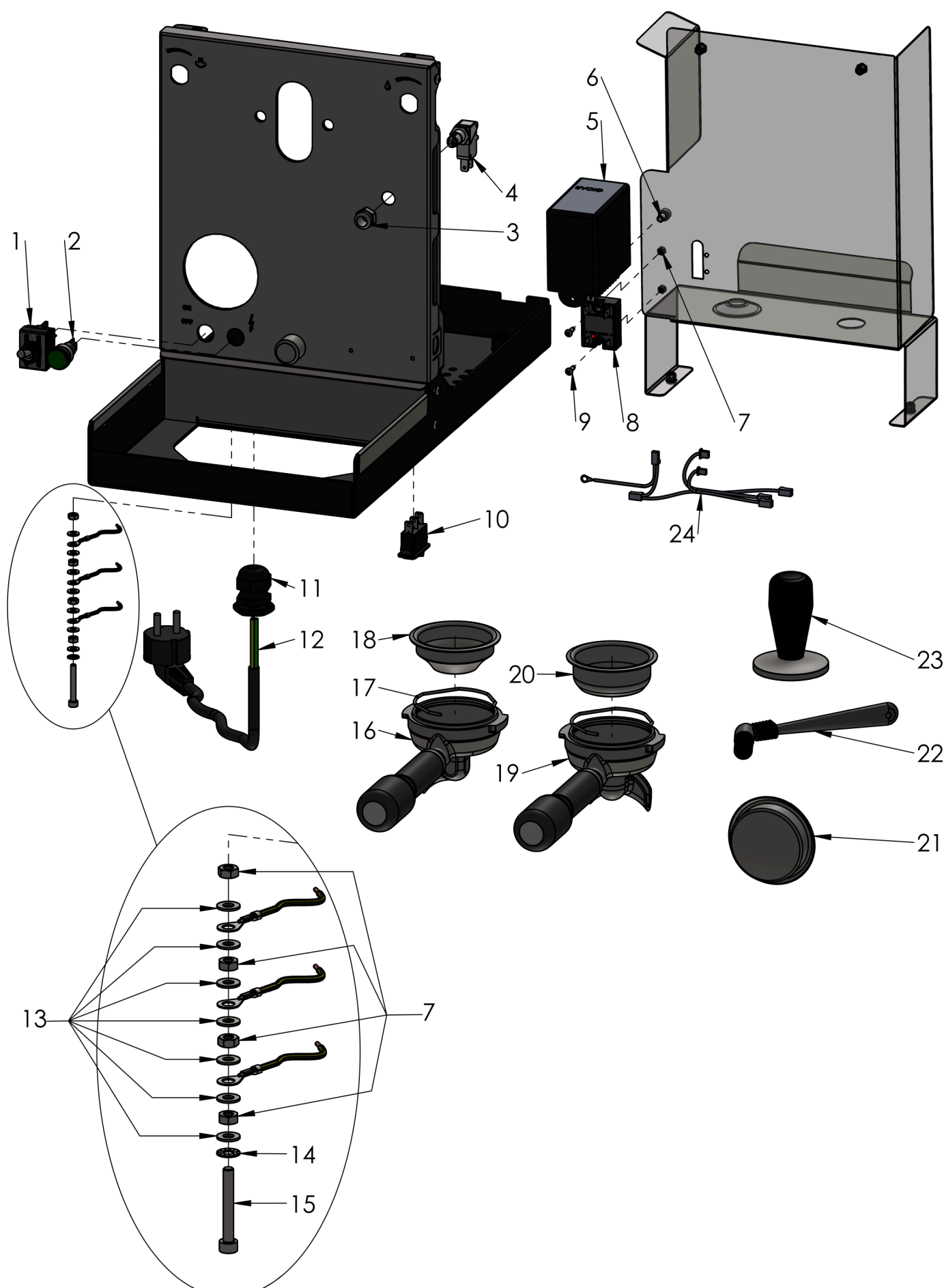
4 Boiler



Pro400 - Table 4 - Boiler

Pos.	Artikelnr./ item no./ num.art.	Bezeichnung	Description	Descrizione
1	P1910.1	Reduzierung Ø 2,5	Reduction Ø 2,5	Riduzione per Ogiva Ø 2,5
2	P9396	Rohr Zulauf Brühgruppe Pro400	Pipe intake Brewgroup Pro400	Tubo caldaia gruppo Pro400
3	P1931	L-Verbindungsstück 3/8" - 1/4" MM	Elbow 3/8" - 1/4" MM	Raccordo-L 3/8" - M1/4" MM
4	P9398	Dampfentnahmerohr Pro400	Steam outlet pipe	Tubo di scarico del vapore
5	C229900526	L-Stück 1/4"MM konisch-zylindrisch	Elbow 1/4"MM conical-cylindrical	L-raccordo 1/4"MM conico-cilindrico
6	P6037	Temperatursensor 1/4"	Temperature sensor 1/4"	Sensore Temperatura 1/4"
7	C229900559	Sicherheitsventil 3/8"M 2,0 bar	Safety valve 3/8"M 2.0 Mpa	Valvola di sicurezza 3/8"M 2,0 bar
8	P9397	Kesselbefüllungsrohr Pro400	Boiler loading pipe	Tubo carico caldaia
9	C229900520	Nippel 1/4" - 1/4"MM	Nipple 1/4" - 1/4" MM	Nipplo 1/4" - 1/4" MM
10	P6310	Füllstandskontrollsonde 97 mm	Level control probe 97 mm	Sonda controllo livello 97mm
11	C199901550.1	Sicherheitsthermostat 145°C	Safety thermostat 145°C	Termostato riarmo 145°C
12	C229900518	Nippel 1/8" - 1/8" MM	Nipple 1/8" - 1/8" MM	Nipplo 1/8" - 1/8" MM
13	B7400902	Kapillarrohr Kesseldruckmanometer	Capillary tube boiler gauge	Tubo capillare manometro
14	P6102	Sechskantmutter M5 A2	Hexagon nut M5	Dado M5 A2
15	P2557	Doppelmanometer Pro400	Double pressure gauge Pro400	Manometro doppio Pro400
16	P2561	Antivakuumentil mit Ablauf	Anti-vacuum valve with drain	Valvola antidepressione
17	C499900769	Silikonschlauch transparent	Silicone hose transparent	Tubo silicone trasparente
18	P6103	Halbmutter M10	Half nut M10	Dado meta M10
19	C227700898	Ablaufdüse	Drain nozzle	Scarico Espansione Cromato
20	P9399	Wasserentnahmerohr Pro400	Hot water outlet pipe Pro400	Tubo prel. Acqua Pro400
21	P9033	Teflon Scheibe	Teflon Spacer	Rondella Teflon
22	P7014.1	Heizung Edelstahlkessel 230V 1400W	Heater INOX boiler 230V 1400W	Resistenza 230V 1400W
	US1000	Heizung Edelstahlkessel 110V 1400W	Heater INOX boiler 110V 1400W	Resistenza 110V 1400W
23	P2045	Kupferdichtung 3/8" HX	Copper Seal 3/8" for HX	Guarnizione rame 3/8" HX
24	P9013	Dichtung Heizung Kessel Edelstahl	Seal heating element Inox boiler	Guarnizione resistenza caldaia inox
25	P2011	Federring M8 A2	Spring ring M8 A2	Rondella grower
26	C309900127.2	Sechskantmutter M8 Messing	Hex nut brass M8	Dado M8 Ottone
27	P9406	Rohr Rücklauf Brühgruppe	Pipe return-flow Brewgroup	Tubo ritorno circolazione
28	C229900740	Verbindungsstück Injektionsrohr	Connector injection pipe	Raccordo iniezione
29	C229900393	Injektionsrohr Conico	Injection tube Conico	Tubo iniezione Conico
30	P9400	Alimentationsrohr	Alimentation pipe	Tubo ingresso iniettore
31	P7056	Kesselisolierung Pro400/200	Boiler Insulation Pro400/200	Isolazione caldaia Pro400/200
32	P7090	Kessel Pro400/200	Boiler Pro400/200	Caldaia Pro400/200

6 Eletrc. comp. Acs.

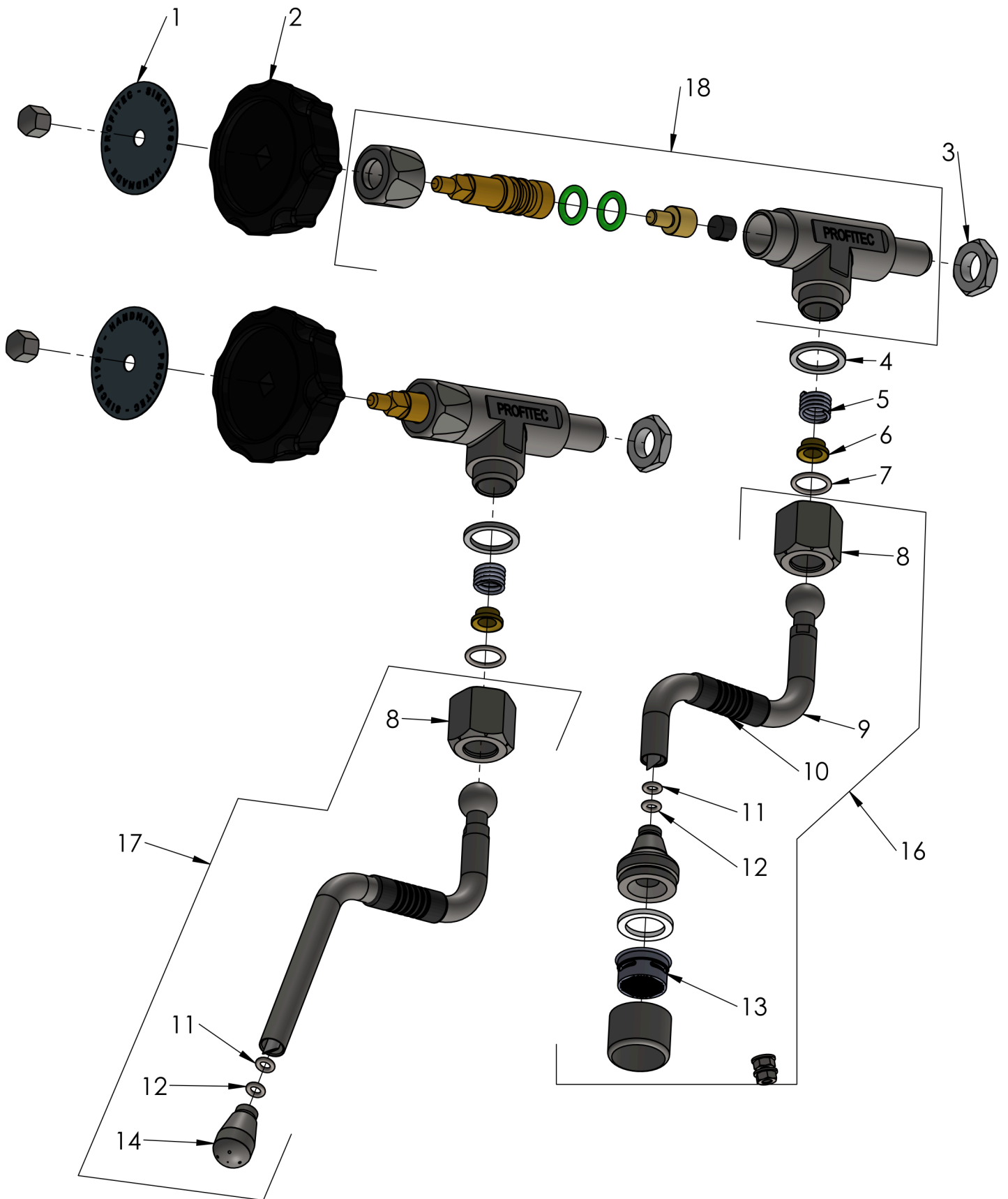


Schutzleiteranschluss
Provision for earthing

Pro 400 - Table 6 - eletr. Components , Accessiores

	Artikelnr./ item no./			
Pos.	num.art.	Bezeichnung	Description	Descrizione
1	C199900087	Ein-/Ausschalter Metall	Power switch metal	Interruttore on/off
2	P2565	Kontrolllampe grün 6V	Control lamp green 6V	Spia di controllo verde 6V
3	B5221875CM	Mutter Mikroschalter	Hexagon nut microswitch	Dado Microswitch hex
4	P2081	Mikroschalter Brühgruppe Rolle Gastro	Microswitch brewgroup with wheel	Microinteruttore Gruppo Rotola
5	P2820	Elektronik HX Pro400/Slim 110-230V	Elektronik HX Pro400/Slim 110-230V	Centralina HX Pro400/Slim 110-230V
6	P1977	Schraube Zylinderkopf M5x8 A2	socket head cap screw M5 x 8 A2	Vite a testa cilindrica M5 x 8 A2
7	P2019	Mutter M3 A2	Hex nut M3	Dado M3 A2
8	P6029	Statisches Relais klein	Solid State Relay	Relais statico
9	P6101	Schraube Zylinder M3x8 A2	socket head cap screw M3 x 8 A2	Vite M3 x 8 A2
10	P6313	Schalter mit 3 Positionen Pro 400/Slim	Rocker switch 3-Pos. Pro 400/Slim	Contatore tre posizioni Pro 400/Slim
11	P2070	Kabelbefestigung mit Sechskantmutter	Cable clip with hexagon nut	Fermacavo & dado PG 13.5-10
12	C199900957	Netzkabel Schuko-Stecker	Power cord Schuko-plug	Cavo con spina Schuko
13	P2009	Unterlegscheibe M4 A2	Flat washer M4 A2	Rondella piane A2 M4
14	P2004	Zahnscheibe M4 A2	Lock washer M4 A2	Rondella Dent.Est A2 M4
15	P1983	Schraube Zyl. M4x30 A2	Socket head cap screw M4x30 A2	Vite a testa cilindrica M4 x 30 A2
16	C699900233	Filterträger 1 Auslauf	Filter holder 1 spout	Portafiltro a 1 via manico nero
17	C619900098	Haltefeder Filterträger	Locking spring portafilter	Molla Ferma Filtro
18	C619900104	Tassensieb 7g	Filter for 1 cup 7g coffee	Filtro 7g
19	C699900234	Filterträger 2 Ausläufe	Filter holder 2 spouts	Portafiltro 2 vie manico nero
20	C619900105	Tassensieb 14g	Filter for 2 cups 14g coffee	Filtro 14g
21	C619900106	Blindsieb	Blind filter for brew group cleaning	Filtro cieco
22	R210	Reinigungspinsel	Cleaning brush coffee machine	Spazzolino per doccia nero
23	89410	Neutral Tamper Geräte beigabe	Neutral Tamper	Spingi caffè neutro
24	P2587	Kabelbaum Pro 400	Wireing harness Pro 400	Cablaggio elettrico Pro 400

5 Valves



Pro400 - Table 5 - Valves

Pos.	Artikelnr./ item no./ num.art.	Bezeichnung	Description	Descrizione
1	P8140	Ventilplättchen Pro400 Hellblau	Valveplate Pro400 Azure	Maniglia rondella azzurro
	P8143	Ventilplättchen Pro400 Orange	Valveplate Pro400 Orange	Maniglia rondella arancione
	P8144	Ventilplättchen Pro400 Rot	Valveplate Pro400 Red	Maniglia rondella rosso
	P8145	Ventilplättchen Pro400 Hellgrün	Valveplate Pro400	Maniglia rondella verde chiaro
2	P8121	Griff für Drehventil mit Vierkant	Valve handle w. square socket	Manopola valvola rotante piazza
3	C329900682	Halbmutter 1/4"	Half nut 1/4"	Mezzo dado 1/4"
4	P6015	Teflondichtung für Ventil	Gasket PTFE valve	Rondella Teflon per rubinetto
5	B5471532	Feder Dampf HW Ventil	Spring steam-/hot water valve	Molla per snodo
6	B5220606	Pfanne Dampf/ Heißwasserventil	joint socket steam-/hotwaterwand	presa comune per rubinetto
7	B7496073	O-Ring Nuss Dampf/Heißwasser	O-Ring nut steam/hotwater	OR Dado per rubinetto vapore/acqua
8	P6002.5	Nuss Dampf-Heißwasserrohr	Nut steam-/hot water valve	Dado per rubinetto vapore/acqua
9	P2540	Heißwasserlanze No-Burn Profitec	Hot water wand no-burn teflon	Lancia Acqua Profitec
10	P8110	Gummiisolation Profitec-Lanzen	Insulation steam-/hot water wand	Isolamento lancia Profitec
11	P2542.1	OR Lanzendüsen Silikon rot	OR Lances nozzles silicone red	OR ugelli lancia silicone rosso
12	B7496083	OR Lanzendüsen NBR schwarz	OR Lances nozzles NBR black	OR ugelli lancia NBR nero
13	P6001.2	Perlator Sieb Heißwasserrohr	Strainer hot water outlet	Perlatore fitro
14	P2543	Dampfdüse 2 Loch 1,2 mm	Steam nozzle 2 holes 1,2 mm	Ugello vapore due fori 1,2mm
	P2542	Dampfdüse 4 Löcher 1,2 mm	Steam nozzle 4 holes 1,2 mm	Ugello vapore quaddro fori 1,2mm
16	P2540	Heißwasserlanze No-Burn Profitec	Hot water wand no-burn teflon	Lancia Acqua Profitec
17	P2541	Dampflanze No-Burn Profitec	Steam wand no-burn teflon	Lancia vapore Profitec
18	P8118	Ventil Profitec Sterngriff	Handwheel Tap Profitec	Rubinetto Piccolo a Volantino Profitec