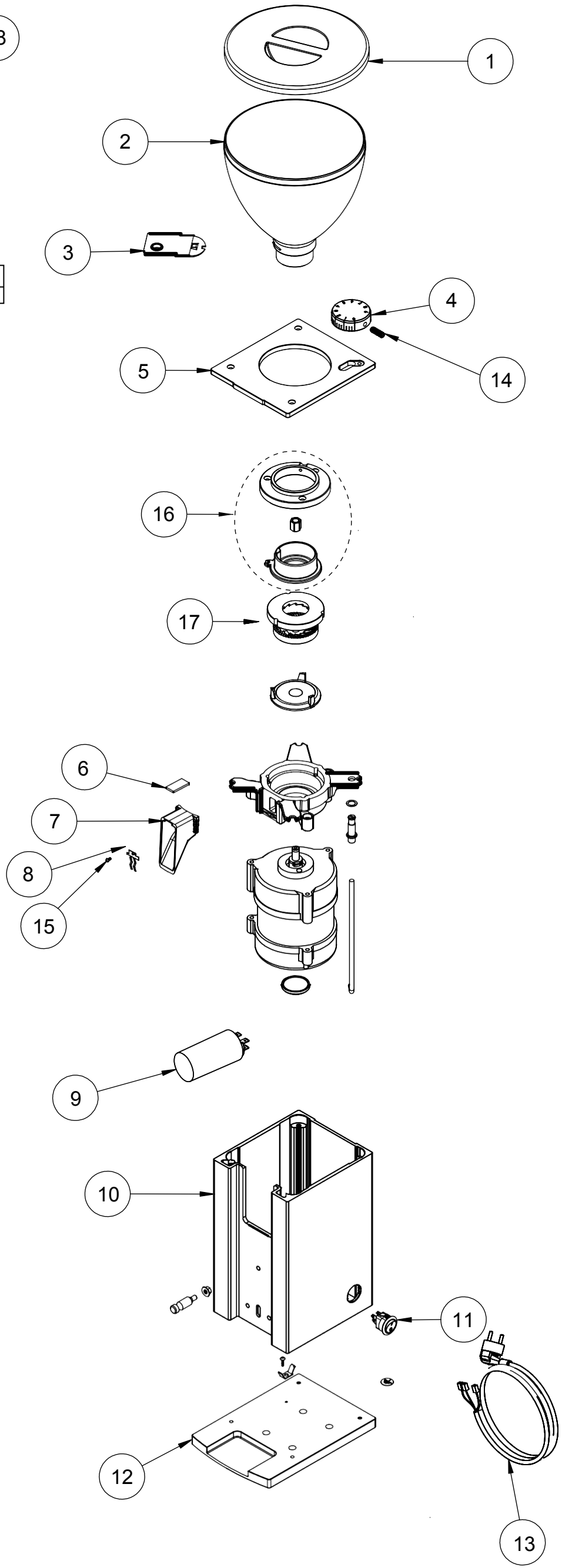


Evol.	Table	Date
2	1/2	21/02/2022

■	1	R039907745	LID
■	2	R039907750	HOPPER
■	3	R039907751	FLAP DOOR
■	4	R819907748	REGULATION KNOB
■	5	R019907747	COPPER COVER
■	6	R049907756	ADHESIVE GASKET
■	7	R039907757	COFFEE EXIT SLIDE
■	8	R039907758	COMPACTOR SHEET
■	9	-	CAPACITOR
		R019907759	220-240V/50-60Hz
		R019907760	110V 60Hz
■	10	-	BODY
		R019907761	Black
		R017707762	Chrome
		R087707763	Chrome/white
		R017707764	Chrome/copper
■	11	R039907765	SWITCH
■	12	R019907766	BASE GROUP
■	13	-	POWER PLUG
■		R089907767	SCHUKO
		R089907768	USA
		R089907769	UK
		R089907770	SW
		R089907771	AUS
		R089907772	ISR
■	14	R319907773	GRAIN FIXING
■	15	R319907774	EXITE SLIDE SCREW
■	16	R019907749	KIT RING
■	17	R019907909	KIT BURRS

N.	CODE	FEATURES
18	R039907746	KIT HOPPER



Descriptions	
■/■	Assembly/Part available
○/○	Assembly/Part not available

Evol.	Table	Date
2	2/2	21/02/2022

N.	CODE	FEATURES
■ 1	R130007794	DISPLAY
■ 2	R017707796	FUNNEL SUPPORT
■ 3	R017707795	DOSING FUNNEL
■ 4	R017707797	FORK FUNNEL
■ 5	R190007801	CABLES
■ 6	-	POWER BOARD
	R190007798	220-240V/50-60Hz
	R190007799	110V/60Hz
■ 7	R300007800	KIT SCREWS

