

**GAGGIA®** RI9600/01-47 (SUP049)  
 RI9601/01-47 (SUP049E)  
 RI9603/01-47 (SUP049EP)



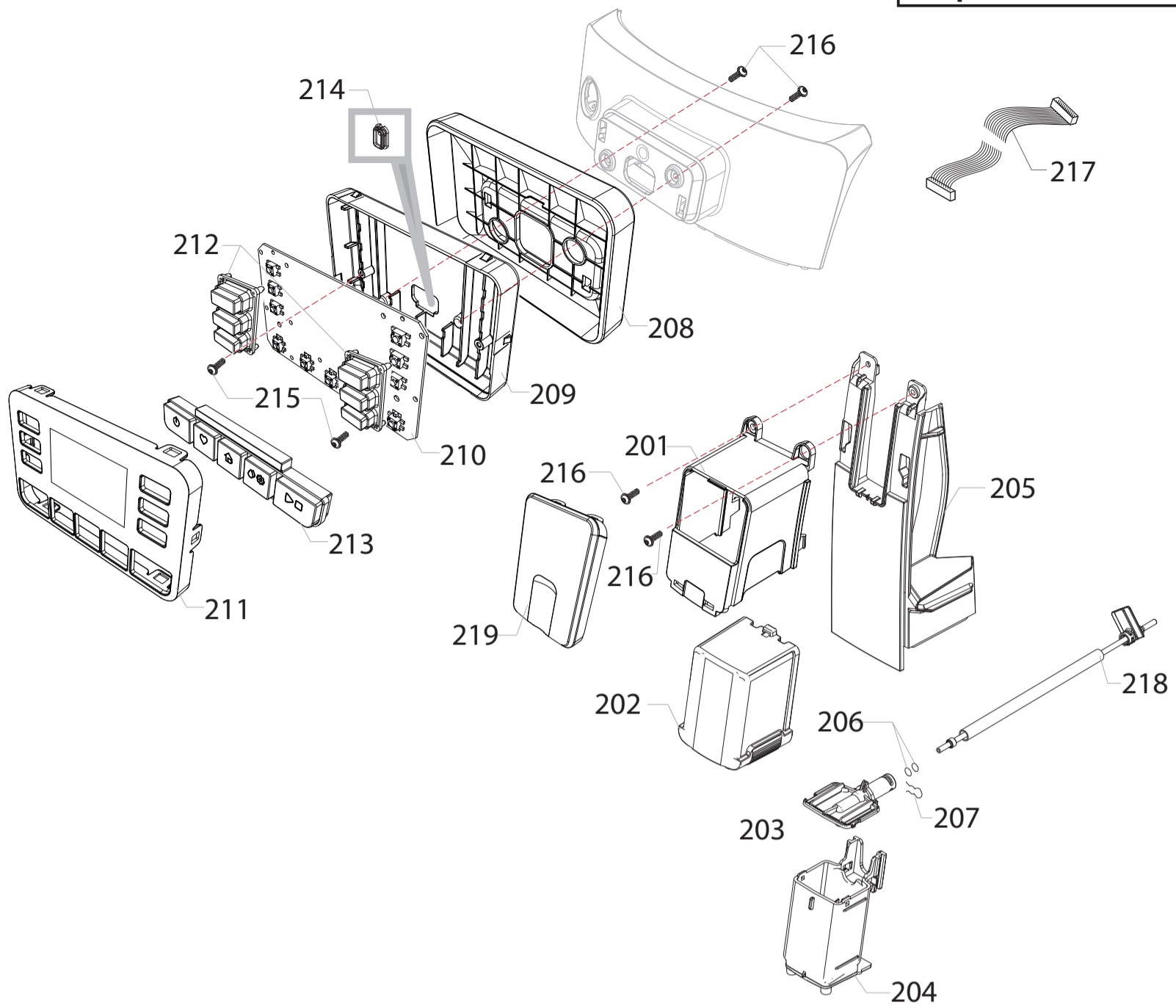
Cod.886960001010-886960047540  
 Cod.886960101010-886960147540  
 Cod.886960301010-886960347540

POS	12NC	DESCRIPTION	NOTE	POS	12NC	DESCRIPTION	NOTE
101	421946017941	KLUBERLUB NH1 11-222 TUBE 5GR.		138	421944017971	BLK PWR/CPU BOARD PROTECTION V2 P0057	230V
102	996530011867	BRUSH FOR CLEANING			421944050551	GRY PWR/CPU BOARD PROTECTION V2 P0057/UL	120V
103	996530025808	BLK POWER CABLE SCHUKO L=1200	⚠	139	421944022751	BLK HINGE FOR REAR CASING XSM.	
	996530025843	POWER CABLE SJT3 USA BLACK UL L=1200	⚠	140	421944022731	BLK HINGE FOR DOOR RIGHT SIDE XSM	
104	421944033301	BLK ABS COFFEE MEASURE SMART		141	421945004371	DISPL.BOX GAG.CADORNA	
105	996530013165	SCREW TCB TORX 10 3,5X16 PLAST.ZN-B	RI9600	142	421944058831	BLK COF.GRINDER SOUNDPROOFING COV.V3 NPR	
106	996530039604	STICKER FOR WATER HARDNESS TEST		143	996530007819	SCREW TCB TORX 10 3,5X12 PLAST.ZN-N	
107	421944063381	NAT/GR BEAN COFF.CONT.LID V2 NPR/H-T		144	421944016761	SCREW TCB TORX 10 3,5X12 PLAST.ZN-NI	
108	421944040481	TRANSP/GRY GROUND COF.HOPPER LID SMRA		145	996530067437	BLK CAPACIT.SENSOR DEADLOCK INSERT XSM	
109	421944053291	TRANSP/GRY BEAN COFFEE CONTAINER NPR		146	996530069857	STEEL PLATE FOR DOOR MAGNET XSM	
110	421941301461	M/BLK UPPER CASING COVER V2 NPR/B-P		147	996530050555	MAGNET FOR FLOAT SUPERAUT.	
111	421945005951	M/BLK FRONT PANEL S/SCR. CAD. STYLE CMF	RI9600	148	996530013156	SCREW TCB TORX 10 3X8 PLAST.ZN-B	
	421945003121	M/BLK FRONT PANEL S/SCR. CAD.PLUS CMF	RI9601	149	421946000111	DOOR MICROSWITCH V3 NPR UL ASSY.	⚠
	421945005961	M/BLK FRONT PANEL S/SCR. CAD. MILK	RI9603	150	421946500481	KIT PS-E INSERT FOR CAD.PLUS MILK PREST	RI9601-RI9603
112	NOT AVAILABLE				421946500461	KIT PS-E INSERT FOR CADORNA STYLE	RI9600
113	996530068729	BLACK LEFT SIDE CASING NPR		151	996530072903	MATT/BLACK FRONT PANEL CAP NPR/H-P	
114	421941264382	BLK COFFEE GRINDER SUPP.PLATE V3 NPR/T		152	421941310491	KIT SPARES BLK DRIP TRAY NPR/H-P	
115	421941282513	BLK CASING BOTTOM INSERT V3 NPR		153	996530073256	SPARES KIT WATER CONT+MATT/BLK FRONT ASS	
116	996530068723	BLACK DRIP TRAY GUIDE NPR	RI9600	154	421944026522	BLK CASING BOTTOM V6C NPR/E	
117	421324705256	TRANSPARENT SILICONE FOOT		155	421945003051	M/BLK CASING BOTTOM CAD.	RI9601-RI9603
118	996530072525	MATT/BLACK DUMP BOX NPR/H-P		156	421945003031	M/BLK. CASING BOTTOM COVER CAD.	RI9601-RI9603
119	996530072533	BLACK DRIP TRAY V2 NPR/H-P		157	421945003041	M/BLK BOX REST CUPS CAD.	RI9601-RI9603
120	421941304791	RED/3003 FLOAT FOR DRIP TRAY XSM		158	421945002991	REST CUPS ASSY CAD.	RI9601-RI9603
121	421944053231	SB/SA GRATE FOR DRIP TRAY V2 NPR/H-P					
122	421944040061	BLK LID FOR WATER CONT.VALVE V2 P0049					
123	421944040781	BLK GASKET FOR WATER CONT.VALVE V2 P0049					
124	421944040071	BLK WATER CONT.VALVE INSERT V2 P0049					
125	996530001831	SS SPRING FOR WATER CONTAIN.VALVE P0049					
126	996530013571	OR ORM 0190-10 EPDM					
127	996530029115	WHITE WATER CONTAINER EXT.FILTER ASSY.					
128	421944056301	NAT/GRY WATER CONTAINER V2 NPR ASSY					
129	996530072456	MATT/BLACK WATER TANK FRONT COVER NPR					
130	421944040591	M/BLK RIGHT SIDE DOOR V4 NPR					
131	421941306721	CPU+SW WATER LEVEL SENSOR V3 ASSY.	⚠				
132	421946000081	3P.CONN.WATER LEVEL V2 CLP UL ASSY.	⚠				
133	996530068749	BLK CAPACIT.SENSOR LOCKING INSERT NPR	⚠				
134	996530072437	CUP SOCKET V3 EN 60320 C 13	⚠				
135	421945010741	M/BLK REAR CASING V2 NPR	⚠				
136	996530068728	BLACK REAR CASING PROGRAM.INSERT NPR	⚠				
137	421945001752	MAIN+SW CAD 230V ASSY	⚠				
	421946500321	MAIN+SW CAD 120V ASSY	⚠				

**IMPORTANT REPAIR INSTRUCTIONS:** Only use genuine Gaggia spare parts to replace critical components.

The warranty of your Gaggia product is void if you do not use genuine Gaggia spare parts to repair critical components of your appliance.

The critical components are indicated with a warning triangle ⚠ in the service exploded view and/or service manual.



**GAGGIA®**

**RI9600/01-47 (SUP049)  
RI9601/01-47 (SUP049E)  
RI9603/01-47 (SUP049EP)**



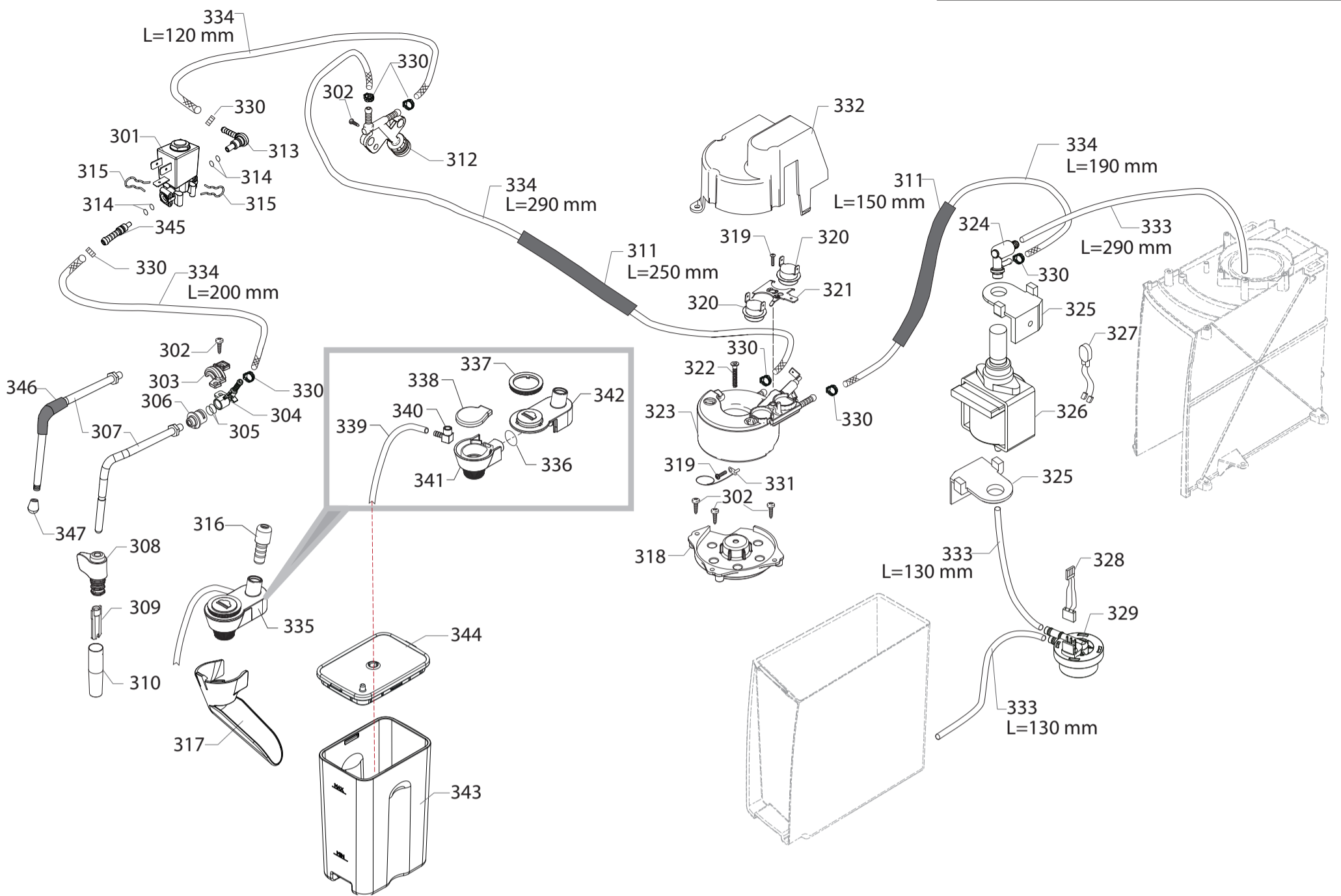
**Cod.886960001010-886960047540  
Cod.886960101010-886960147540  
Cod.886960301010-886960347540**

POS	12NC	DESCRIPTION	NOTE	POS	12NC	DESCRIPTION	NOTE
201	421945003061	M/BLK COFF.DISPENSER EXTERNAL BODY CAD.					
202	996530068698	BLACK COFFEE DISPENSER MOBILE PART NPR					
203	421944086481	BLK COFFEE DISPENSER BODY LID V2 NPR					
204	421944086511	BLK COFFEE DISPENSER BODY V3 NPR					
205	996530072527	MATT/BLACK FRONT CASING COVER V2 NPR					
206	996530013564	OR 2015 SILICONE PTFE/FDA					
207	996530048885	SS FORK FOR TUBE D=4					
208	421946500071	SILVER REAR SUPPORT FRAME CAD.					
209	421945003161	BOX					
210	421945000843	UI_TFT+SW CAD PLUS AND STYLE 230V ASSY	RI9600-RI9601 ⚠				
	421945006113	UI_TFT+SW CAD MILK 230V ASSY	RI9603 ⚠				
	421946501041	UI_TFT+SW CAD. PLUS AND STYLE 120V ASSY	RI9600-RI9601 ⚠				
	421946501031	UI_TFT+SW CAD. MILK 120V ASSY	RI9603 ⚠				
211	421945008041	KIT FRAME+TFT CAD	⚠				
212	421945003261	BLK UPPER KEYBOARD CAD.					
213	421945003251	BLK LOWER KEYBOARD S/SCR. CAD.					
214	421944025962	YLW WIRING GUIDE SEAL V2 CST/BT					
215	996530013156	SCREW TCB TORX 10 3X8 PLAST.ZN-B					
216	996530007819	SCREW TCBR TORX 10 3,5X12 PLAST.ZN-N					
217	421946034791	FLAT CABLE 10P.CPU-INTERF.UTENTE FTR UL	⚠				
218	996530073357	TEFL.TUBE 2X4 L=235+PLATE+2BUSH NPR ASSY					
219	421945003071	CHROM COFF.DISPENSER FRONT INSERT CAD.					

**GAGGIA®**

**GAGGIA CADORNA STYLE/PLUS/MILK**

TABLE 2/6

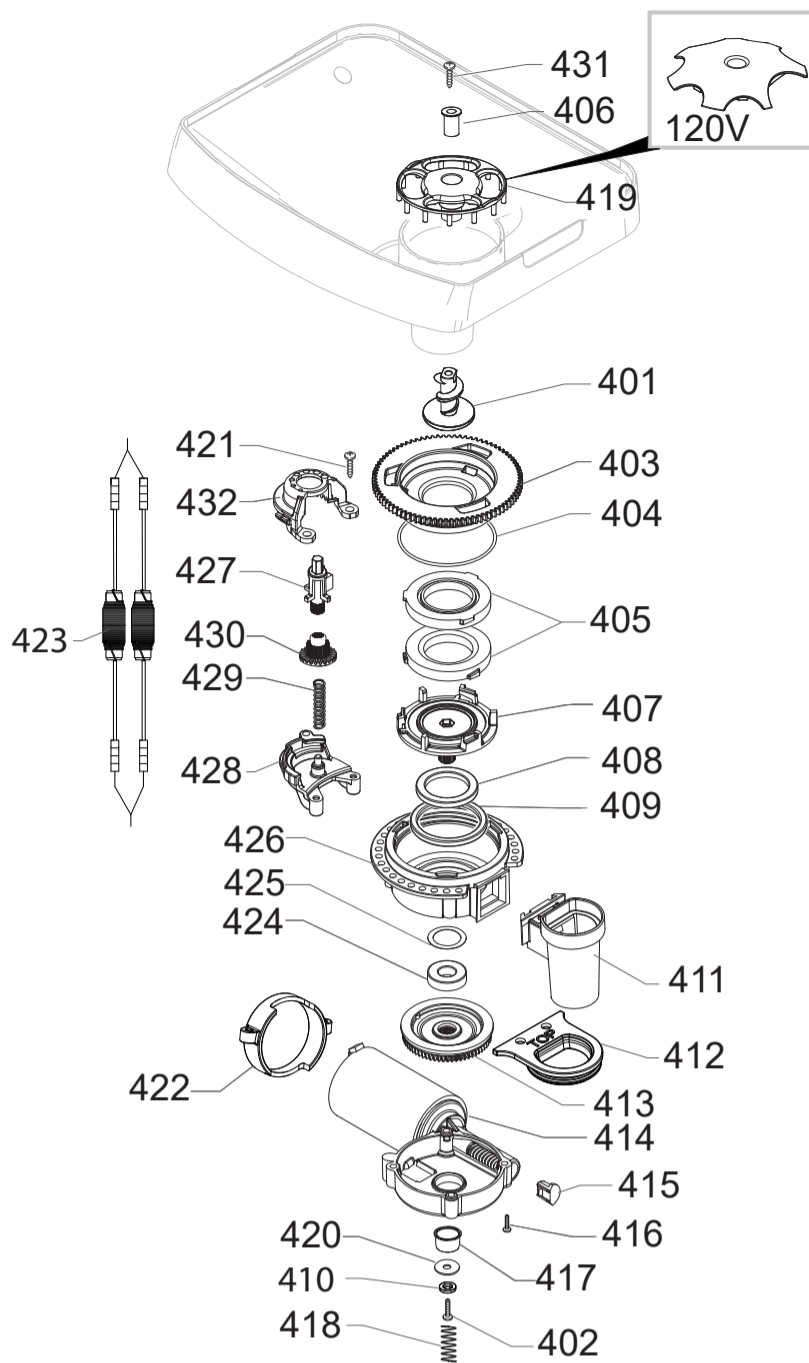


**GAGGIA®** RI9600/01-47 (SUP049)  
 RI9601/01-47 (SUP049E)  
 RI9603/01-47 (SUP049EP)



Cod.886960001010-886960047540  
 Cod.886960101010-886960147540  
 Cod.886960301010-886960347540

POS	12NC	DESCRIPTION	NOTE	POS	12NC	DESCRIPTION	NOTE
301	421944090341	2WAY PLASTIC VALVE D2 24V R2A	⚠	342	421944023812	BLK CAPPUC.CASING COVER V5 SMR/H ASSY.	RI9603
302	996530007819	SCREW TCBR TORX 10 3,5X12 PLAST.ZN-N		343	421944067741	TRANSP.CARAFE HGO/T SAN LURAN	RI9603
303	996530006914	BLK FORK FOR STEAM TUBE GXSM		344	421944063851	BLK CARAFE LID XS4/H	RI9603
304	421944028161	STEAM TUBE SUPPORT PPS P0057		345	421945006631	WHITE CONNECTOR FAST LOCK-SILICONE TUBE	
305	996530013509	OR ORM 0060-20 NBR FDA		346	421944093511	RUBBER BURN BLOCKS 6X32	
306	421945007511	BLK PA6 BUSH FOR STEAM TUBE 45 CAD		347	421945007551	1HOLE STEAM SPRAYER CAD PLUS	Only RI9601/47
307	421945007481	SS STEAM TUBE CAD ASSY	Except RI9601/47				
	421945007521	SS STEAM TUBE CAD PLUS ASSY	Only RI9601/47	421944079601	GEN.TUB.BOILER FTR/B 1900W 230V ASSY		COMPLETE ⚠
308	421941300671	BLK/SIL.STEAM TUBE HANDGRIP G0053	RI9600/01-47-RI9601/01		421944069101	GEN.TUB.BOILER V2 XS4 1300W 120V ASSY	COMPLETE ⚠
309	421944085601	BLACK PANNARELLO INTERNAL TUBE V2 P0049	RI9600/01-47-RI9601/01				
310	421944085161	BLACK PANNARELLO COVER V2 P0049	RI9600/01-47				
	996530000926	SS PANNARELLO COVER P0049	RI9601/01				
311	996530009523	TRANSPAR.10,5X12,3 SILICONE TUBE	IN ROLL				
312	996530068077	FLOW SELECTOR FAUCET NPR					
313	421944059391	WHT CONNECT.FAST LOCK 90 SILIC.TUBE PPS					
314	996530013564	OR 2015 SILICONE PTFE/FDA					
315	996530048885	SS FORK FOR TUBE D=4					
316	421941301142	BLK STEAM TUBE INSERT V2 SMR/H	RI9603				
317	421945003241	M/BLK READYINCAP	RI9603				
318	421941215942	BLK SLIM/EXSL TUB.BOILER SUPPORT V2					
319	996530069758	SCREW TCB TORX 20 M4X8 AUTOFORMING ZN-B					
320	262279998757	THERMOSTAT OPEN/CLOSE 190	⚠				
321	996530000997	TUB.BOILER V3 UPPER THERM.FIXING SPRING					
322	996530008024	SCREW TSP TORX 10 5X20 PLAST.ZN-B					
323	421944028841	TUB.BOILER XS4 ASSY.	230V-1900W ⚠				
	421944046121	TUB.BOILER XS4 ASSY.	120V-1300W ⚠				
324	996530068178	L-F/BR.SAFETY VALVE 16-18 BAR ASSY.					
325	996530018056	BLACK TYPE ULKA PUMP W/BEVEL SUPPORT					
326	421941305991	ULKA PUMP EP5FMGW	230V-50HZ ⚠				
	421944081531	ULKA PUMP EFP5/S	120V-60HZ ⚠				
327	996530074282	2P.CONN.PUMP SMR UL ASSY.	⚠				
328	996530073488	3P.CONN.FLOWMETER SMR UL ASSY.	⚠				
329	996530059843	TURBINE D=1,2 932-8521/00 ASSY.	⚠				
330	996530007742	OETIKER CLAMP D=9,5 15400022	⚠				
331	996530026997	TEMPERATURE SENSOR NTC UL L=280MM	⚠				
332	421941284802	GRY BOILER INSULATING COVER NPR					
333	996530002093	S/TUBE 5X10 60SH	L=1 METRE				
334	996530009505	5X8,9 SILICONE TUBE	IN ROLL				
335	421944023801	BLK CAPPUC.V3 SMR/H ASSY.	RI9603				
336	996530059392	O-RING 106 RED SILICONE	RI9603				
337	421941301121	BLK CAPPUC.CASING COVER RING SMR/H	RI9603				
338	421941301131	BLK CAPPUC.CASING SEAL SMR/H	RI9603				
339	996530051237	SILICONE TUBE 3,5X6 L=350 MM DS	RI9603				
340	421944086351	BLK CONNECTOR 90 V2 FOR SPHERIC.CAPPUC.	RI9603				
341	421944022461	BLK CAPPUC.CASING V3 SMR/H	RI9603				



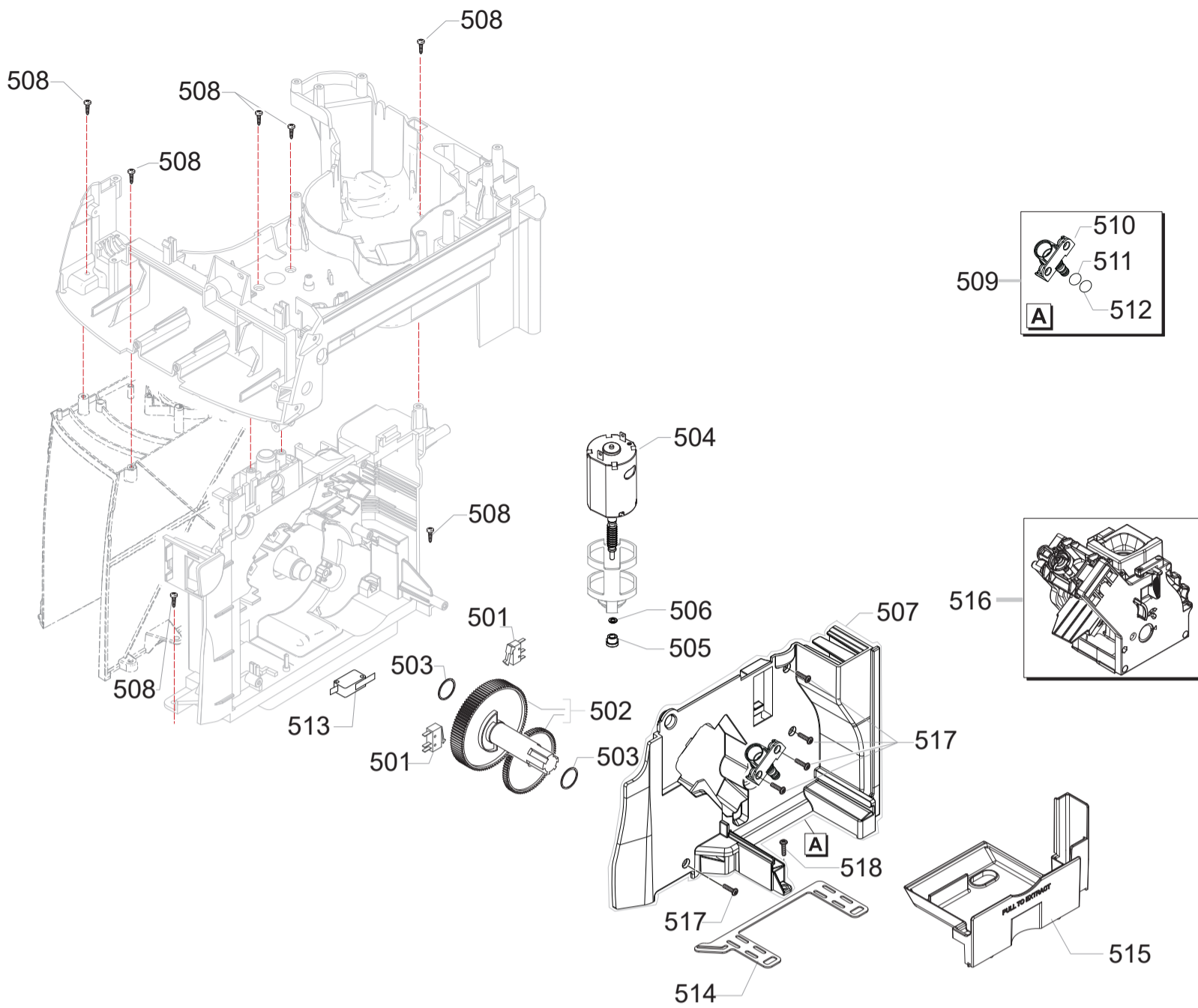
**GAGGIA®**

**RI9600/01-47 (SUP049)  
RI9601/01-47 (SUP049E)  
RI9603/01-47 (SUP049EP)**



**Cod.886960001010-886960047540  
Cod.886960101010-886960147540  
Cod.886960301010-886960347540**

POS	12NC	DESCRIPTION	NOTE	POS	12NC	DESCRIPTION	NOTE
401	421944032692	GRIVORY INCREASE SCREW GRINDER V2					
402	996530012928	SCREW TCB TORX 20 M4X30 ZN-B					
403	421941094152	BLK COF.GRINDER UPPER GRINDER SUPPORT V2					
404	996530013577	OR ORM 0530-15 NBR FDA					
405	421944078641	MACINA PIANA 48X28 IN CERAMICA COORSTEK					
406	996530006412	BRASS BUSH BEAN CONT.FINGER PROTEC.P0057	230V				
407	996530017952	BLK LOWER COFFEEGRINDER GRINDER SUPPORT					
408	996530011183	AXIAL BEARING EKKO 342.35252					
409	996530013597	FELT RING 45,4X39,4X4					
410	996530012341	GALV.WASHER UNI 8842 A4					
411	996530068049	BLK GROUND COFF.OUTLET CONVEYOR V4 ASSY.					
412	421944060561	GRY GROUND COF.CONT.LOWER SEAL V2 SMART1					
413	996530029609	GEAR SX Z=38 FOR GRINDER MOTION ASSY.	230V				
	421945006091	GRY GEAR SX Z=38 FOR GRINDER MOTION	120V				
414	421944049151	MOTOR COFFEEGRINDER V3.2 230V ASSY.	230V ⚠				
	421944084071	MOTOR COFFEEGRINDER V3.2 WZN 120V ASSY	120V ⚠				
415	996530018139	MC V3 MOD=1,25 WORM SCREW CENTRING CAP					
416	996530012992	SCREW TCB TORX 3,5X30 PLAST.ZN-B					
417	996530001389	INSULATOR BUSH FOR GRINDER MOTOR P124					
418	996530000376	COFFEE GRINDER SUPPORT SPRING P124					
419	996530007058	BLK V2 BEAN CONTAIN.FINGER PROTECT.P0057	230V				
	421944001511	TRANS.BEAN CONT.FINGER PROTECT.V3 NPR UL	120V				
420	996530012375	STEEL FLAT WASHER DI=4,3 DE=14 SP=1,5					
421	996530013165	SCREW TCB TORX 10 3,5X16 PLAST.ZN-B					
422	421941142172	BLK COFFEEGRINDER MOTOR SUPP.P124 V2					
423	421946035831	2 POLES CONN. GRINDER MOTOR FTR UL	⚠				
424	996530011182	RADIAL BEARING 61900.2RS1					
425	996530012374	STEEL CRINKLE WASHER 21,8X14X0,25					
426	996530015258	BLK UPPER BODY WITH COFFEE GROUND OUTLET					
427	421944025161	YLW BEAN COFFEE GRINDER INSERT SMR					
428	996530001314	LOWER COFFEEGRINDER GEAR SUPPORT P124					
429	996530001308	COFFEEGRINDER REGULATION SPRING P124					
430	996530001907	COFFEE GRINDING ADJUSTMENT GEAR P0049					
431	996530012992	SCREW TCB TORX 3,5X30 PLAST.ZN-B					
432	996530001296	UPPER COFFEEGRINDER GEAR SUPPORT P124					
	421945009061	GEN.MOTOR COF.GRINDER CAD 230V ASSY	230V ⚠				
	421944084051	GEN.MOTOR COF.GRINDER FTR/B 120V ASSY	120V ⚠				

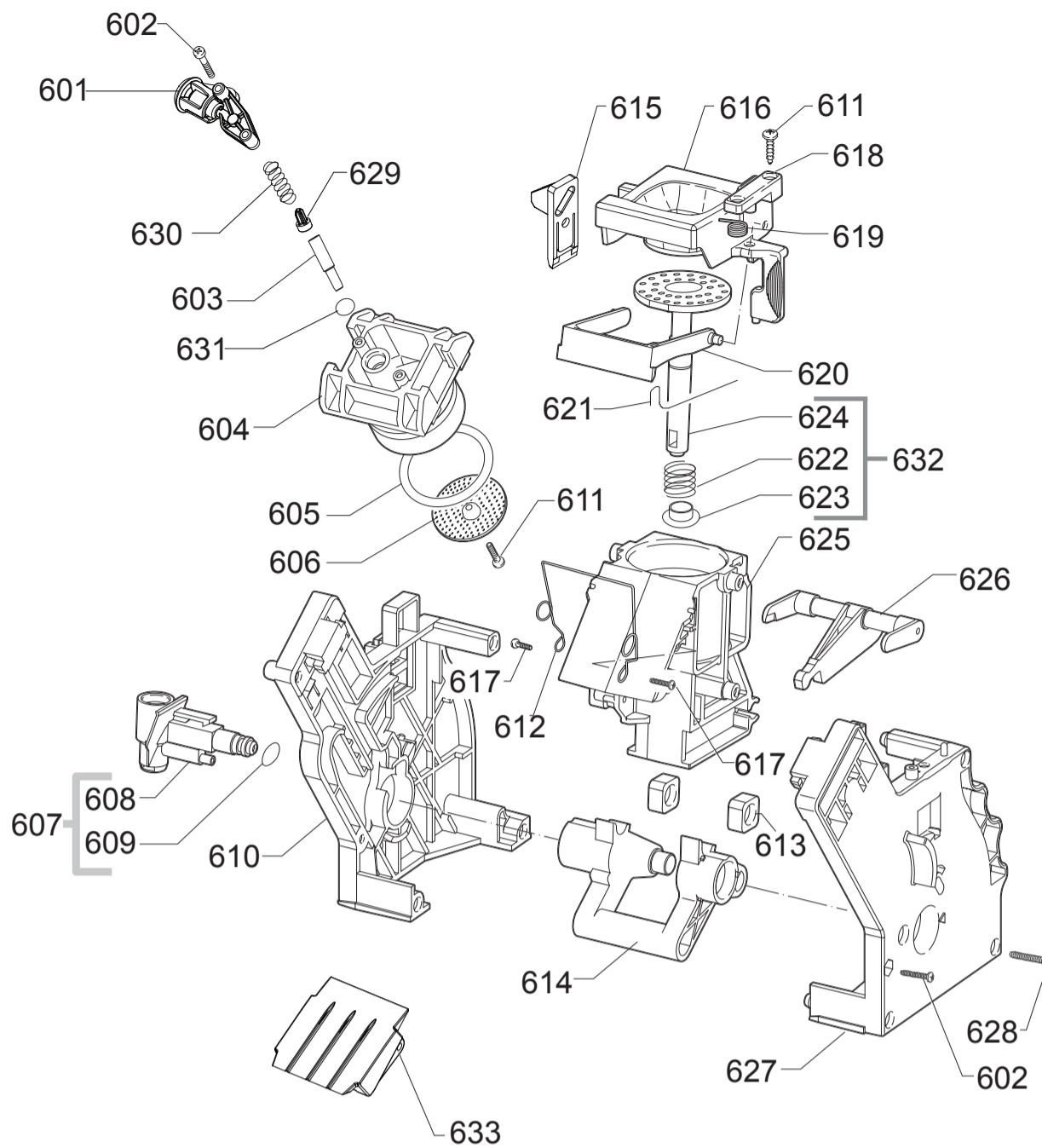


**GAGGIA®** RI9600/01-47 (SUP049)  
 RI9601/01-47 (SUP049E)  
 RI9603/01-47 (SUP049EP)



Cod.886960001010-886960047540  
 Cod.886960101010-886960147540  
 Cod.886960301010-886960347540

POS	12NC	DESCRIPTION	NOTE	POS	12NC	DESCRIPTION	NOTE
501	421946046491	MICRO+REED+MOTOR BREWUN.V10 NPR UL ASSY	⚠				
502	996530009913	SPARES KIT GEARS FOR RATIOMOTOR V2					
503	996530050569	MYLAR WASHER FOR RATIOMOTOR					
504	996530002796	MOTOR FOR RATIOMOTOR P124 ASSY.	⚠				
505	996530049898	BRONZE SINTERED BUSH FOR MOTOR RATIOMOT.					
506	996530017424	BAKELIZZATE WASHER D=5,5					
507	996530001899	BLK RATIOMOT.MOUNTING PLATE COVER P0057					
508	996530007819	SCREW TCBR TORX 10 3,5X12 PLAST.ZN-N					
509	421944060181	PIN FOR FLOW SEL.FAUCET V2 PPS P0057 AS					
510	421944059371	PIN FOR FLOW SELECT.FAUCET PPS V2 P0057					
511	996530059399	OR ORM 0090-20 SILICONE					
512	996530059419	OR ORM 0050-20 IN SILICONE					
513	421946000111	DOOR MICROSWITCH V3 NPR UL ASSY.	⚠				
514	996530072515	BLACK SEAL FOR RATIOMOTOR PLATE NPR					
515	996530068732	GREY BREW UNIT DRAWER COFFEE NPR					
516	421944085731	GRUP.CAF.8GR.5BAR V2 FTR/B NER.					
517	421944016761	SCREW TCBR TORX 10 3,5X12 PLAST.ZN-NI					
518	996530007819	SCREW TCBR TORX 10 3,5X12 PLAST.ZN-N					



**GAGGIA®**

**RI9600/01-47 (SUP049)  
RI9601/01-47 (SUP049E)  
RI9603/01-47 (SUP049EP)**



**Cod.886960001010-886960047540  
Cod.886960101010-886960147540  
Cod.886960301010-886960347540**

POS	12NC	DESCRIPTION	NOTE	POS	12NC	DESCRIPTION	NOTE
601	421944065222	BLK BREW UNIT COF.OUT.SLEEVE V2 SMR ASSY					
602	996530007838	SCREW TCB TORX 10 3X25 PLAST.SS					
603	421944079291	BLK BREW UN.COUNTER PISTON TUBE V2 S0053					
604	421944079991	BLK BREW UNIT 8GR.COUNTER PISTON V2 P124					
605	996530059406	OR ORM 0320-40 RED SILICONE PTFE/FDA					
606	996530050709	PERCOLATOR DE=35,8 ELFO					
607	-	PARTICULAR NOT AVAILABLE					
608	421944050641	BREW UN.WATER INLET SLEEVE V2 SMR					
609	996530059441	OR 2025 NBR FDA					
610	996530050832	BLK BREW UNIT REAR PLATE SMART					
611	996530007951	SCREW TSP TORX 10 3X10 PLAST.SS					
612	421944025811	SS BREW UNIT SPRING H=49 PK					
613	996530050539	BLK BREW UNIT DRILLED BLOCK					
614	421944079201	YLW BREW UNIT ELBOW SHAFT V2 M5000					
615	421944046932	YLW BREW UNIT COUPLING PLATE V3 SMART					
616	996530018241	BLK BREW UNIT SMART1 HOPPER DOSER					
617	996530013148	SCREW TCB TORX 10 3,5X14 PLAST.SS					
618	996530050829	BLK BREWUNIT HOPPER BLOCKING PLATE SMART					
619	996530050838	SS BREW UNIT HOPPER SPRING SMART					
620	421944079261	BLK BREW UNIT SCRAPER V2 M5000					
621	996530050455	SS BREW UNIT SCRAPER SPRING					
622	996530050627	SS BREW UNIT 8GR.PISTON SPRING					
623	996530050618	WHT BREW UNIT 8GR.-12GR.PISTON BUSH					
624	421944079491	GRY BREW UNIT INTEGR.PISTON 8GR.V4 ASSY					
625	421944079431	BLK COF.CONTAIN.BREW UNIT V4 M5000 ASSY					
626	996530001452	BLK BREW UNIT 8GR.CONNECTING ROD					
627	996530003228	BLK BREW UNIT FRONT PLATE S/SCR.SMART					
628	996530007953	SCREW TCB TORX 10 3,5X20 PLAST.SS					
629	421944081491	BREW UNIT VALVE FTR/B					
630	996530050657	SS.CONICAL SPRING					
631	996530059489	OR ORM 0060-10 NBR					
632	421944065811	GRY BREW UNIT 8GR.INT.PISTON GEN.V3 ASSY					
633	421944079341	BLK BREW UNIT CONVEYOR SLIDE L=56,3 V2					
	421944085731	BLK/YLW BREW UNIT 8GR.5BAR V2 FTR/B					