

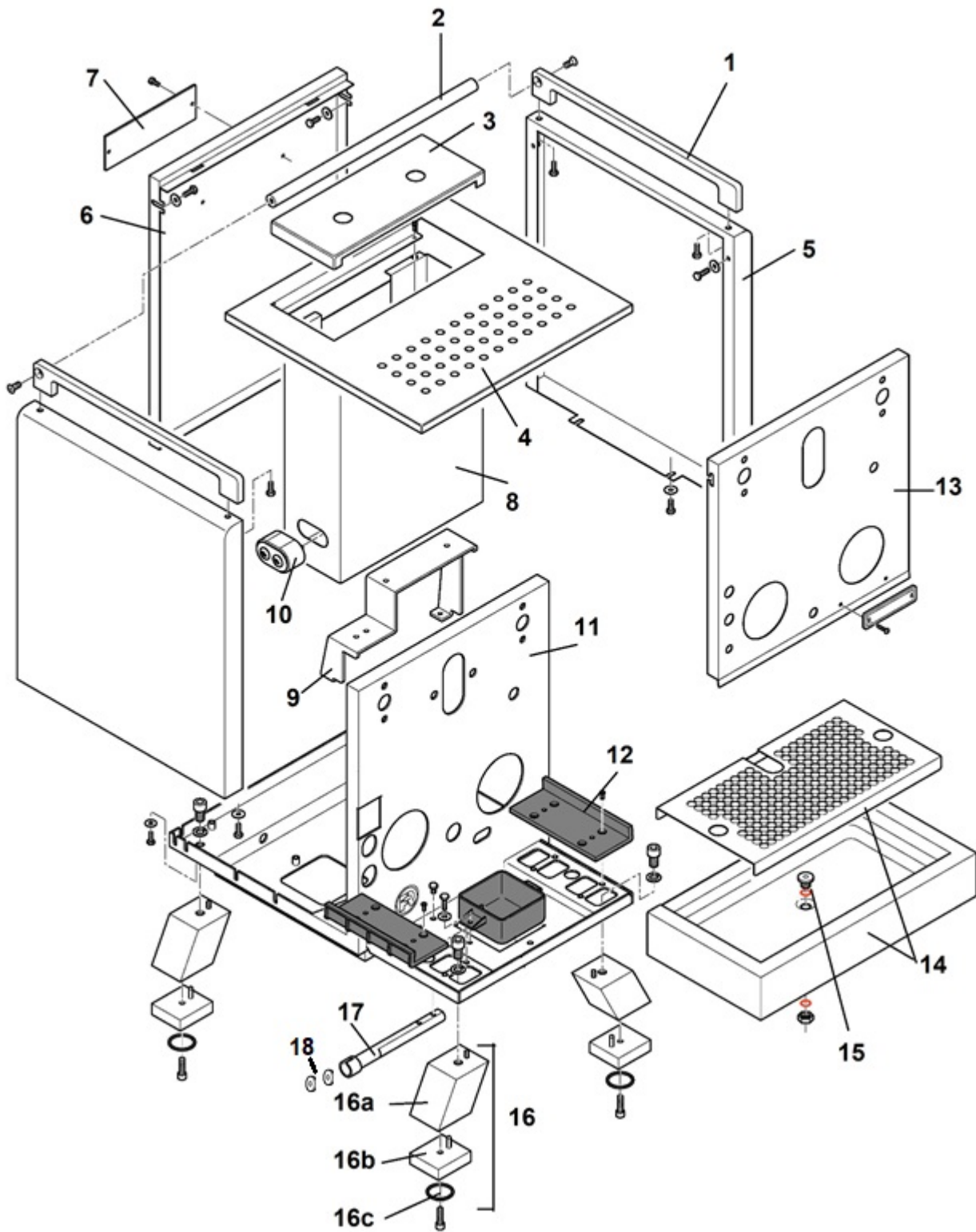


# **R CINQUANTOTTO**

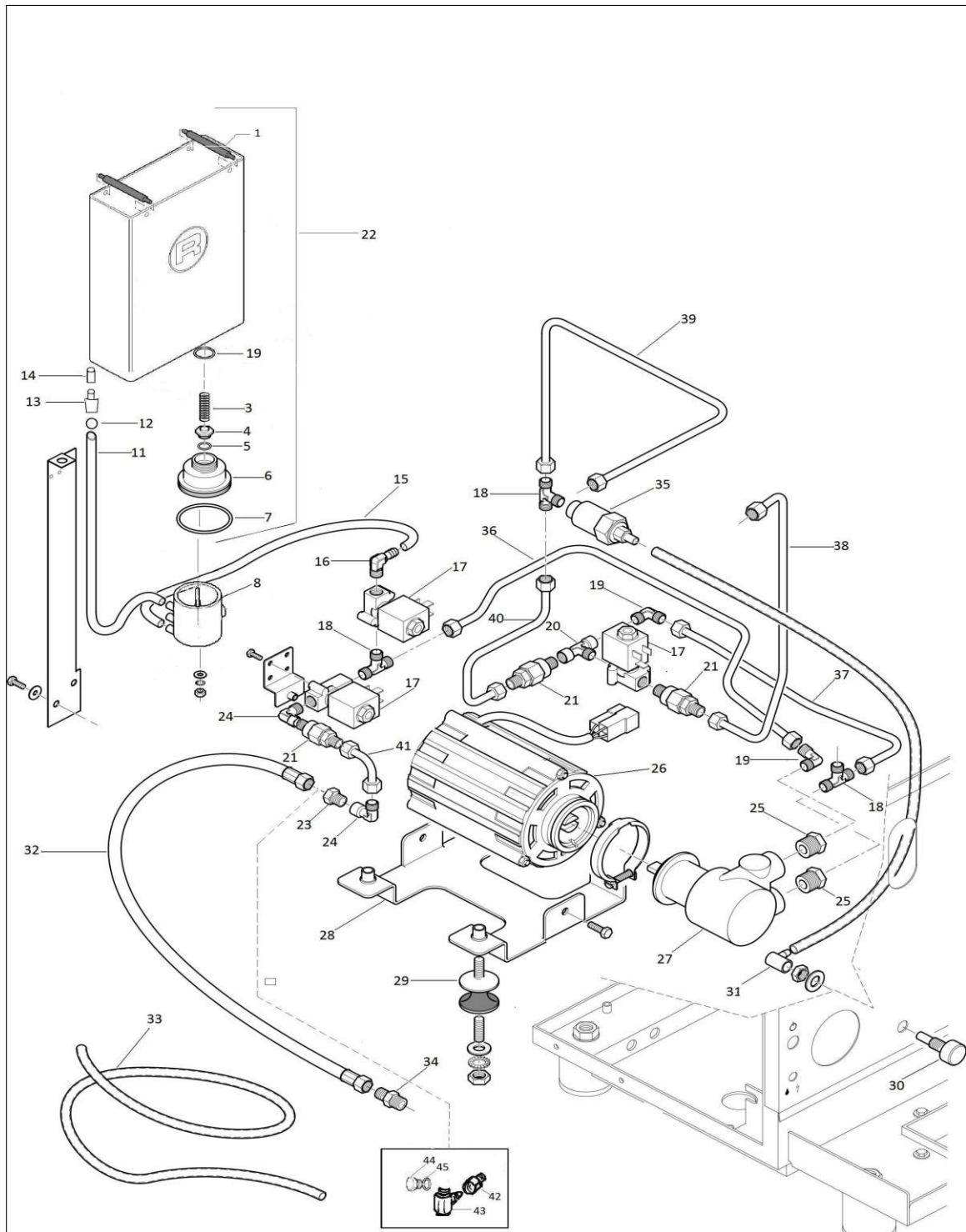
**Espresso Machine**

**Spare parts**

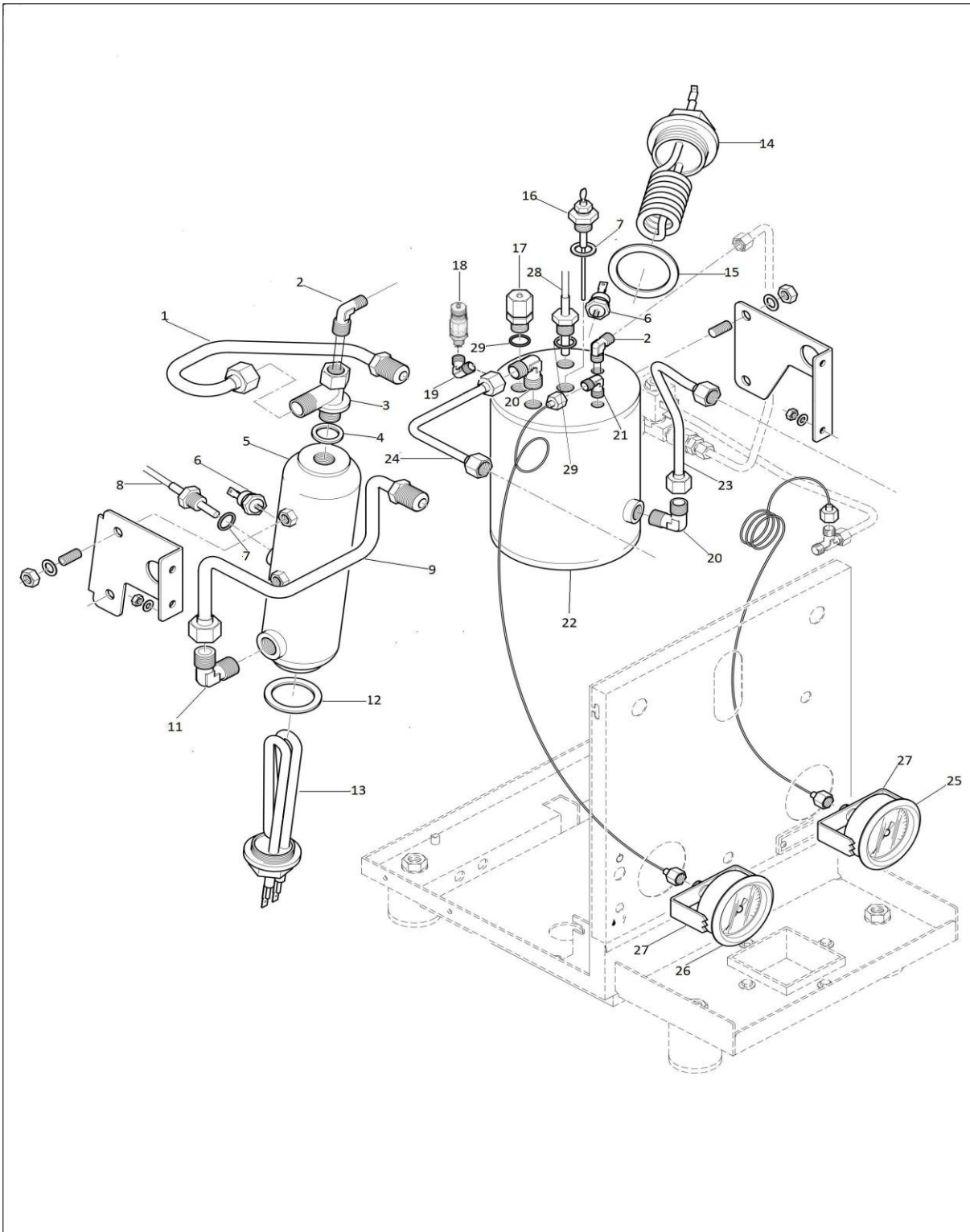
**catalogue Ed. 10.2020**



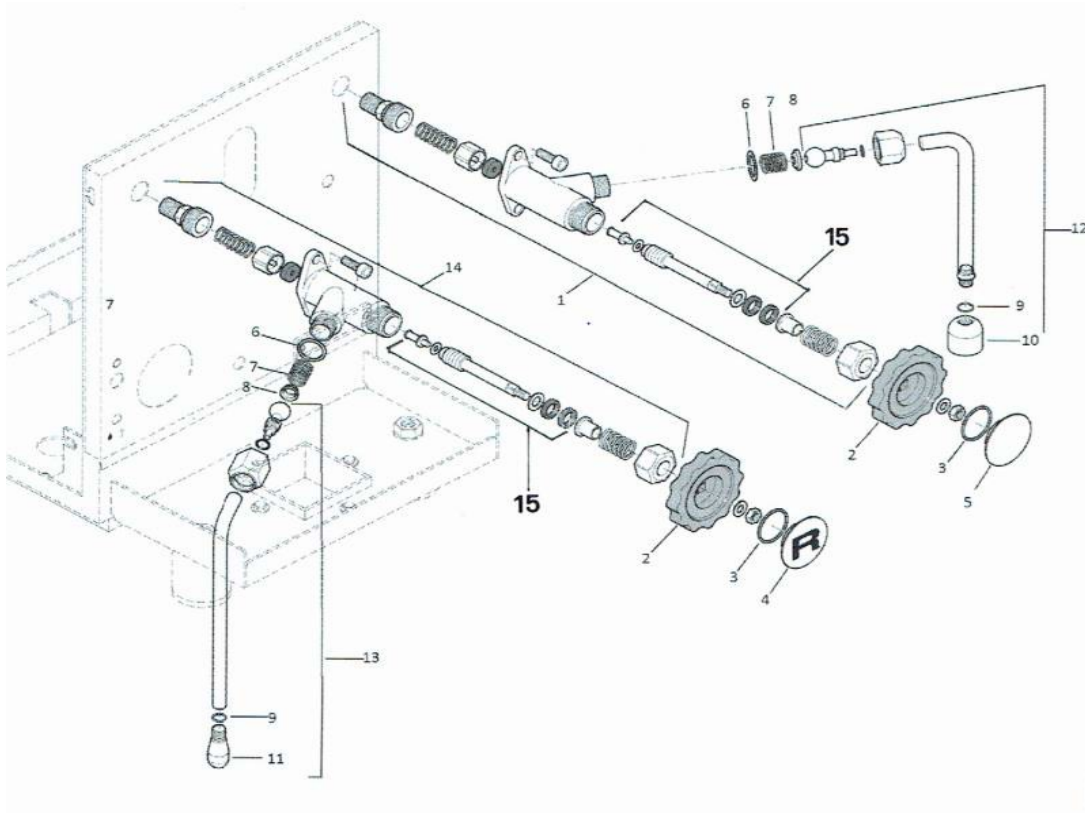
<b>P o s.</b>	<b>Code Nr.</b>	<b>Description</b>	<b>Euro</b>	<b>Notes</b>
1	A619906932	Cups frame		
	A611006932	Cups frame engraved		
2	A059906933	Cups frame rod		
3	C01L000382	Tank cover		
4	A019906929	Cups warmers		
5	A019906927	Lateral panel		
6	A019906928	Back panel		
7	A859904400	Back rocket lable		
8	A019904656	Tank guide		
9	A019906937	Tank guide bracket		
10	R839907128	Water control system		
11	A019906926	Chassis		
12	A439905130	Basin guide		
13	A011006823	Front panel		
14	RA99906574	Drain basin		Composed by: grid (A019906573 ) + basin (r011006574)
15	A229904512	Drain basin cap		
16	A059907027	Complete foot		
16a	A011006823	Upper foot		
16b	A059906953	Lower foot		
16c	A449906954	Foot o-ring		
17	A519906923	Support display		
18		Couple of magnet		



Pos.	Code Nr.	Description		Notes
1	A639904956	Water tank handle		
3	C019900711	Water tank spring		
4	C430003482	Connector		
5	C449900702	O ring		
6	A439905146	Coupling		
7	A449904547	O ring		
8	R899906970	Manifold		
8a	C520003483	Opening valve rod		till Sn D1314R581793 (use with 8 and 8b)
8b	C449901159	O ring		till Sn D1314R581793 (use with 8 and 8a)
11	C260003822	6 x 9 Silicon pipe		
12	C430003819	Valve ball		
13	C220003818	Non return connector		
14	C400001928	4 x 7 Silicon pipe		
15	C499900769	5 x 8 Silicon pipe		
16	A229904511	Silicon pipe holder		
17	C190004066	Solenoid valve V230		
17 A	C190004067	Solenoid valve V115		
18	A229904358	1/8 T Connector M		
19	A449905151	O ring		
20	C229900703	1/8 T Connector FMF		
21	C229900540	Non return valve		
23	A229905086	1/8 MF Reduction		
24	A229904445	1/8 L Connector MF		
25	A229904356	3/8 - 1/8 MF Reduction		
26	A199904493	Pump motor V230		
26 A	A199904494	Pump motor V115		
27	A299904495	Volumetric pump		
28	A009904447	Motor bracket		
29	A499904364	Motor shock absorber		
30	A227704363	Expansion output		
31	C449900709	Rubber connector		
32	A299904390	Direct water connection hose		
33	M499904824	9 x12 Silicon pipe		
34	A229904374	3/8 M-1/8 M Connector		
34 USA	A229905211	3/8 F-1/8 M Connector		
34 USA	A229905212	3/8 M - 9/16 M Connector		
35	C229900911	Expansion valve		
36	A279904642	Pipe		
37	A279904643	Pipe		
38	A279904644	Pipe		
39	A279906955	Pipe		
40	A279906956	Pipe		
41	A279904353	Pipe		
42	A220004313	Water inlet connector		
43	A229904349	Svivel connector		
44	A229904548	1/8 Plug		
45	A469904549	Teflon gasket 1/8		
22	R899906849	Water tank complete		



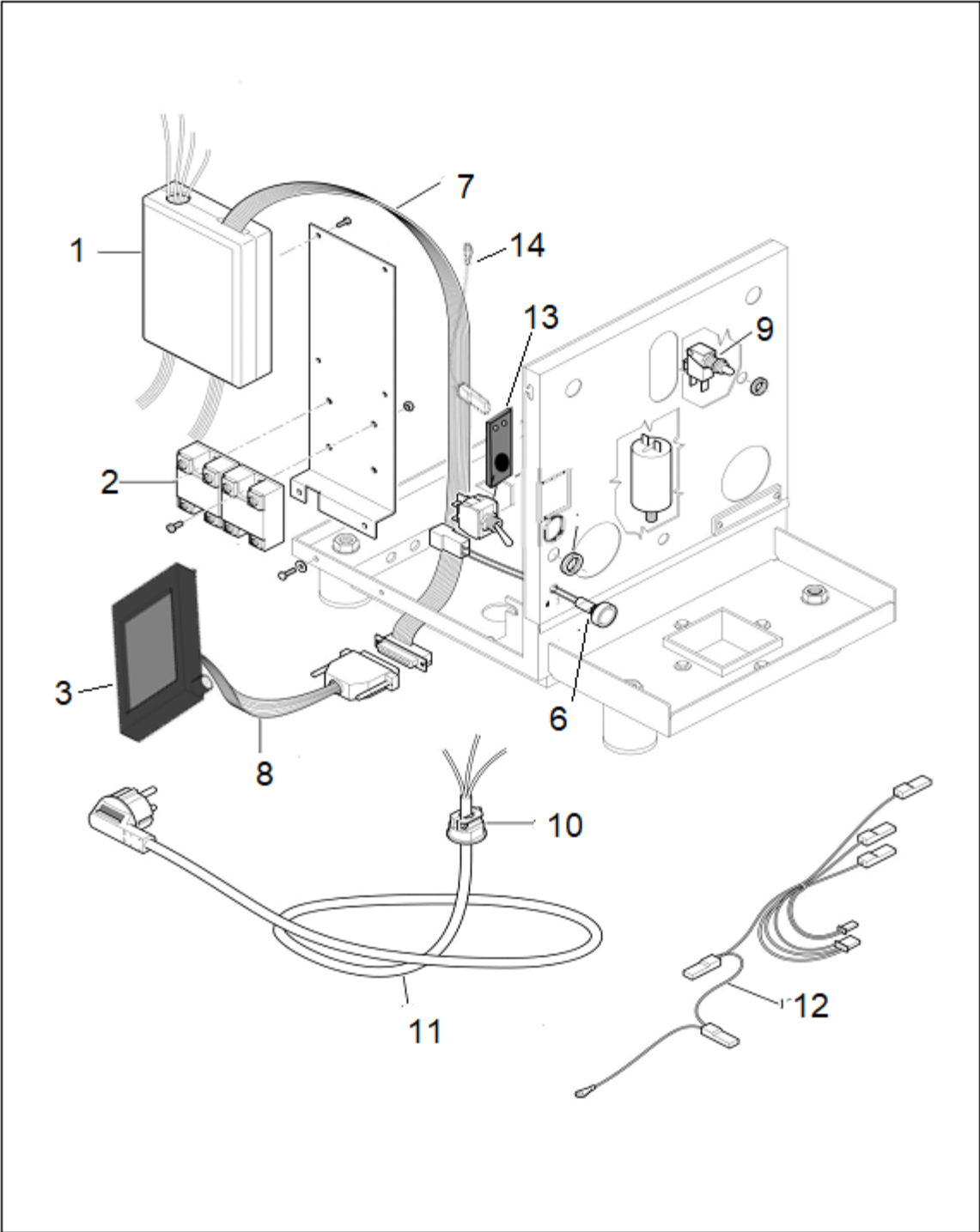
<b>P o s .</b>	<b>Code Nr.</b>	<b>Descri ption</b>		<b>No tes</b>
1	A279905173	Inlet pipe w. 3 mm restrictor		
2	C229900393	Injector		
3	C229900740	Connector		
4	C479900673	Copper gasket		
5	A270004558	Coffee boiler		
6	C199901550	Thermostat 135C		
7	A449905175	OR Viton 114		
8	A119905081	NTC Probe		
9	A279904641	Return pipe		
11	A229904957	L Connector 3/8 MM		
12	C469900239	Heating element gasket		
13	A199905013	Heating element V230		
13 A	A199905014	Heating element V115		
14	A110004667	Heating element V230		
14 A	A110004668	Heating element V115		
15	A269904671	Heating element gasket		
16	A199905078	R58 Service boiler probe		
17	A219905510	Vacuum breaker valve		
18	A229905084	Safety valve 1.8		
19	A229904680	3/8 L Connector MF		
20	C229900525	1/4 L Connector MM		
21	A229904355	1/8 L Connector MM		
22	A270004559	Service boiler		
23	A279904645	Hot water pipe		
24	A279904646	Steam pipe		
25	A299904663	Pump pressure gauge		
26	A299904662	Boiler pressure gauge		
27	M009904997	Pressure gauge support		
28	A119905081	NTC Service boiler probe		
29	A269904417	Teflon gasket		



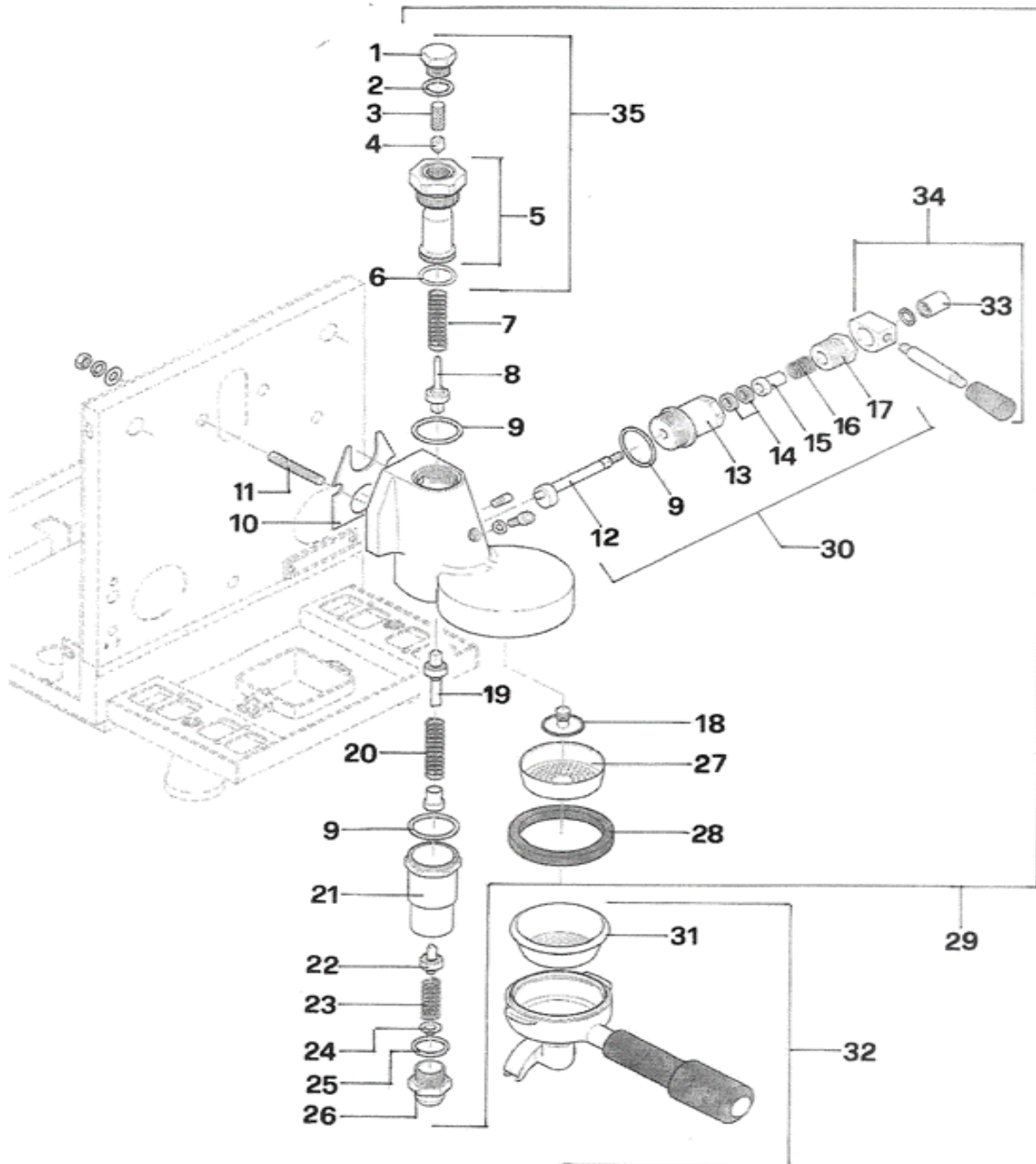
**Steam and hot water assembly**

Pos.	Code	Description	Notes
1	A227704669	Hot water valve	
2	A639905816	Steam/hot water valve handle	From serial # D1540R58
3	A449904672	O-ring	
4	A529R04649	Steam cover handle	
5	A527704649	Hot water cover handle	
6	A449904331	Teflon gasket	
7	A209904332	Spring	
8	A229904333	Plate	
9	C400002022	O-ring	
10	R299905217	Hot water nozzle	
11	A899905091	Steam tip 1.5	
11a	A899905092	Steam tip 1.2	
12	A219904650	Hot water wand complete	
13	A219904651	Steam wand complete	
14	A227705093	Steam valve	
15	R229905676	Valve rod (compl. assembly kit)	15,25





P os .	Code Nr.	Des crip tion		Notes
1	A199906962	Control Box V230		
2	A190004666	Relay		
3	A199906960	TFT Display complete		
4	A199905198	Microswitch		
5	A529904989	Nut		
6	A139904519	Green lamp		
7	A199906957	Flat cable connection to board		
8	A199904674	Conn. cable board to display		till Sn D1233R584657
8	A199906959	Calble machine to display		from Sn D1233R584657
9	A199905198	Microswitch		
10	C439900086	Cordlock		
11	C199900957	CE Power cord		
11	A199904518	IS Power cord		
11	A199904616	KR Power cord		
11	C199900958	UL Power cord		
11	C199901115	AUS/NZ Power cord		
11	C199901116	GB Power cord		
11	C199901510	CH Power cord		
12	A199906960	Wiring loom		
13	A199906642	OLED Display		
14	A199906958	OLED Display cable		



Po s.	#	Description	Notes
1	A229904391	Rounded nut	
2	C469900420	Gasket	
3	C619900554	Filter	
4	C229900549	Restrictor 0,8	
6	C469900422	Green gasket	
7	A999905754	Spring	
8	R229905608	Valve	
9	C469900421	Teflon gasket	
10	C449900767	Gasket	
11	A319904599	Screw	
12	R229905238	Shaft	
13	R000002142	Flange	
14	C219900426	Gasket	
15	R000002143	Support	
16	C219900427	Spring	
17	R000002144	Cover	
18	C229901228	Diffuser	
19	R229905239	Valve	
20	A999905754	Spring	
21	C229901165	Cylinder	
22	R229905609	Valve	
23	R299905958	Spring	
24	R000002148	Connector	
25	C469900783	Gasket	
26	R000002149	Connector	
27	C519900103	Shower foil	
28	C449900229	Group gasket	
29	C200002983	Group complete	
30	R299905887	Cam kit	
31	C610003902	7 g filter basket	
	C610003901	14 g filterbasket	
	C619900106	Backflush cap ("blind filter")	
32	A699905020	1 cup filter holder with basket	
	A699905021	2 cups filter holder with basket	
33	R000002146	Pin	
34	R299905888	Lever assembly	
35	RA99905814	Ceramic group shaft	

35	C200002983	Group complete	€ 236,25
----	------------	----------------	----------