

**BEZZERA**

Dal 1901

**BB005**

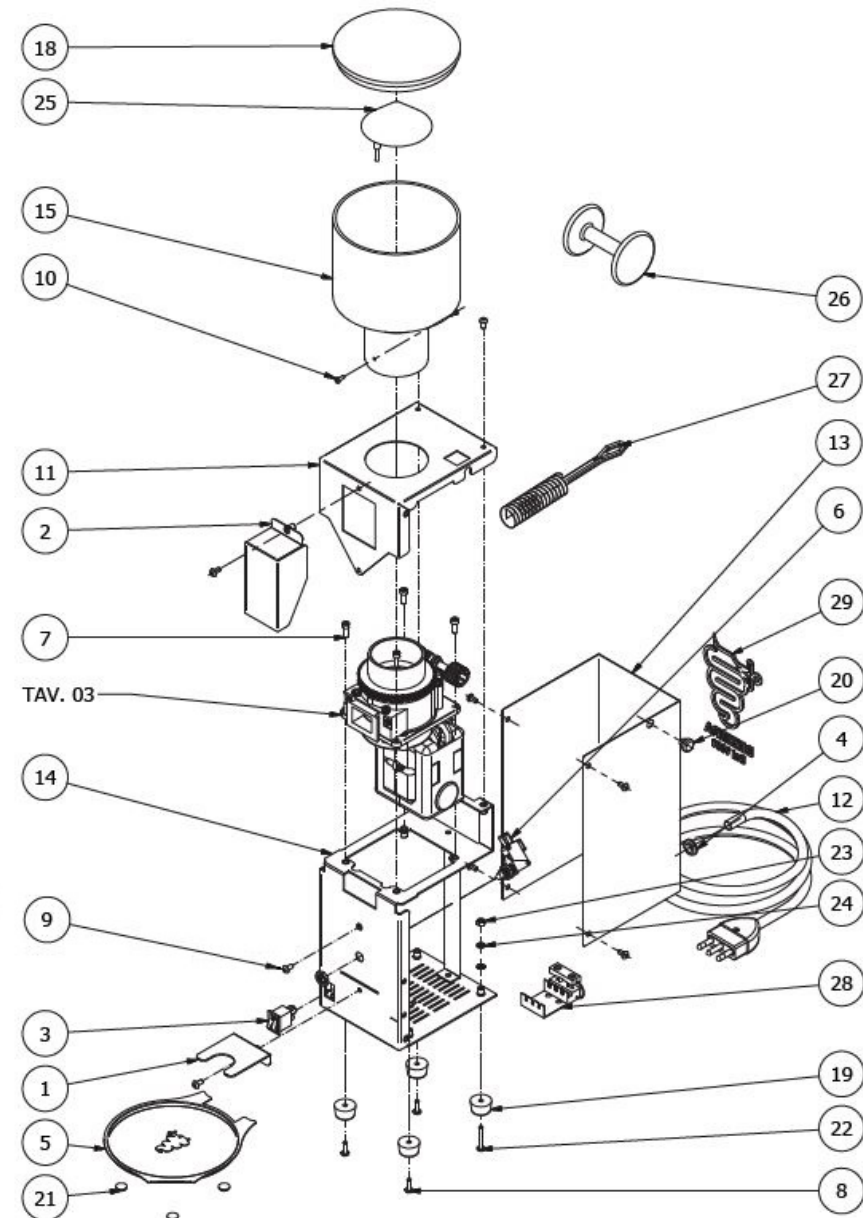
**COD. 9942045.06**

**REV. 00 ed.07/14**



TABLE 1 - (up to 31/12/2009)  
BB005NR

| POS | CODE         | DESCRIPTION                         | PRICE |
|-----|--------------|-------------------------------------|-------|
| 1   | 5097809.01LL | FILTER HOLDER BRACKET               | 1.86  |
| 2   | 5340008LL    | SLIDE COMPLETE FOR BB005TM W/COMP.  | 3.61  |
| 3   | 7633333      | SWITCH                              | 1.69  |
| 4   | 7613007      | FAIRLEAD M17V 3121145 RUBBER        | 0.14  |
| 5   | 5070651LW    | TRAY                                | 5.96  |
| 6   | 7633906      | MICROSWITCH 250V                    | 3.84  |
| 7   | 7816002      | SCREW TCEI M4X12 UNI 5931 A2        | 0.07  |
| 8   | 7819901      | SCREW TTEI M4X12 ISO 7380 A2 INOX   | 0.07  |
| 9   | 7819908      | SCREW TTEI M4X8                     | 0.03  |
| 10  | 7818002      | TAPPING SCREW TB D2.9 X 9.5 UNI 695 | 0.04  |
| 11  | 5071731LL    | COVER                               | 0.00  |
| 12  | 7552001      | ELECTRIC CABLE WITH AUSTRALIAN PLUG | 7.48  |
| 12  | 7551001      | ELECTRIC CABLE WITH USA PLUG L=1.5M | 7.48  |
| 12  | 7551003      | CABLE WITH USA PLUG 250V 20A        | 10.16 |
| 12  | 7555001      | ELECTRIC CABLE WITH SHUKO PLUG      | 7.48  |
| 12  | 7555003      | SWISS PLUG CABLE H05VV-F 3X1,5 10A  | 3.09  |
| 12  | 7554001      | ELECTRIC CABLE WITH ENGLISH PLUG    | 7.48  |
| 13  | 5071730LW    | BODY STAINLESS STEEL SATINED        | 0.00  |
| 14  | 5340007LL    | MOTOR SUPPORT                       | 0.00  |
| 15  | 5963095R     | HOPPER WITH SPACER BB005            | 19.10 |
| 18  | 0BDF1        | COVER FOR HOPPER 0,25 KG.           | 2.30  |
| 19  | 1R9009950    | FEET                                | 0.00  |
| 20  | 1R9001804    | PLUG                                | 0.00  |
| 21  | 7999904      | ADHESIVE RUBBER TOP                 | 0.19  |
| 22  | 7819911      | SCREW TTEI M4X25 INOX               | 0.12  |
| 23  | 7822603      | NUT M4 OT                           | 0.03  |
| 24  | 7814001      | WASHER D4 DIN 6798A A2              | 0.03  |
| 25  | 0BEB04CG     | SAFE-FINGER CAP GREY WITH MAGNET    | 5.19  |
| 26  | 5373001      | COFFEE-PRESS ABS                    | 1.35  |
| 27  | 7990608      | BRUSH FOR GRINDER BB005             | 0.98  |

TABLE 1 - (up to 31/12/2009)  
BB005NR

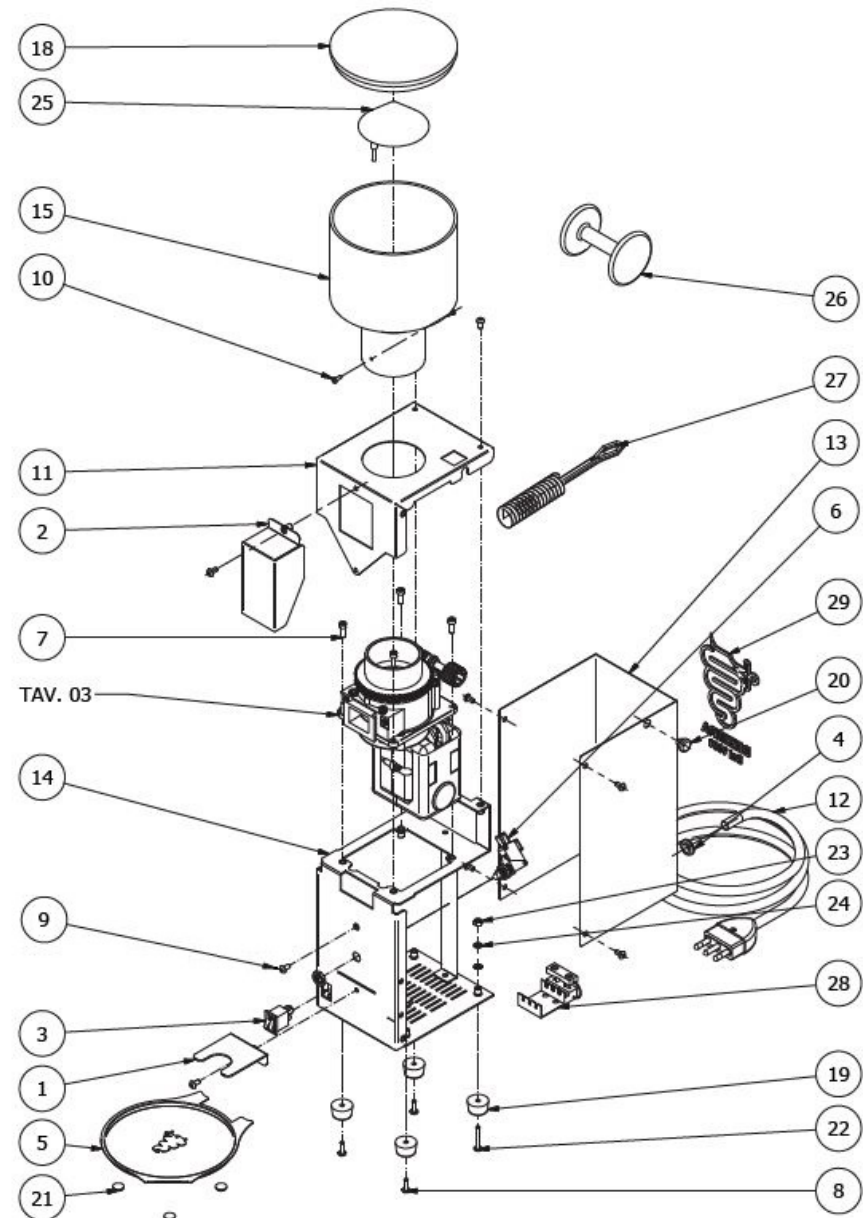
**BEZZERA****BB005**

TABLE 1 - (up to 31/12/2009)  
BB005NR

| POS | CODE    | DESCRIPTION   | PRICE |
|-----|---------|---------------|-------|
| 28  | 7370502 | CLAMP HOUSING | 0.55  |
| 29  | 5522502 | LABLE BEZZERA | 1.86  |

**BEZZERA****BB005**

TABLE 1 - (up to 31/12/2009)  
BB005NR



**BEZZERA**

**BB005**

TABLE 1 - (up to 16/09/2010)  
BB005NR

| POS | CODE         | DESCRIPTION                         | PRICE |
|-----|--------------|-------------------------------------|-------|
| 1   | 5097809.01LL | FILTER HOLDER BRACKET               | 1.86  |
| 2   | 5340008.01   | NOZZLE                              | 0.00  |
| 3   | 7633333      | SWITCH                              | 1.69  |
| 4   | 7613007      | FAIRLEAD M17V 3121145 RUBBER        | 0.14  |
| 5   | 5070651LW    | TRAY                                | 5.96  |
| 6   | 7633906      | MICROSWITCH 250V                    | 3.84  |
| 7   | 7816002      | SCREW TCEI M4X12 UNI 5931 A2        | 0.07  |
| 8   | 7819908      | SCREW TTEI M4X8                     | 0.03  |
| 10  | 5071731.01LL | COVER                               | 0.00  |
| 11  | 7555001LL    | CABLE H05VV-F 3X1.5 SP.SCHUKO W/FAS | 3.30  |
| 11  | 7551001LL    | CABLE SJTO 3X14AWG USA PLUG         | 8.36  |
| 11  | 7551003LL    | CABLE SJTO 3X12AWG USA PLUG         | 10.23 |
| 11  | 7552001LL    | CABLE H05VV-F 3X1 AUSTR.PLUG        | 3.61  |
| 11  | 7555003LL    | CABLE W/SWITZERLAND PLUG H05VV-F 3X | 3.28  |
| 11  | 7554001LL    | CABLE H05VV-F 3X1 SP.INGL.W/FAST    | 7.48  |
| 12  | 5071730LW    | BODY STAINLESS STEEL SATINED        | 0.00  |
| 14  | 5340009.01LL | MOTOR SUPPORT                       | 0.00  |
| 17  | 0BDF1        | COVER FOR HOPPER 0,25 KG.           | 2.30  |
| 18  | 7822603      | NUT M4 OT                           | 0.03  |
| 19  | 0BEB04CG     | SAFE-FINGER CAP GREY WITH MAGNET    | 5.19  |
| 20  | 5373001      | COFFEE-PRESS ABS                    | 1.35  |
| 21  | 7990608      | BRUSH FOR GRINDER BB005             | 0.98  |
| 22  | 5522502      | LABLE BEZZERA                       | 1.86  |
| 24  | 7818002      | TAPPING SCREW TB D2.9 X 9.5 UNI 695 | 0.04  |
| 27  | 7474212      | ADHESIVE FEET                       | 0.35  |
| 30  | 5224021      | PIN ADJUSTMENT GRIND                | 1.09  |
| 31  | 5471505      | CALIBRATED SPRING D0.45 H22 AISI302 | 0.12  |
| 32  | 7822603      | NUT M4 OT                           | 0.03  |
| 33  | 7819901      | SCREW TTEI M4X12 ISO 7380 A2 INOX   | 0.07  |
| 34  | 7614005      | CABLE-PRESS                         | 0.49  |

**BEZZERA**

**BB005**

TABLE 1 - (up to 16/09/2010)  
BB005NR

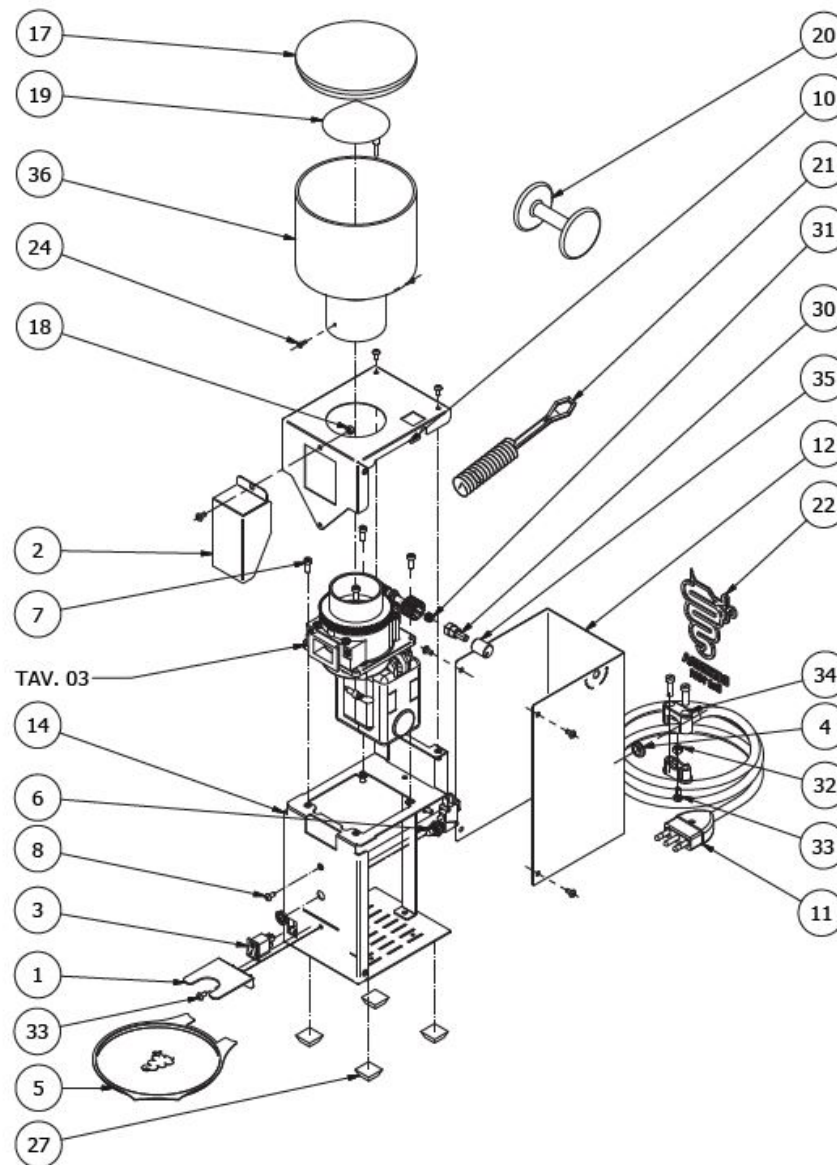


TABLE 1 - (up to 16/09/2010)

BB005NR

| POS | CODE      | DESCRIPTION                | PRICE |
|-----|-----------|----------------------------|-------|
| 35  | 5999911LL | KNOB ALUMINIUM D14 W/GRAIN | 2.00  |
| 36  | 5963095R  | HOPPER WITH SPACER BB005   | 19.10 |

TABLE 1 - (up to 16/09/2010)

BB005NR

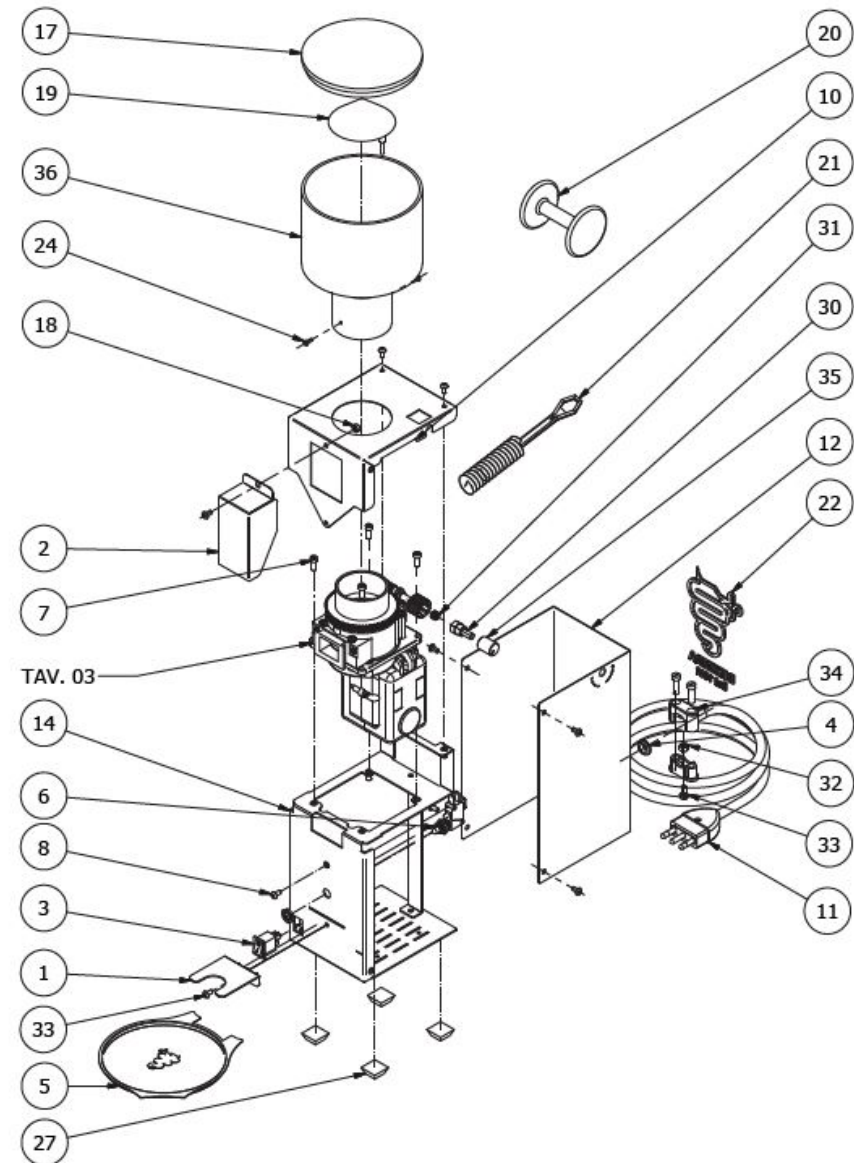
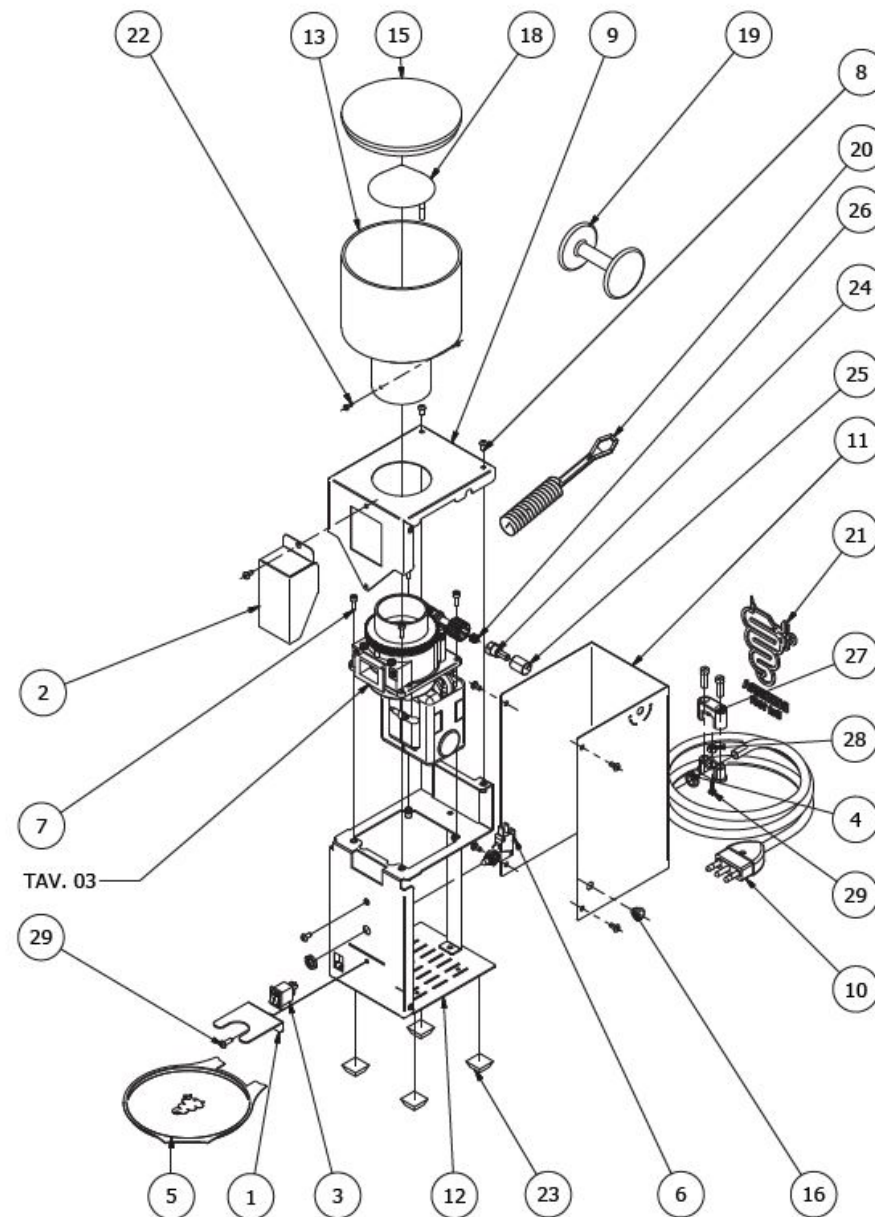


TABLE 1 - (from 17/09/2010 )  
BB005NR

| POS | CODE         | DESCRIPTION                         | PRICE |
|-----|--------------|-------------------------------------|-------|
| 1   | 5097809.01LL | FILTER HOLDER BRACKET               | 1.86  |
| 2   | 5340008.03LL | SLIDE COMPLETE FOR BB005TM W/COMP.  | 7.30  |
| 3   | 7633333      | SWITCH                              | 1.69  |
| 4   | 7613007      | FAIRLEAD M17V 3121145 RUBBER        | 0.14  |
| 5   | 5070651LW    | TRAY                                | 5.96  |
| 6   | 7633906      | MICROSWITCH 250V                    | 3.84  |
| 7   | 7816002      | SCREW TCEI M4X12 UNI 5931 A2        | 0.07  |
| 8   | 7819908      | SCREW TTEI M4X8                     | 0.03  |
| 9   | 5071731.02LL | ASSY COVER SUPPORT BB005 W/COMPASSE | 3.30  |
| 10  | 7555001LL    | CABLE H05VV-F 3X1.5 SP.SCHUKO W/FAS | 3.30  |
| 10  | 7551001LL    | CABLE SJTO 3X14AWG USA PLUG         | 8.36  |
| 10  | 7551003LL    | CABLE SJTO 3X12AWG USA PLUG         | 10.23 |
| 10  | 7552001LL    | CABLE H05VV-F 3X1 AUSTR.PLUG        | 3.61  |
| 10  | 7555003LL    | CABLE W/SWITZERLAND PLUG H05VV-F 3X | 3.28  |
| 10  | 7554001LL    | CABLE H05VV-F 3X1 SP.INGL.W/FAST    | 7.48  |
| 10  | 7551006LL    | CABLE TAIWAN PLUG 110V BSMI         | 4.60  |
| 11  | 5071729.01LW | BODY STAINLESS STEEL SATINED        | 0.00  |
| 12  | 5340009.02LL | ASSY MOTOR SUPPORT BB005 W/         | 15.00 |
| 13  | 5963095R     | HOPPER WITH SPACER BB005            | 19.10 |
| 15  | 0BDF1        | COVER FOR HOPPER 0,25 KG.           | 2.30  |
| 16  | 7305504      | PLASTIC PLUG SP-343 BLACK           | 0.23  |
| 18  | 0BEB04CG     | SAFE-FINGER CAP GREY WITH MAGNET    | 5.19  |
| 19  | 5373001      | COFFEE-PRESS ABS                    | 1.35  |
| 20  | 7990608      | BRUSH FOR GRINDER BB005             | 0.98  |
| 21  | 5522502      | LABLE BEZZERA                       | 1.86  |
| 22  | 7818002      | TAPPING SCREW TB D2.9 X 9.5 UNI 695 | 0.04  |
| 23  | 7474212      | ADHESIVE FEET                       | 0.35  |
| 24  | 5224021      | PIN ADJUSTMENT GRIND                | 1.09  |
| 25  | 5999911LL    | KNOB ALUMINIUM D14 W/GRAIN          | 2.00  |
| 26  | 5471505      | CALIBRATED SPRING D0.45 H22 AISI302 | 0.12  |

TABLE 1 - (from 17/09/2010 )  
BB005NR

**BEZZERA****BB005**

TABLE 1 - (from 17/09/2010 )  
BB005NR

| POS | CODE    | DESCRIPTION                       | PRICE |
|-----|---------|-----------------------------------|-------|
| 27  | 7614005 | CABLE-PRESS                       | 0.49  |
| 28  | 7822603 | NUT M4 OT                         | 0.03  |
| 29  | 7819901 | SCREW TTEI M4X12 ISO 7380 A2 INOX | 0.07  |

**BEZZERA****BB005**

TABLE 1 - (from 17/09/2010 )  
BB005NR

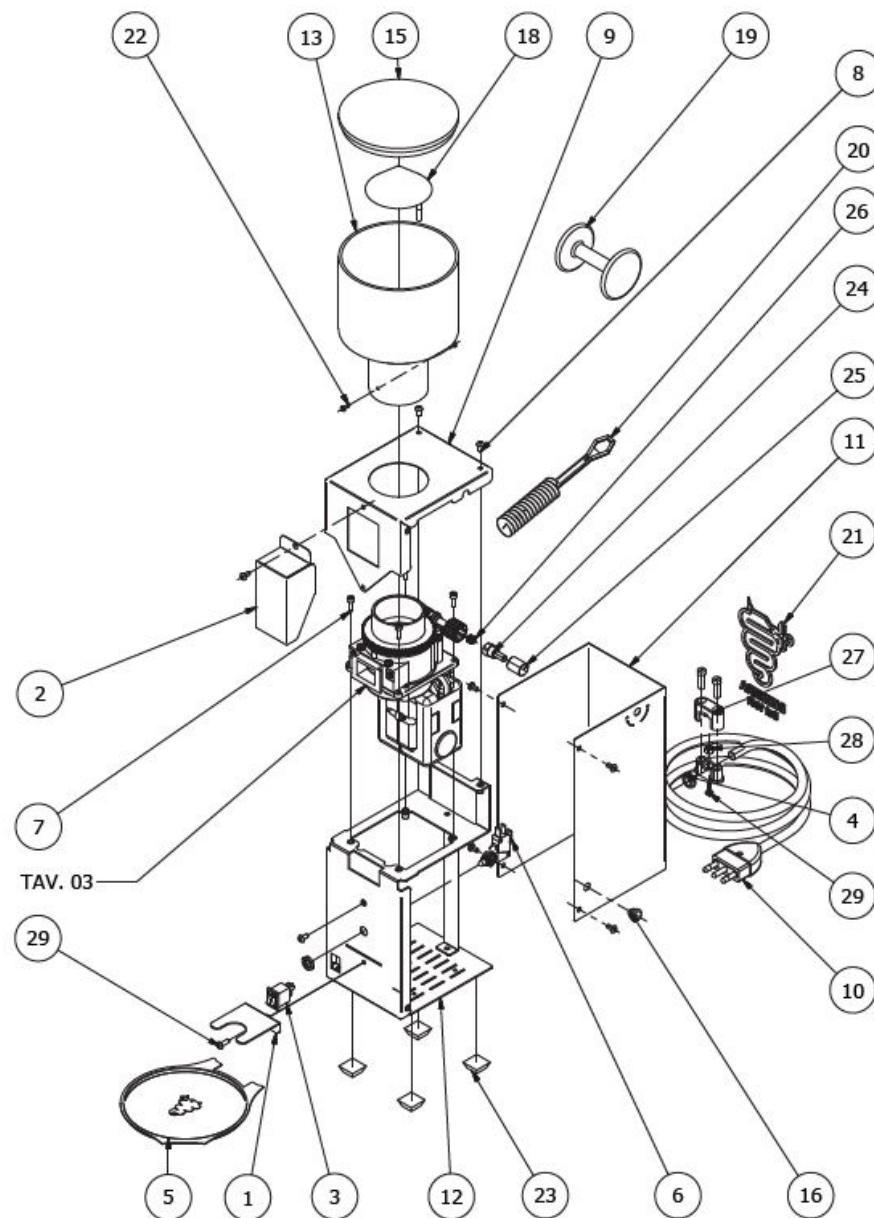


TABLE 2 - (up to 31/12/2009)  
BB005TM

| POS | CODE         | DESCRIPTION                          | PRICE |
|-----|--------------|--------------------------------------|-------|
| 1   | 5097809.01LL | FILTER HOLDER BRACKET                | 1.86  |
| 2   | 5340008LL    | SLIDE COMPLETE FOR BB005TM W/COMP.   | 3.61  |
| 3   | 7667015      | TIMER 110V                           | 0.00  |
| 3   | 7667014      | TIMER CARD BB005 230/240V            | 16.97 |
| 4   | 7633333      | SWITCH                               | 1.69  |
| 5   | 7613007      | FAIRLEAD M17V 3121145 RUBBER         | 0.14  |
| 6   | 5070651LW    | TRAY                                 | 5.96  |
| 7   | 7633906      | MICROSWITCH 250V                     | 3.84  |
| 8   | 7816002      | SCREW TCEI M4X12 UNI 5931 A2         | 0.07  |
| 9   | 7819901      | SCREW TTEI M4X12 ISO 7380 A2 INOX    | 0.07  |
| 10  | 7819908      | SCREW TTEI M4X8                      | 0.03  |
| 11  | 7818002      | TAPPING SCREW TB D2.9 X 9.5 UNI 695  | 0.04  |
| 12  | 7809809      | PLASTIC SCREW TCI M3X5 DIN7985       | 0.19  |
| 13  | 5999910LL    | KNOB ALUMINIUM D37,5 W/GRAIN         | 4.31  |
| 14  | 5071731LL    | COVER                                | 0.00  |
| 15  | 7555001      | ELECTRIC CABLE WITH SHUKO PLUG       | 7.48  |
| 15  | 7551001      | ELECTRIC CABLE WITH USA PLUG L=1.5M  | 7.48  |
| 15  | 7551003      | CABLE WITH USA PLUG 250V 20A         | 10.16 |
| 15  | 7552001      | ELECTRIC CABLE WITH AUSTRALIAN PLUG  | 7.48  |
| 15  | 7555003      | SWISS PLUG CABLE H05VV-F 3X1,5 10A   | 3.09  |
| 15  | 7554001      | ELECTRIC CABLE WITH ENGLISH PLUG     | 7.48  |
| 16  | 5071729LW    | BODY STAINLESS STEEL SATINED X TIMER | 0.00  |
| 17  | 5222204      | SPACER M3 ES.6 H11 OT                | 0.34  |
| 18  | 5340009LL    | MOTOR SUPPORT                        | 0.00  |
| 19  | 5963095R     | HOPPER WITH SPACER BB005             | 19.10 |
| 22  | 0BDF1        | COVER FOR HOPPER 0,25 KG.            | 2.30  |
| 23  | 1R9009950    | FEET                                 | 0.00  |
| 24  | 1R9001804    | PLUG                                 | 0.00  |
| 25  | 7999904      | ADHESIVE RUBBER TOP                  | 0.19  |
| 26  | 7819911      | SCREW TTEI M4X25 INOX                | 0.12  |

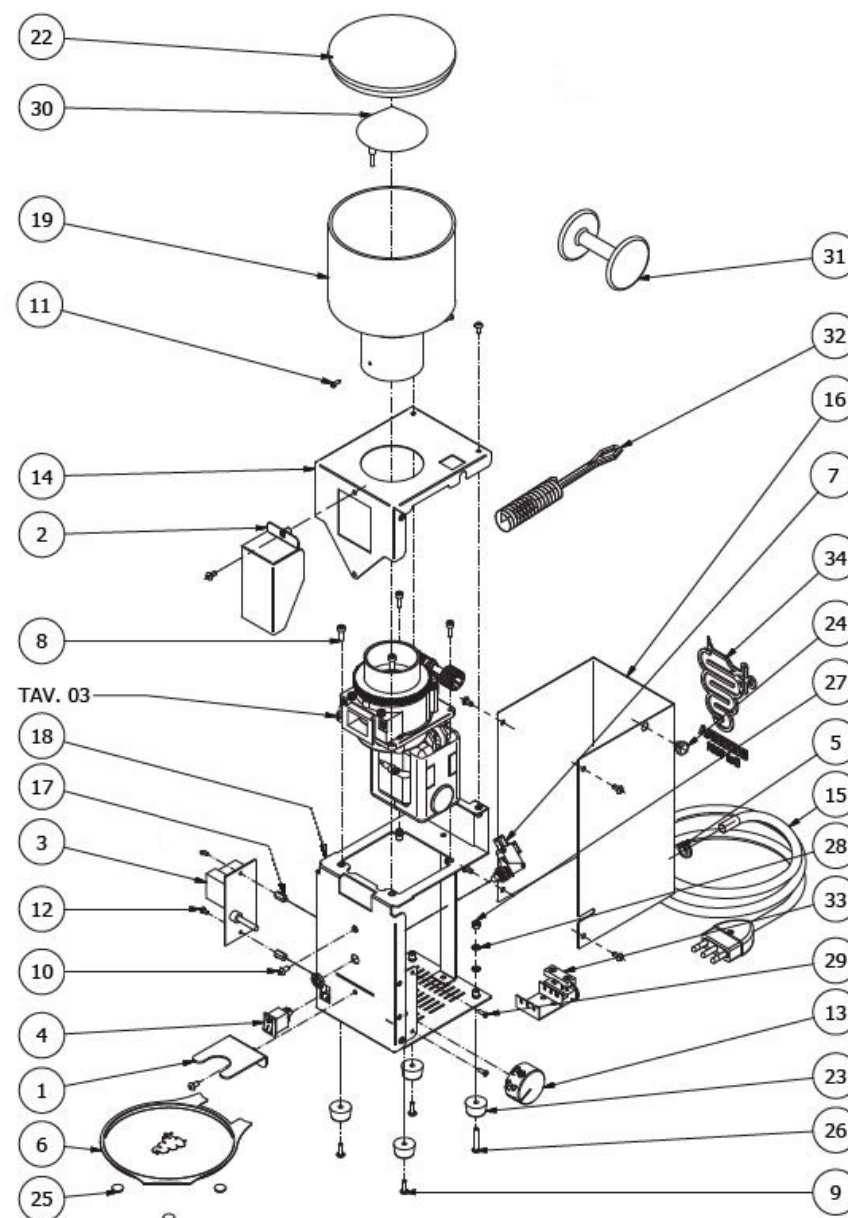
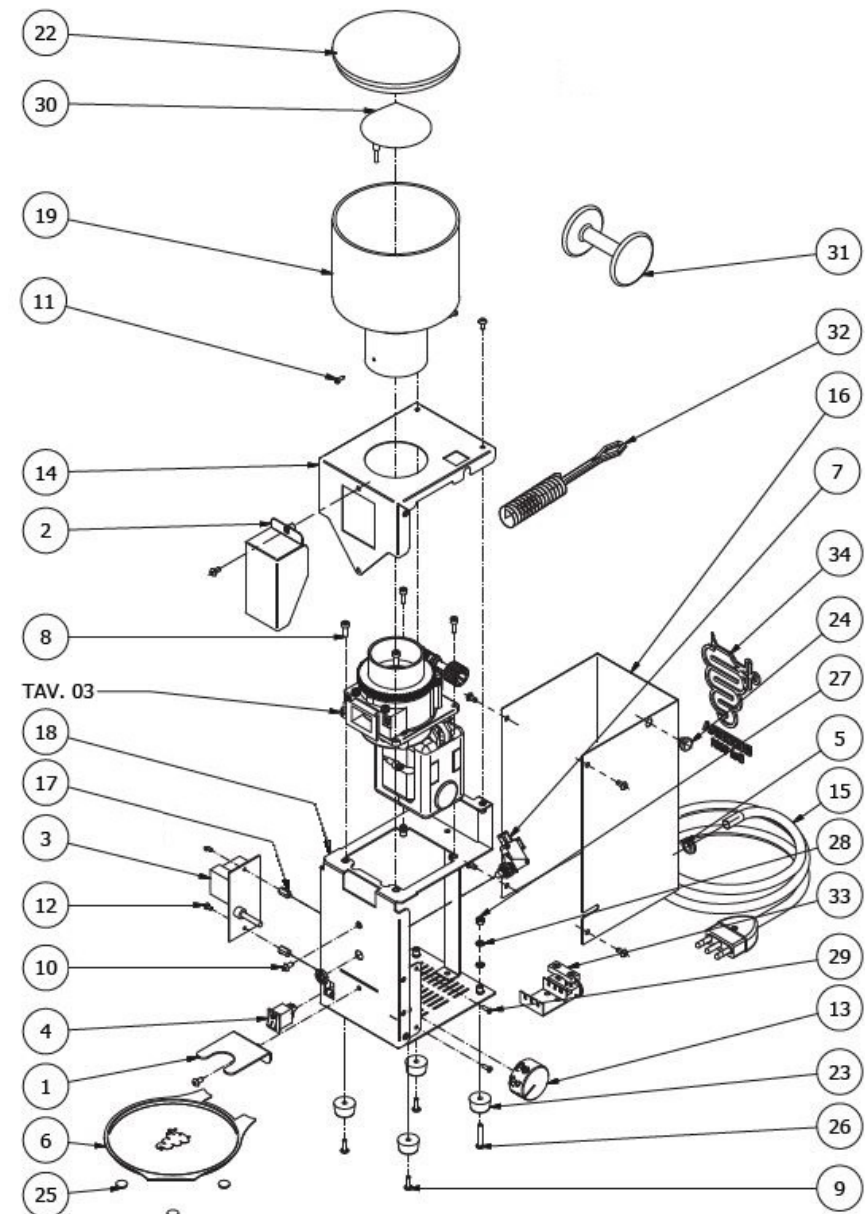
TABLE 2 - (up to 31/12/2009)  
BB005TM



TABLE 2 - (up to 31/12/2009)  
BB005TM

| POS | CODE     | DESCRIPTION                         | PRICE |
|-----|----------|-------------------------------------|-------|
| 27  | 7822603  | NUT M4 OT                           | 0.03  |
| 28  | 7814001  | WASHER D4 DIN 6798A A2              | 0.03  |
| 29  | 7817803  | SCREW TPS M3X10 UNI 7688 DIN 965 A2 | 0.04  |
| 30  | 0BEB04CG | SAFE-FINGER CAP GREY WITH MAGNET    | 5.19  |
| 31  | 5373001  | COFFEE-PRESS ABS                    | 1.35  |
| 32  | 7990608  | BRUSH FOR GRINDER BB005             | 0.98  |
| 33  | 7370502  | CLAMP HOUSING                       | 0.55  |
| 34  | 5522502  | LABLE BEZZERA                       | 1.86  |

TABLE 2 - (up to 31/12/2009)  
BB005TM

**BEZZERA**

**BB005**

TABLE 2 - (up to 16/09/2009)  
BB005TM

| POS | CODE         | DESCRIPTION                         | PRICE |
|-----|--------------|-------------------------------------|-------|
| 1   | 5097809.01LL | FILTER HOLDER BRACKET               | 1.86  |
| 2   | 5340008.01   | NOZZLE                              | 0.00  |
| 3   | 7633333      | SWITCH                              | 1.69  |
| 4   | 7613007      | FAIRLEAD M17V 3121145 RUBBER        | 0.14  |
| 5   | 5070651LW    | TRAY                                | 5.96  |
| 6   | 7633906      | MICROSWITCH 250V                    | 3.84  |
| 7   | 7816002      | SCREW TCEI M4X12 UNI 5931 A2        | 0.07  |
| 8   | 7819908      | SCREW TTEI M4X8                     | 0.03  |
| 9   | 7809809      | PLASTIC SCREW TCI M3X5 DIN7985      | 0.19  |
| 10  | 5071731.01LL | COVER                               | 0.00  |
| 11  | 7551001LL    | CABLE SJTO 3X14AWG USA PLUG         | 8.36  |
| 11  | 7551003LL    | CABLE SJTO 3X12AWG USA PLUG         | 10.23 |
| 11  | 7552001LL    | CABLE H05VV-F 3X1 AUSTR.PLUG        | 3.61  |
| 11  | 7555003LL    | CABLE W/SWITZERLAND PLUG H05VV-F 3X | 3.28  |
| 11  | 7554001LL    | CABLE H05VV-F 3X1 SP.INGL.W/FAST    | 7.48  |
| 11  | 7555001LL    | CABLE H05VV-F 3X1.5 SP.SCHUKO W/FAS | 3.30  |
| 12  | 5071729LW    | BODY STAINLESS STEEL SATINED        | 0.00  |
| 13  | 7639915      | PLASTIC SPACER M3X8                 | 1.06  |
| 14  | 5340009.01LL | MOTOR SUPPORT                       | 0.00  |
| 17  | 0BDF1        | COVER FOR HOPPER 0,25 KG.           | 2.30  |
| 18  | 7822603      | NUT M4 OT                           | 0.03  |
| 19  | 0BEB04CG     | SAFE-FINGER CAP GREY WITH MAGNET    | 5.19  |
| 20  | 5373001      | COFFEE-PRESS ABS                    | 1.35  |
| 21  | 7990608      | BRUSH FOR GRINDER BB005             | 0.98  |
| 22  | 5522502      | LABLE BEZZERA                       | 1.86  |
| 24  | 7818002      | TAPPING SCREW TB D2.9 X 9.5 UNI 695 | 0.04  |
| 25  | 5963094      | POTENTIOMETER COMPLETE BB005TM      | 3.72  |
| 26  | 5055748.01LW | TIMER SUPPORT                       | 0.82  |
| 27  | 7474212      | ADHESIVE FEET                       | 0.35  |
| 28  | 5999910LL    | KNOB ALUMINIUM D37,5 W/GRAIN        | 4.31  |

**BEZZERA**

**BB005**

TABLE 2 - (up to 16/09/2009)  
BB005TM

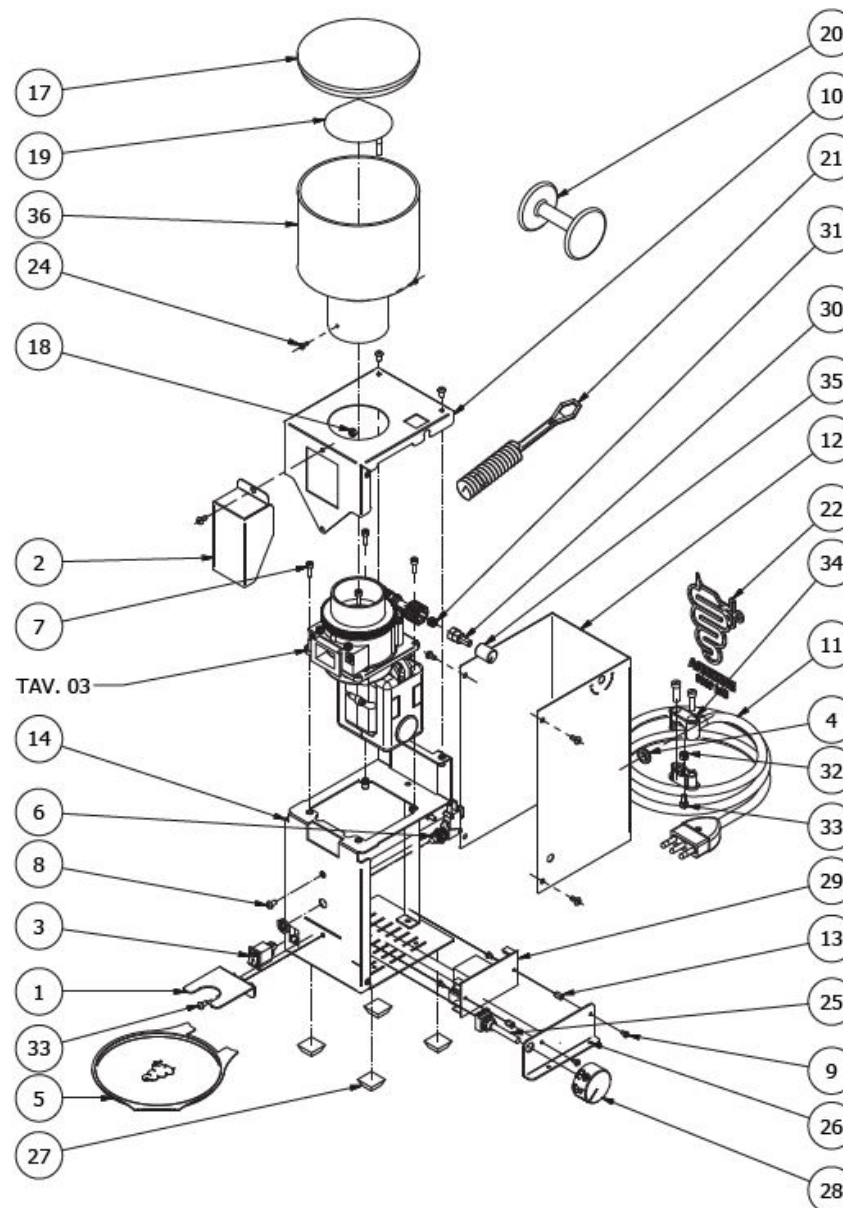


TABLE 2 - (up to 16/09/2009)  
BB005TM

| POS | CODE       | DESCRIPTION                         | PRICE |
|-----|------------|-------------------------------------|-------|
| 29  | 7667014.01 | TIMER CARD BB005 230/240V           | 16.97 |
| 29  | 7667015.01 | TIMER 110V                          | 17.27 |
| 30  | 5224021    | PIN ADJUSTMENT GRIND                | 1.09  |
| 31  | 5471505    | CALIBRATED SPRING D0.45 H22 AISI302 | 0.12  |
| 32  | 7822603    | NUT M4 OT                           | 0.03  |
| 33  | 7819901    | SCREW TTEI M4X12 ISO 7380 A2 INOX   | 0.07  |
| 34  | 7614005    | CABLE-PRESS                         | 0.49  |
| 35  | 5999911LL  | KNOB ALUMINIUM D14 W/GRAIN          | 2.00  |
| 36  | 5963095R   | HOPPER WITH SPACER BB005            | 19.10 |

TABLE 2 - (up to 16/09/2009)  
BB005TM

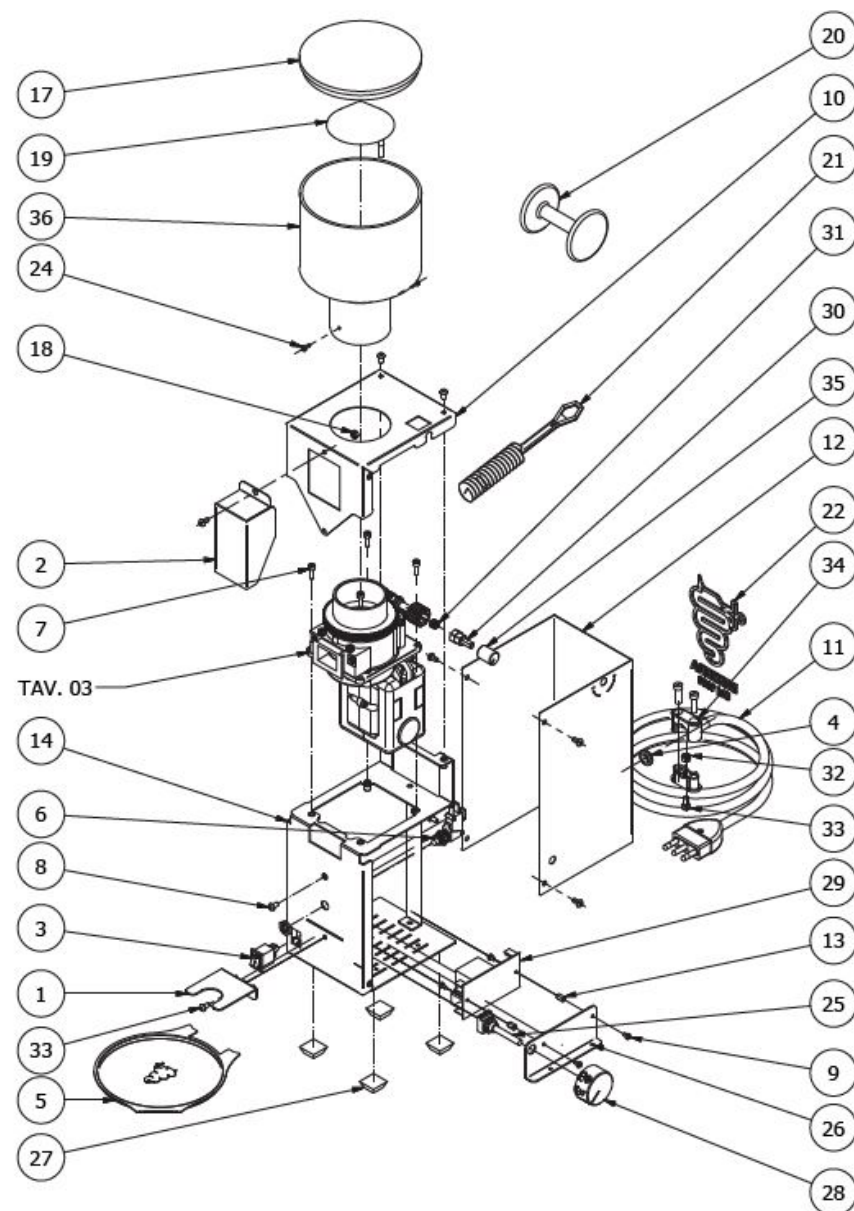


TABLE 2 - (from 17/09/2010 )  
BB005TM

| POS | CODE         | DESCRIPTION                          | PRICE |
|-----|--------------|--------------------------------------|-------|
| 1   | 5097809.01LL | FILTER HOLDER BRACKET                | 1.86  |
| 2   | 5340008.03LL | SLIDE COMPLETE FOR BB005TM W/COMP.   | 7.30  |
| 3   | 7633333      | SWITCH                               | 1.69  |
| 4   | 7613007      | FAIRLEAD M17V 3121145 RUBBER         | 0.14  |
| 5   | 5070651LW    | TRAY                                 | 5.96  |
| 6   | 7633906      | MICROSWITCH 250V                     | 3.84  |
| 7   | 7816002      | SCREW TCEI M4X12 UNI 5931 A2         | 0.07  |
| 8   | 7819908      | SCREW TTEI M4X8                      | 0.03  |
| 9   | 7809809      | PLASTIC SCREW TCI M3X5 DIN7985       | 0.19  |
| 10  | 5071731.02LL | ASSY COVER SUPPORT BB005 W/COMPASSE  | 3.30  |
| 11  | 7555001LL    | CABLE H05VV-F 3X1.5 SP.SCHUKO W/FAS  | 3.30  |
| 11  | 7551001LL    | CABLE SJTO 3X14AWG USA PLUG          | 8.36  |
| 11  | 7551003LL    | CABLE SJTO 3X12AWG USA PLUG          | 10.23 |
| 11  | 7552001LL    | CABLE H05VV-F 3X1 AUSTR.PLUG         | 3.61  |
| 11  | 7555003LL    | CABLE W/SWITZERLAND PLUG H05VV-F 3X  | 3.28  |
| 11  | 7554001LL    | CABLE H05VV-F 3X1 SP.INGL.W/FAST     | 7.48  |
| 11  | 7551006LL    | CABLE TAIWAN PLUG 110V BSMI          | 4.60  |
| 12  | 5071729.01LW | BODY STAINLESS STEEL SATINED         | 0.00  |
| 13  | 7639915      | PLASTIC SPACER M3X8                  | 1.06  |
| 14  | 5340009.02LL | ASSY MOTOR SUPPORT BB005 W/COMPASSES | 15.00 |
| 15  | 5963095R     | HOPPER WITH SPACER BB005             | 19.10 |
| 17  | 0BDF1        | COVER FOR HOPPER 0,25 KG.            | 2.30  |
| 19  | 0BEB04CG     | SAFE-FINGER CAP GREY WITH MAGNET     | 5.19  |
| 20  | 5373001      | COFFEE-PRESS ABS                     | 1.35  |
| 21  | 7990608      | BRUSH FOR GRINDER BB005              | 0.98  |
| 22  | 5522502      | LABLE BEZZERA                        | 1.86  |
| 23  | 7818002      | TAPPING SCREW TB D2.9 X 9.5 UNI 695  | 0.04  |
| 24  | 5963094      | POTENTIOMETER COMPLETE BB005TM       | 3.72  |
| 25  | 5055748.01LW | TIMER SUPPORT                        | 0.82  |
| 26  | 7474212      | ADHESIVE FEET                        | 0.35  |

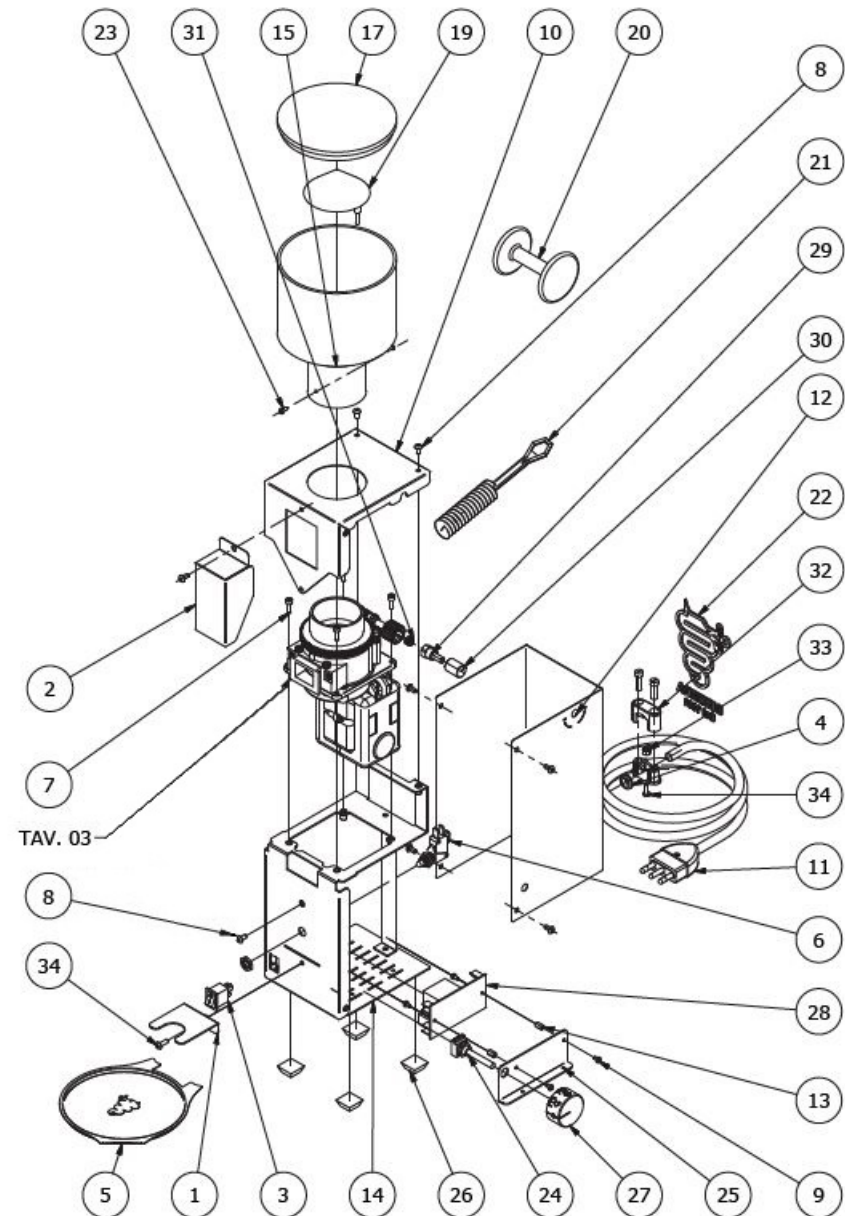
TABLE 2 - (from 17/09/2010 )  
BB005TM

TABLE 2 - (from 17/09/2010 )  
BB005TM

| POS | CODE       | DESCRIPTION                         | PRICE |
|-----|------------|-------------------------------------|-------|
| 27  | 5999910LL  | KNOB ALUMINIUM D37,5 W/GRAIN        | 4.31  |
| 28  | 7667014.01 | TIMER CARD BB005 230/240V           | 16.97 |
| 28  | 7667015.01 | TIMER 110V                          | 17.27 |
| 29  | 5224021    | PIN ADJUSTMENT GRIND                | 1.09  |
| 30  | 5999911LL  | KNOB ALUMINIUM D14 W/GRAIN          | 2.00  |
| 31  | 5471505    | CALIBRATED SPRING D0.45 H22 AISI302 | 0.12  |
| 32  | 7614005    | CABLE-PRESS                         | 0.49  |
| 33  | 7822603    | NUT M4 OT                           | 0.03  |
| 34  | 7819901    | SCREW TTEI M4X12 ISO 7380 A2 INOX   | 0.07  |

TABLE 2 - (from 17/09/2010 )  
BB005TM

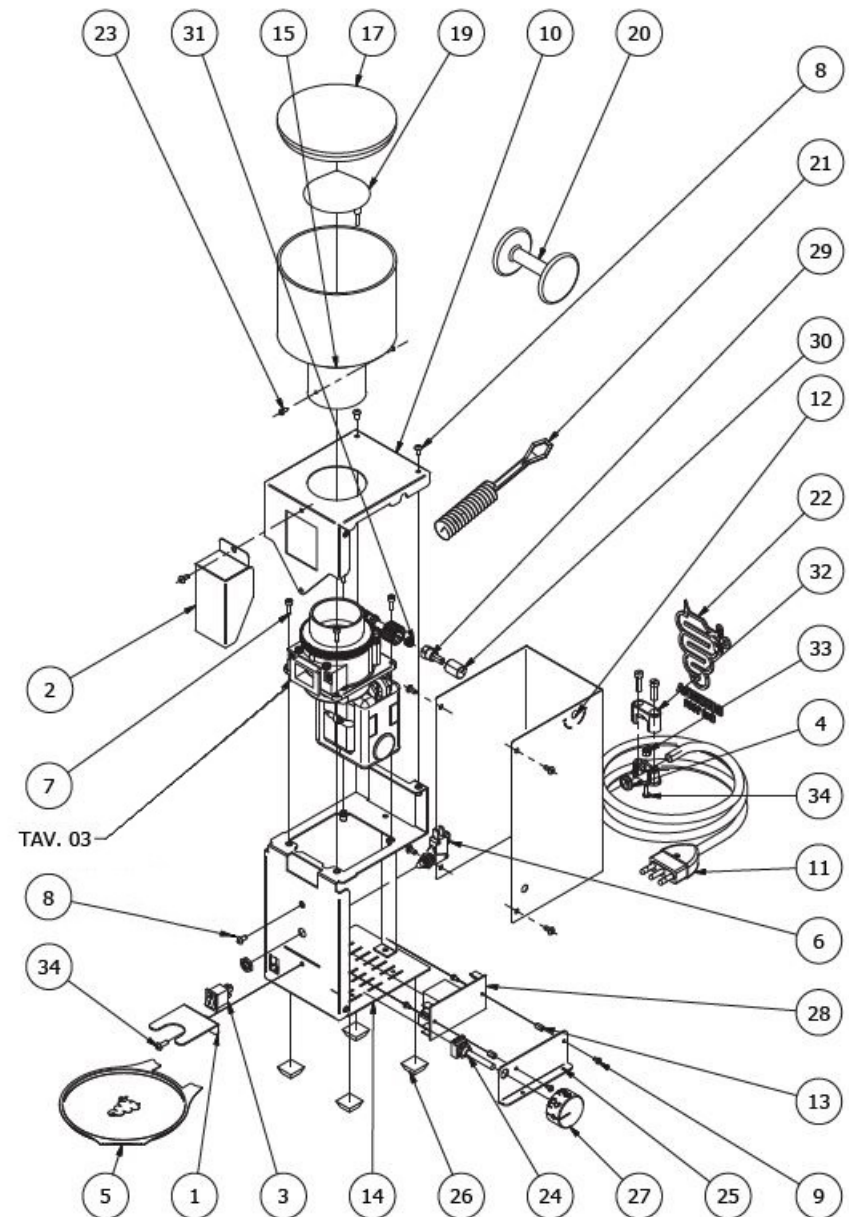
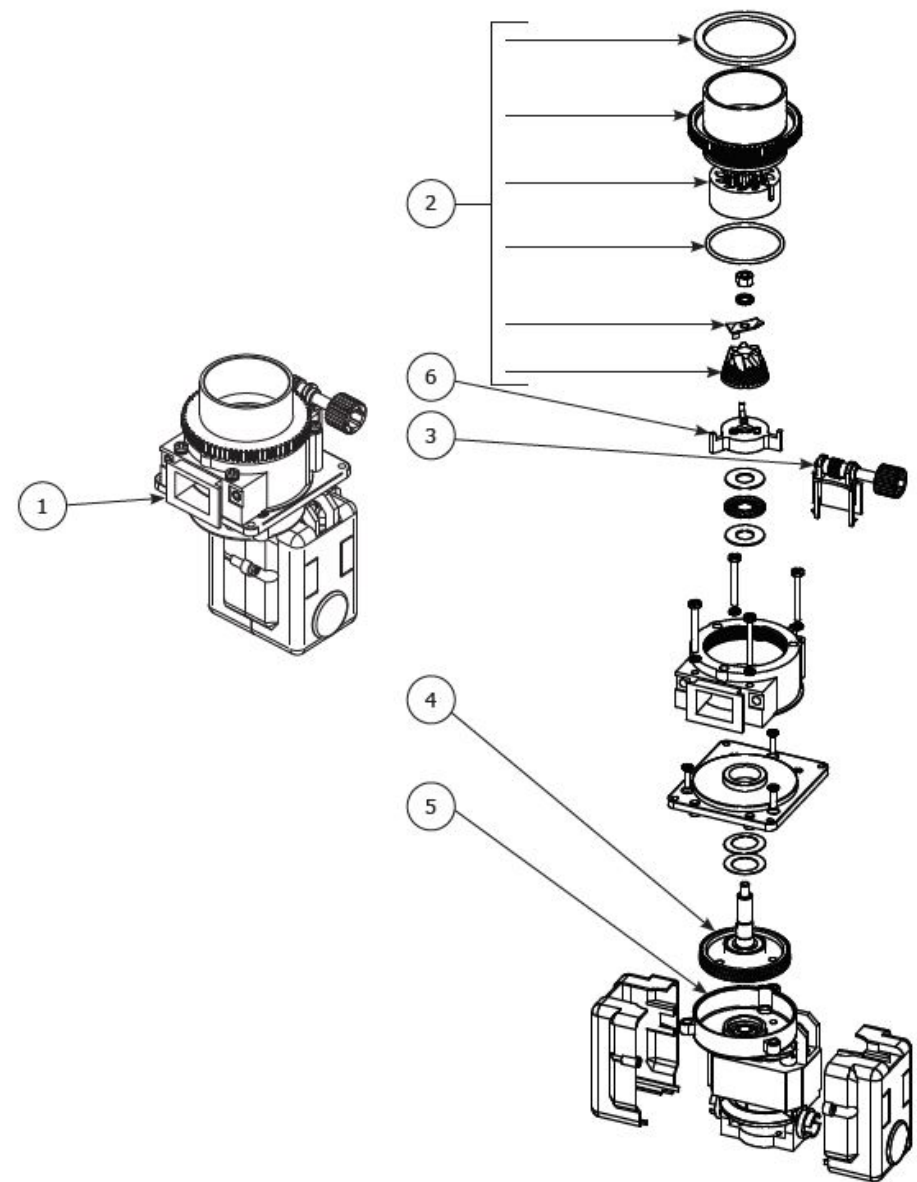


TABLE 3  
BB005NR / BB005TM

| POS | CODE        | DESCRIPTION                         | PRICE |
|-----|-------------|-------------------------------------|-------|
| 1   | 7479979     | CONICAL GRINDER BLADES 230V/50HZ    | 89.12 |
| 1   | 7479980     | CONICAL GRINDER BLADES 110V/50HZ    | 93.36 |
| 2   | 0C201R0080F | BB005 FLANGE COMPLETE OF GRINDSTONE | 44.56 |
| 3   | 0C201A4015C | BB005 RIGHT REGULATOR COMPLETE      | 6.57  |
| 4   | 0C201R4011D | PLASTIC GEAR ASSEMBLY               | 20.16 |
| 5   | 0C106R1012B | MOTOR ASSEMBLY 110V                 | 94.36 |
| 5   | 0C106A1005I | MOTOR COFFEE GRINDER COMPLETE 230/  | 76.21 |
| 6   | 0C101A0238B | FAN FOR BB005                       | 2.03  |

TABLE 3  
BB005NR / BB005TM





G. BEZZERA S.R.L.  
MACCHINE PER CAFFÈ ESPRESSO  
Via Luigi Bezzera, 1  
20088 Rosate - Milano - Italy  
Tel. ++39 02 90848102 r.a. - Telefax ++39 02 90870287  
Web: [www.bezzera.com](http://www.bezzera.com)  
e-mail: [admin@bezzera.it](mailto:admin@bezzera.it)