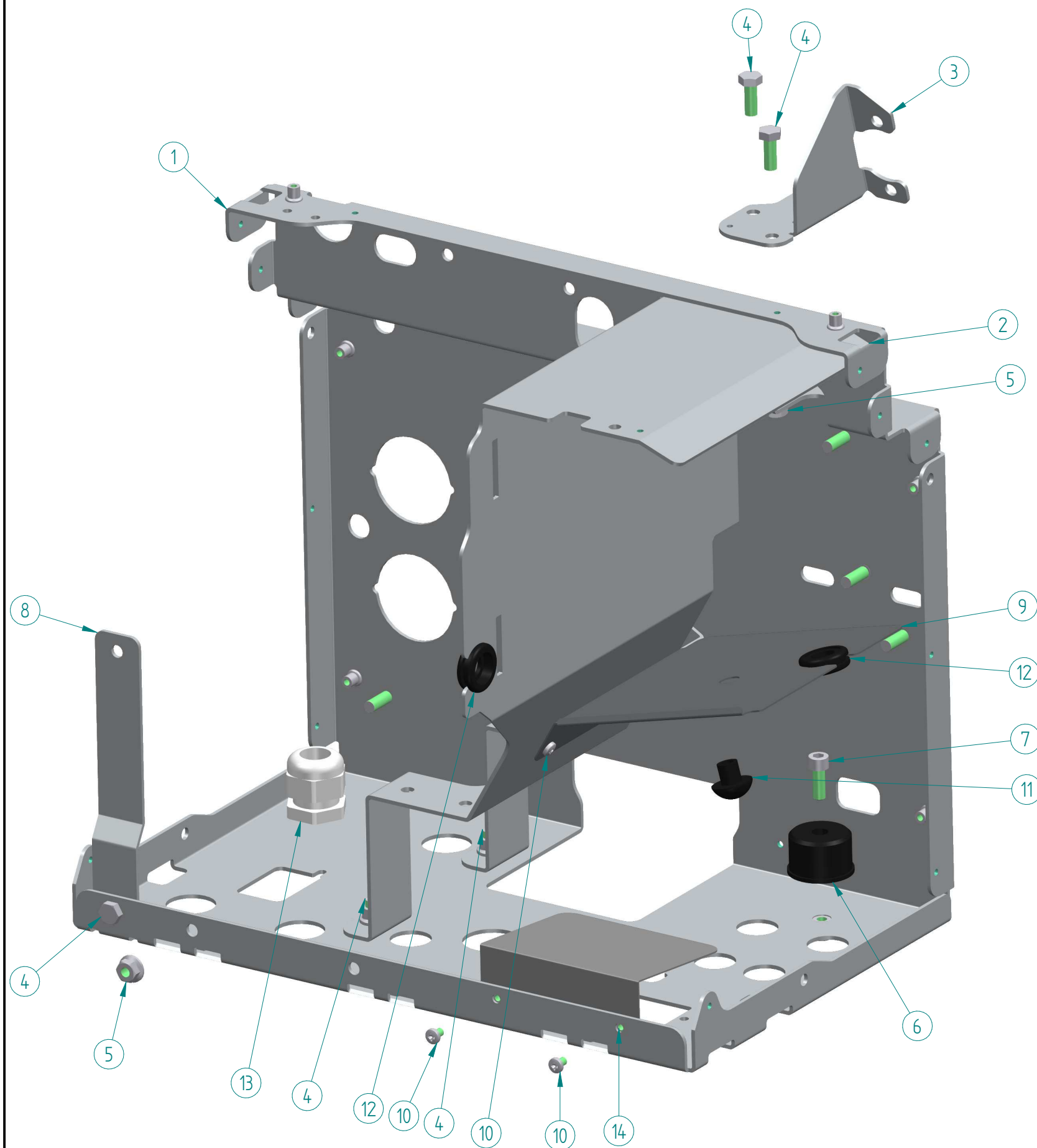


DALLA
CORTE

SPARE PARTS CATALOGUE

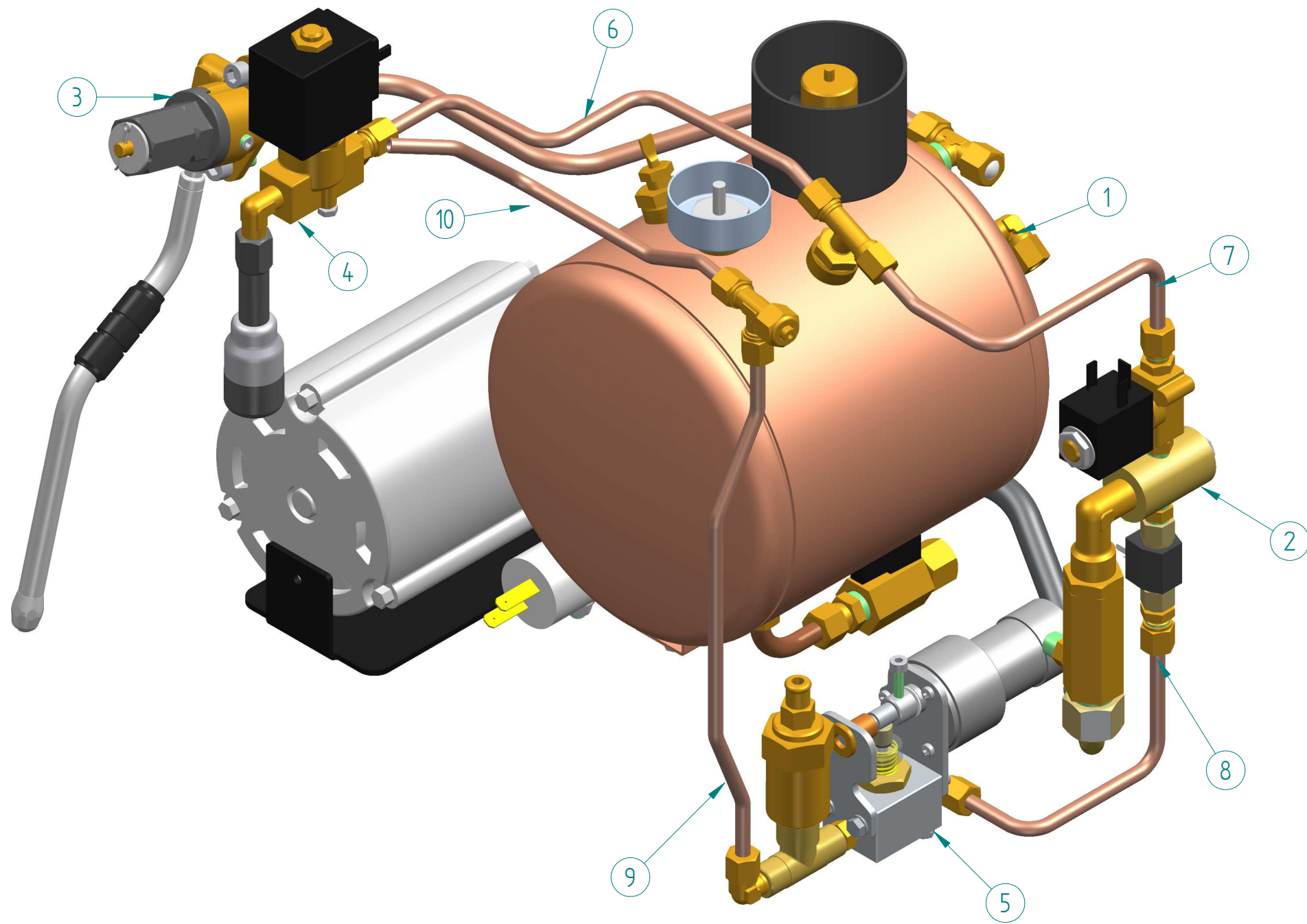
A large, abstract graphic on the left side of the page consists of several overlapping, horizontal brushstrokes in a vibrant yellow color. The strokes vary in length and opacity, creating a sense of movement and depth. The background is a solid dark grey.

mina



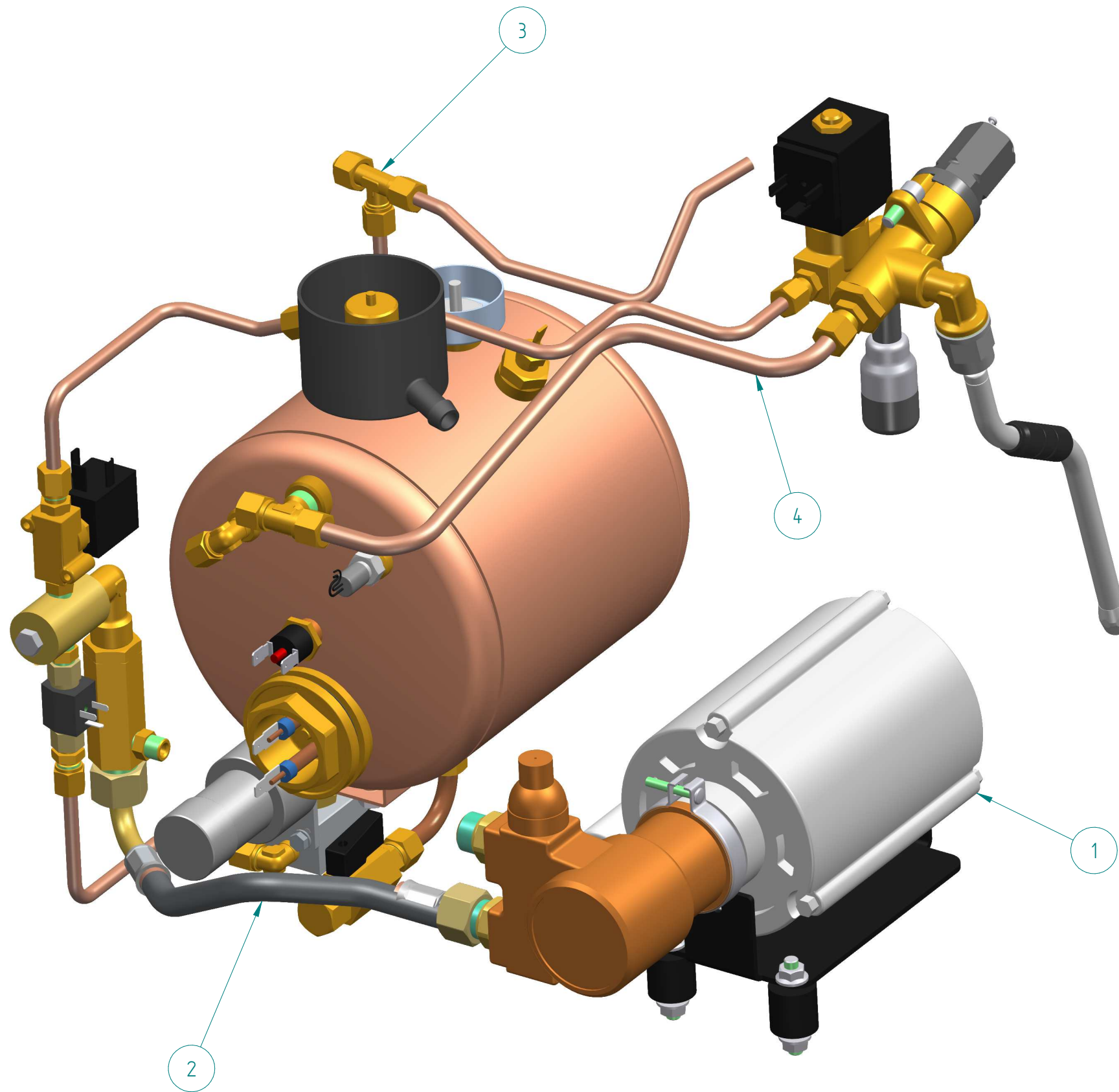
ITEM	CODE	DESCRIPTION	NOTE
1	B-MC-2009	FRONT UPRIGHT	UNABLE TO ORDER
2	B-MC-2010	CENTRAL UPRIGHT	UNABLE TO ORDER
3	B-MC-2011	BRACKET TAP	
4	B-00-0103	SCREW TE 8.8 M6x16 DIN933	
5	B-00-0113	FLANGED NUT M6 DIN6923	
6	B-MC-0187	RUBBER ANTIVIBRATION H20 SH50	
7	B-00-0109	SCREW TCEI A2 M6x16 DIN912	
8	B-MC-2024	BRACKET SUPPORT COLLECTOR	
9	B-MC-2074	MOTORPUMP FLAP	UNABLE TO ORDER
10	B-00-0111	SCREW TC+ A2 M4x6 DIN7985	
11	B-00-0196	RUBBER FOOT	
12	B-MC-0195	GROMMET PG16	
13	B-00-0001	PG16 CABLE TAMPERER	
14	B-MC-2076	STATIC RELAY BOILER PROTECTION	

DALLA CORTE SPARE PARTS CATALOGUE MINA	DESCRIPTION BASE FRAME	REV 28	NOTE: * ALTERNATIVE TO THE REPRESENTED COMPONENT	SHEET 3
	ASSEMBLY CODE	EMISSION DATE OCTOBER 2020		



POS	CODE	DESCRIPTION	NOTE
1	--	COMPLETE BOILER 3 LITERS	See Detail Sheet 9
2	--	COMPLETE COLLECTOR	See Detail Sheet 8
3	A-MC-2010A	COMPLETE STEAM TAP	See Detail Sheet 11
4	A-MC-2011	EROGATION GROUP TEA	See Detail Sheet 7
5	A-MC-2017CV	COMPLETE FLOW REGULATOR	See Detail Sheet 17
6	B-MC-2026	FISHING PIPE TO EVS	ALSO ORDER n.2 pz B-00-0012A
7	B-MC-2028	PIPE FROM EVC TO FISHING	ALSO ORDER n.2 pz B-00-0012A
8	B-MC-2029	PIPE FROM FM TO FR	ALSO ORDER n.2 pz B-00-0012A
9	B-MC-2030	FEEDING GROUP PIPE 1st PART	ALSO ORDER n.2 pz B-00-0012A
10	B-MC-2031	FEEDING GROUP PIPE 2nd PART	ALSO ORDER n.2 pz B-00-0012A

POS	CODE	DESCRIPTION	NOTE
1	--	MOTORPUMP ASSEMBLED	See Detail Sheet 6
2	B-00-0028	FLEX PIPE 3/8" L25 WITH 1 L-SHAPED C.	
3	B-00-0288	T-CONNECTION LATERAL D6 1/8"	
4	B-MC-2025	STEAM PIPE	ALSO ORDER n.2 pz B-00-0015A



DALLA CORTE
SPARE PARTS CATALOGUE
MINA

DESCRIPTION
HYDRAULIC SYSTEM (rear view)

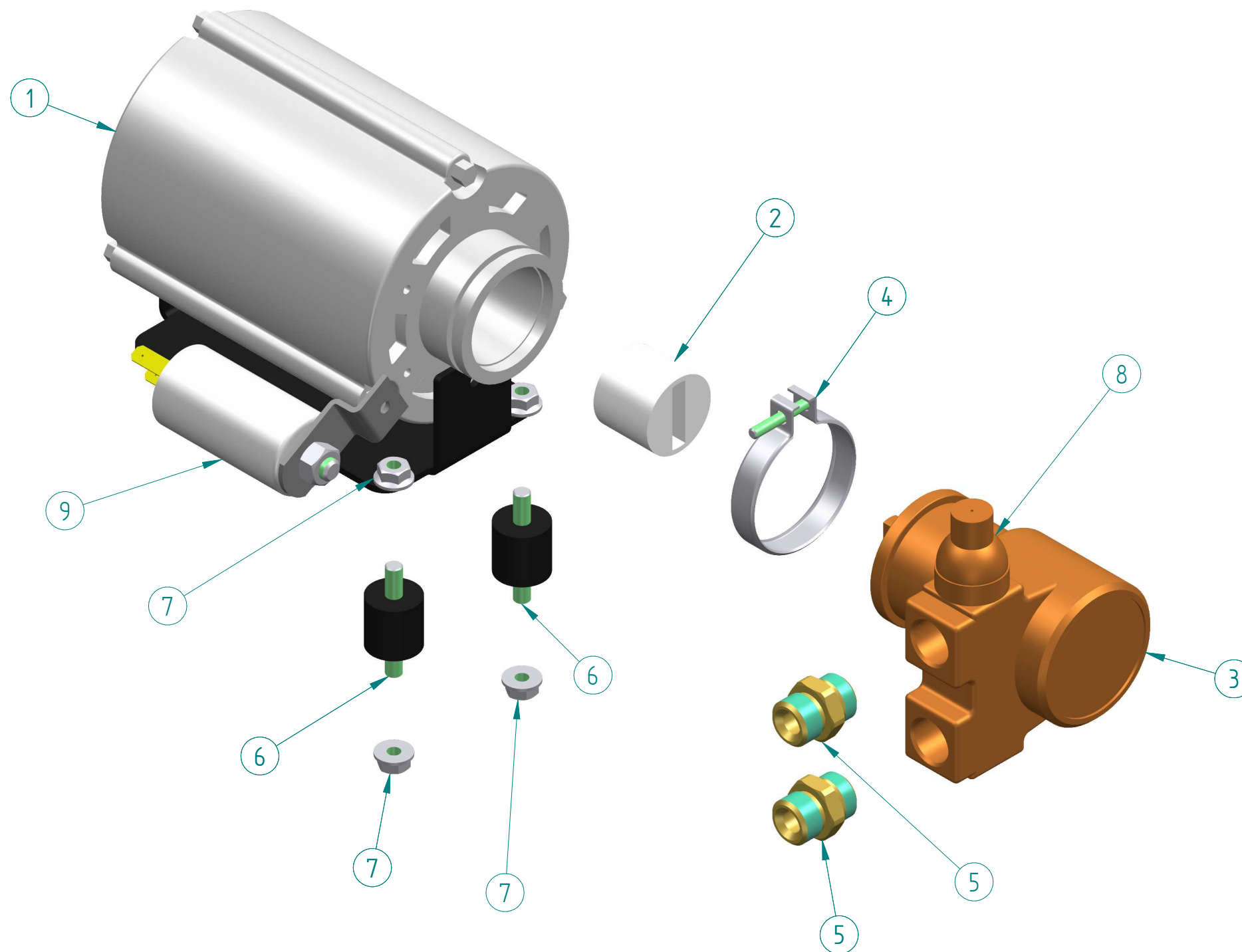
ASSEMBLY CODE

REV
28

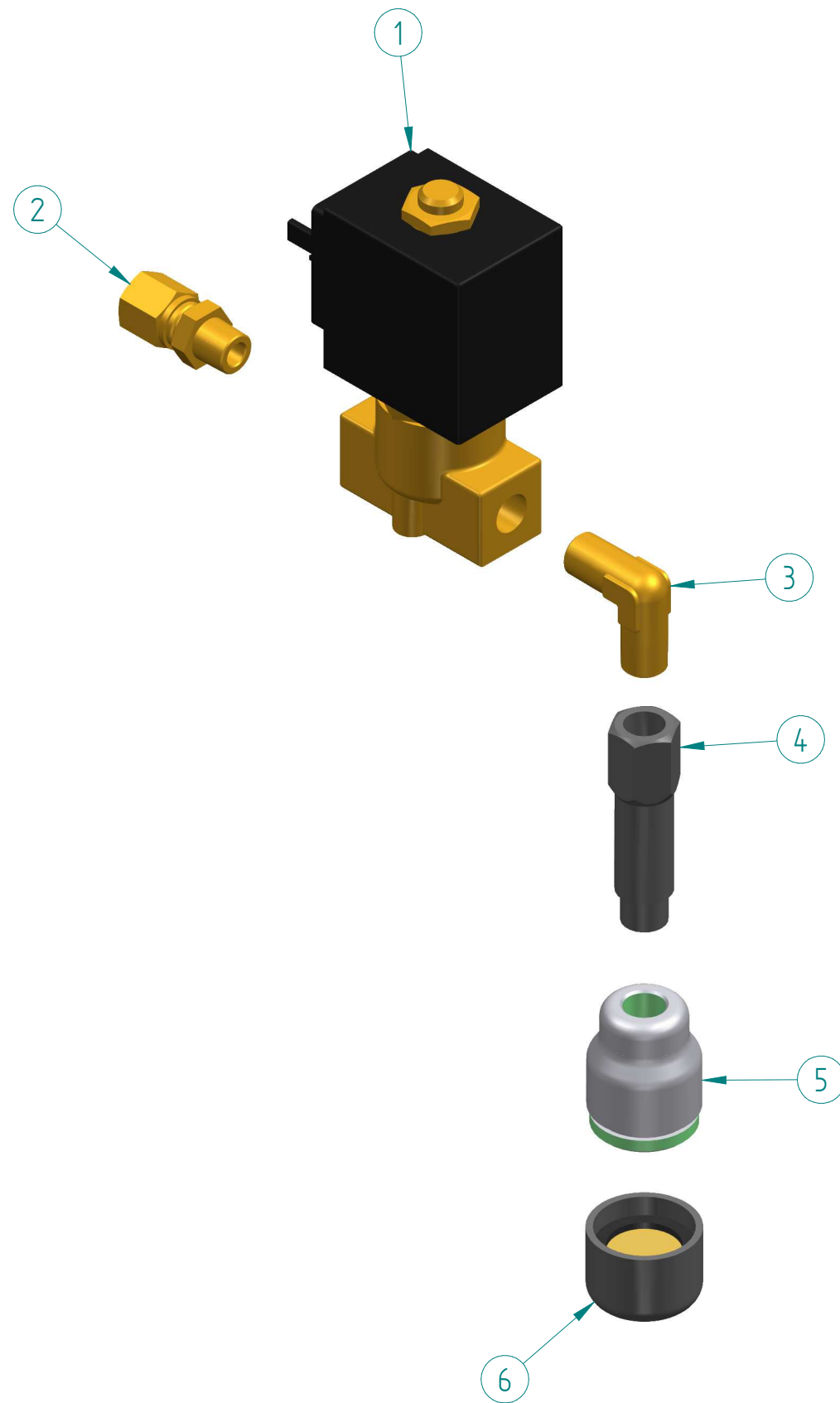
EMISSION DATE
OCTOBER 2020

NOTE:
* ALTERNATIVE TO THE REPRESENTED COMPONENT

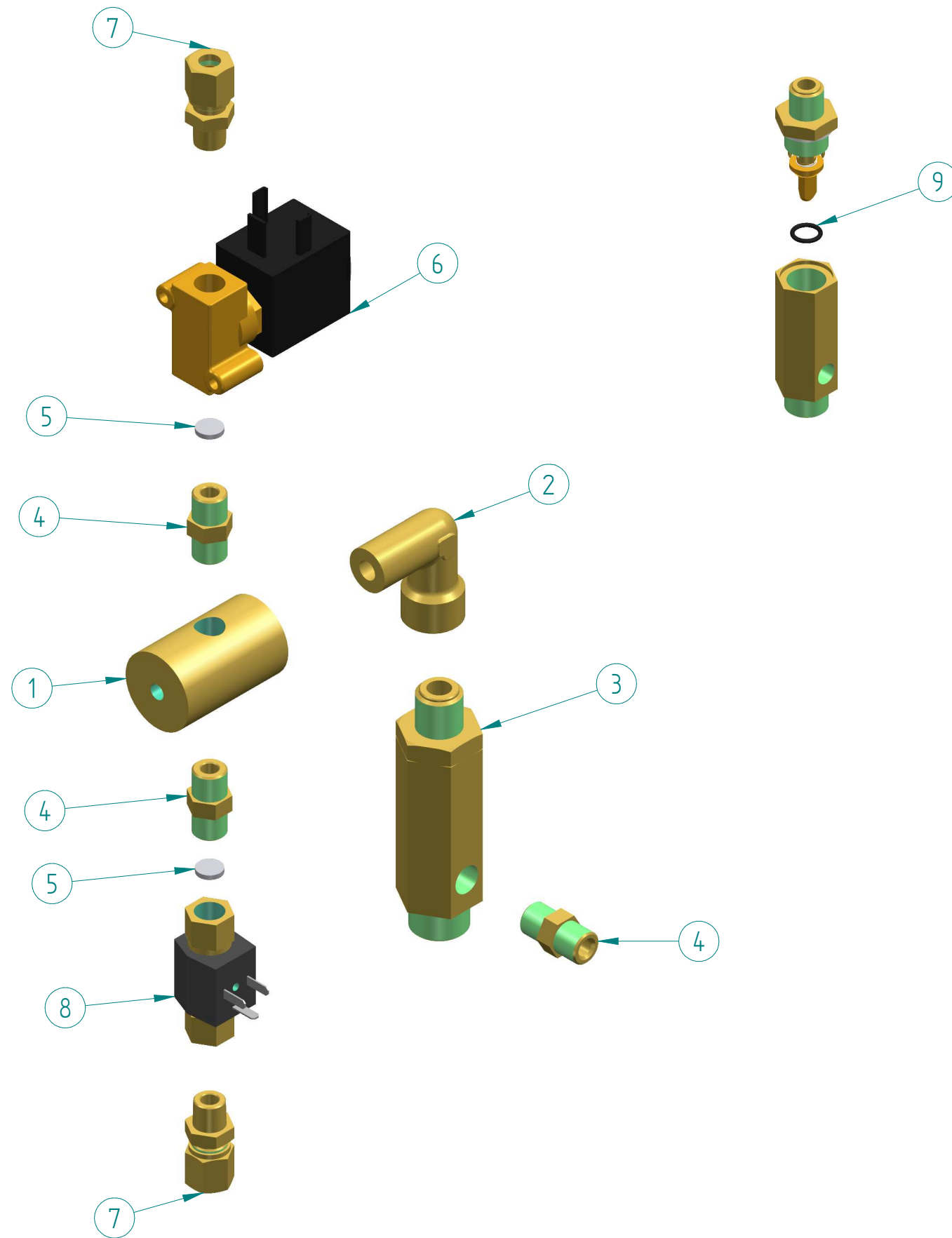
SHEET
5



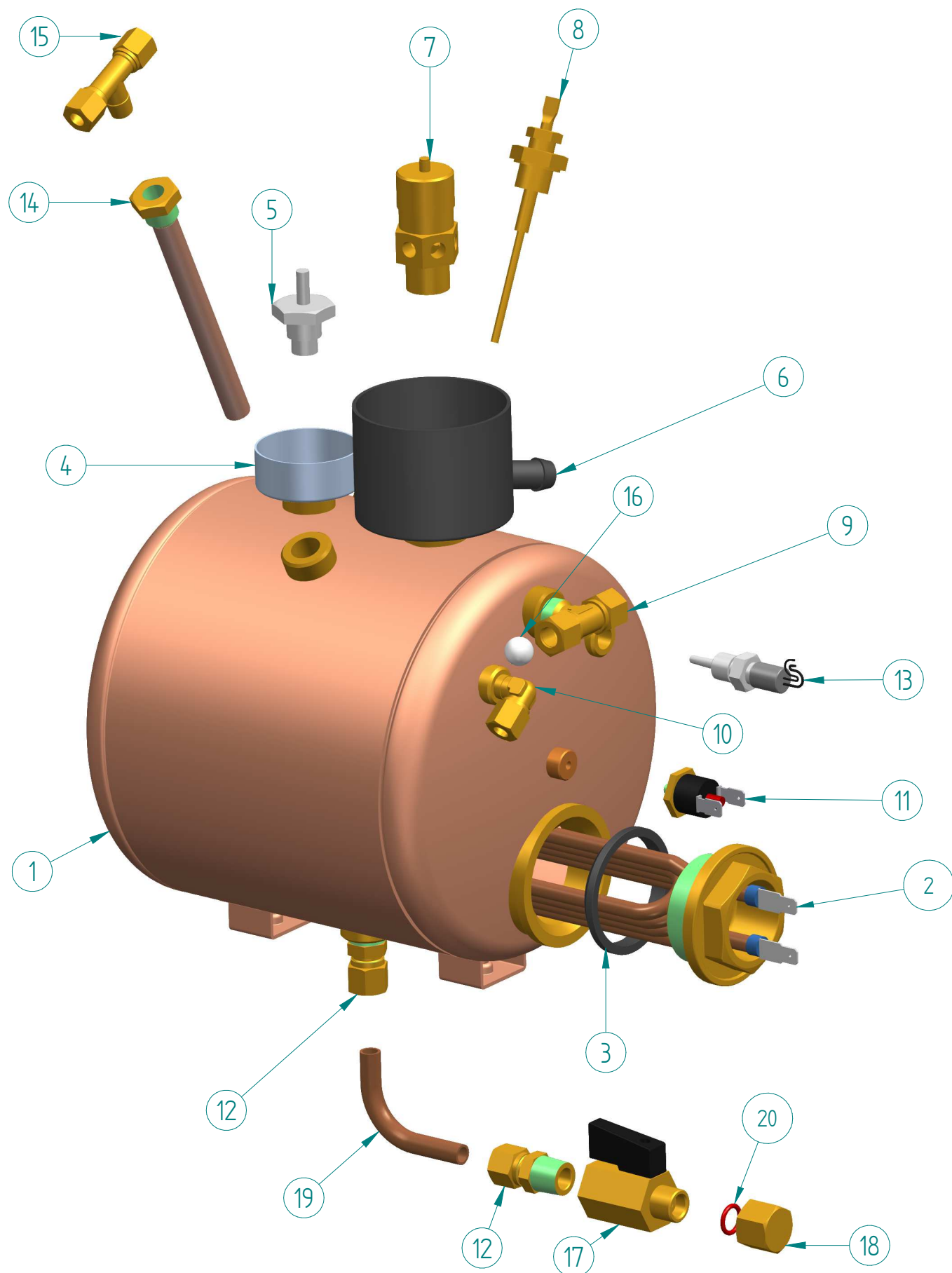
ITEM	CODE	DESCRIPTION	NOTE
	A-MC-0514ATF	COMPLETE MOTORPUMP 2GR 120W 230V 100lt	
	A-MC-2020ETL	MOTORPUMP AS.120W 230V 50/60Hz	FOR MACHINE ETL 230V
	A-MC-2021ETL	MOTORPUMP AS.120W 115V 50/60Hz	FOR MACHINE ETL 115V
1	B-00-0220A	MOTOR 120W 230V 50/60Hz CLASS F	
1 a	B-00-0386	MOTOR 120W 230V 50/60Hz UL	FOR MACHINE ETL 230V
1 b	B-00-0362	MOTOR 120W 115V 50/60Hz UL	FOR MACHINE ETL 115V
2	B-00-0010	PUMPING UNIT COUPLING - NYLON	
3	B-00-0009	PUMPING UNIT 100L	
4	-	CLAMP	Available only with B-00-0009
5	B-00-0278A	NIPPLE 3/8" FOR PUMPING ELEMENT	
6	B-00-0011	ANTIVIBRATION 20X20 M6X10 40SH	
7	B-00-0113	FLANGED NUT M6 DIN6923	
8	K-0200	PUMPING BYPASS KIT	
9	B-00-0292	CONDENSER 6 µF 450V	



ITEM	CODE	DESCRIPTION	NOTE
	A-MC-2011	EROGATION GROUP OF TEA	
1	B-00-0313	SOLENOID VALVE 2V 24V D2	
2	B-00-0012A	STRAIGHT CONNECTION 1/8" D6	
3	B-00-0021A	CONNECTION 90° 1/8" MM	
4	B-MC-2067	EXTENSION BREWING TEA L50	
5	B-MC-0052	TEA TERMINAL COUPLING	
6	B-MC-0076	COMPLETE WATER DRAIN TERMINAL	



ITEM	CODE	DESCRIPTION	NOTE
	A-MC-2004	COMPLETE COLLECTOR	
	A-MC-2004ETL	MINA ETL COMPLETE MANIFOLD	FOR MACHINE ETL 115V AND 230V
1	B-MC-2035A	MANIFOLD	
2	B-00-0158A	L-COUPLING MF 1/4"	
3	B-MC-1146	COMPLETE CHECK VALVE 3/8" - 1/4"	
4	B-00-0179A	CONICAL NIPPLE 1/8" MM	
5	B-MC-0056	INOX FILTER D8 x 2	
6	B-00-0303	SOLENOID VALVE 2V 24V AUTO-FIL	
6 a	B-00-0380	SOLENOID VALVE 2V 24V 60Hz UL	FOR MACHINE ETL 115V AND 230V
7	B-00-0012A	STRAIGHT CONNECTION 1/8" D6	
8	B-00-0291	FLOW METER D 1.0	
9	B-00-0037	OR 107 VITON FOR CHECK VALVE	

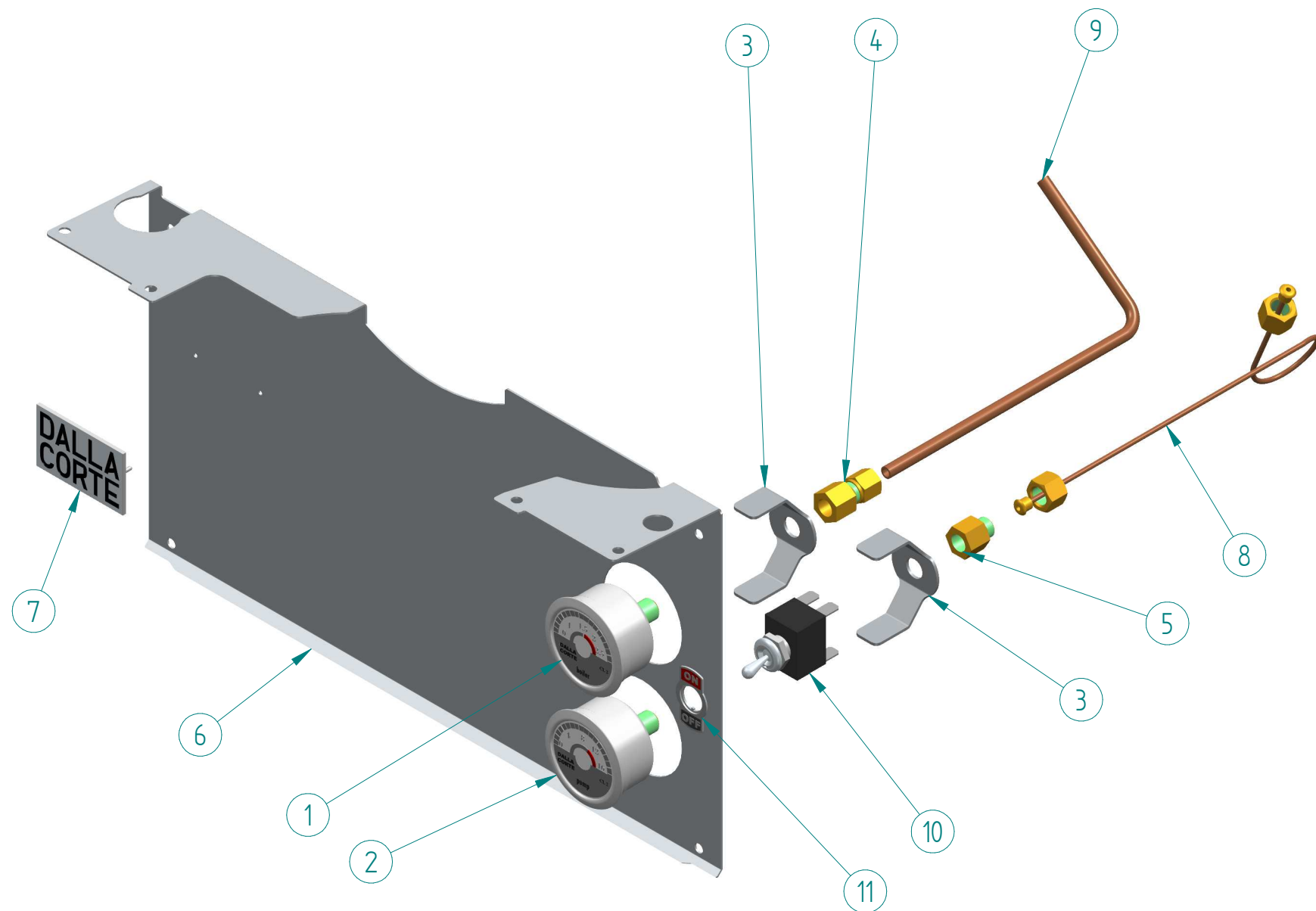


ITEM	CODE	DESCRIPTION	NOTE
	A-MC-2002	COMPLETE BOILER 3 LITER	FOR MACHINE STD AND ETL 230V
	A-MC-2002UL	COMPLETE BOILER 3L 115V	FOR MACHINE ETL 115V
1	B-MC-2008	BOILER 3 LITERS	
2	B-MC-0366A	SMINI BOILER RESIST.230V2000W	FOR MACHINE STD AND ETL 230V
2 a	B-MC-0338	BOILER RESIST. 115V1000W UL/CSA	FOR MACHINE ETL 115V
3	B-MC-0336	BOILERRESISTANCE GASKET	
4	B-MC-0209	DRAIN BOX VACUUM VALVE	
5	B-MC-0047	VACUUM VALVE 1/4"	
6	B-MC-0208	SAFETY VALVE D 17 DRAIN BOX	
7	B-MC-0048	SAFETY VALVE 3/8"	
8	B-MC-0158A	LEVEL PROBE L95	
9	B-00-0157A	T-COUPLING D8 1/4"	
10	B-00-0130A	L-COUPLING 237 D6 1/8"	
11	B-00-0024	SAFETY THERMOSTAT 1F 16A	
12	B-00-0015A	STRAIGHT COUPLING 1/4" D8	
13	B-MC-1132	TEMPERATURE PROBE PT1000 1/8"	
14	B-MC-2039	COMPLETE FISHING PIPE	
15	B-00-0064A	T-SHAPED BICONIC CONNECTION D6	
16	B-00-0316	TEFLON BAERINGS CL.1 7/16"	
17	B-00-0022A	BALL TAP 1/4"	
18	B-00-0222	CAP 1/4" F	
19	B-MC-2034	EXHAUST PIPE BOILER	ALSO ORDER n.2 pz B-00-0015A
20	B-00-0373	OR 108 8,73x1.78 VMQ FDA RED	

DALLA CORTE
SPARE PARTS CATALOGUE
MINA

DESCRIPTION COMPLETE BOILER	REV 28
ASSEMBLY CODE	EMISSION DATE OCTOBER 2020

NOTE:
* ALTERNATIVE TO THE REPRESENTED COMPONENT



POS	CODE	DESCRIPTION	NOTE
1	B-MC-2037	MANOMETER BOILER	
2	B-MC-2038	MANOMETER PUMP	
3	B-MC-1105	CLAMP MANOMETER	
4	B-00-0134A	STRAIGHT CONNECTION D6 1/8" F	
5	B-00-0187A	QUICK CONNECT STEM MF 1/8"	
6	B-MC-2041	LOWER FRONT	
7	B-MC-0698A	MEDIUM DALLA CORTE PLATE 53,5x33	
8	B-MC-2075	MANOMETER WATER PIPE L300	
9	B-MC-2027	PIPE FROM MANOMETER TO BOILER	
10	B-00-0296	SWITCH BIPOLAR PLATE	
11	B-00-0326	PLATE ON-OFF	

DALLA CORTE
SPARE PARTS CATALOGUE
MINA

DESCRIPTION
COMPLETE LOWER FRONT

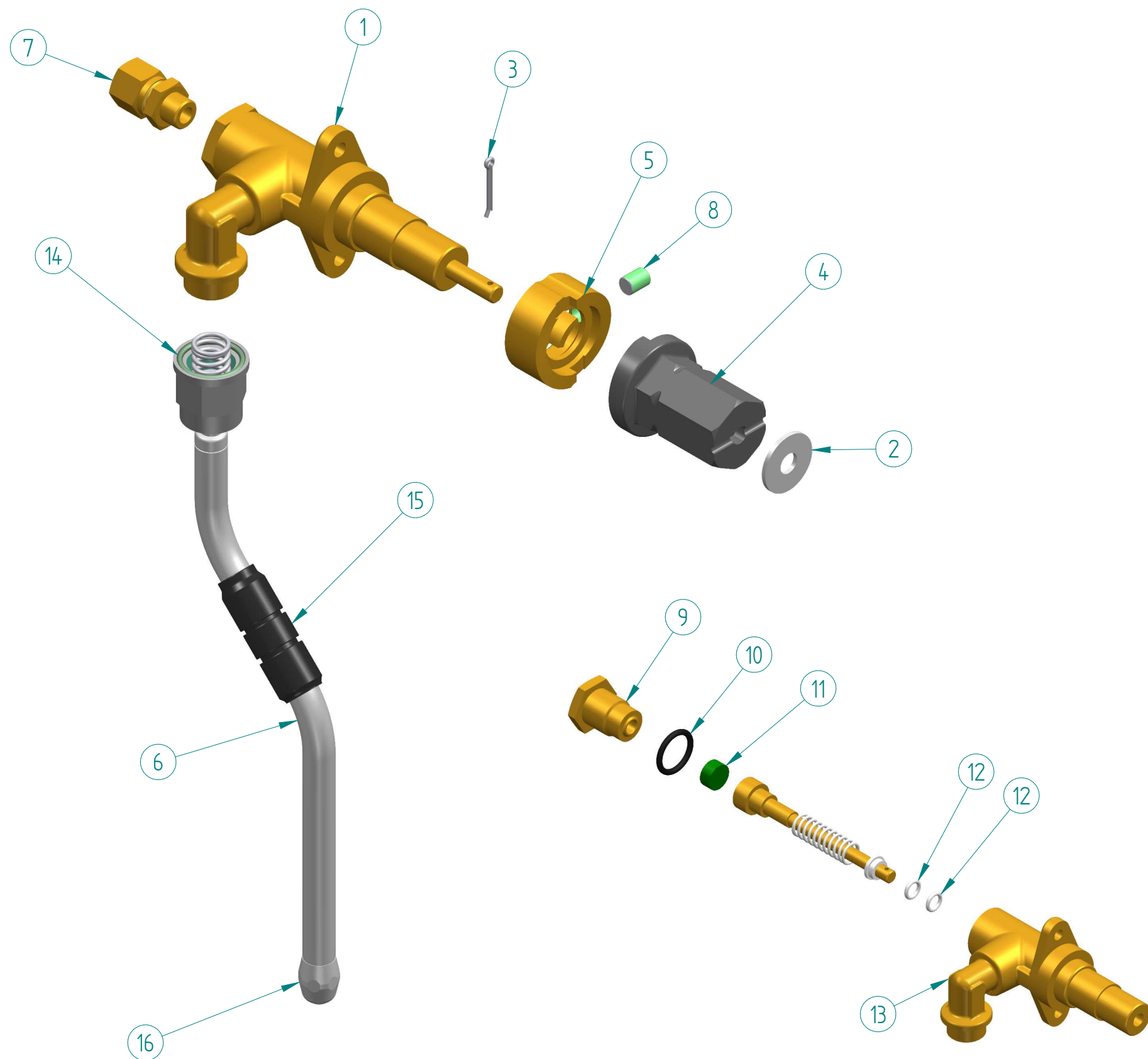
ASSEMBLY CODE

REV
28

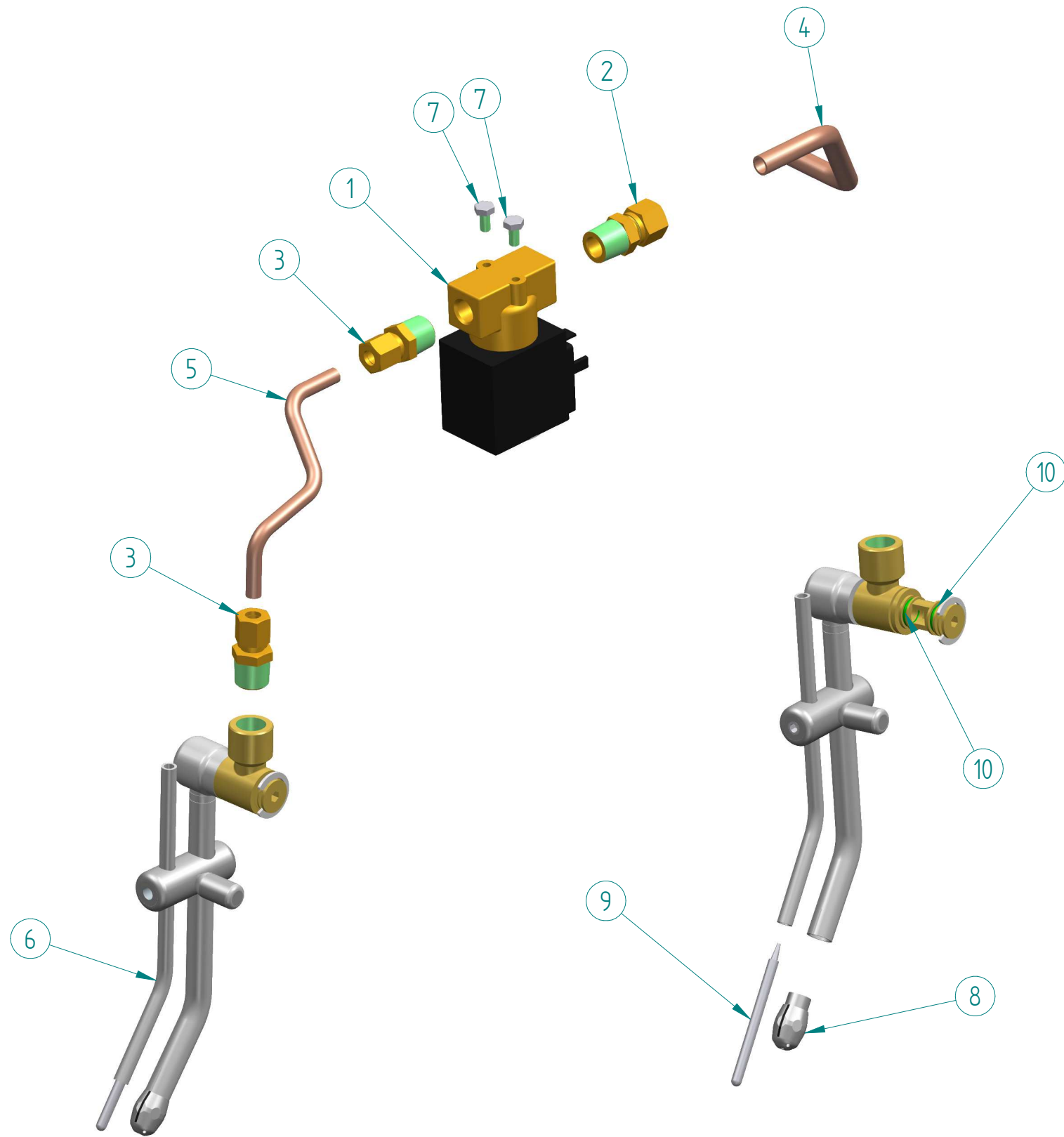
EMISSION DATE
OCTOBER 2020

NOTE:
* ALTERNATIVE TO THE REPRESENTED COMPONENT

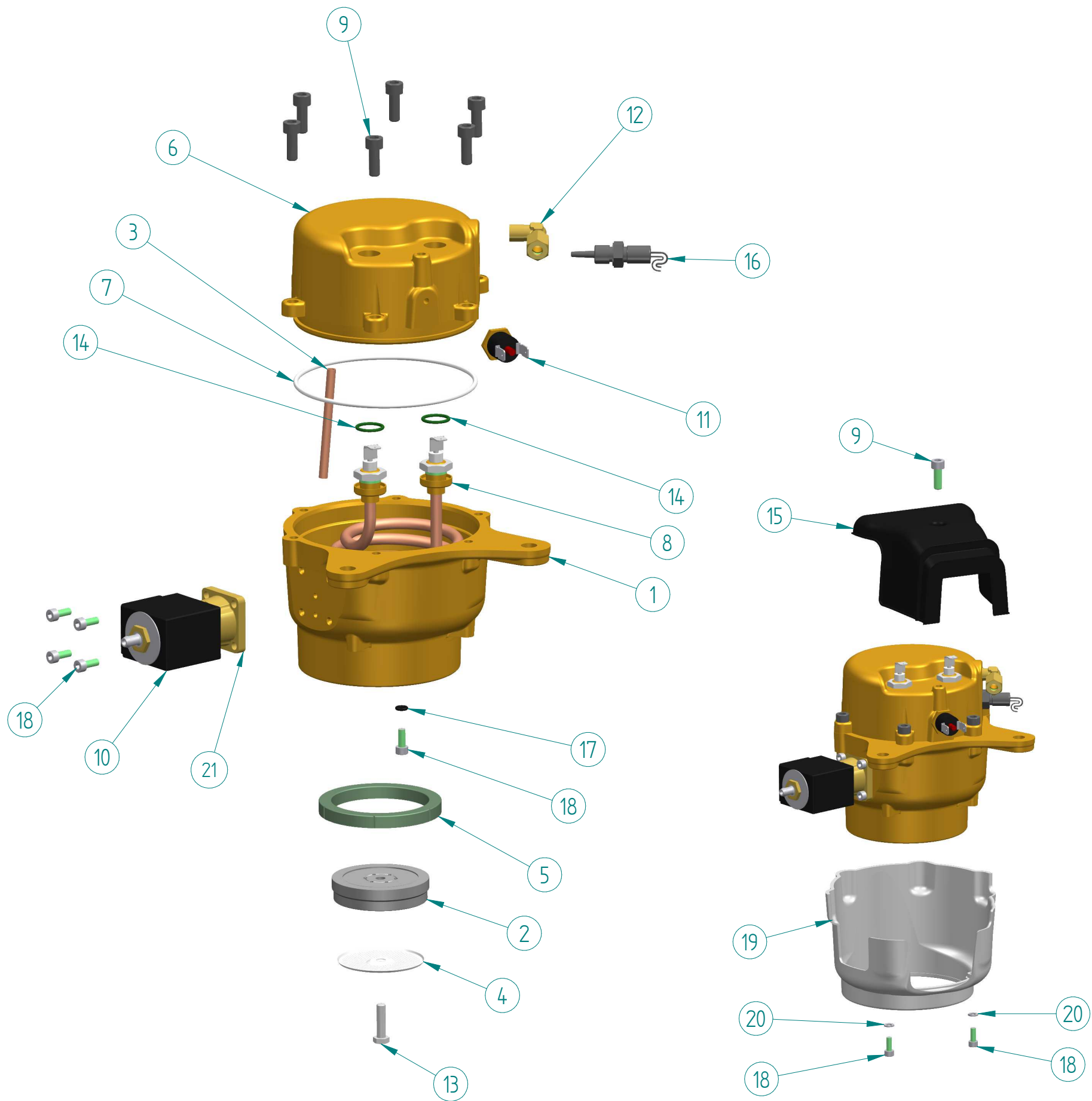
SHEET
10



ITEM	CODE	DESCRIPTION	NOTE
1	A-MC-0526A	LEFT STEAM TAP	
2	B-00-0243	WASHER A2 DIN 9021 M6	
3	B-MC-0102	STEAM TAP COTTER	
4	B-MC-0437	CAM COMPASS STEAM TAP	
5	B-MC-0438	CAM LOCK COMPASS FOR STEAM TAP	
6	B-MC-2057	COMPLETE STEAM PIPE	
7	B-00-0101A	STRAIGHT COUPLING 1/8" D8	
8	B-00-0207	GRUB SCREW M6x8 DIN913	
9	B-MC-0532A	STEAM TAP OPPOSITE BODY	
10	B-00-0033	OR 121 VITON	
11	B-MC-0112	STEAM TAP GASKET SHUTTER	
12	B-00-0032	OR 5,7x1,9 EPDM	
13	B-MC-0533	STEAM TAP 90° FITTING	
14	B-00-0355	COPPER SEAL D17	
15	B-MC-0189	STEAM PIPE SHEATH	
16	B-MC-0105	ST.PIPE SPRAYER 3 HOLES W/ OR	
16 a	B-MC-0278	ST.PIPE SPRAYER 4 HOLES W/ OR	



ITEM	CODE	DESCRIPTION	NOTE
1	B-00-0156	2-WAY SOLENOID VALVE 24V	
2	B-00-0015A	STRAIGHT COUPLING 1/4" D8	
3	B-00-0013A	STRAIGHT COUPLING 1/4" D6	
4	B-MC-2032	BOILER-SOLENOID VALVE MCS PIPE	ALSO ORDER n.2 pz B-00-0015A
5	B-MC-2033	EV - MCS PIPE	ALSO ORDER n.2 pz B-00-0013A
6	K-0151	KIT MCS WAND H145 MINA	
7	B-00-0102	SCREW TE 8.8 M4x8 DIN933	
8	B-MC-0495A	SPRAYER FOR MCS MY13 WITH OR	
9	B-MC-1160CA	MCS COMPLETE TEMPERATURE PROBE	
10	B-00-0165	OR 106 EPDM FOR MCS	



ITEM	CODE	DESCRIPTION	NOTE
	A-MC-0544	ASSEMBLED GROUP HV	FOR MACHINE STD AND ETL 230V
	A-MC-2018UL	ASSEMBLED GROUP HV UL/CSA	FOR MACHINE ETL 115V
1	B-MC-0034	GROUP BODY	
2	B-MC-1617	SHOWER HOLDER H12.5 INOX	
2a	B-MC-1628 *	SHOWER HOLDER H14 INOX	
2b	B-MC-1624 *	SHOWER HOLDER H10 INOX	
3	B-MC-0091	GROUP INNER PIPE	
4	B-MC-0039	SHOWER	
4a	B-MC-0461 *	SHOWER SCREEN	
4b	B-MC-0039A *	NANOTECHNOLOGY SHOWER	
5	B-MC-0128	GASKET H7 70/75 SH	
5a	B-MC-0468 *	GASKET H7,7 70/75 SH	
5b	B-MC-0470 *	GASKET H6.5 68X54 W/NOTCHES	
5c	B-MC-0714 *	GASKET H7 85 SH HNBR BLACK	
5d	B-MC-0269 *	GASKET DEPTH TH. 0.5	
6	B-MC-0004	GROUP HEAD	
7	B-00-0034	OR 3375/BS 154 94,92x2,62	
8	B-MC-0003	GROUP HEATING ELEMENT 230V 850W	FOR MACHINE STD AND ETL 230V
8 a	B-MC-0231A	GROUP HEATING ELEMENT 115V 800W	FOR MACHINE ETL 115V
9	B-00-0109	SCREW TCEI A2 M6x16 DIN912	
10	B-00-0025	SOLENOID VALVE 3-WAY 24V	
11	B-00-0024	SAFETY THERMOSTAT 1F 16A	
12	B-00-0130A	L-COUPLING 237 D6 1/8"	
13	B-00-0054	SCREW TE A2 M5X20 DIN933	FOR SHOWER HOLDER H12,5/14
13a	B-00-0205 *	SCREW TE A2 M5x16 DIN933	FOR SHOWER HOLDER H10
14	B-00-0046A	OR 11.30 x 2.40 FPM/70.vd	
15	B-MC-0211	GROUP HEATING ELEMENT PROTECTION	
16	B-MC-1132	TEMPERATURE PROBE PT1000 1/8"	
17*	B-00-0100	OR 2015/BS 007 3,68x1,78	
18	B-00-0110	SCREW TCEI A2 M4x10 DIN912	
19	B-MC-0668	GROUP BODY COVER	
20	B-00-0251	ELASTIC WASHER D4	
21	B-00-0036	OR 105 VITON SOLENOID VALVE GR	

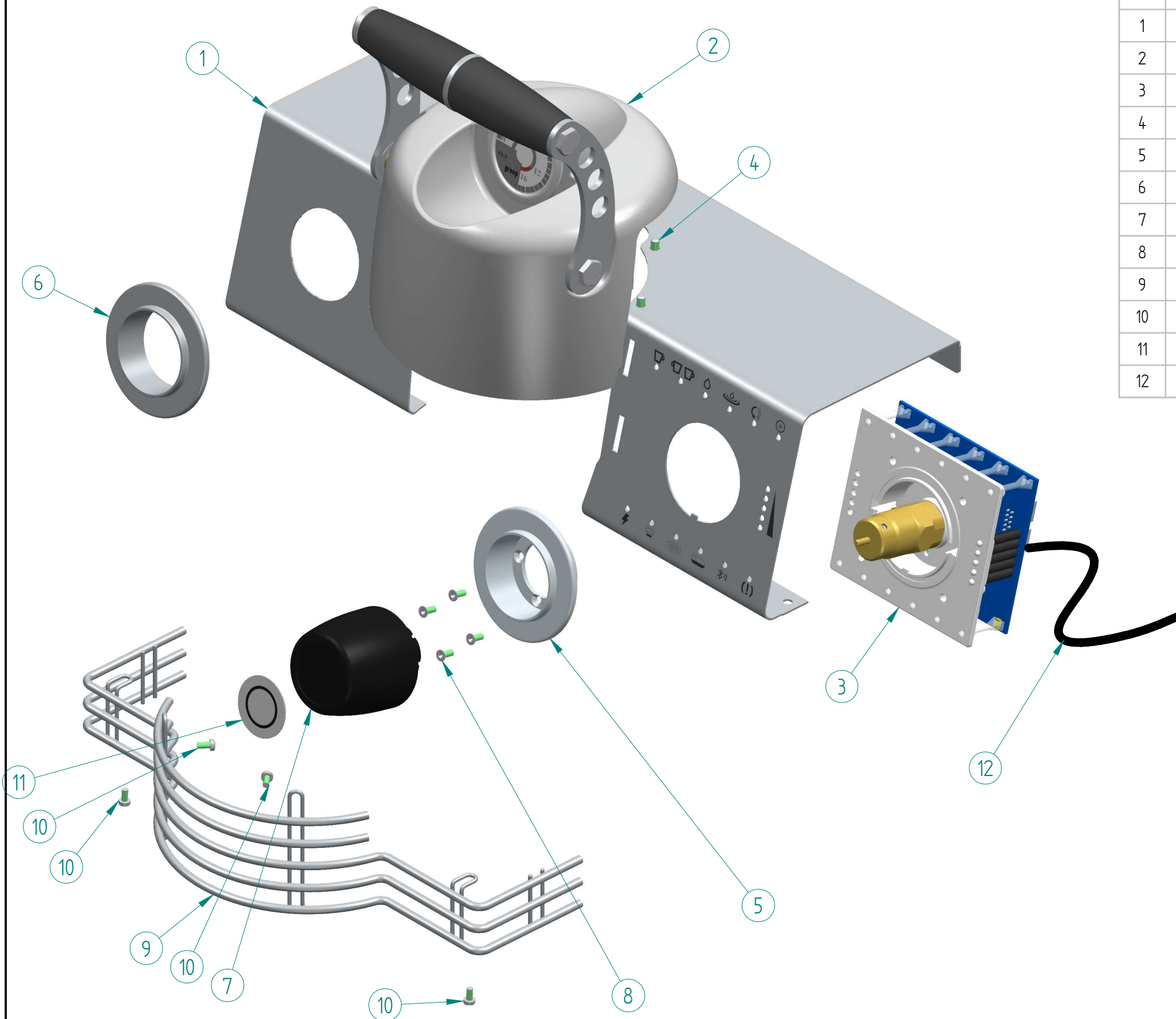
DALLA CORTE
SPARE PARTS CATALOGUE
MINA

DESCRIPTION
ASSEMBLED GROUP
ASSEMBLY CODE

REV
28
EMISSION DATE
OCTOBER 2020

NOTE:
* ALTERNATIVE TO THE REPRESENTED COMPONENT

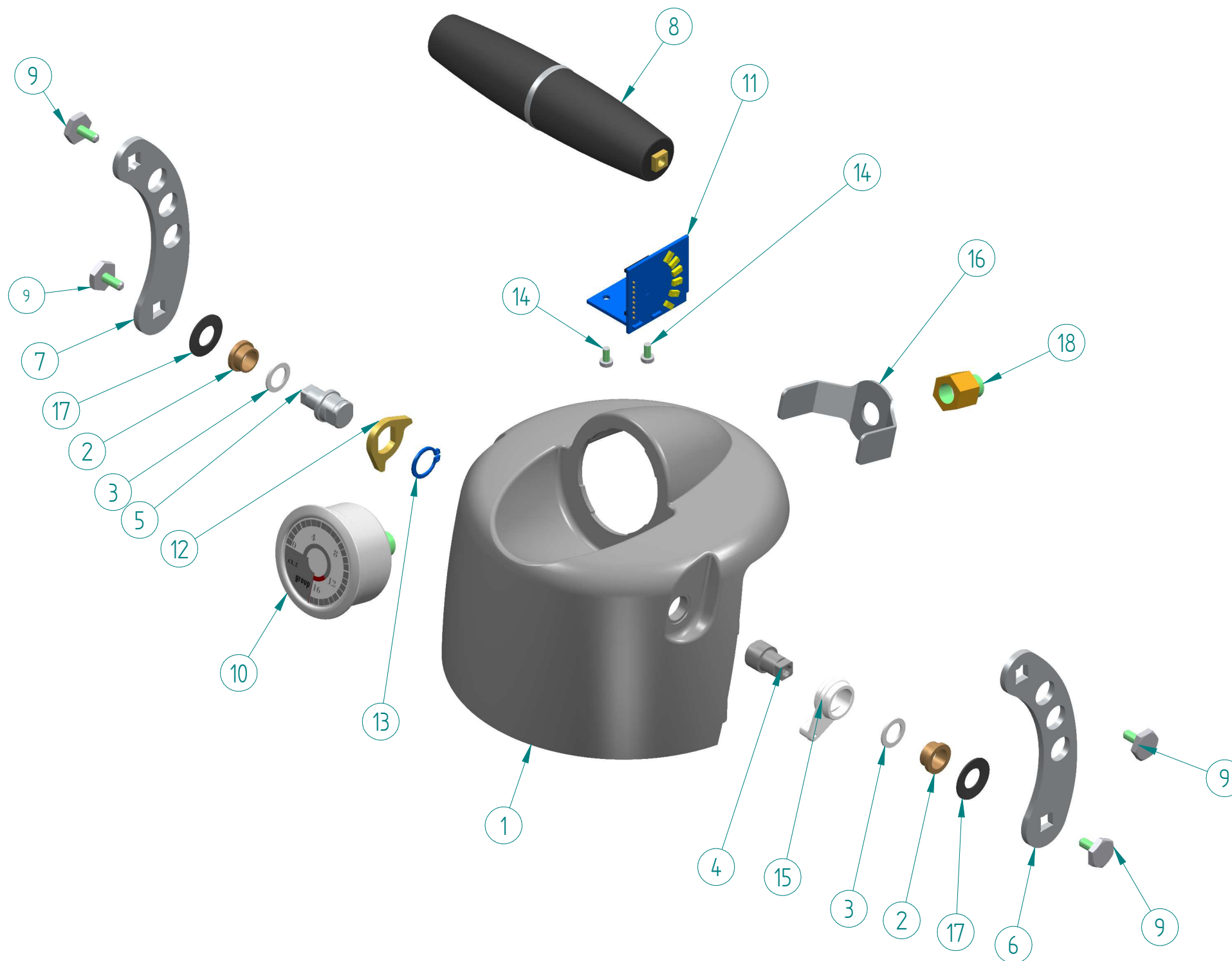
SHEET
13



ITEM	CODE	DESCRIPTION	NOTE
1	B-MC-2054	UPPER FRONT	
2	A-MC-2007	CENTRAL FRONT CONTROLS	
3	A-MC-2008	COMPLETE GROUP SWITCH	See Detail Sheet 15
4	B-00-0111	SCREW TC+ A2 M4x6 DIN7985	See Detail Sheet 16
5	B-MC-2002	DIAL SWITCH KNOB	N.4 PIECES REQUIRED
6	B-MC-2003	NUT KNOB STEAM TAP	
7	B-MC-1075	KNOB	
8	B-00-0300	SCREW M3 x 8	
9	B-MC-2013	GRILL PROTECTION GROUP	
10	B-00-0182	SCREW TC+ M3x6 DIN7985 ZN	
11	B-MC-2061	STICKER WITH LOGO SELECTOR KNOB	N.2 PIECES REQUIRED
12	B-MC-2099	LEVER BOARD CONNECTION CABLE	

DALLA CORTE SPARE PARTS CATALOGUE MINA	DESCRIPTION	REV	NOTE: * ALTERNATIVE TO THE REPRESENTED COMPONENT	SHEET 14
	COMPLETE FRONT	28		
ASSEMBLY CODE	EMISSION DATE			
A-MC-2009	OCTOBER 2020			

DALLA CORTE SRL reserves by law the property of the drawing, prohibiting its reproduction or disclosure to third parties or competitors without prior written advice.



POS	CODE	DESCRIPTION	NOTE
	A-MC-2007	CENTRAL FRONT CONTROLS	
1	B-MC-2001	COVER GROUP MINA	
2	B-MC-2045	BUSH FOR PIVOT CLOCHE	
3	B-MC-2047	WASHER PTFE FOR CLOCHE BUSH	
4	B-MC-2046	RIGHT PIVOT CLOCHE	
5	B-MC-2082	LEFT PIVOT CLOCHE	
6	B-MC-2055DX	RIGHT CLOCHE	
7	B-MC-2055SX	LEFT CLOCHE	
8	A-MC-2006	KNOB FOR COMPLETE CONTROL LEVEL	
9	B-00-0297	SCREW TE M4x10 AISI 303	
10	B-MC-2036	FLANGED MANOMETER GROUP PRESSURE	
11	B-MC-2017	ELECTRONIC CARD CLOCHE	
12	B-MC-2056	CLOCHE STOP	
13	B-00-0306	SEEGER RING FOR SHAFT D12	
14	B-00-0182	SCREW TC+ M3x6 DIN7985	
15	A-MC-2013	LEVER DISK WITH MAGNETIC	
16	B-MC-1105	CLAMP MANOMETER	
17	B-00-0327	CUP SPRING BAUER 18x9,2x0,7	
18	B-00-0187A	EXTENSION 1/8" MF	

DALLA CORTE
SPARE PARTS CATALOGUE
MINA

DESCRIPTION
CENTRAL FRONT CONTROLS

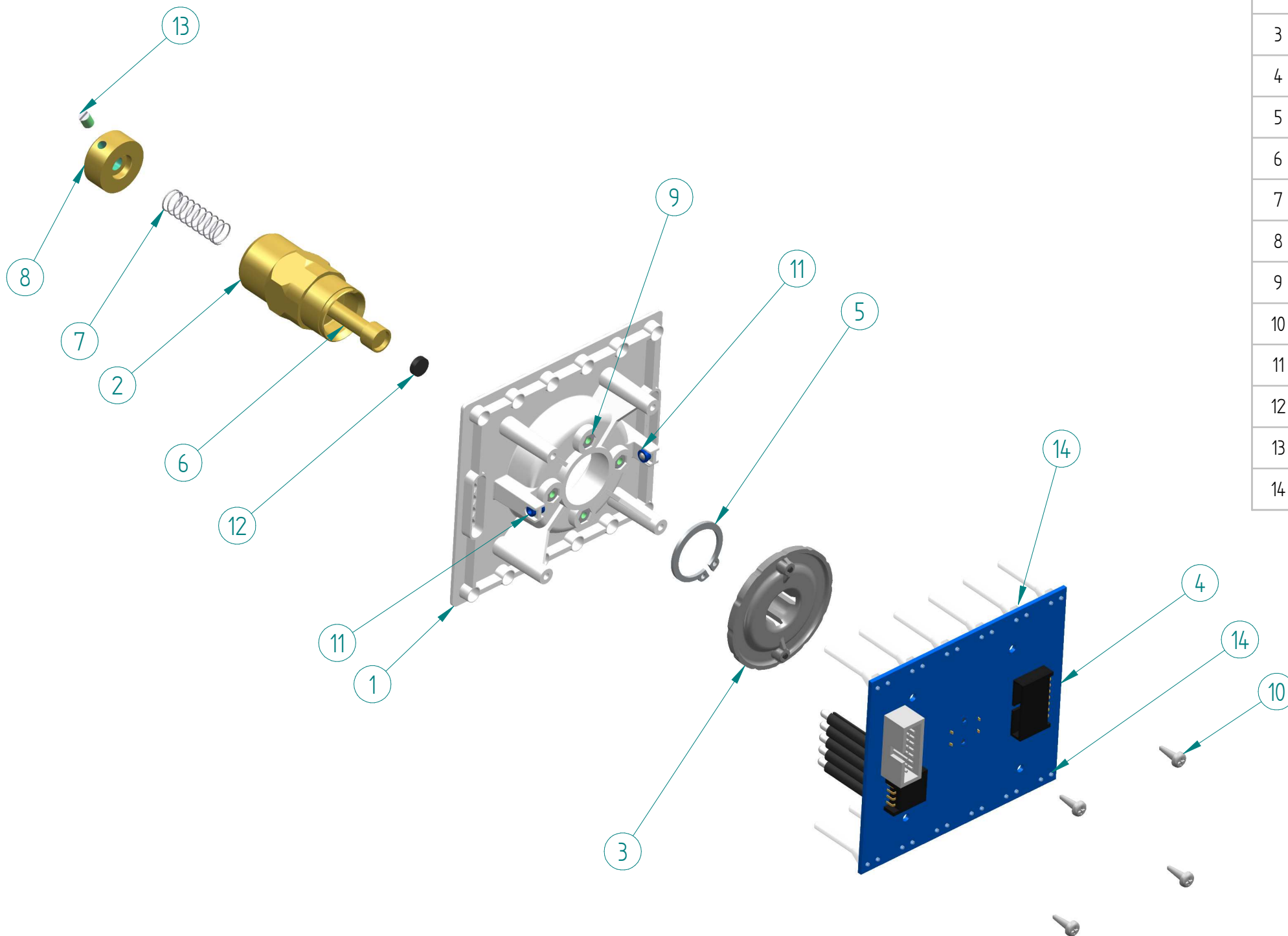
ASSEMBLY CODE
A-MC-2007

REV
28

EMISSION DATE
OCTOBER 2020

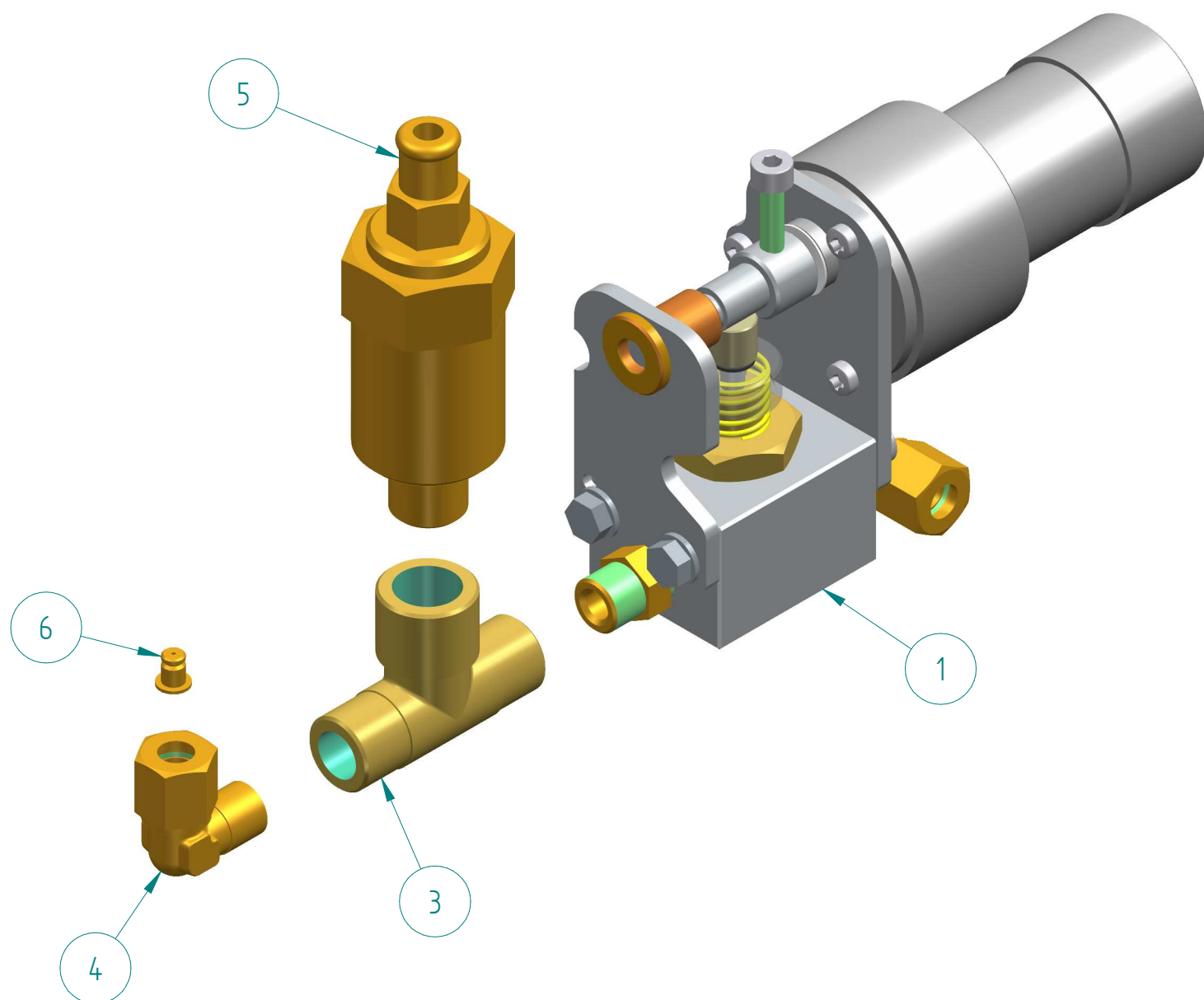
NOTE:
* ALTERNATIVE TO THE REPRESENTED COMPONENT

SHEET
15



ITEM	CODE	DESCRIPTION	NOTE
1	B-MC-2004	SUPPORT SELECTOR KNOB	
2	B-MC-2019	SUPPORT KNOB AND DISK MAGNETS	
3	A-MC-2012	DISK SWITCH WITH MAGNETICS	
4	B-MC-2016	DATA SWITCH WITH LIGHT GUIDE	
5	B-00-0293	SEEGER RING D20	
6	B-MC-2020	PROBE SWITCH	
7	B-GR-0028	PROBE SPRING	
8	B-MC-2021	DRIVE TOUCH PROBE	
9	B-00-0135	NUT M3 UNI5588	UNABLE TO ORDER
10	B-00-0122	SCREW TSP 2,9x9,5 DIN7982 INOX	
11	B-00-0289	PRESSURE WITH SPRING	UNABLE TO ORDER
12	B-MC-2022	EPDM SH60 FOR TOUCH PROBE	
13	B-00-0195	GRUB SCREW M4 X 6	
14	B-00-0307	SELECTOR BOARD LIGHT GUIDE	

POS	CODE	DESCRIPTION	NOTE
	A-MC-2017CV	COMPLETE FLOW REGULATOR + COVERSREW EPDM	
1	A-MC-1058	VALVE FOR FLOW REGULATOR	
3	B-00-0344	T-SHAPED CONN. FFF 1/8"-1/4"-1/8"	
4	B-00-0130A	L-COUPLING 237 D6 1/8"	
5	B-MC-0120A	COMPLETE EXPANSION VALVE 1/4"	
6	B-MC-2094	GIGLEUR 0,7mm	



DALLA CORTE
SPARE PARTS CATALOGUE
MINA

DESCRIPTION
COMPLETE FLOW REGULATOR

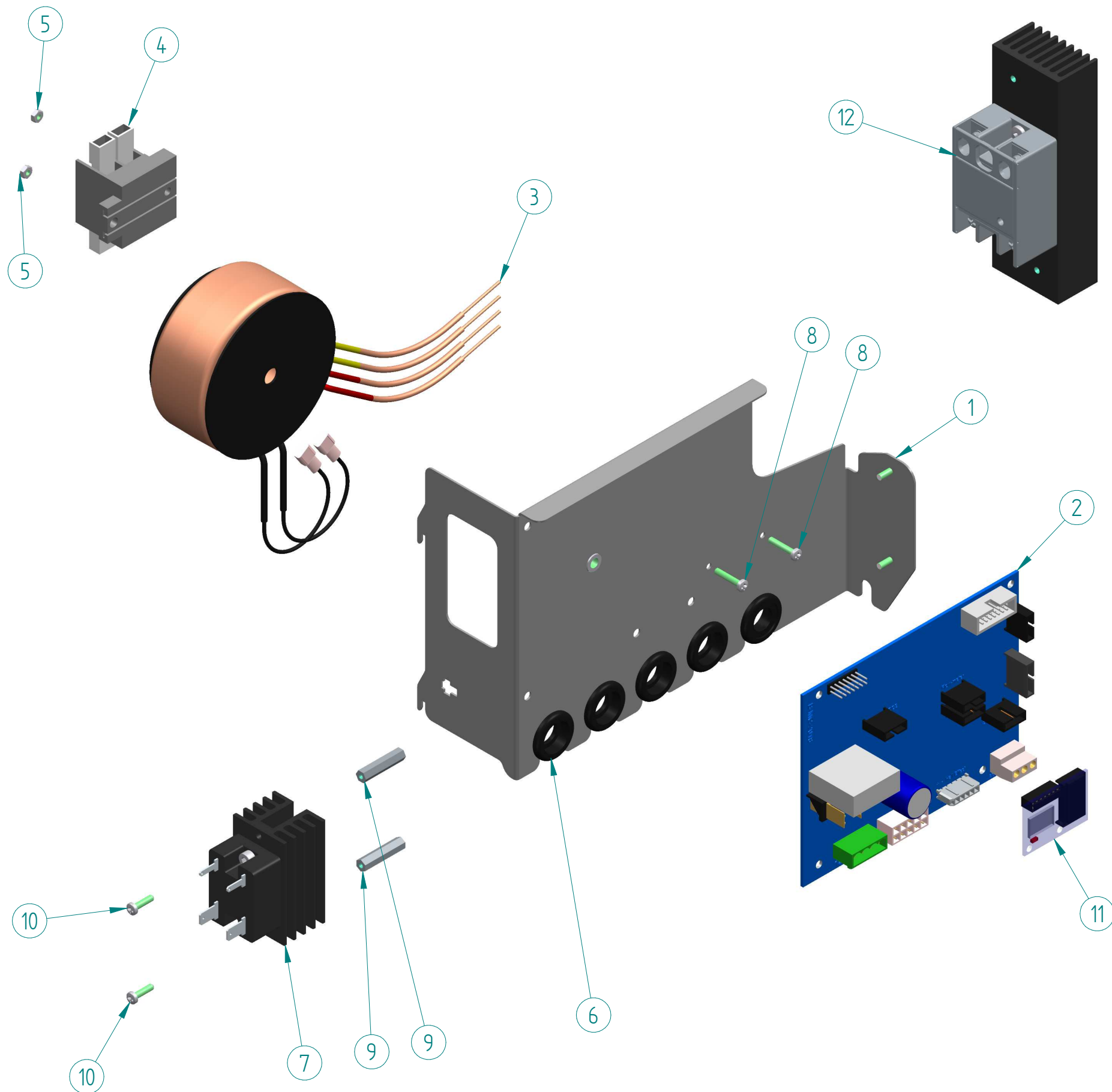
ASSEMBLY CODE
A-MC-2017CV

REV
28

EMISSION DATE
OCTOBER 2020

NOTE:
* ALTERNATIVE TO THE REPRESENTED COMPONENT

SHEET
17



ITEM	CODE	DESCRIPTION	NOTE
	A-MC-2003	COMPLETE ELECTRONIC BOARD	
	A-MC-2003ETL	ELECTRIC BOX MINA ETL 230V	FOR MACHINE ETL 230V
	A-MC-2022	ELECTRIC BOX MINA ETL 115V	FOR MACHINE ETL 115V
1	B-MC-2023	ELECTRONIC BOARD SUPPORT	
2	B-MC-2018A	MAIN BOARD + BLUETOOTH	
3	B-00-0286	TRANSFORMER 230-24V 50VA/12V 15VA	
3 a	B-00-0169	TRANSF. 230V-24V 95VA/12V 15VA	FOR MACHINE ETL 230V
3 b	B-00-0329	TRANSF. 115-24V 50VA/12V 15VA	FOR MACHINE ETL 115V
4	A-MC-0054	FASTON 4 POLES 6,3 COMPLETE TERMINAL BOARD	
5	B-00-0135	NUT M3 UNI5588	
6	B-MC-0195	GROMMET PG16	
7	A-MC-2005	STATIC RELAY GROUP	See Detail Sheet 19
8	B-00-0192	SCREW TC+ A2 M3x16 DIN7985	
9	B-00-0324	SPACER 5,5x25 M3	
10	B-00-0261	SCREW TC+ A2 M3x12 DIN7985	
11	B-MC-2083	BLUETOOTH MODULE	
12	A-MC-2016	STATIC RELAY BOILER	See Detail Sheet 19
13	B-MC-2070	MINA COMPLETE WIRING	
14 *	B-MC-0486	POWER CABLE 220V	
15 *	B-MC-2097	POWER CABLE 220V 20A UL/CSA	FOR MACHINE ETL 230V
16 *	B-MC-0448	POWER CABLE 115V 15A UL/CSA	FOR MACHINE ETL 115V

DALLA CORTE
SPARE PARTS CATALOGUE
MINA

DESCRIPTION
COMPLETE ELECTRONIC BOARD

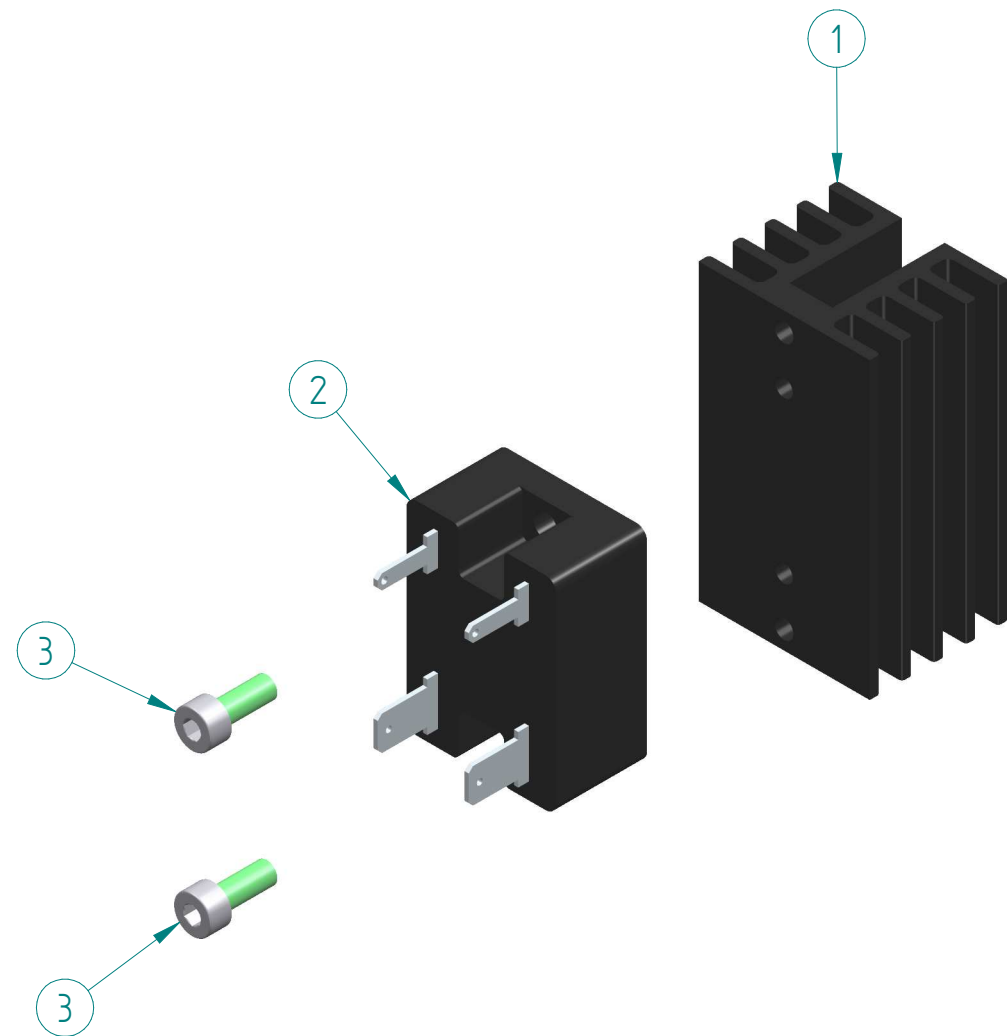
ASSEMBLY CODE

REV
28

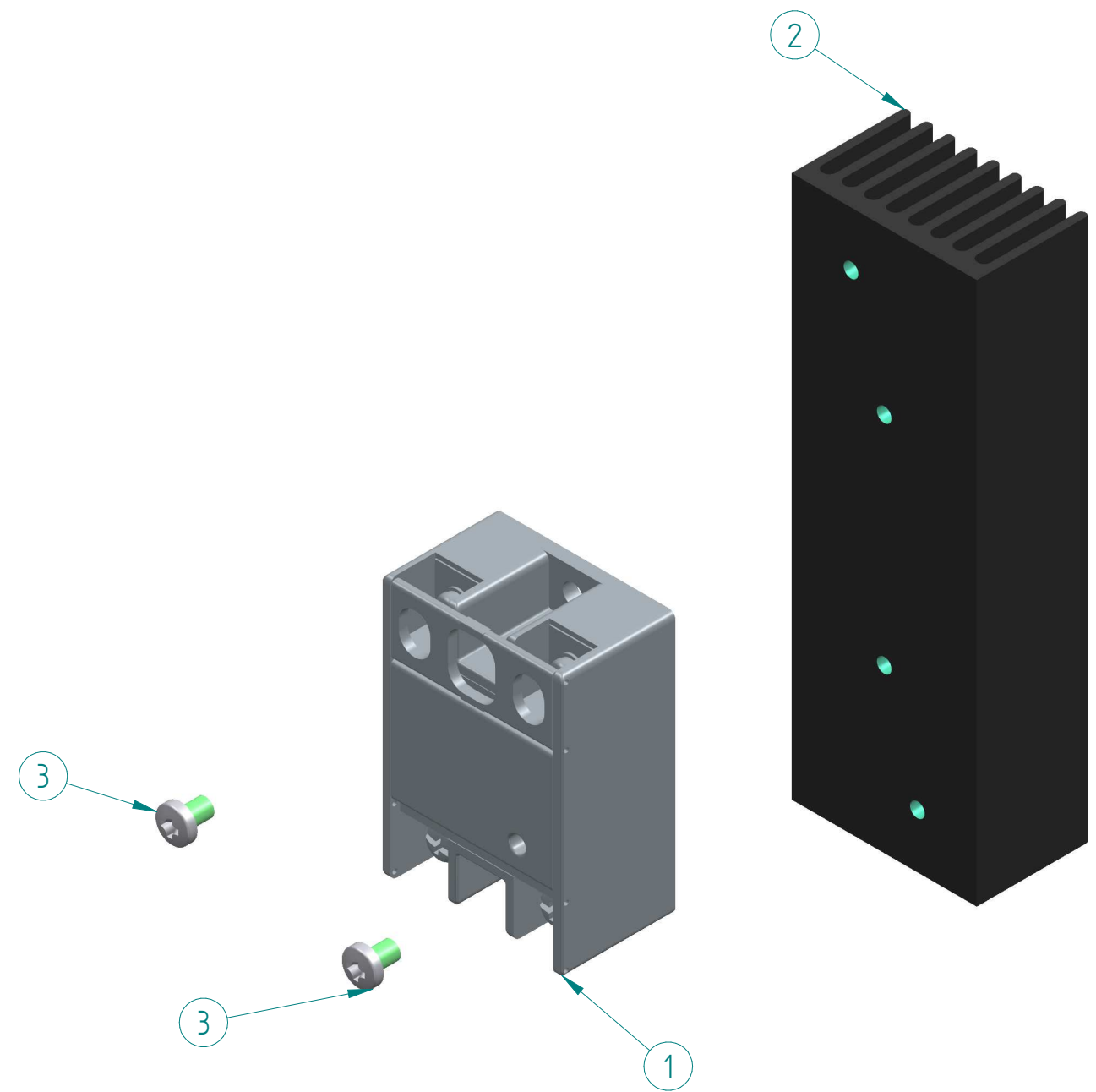
EMISSION DATE
OCTOBER 2020

NOTE:
* ALTERNATIVE TO THE REPRESENTED COMPONENT

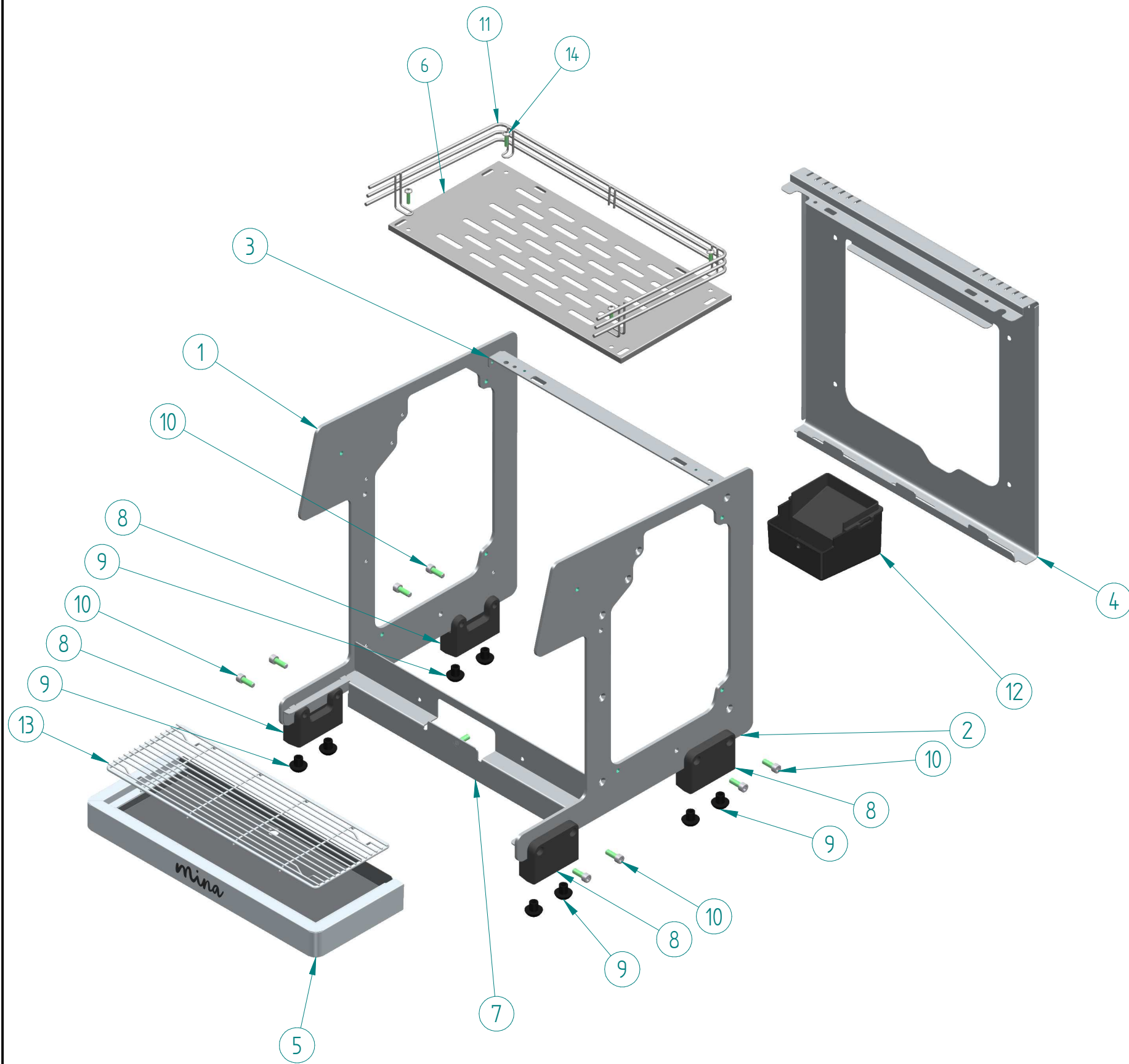
SHEET
18



POS	CODE	DESCRIPTION	NOTE
	A-MC-2005	STATIC RELAY GROUP	
1	B-MC-2073	HEATSINK STATIC RELAY GROUP	
2	B-00-0314	RELAY GROUP MINA	
3	B-00-0110	SCREW TCEI A2 M4x10 DIN912	



POS	CODE	DESCRIPTION	NOTE
	A-MC-2016	STATIC RELAY BOILER	
1	B-00-0315	RELAY BOILER MINA	
2	B-MC-2072	HEATSINK STATIC RELAY BOILER	
3	B-00-0111	SCREW TC+ A2 M4x6 DIN7985	



ITEM	CODE	DESCRIPTION	NOTE
1	B-MC-2043A	LEFT SIDE	
2	B-MC-2044A	RIGHT SIDE	
3	B-MC-2012	CROSS BACK	
4	B-MC-2042	REAR PANEL	
5	B-MC-2052C	TRAY	
6	B-MC-2053	CUP HOLDER GRID	
7	B-MC-2040A	COMPLETE SUPPORT DRAIN TANK	
8	B-MC-2007	FOOT	
9	B-00-0196	RUBBER FOOT	
9a	K-0158 *	REGULATION FOOT KIT	
10	B-00-0109	SCREW TCEI A2 M6x16 DIN912	
11	B-MC-2014A	GRILL CONTAINMENT CUPS	
12	B-MC-2093	DRAIN TANK MINA	See Detail Sheet 23
13	B-MC-2015	GRILL TRAY	
14	B-00-0295	SCREW TBEI A2 M4x8 UNI7380	

DALLA CORTE
SPARE PARTS CATALOGUE
MINA

DESCRIPTION
COMPLETE EXTERNAL BASE FRAME

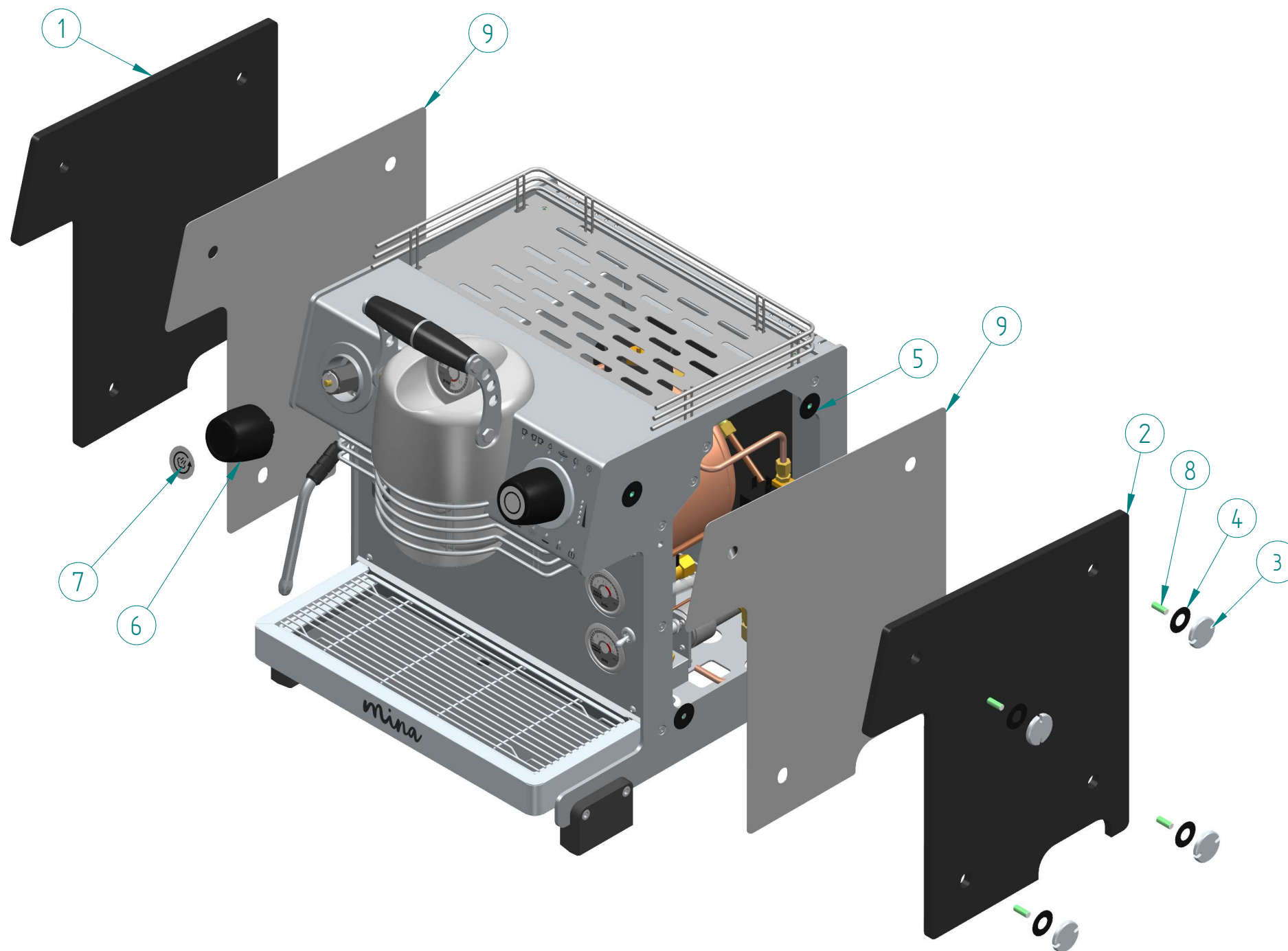
ASSEMBLY CODE

REV
28

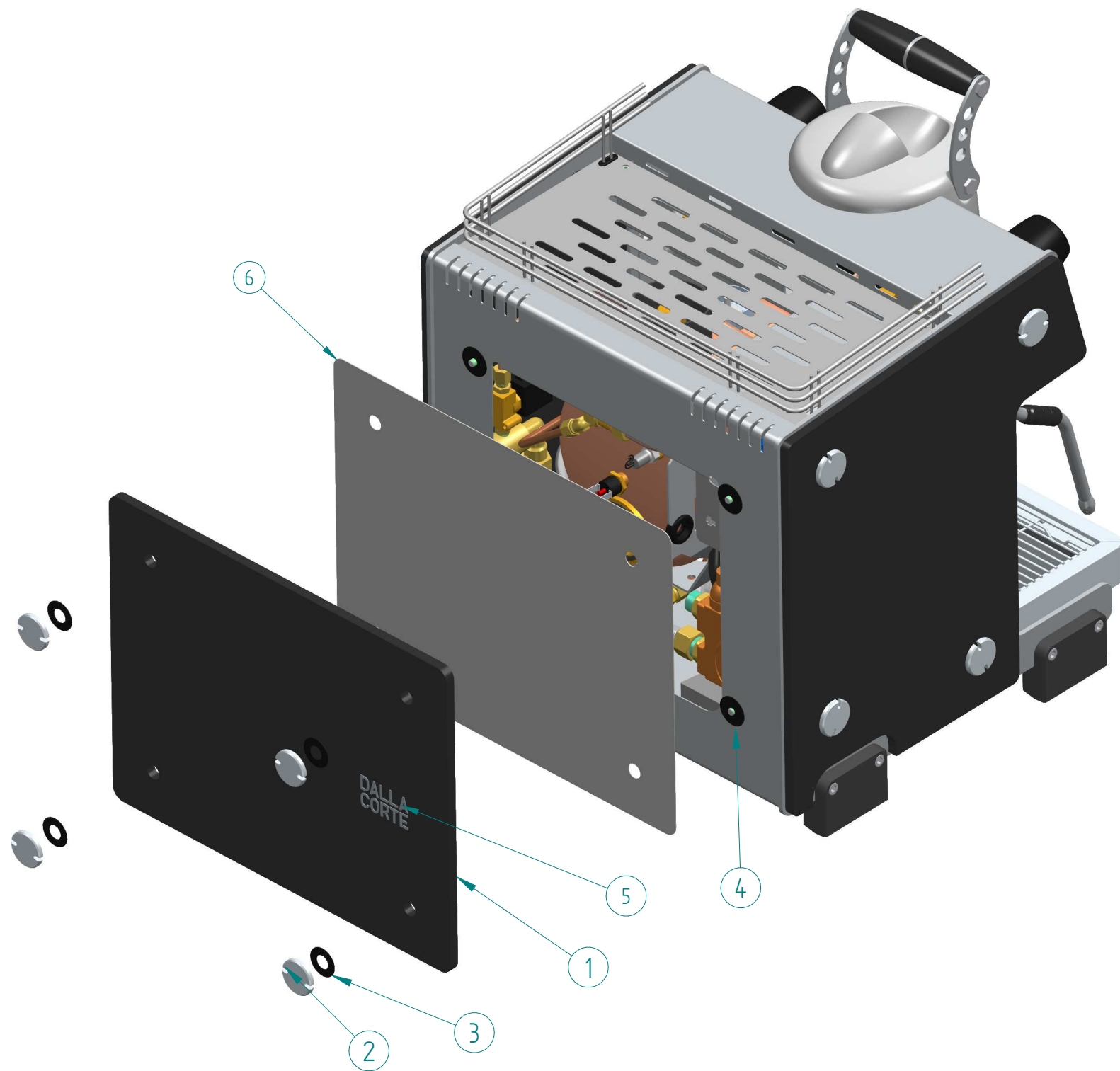
EMISSION DATE
OCTOBER 2020

NOTE:
* ALTERNATIVE TO THE REPRESENTED COMPONENT

SHEET
20

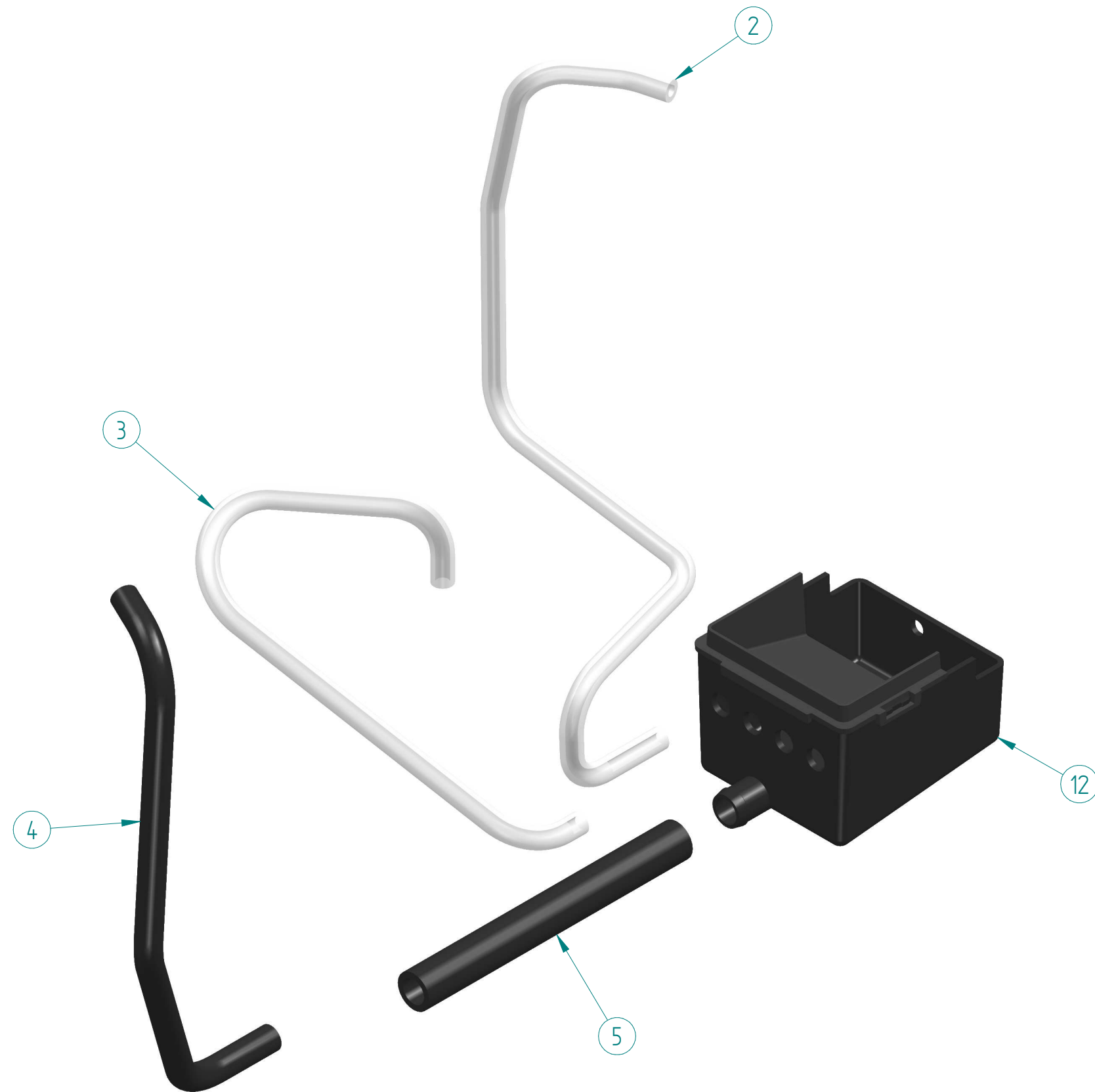


POS	CODE	DESCRIPTION	NOTE
1	-	LEFT EXTERNAL SIDE	
1a	B-MC-2049AQ	COFFEERAMA	
1b	B-MC-2049BB	BLACK BB	
1c	B-MC-2078CSHH	COUNTRY GREEN / COUNTRY BLUE	
1d	B-MC-2049DB	DEC. STONE	
1e	B-MC-2049DO	DARK EARTH OAK	
1f	B-MC-2049GL	GLASS	
1g	B-MC-2078HHCS	COUNTRY BLUE / COUNTRY GREEN	
1h	B-MC-2049LO	LIGHT OAK	
1i	B-MC-2049PN	BLACK SOFT TOUCH	
1l	B-MC-2049PY	YELLOW SOFT TOUCH	
1m	B-MC-2049VW	VENICE WOOD	
1n	B-MC-2049W	WHITE MATT	
1o	B-MC-2049WV	WOOD VENEER	
1p	B-MC-2049YE	YELLOW MATT	
1q	B-MC-2049CRG	COFFEERAMA GLOSS	
1r	B-MC-2049CRM	COFFEERAMA MATT	
2	-	RIGHT EXTERNAL SIDE	
2a	B-MC-2050AQ	COFFEERAMA	
2b	B-MC-2050BB	BLACK BB	
2c	B-MC-2078CSHH	COUNTRY GREEN / COUNTRY BLUE	
2d	B-MC-2050DB	DEC. STONE	
2e	B-MC-2050DO	DARK EARTH OAK	
2f	B-MC-2049GL	GLASS	
2g	B-MC-2078HHCS	COUNTRY BLUE / COUNTRY GREEN	
2h	B-MC-2050LO	LIGHT OAK	
2i	B-MC-2050PN	BLACK SOFT TOUCH	
2l	B-MC-2050PY	YELLOW SOFT TOUCH	
2m	B-MC-2050VW	VENICE WOOD	
2n	B-MC-2050W	WHITE MATT	
2o	B-MC-2050WV	WOOD VENEER	
2p	B-MC-2050YE	YELLOW MATT	
2q	B-MC-2049CRG	COFFEERAMA GLOSS	
2r	B-MC-2049CRM	COFFEERAMA MATT	
3	B-MC-2048A	FIXING BRUSH	n.4 Pieces for each panel
4	B-MC-2085	GASKET NBR D. 25x12x0.5	n.4 Pieces for each panel
5	B-MC-2084	GASKET NBR D. 25x6x0.5	n.4 Pieces each panel (Only with glass)
6	B-MC-1075	KNOB	
7	B-MC-2062	STEAM STICKER	
8	B-00-0299	GRAIN M6 x 16	n.4 Pieces for each panel
9	B-MC-2096	SIDE PROTECTION UL	FOR MACHINE ETL 115V AND 230V



POS	CODE	DESCRIPTION	NOTE
1	-	REAR PANEL	
1a	B-MC-2051AQ	COFFEERAMA	
1b	B-MC-2051BB	BLACK BB	
1c	B-MC-2079CSH	COUNTRY GREEN / COUNTRY BLUE	
1d	B-MC-2051DB	DEC. STONE	
1e	B-MC-2051DO	DARK EARTH OAK	
1f	B-MC-2051GL	GLASS	
1g	B-MC-2051CRM	COFFEERAMA MATT	
1h	B-MC-2051LO	LIGHT OAK	
1i	B-MC-2051PN	BLACK SOFT TOUCH	
1l	B-MC-2051PY	YELLOW SOFT TOUCH	
1m	B-MC-2051VW	VENICE WOOD	
1n	B-MC-2051W	WHITE MATT	
1o	B-MC-2051WV	WOOD VENEER	
1p	B-MC-2051YE	YELLOW MATT	
1q	B-MC-2051CRG	COFFEERAMA GLOSS	
2	B-MC-2048A	FIXING BRUSH	n.4 Pieces for each panel
3	B-MC-2085	GASKET NBR D. 25x12x0.5	n.4 Pieces for each panel
4	B-MC-2084	GASKET NBR D. 25x6x0.5	n.4 Pieces each panel (Only with
5	B-MC-2089	DALLA CORTE LOGO	
6	B-MC-2095	REAR PROTECTION UL	FOR MACHINE ETL 115V AND 230V

POS	CODE	DESCRIPTION	NOTE
1	B-MC-2093	DRAIN TANK MINA	
2	B-00-0325	TUBE OF SILICONE 6x10 TRANSPARENT EV	FOR SOLENOID VALVE (AT METER)
3	B-00-0325	TUBO OF SILICONE 6x10 TRANSPARENT VE	FOR EXPANSION VALVE (AT METER)
4	B-00-0084	TUBO OF SILICONE BLACK SH60 Ø8x12 VS	FOR SAFETY VALVE (AT METER)
5	B-00-0045	SPIRAL TUBE BLACK	FOR DISCHARGE (AT METER)



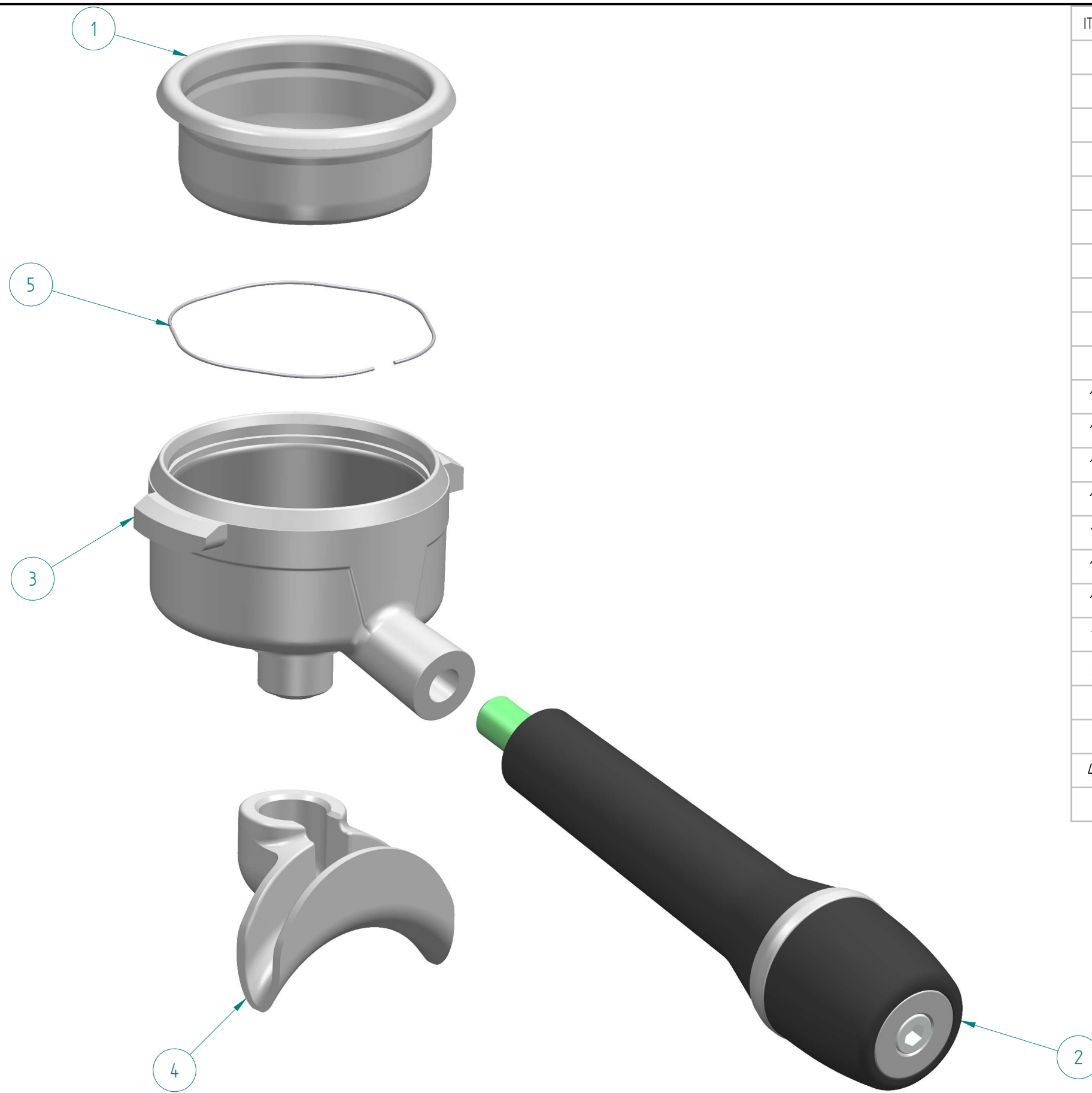
DALLA CORTE
SPARE PARTS CATALOGUE
MINA

DESCRIPTION	COMPLETE DRAIN TANK MINA
ASSEMBLY CODE	

REV	28
EMISSION DATE	OCTOBER 2020

NOTE:	* ALTERNATIVE TO THE REPRESENTED COMPONENT

SHEET	23
-------	----



ITEM	CODE	DESCRIPTION	NOTE
	A-MC-1027C	COMPLETE 2-CUPS PORTAFILTER	
	B-MC-1171A *	PORTAFILTER NAKED D54	
	A-MC-1520-0 *	NAKED D54 PORTAFILTER OAK	
	A-MC-1520-WN *	NAKED D54 PORTAFILTER WALNUT	
	A-MC-1529A-0 *	2-CUP PORTAFILTER OAK	
	A-MC-1529A-WN *	2-CUP PORTAFILTER WALNUT	
	A-MC-1028C *	COMPLETE 1-CUP PORTAFILTER	
	A-MC-1530A-0 *	1-CUP PORTAFILTER OAK	
	A-MC-1530A-WN *	1-CUP PORTAFILTER WALNUT	
1	B-MC-0409C	2 CUP FILTER H24 (<14gr)	
1a	B-MC-0041B *	2 CUP FILTER H26 (14-15gr)	
1b	B-MC-0394C *	2 CUP FILTER H28 (15-18gr)	
1c	B-MC-0432B *	2 CUP FILTER H32 (21gr-)	
1d	B-MC-0729B *	2 CUP FILTER H30 (18-21gr)	
1f	B-MC-0224 *	BLIND FILTER	
1g	B-MC-0040B *	1 CUP FILTER H25 (7-9gr)	
1h	B-MC-0271B *	1 CUP FILTER H23 (6-7gr)	
1i	B-MC-0686B *	1 CUP FILTER H27 (9-10gr)	
2	B-MC-1111	FILTER HOLDER KNOB	
3	A-PC-0007	COATED PORTAFILTER BODY D54	
4	B-MC-0078	CHROMED 2-SHOT SPOUT	
4a	B-MC-0077 *	CHROMED 1-SHOT SPOUT	
5	B-00-0415	PORTAFILTER SPRING 1.1	

ACCESSORIES



B-MC-0194

BRUSH CLEANING
SHOWERS



1-PC-083

TAMPING MAT



K-0158

FIXED FOOT ADJUSTING KIT



B-MC-0225

KEY FOR SHOWER SCREW



B-GR-0053

PROGRAMMING USB KEY



A-PC-0001

COFFEE CALIBER



B-MC-0478A

STAINLESS STEEL TAMPER
D 54,5

B-MC-0478A-0

STAINLESS STEEL TAMPER
D 54,5+OAK

B-MC-0478A-WN

STAINLESS STEEL TAMPER
D 54,5+WALNUT



A-MC-2015

KEY LOCKING HUBCAP



K-0153

MAINTENANCE KIT SPARE
PARTS



B-MC-0404

CAJA DE 120 PASTILLAS
DETERGENTE POR GRUPOS