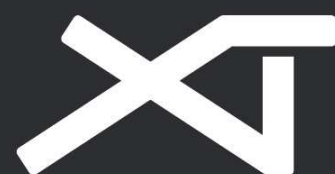
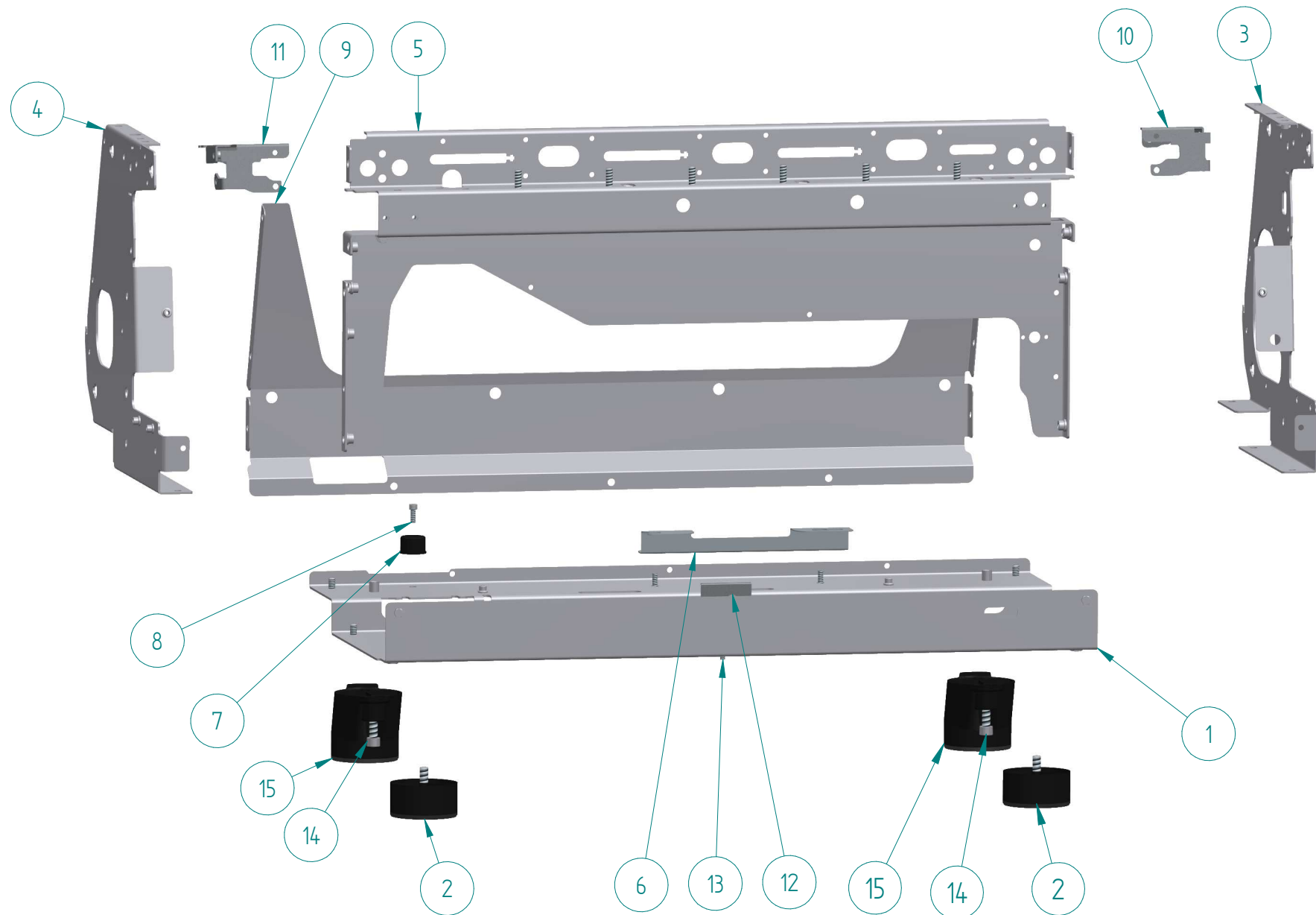


DALLA  
CORTE

# SPARE PARTS CATALOGUE







ITEM	CODE	DESCRIPTION	NOTE
	A-MC-1502	MACHINE FRAME 3GR	NOT ORDINABLE
	A-MC-1501 *	MACHINE FRAME 2GR	NOT ORDINABLE
1	B-MC-1080	BASE 3 GROUPS	NOT ORDINABLE
1a	B-MC-1079 *	BASE 2 GROUPS	NOT ORDINABLE
2	B-MC-1255	FOOT D80 H40	
2a	A-MC-1300 *	FOOT D80 H40 WHITE	
2b	A-MC-1513 *	FOOT D80 H40 DARK	
2c	A-MC-1540 *	FOOT D80 H80 DARK	
3	B-MC-1501	INNER SIDE RIGHT	NOT ORDINABLE
4	B-MC-1502	INNER SIDE LEFT	NOT ORDINABLE
5	B-MC-1504	CENTRAL CROSSPIECE 3 GROUPS	NOT ORDINABLE
5a	B-MC-1503 *	CENTRAL CROSSPIECE 2 GROUPS	NOT ORDINABLE
6	B-MC-1123	BOILER SUPPORT	
7	B-MC-0187	RUBBER ANTIVIBRATION H20 SH50	
8	B-00-0109	SCREW TCEI A2 M6x16 DIN912	
9	B-MC-1270	REAR OPEN CROSSPIECE 3GR	
9a	B-MC-1328 *	REAR OPEN CROSSPIECE 2GR	
10	B-MC-1505	RIGHT TAP SUPPORT	
11	B-MC-1506	LEFT TAP SUPPORT	
12	B-MC-0670	DRAIN BOX BRACKET	
13	B-00-0107	SCREW TE 8.8 M6x10 DIN933	
14	B-00-0358	SCREW A2 M10x40 DIN912	
15	A-MC-1510D	REAR FOOT DARK	
15a	A-MC-1510W *	REAR FOOT WHITE	

**DALLA CORTE**  
SPARE PARTS CATALOGUE  
DC PRO XT

DESCRIPTION  
FRAME

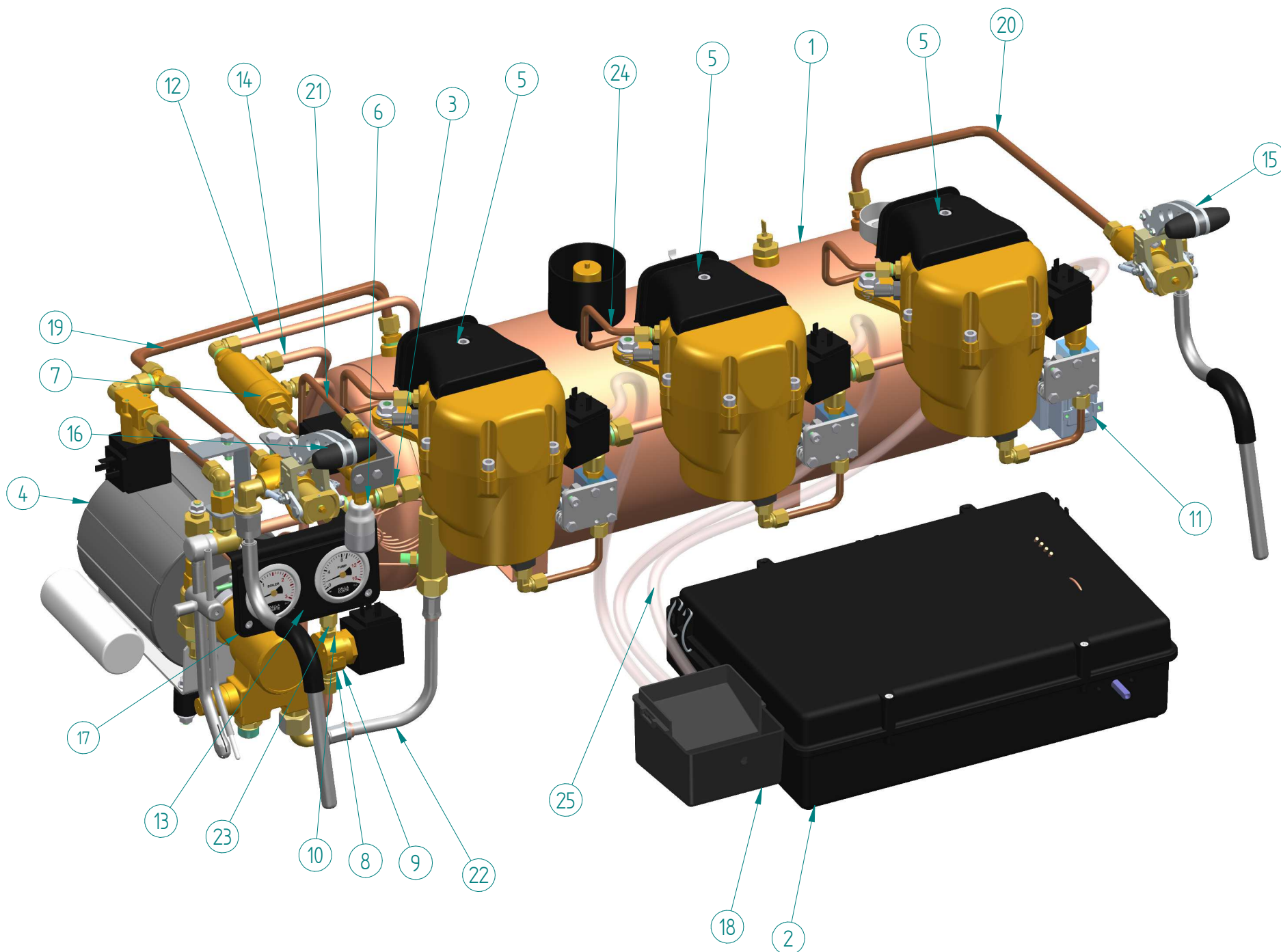
ASSEMBLY CODE  
A-MC-1501 / A-MC-1502

REV  
14

EMISSION DATE  
MAY 2020

NOTE:  
\* ALTERNATIVE TO THE REPRESENTED COMPONENT  
\*\* NOT SHOWN COMPONENT

SHEET  
3



ITEM	CODE	DESCRIPTION	NOTE
1	A-MC-1007	COMPLETE BOILER 13L	See sheet 08
1a	A-MC-1006 *	COMPLETE BOILER 7L	See sheet 08
2	A-MC-1515	ELECTRICAL SYSTEM 3GR	See sheet 19
2a	A-MC-1514 *	ELECTRICAL SYSTEM 2GR	See sheet 19
3	A-MC-1523	COMPLETE MANIFOLD 3GR	See sheet 10
3a	A-MC-1522 *	COMPLETE MANIFOLD 2GR	See sheet 10
4	A-MC-0024TF	MOTOR CLAMP-RING PUMP 165W + PIPE FLEX	See sheet 06
5	A-MC-1541	ASSEMBLED GROUPHEAD XT	See sheet 17
6	A-MC-1526	HOT WATER GROUP	See sheet 07
7	A-MC-1532	COMPLETE EXCHANGER	See sheet 12
8	B-00-0101A	STRAIGHT COUPLING 1/8" D8	
9	B-00-0026	SOLENOID VALVE 2-WAY+RF 24V D2V	
10	B-00-0012A	STRAIGHT CONNECTION 1/8" D6	
11	B-00-0023	SAFETY THERMOSTAT 3F 25A	
12	B-MC-1108	SUCTION - EXCHANGE PIPE	
13	B-MC-1118	EVC - EXCHANGER PIPE	
14	B-MC-1120	EXCHANGER - BOILER PIPE	
15	A-MC-1547A	LEVER STEAM TAP ASSEMBLY RIGHT	See sheet 15
16	A-MC-1546A	LEVER STEAM TAP ASSEMBLY LEFT	See sheet 15
17	A-MC-0511D	PRESSURE GAUGE ASSEMBLY DARK	See sheet 13
17a	A-MC-0511W *	PRESSURE GAUGE ASSEMBLY WHITE	See sheet 13
18	B-MC-0017	DRAIN BOX	
19	B-MC-1526	STEAM PIPE LEFT	
20	B-MC-1525	STEAM PIPE RIGHT	
21	B-MC-1524	PIPE OF EXCHANGER AND EVS	
22	B-00-0360	FLEX PIPE 3/8" L22,5	
23	B-MC-1569	MANIFOLD - EVC PIPE	
24	B-MC-1527	GROUP FEED PIPE	
25	B-00-0325	TRANSPARENT SILICONE PIPE 6x10	

**DALLA CORTE**  
SPARE PARTS CATALOGUE  
DC PRO XT

DESCRIPTION	HYDRAULIC SYSTEM
ASSEMBLY CODE	

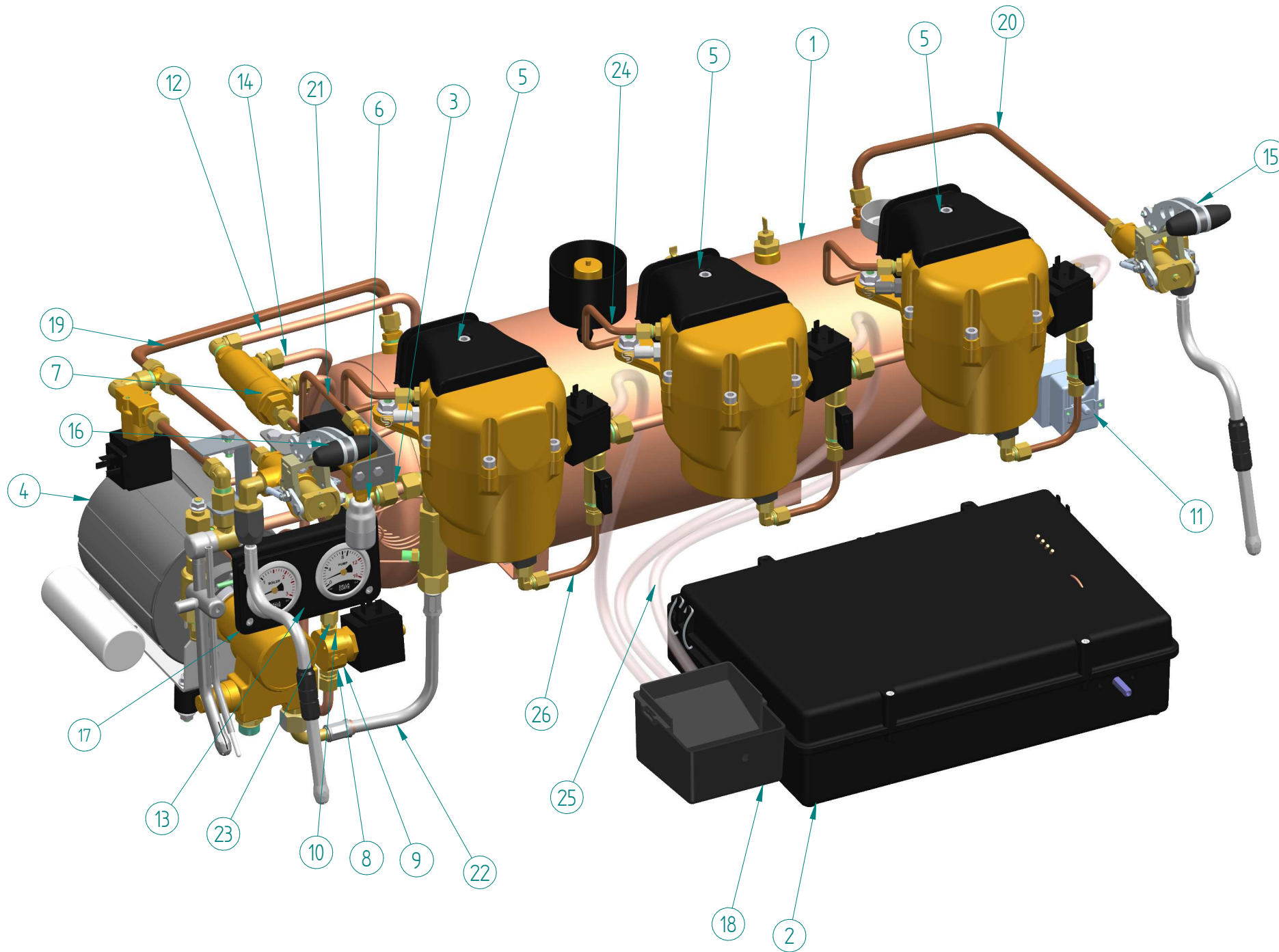
REV	14
EMISSION DATE	MAY 2020

NOTE:  
\* ALTERNATIVE TO THE REPRESENTED COMPONENT  
\*\* NOT SHOWN COMPONENT

SHEET  
4



# VERSION XT 6T



ITEM	CODE	DESCRIPTION	NOTE
1	A-MC-1007	COMPLETE BOILER 13L	See sheet 08
1a	A-MC-1006 *	COMPLETE BOILER 7L	See sheet 08
2	A-MC-1515	ELECTRICAL SYSTEM 3GR	See sheet 19
2a	A-MC-1514 *	ELECTRICAL SYSTEM 2GR	See sheet 19
3	A-MC-1023	COMPLETE MANIFOLD 3GR	See sheet 10
3a	A-MC-1022 *	COMPLETE MANIFOLD 2GR	See sheet 10
4	A-MC-0024TF	MOTOR CLAMP-RING PUMP 165W + PIPE FLEX	See sheet 06
5	A-MC-1541	ASSEMBLED GROUPHEAD XT	See sheet 17
6	A-MC-1526	HOT WATER GROUP	See sheet 07
7	A-MC-1532	COMPLETE EXCHANGER	See sheet 12
8	B-00-0101A	STRAIGHT COUPLING 1/8" D8	
9	B-00-0026	SOLENOID VALVE 2-WAY+RF 24V D2V	
10	B-00-0012A	STRAIGHT CONNECTION 1/8" D6	
11	B-00-0023	SAFETY THERMOSTAT 3F 25A	
12	B-MC-1108	SUCTION - EXCHANGE PIPE	
13	B-MC-1118	EVC - EXCHANGER PIPE	
14	B-MC-1120	EXCHANGER - BOILER PIPE	
15	A-MC-1509A	LEVER STEAM TAP ASSEMBLY RIGHT	See sheet 15
16	A-MC-1508A	LEVER STEAM TAP ASSEMBLY LEFT	See sheet 15
17	A-MC-0511D	PRESSURE GAUGE ASSEMBLY DARK	See sheet 13
17a	A-MC-0511W *	PRESSURE GAUGE ASSEMBLY WHITE	See sheet 13
18	B-MC-0017	DRAIN BOX	
19	B-MC-1526	STEAM PIPE LEFT	
20	B-MC-1525	STEAM PIPE RIGHT	
21	B-MC-1524	PIPE OF EXCHANGER AND EVS	
22	B-00-0360	FLEX PIPE 3/8" L22,5	
23	B-MC-1569	MANIFOLD - EVC PIPE	
24*	B-MC-1527	GROUP FEED PIPE	
25	B-00-0325	TRANSPARENT SILICONE PIPE 6x10	
26	B-MC-1618	MANIF.-FLOW M.PIPE XT 6T	
27*	B-MC-0055	GIGLEUR 0,6	TO BE ORDERED SEPARATELY

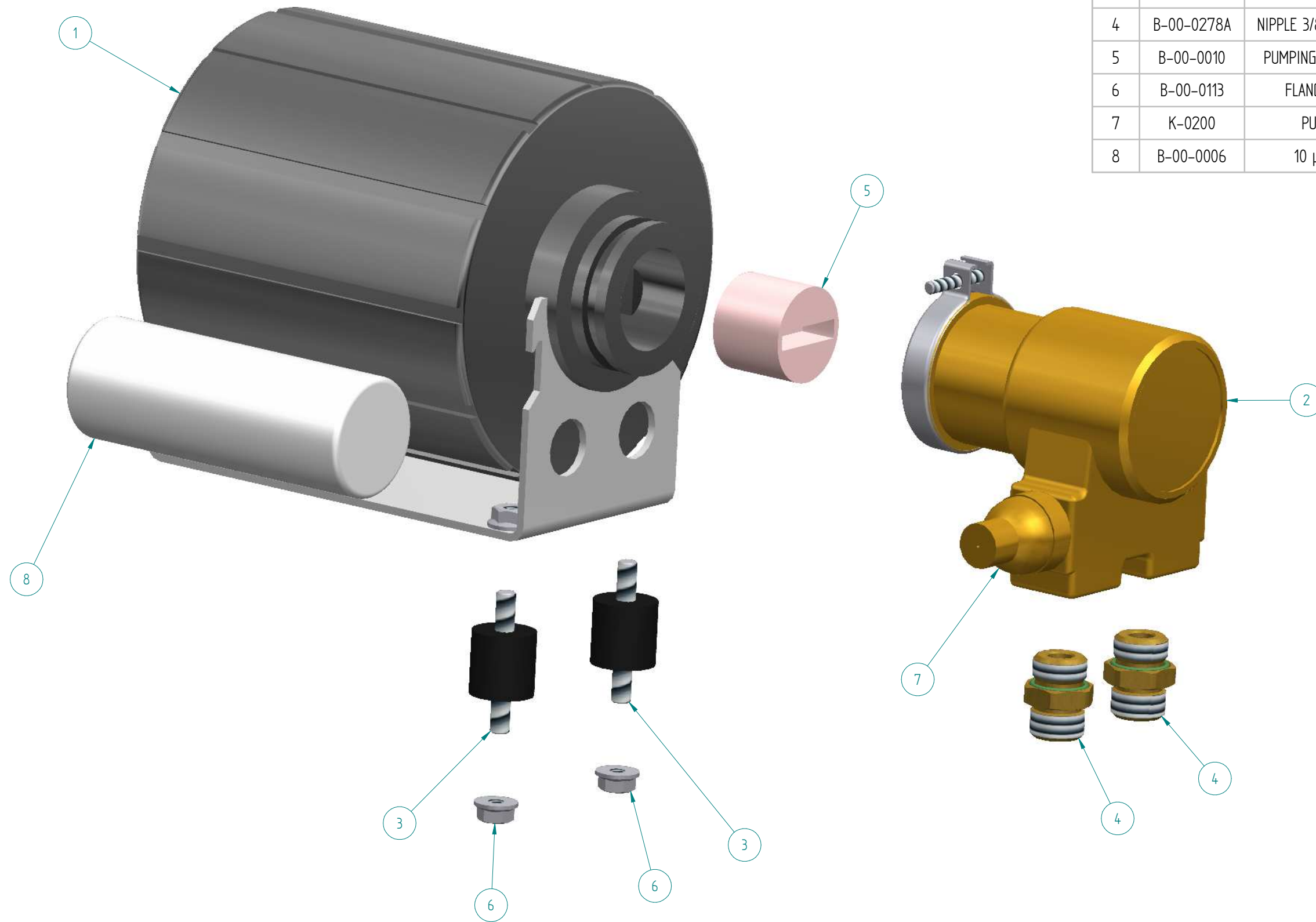
**DALLA CORTE**  
SPARE PARTS CATALOGUE  
DC PRO XT

DESCRIPTION HYDRAULIC SYSTEM	REV 14
ASSEMBLY CODE	EMISSION DATE MAY 2020

NOTE:  
\* ALTERNATIVE TO THE REPRESENTED COMPONENT  
\*\* NOT SHOWN COMPONENT

SHEET  
5

ITEM	CODE	DESCRIPTION	NOTE
1	B-00-0208	MOTOR 165 W 230 V50/60HZ CL. F	
2	B-00-0009	PUMPING UNIT 100L	
3	B-00-0011	ANTIVIBRATION 20X20 M6X10 40SH	
4	B-00-0278A	NIPPLE 3/8" FOR PUMPING ELEMENT	
5	B-00-0010	PUMPING UNIT COUPLING - NYLON	
6	B-00-0113	FLANGED NUT M6 DIN6923	
7	K-0200	PUMPING BYPASS KIT	
8	B-00-0006	10 μF 450V CONDENSER	



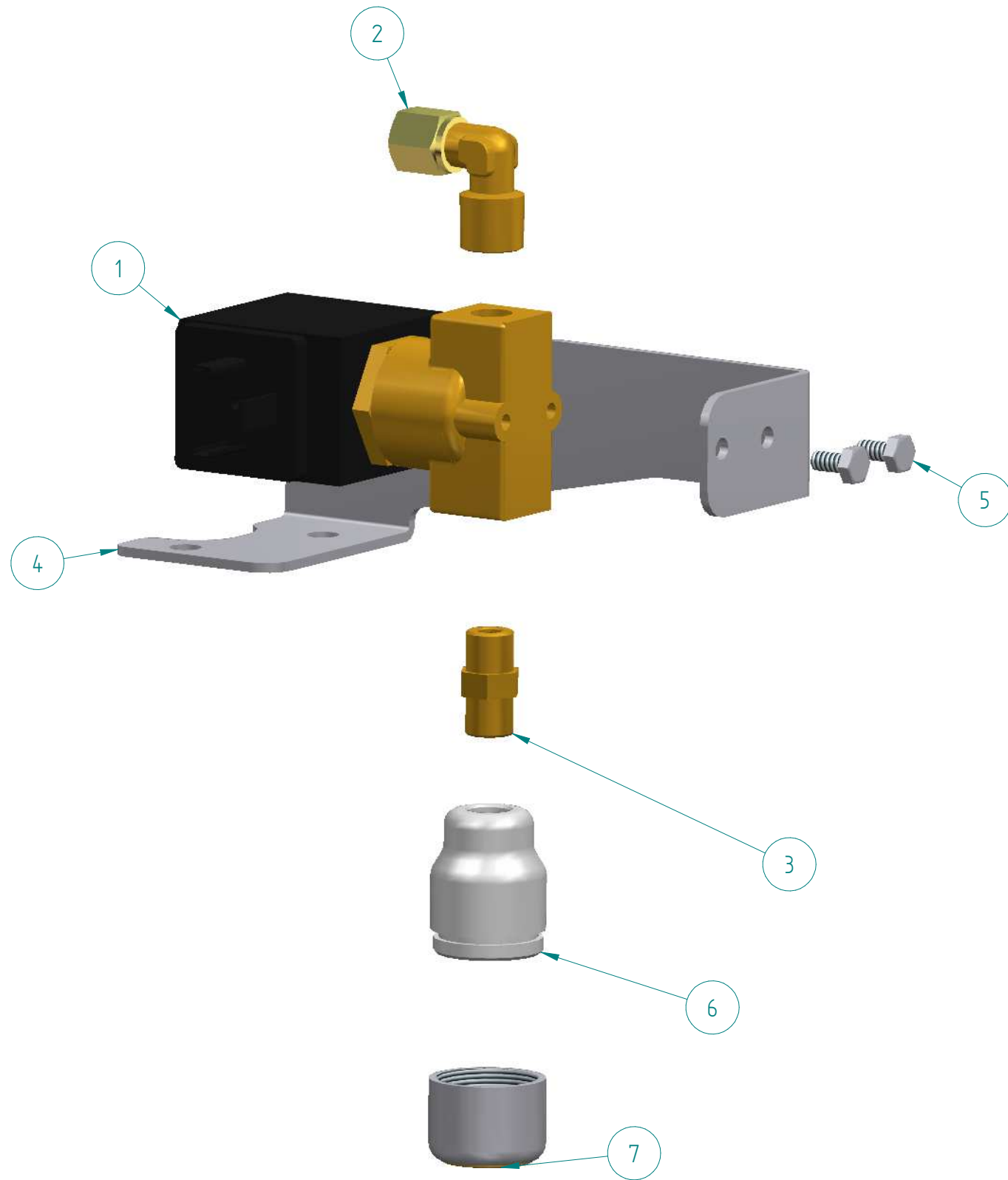
**DALLA CORTE**  
SPARE PARTS CATALOGUE  
DC PRO XT

DESCRIPTION  
MOTOR CLAMP-RING PUMP 165W + PIPE FLEX  
ASSEMBLY CODE  
A-MC-0024TF

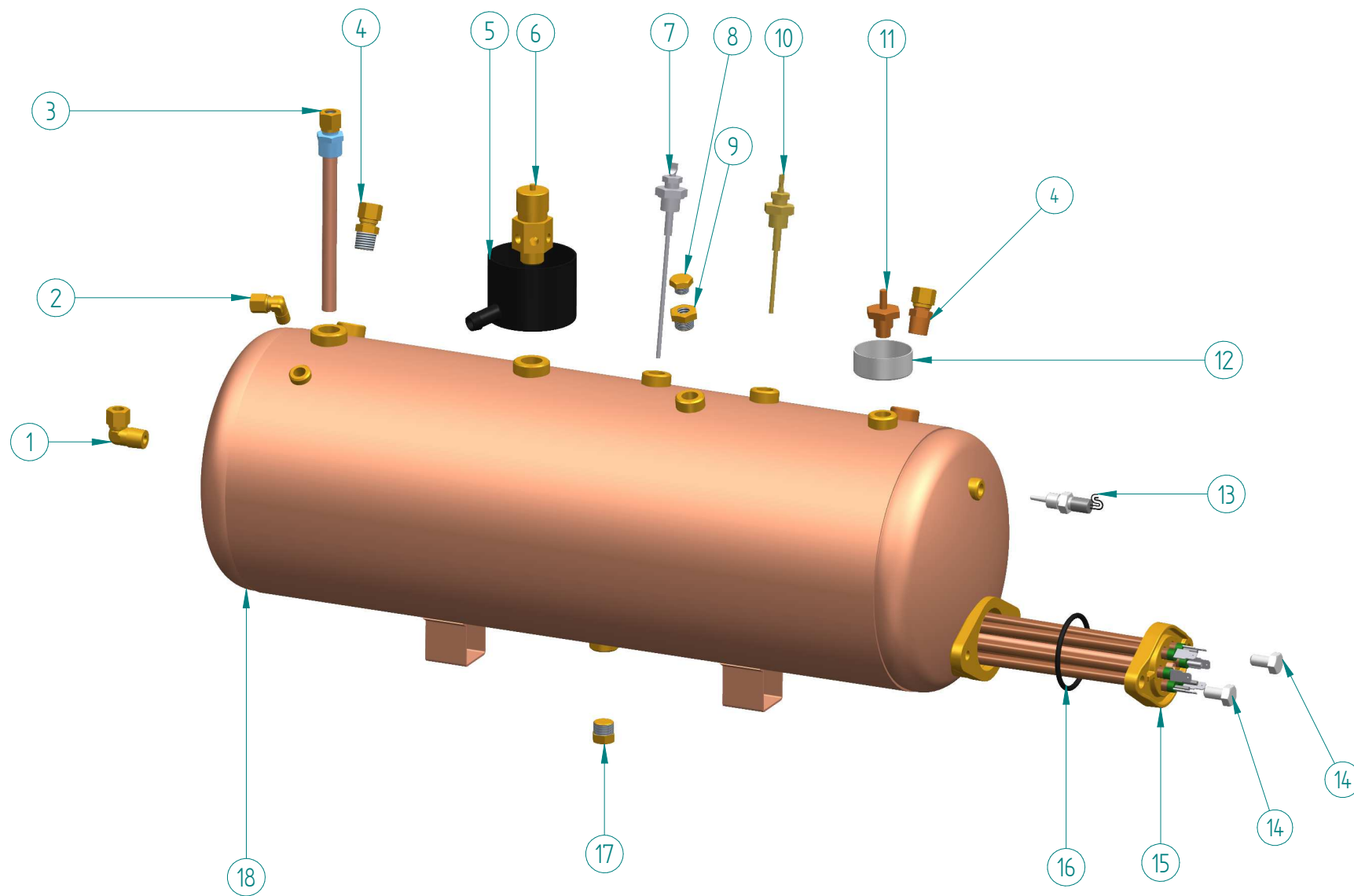
REV  
14  
EMISSION DATE  
MAY 2020

NOTE:  
\* ALTERNATIVE TO THE REPRESENTED COMPONENT  
\*\* NOT SHOWN COMPONENT

SHEET  
6



ITEM	CODE	DESCRIPTION	NOTE
	A-MC-1526	HOT WATER GROUP	
1	B-00-0313	SOLENOID VALVE 2-WAY 24V D3V	
2	B-00-0014A	FITTING "L" 1/4" D6	
3	B-00-0179A	CONICAL NIPPLE 1/8" MM	
4	B-MC-1508	SOLENOID VALVE SUPPORT	
5	B-00-0102	SCREW TE 8.8 M4x8 DIN933	
6	B-MC-0052	TEA TERMINAL COUPLING	
7	B-MC-0076	COMPLETE WATER DRAIN TERMINAL	



ITEM	CODE	DESCRIPTION	NOTE
	A-MC-1007	COMPLETE BOILER 13L	
	A-MC-1006 *	COMPLETE BOILER 7L	
1	B-00-0177A	L-COUPLING 1/4" D8	
2	B-00-0130A	L-COUPLING 237 D6 1/8"	
3	B-MC-0070	COMPLETE SUCTION PIPE	
4	B-00-0015A	STRAIGHT COUPLING 1/4" D8	
5	B-MC-0208	SAFETY VALVE D 17 DRAIN BOX	
6	B-MC-0048	SAFETY VALVE 3/8" 1.5 BAR	
7	B-MC-0049A	LEVEL PROBE L135	
8	B-00-0246A	PLUG 1/8" M	
9	B-00-0171A	REDUCTION MF 1/4" - 1/8"	
10	B-MC-0158A	LEVEL PROBE L95	
11	B-MC-0047	VACUUM VALVE 1/4"	
12	B-MC-0209	DRAIN BOX VACUUM VALVE	
13	B-MC-1132	TEMPERATURE PROBE PT1000 1/8"	
14	B-00-0112	SCREW TE A2 M8X20 DIN933	
15	B-MC-0144	BOILER RESISTANCE 3500W-230V	
15a	B-MC-0029 *	BOILER RESISTANCE 2400W-230V	
15b	B-MC-0229 *	BOILER RESISTANCE 4500W-230V	
16	B-00-0039	OR 150 46,04x3,53	
17	B-00-0181A	PLUG 1/4" M	
18	B-MC-0156	BOILER 13L	
18a	B-MC-0032 *	BOILER 7L	

**DALLA CORTE**  
CATALOGO RICAMBI  
DC PRO XT

DESCRIZIONE  
COMPLETE BOILER

CODICE ASSIEME

REV  
00

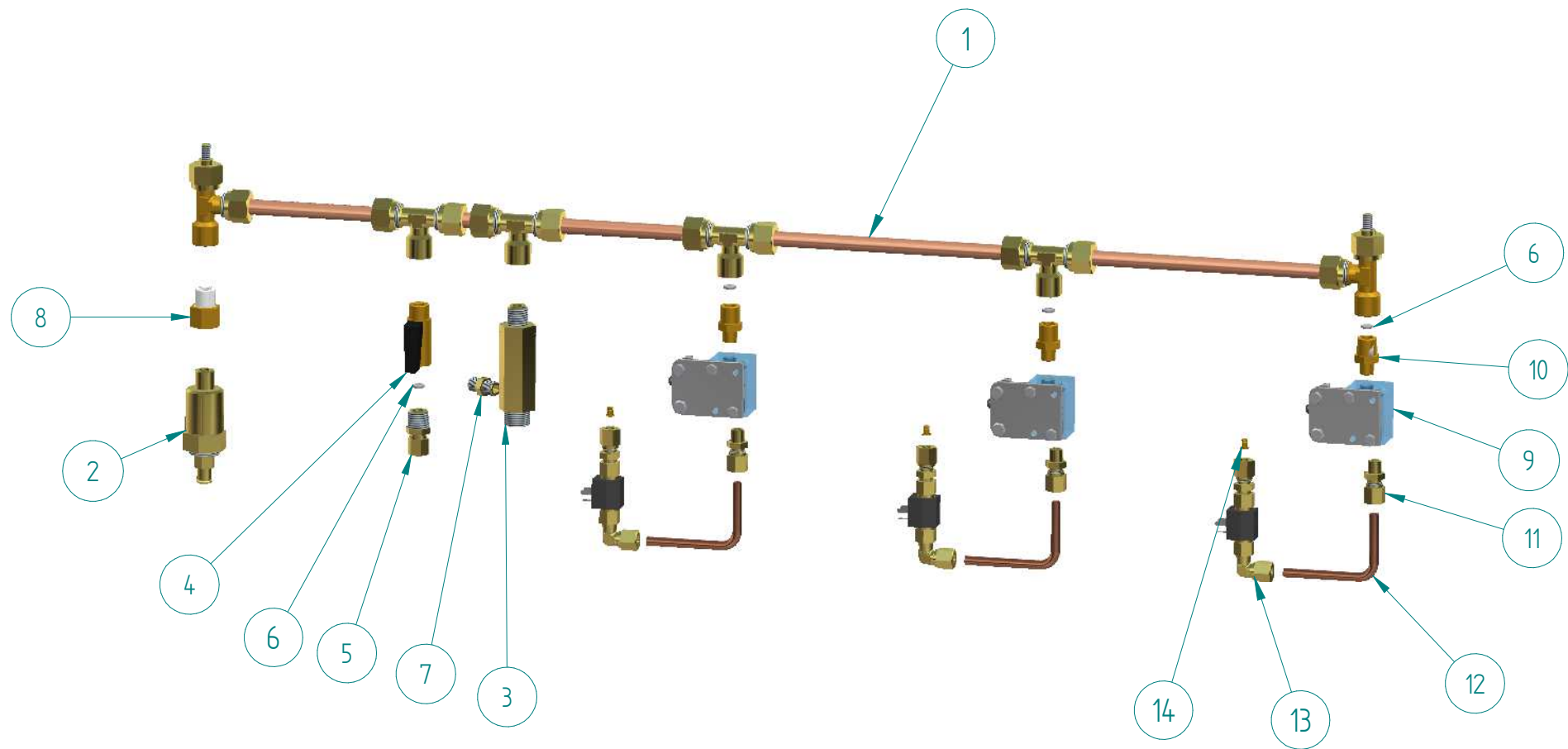
DATA DI EMISSIONE  
07/2018

NOTE:

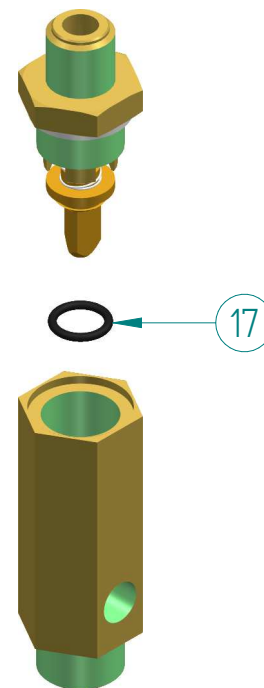
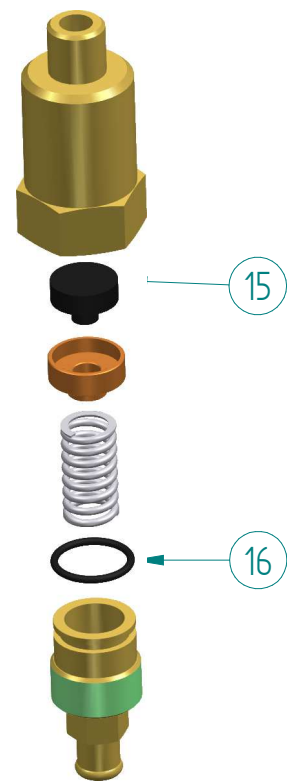
\* ALTERNATIVA AL COMPONENTE RAPPRESENTATO  
\*\* COMPONENTE NON RAPPRESENTATO

FOGLIO  
8





ITEM	CODE	DESCRIPTION	NOTE
	A-MC-1523	COMPLETE MANIFOLD 3GR	
	A-MC-1522 *	COMPLETE MANIFOLD 2GR	
1	B-MC-1093	MANIFOLD 3 GROUPS	
1a	B-MC-1092 *	MANIFOLD 2 GROUPS	
2	B-MC-0120A	COMPLETE EXPANSION VALVE 1/4"	
3	B-MC-1146	COMPLETE CHECK VALVE 3/8" - 1/4"	
4	B-00-0022A	BALL TAP 1/4"	
5	B-00-0013A	STRAIGHT COUPLING 1/4" D6	
6	B-MC-0056	INOX FILTER D8 x 2	
7	B-00-0179A	CONICAL NIPPLE 1/8" MM	
8	B-00-0142A	EXTENSION MF 1/4" 444	
9	A-MC-1518	MANUAL FLOW REGULATOR	
10	B-00-0018A	REDUCTION 1/4" X 1/8"	
11	B-00-0012A	STRAIGHT CONNECTION 1/8" D6	
12	B-MC-1591	TUBE FROM MFR TO FM	
13	A-MC-1521	COMPLETE FLOWMETER	See sheet 09
14	B-MC-2094	GIGLEUR 0,7mm	TO BE ORDERED SEPARATELY
15	B-MC-0123	SHUTTER OR	
16	B-00-0038	REGULATION OR	
17	B-00-0037	OR 107 VITON VR	



**DALLA CORTE**  
SPARE PARTS CATALOGUE  
DC PRO XT

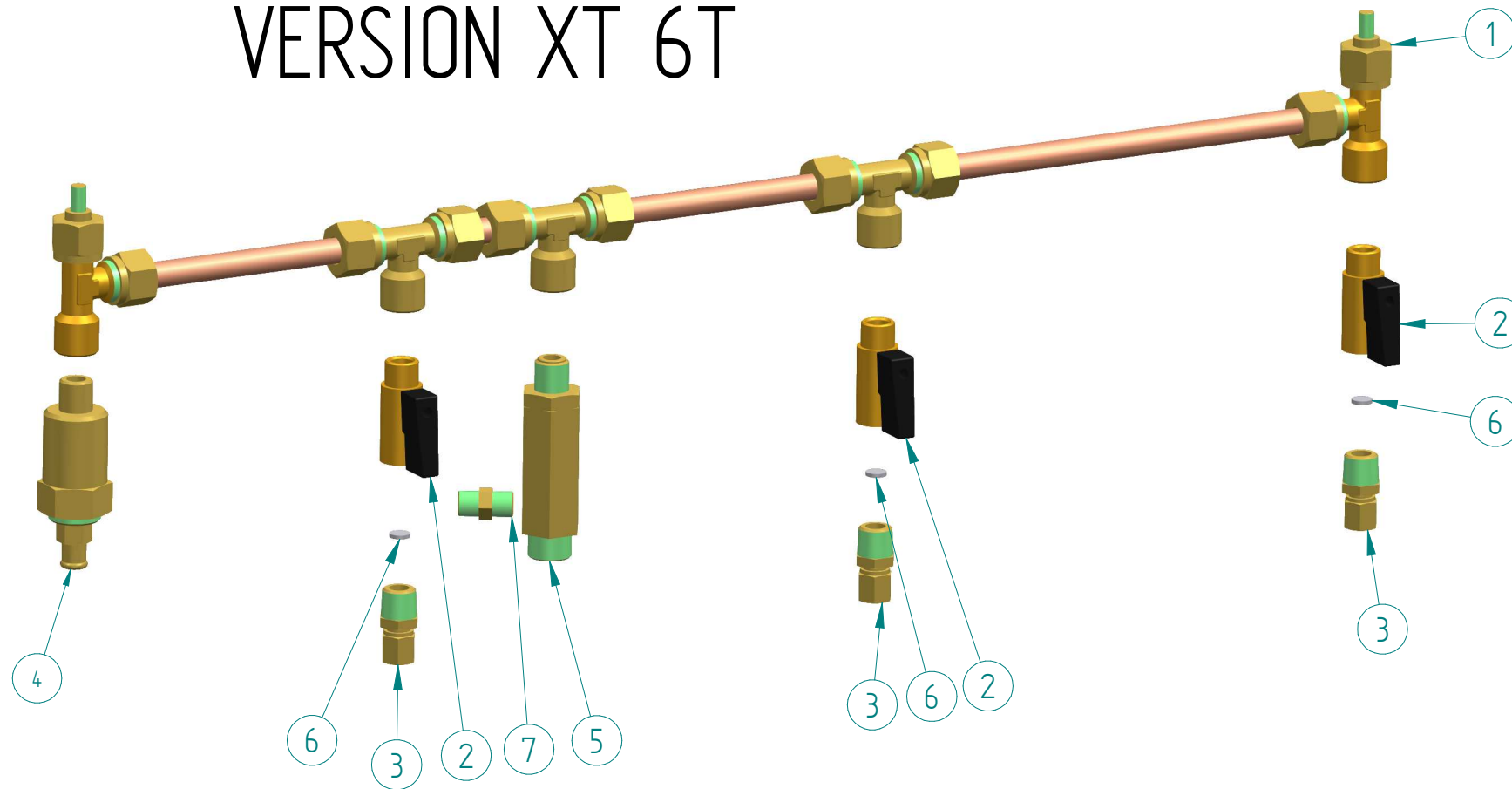
DESCRIPTION  
COMPLETE MANIFOLD  
ASSEMBLY CODE

REV  
14  
EMISSION DATE  
MAY 2020

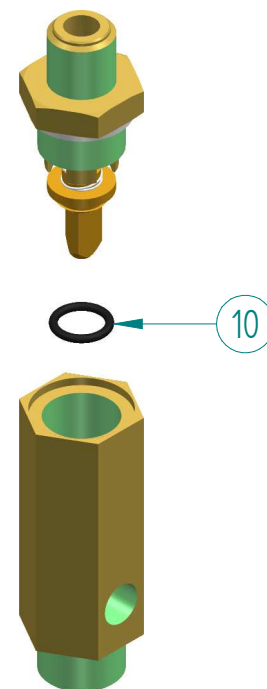
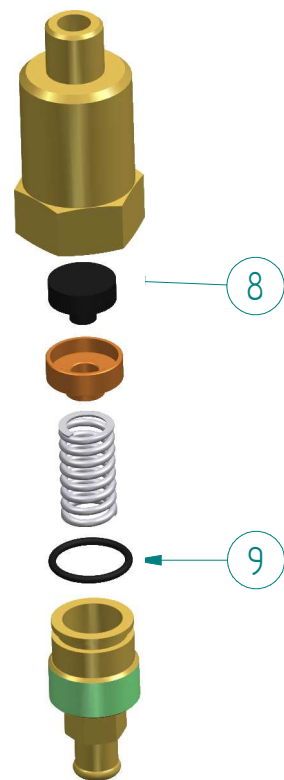
NOTE:  
\* ALTERNATIVE TO THE REPRESENTED COMPONENT  
\*\* NOT SHOWN COMPONENT

SHEET  
9

# VERSION XT 6T



ITEM	CODE	DESCRIPTION	NOTE
	A-MC-1023 *	COMPLETE MANIFOLD 3GR	
	A-MC-1022 *	COMPLETE MANIFOLD 2GR	
1	B-MC-1092	COLLECTOR 2GR	
1a	B-MC-1093 *	COLLECTOR 3GR	
2	B-00-0022A	BALL TAP 1/4"	
3	B-00-0013A	STRAIGHT COUPLING 1/4" D6	
4	B-MC-0120A	COMPLETE EXPANSION VALVE 1/4"	
5	B-MC-1146	COMPLETE CHECK VALVE 3/8" - 1/4"	
6	B-MC-0056	INOX FILTER D8 x 2	
7	B-00-0179A	CONICAL NIPPLE 1/8" MM	
8	B-MC-0123	SHUTTER OR	
9	B-00-0038	REGULATION OR	
10	B-00-0037	OR 107 VITON VR	



**DALLA CORTE**  
SPARE PARTS CATALOGUE  
DC PRO XT

DESCRIPTION  
COMPLETE MANIFOLD

ASSEMBLY CODE

REV  
14

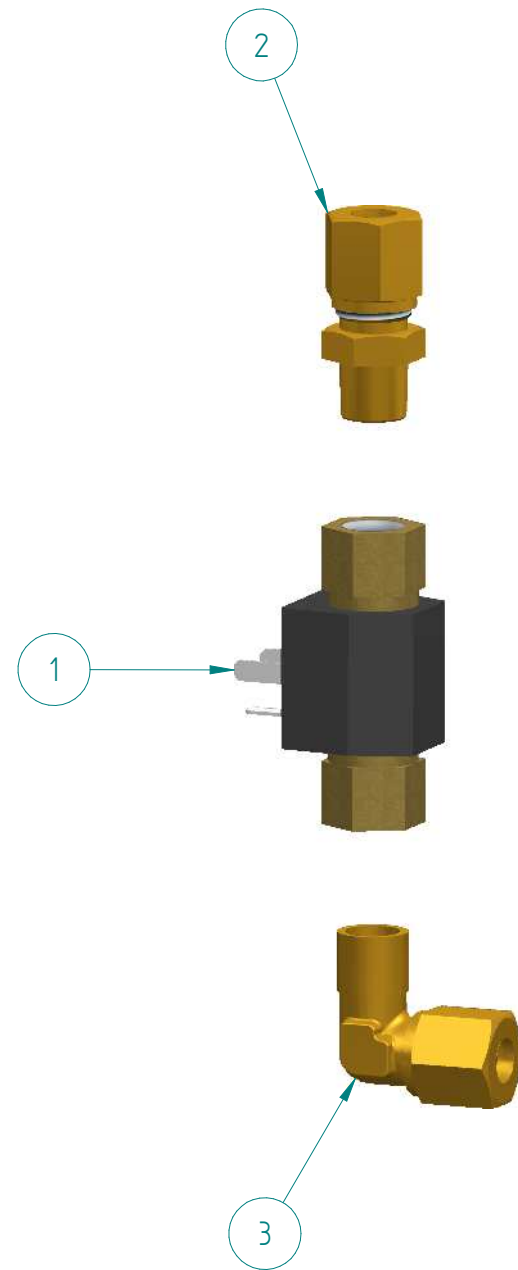
EMISSION DATE  
MAY 2020

NOTE:

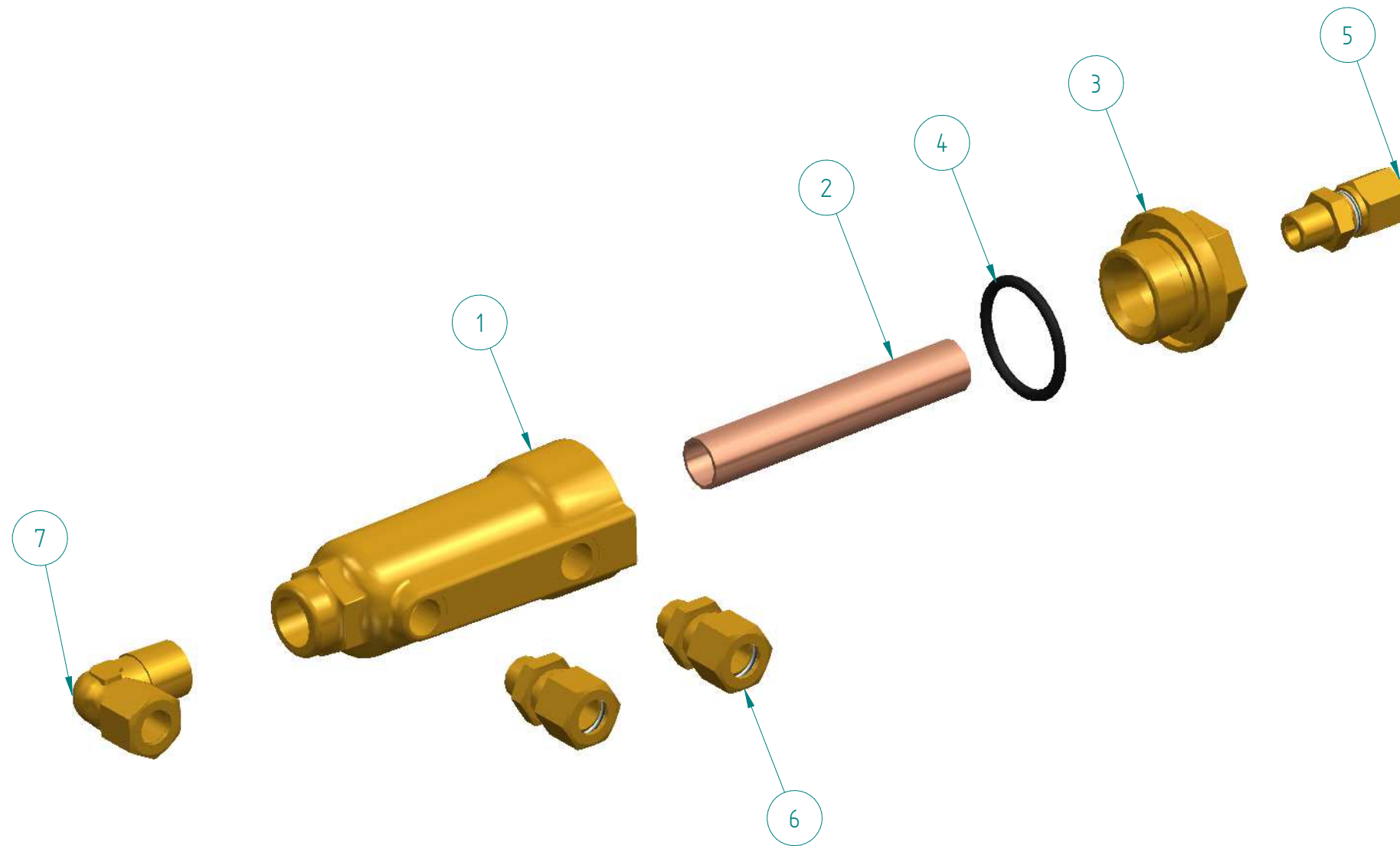
\* ALTERNATIVE TO THE REPRESENTED COMPONENT  
\*\* NOT SHOWN COMPONENT

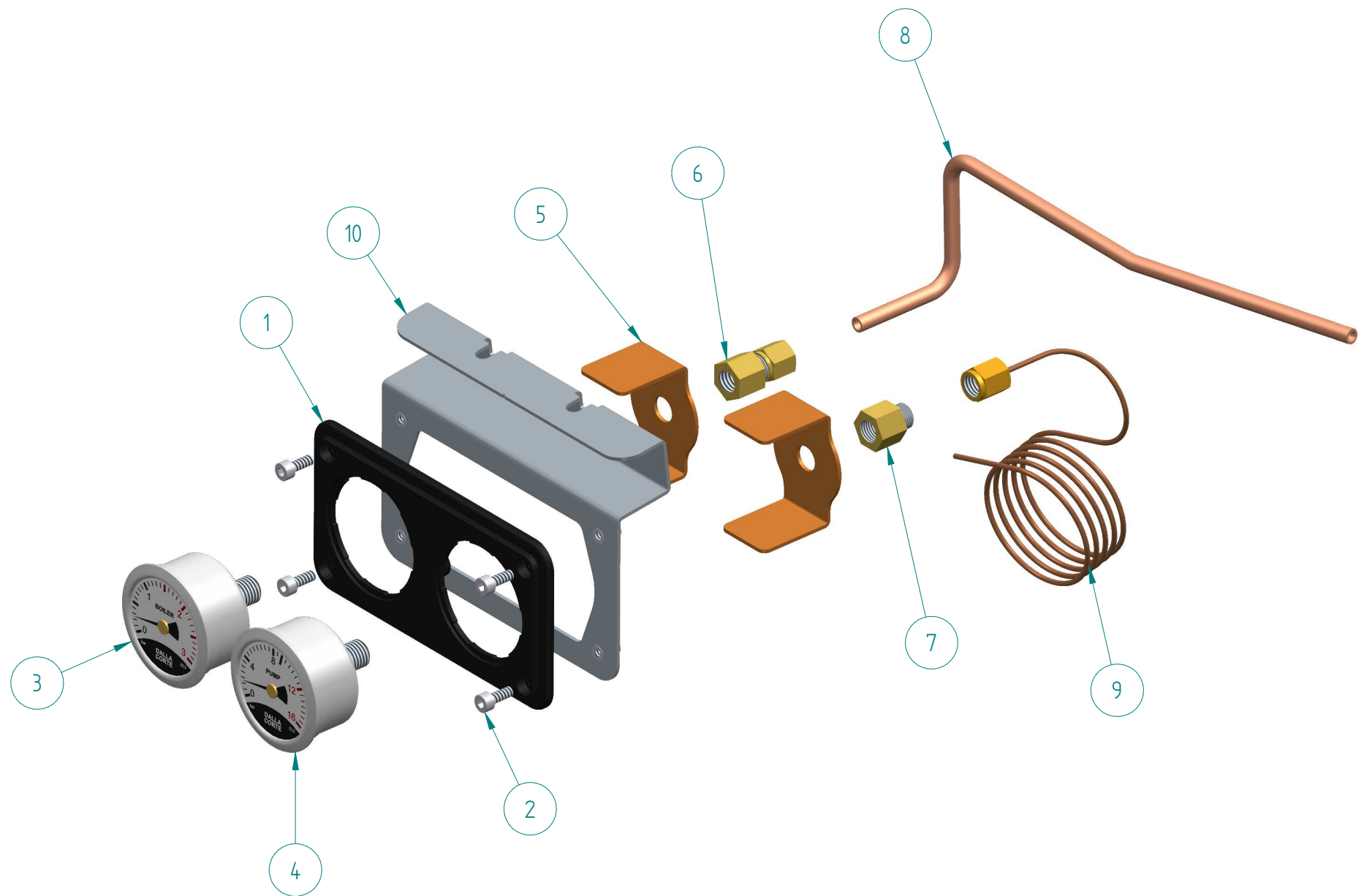
SHEET  
10

ITEM	CODE	DESCRIPTION	NOTE
	A-MC-1521	COMPLETE FLOWMETER	
1	B-00-0291	FLOWMETER D1.0	
2	B-00-0012A	STRAIGHT COUPLING 1/8" D6	
3	B-00-0130A	L-COUPLING 237 D6 1/8"	



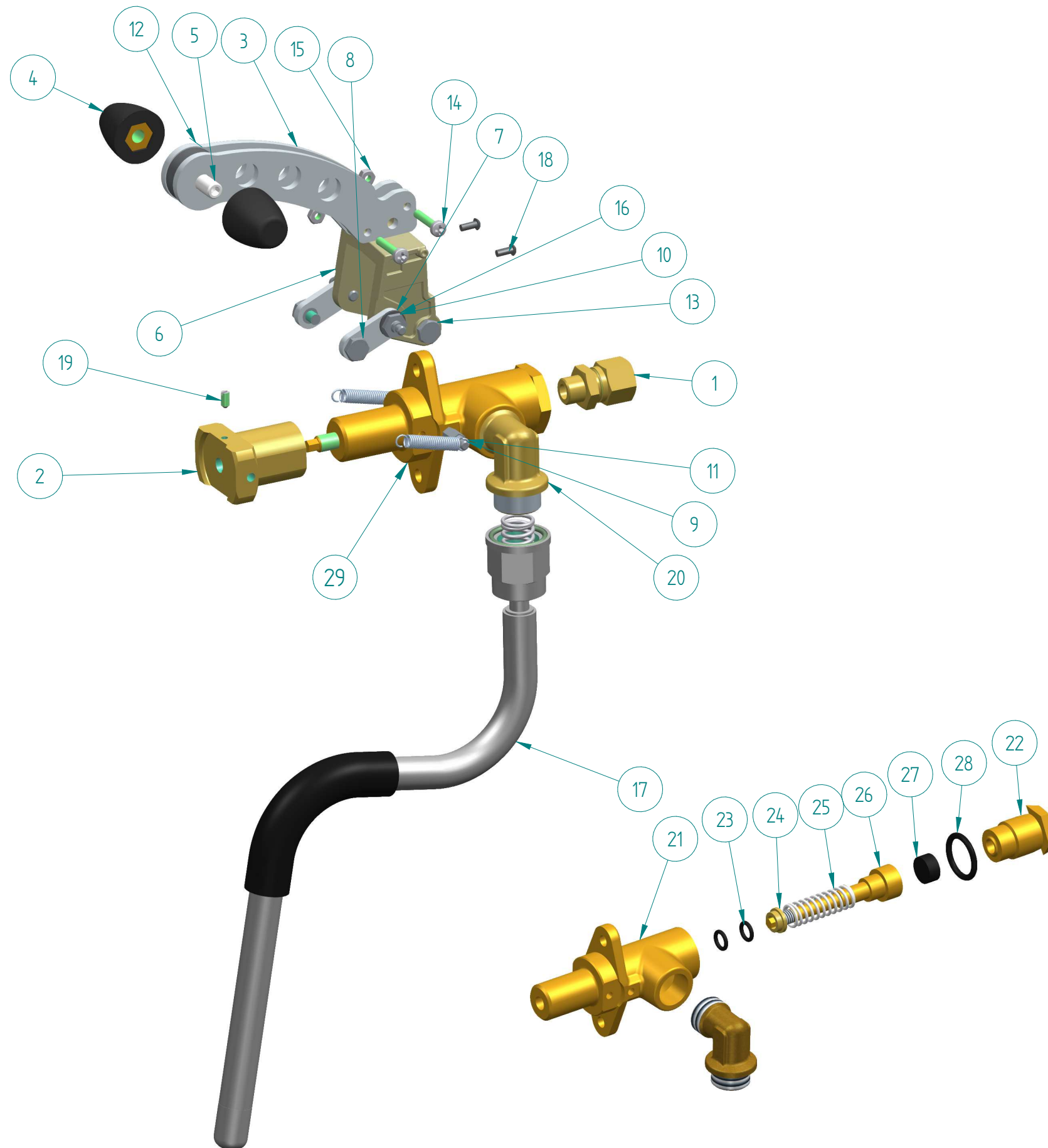
ITEM	CODE	DESCRIPTION	NOTE
	A-MC-1532	COMPLETE EXCHANGER	
1	B-MC-0079	EXCHANGER BODY	
2	B-MC-0081	EXCHANGER INTERNAL PIPE	
3	B-MC-0080	EXCHANGER PLUG	
4	B-00-0047	OR 3093/BS 119 FPM-FDA/70.vd	
5	B-00-0012A	STRAIGHT COUPLING 1/8" D6	
6	B-00-0101A	STRAIGHT COUPLING 1/8" D8	
7	B-00-0177A	L-COUPLING 1/4" D8	





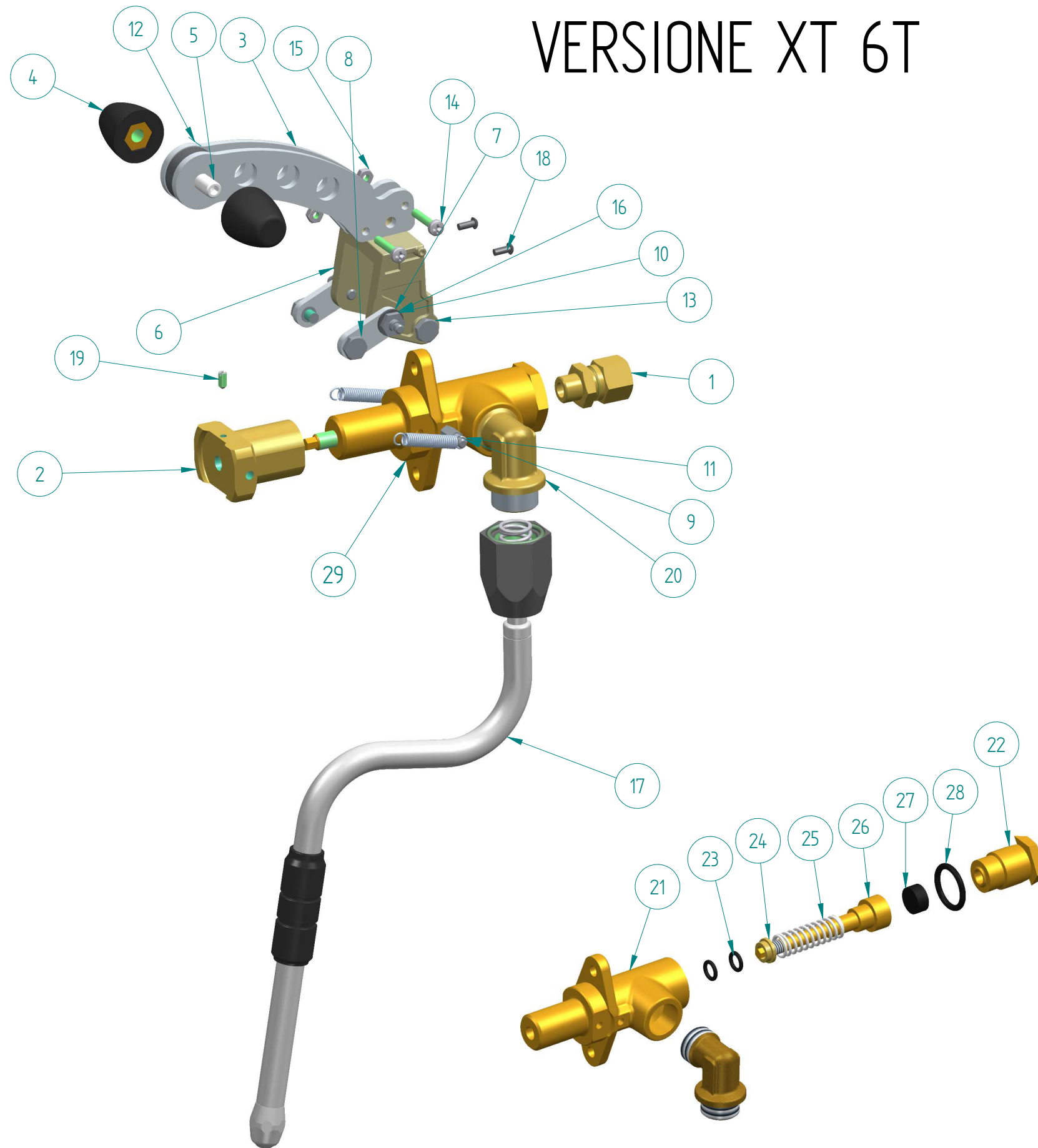
ITEM	CODE	DESCRIPTION	NOTE
	A-MC-0511D	PRESSURE GAUGE ASSEMBLY DARK	
	A-MC-0511W	PRESSURE GAUGE ASSEMBLY WHITE	
1	B-MC-1074-AS	PRESSURE GAUGE SUPPORT BRUSHED ALLUM	ADD n.1 B-MC-1634
1a	B-MC-1074-D	PRESSURE GAUGE SUPPORT DARK	ADD n.1 B-MC-1634
1b	B-MC-1074-W	PRESSURE GAUGE SUPPORT WHITE	ADD n.1 B-MC-1634
2	B-00-0110	SCREW TCEI A2 M4x10 DIN912	
3	B-MC-1579	BOILER MANOMETER MY18	
4	B-MC-1580	PUMP MANOMETER MY18	
5	B-MC-1105	PRESSURE GAUGE U-CLAMP	
6	B-00-0134A	STRAIGHT COUPLING 1/8" D6	
7	B-00-0187A	EXTENSION 1/8" MF	
8	B-MC-1098	BOILER - PRESSURE GAUGE PIPE	
9	B-MC-0071	WATER PRESSURE GAUGE PIPE	
10	B-MC-1634	XT PRESS.GAUGE BRACKET	



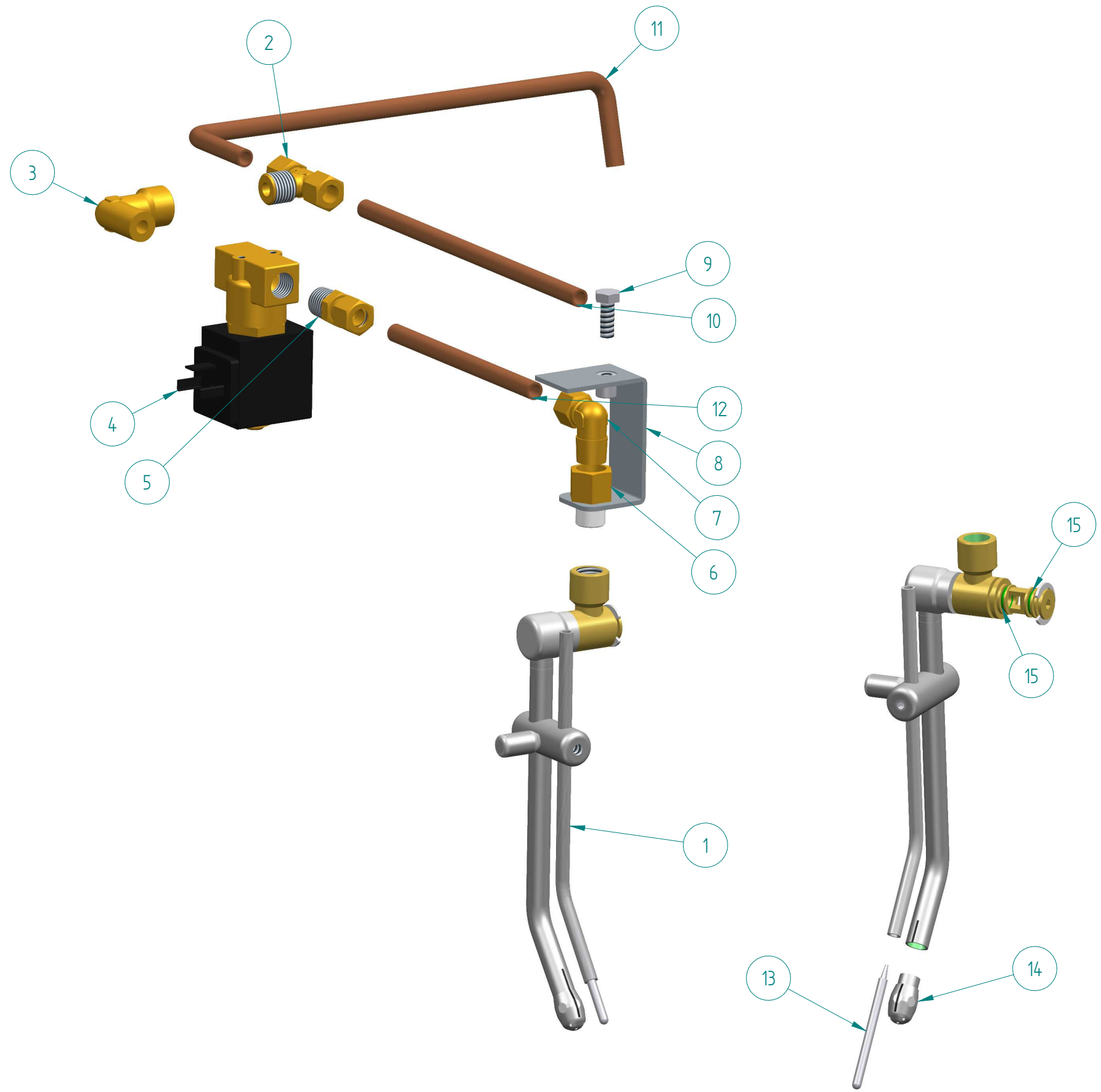


ITEM	CODE	DESCRIPTION	NOTE
	A-MC-1547A	LEVER STEAM TAP ASSEMBLY RIGHT	
	A-MC-1546A *	LEVER STEAM TAP ASSEMBLY LEFT	
1	B-00-0101A	STRAIGHT COUPLING 1/8" D8	
2	B-MC-1632	STEAM TAP SHAFT BUSHING	
3	B-MC-1545A	STEAM TAP LEVER ARM	
4	B-MC-1546	STEAM TAP LEVER KNOB	TO ORDER SEPARATELY
4a	B-MC-1546-0 *	STEAM TAP LEVER KNOB OAK	TO ORDER SEPARATELY
4b	B-MC-1546-WN *	STEAM TAP LEVER KNOB WALNUT	TO ORDER SEPARATELY
5	B-00-0359	GRUB SCREW M6x16 DIN916	
6	B-MC-1528	STEAM TAP LEVER	
7	B-MC-1530	STEAM TAP BOOMERANG SHACKLE	
8	B-MC-1544	SHOULDER SCREW BOLT	
9	B-MC-1533	FIXED SPRING PIN	
10	B-MC-1542	MOVING SPRING PIN	
11	B-00-0361	STEAM LEVER MOVING SPRING	
12	B-MC-1531	LEVER SPACER	
13	B-MC-1532	LEVER FULCRUM PIN BOLT	
14	B-00-0192	SCREW TC+ A2 M3x16 DIN7985	
15	B-00-0135	NUT M3 UNI5588	
16	B-00-0369	WASHER M5 DIN125	
17	A-MC-1511A	COMPLETE STEAM PIPE UCT	
18	B-00-0378	SPHERICAL HEAD PIN A2 2,5x6	
19	B-00-0334	GRUB SCREW A2 M4 x 6 DIN 914	
20	B-MC-0533	STEAM TAP 90° FITTING	
21*	B-MC-1522	LEVER TAP BODY	NOT ORDINABLE
22*	B-MC-0532A	STEAM TAP COUNTER-BODY	NOT ORDINABLE
23*	B-00-0032	OR 5.7 x 1.9 VITON	
24*	B-MC-0110	SEAL RING	NON ORDINABLE
25*	B-MC-0111	STEAM TAP SPRING	NOT ORDINABLE
26*	B-MC-1631	STEAM TAP SHAFT	NOT ORDINABLE
27*	B-MC-0112	STEAM TAP SHUTTER GASKET	
28*	B-00-0033	OR 121	
29	A-MC-1549	STEAM TAP BODY RIGHT	
29a	A-MC-1548	STEAM TAP BODY LEFT	

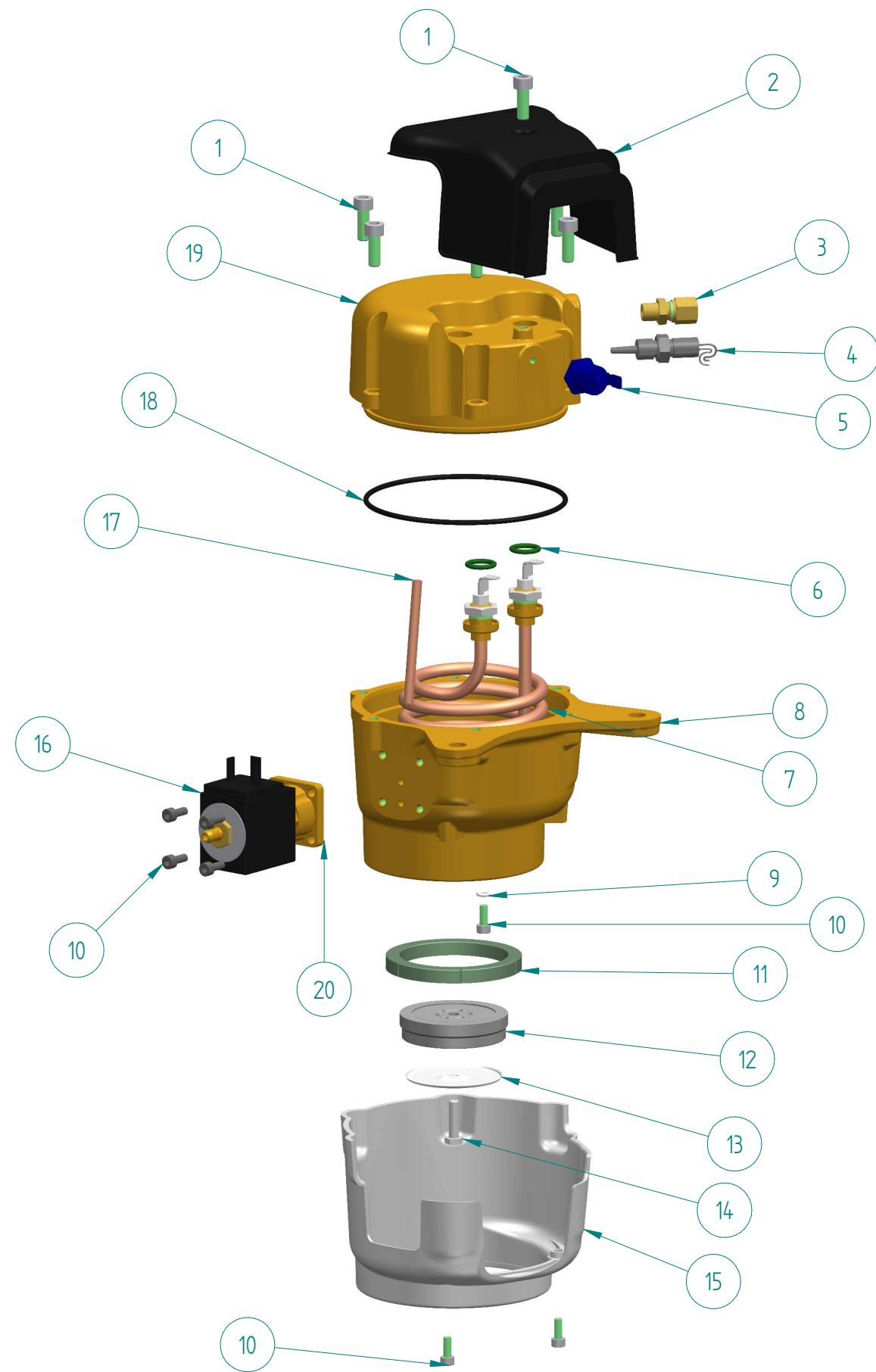
# VERSIONE XT 6T



ITEM	CODE	DESCRIPTION	NOTE
	A-MC-1509A	LEVER STEAM TAP ASSEMBLY RIGHT	
	A-MC-1508A *	LEVER STEAM TAP ASSEMBLY LEFT	
1	B-00-0101A	STRAIGHT COUPLING 1/8" D8	
2	B-MC-1632	STEAM TAP SHAFT BUSHING	
3	B-MC-1545A	STEAM TAP LEVER ARM	
4	B-MC-1546	STEAM TAP LEVER KNOB	TO ORDER SEPARATELY
4a	B-MC-1546-0 *	STEAM TAP LEVER KNOB OAK	TO ORDER SEPARATELY
4b	B-MC-1546-WN *	STEAM TAP LEVER KNOB WALNUT	TO ORDER SEPARATELY
5	B-00-0359	GRUB SCREW M6x16 DIN916	
6	B-MC-1528	STEAM TAP LEVER	
7	B-MC-1530	STEAM TAP BOOMERANG SHACKLE	
8	B-MC-1544	SHOULDER SCREW BOLT	
9	B-MC-1533	FIXED SPRING PIN	
10	B-MC-1542	MOVING SPRING PIN	
11	B-00-0361	STEAM LEVER MOVING SPRING	
12	B-MC-1531	LEVER SPACER	
13	B-MC-1532	LEVER FULCRUM PIN BOLT	
14	B-00-0192	SCREW TC+ A2 M3x16 DIN7985	
15	B-00-0135	NUT M3 UNI5588	
16	B-00-0369	WASHER M5 DIN125	
17	A-MC-1063	STEAM PIPE C/W CHROME NUT	
18	B-00-0378	SPHERICAL HEAD PIN A2 2,5x6	
19	B-00-0334	GRUB SCREW A2 M4 x 6 DIN 914	
20	B-MC-0533	STEAM TAP 90° FITTING	
21*	B-MC-1522	LEVER TAP BODY	NOT ORDINABLE
22*	B-MC-0532A	STEAM TAP COUNTER-BODY	NOT ORDINABLE
23*	B-00-0032	OR 5.7 x 1.9 VITON	
24*	B-MC-0110	SEAL RING	NON ORDINABLE
25*	B-MC-0111	STEAM TAP SPRING	NOT ORDINABLE
26*	B-MC-1631	STEAM TAP SHAFT	NOT ORDINABLE
27*	B-MC-0112	STEAM TAP SHUTTER GASKET	
28*	B-00-0033	OR 121	
29	A-MC-1549	STEAM TAP BODY RIGHT	
29a	A-MC-1548	STEAM TAP BODY LEFT	

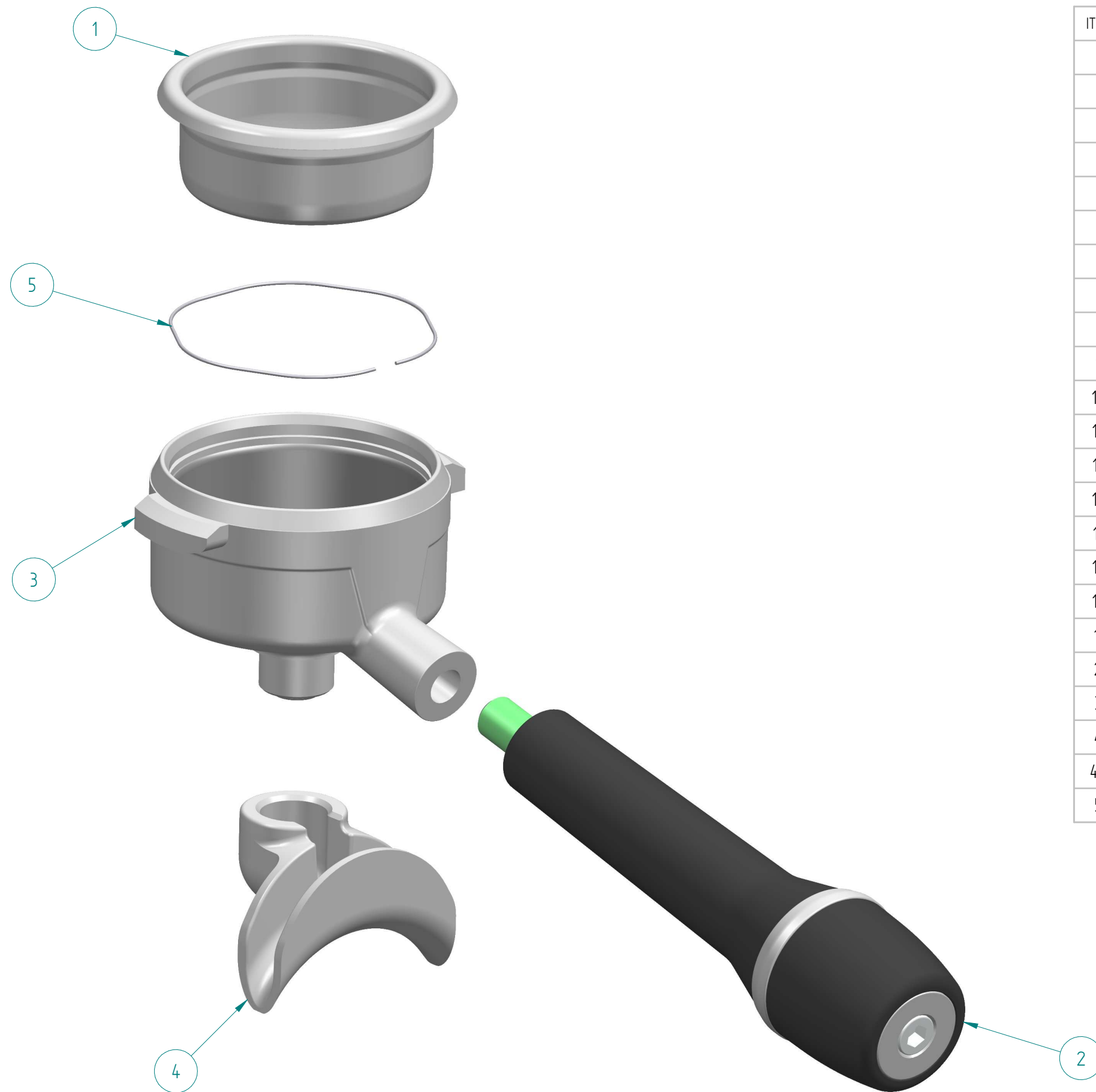


ITEM	CODE	DESCRIPTION	NOTE
	K-0183	KIT MCS XT	
1	K-0072	KIT MCS WAND H170 EVO2 XT	
2	B-00-0157A	T-COUPLING D8 1/4"	
3	B-00-0158A	L-COUPLING MF 1/4"	
4	B-00-0156	SOLENOID VALVE 2-WAY 24V	
5	B-00-0015A	STRAIGHT COUPLING 1/4" D8	
6	B-00-0142A	EXTENSION MF 1/4" 444	
7	B-00-0177A	L-COUPLING 1/4" D8	
8	B-MC-1603	MCS SUPPORT BRACKET	
9	B-00-0103	SCREW TE 8.8 M6x16 DIN933	
10	B-MC-1601	MCS PIPE 2ND SECTION	
11	B-MC-1600	MCS PIPE 1ST SECTION	
12	B-MC-1602	MCS PIPE 3RD SECTION	
13	A-MC-1159CA	MCS COMPLETE TEMPERATURE PROBE	
14	B-MC-0495A	MCS SPRAYER MY 13 W/ OR	
15	B-00-0165	OR 106 EPDM FOR MCS	



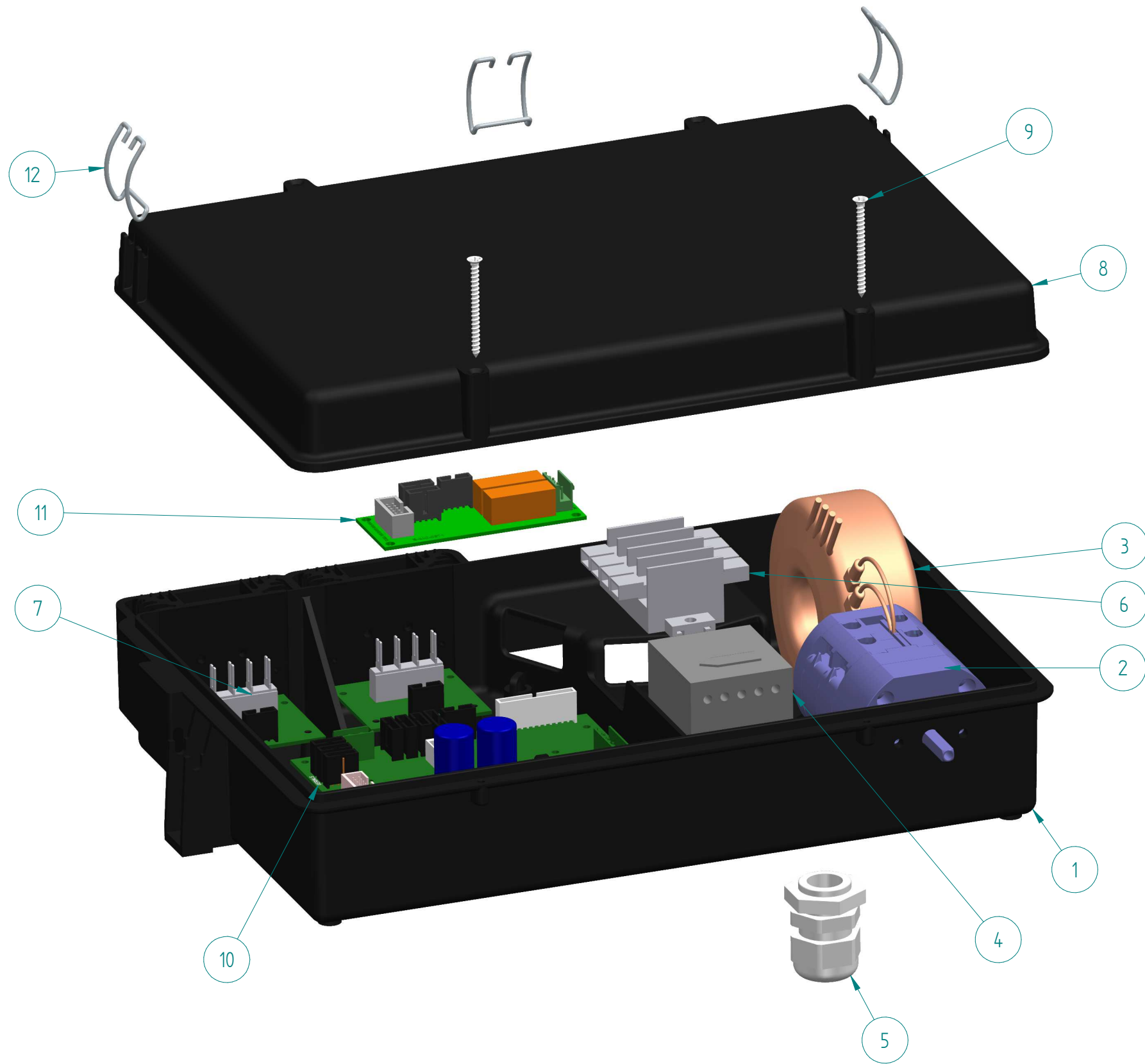
ITEM	CODE	DESCRIPTION	NOTE
	A-MC-1541	ASSEMBLED GROUPHEAD XT	
1	B-00-0109	SCREW TCEI A2 M6x16 DIN912	
2	B-MC-0211	GROUP HEATING ELEMENT PROTECTION	SUPPLIED SEPARATELY
3	B-00-0012A	STRAIGHT CONNECTION 1/8" D6	
4	B-MC-1132	TEMPERATURE PROBE PT1000 1/8"	
5	B-00-0024	SAFETY THERMOSTAT 1F 16A	
6	B-00-0046A	OR 11,30 x 2,40 FPM-FDA/70.vd	
7	B-MC-0003	GROUP HEATING ELEMENT 230V 850W	
8	B-MC-0034	GROUP BODY	
9	B-00-0100	OR 2015/BS 007 3,68x1,78	
10	B-00-0110	SCREW TCEI A2 M4x10 DIN912	
11	B-MC-0128	GASKET H7 70/75 SH	
11a	B-MC-0468 *	GASKET H7.7 70/75 SH	
11b	B-MC-0269 *	GASKET DEPTH TH. 0.5	
11c	B-MC-0470 *	GASKET H6.5 68/54	
11d	B-MC-0714 *	GASKET H7 85 SH HNBR NERO	
12	B-MC-1617	SHOWER HOLDER H12.5 INOX	
12a	B-MC-1628 *	SHOWER HOLDER H14 INOX	SUPPLIED SEPARATELY
12b	B-MC-1624 *	SHOWER HOLDER H10 INOX	SUPPLIED SEPARATELY
13	B-MC-0039	SHOWER	
13a	B-MC-0039A *	NANOTECH. TREATMENT SHOWER	
13b	B-MC-0461 *	SCREEN SHOWER	
14	B-00-0054	SCREW TE A2 M5X20 DIN933	FOR SHOWER HOLDER H12.5/14
14a	B-00-0205 *	SCREW TE A2 M5X16 DIN933	FOR SHOWER HOLDER H10
15	B-MC-0668	GROUP BODY COVER	SUPPLIED SEPARATELY
16	B-00-0025	SOLENOID VALVE 3-WAY 24V	
17	B-MC-0091	GROUP INNER PIPE	
18	B-00-0034	OR 3375/BS 154 94,92x2,62	
19	B-MC-1133B	GROUP TOP COVER XT	
20	B-00-0036	OR 105 VITON SOLENOID VALVE GR	



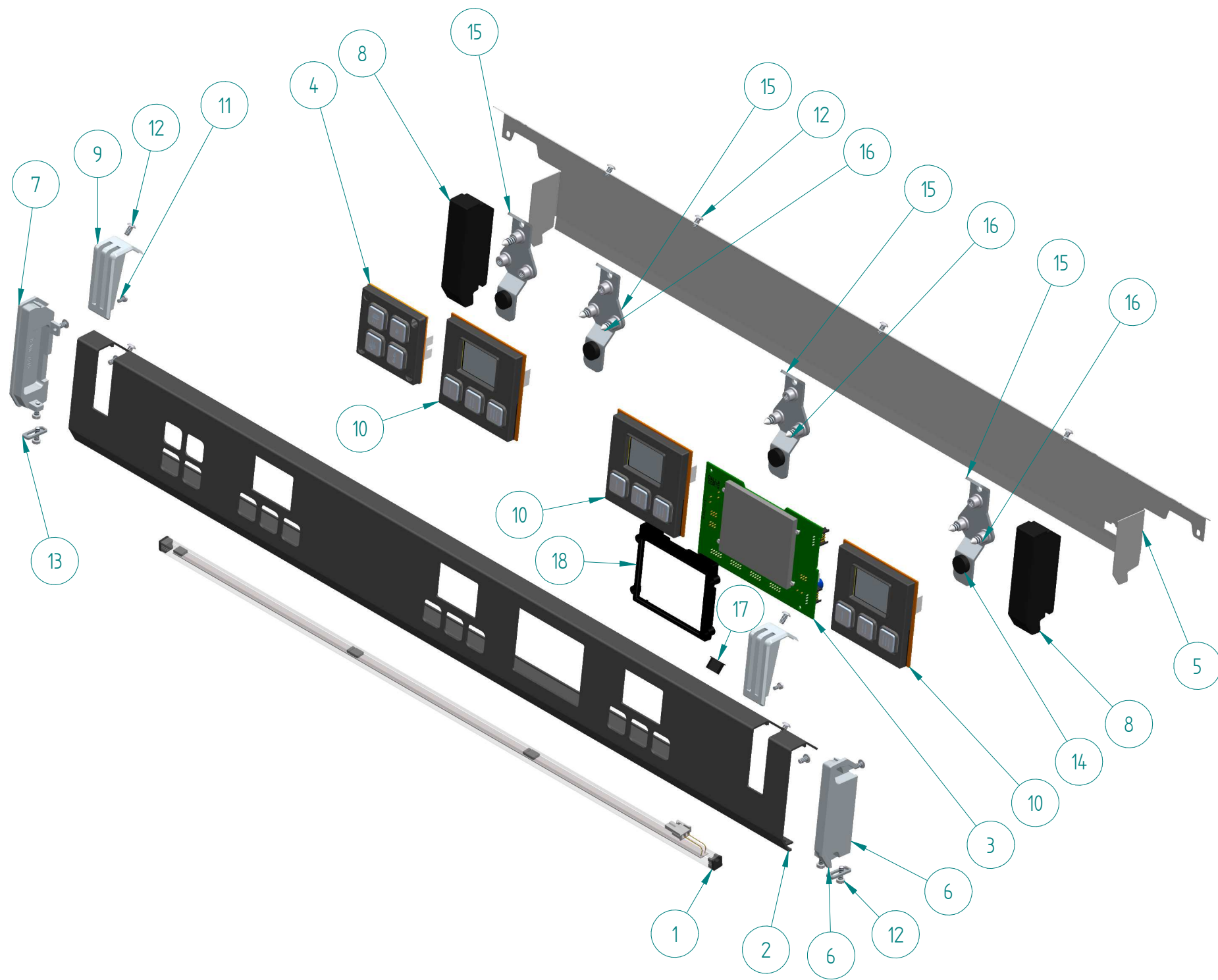


ITEM	CODE	DESCRIPTION	NOTE
	A-MC-1027C	COMPLETE 2-CUPS PORTAFILTER	
	B-MC-1171A *	PORTAFILTER NAKED D54	
	A-MC-1520-0 *	NAKED D54 PORTAFILTER OAK	
	A-MC-1520-WN *	NAKED D54 PORTAFILTER WALNUT	
	A-MC-1529A-0 *	2-CUP PORTAFILTER OAK	
	A-MC-1529A-WN *	2-CUP PORTAFILTER WALNUT	
	A-MC-1028C *	COMPLETE 1-CUP PORTAFILTER	
	A-MC-1530A-0 *	1-CUP PORTAFILTER OAK	
	A-MC-1530A-WN *	1-CUP PORTAFILTER WALNUT	
1	B-MC-0409C	2 CUP FILTER H24 (<14gr)	
1a	B-MC-0041B *	2 CUP FILTER H26 (14-15gr)	
1b	B-MC-0394C *	2 CUP FILTER H28 (15-18gr)	
1c	B-MC-0432B *	2 CUP FILTER H32 (21gr-)	
1d	B-MC-0729B *	2 CUP FILTER H30 (18-21gr)	
1f	B-MC-0224 *	BLIND FILTER	
1g	B-MC-0040B *	1 CUP FILTER H25 (7-9gr)	
1h	B-MC-0271B *	1 CUP FILTER H23 (6-7gr)	
1i	B-MC-0686B *	1 CUP FILTER H27 (9-10gr)	
2	B-MC-1111	FILTER HOLDER KNOB	
3	A-PC-0007	COATED PORTAFILTER BODY D54	
4	B-MC-0078	CHROMED 2-SHOT SPOUT	
4a	B-MC-0077 *	CHROMED 1-SHOT SPOUT	
5	B-00-0415	PORTAFILTER SPRING 1.1	



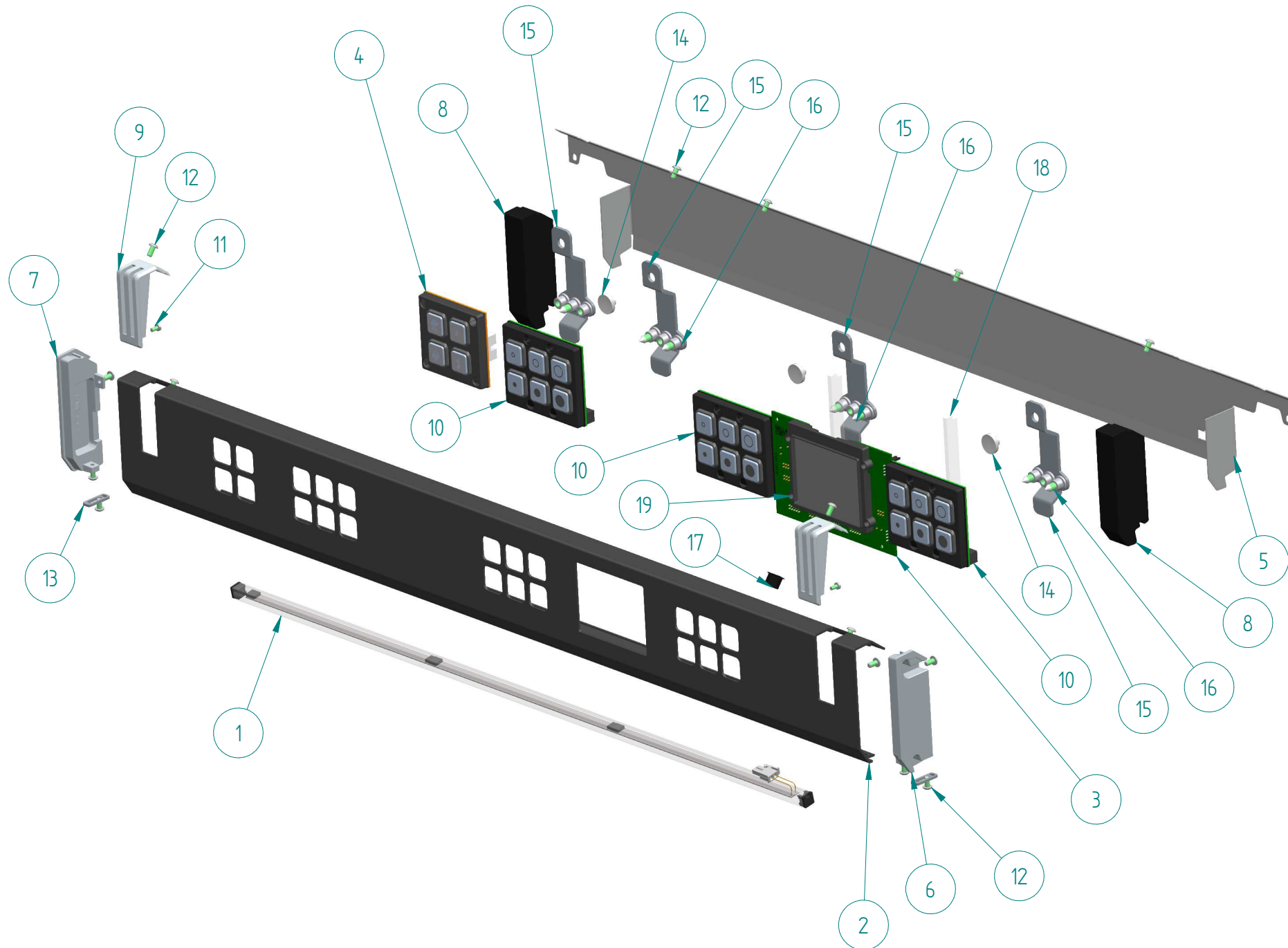


ITEM	CODE	DESCRIPTION	NOTE
1	B-MC-0015	ELECTRIC BOX	
2	B-00-0002	SWITCH 4P	
3	B-00-0169	TRANSFORMER 230V - 24V 95VA/12V 15VA	
4	B-00-0004	CONTACTOR 4P 25A 400V B230V	
5	B-00-0001	CABLE GLAND PG16	
6	A-MC-0054	FASTON 4-POLE 6.3 TERM. BOARD	
7	A-MC-1039	TRIAC UNIT	
8	B-MC-0016	ELECTRIC BOX COVER	
9	B-00-0116	SELF-TAPPING SC.3.5x45 DIN7982	
10	B-MC-0570	MANAG. ELECTRIC BOARD	
11	B-MC-0571	3rd+4th GR EXPANSION BOARD	
12	B-MC-1175	ELECTRIC BOX CLOSING SPRING	
13	B-MC-0656 **	3PH+N+T POWER CABLE	
13a	B-MC-0657 **	1PH. POWER CABLE	
14	B-MC-1565 **	ELECTRIC BOX WIRING 2GR	
14a	B-MC-1566 **	ELECTRIC BOX WIRING 3GR	
15	B-MC-1583 **	WIRING ACCESSORIES 2GR	
15a	B-MC-1584 **	WIRING ACCESSORIES 3GR	



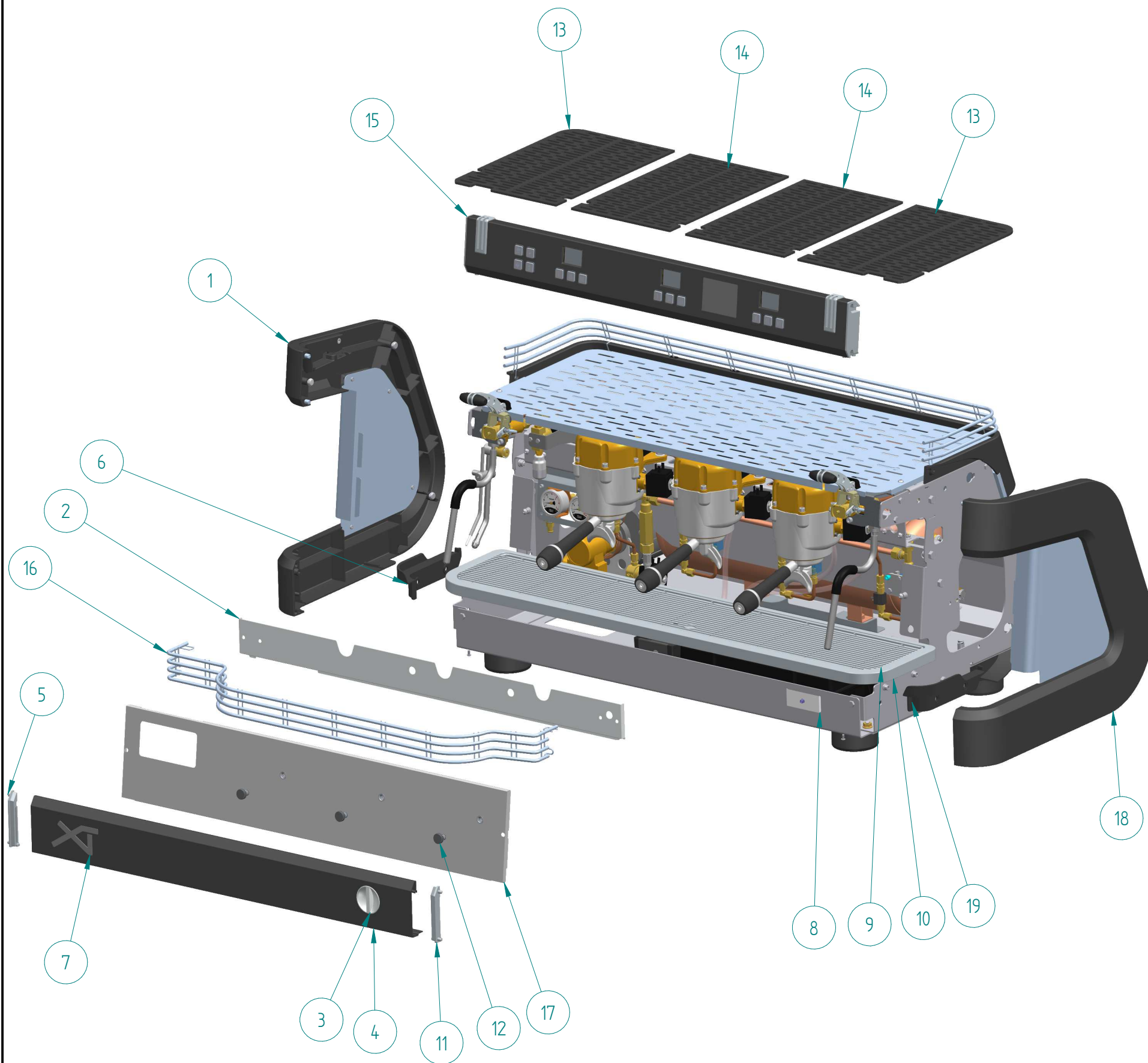
ITEM	OGGETTO	DESCRIZIONE	NOTE
	A-MC-1505W *	COMPLETE UPPER FRONT 3GR WHITE	
	A-MC-1505D *	COMPLETE UPPER FRONT 3GR DARK	
	A-MC-1504D *	COMPLETE UPPER FRONT 2GR DARK	
	A-MC-1504W *	COMPLETE UPPER FRONT 2GR WHITE	
1	A-MC-1048	COMPLETE LED BAR L600	FOR 3GR UPPER FRONT
1a	A-MC-1047	COMPLETE LED BAR L400	FOR 2GR UPPER FRONT
2	B-MC-1520D	FRONT PANEL 3GR DARK	
2a	B-MC-1520W *	FRONT PANEL 3GR WHITE	
2b	B-MC-1519D *	FRONT PANEL 2GR DARK	
2c	B-MC-1519W *	FRONT PANEL 2GR WHITE	
3	B-MC-1513	TOUCH DISPLAY	
4	A-MC-1512	PUSHBUTTON SET	
5	B-MC-1512	FRONTAL CLOSING SHEET 3GR	
5a	B-MC-1511	FRONTAL CLOSING SHEET 2GR	
6	B-MC-1514	FRONTAL PROFILE RIGHT	
7	B-MC-1515	FRONTAL PROFILE LEFT	
8	B-MC-1516	UPPER FRONT GASKET	
9	B-MC-1517	HOLLOW LEVER FINISH	
10	A-MC-1503	GROUP BOARD ASSEMBLY	
11	B-00-0182	SCREW TC+ M3x6 DIN7985 ZN	
12	B-00-0295	SCREW TBEI A2 M4x8 UNI7380	
13	B-MC-1574	FRONT PANEL SAFETY LOCK	
14	B-MC-0123	GASKET D15	
15	B-MC-1562	BOARD ASSEMBLY SUPPORT	
16	B-00-0363	GRUB SCREW A2 M6x20 DIN914	
17	B-00-0381	USB PLUG	
18	B-MC-1518	TOUCH DISPLAY FRAME	
19	B-MC-1582 **	WIRING UPPER FRONT 3GR	
19a	B-MC-1581 **	WIRING UPPER FRONT 2GR	

# VERSIONE XT 6T



ITEM	CODE	DESCRIPTION	NOTE
	A-MC-1544-W	COMPLETE UPPER FRONT 6T 2GR WHITE	
	A-MC-1545-D	COMPLETE UPPER FRONT 6T 2GR DARK	
	A-MC-1545-W	COMPLETE UPPER FRONT 6T 3GR DARK	
	A-MC-1544-D	COMPLETE UPPER FRONT 6T 3GR WHITE	
1	A-MC-1048	COMPLETE LED BAR L600	FOR 3GR UPPER FRONT
1a	A-MC-1047	COMPLETE LED BAR L400	FOR 2GR UPPER FRONT
2	B-MC-1622-D	FRONT PANEL 6T 3GR DARK	
2a	B-MC-1622-W	FRONT PANEL 6T 3GR WHITE	
2b	B-MC-1621-D	FRONT PANEL 6T 2GR DARK	
2c	B-MC-1621-W	FRONT PANEL 6T 2GR WHITE	
3	B-MC-1513	TOUCH DISPLAY	
4	A-MC-1512	PUSHBUTTON SET	
5	B-MC-1512	FRONTAL CLOSING SHEET 3GR	
5a	B-MC-1511	FRONTAL CLOSING SHEET 2GR	
6	B-MC-1514	FRONTAL PROFILE RIGHT	
7	B-MC-1515	FRONTAL PROFILE LEFT	
8	B-MC-1516	UPPER FRONT GASKET	
9	B-MC-1517	HOLLOW LEVER FINISH	
10	A-MC-1543	GROUP PUSH BUTTON 6T XT	
11	B-00-0182	SCREW TC+ M3x6 DIN7985 ZN	
12	B-00-0295	SCREW TBEI A2 M4x8 UNI7380	
13	B-MC-1574	FRONT PANEL SAFETY LOCK	
14	B-00-0410	TRANSPARENT RUBBER D 16	
15	B-MC-1619	BOARD 6T ASSEMBLY SUPPORT	
16	B-00-0363	GRUB SCREW A2 M6x20 DIN914	
17	B-00-0381	USB PLUG	
18	B-MC-1620	TOUCH BOARD BUFFER	
19	B-MC-1518	TOUCH DISPLAY FRAME	
20	B-MC-0598B **	WIRING UPPER FRONT 2GR	
20a	B-MC-0599B **	WIRING UPPER FRONT 3GR	
21	B-MC-1623	AMP USB FEMALE CABLE	





ITEM	CODE	DESCRIPTION	NOTE
1	-	LEFT SIDE BODY COMPLETE	See sheet 21
2	B-MC-1558	FRONT TOP PANEL 3GR INOX	
2a	B-MC-1558D *	FRONT TOP PANEL 3GR DARK	
2b	B-MC-1558W *	FRONT TOP PANEL 3GR WHITE	
2c	B-MC-1557 *	FRONT TOP PANEL 2GR INOX	
2d	B-MC-1557D *	FRONT TOP PANEL 2GR DARK	
2f	B-MC-1557W *	FRONT TOP PANEL 2GR WHITE	
3	B-MC-1077-AS	MAIN SWITCH KNOB BRUSHED ALLUM	
3a	B-MC-1077-D *	MAIN SWITCH KNOB DARK	
3b	B-MC-1077-W *	MAIN SWITCH KNOB WHITE	
4	B-MC-1550D	FRONT BOTTOM 3GR DARK	ADD n.1 B-MC-1599
4a	B-MC-1550W *	FRONT BOTTOM 3GR WHITE	ADD n.1 B-MC-1599
4b	B-MC-1549D *	FRONT BOTTOM 2GR DARK	ADD n.1 B-MC-1599
4c	B-MC-1549W *	FRONT BOTTOM 2GR WHITE	ADD n.1 B-MC-1599
5	B-MC-1548	PROFILE FRONT BOTTOM LEFT	
6	B-MC-1036	TRAY SUPPORT LEFT	
7	B-MC-1599	XT LOGO	
8	B-MC-1136	SWITCH KNOB SPRING	
9	B-MC-1032	TRAY GRID 3 GROUPS	
9a	B-MC-1031 *	TRAY GRID 2 GROUPS	
10	B-MC-1029	TRAY 3 GROUPS	
10a	B-MC-1028 *	TRAY 2 GROUPS	
11	B-MC-1547	PROFILE FRONT BOTTOM RIGHT	
12	B-MC-1598	MFR PLUG M10	
13	B-MC-1578	CUP GRID LATERAL SECTION	
14	B-MC-1577	CUP GRID CENTRAL SECTION	
15	-	COMPLETE UPPER FRONT 3GR	See sheet 17
15a	-	COMPLETE UPPER FRONT 2GR	See sheet 17
16	B-MC-1535	GROUPS PROTECTION GRID 3GR	
16a	B-MC-1534 *	GROUPS PROTECTION GRID 2GR	
17	B-MC-1556	FRONT PANEL 3GR INOX	
17a	B-MC-1556D *	FRONT PANEL 3GR DARK	
17b	B-MC-1556W *	FRONT PANEL 3GR WHITE	
17c	K-0189-0 *	PANELS KIT 3GR OAK XT	FRONT+RIGHT+LEFT+REAR PANELS
17d	K-0189-WN *	PANELS KIT 3GR WALNUT XT	FRONT+RIGHT+LEFT+REAR PANELS
17f	B-MC-1555 *	FRONT PANEL 2GR INOX	
17g	B-MC-1555D *	FRONT PANEL 2GR DARK	
17h	B-MC-1555W *	FRONT PANEL 2GR WHITE	
17i	K-0188-0 *	PANELS KIT 2GR OAK XT	FRONT+RIGHT+LEFT+REAR PANELS
17l	K-0188-WN *	PANELS KIT 2GR WALNUT XT	FRONT+RIGHT+LEFT+REAR PANELS
18	-	RIGHT SIDE BODY COMPLETE	See sheet 22
19	B-MC-1035	TRAY SUPPORT RIGHT	

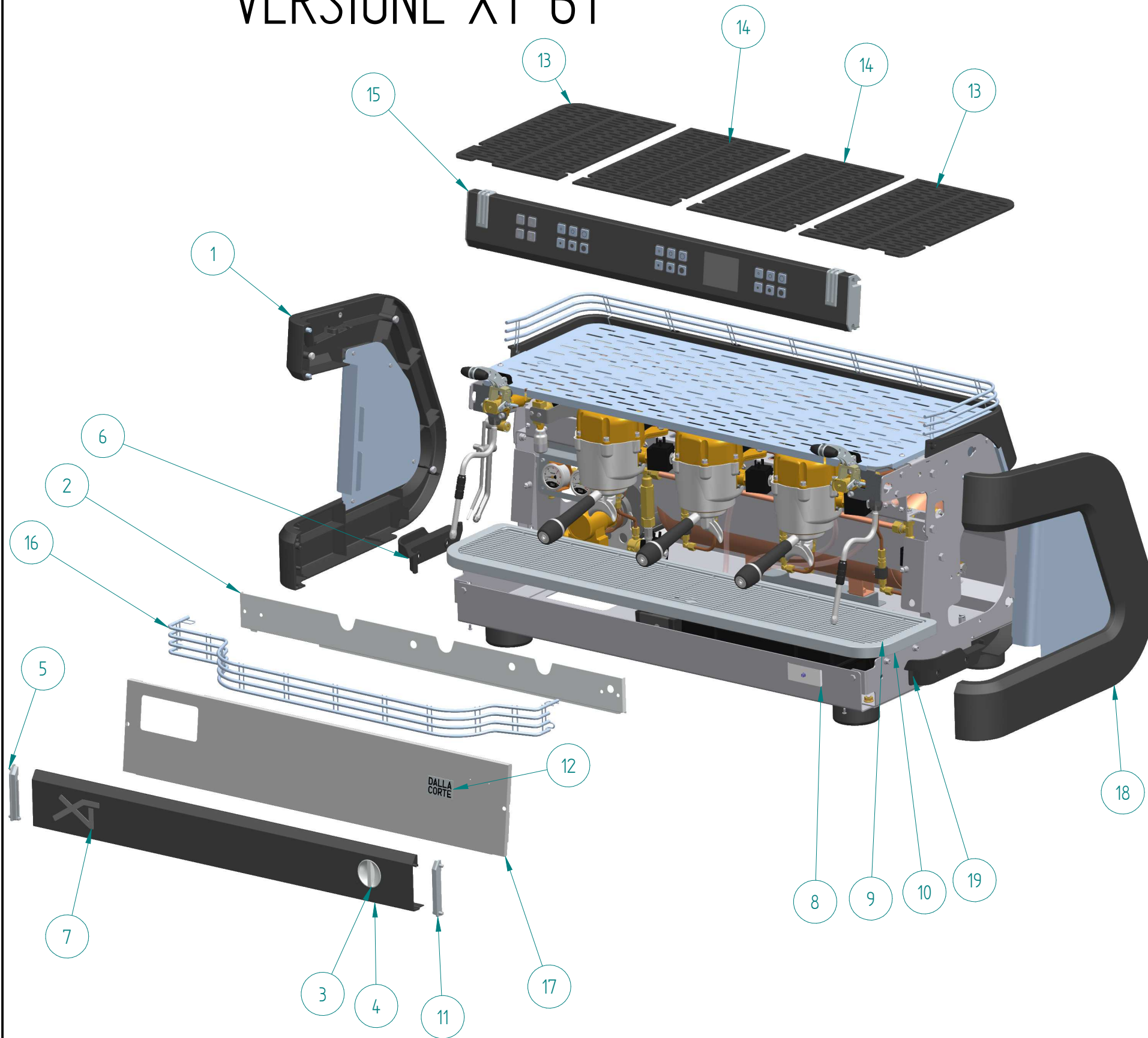
**DALLA CORTE**  
SPARE PARTS CATALOGUE  
DC PRO XT

DESCRIPTION	FRONTAL BODY
ASSEMBLY CODE	

REV	14
EMISSION DATE	MAY 2020

NOTE:  
\* ALTERNATIVE TO THE REPRESENTED COMPONENT  
\*\* NOT SHOWN COMPONENT

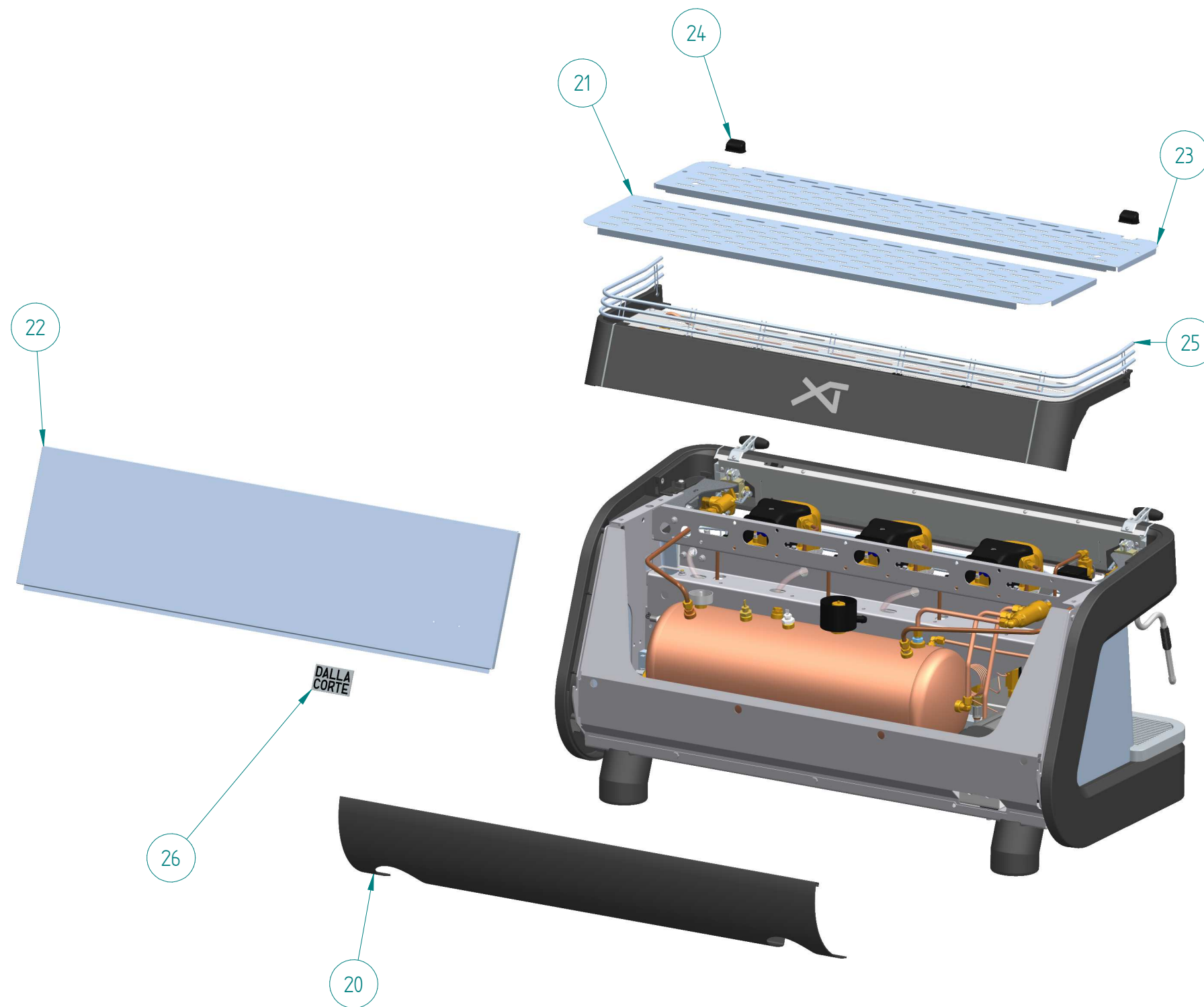
# VERSIONE XT 6T



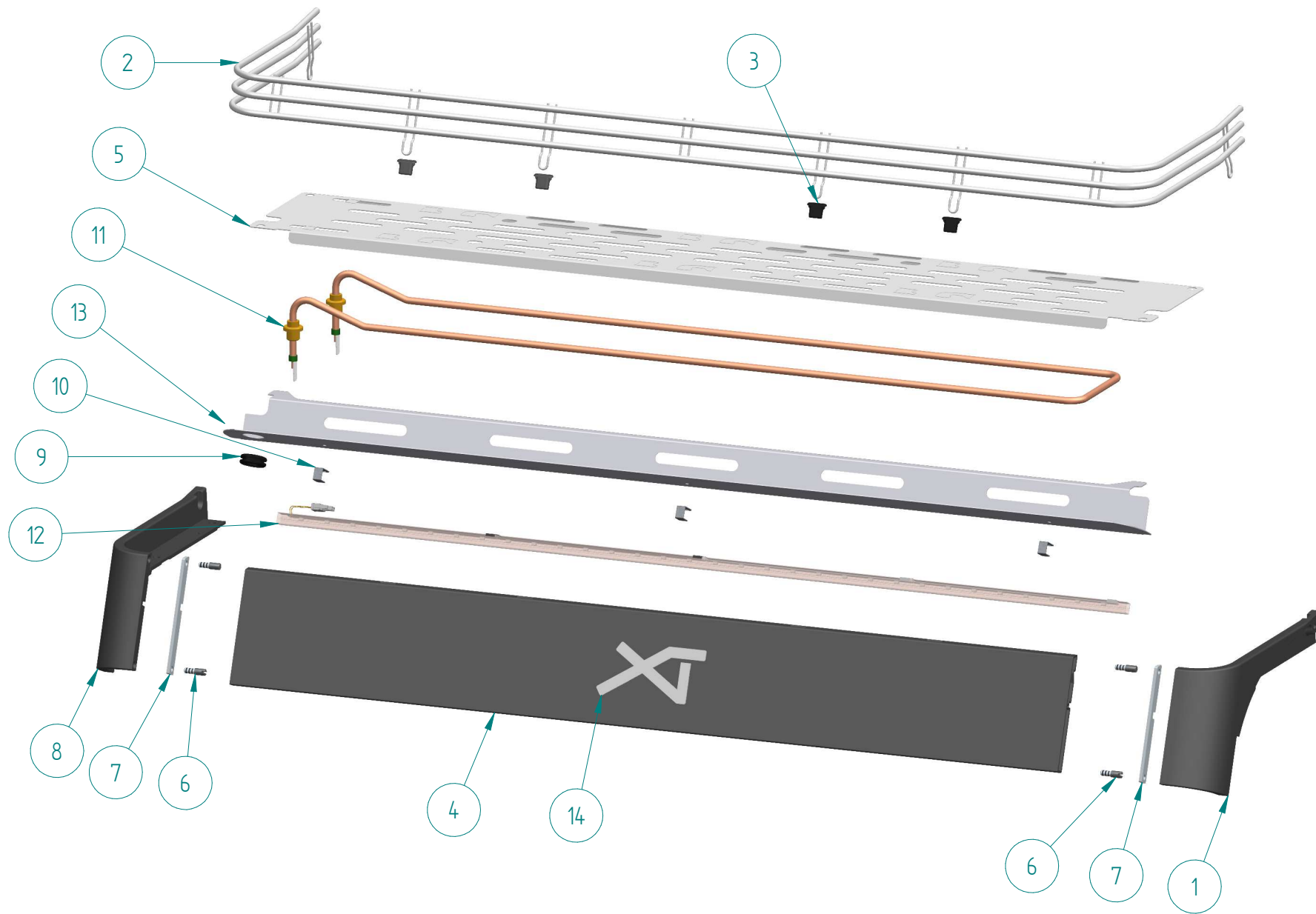
ITEM	OGGETTO	DESCRIZIONE	NOTE
1	-	LEFT SIDE BODY COMPLETE	See sheet 26
2	B-MC-1558	FRONT TOP PANEL 3GR INOX	
2a	B-MC-1558D *	FRONT TOP PANEL 3GR INOX	
2b	B-MC-1558W *	FRONT TOP PANEL 3GR DARK	
2c	B-MC-1557 *	FRONT TOP PANEL 3GR WHITE	
2d	B-MC-1557D *	FRONT TOP PANEL 2GR INOX	
2f	B-MC-1557W *	FRONT TOP PANEL 2GR DARK	
3	B-MC-1077-AS	MAIN SWITCH KNOB BRUSHED ALLUM	
3a	B-MC-1077-D *	MAIN SWITCH KNOB DARK	
3b	B-MC-1077-W *	MAIN SWITCH KNOB WHITE	
4	B-MC-1550D	FRONT BOTTOM 3GR DARK	ADD n.1 B-MC-1599
4a	B-MC-1550W *	FRONT BOTTOM 3GR WHITE	ADD n.1 B-MC-1599
4b	B-MC-1549D *	FRONT BOTTOM 2GR DARK	ADD n.1 B-MC-1599
4c	B-MC-1549W *	FRONT BOTTOM 2GR WHITE	ADD n.1 B-MC-1599
5	B-MC-1548	PROFILE FRONT BOTTOM LEFT	
6	B-MC-1036	TRAY SUPPORT LEFT	
7	B-MC-1599	XT LOGO	
8	B-MC-1136	SWITCH KNOB SPRING	
9	B-MC-1032	TRAY GRID 3 GROUPS	
9a	B-MC-1031 *	TRAY GRID 2 GROUPS	
10	B-MC-1029	TRAY 3 GROUPS	
10a	B-MC-1028 *	TRAY 2 GROUPS	
11	B-MC-1547	PROFILE FRONT BOTTOM RIGHT	
12	B-MC-0698	DC LOGO PL. MEDIUM53.5x33	
13	B-MC-1578	CUP GRID LATERAL SECTION	
14	B-MC-1577	CUP GRID CENTRAL SECTION	
15	-	COMPLETE UPPER FRONT 3GR	See sheet 21
15a	-	COMPLETE UPPER FRONT 2GR	See sheet 21
16	B-MC-1535	GROUPS PROTECTION GRID 3GR	
16a	B-MC-1534 *	GROUPS PROTECTION GRID 2GR	
17	B-MC-1069C	FRONT PANEL 3GR INOX	ADD n.1 B-MC-0698
17a	B-MC-1627 *	FRONT PANEL 3GR XT 6T DARK	ADD n.1 B-MC-0698
17b	B-MC-1279C *	FRONT PANEL 3GR XT 6T WHITE	ADD n.1 B-MC-0698
17c	K-0205-0 *	PANELS KIT 3GR OAK XT 6T	FRONT+RIGHT+LEFT+REAR PANELS
17d	K-0205-WN *	PANELS KIT 3GR WALNUT XT 6T	FRONT+RIGHT+LEFT+REAR PANELS
17f	B-MC-1068C *	FRONT PANEL 2GR INOX	ADD n.1 B-MC-0698
17g	B-MC-1626 *	FRONT PANEL 2GR XT 6T DARK	ADD n.1 B-MC-0698
17h	B-MC-1278C *	FRONT PANEL 2GR XT 6T WHITE	ADD n.1 B-MC-0698
17i	K-0206-0 *	PANELS KIT 2GR OAK XT 6T	FRONT+RIGHT+LEFT+REAR PANELS
17l	K-0206-WN *	PANELS KIT 2GR WALNUT XT 6T	FRONT+RIGHT+LEFT+REAR PANELS
18	-	RIGHT SIDE BODY COMPLETE	See sheet 27
19	B-MC-1035	TRAY SUPPORT RIGHT	

<b>DALLA CORTE</b> SPARE PARTS CATALOGUE DC PRO XT	DESCRIPTION	REV	NOTE: * ALTERNATIVE TO THE REPRESENTED COMPONENT ** NOT SHOWN COMPONENT	SHEET 23
	FRONTAL BODY	14		
ASSEMBLY CODE	EMISSION DATE			
	MAY 2020			

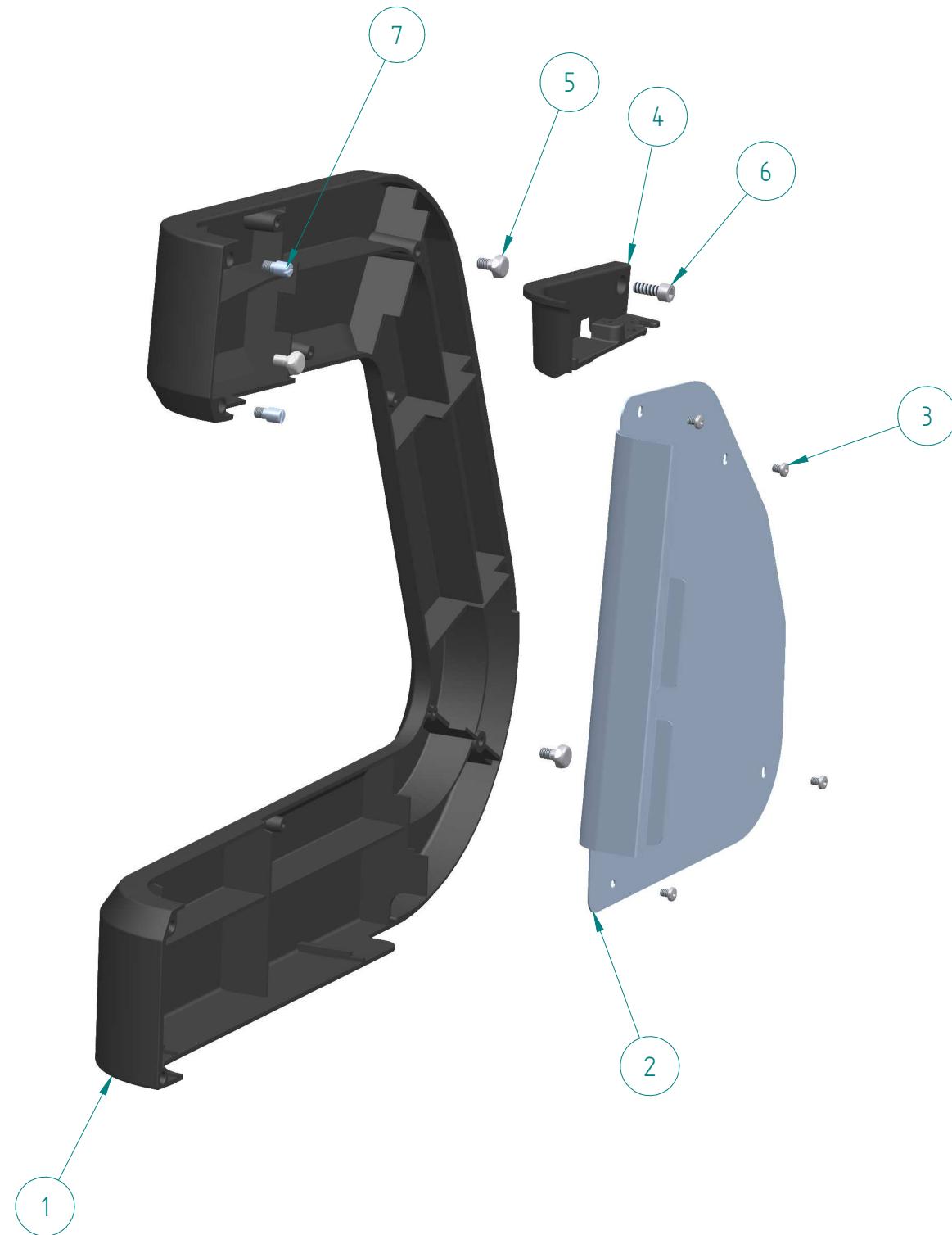




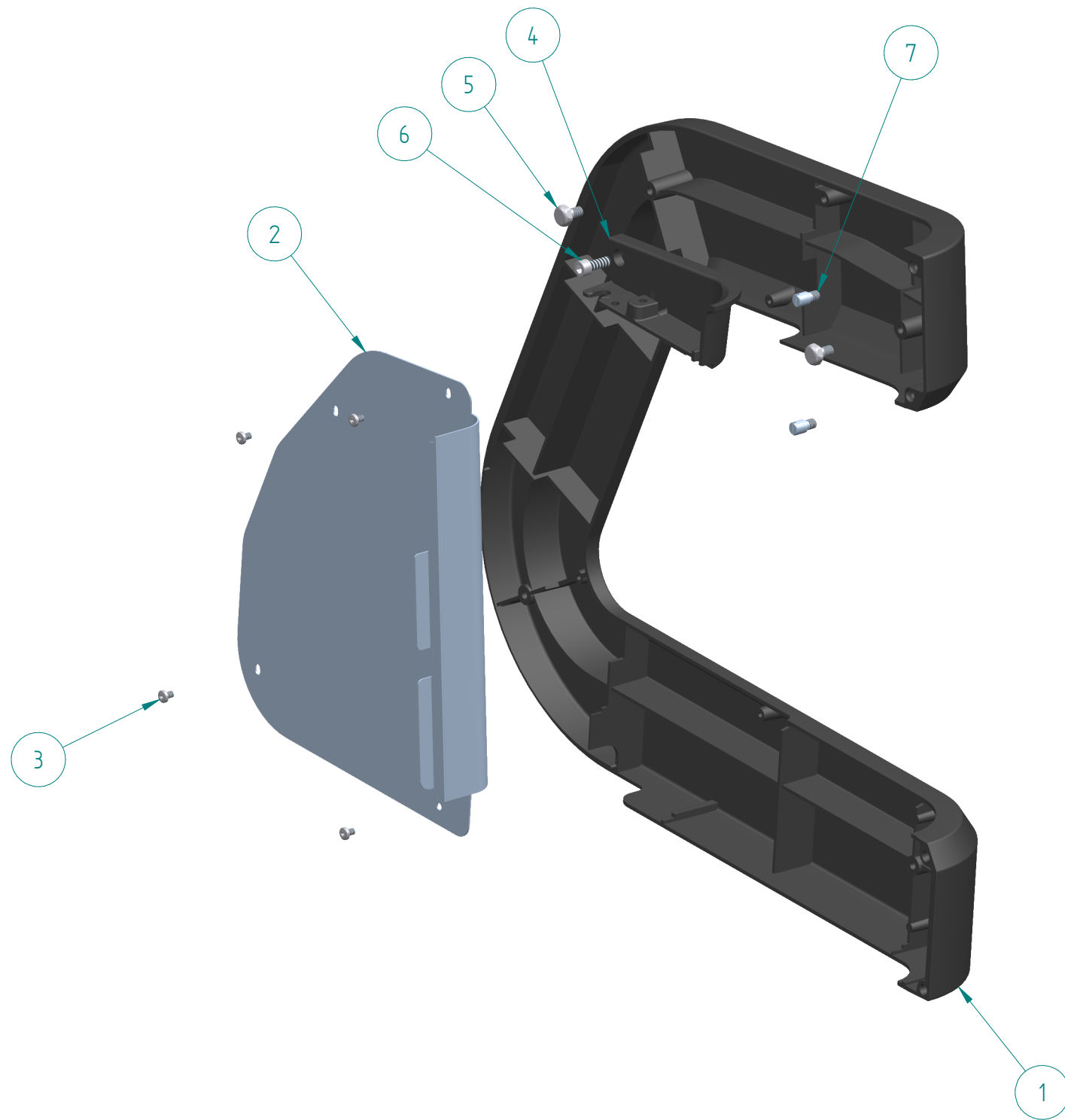
ITEM	CODE	DESCRIPTION	NOTE
20	B-MC-1568D	REAR PANEL 3GR DARK	
20a	B-MC-1568W *	REAR PANEL 3GR WHITE	
20b	B-MC-1567D *	REAR PANEL 2GR DARK	
20c	B-MC-1567W *	REAR PANEL 2GR WHITE	
21	B-MC-1060	REAR TOP GRID 3GR	
21a	B-MC-1059 *	REAR TOP GRID 2GR	
22	B-MC-1554	UPPER REAR PANEL 3GR INOX	ADD n.1 B-MC-0697
22a	B-MC-1554D *	UPPER REAR PANEL 3GR DARK	ADD n.1 B-MC-0697
22b	B-MC-1554W *	UPPER REAR PANEL 3GR WHITE	ADD n.1 B-MC-0697
22c	K-0189-0 *	PANELS KIT 3GR OAK XT	ADD n.1 B-MC-0697
22d	K-0189-WN *	PANELS KIT 3GR WALNUT XT	ADD n.1 B-MC-0697
22f	B-MC-1553 *	UPPER REAR PANEL 2GR INOX	ADD n.1 B-MC-0697
22h	B-MC-1553D *	UPPER REAR PANEL 2GR DARK	ADD n.1 B-MC-0697
22i	B-MC-1553W *	UPPER REAR PANEL 2GR WHITE	ADD n.1 B-MC-0697
22l	K-0188-0 *	PANELS KIT 2GR OAK XT	ADD n.1 B-MC-0697
22m	K-0188-WN *	PANELS KIT 2GR WALNUT XT	ADD n.1 B-MC-0697
23	B-MC-1560	FRONT TOP GRID 3GR	
23a	B-MC-1559 *	FRONT TOP GRID 2GR	
24	B-MC-1563	LEVER COVER	
25	-	CUP WARMING UNIT	See sheet 20
26	B-MC-0697	DALLA CORTE LOGO 71 x 43.5	



ITEM	CODE	DESCRIPTION	NOTE
1	B-MC-1571D	SPOILER LEFT DARK	
1a	B-MC-1571W *	SPOILER LEFT WHITE	
2	B-MC-1537	RETAINER CUPS 3GR	
2a	B-MC-1536 *	RETAINER CUPS 2GR	
3	B-MC-1148	GRID GUIDE INSERT	
4	B-MC-1541D	CENTRAL SPOILER 3GR DARK	
4a	B-MC-1541W *	CENTRAL SPOILER 3GR WHITE	
4b	B-MC-1540D *	CENTRAL SPOILER 2GR DARK	
4c	B-MC-1540W *	CENTRAL SPOILER 2GR WHITE	
5	B-MC-1012	CUP WARMER PLATE 3GR	
5a	B-MC-1011 *	CUP WARMER PLATE 2GR	
6	B-MC-1573	SPOILER SCREW PIN	
7	B-MC-1572	SPOILER PROFILE	
8	B-MC-1570D	SPOILER RIGHT DARK	
8a	B-MC-1570W *	SPOILER RIGHT WHITE	
9	B-MC-0195	GROMMET PG16	
10	B-MC-1332	LED TUBE SUPPORT	
11	B-MC-0184	CUP WARMER RESISTANCE 150W	FOR 3 GROUPS
11a	B-MC-0030 *	CUP WARMER RESISTANCE 100W	FOR 2 GROUPS
12	A-MC-0530	COMPLETE LED BAR L800	FOR 3 GROUPS
12a	A-MC-0529 *	COMPLETE LED BAR L600	FOR 2 GROUPS
13	B-MC-1168	CLOSING SHEET PROFILE 3GR	
13a	B-MC-1167 *	CLOSING SHEET PROFILE 2GR	
14	B-MC-1599	XT LOGO	

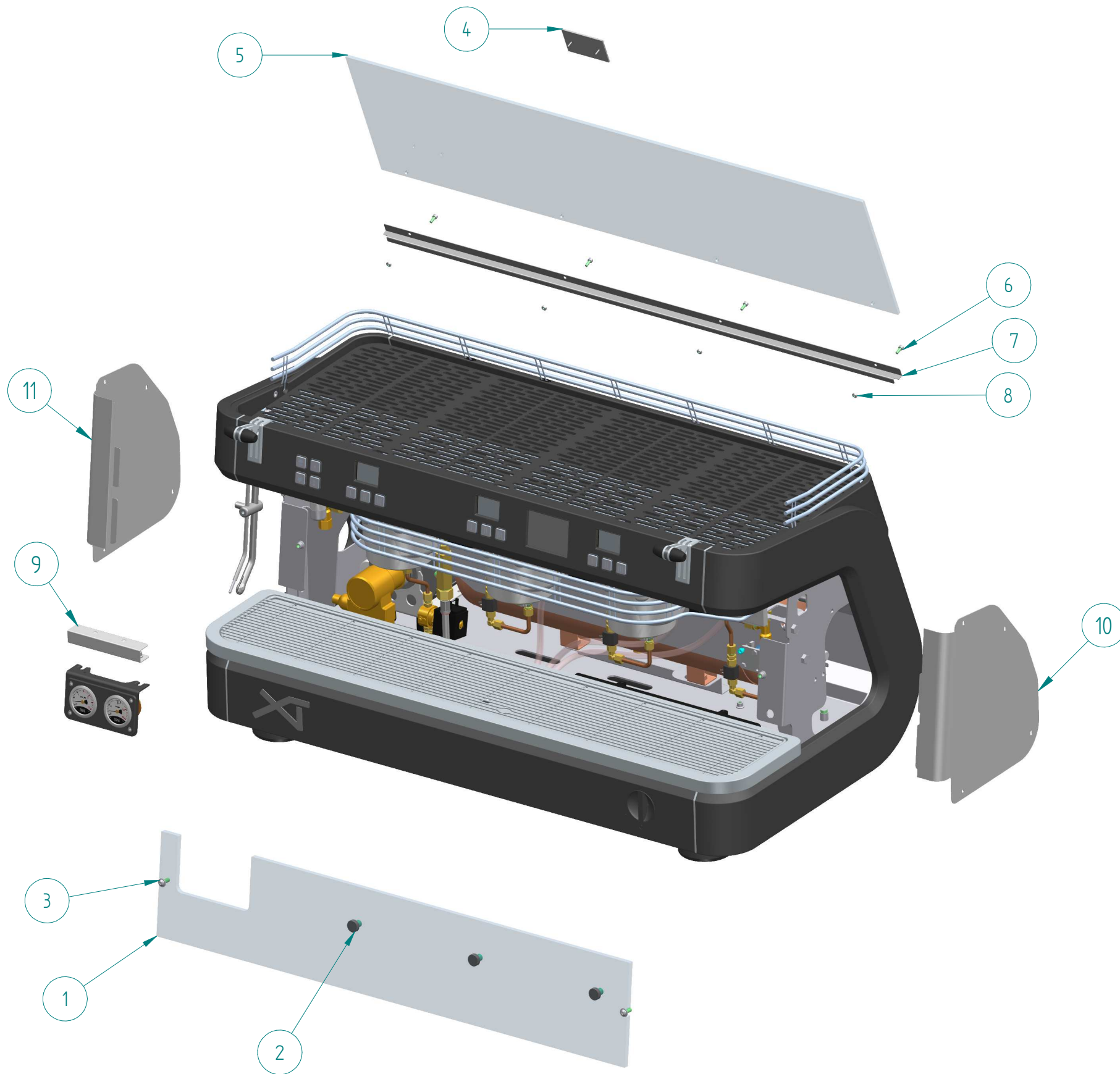


ITEM	CODE	DESCRIPTION	NOTE
	A-MC-1538DD	LEFT SIDE BODY DYNAMIC DARK	
	A-MC-1538TD *	LEFT SIDE BODY TOTAL DARK	
	A-MC-1538DW *	LEFT SIDE BODY DYNAMIC WHITE	
	A-MC-1538TW *	LEFT SIDE BODY TOTAL WHITE	
1	B-MC-1552D	LEFT SIDE BODY DARK	
1a	B-MC-1552W *	LEFT SIDE BODY WHITE	
2	B-MC-1216	LEFT SIDE PANEL INOX	
2a	B-MC-1303 *	LEFT SIDE PANEL WHITE	
2b	B-MC-1006D *	LEFT SIDE PANEL DARK	
2c	K-0188-0 *	PANELS KIT 2GR OAK XT	FRONT+RIGHT+LEFT+REAR PANELS
2d	K-0188-WN *	PANELS KIT 2GR WALNUT XT	FRONT+RIGHT+LEFT+REAR PANELS
2f	K-0189-0 *	PANELS KIT 3GR OAK XT	FRONT+RIGHT+LEFT+REAR PANELS
2g	K-0189-WN *	PANELS KIT 3GR WALNUT XT	FRONT+RIGHT+LEFT+REAR PANELS
3	B-00-0111	SCREW TC+ A2 M4x6 DIN7985	
4	B-MC-1539D	LEFT SIDE FINISHING DARK	
4a	B-MC-1539W	LEFT SIDE FINISHING WHITE	
5	B-MC-0173	SIDE COUPLING SCREW	
6	B-00-0109	SCREW TCEI A2 M6x16 DIN912	
7	B-MC-1007	FRONT SUPPORT PIN	



ITEM	CODE	DESCRIPTION	NOTE
	A-MC-1539DD	RIGHT SIDE BODY DYNAMIC DARK	
	A-MC-1539TD *	RIGHT SIDE BODY TOTAL DARK	
	A-MC-1539DW *	RIGHT SIDE BODY DYNAMIC WHITE	
	A-MC-1539TW *	RIGHT SIDE BODY TOTAL WHITE	
1	B-MC-1551D	RIGHT SIDE BODY DARK	
1a	B-MC-1551W *	RIGHT SIDE BODY WHITE	
2	B-MC-1215	RIGHT SIDE PANEL INOX	
2a	B-MC-1302 *	RIGHT SIDE PANEL WHITE	
2b	B-MC-1005D *	RIGHT SIDE PANEL DARK	
2c	K-0188-0 *	PANELS KIT 2GR OAK XT	FRONT+RIGHT+LEFT+REAR PANELS
2d	K-0188-WN *	PANELS KIT 2GR WALNUT XT	FRONT+RIGHT+LEFT+REAR PANELS
2f	K-0189-0 *	PANELS KIT 3GR OAK XT	FRONT+RIGHT+LEFT+REAR PANELS
2g	K-0189-WN *	PANELS KIT 3GR WALNUT XT	FRONT+RIGHT+LEFT+REAR PANELS
3	B-00-0111	SCREW TC+ A2 M4x6 DIN7985	
4	B-MC-1538D	RIGHT SIDE FINISHING DARK	
4a	B-MC-1538W *	RIGHT SIDE FINISHING WHITE	
5	B-MC-0173	SIDE COUPLING SCREW	
6	B-00-0109	SCREW TCEI A2 M6x16 DIN912	
7	B-MC-1007	FRONT SUPPORT PIN	





ITEM	CODE	DESCRIPTION	NOTE
1	B-MC-1614	3GR TRANSPARENT DRAIN COVER	
1a	B-MC-1613 *	2GR TRANSPARENT DRAIN COVER	
2	B-MC-1598	MFR PLUG M10	
3	B-00-0385	SCREW TTCE A2 M6x16 ISO7380-2	
4	B-MC-0697	DALLA CORTE LOGO 71 x 43.5	
5	B-MC-1616	3GR TRANSPARENT REAR PANEL	
5a	B-MC-1615 *	2GR TRANSPARENT REAR PANEL	
6	B-00-0110	SCREW TCEI A2 M4x10 DIN912	
7	B-MC-1327	3GR TRANSP. REAR PANEL SUPPORT	
7a	B-MC-1326 *	2GR TRANSP. REAR PANEL SUPPORT	
8	B-00-0121	NUT M4 DADO M4 UNI 5588 ZN	
9	B-MC-1507NX	PRESSURE GAUGE SUPPORT ADAPTER INOX	
10	B-MC-1629	RIGHT SIDE PANEL TRASPARENT	
11	B-MC-1630	LEFT SIDE PANEL TRASPARENT	

**DALLA CORTE**  
SPARE PARTS CATALOGUE  
DC PRO XT

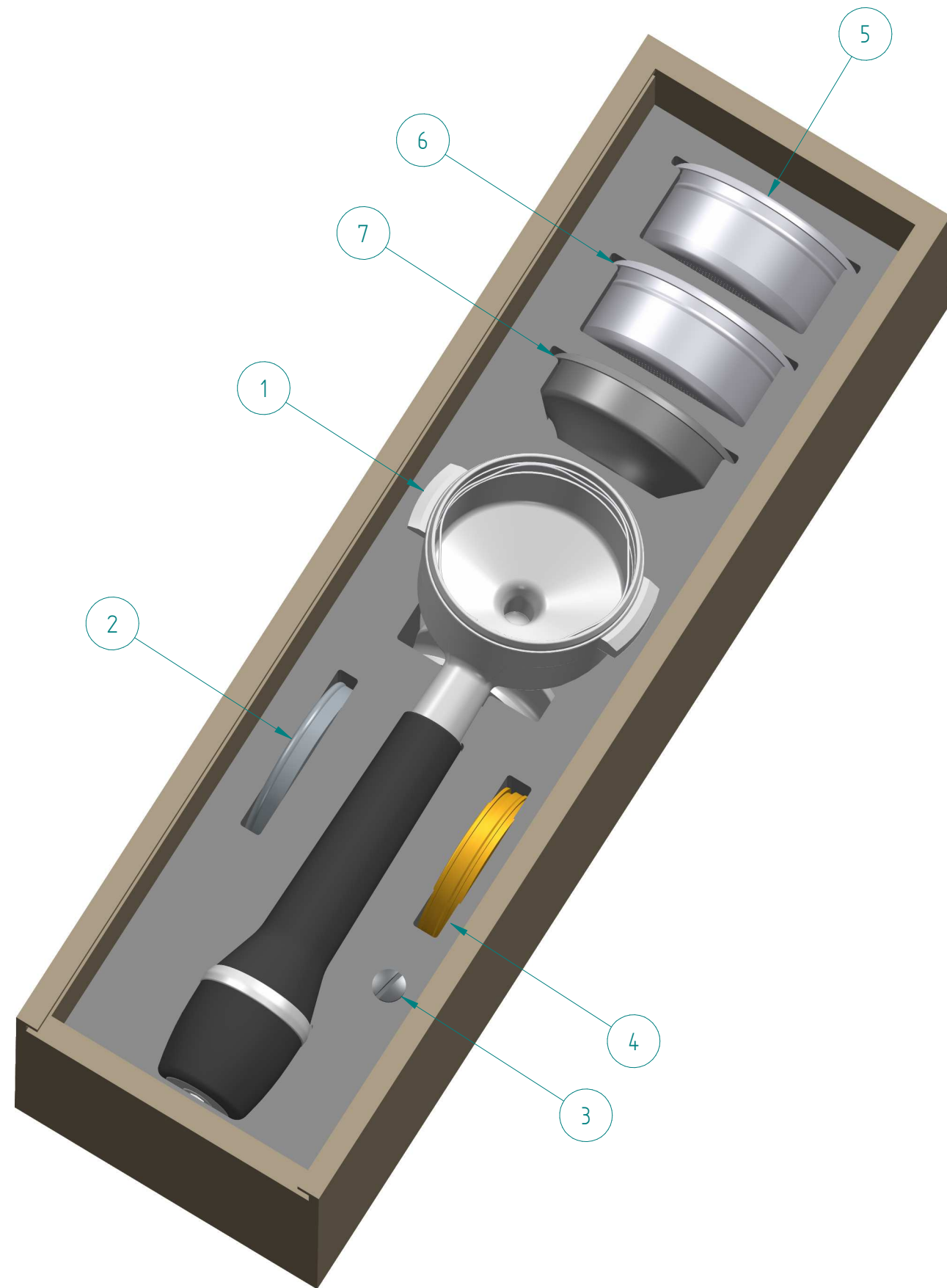
DESCRIPTION  
TRANSPARENT PARTS  
ASSEMBLY CODE

REV  
14  
EMISSION DATE  
MAY 2020

NOTE:  
\* ALTERNATIVE TO THE REPRESENTED COMPONENT  
\*\* NOT SHOWN COMPONENT

SHEET  
28





ITEM	CODE	DESCRIPTION	NOTE
	K-0178	KIT PF D58 2 CUPS	
	K-0178-0 *	KIT PF D58 2 CUPS OAK	
	K-0178-WN *	KIT PF D58 2 CUPS WALNUT	
1	A-MC-1525A	2-CUP PORTAFILTER D58	
1a	A-MC-1525A-0	2-CUP PORTAFILTER D58 OAK	
1b	A-MC-1525A-WN	2-CUP PORTAFILTER D58 WALNUT	
2	B-MC-1594	NANOTECH. TREATMENT SHOWER D58	
3	B-MC-1595	D58 SHOWER HOLDER SCREW	
4	B-MC-1593	SHOWER HOLDER D58	
5	B-MC-1611	2 CUP FILTER H28 D58	
6	B-MC-1597	2 CUP FILTER H26,5 D58	
7	B-MC-1612	BLIND FILTER D58	

# ACCESSORIES



## A-MC-1046

GROUP HANDLE SCASE  
DEVISE



## B-MC-0404

GROUP CLEANER BOX 120  
TABLETS



## B-00-0045

BLACK SPIRAL DRAIN  
PIPE (MT)



## B-MC-0194

BRUSH CLEANING  
SHOWERS



## B-00-0029

FLEX WATER PIPE 3/8" L70



## B-MC-0225

KEY FOR SHOWER SCREW



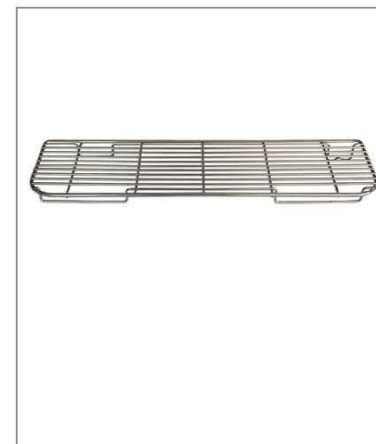
## B-00-0030

FLEX WATER PIPE 3/8" L150  
WITH 1 PIPE-SHAPED  
CONNECTION



## B-00-0382

ANGLED HEXAGON  
KEYS 4mm



## B-MC-1173

2 GROUPS RAISED LEVEL  
DRIP TRAY GRILL

## B-MC-1174

3 GROUPS RAISED LEVEL  
DRIP TRAY GRILL

# ACCESSORIES



---

## B-MC-0478A

STAINLESS STEEL TAMPER  
D 54,5

---

## B-MC-0478A-0

STAINLESS STEEL TAMPER  
D 54,5+OAK

---

## B-MC-0478A-WN

STAINLESS STEEL TAMPER  
D 54,5+WALNUT



---

## A-PC-0002

STAINLESS STEEL TAMPER  
D 58



---

## A-PC-0003

TAMPER D 54,5  
WITH XT'S TOOL



---

## A-PC-0001

COFFEE CALIBER



---

## 1-PC-083

TAMPING MAT



---

## K-0179-0

2 GR OAK ACCESSORIES KIT

---

## K-0180-0

3 GR OAK ACCESSORIES KIT

---

## K-0179-WN

2 GR WALNUT  
ACCESSORIES KIT

---

## K-0180-WN

3 GR WALNUT  
ACCESSORIES KIT