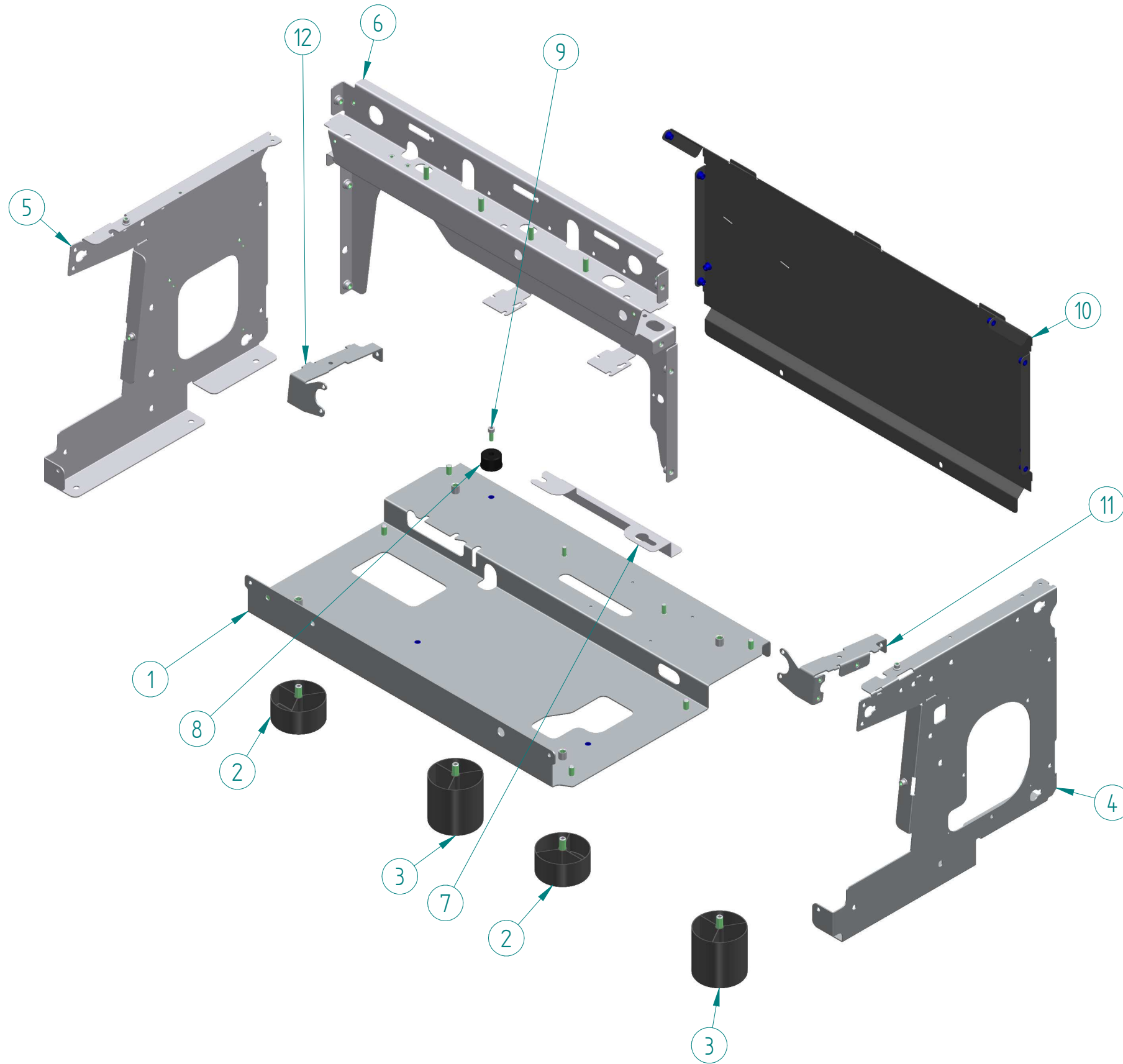


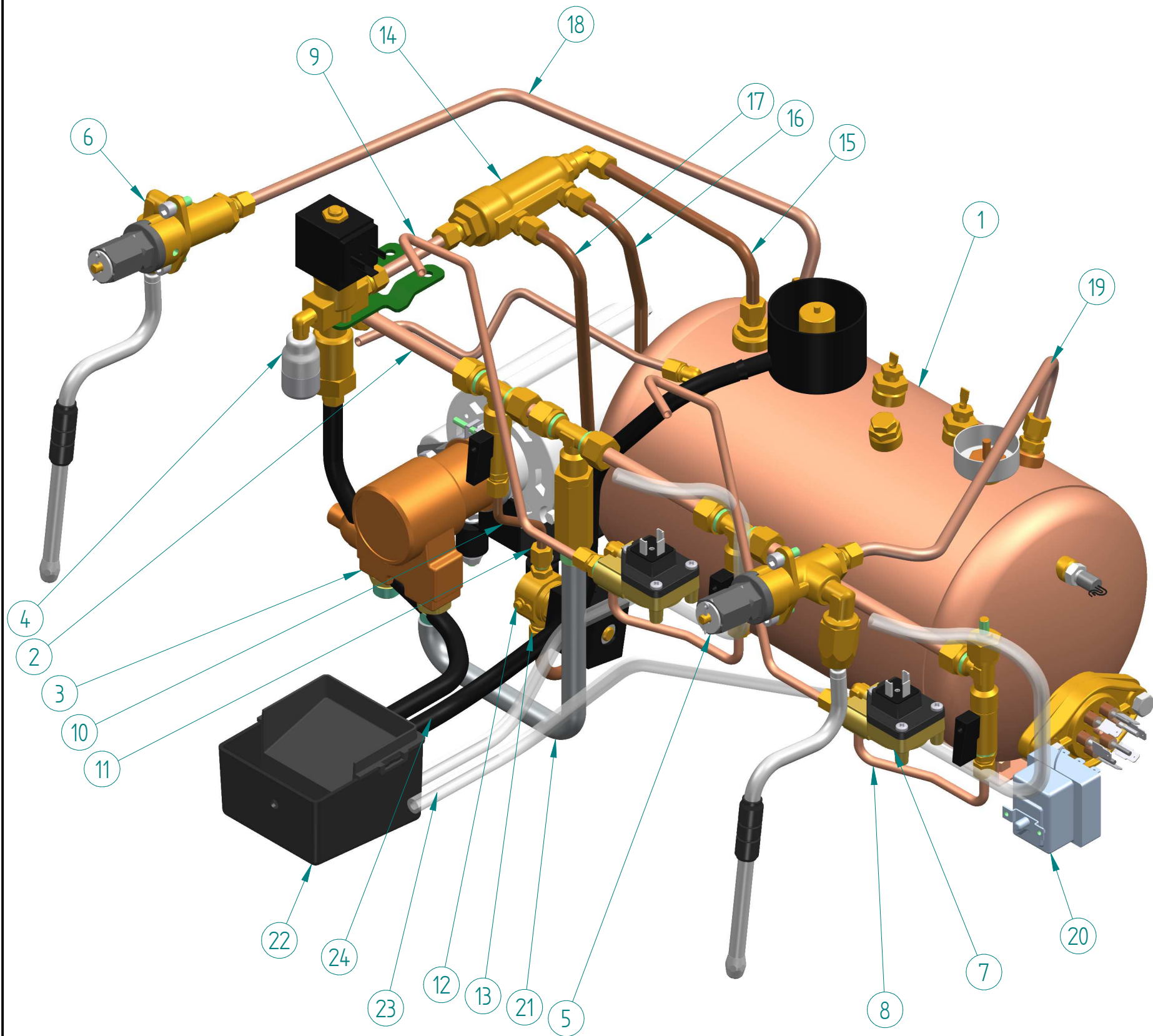
DALLA
CORTE

SPARE PARTS CATALOGUE

evo₂



ITEM	CODE	DESCRIPTION	NOTE
1	B-MC-0501	BASE FRAME 2GR	NOT ORDERABLE
1a	B-MC-0502 *	BASE FRAME 3GR	NOT ORDERABLE
1b	B-MC-0503 *	BASE FRAME 4GR	NON ORDINABILE
2	B-MC-1255	FOOT D80 H40	
2a	A-MC-1238 *	FOOT D80 H40 TITANIUM	
2b	A-MC-1297 *	FOOT D80 H40 BLACK	
2c	A-MC-1300 *	FOOT D80 H40 WHITE	
3	B-MC-1256	FOOT D80 H80 ALUMINIUM	
3a	A-MC-1239 *	FOOT D80 H80 TITANIUM	
3b	A-MC-1298 *	FOOT D80 H80 BLACK	
3c	A-MC-1301 *	FOOT D80 H80 WHITE	
4	B-MC-0504	RIGHT INNER FLANK	NOT ORDERABLE
5	B-MC-0505	LEFT INNER FLANK	NOT ORDERABLE
6	B-MC-0506	CENTRAL CROSS 2GR	NOT ORDERABLE
6a	B-MC-0507 *	CENTRAL CROSS 3GR	NOT ORDERABLE
6b	B-MC-0508 *	CENTRAL CROSS 4GR	NOT ORDERABLE
6c	B-MC-0631 *	CENTRAL CROSS 2GR HIGH	NOT ORDERABLE
6d	B-MC-0632 *	CENTRAL CROSS 3GR HIGH	NOT ORDERABLE
6e	B-MC-0653 *	CENTRAL CROSS 4GR HIGH	NOT ORDERABLE
7	B-MC-1123	BOILER SUPPORT	
8	B-MC-0187	RUBBER ANTIVIBRATION H20 SH50	
9	B-00-0109	SCREW TCEI A2 M6x16 DIN912	
10	B-MC-0509	REAR CROSS 2GR	NOT ORDERABLE
10a	B-MC-0510 *	REAR CROSS 3GR	NOT ORDERABLE
10b	B-MC-0511 *	REAR CROSS 4GR	
11	B-MC-0512	RIGHT TAP SUPPORT	
11a	B-MC-0629 *	RIGHT TAP SUPPORT HIGH	
12	B-MC-0513	LEFT TAP SUPPORT	
12a	B-MC-0630 *	LEFT TAP SUPPORT HIGH	



ITEM	CODE	DESCRIPTION	NOTE
1	A-MC-1006	COMPLETE BOILER 7 LITER	SEE DETAIL SHEET 9
1a	A-MC-1007 *	COMPLETE BOILER 13 LITER	SEE DETAIL SHEET 9
2	A-MC-1022	COMPLETE COLLECTOR 2GR	SEE DETAIL SHEET 8
2a	A-MC-1023 *	COMPLETE COLLECTOR 3GR	SEE DETAIL SHEET 8
2b	A-MC-1024 *	COMPLETE COLLECTOR 4GR	SEE DETAIL SHEET 8
3	A-MC-0514ATF	COMPLETE MOTOR PUMP 2GR 120W 230V 100lt	SEE DETAIL SHEET 5
3a	A-MC-0024TF *	COMPLETE MOTORPUMP 3-4GR 165W 230V 100lt	SEE DETAIL SHEET 5
3b	A-MC-0080TF	COMPLETE MOTORPUMP 165W UL/CSA	SEE DETAIL SHEET 5
4	A-MC-1026	SUPPLY GROUP THE	SEE DETAIL SHEET 6
4a	A-MC-1051 *	SUPPLY GROUP THE HIGH	SEE DETAIL SHEET 6
5	A-MC-0512A	COMPLETE RIGHT STEAM TAP	SEE DETAIL SHEET 12
6	A-MC-0513A	COMPLETE LEFT STEAM TAP	SEE DETAIL SHEET 12
7	A-MC-1021	COMPLETE FLOW METER	SEE DETAIL SHEET 7
8	B-MC-1095	PIPE FROM COLLECTOR TO CV	ALSO ORDER n.2 PZ B-00-0012A
9	B-MC-1109	PIPE SUPPLY GROUP	ALSO ORDER n.2 PZ B-00-0012A
9a	B-MC-1249 *	PIPE SUPPLY GROUP HIGH	ALSO ORDER n.2 PZ B-00-0012A
10	B-MC-1119	PIPE FROM COLLECTOR TO ECV	ALSO ORDER n.2 PZ B-00-0015A
11	B-00-0012A	STRAIGHT CONNECTION 1/8" D6	
12	B-00-0026	SOLENOID VALVE 2V	
12a	B-00-0248A	SOLENOID VALVE 2V+RF 24V D2V UL/CSA	FOR MACHINE ETL
13	B-00-0101A	STRAIGHT CONNECTION 1/8" D8	
14	A-MC-0532	COMPLETE EXCHANGER	SEE DETAIL SHEET 10
15	B-MC-0579	PIPE FROM FISHING PIPE TO EXCHANGER	ALSO ORDER n.2 PZ B-00-0015A
16	B-MC-0580	PIPE FROM EXCHANGER TO BOILER 2-3GR	ALSO ORDER n.2 PZ B-00-0015A
17	B-MC-0581	PIPE FROM SOLENOID LOAD VALVE TO EXCHANGER	ALSO ORDER n.2 PZ B-00-0015A
18	B-MC-0582	LEFT STEAM PIPE 2-3GR	ALSO ORDER n.2 PZ B-00-0015A
18a	B-MC-0584	EVO2 4G LEFT STEAM PIPE	ALSO ORDER n.2 PZ B-00-0015A
19	B-MC-0583	RIGHT STEAM PIPE 2-3GR	ALSO ORDER n.2 PZ B-00-0015A
19a	B-MC-0589	EVO2 4G RH STEAM PIPE	ALSO ORDER n.2 PZ B-00-0015A
20	B-00-0023	SAFETY THERMOSTAT 3F 25A	
21	B-00-0360	FLEX PIPE 3/8" L22,5 "L" CONNECTION	
22	B-MC-0017	DRAIN PAN	
23	B-00-0325	SILICON PIPE 6x10 TRANSPARENT	
23a	B-00-0082 *	SILICON PIPE 5x10 TRANSPARENT	
24	B-00-0084	BLACK SILICON PIPE SH 60 SEZ. ø8 x 12 VS	

DALLA CORTE
SPARE PARTS CATALOGUE
EVO2

DESCRIPTION
HYDRAULIC SYSTEM

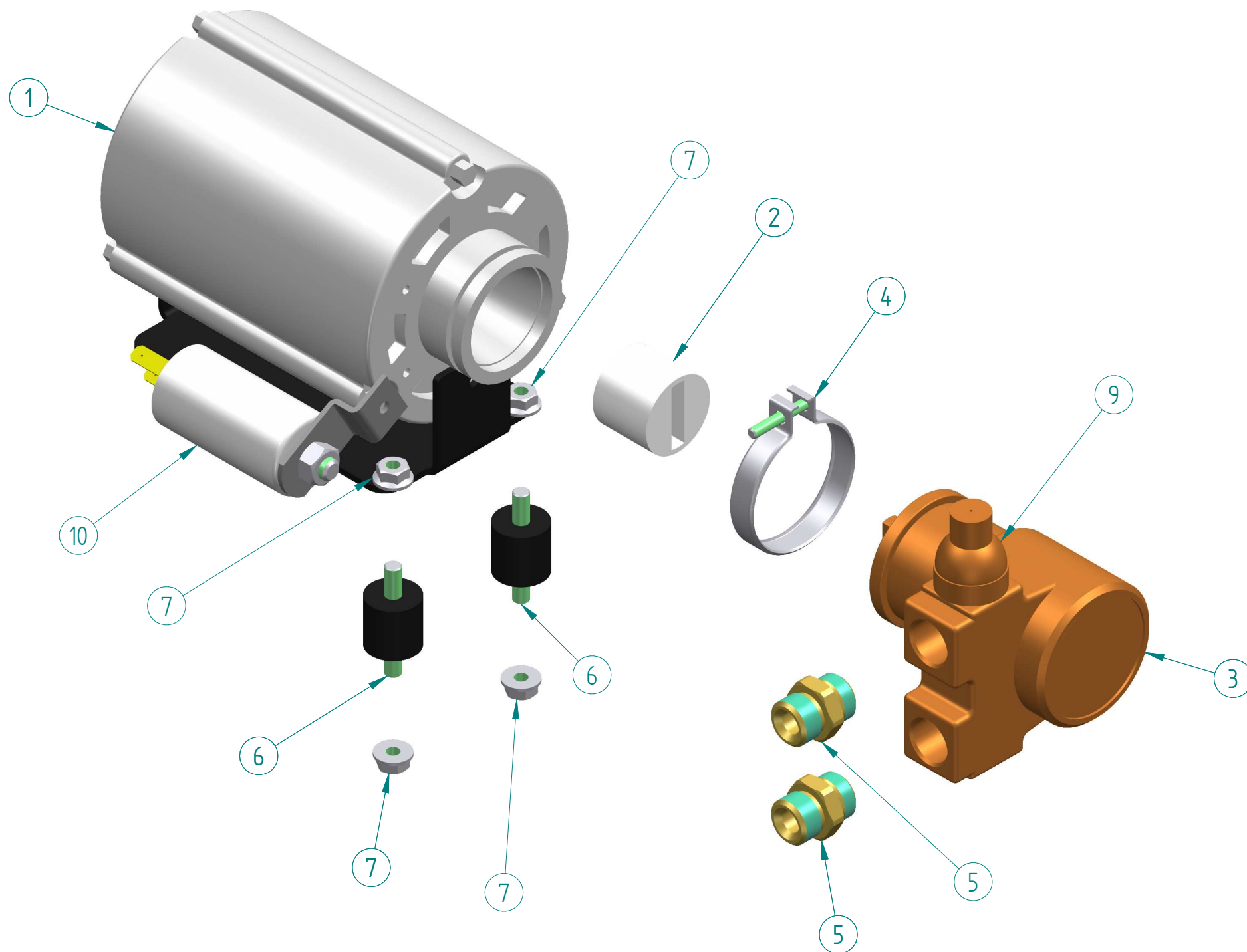
ASSEMBLY CODE

REV
27

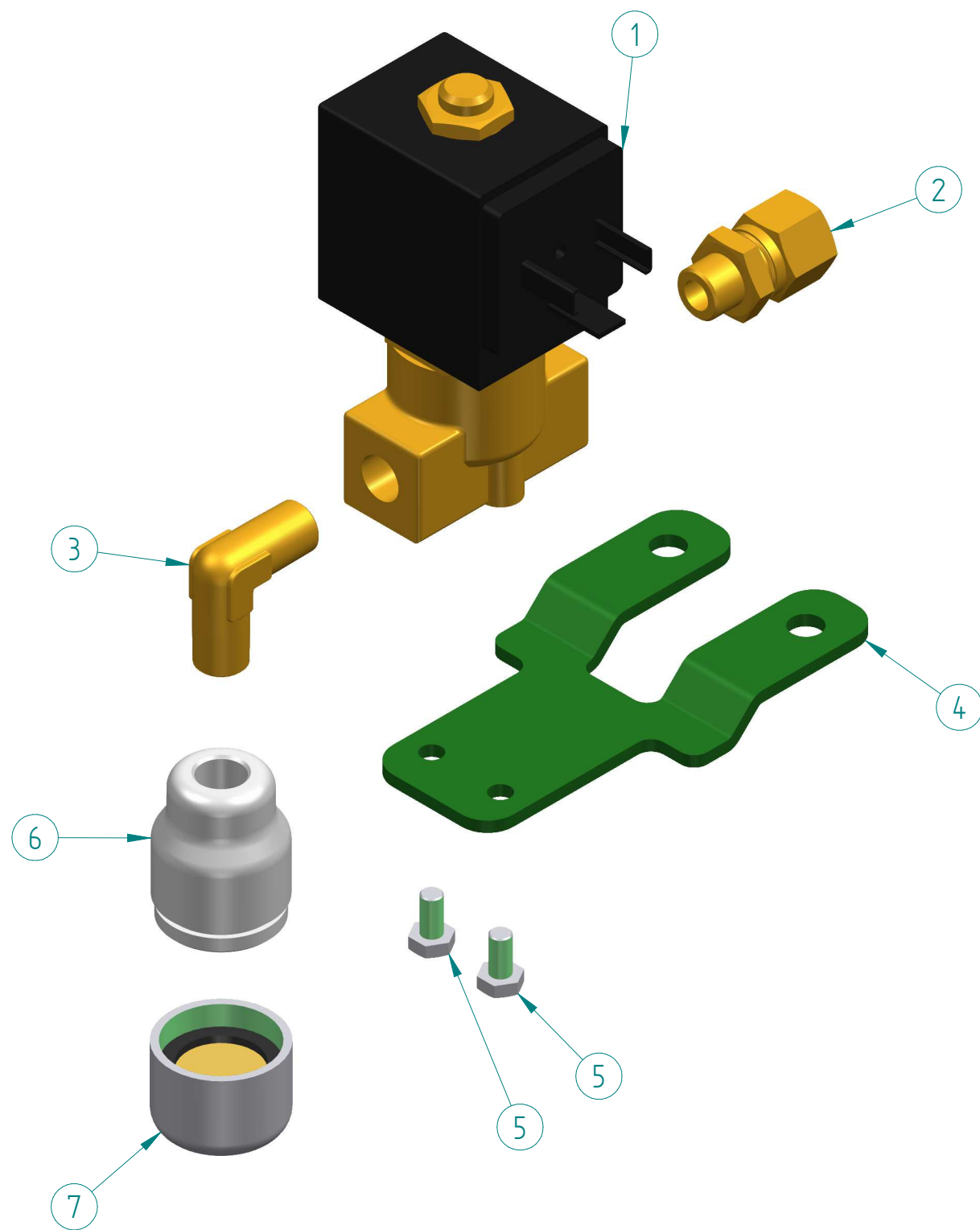
EMISSION DATE
OCTOBER 2020

NOTE:
* ALTERNATIVE TO THE REPRESENTED COMPONENT
** COMPONENT NOT SHOWN

SHEET
4

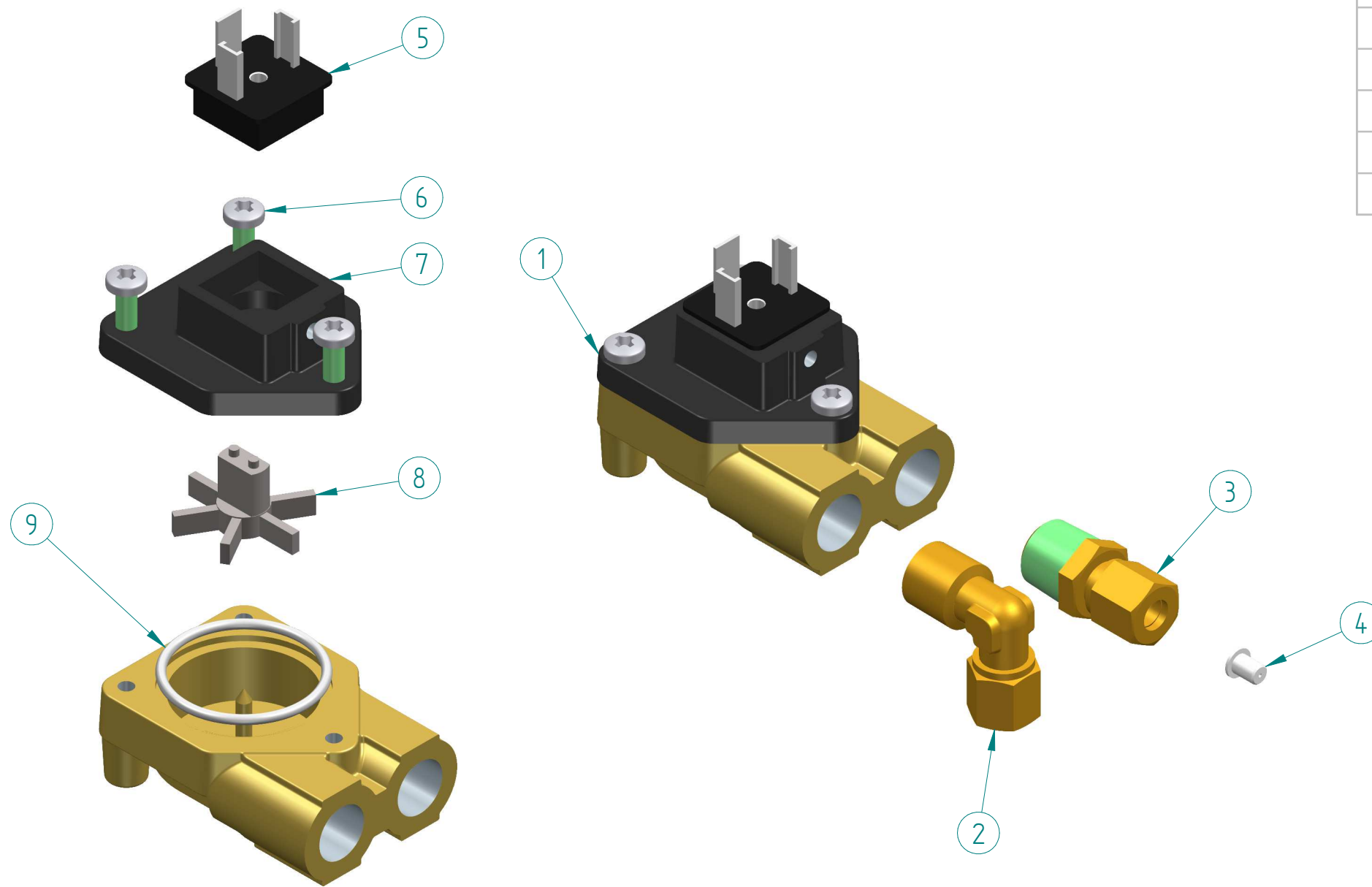


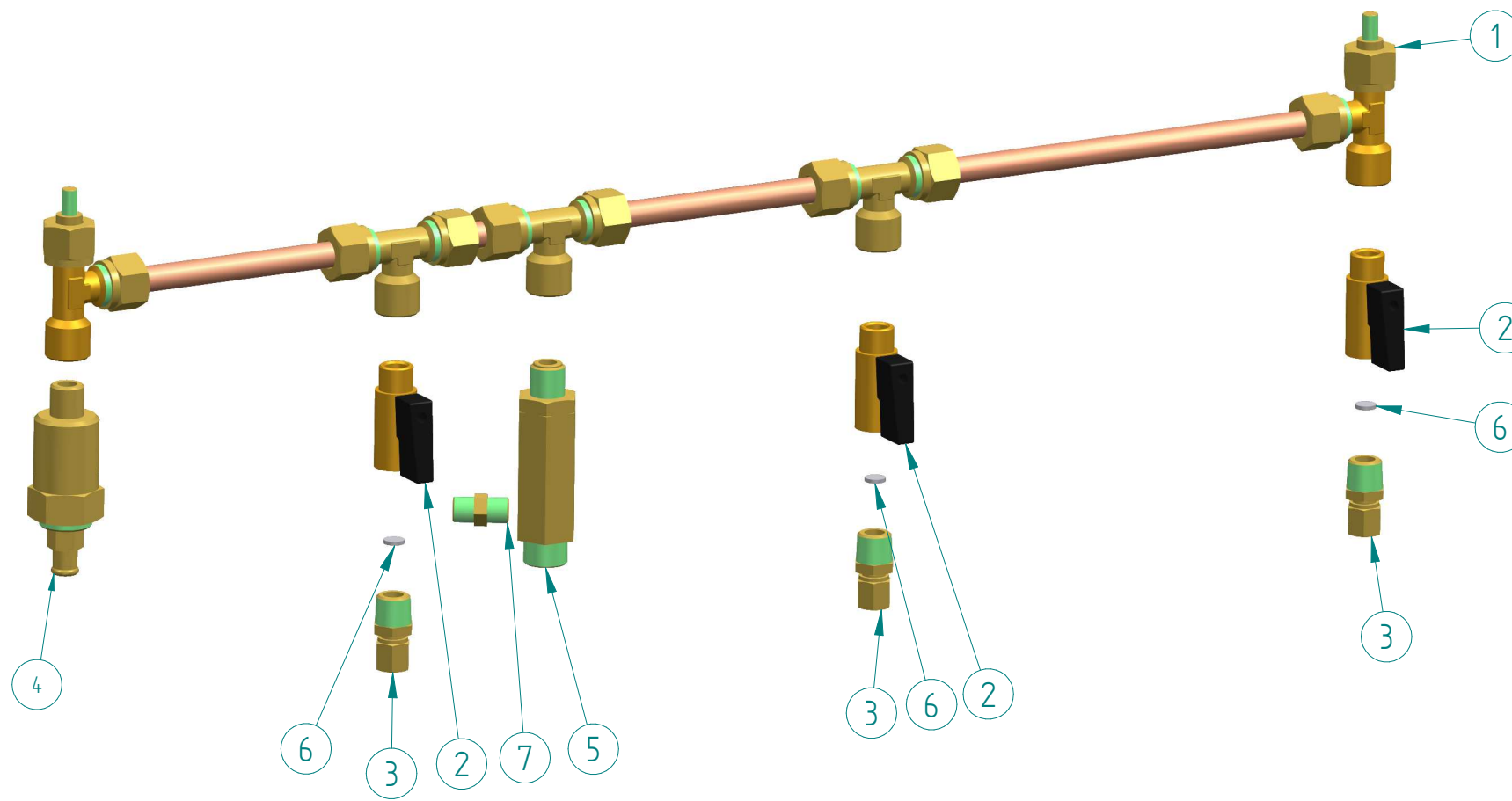
ITEM	CODE	DESCRIPTION	NOTE
	A-MC-0514ATF	COMPLETE MOTORPUMP 2GR 120W 230V 100lt	
	A-MC-0024TF *	COMPLETE MOTORPUMP 3-4GR 165W 230V 100lt	
	A-MC-0080TF	COMPLETE MOTORPUMP 165W UL/CSA	FOR MACHINE ETL
1	B-00-0220A	MOTOR 120W 230V 50/60Hz CLASS F	
1a	B-00-0208 *	MOTOR 165W 230V 50/60HZ CLASS F	
1b	B-00-0086	MOTOR 165W 220V 60Hz UL	FOR MACHINE ETL
2	B-00-0010	PUMPING UNIT COUPLING - NYLON	
3	B-00-0009	PUMPING UNIT 100L	
4	-	CLAMP	NOT ORDERABLE
5	B-00-0278A	NIPPLE 3/8" FOR PUMPING ELEMENT	
6	B-00-0011	ANTIVIBRATION 20X20 M6X10 40SH	
7	B-00-0113	FLANGED NUT M6 DIN6923	
8	B-00-00230 **	FLEX PIPE 3/8" L150 WITH "L" CONNECTION	LOAD PIPE
9	K-0200	PUMPING BYPASS KIT	
10	B-00-0292	CONDENSER 6 µF 450V	
10 a	B-00-0006	10 µF 450V CONDENSER	



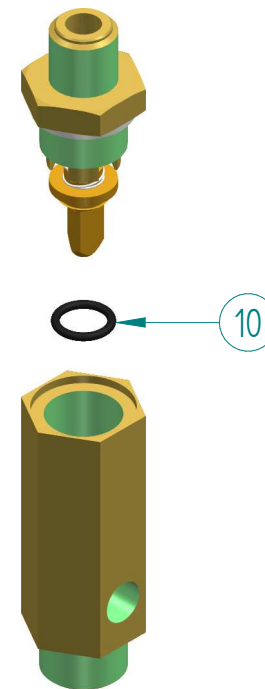
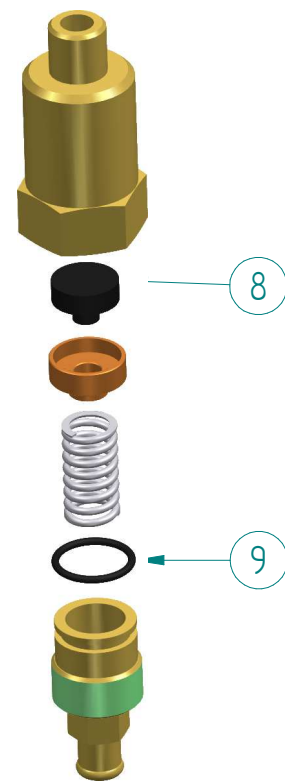
ITEM	CODE	DESCRIPTION	NOTE
	A-MC-1026	SUPPLY GROUP THE	
	A-MC-1051 *	SUPPLY GROUP THE HIGH	
	A-MC-1054 *	SUPPLY GROUP THE LONG VERSION	
1	B-00-0313	SOLENOID VALVE 2-WAY 24V D3V	
2	B-00-0101A	STRAIGHT CONNECTION 1/8" D8	
3	B-00-0021A	CONNECTION 90° 1/8" MM	
4	B-MC-1099	SUPPORT SV	
4a	B-MC-1254 *	SOLENOID VALVE SUPPORT HIGH	
5	B-00-0102	SCREW TE M4x8 DIN933 8.8 ZN	
6	B-MC-0052	TEA TERMINAL COUPLING	
7	B-MC-0076	COMPLETE WATER DRAIN TERMINAL	

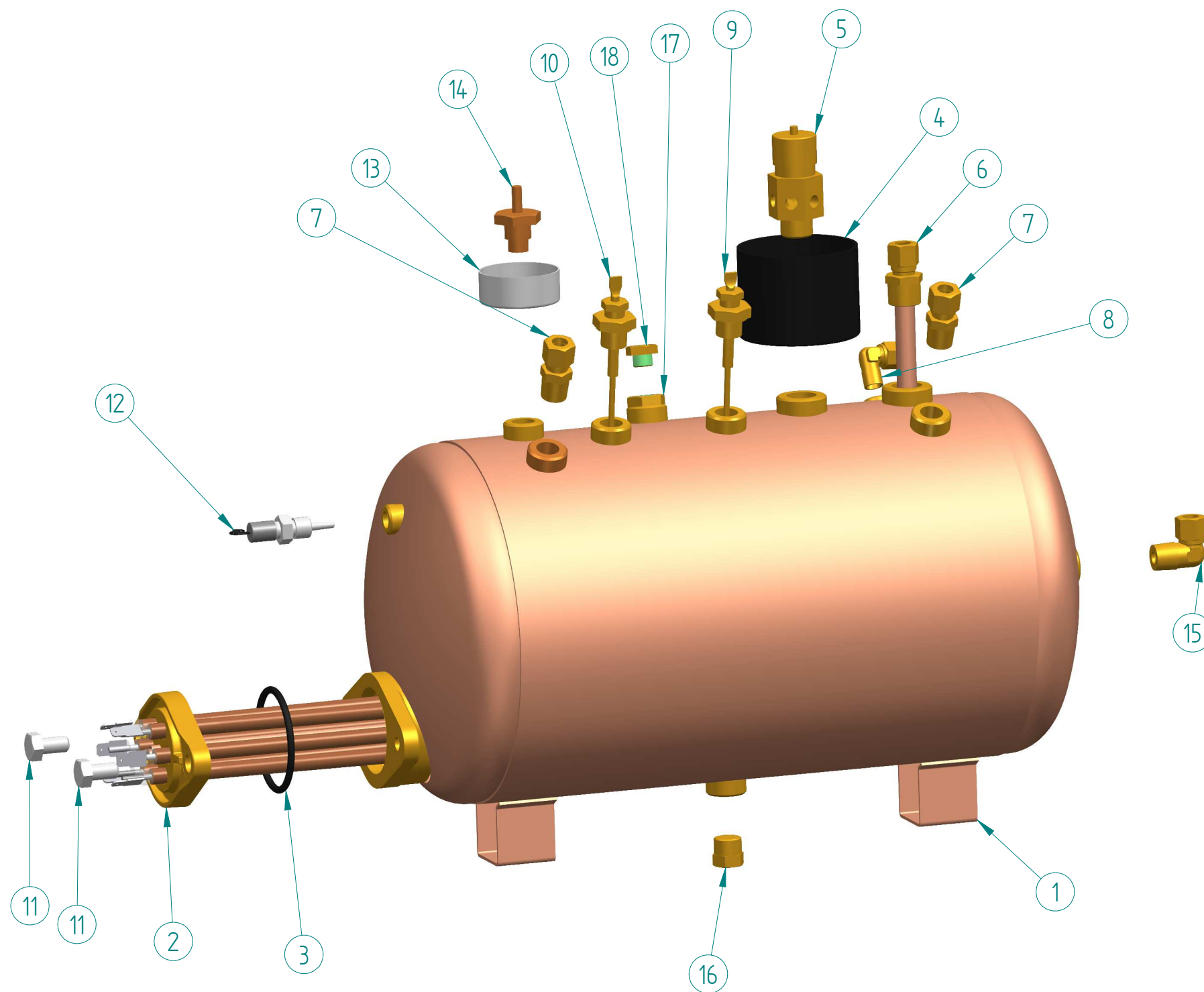
ITEM	CODE	DESCRIPTION	NOTE
	A-MC-1021	VOLUMETRIC COUNTER COMPLETE	
1	B-MC-0028	VOLUMETRIC COUNTER HOLE 1,15	
2	B-00-0014A	FITTING "L" 1/4" D6	
3	B-00-0013A	STRAIGHT CONNECTION 1/4" D6	
4	B-MC-0055	GIGLEUR 0,6	
5	B-MC-0197	VOLUMETRIC COUNTER SENSOR	
6	B-00-0184	SCREW TC+ M4x16 DIN7985 ZN	
7	B-00-0232	VOLUMETRIC COUNTER CAP	
8	B-00-0231	VOLUMETRIC COUNTER AIRSCREW	
9	B-00-0352	OR 28x2 C.V.	





ITEM	CODE	DESCRIPTION	NOTE
	A-MC-1022	COLLECTOR COMPLETE 2GR	
	A-MC-1023 *	COLLECTOR COMPLETE 3GR	
	A-MC-1024 *	COLLECTOR COMPLETE 4GR	
1	B-MC-1092	COLLECTOR 2GR	
1a	B-MC-1093 *	COLLECTOR 3GR	
1b	B-MC-1094 *	COLLECTOR 4GR	
2	B-00-0022A	BALL TAP 1/4"	
3	B-00-0013A	STRAIGHT COUPLING 1/4" D6	
4	B-MC-0120A	COMPLETE EXPANSION VALVE 1/4"	
5	B-MC-1146	COMPLETE CHECK VALVE 3/8" - 1/4"	
6	B-MC-0056	INOX FILTER D8 x 2	
7	B-00-0179A	CONICAL NIPPLE 1/8" MM	
8	B-MC-0123	SHUTTER OR	
9	B-00-0038	REGULATION OR	
10	B-00-0037	OR 107 VITON VR	





ITEM	CODE	DESCRIPTION	NOTE
	A-MC-1006	BOILER COMPLETE 7L	
	A-MC-0107 *	BOILER COMPLETE 13L	
1	B-MC-0032	BOILER 7L	
1a	B-MC-0156 *	BOILER 13L	
2	B-MC-0029	RESISTANCE BOILER 2400W-230V	
2a	B-MC-0144 *	RESISTANCE BOILER 3500W-230V	
2b	B-MC-0229 *	RESISTANCE BOILER 4500W-230V	
3	B-00-0039	OR 150 46,04x3,53	
4	B-MC-0208	SAFETY VALVE D 17 DRAIN BOX	
5	B-MC-0048	SAFETY VALVE 3/8" 1.5 BAR	
6	B-MC-0070	COMPLETE SUCTION PIPE	
7	B-00-0015A	STRAIGHT COUPLING 1/4" D8	
8	B-00-0130A	L-COUPLING 237 D6 1/8"	
9	B-MC-0049A	LEVEL PROBE L135	
10	B-MC-0158A	LEVEL PROBE L95	
11	B-00-0112	SCREW TE A2 M8X20 DIN933	
12	B-MC-1132	TEMPERATURE PROBE PT1000 1/8"	
13	B-MC-0209	DRAIN BOX VACUUM VALVE	
14	B-MC-0047	VACUUM VALVE 1/4"	
15	B-00-0177A	L-COUPLING 1/4" D8	
16	B-00-0181A	PLUG 1/4" M	
17	B-00-0171A	REDUCTION MF 1/4" - 1/8"	
18	B-00-0246A	PLUG 1/8" M	

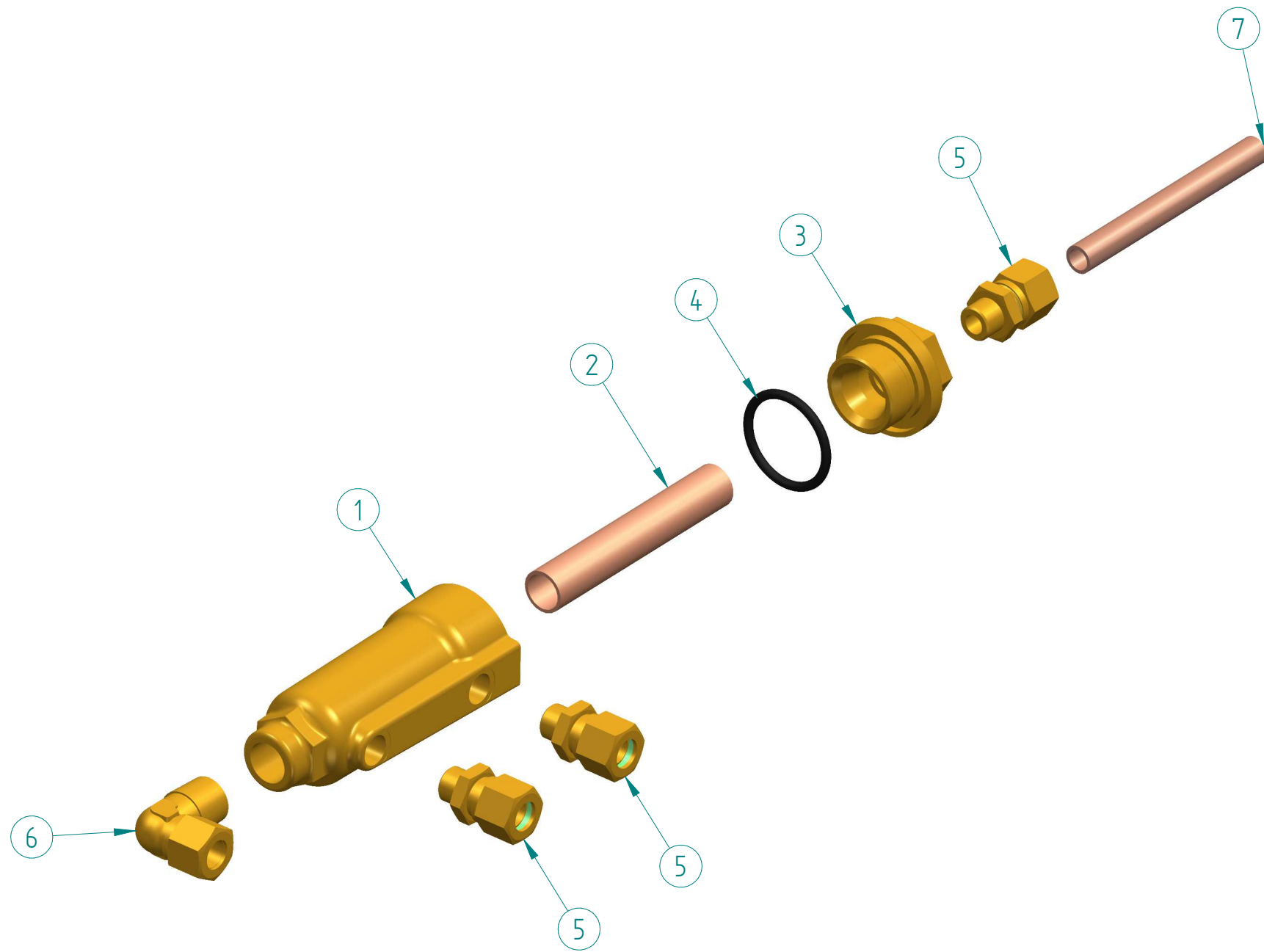
DALLA CORTE
SPARE PARTS CATALOGUE
EVO2

DESCRIPTION
COMPLETE BOILER
ASSEMBLY CODE

REV
27
EMISSION DATE
OCTOBER 2020

NOTE:
* ALTERNATIVE TO THE REPRESENTED COMPONENT
** COMPONENT NOT SHOWN

SHEET
9



ITEM	CODE	DESCRIPTION	NOTE
	A-MC-0532	COMPLETE EXCHANGER	
1	B-MC-0079	EXCHANGER BODY	
2	B-MC-0081	EXCHANGER INTERNAL PIPE	
3	B-MC-0080	EXCHANGER PLUG	
4	B-00-0047	OR 3093/BS 119 FPM-FDA/70.vd	
5	B-00-0101A	STRAIGHT COUPLING 1/8" D8	
6	B-00-0177A	L-COUPLING 1/4" D8	
7	B-MC-0588	PIPE EXCHANGER EVS	ALSO ORDER n.2 PZ B-00-0015A

DALLA CORTE
SPARE PARTS CATALOGUE
EVO2

DESCRIPTION
COMPLETE EXCHANGER

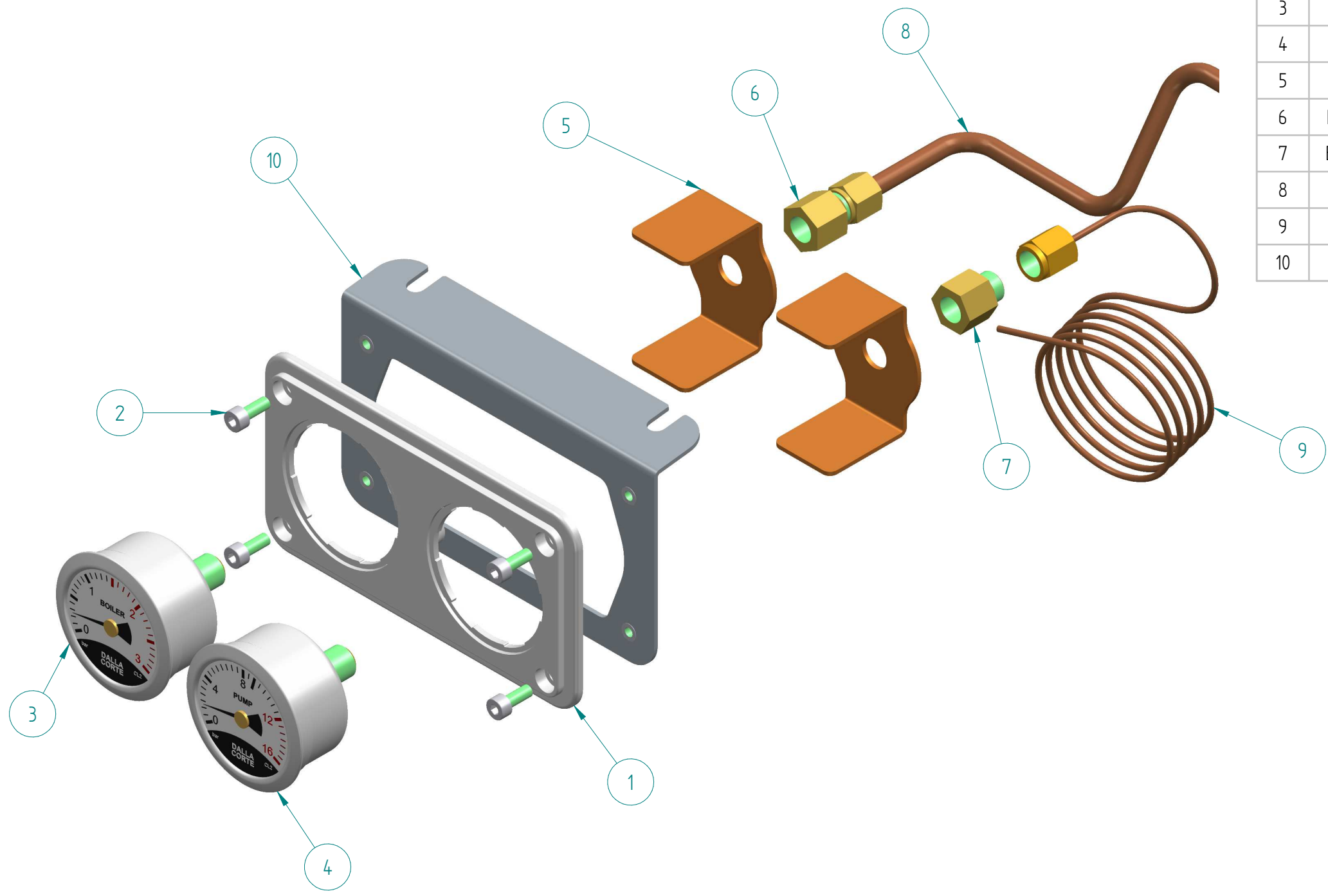
ASSEMBLY CODE
A-MC-0532

REV
27

EMISSION DATE
OCTOBER 2020

NOTE:
* ALTERNATIVE TO THE REPRESENTED COMPONENT
** COMPONENT NOT SHOWN

SHEET
10



ITEM	CODE	DESCRIPTION	NOTE
	A-MC-0511	PRESSURE GAUGE ASSEMBLY	
1	B-MC-1074-AS	PRESSURE GAUGE SUPPORT BRUSHED ALLUM	ALSO ORDER B-MC-0731
2	B-00-0110	SCREW TCEI A2 M4x10 DIN912	
3	B-MC-1101	BOILER PRESSURE GAUGE	
4	B-MC-1100	PUMP PRESSURE GAUGE	
5	B-MC-1105	PRESSURE GAUGE U-CLAMP	
6	B-00-0134A	STRAIGHT COUPLING 1/8" D6	
7	B-00-0187A	EXTENSION 1/8" MF	
8	B-MC-0585	EVO2 2-3G PR.GAUGE-BOILER PIPE	
9	B-MC-0071	WATER PRESSURE GAUGE PIPE	ALSO ORDER n.2 PZ B-00-0012A
10	B-MC-0731	EVO 2 PRESS.GAUGE BRACKET	

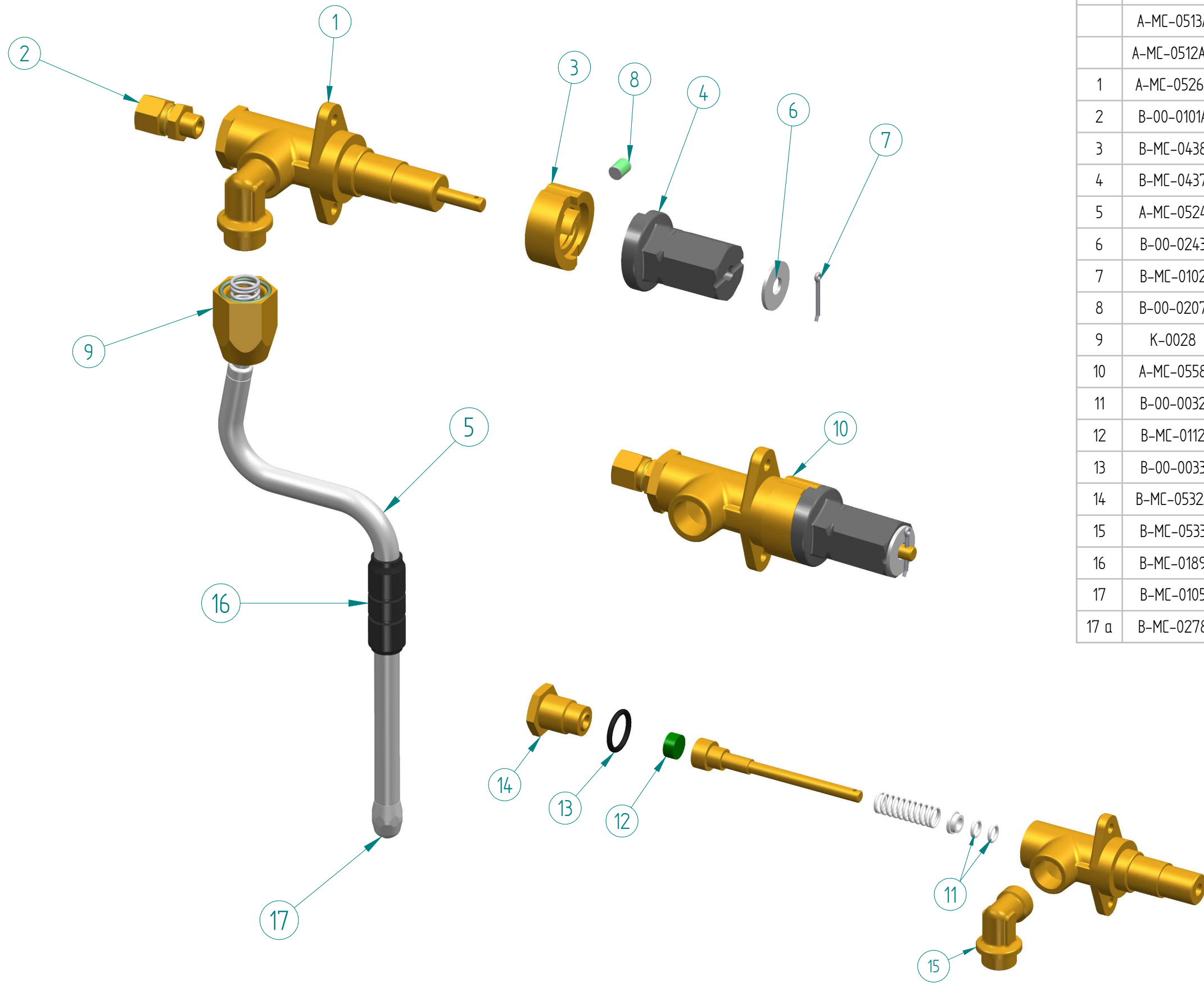
DALLA CORTE
SPARE PARTS CATALOGUE
EVO2

DESCRIPTION
PRESSURE GAUGE GROUP
ASSEMBLY CODE
A-MC-0511

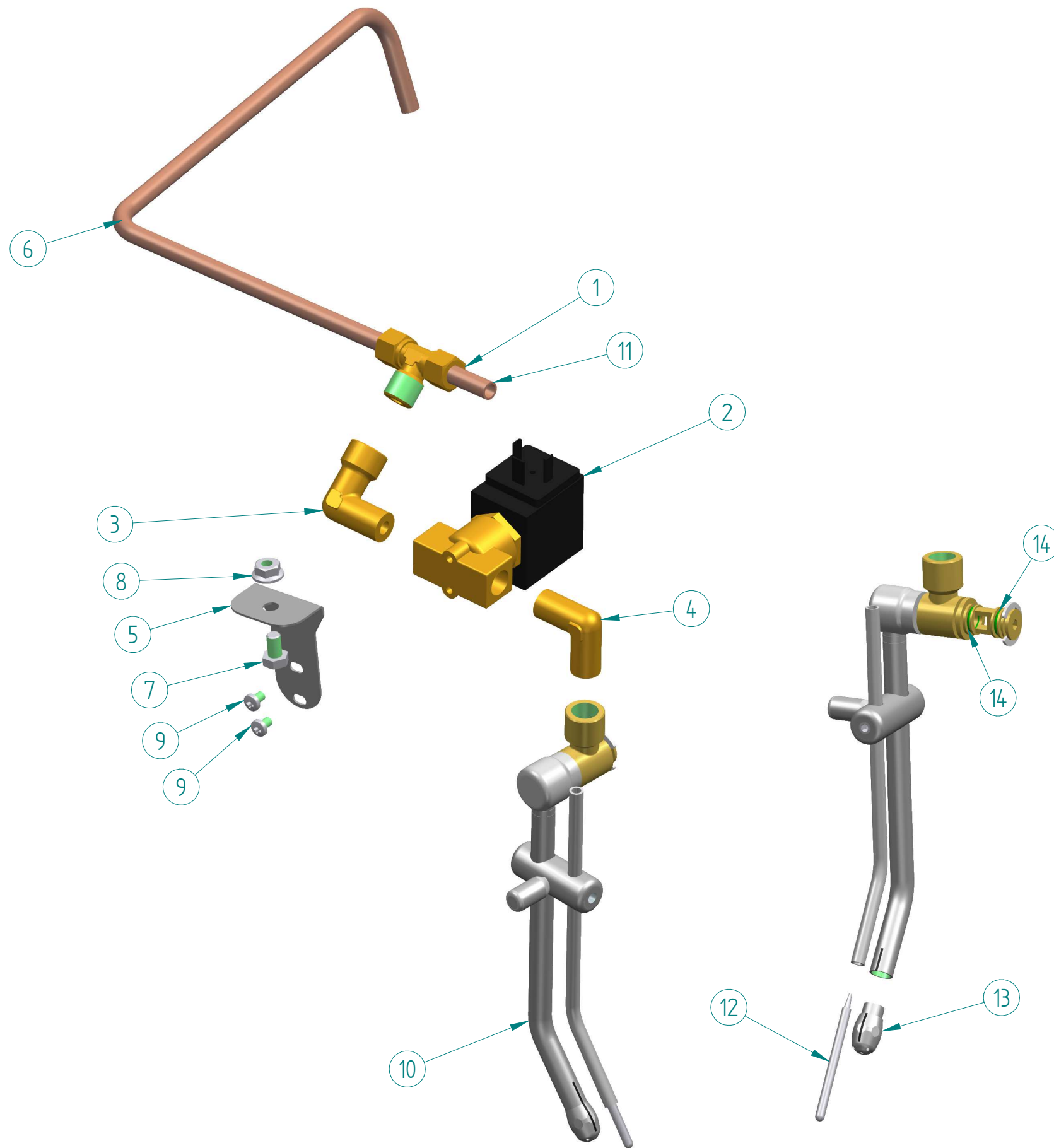
REV
27
EMISSION DATE
OCTOBER 2020

NOTE:
* ALTERNATIVE TO THE REPRESENTED COMPONENT
** COMPONENT NOT SHOWN

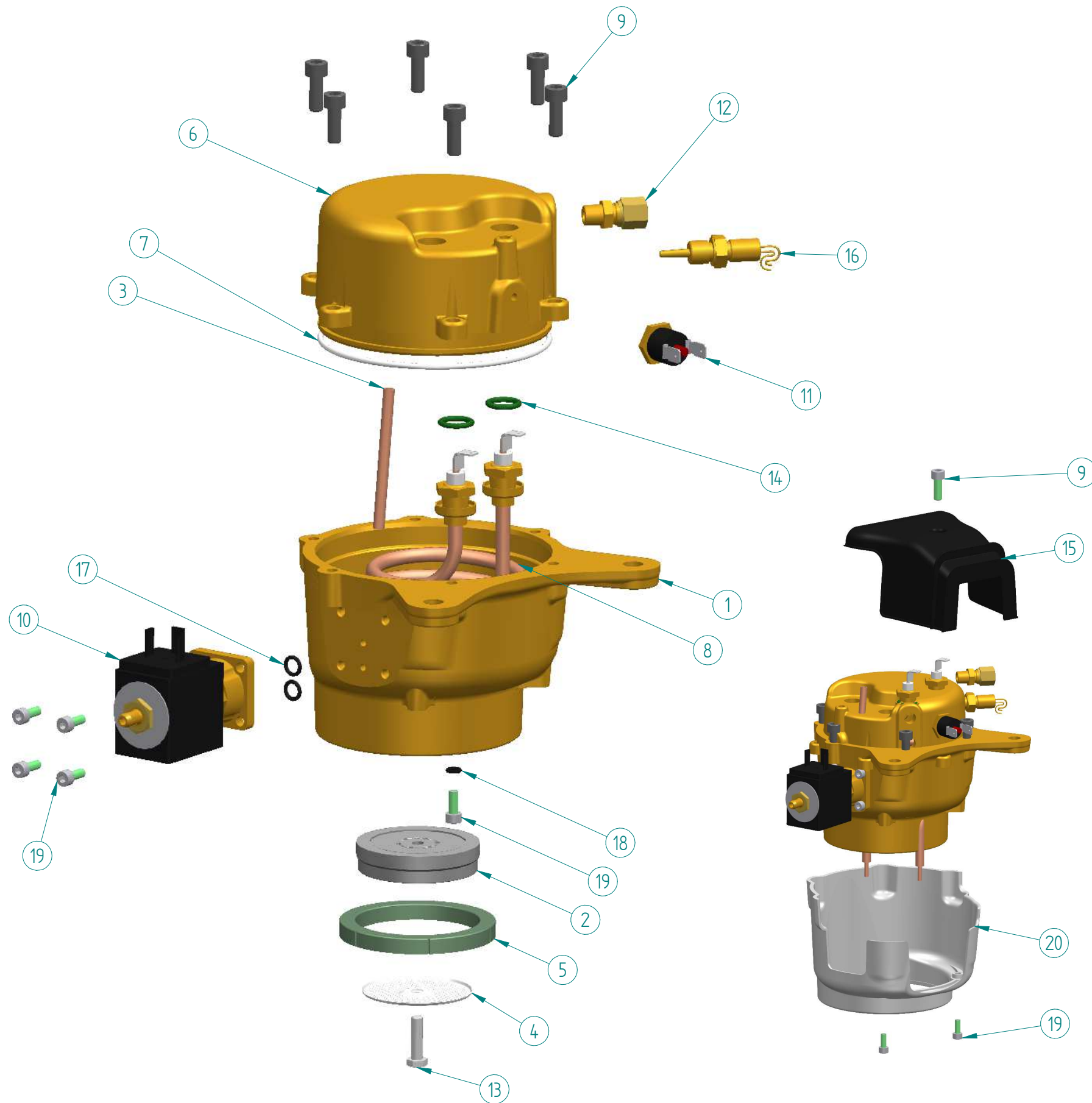
SHEET
11



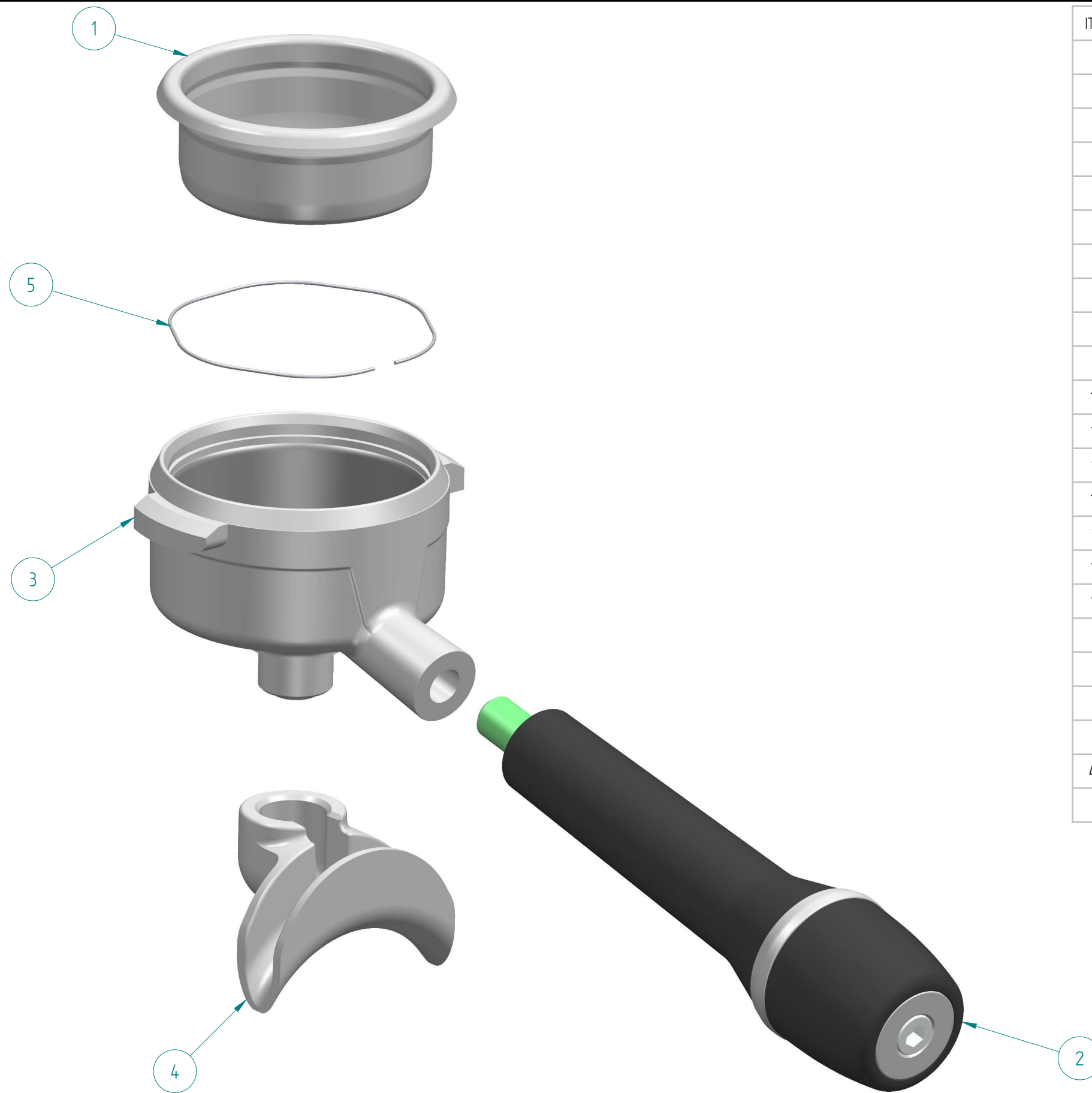
ITEM	CODE	DESCRIPTION	NOTE
	A-MC-0513A	COMPLETE STEAM TAP LEFT	
	A-MC-0512A *	COMPLETE STEAM TAP RIGHT	
1	A-MC-0526A	LEFT STEAM TAP	
2	B-00-0101A	STRAIGHT COUPLING 1/8" D8	
3	B-MC-0438	CAM LOCK COMPASS FOR STEAM TAP	
4	B-MC-0437	COMPASS CAM FOR TAP	
5	A-MC-0524	STEAM LAUNCH COMPLETE	COMPLETE WITH KIT K-0028
6	B-00-0243	WASHER A2 DIN 9021 M6	
7	B-MC-0102	STEAM TAP COTTER	
8	B-00-0207	GRUB SCREW M6x8 DIN913	
9	K-0028	STEAM JUNCTION KIT	
10	A-MC-0558	STEAM TAP WITH CAM	
11	B-00-0032	OR 5,7x1,9 EPDM	
12	B-MC-0112	OR SHUTTER	
13	B-00-0033	OR 121 VITON	
14	B-MC-0532A	TAP COUNTER BODY	
15	B-MC-0533	STEAM TAP 90° FITTING	
16	B-MC-0189	STEAM PIPE SHEATH	
17	B-MC-0105	ST.PIPE SPRAYER 3 HOLES W/ OR	
17 a	B-MC-0278	ST.PIPE SPRAYER 4 HOLES W/ OR	



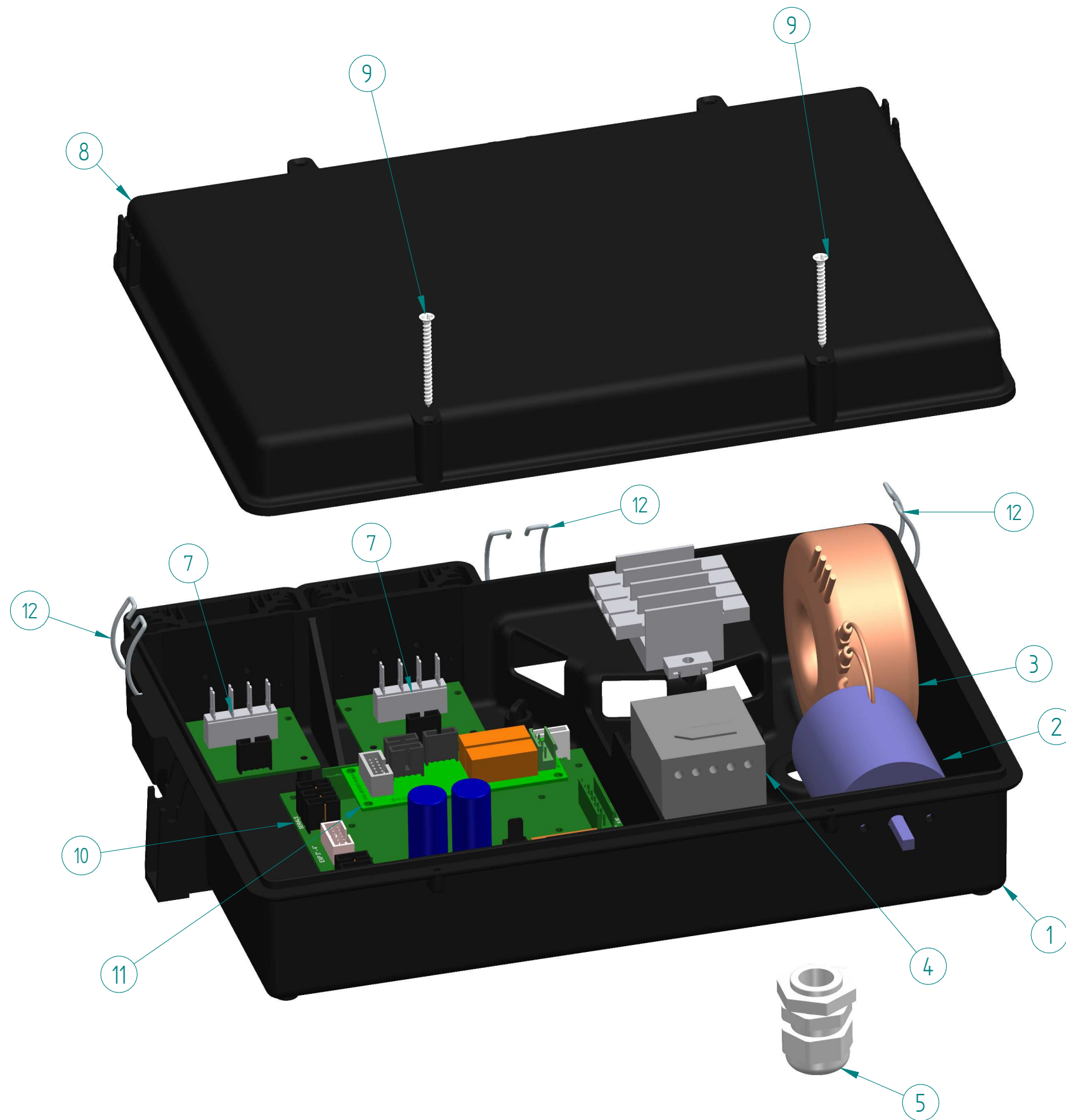
ITEM	CODE	DESCRIPTION	NOTE
	K-0066	KIT MCS EVO2	
	K-0080 *	KIT MCS EVO2 EXT	
1	B-00-0157A	T-COUPLING D8 1/4"	
2	B-00-0156	SOLENOID VALVE 2-WAY 24V	
3	B-00-0158A	L-COUPLING MF 1/4"	
4	B-00-0228A	FITTING "L" 1/4" MM	
5	B-MC-0596	SUPPORT SV MCS EVO2	
6	B-MC-0586	STEAM PIPE 1° PART MCS	ALSO ORDER n.2 PZ B-00-0015A
7	B-00-0107	SCREW TE 8.8 M6x10 DIN933	
8	B-00-0113	FLANGED NUT M6 DIN6923	
9	B-00-0111	SCREW TC+ A2 M4x6 DIN7985	
10	K-0072	KIT MCS WAND H170 EVO2 XT	
10a	K-0079 *	MCS EXT	
11	B-MC-0587	STEAM TUBE 2° PART MCS	ALSO ORDER n.2 PZ B-00-0015A
12	A-MC-1159CA	MCS COMPLETE TEMPERATURE PROBE	
13	B-MC-0495A	MCS SPRAYER MY 13 W/ OR	
14	B-00-0165	OR 106 EPDM FOR MCS	



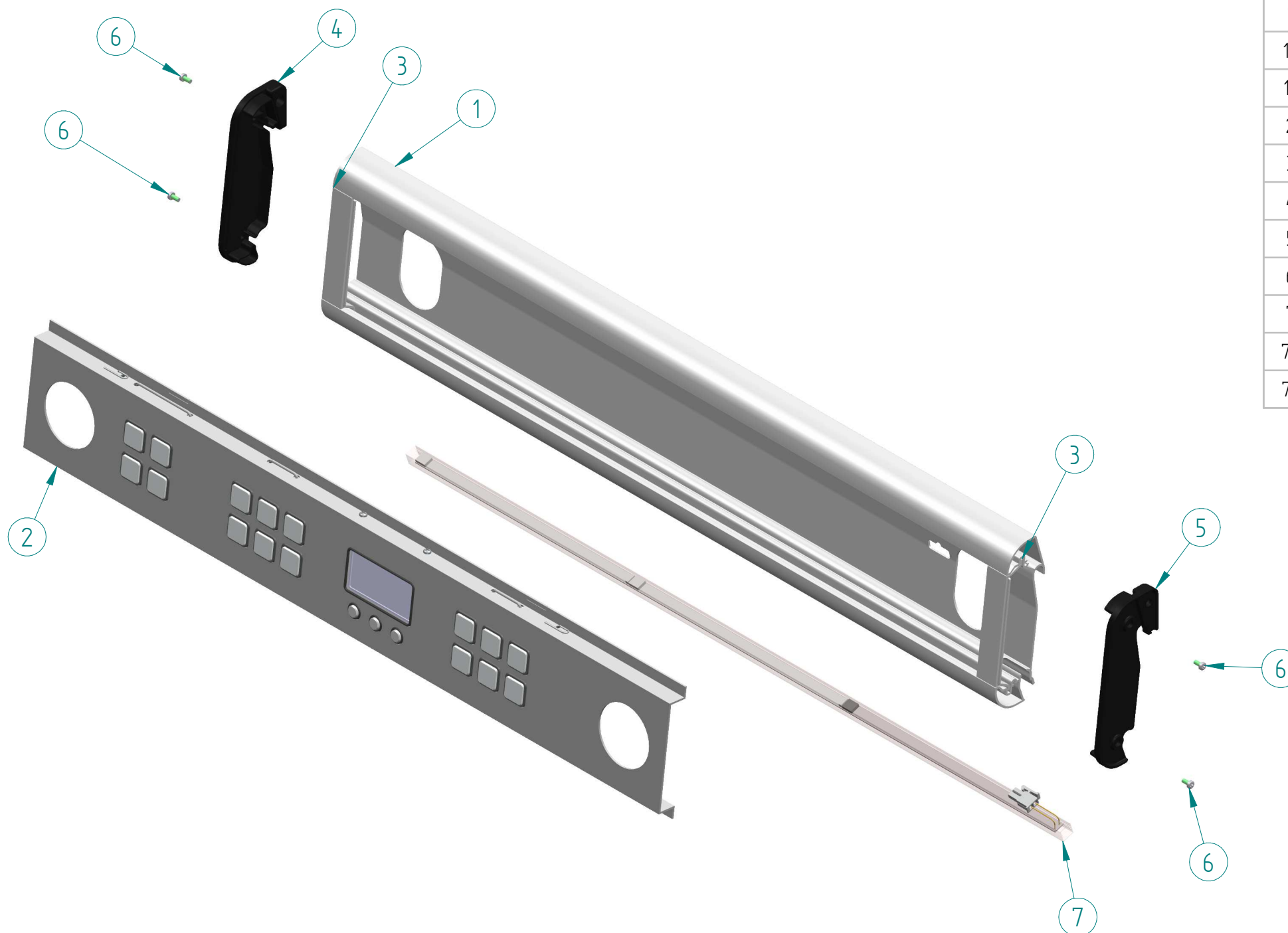
ITEM	CODE	DESCRIPTION	NOTE
	A-MC-0507GZ	ASSEMBLED RAW GROUP	
	A-MC-0507 *	CHROMED ASSEMBLED GROUP	
	A-MC-0507UL *	ASSEMBLED GROUP UL/CSA	FOR MACHINE ETL
	A-MC-0544 *	ASSEMBLED GROUP HV	
	A-MC-0544UL *	ASSEMBLED GROUP HV UL/CSA	FOR MACHINE ETL
1	B-MC-0034	GROUP BODY	
1a	B-MC-0035 *	CHROMED GROUP BODY	
2	B-MC-1617	SHOWER HOLDER H12.5 INOX	
2a	B-MC-1628 *	SHOWER HOLDER H14 INOX	
2b	B-MC-1624 *	SHOWER HOLDER H10 INOX	
3	B-MC-0091	GROUP INNER PIPE	
4	B-MC-0039	SHOWER	
4a	B-MC-0461 *	NET SHOWER	
4b	B-MC-0039A *	SHOWER NANOTECH TREATMENT	
5	B-MC-0128	GASKET H7 70/75 SH	
5a	B-MC-0468 *	GASKET H7,7 70/75 SH	
5b	B-MC-0470 *	GASKET H6.5 68X54 W/NOTCHES	
5c	B-MC-0714 *	GASKET H7 85 SH HNBR BLACK	
5d	B-MC-0269 *	GASKET DEPTH TH. 0.5	
6	B-MC-0004	GROUP HEAD	
7	B-00-0034	OR 3375/BS 154 94,92x2,62	
8	B-MC-0003	GROUP HEATING ELEMENT 230V 850W	ALSO ORDER n.2 PZ B-00-0046A
9	B-00-0109	SCREW TCEI A2 M6x16 DIN912	
10	B-00-0025	SOLENOID VALVE 3-WAY 24V	
10a	B-00-0248A *	SOLENOID VALVE 3-WAY 24V UL	FOR MACHINE ETL
11	B-00-0024	SAFETY THERMOSTAT 1F 16A	
12	B-00-0012A	STRAIGHT CONNECTION 1/8" D6	
12a	B-00-0130A *	FITTING "L" D6 1/8"	FOR HIGH MACHINE
13	B-00-0054	SCREW TE A2 M5X20 DIN933	FOR SHOWER HOLDER H12,5/14
13a	B-00-0205 *	SCREW TE M5x16 INOX	FOR SHOWER HOLDER H10
14	B-00-0046A	OR 11,30 x 2,40 FPM-FDA/70.vd	
15	B-MC-0211	GROUP HEATING ELEMENT PROTECTION	
16	B-MC-1132	TEMPERATURE PROBE PT1000 1/8"	
17	B-00-0036	OR 105 VITON	
18*	B-00-0100	OR 2015/BS 007 3,68x1,78	
19	B-00-0110	SCREW TCEI A2 M4x10 DIN912	
20	B-MC-0668	GROUP BODY COVER	



ITEM	CODE	DESCRIPTION	NOTE
	A-MC-1027C	COMPLETE 2-CUPS PORTAFILTER	
	B-MC-1171A *	PORTAFILTER NAKED D54	
	A-MC-1520-0 *	NAKED D54 PORTAFILTER OAK	
	A-MC-1520-WN *	NAKED D54 PORTAFILTER WALNUT	
	A-MC-1529A-0 *	2-CUP PORTAFILTER OAK	
	A-MC-1529A-WN *	2-CUP PORTAFILTER WALNUT	
	A-MC-1028C *	COMPLETE 1-CUP PORTAFILTER	
	A-MC-1530A-0 *	1-CUP PORTAFILTER OAK	
	A-MC-1530A-WN *	1-CUP PORTAFILTER WALNUT	
1	B-MC-0409C	2 CUP FILTER H24 (<14gr)	
1a	B-MC-0041B *	2 CUP FILTER H26 (14-15gr)	
1b	B-MC-0394C *	2 CUP FILTER H28 (15-18gr)	
1c	B-MC-0432B *	2 CUP FILTER H32 (21gr<)	
1d	B-MC-0729B *	2 CUP FILTER H30 (18-21gr)	
1f	B-MC-0224 *	BLIND FILTER	
1g	B-MC-0040B *	1 CUP FILTER H25 (7-9gr)	
1h	B-MC-0271B *	1 CUP FILTER H23 (6-7gr)	
1i	B-MC-0686B *	1 CUP FILTER H27 (9-10gr)	
2	B-MC-1111	FILTER HOLDER KNOB	
3	A-PC-0007	COATED PORTAFILTER BODY D54	
4	B-MC-0078	CHROMED 2-SHOT SPOUT	
4a	B-MC-0077 *	CHROMED 1-SHOT SPOUT	
5	B-00-0415	PORTAFILTER SPRING 1.1	



ITEM	CODE	DESCRIPTION	NOTE
	A-MC-0518	ELECTRICAL SYSTEM ASSEMBLY	
	A-MC-0517 *	ELECTRICAL SYSTEM 2GR	
	A-MC-0519 *	ELECTRICAL SYSTEM 4GR	
	A-MC-0520 *	ELECTRICAL SYSTEM SINGLE PHASE 2GR	
	A-MC-0551	ELECTRICAL SYSTEM SET 2 GR EVO 2 UL/CSA	FOR MACHINE ETL
	A-MC-0552	ELECTRICAL SYSTEM SET 3 GR EVO 2 UL/CSA	FOR MACHINE ETL
1	B-MC-0015	ELECTRIC BOX	
2*	B-00-0002	SWITCH 4P	
3	B-00-0169	TRANSFORMER 230V-24V 95VA / 12V 15VA	
4	B-00-0004	CONTACTOR 4P 25A 400V B230V	
5	B-00-0001	CABLE PRESS PG16	
6*	A-MC-0054	FASTON 4-POLE 6.3 TERM. BOARD	
7	A-MC-1039	TRIAC UNIT	
8	B-MC-0016	ELECTRIC BOX COVER	
9	B-00-0116	SELF TAPPING SCREW TPS+ 3,5x45 DIN7982	
10	B-MC-0570	MANAG. ELECTRIC BOARD	
11	B-MC-0571	3rd+4th GR EXPANSION BOARD	
12	B-MC-1175	ELECTRIC BOX CLOSING SPRING	
13	B-MC-1051 **	TRIAC AND LEVELS CABLE L110	
14	B-MC-0616 **	SERIAL CABLE FRON CPU TO FRONT PANEL L980	
15	B-MC-0598A **	ELECTRIC BOX WIRING 2GR	
16	B-MC-0598C **	BAG C WIRING 2GR	
17	B-MC-0618A **	ELECTRIC BOX WIRING 2GR UL/CSA	FOR MACHINE ETL
18	B-MC-0618C **	BAG C WIRING 2GR UL/CSA	FOR MACHINE ETL
19	B-MC-0599A **	ELECTRIC BOX WIRING 3GR	
20	B-MC-0599C **	BAG C WIRING 3GR	
21	B-MC-0619A **	ELECTRIC BOX WIRING 3GR UL/CSA	FOR MACHINE ETL
22	B-MC-0619C **	BAG C WIRING 3GR UL/CSA	FOR MACHINE ETL
23	B-MC-0600A **	ELECTRIC BOX WIRING 4GR	
24	B-MC-0600C **	BAG C WIRING 4GR	
25	B-MC-0656 **	POWER CORD 3F+N+T	
26	B-MC-0672 **	POWER CORD UL/CSA	FOR MACHINE ETL
27	B-MC-0703 **	1 PHASE CE POWER CABLE	
28	B-MC-0715 **	CABLE 4mm L80 BLACK PVC	
29	B-MC-0716 **	CABLE 4mm L140 BLACK PVC	



ITEM	CODE	DESCRIPTION	NOTE
	A-MC-0508 ...	COMPLETE UPPER FRONT 2GR	TO COMPLETE WITH COLOR CODE
	A-MC-0509 ...	COMPLETE UPPER FRONT 3GR	TO COMPLETE WITH COLOR CODE
	A-MC-0510 ...	COMPLETE UPPER FRONT 4GR	TO COMPLETE WITH COLOR CODE
1	B-MC-0520R5	CHROMED TOP PANEL 2GR	
1a	B-MC-0521A *	CHROMED TOP PANEL 3GR	
1b	B-MC-0522A *	CHROMED TOP PANEL 4GR	
2	-	COMPLETE CONTROL PANEL 2GR	SEE DETAIL SHEET 19
3	B-MC-0671	FRONT PANEL COMPLETION	
4	B-MC-0534	SET TESTED FRONT PROFILES	
5	B-MC-0534	SET TESTED FRONT PROFILES	
6	B-00-0182	SCREW TC+ M3x6 DIN7985 ZN	
7	A-MC-0529	COMPLETE LED BAR L600	
7a	A-MC-0530 *	COMPLETE BAR LED L800	
7b	A-MC-0531 *	COMPLETE BAR LED L1030	

COLOR CODE (ex. A-MC-0508K)	
BB	BLACK BB
K	GLOSSY WHITE
L	GLOSSY BLACK
N	NEBULA BLACK
Q	QUARTZ GREY
R	SPARKLING RED
W	ARTIC WHITE

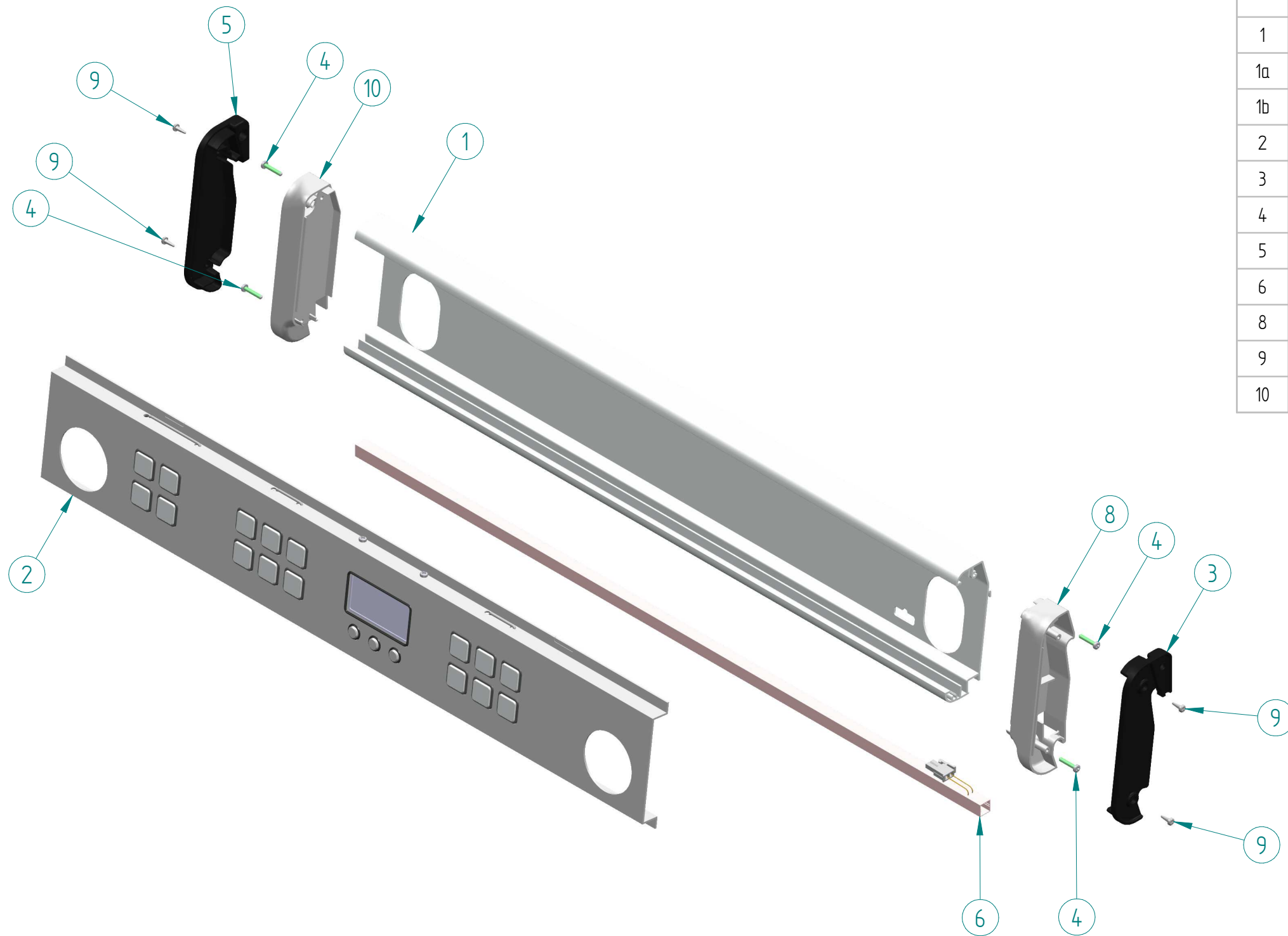
DALLA CORTE
SPARE PARTS CATALOGUE
EVO2

DESCRIPTION COMPLETE UPPER FRONT	REV 27
ASSEMBLY CODE	EMISSION DATE OCTOBER 2020

NOTE:
* ALTERNATIVE TO THE REPRESENTED COMPONENT
** COMPONENT NOT SHOWN

SHEET
17

HIGH VERSION



ITEM	CODE	DESCRIPTION	NOTE
	A-MC-0541 ...	COMPLETE UPPER FRONT 2GR	TO COMPLETE WITH COLOR CODE
	A-MC-0542 ...	COMPLETE UPPER FRONT 3GR	TO COMPLETE WITH COLOR CODE
	A-MC-0543 ...	COMPLETE UPPER FRONT 4GR	TO COMPLETE WITH COLOR CODE
1	B-MC-0641	CHROMED TOP PANEL 2GR	
1a	B-MC-0642 *	CHROMED TOP PANEL 3GR	
1b	B-MC-0652 *	CHROMED TOP PANEL 4GR	
2	-	COMPLETE CONTROL PANEL 2GR	SEE DETAIL SHEET 20
3	B-MC-0534	SET TESTED FRONT PROFILES	
4	B-00-0192	SCREW TC+ A2 M3x16 DIN7985	
5	B-MC-0534	SET TESTED FRONT PROFILES	
6	A-MC-0529	COMPLETE BAR LED L600	
8	B-MC-0640	HEAD FINISH COMPLETION	
9	B-00-0122	SCREW TSP 2,9x9,5 DIN7982 INOX	
10	B-MC-0640	HEAD FINISH COMPLETION	

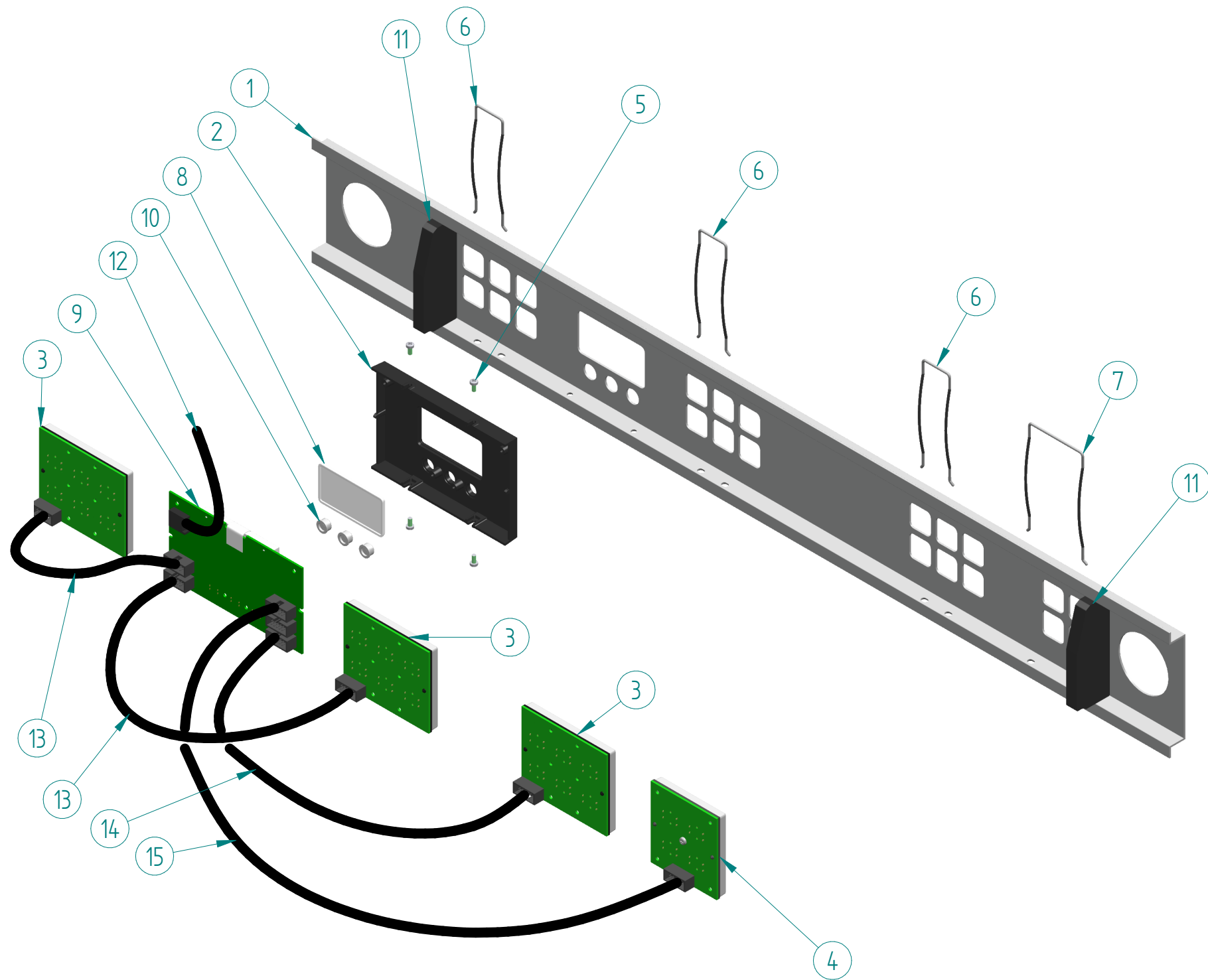
COLOR CODE (ex. A-MC-0541K)	
BB	BLACK BB
K	GLOSSY WHITE
L	GLOSSY BLACK
N	NEBULA BLACK
Q	QUARTZ GREY
R	SPARKLING RED
W	ARTIC WHITE

DALLA CORTE
SPARE PARTS CATALOGUE
EVO2

DESCRIPTION	COMPLETE UPPER FRONT HIGH VERSION
ASSEMBLY CODE	

REV	27
EMISSION DATE	OCTOBER 2020

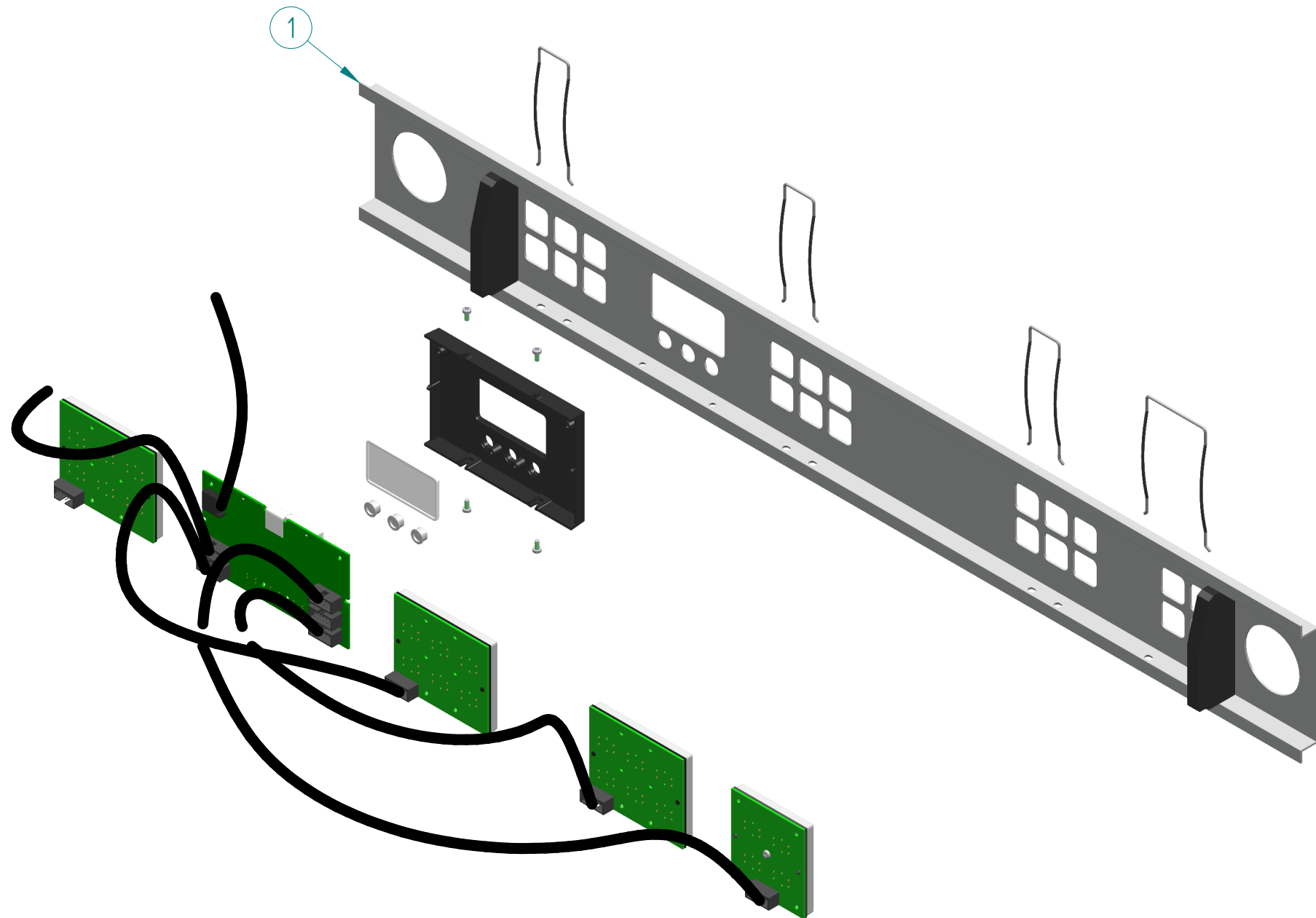
NOTE:	* ALTERNATIVE TO THE REPRESENTED COMPONENT ** COMPONENT NOT SHOWN
SHEET	18



ITEM	CODE	DESCRIPTION	NOTE
	A-MC-0505 ...	FRONTAL CONTROLS 3GR	TO COMPLETE WITH COLOR CODE
	A-MC-0504 ...	FRONTAL CONTROLS 2GR	TO COMPLETE WITH COLOR CODE
	A-MC-0506 ...	FRONTAL CONTROLS 4GR	TO COMPLETE WITH COLOR CODE
1	B-MC-0602 ...	CONTROL PANEL 3GR	TO COMPLETE WITH COLOR CODE
1a	B-MC-0601 ... *	CONTROL PANEL 2GR	TO COMPLETE WITH COLOR CODE
1b	B-MC-0603 ... *	CONTROL PANEL 4GR	TO COMPLETE WITH COLOR CODE
2	B-MC-0516	DISPLAY SUPPORT	
3	A-MC-1012	GROUP PUSH BUTTON	
4	A-MC-1013	PUSHBUTTON SERVICES	
5	B-00-0182	SCREW TC+ M3x6 DIN7985	
6	B-MC-0514	6 PUSH BUTTON SPRING	
7	B-MC-0515	4 PUSH BUTTON SPRING	
8	B-MC-0524	DISPLAY GLASS	
9	B-MC-0523	BOARD DISPLAY	
10	B-MC-1057	NAVIGATION BUTTON	
11	B-MC-0677	NEOPRENE CLOSURE	
12	B-MC-0617	SERIAL CABLE FROM FRONT PANELE TO CPU L220	
13	B-MC-0598B	WIRING BAG B 2GR	
14	B-MC-0599B	WIRING BAG B 3GR	
14a	B-MC-0600B *	WIRING BAG B 4GR	
15	B-MC-0598B	WIRING BAG B 2GR	
15a	B-MC-0599B	WIRING BAG B 3GR	
15b	B-MC-0600B	WIRING BAG B 4GR	

COLOR CODE (ex. A-MC-0505K)	
BB	BLACK BB
K	GLOSSY WHITE
L	GLOSSY BLACK
N	NEBULA BLACK
Q	QUARTZ GREY
R	SPARKLING RED
W	ARTIC WHITE

HIGH VERSION



ITEM	ITEM	DESCRIPTION	NOTE
1	B-MC-0649 ...	FRONTAL CONTROLS 3GR	TO COMPLETE WITH COLOR CODE
1a	B-MC-0648 ... *	FRONTAL CONTROLS 2GR	TO COMPLETE WITH COLOR CODE
1b	B-MC-0650 ... *	FRONTAL CONTROLS 4GR	TO COMPLETE WITH COLOR CODE

COLOR CODE (ex. B-MC-0649K)	
BB	BLACK BB
K	GLOSSY WHITE
L	GLOSSY BLACK
N	NEBULA BLACK
Q	QUARTZ GREY
R	SPARKLING RED
W	ARTIC WHITE

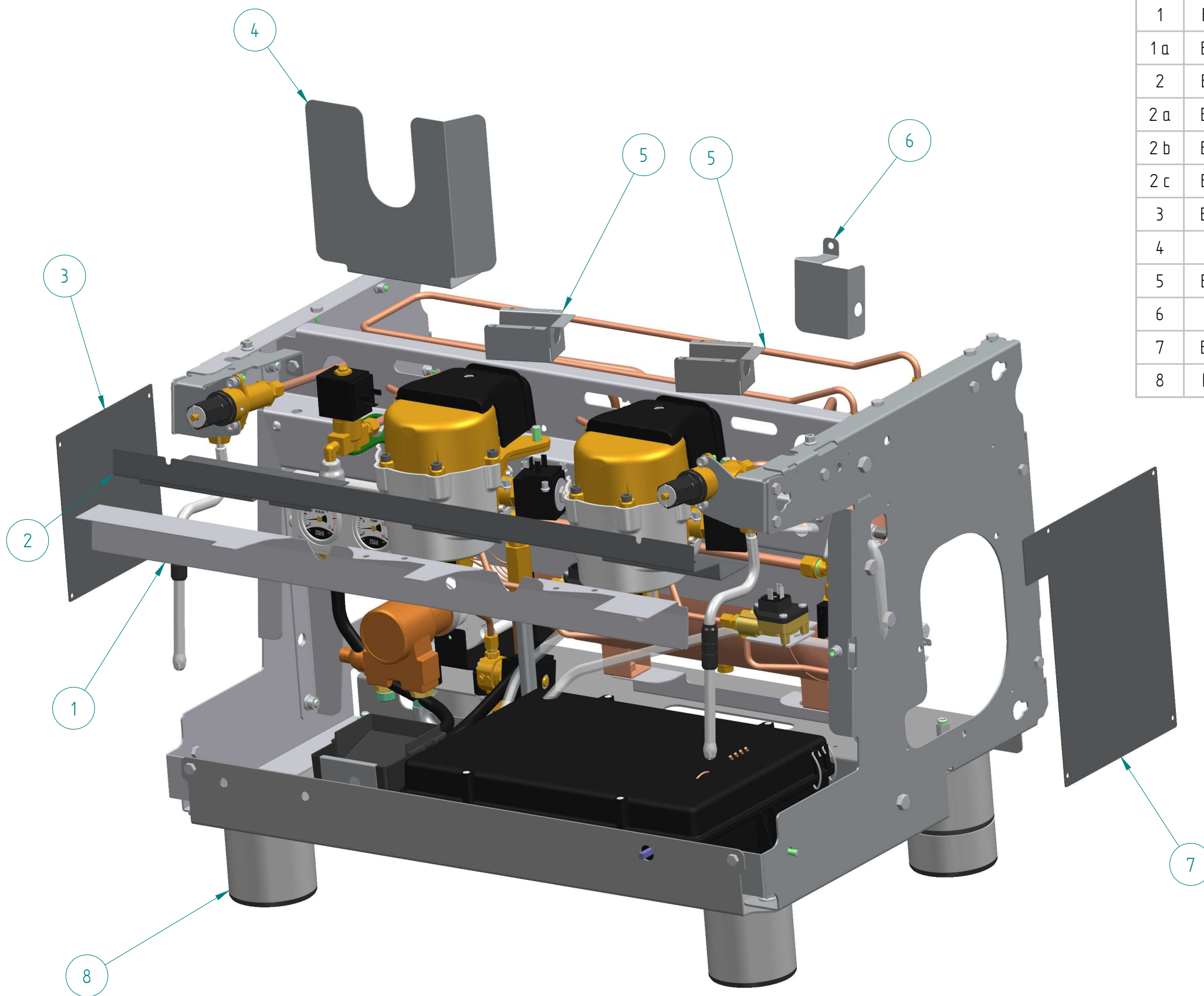
DALLA CORTE
SPARE PARTS CATALOGUE
EVO2

DESCRIPTION	FRONTAL CONTROLS HIGH VERSION
ASSEMBLY CODE	

REV	27
EMISSION DATE	OCTOBER 2020

NOTE:	* ALTERNATIVE TO THE REPRESENTED COMPONENT ** COMPONENT NOT SHOWN

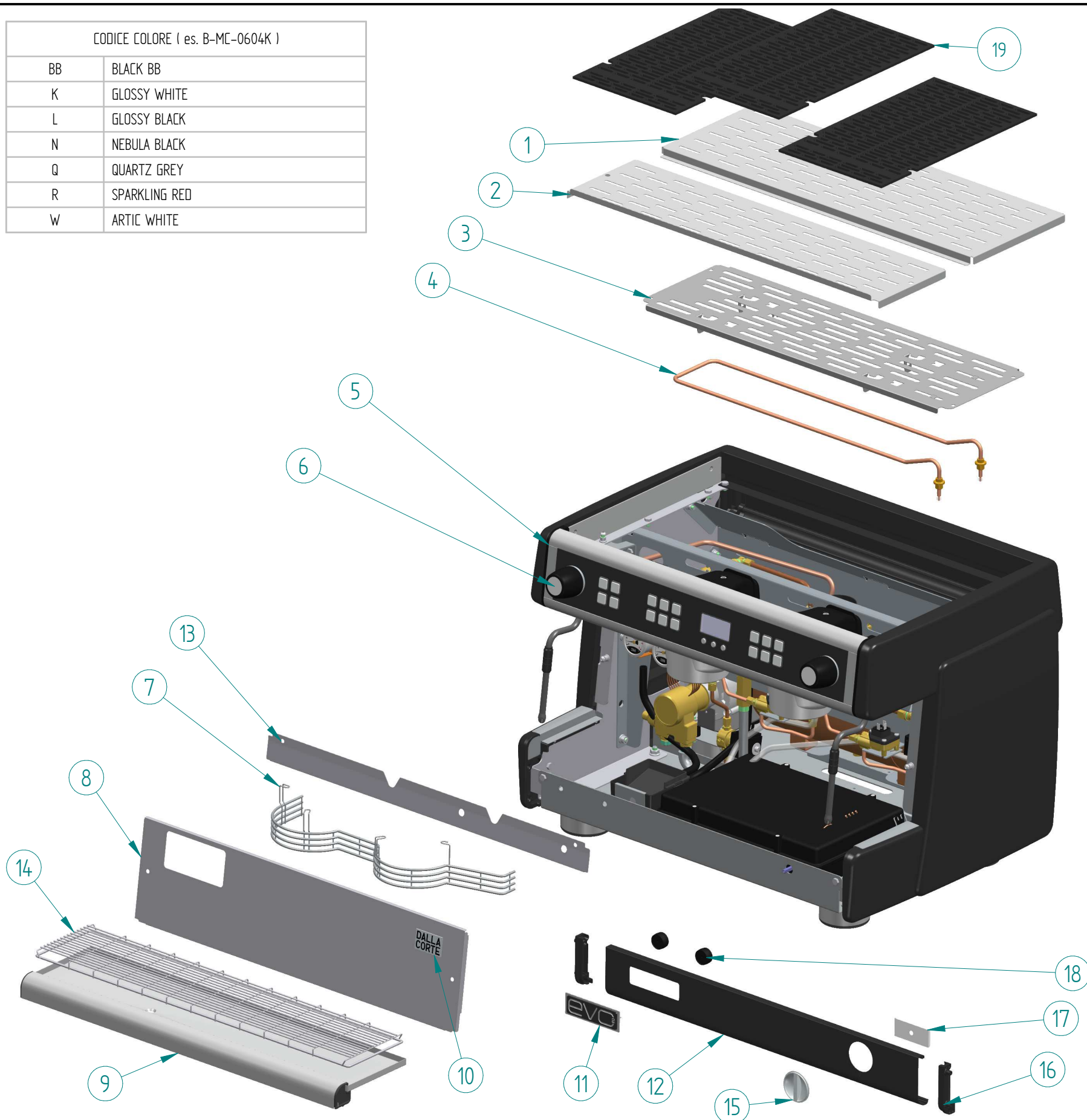
SHEET
20



ITEM	CODE	DESCRIPTION	NOTE
1	B-MC-0721	2G CROSSPIECE FINISH UL	
1 a	B-MC-0720	3G CROSSPIECE FINISH UL	
2	B-MC-0723	GROUP CARTER 2G UL	
2 a	B-MC-0722	GROUP CARTER 3G UL	
2 b	B-MC-0726	GROUP CARTER 2G H UL	FOR MACHINE ETL
2 c	B-MC-0725	GROUP CARTER 3G H UL	FOR MACHINE ETL
3	B-MC-0727	PROTECTION CARTER LEFT UL	
4	B-MC-1313	PUMP PROTECTION UL	
5	B-MC-0724	SOLENOID VALVE PROTECTION UL	
6	B-MC-1314	SIDE PROTECTION ELECTRICAL BOX	
7	B-MC-0728	PROTECTION CARTER RIGHT UL	
8	B-MC-1256	FOOT D80 H80 ALUMINIUM	

PROTEZIONI VERSIONE ETL

CODICE COLORE (es. B-MC-0604K)	
BB	BLACK BB
K	GLOSSY WHITE
L	GLOSSY BLACK
N	NEBULA BLACK
Q	QUARTZ GREY
R	SPARKLING RED
W	ARTIC WHITE



ITEM	ITEM	DESCRIPTION	NOTE
1	B-MC-0560	REAR UPPER GRILLE 2GR	
1a	B-MC-0561 *	REAR UPPER GRILLE 3GR	
1b	B-MC-0562 *	REAR UPPER GRILLE 4GR	
2	B-MC-0563	FRONT UPPER GRILLE 2GR	
2a	B-MC-0564 *	FRONT UPPER GRILLE 3GR	
2b	B-MC-0565 *	FRONT UPPER GRILLE 4GR	
3	B-MC-0566	CUP HEATER 2GR	
3a	B-MC-0567 *	CUP HEATER 3GR	
3b	B-MC-0568 *	CUP HEATER 4GR	
4	B-MC-0030	RESISTANCE CUP HEATER 100W 2GR	
4a	B-MC-0184 *	RESISTANCE CUP HEATER 150W 3GR	
4b	B-MC-0185 *	RESISTANCE CUP HEATER 200W 4GR	
5	-	COMPLETE UPPER FRONT	SEE DETAIL SHEET 17
6	A-MC-1018	COMPLETE STEAM KNOB	
7	B-MC-0557	GROUPS PROTECTION 2GR	
7a	B-MC-0558 *	GROUPS PROTECTION 3GR	
7b	B-MC-0559 *	GROUPS PROTECTION 4GR	
8	B-MC-0554B	DRAIN COVER 2GR	
8a	B-MC-0675B	DRAIN COVER 2GR BLACK BB	
8b	B-MC-0555B	DRAIN COVER 3GR	
8c	B-MC-0676B	DRAIN COVER 3GR BLACK BB	
8d	B-MC-0556B	DRAIN COVER 4GR	
9	A-MC-0521	COMPLETE DRAIN PAN 2GR	
9a	A-MC-0522 *	COMPLETE DRAIN PAN 3GR	
9b	A-MC-0523 *	COMPLETE DRAIN PAN 4GR	
10	B-MC-0698A	DALLA CORTE MEDIUM PLATE 53,5x33	
11	B-MC-0500	EVO2 PLATE 102x30	
12	B-MC-0604 ...	LOWER FRONT 2GR	TO COMPLETE WITH COLOR CODE
12a	B-MC-0605 ... *	LOWER FRONT 3GR	TO COMPLETE WITH COLOR CODE
12b	B-MC-0606 ... *	LOWER FRONT 4GR	TO COMPLETE WITH COLOR CODE
13	B-MC-0593	CROSS FINISHING 2GR	
13a	B-MC-0594 *	CROSS FINISHING 3GR	
13b	B-MC-0595 *	CROSS FINISHING 4GR	
14	B-MC-0542	DRIP PAN GRILLE 2GR	
14a	B-MC-0543 *	DRIP PAN GRILLE 3GR	
14b	B-MC-0544 *	DRIP PAN GRILLE 4GR	
15	B-MC-1077-AS	MAIN SWITCH KNOB BRUSHED ALLUM	
16	B-MC-0534	WARHEADS FRONT PROFILES SET	
17	B-MC-1136	SPRING KNOB SWITCH	
18	B-00-0069	RUBBER FERRULE H13	
19	B-MC-0717	CUP GRID SECTION	

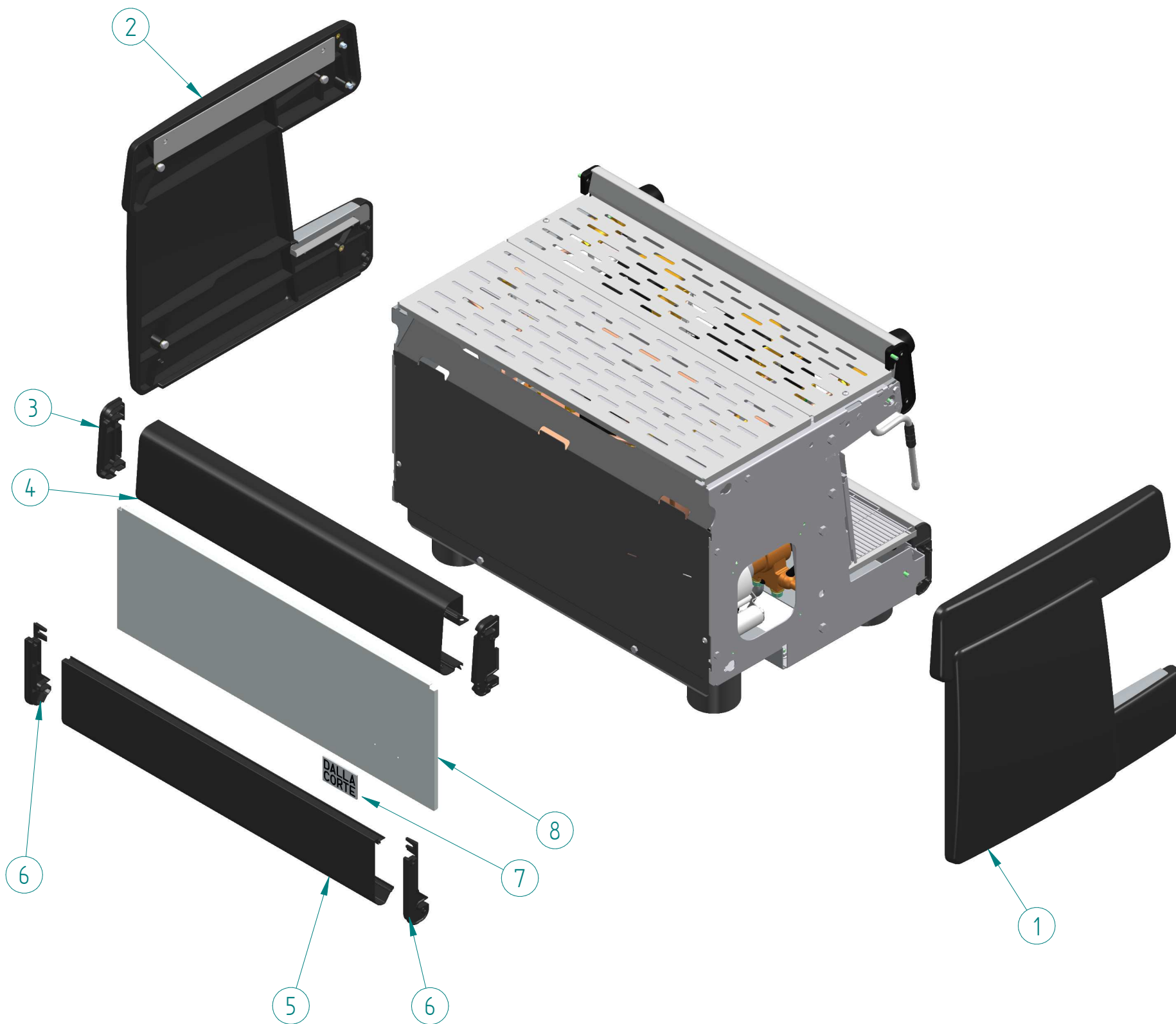
DALLA CORTE
SPARE PARTS CATALOGUE
EVO2

DESCRIPTION
FRONT BODY
ASSEMBLY CODE

REV
27
EMISSION DATE
OCTOBER 2020

NOTE:
* ALTERNATIVE TO THE REPRESENTED COMPONENT
** COMPONENT NOT SHOWN

SHEET
22



ITEM	ITEM	DESCRIPTION	NOTE
1	-	COMPLETE LEFT EXTERIOR FLANK	SEE DETAIL SHEET 27
2	-	COMPLETE RIGHT EXTERIOR FLANK	SEE DETAIL SHEET 26
3	B-MC-0535	WARHEADS REAR PROFILES SET	
4	B-MC-0610 ...	UPPER REAR PANEL 2GR	TO COMPLETE WITH COLOR CODE
4a	B-MC-0611 ... *	UPPER REAR PANEL 3GR	TO COMPLETE WITH COLOR CODE
4b	B-MC-0612 ... *	UPPER REAR PANEL 4GR	TO COMPLETE WITH COLOR CODE
5	B-MC-0607 ...	LOWER REAR PANEL 2GR	TO COMPLETE WITH COLOR CODE
5a	B-MC-0608 ... *	LOWER REAR PANEL 3GR	TO COMPLETE WITH COLOR CODE
5b	B-MC-0609 ... *	LOWER REAR PANEL 4GR	TO COMPLETE WITH COLOR CODE
6	B-MC-0535	WARHEADS REAR PROFILES SET	
7	B-MC-0698A	DALLA CORTE MEDIUM PLATE 53,5x33	
8	B-MC-0551B	CENTRAL REAR PANEL 2GR	
8a	B-MC-0673B *	CENTRAL REAR PANEL 2GR BLACK BB	
8b	B-MC-0552B *	CENTRAL REAR PANEL 3GR	
8c	B-MC-0674B *	CENTRAL REAR PANEL 3GR BLACK BB	
8d	B-MC-0553B *	CENTRAL REAR PANEL 4GR	

COLOR CODE (ex. B-MC-0526K)	
BB	BLACK BB
K	GLOSSY WHITE
L	GLOSSY BLACK
N	NEBULA BLACK
Q	QUARTZ GREY
R	SPARKLING RED
W	ARTIC WHITE

DALLA CORTE
SPARE PARTS CATALOGUE
EVO2

DESCRIPTION
REAR BODY AND SIDES

ASSEMBLY CODE

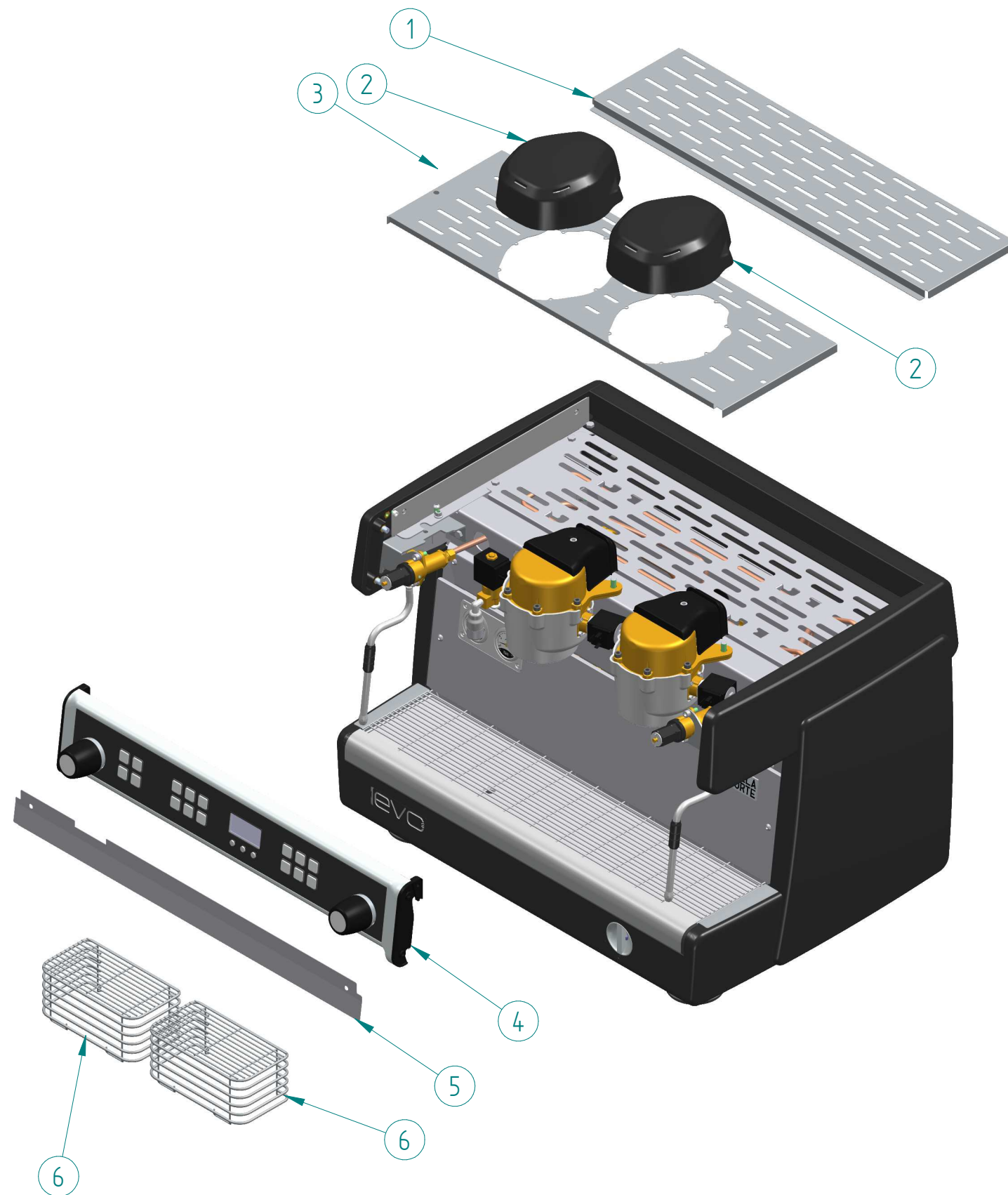
REV
27

EMISSION DATE
OCTOBER 2020

NOTE:

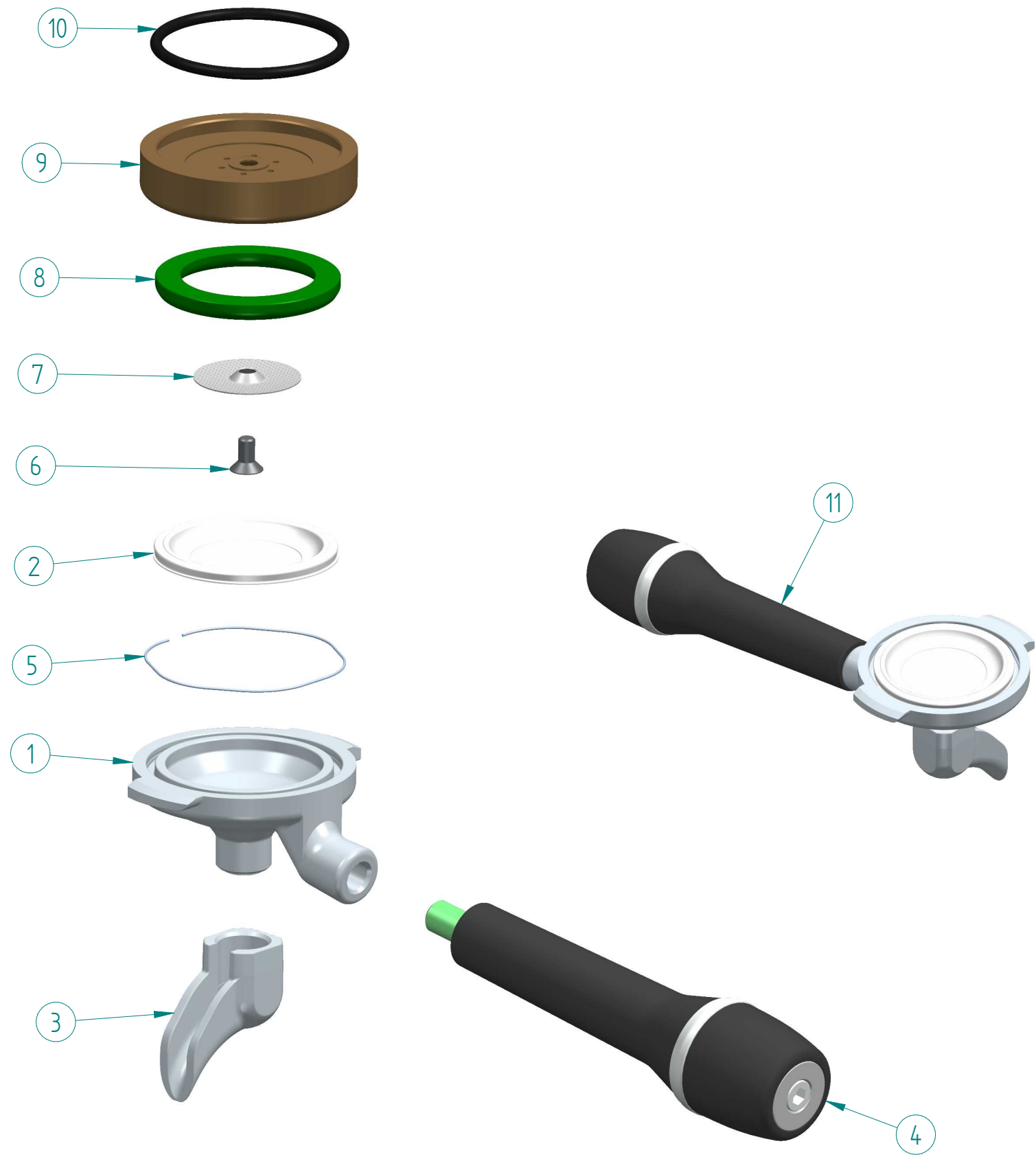
* ALTERNATIVE TO THE REPRESENTED COMPONENT
** COMPONENT NOT SHOWN

SHEET
23



ITEM	ITEM	DESCRIPTION	NOTE
1	B-MC-0637	REAR UPPER GRILLE 2GR	
1a	B-MC-0638 *	REAR UPPER GRILLE 3GR	
1b	B-MC-0661 *	REAR UPPER GRILLE 4GR	
2	B-MC-1240	GROUP COVER	
3	B-MC-0635	FRONT UPPER GRILLE 2GR	
3a	B-MC-0636 *	FRONT UPPER GRILLE 3GR	
3b	B-MC-0660 *	FRONT UPPER GRILLE 4GR	
4	-	COMPLETE UPPER FRONT HIGH VERSION	SEE DETAIL SHEET 18
5	B-MC-0633	CROSS FINISHING 2GR	
5a	B-MC-0634	CROSS FINISHING 3GR	
5b	B-MC-0659	CROSS FINISHING 4GR	
6	B-MC-1268	CUP SUPPORT GRILLE HV	

HIGH VERSION



ITEM	CODE	DESCRIPTION	NOTE
	K-0045	COMPLETE POD KIT	
1	B-MC-0236	POD FILTER HOLDER	
2	B-MC-0237	POD FILTER	
3	B-MC-0077	CHROMED 1-SHOT SPOUT	
4	B-MC-1111	FILTER HOLDER KNOB	
5	B-MC-0060	FILTER SPRING	
6	B-00-0089	SCREW TS+ M5x10	
7	B-MC-0246	SHOWER FOR POD	
8	B-MC-0238	POD GASKET	
9	B-MC-0239	CUP HOLDER FOR POD	
10	B-00-0088	OR 3212	
11	A-MC-1040	COMPLETE POD FILTER HOLDER	

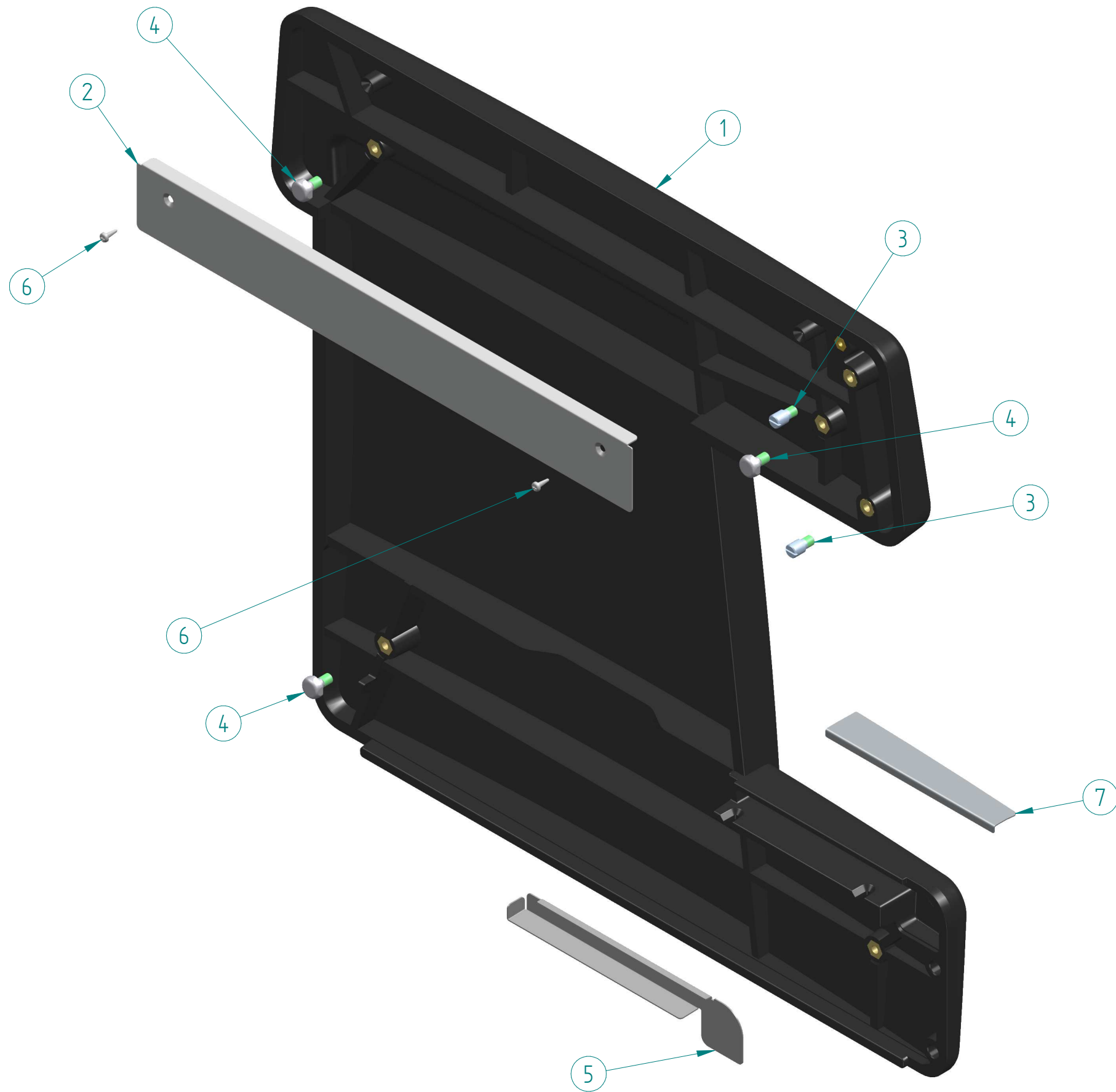
DALLA CORTE
SPARE PARTS CATALOGUE
EVO2

DESCRIPTION
POD KIT
ASSEMBLY CODE

REV
27
EMISSION DATE
OCTOBER 2020

NOTE:
* ALTERNATIVE TO THE REPRESENTED COMPONENT
** COMPONENT NOT SHOWN

SHEET
25



ITEM	CODE	DESCRIPTION	NOTE
	A-MC-0515 ...	COMPLETE RIGHT EXTERIOR FLANK	
1	B-MC-0526 ...	RIGHT EXTERIOR FLANK	
2	B-MC-0574	BATH CLOSURE	
3	B-MC-1007	FRONT SUPPORT PIN	
4	B-MC-0173	SIDE COUPLING SCREW	
5	B-MC-0572	DRIFT GUIDE RIGHT	
6	B-00-0122	SCREW TSP 2,9x9,5 DIN7982 INOX	
7	B-MC-0627	BASIN PROTECTION RIGHT FLANK	

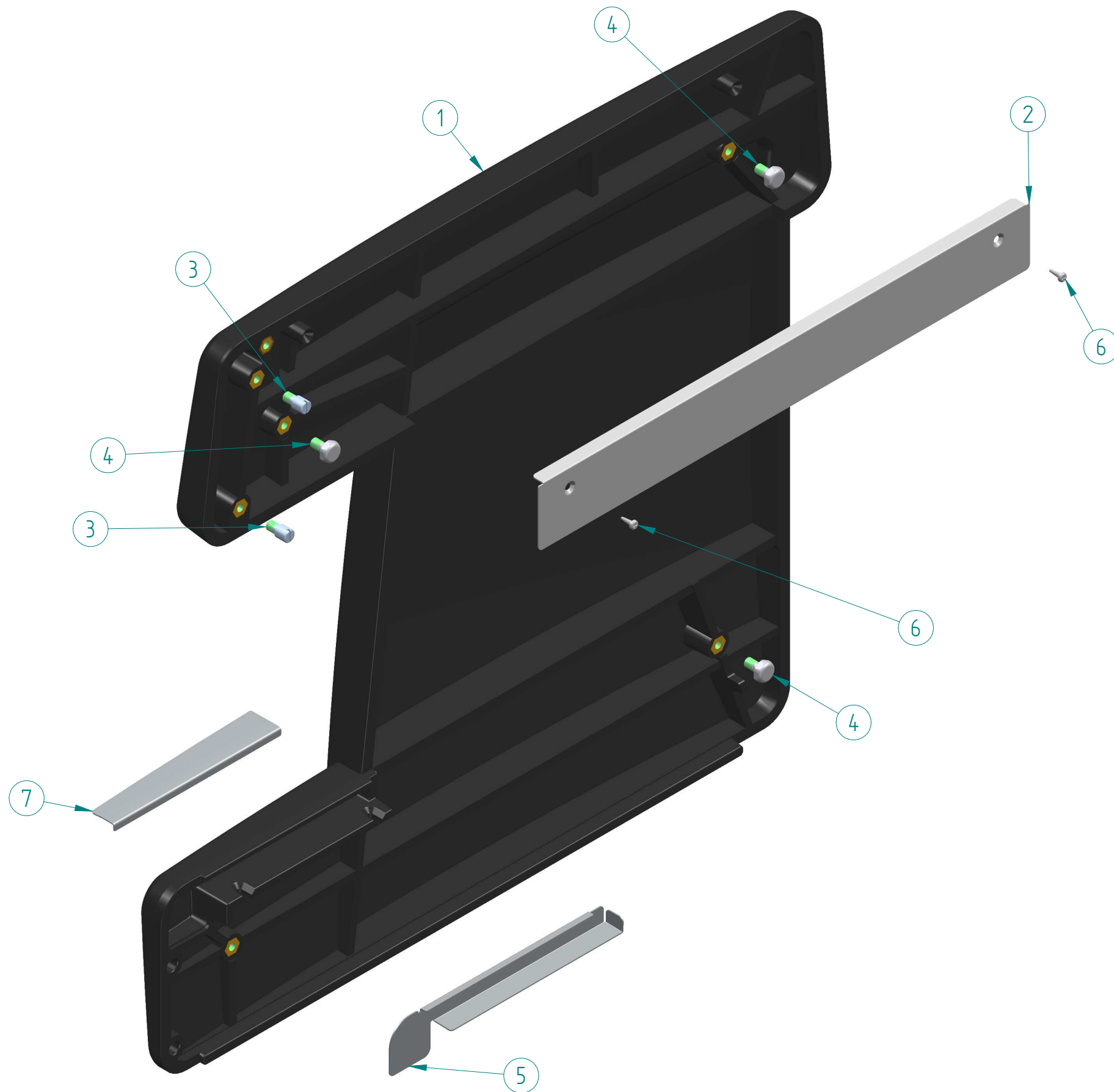
COLOR CODE (ex. B-MC-0526K)	
BB	BLACK BB
K	GLOSSY WHITE
L	GLOSSY BLACK
N	NEBULA BLACK
Q	QUARTZ GREY
R	SPARKLING RED
W	ARTIC WHITE

DALLA CORTE
SPARE PARTS CATALOGUE
EVO2

DESCRIPTION	COMPLETE RIGHT EXTERIOR FLANK
ASSEMBLY CODE	

REV	27
EMISSION DATE	OCTOBER 2020

NOTE:	* ALTERNATIVE TO THE REPRESENTED COMPONENT ** COMPONENT NOT SHOWN
SHEET	26



ITEM	CODE	DESCRIPTION	NOTE
	A-MC-0516 ...	COMPLETE LEFT EXTERIOR FLANK	
1	B-MC-0527 ...	LEFT EXTERIOR FLANK	
2	B-MC-0574	BATH CLOSURE	
3	B-MC-1007	FRONT SUPPORT PIN	
4	B-MC-0173	SIDE COUPLING SCREW	
5	B-MC-0572	DRIFT GUIDE LEFT	
6	B-00-0122	SCREW TSP 2,9x9,5 DIN7982 INOX	
7	B-MC-0628	BASIN PROTECTION LEFT FLANK	

COLOR CODE (ex. B-MC-0527K)	
BB	BLACK BB
K	GLOSSY WHITE
L	GLOSSY BLACK
N	NEBULA BLACK
Q	QUARTZ GREY
R	SPARKLING RED
W	ARTIC WHITE

DALLA CORTE
SPARE PARTS CATALOGUE
EVO2

DESCRIPTION COMPLETE LEFT EXTERIOR FLANK	REV 27
ASSEMBLY CODE	EMISSION DATE OCTOBER 2020

NOTE:
* ALTERNATIVE TO THE REPRESENTED COMPONENT
** COMPONENT NOT SHOWN

SHEET
27

ACCESSORIES



B-MC-0194

BRUSH CLEANING
SHOWERS



A-MC-1046

GROUP HANDLE SCASE
DEVISE



1-PC-083

TAMPING MAT



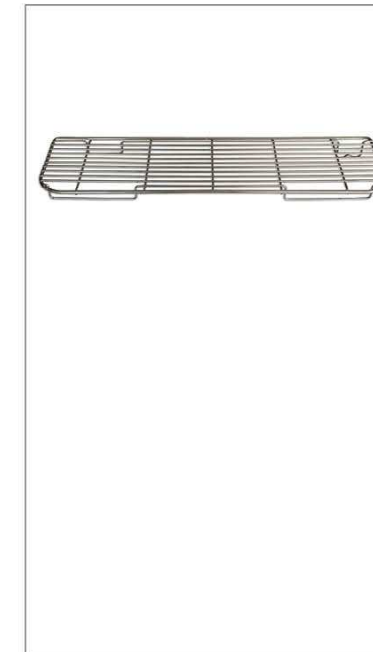
B-MC-0225

KEY FOR SHOWER SCREW



K-0073

EVO2 SPARE PARTS KIT



B-MC-1173

2 GROUPS RAISED LEVEL
DRIP TRAY GRILL



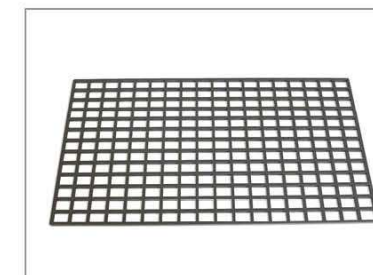
B-MC-0478A

STAINLESS STEEL
TAMPER D 54,5



B-00-0045

BLACK SPIRAL DRAIN
PIPE (MT)



B-MC-1174

3 GROUPS RAISED LEVEL
DRIP TRAY GRILL



B-MC-0404

GROUP CLEANER BOX 120
TABLETS



B-00-0029

FLEX WATER PIPE 3/8" L70



B-MC-0240

PLASTIC CUPS REST GRILL



B-MC-1172

DC PRO & EVO2
PROGRAMMING USB KEY
(With connector only for evo2)



B-00-0030

FLEX WATER PIPE 3/8" L150
WITH 1 PIPE-SHAPED
CONNECTION

**DALLA
CORTE**

B-MC-0666

2 GROUPS RAISED
TOP GRILL

B-MC-0667

3 GROUPS RAISED
TOP GRILL