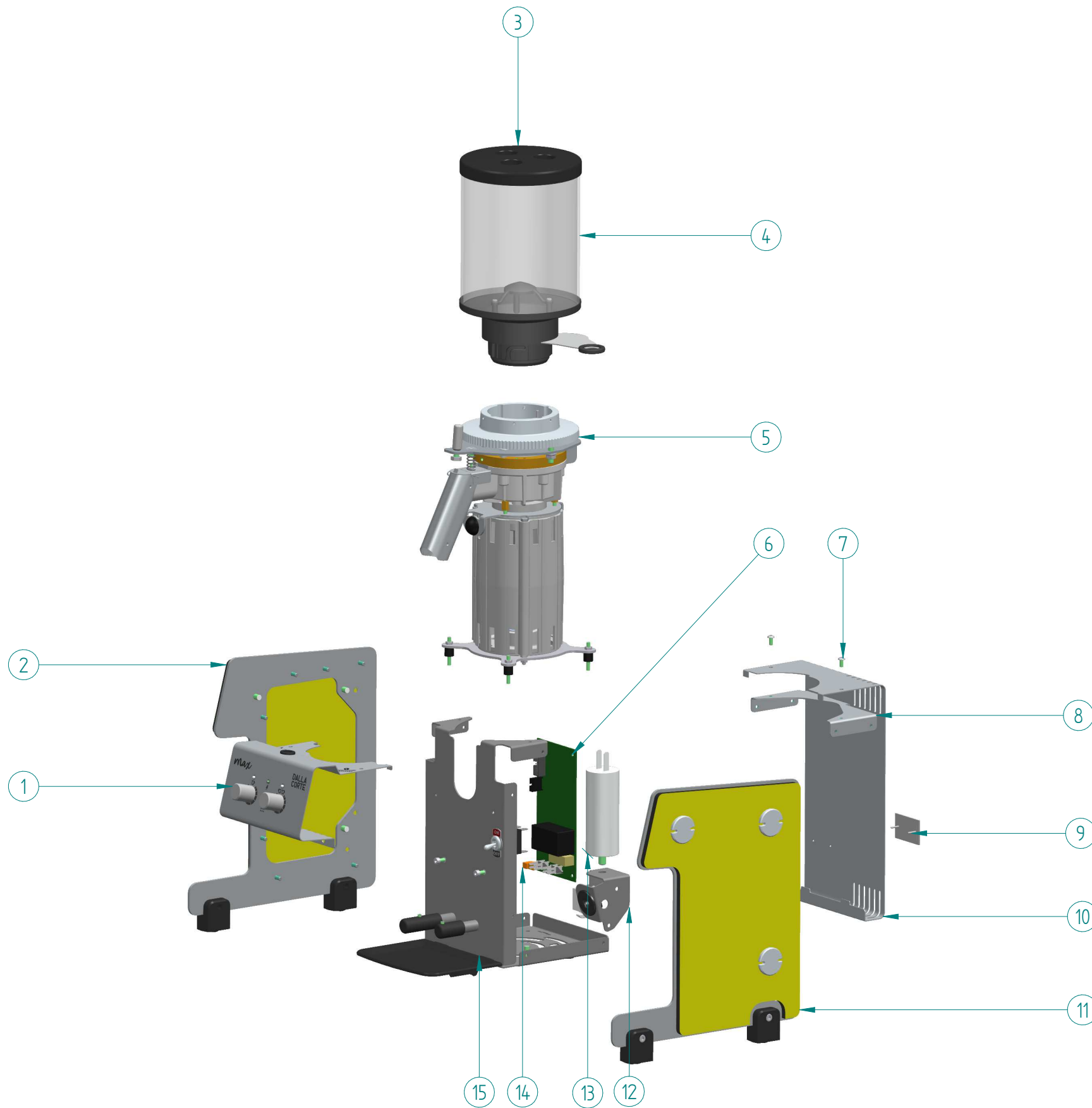


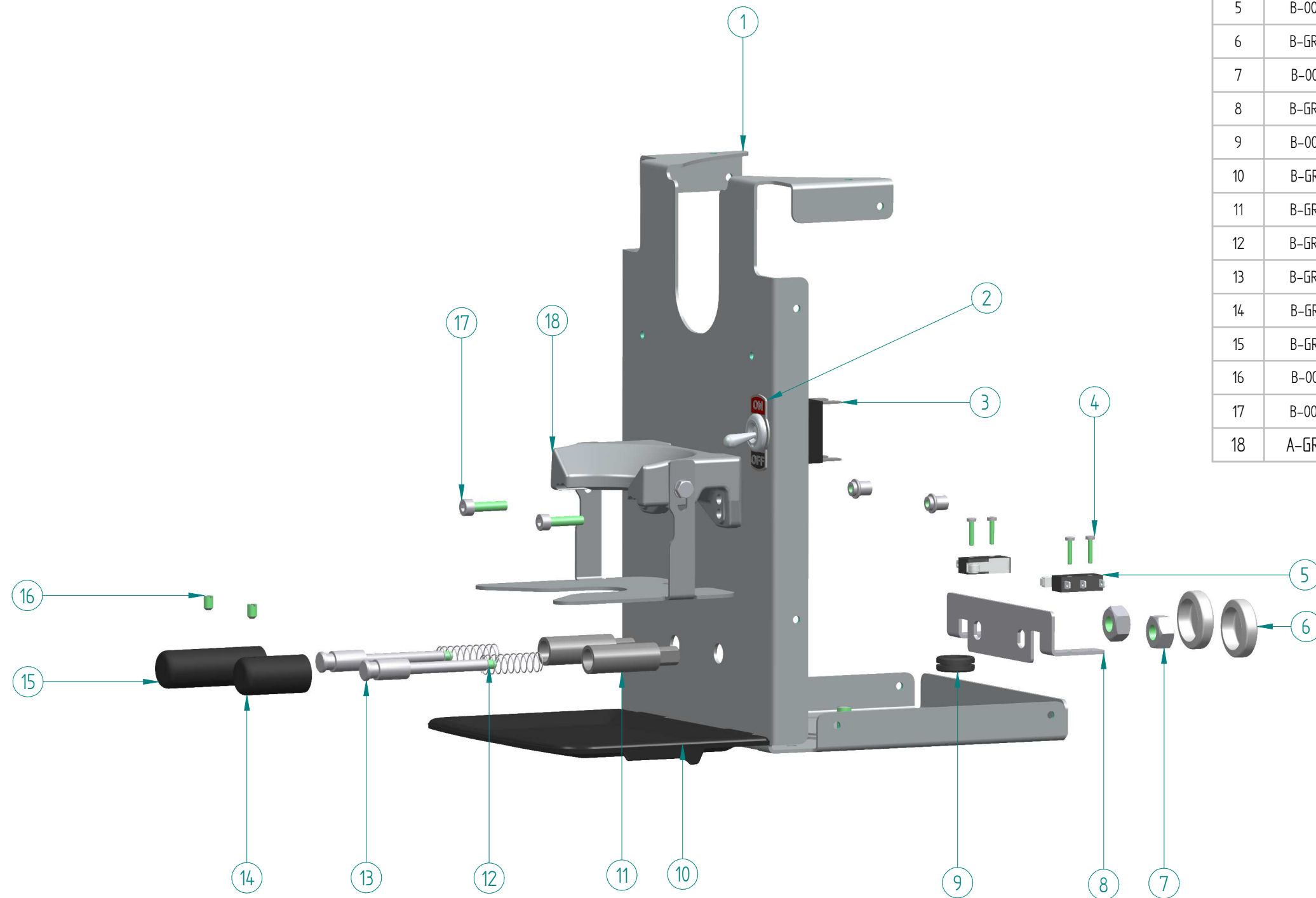
DALLA
CORTE

SPARE PARTS CATALOGUE

max

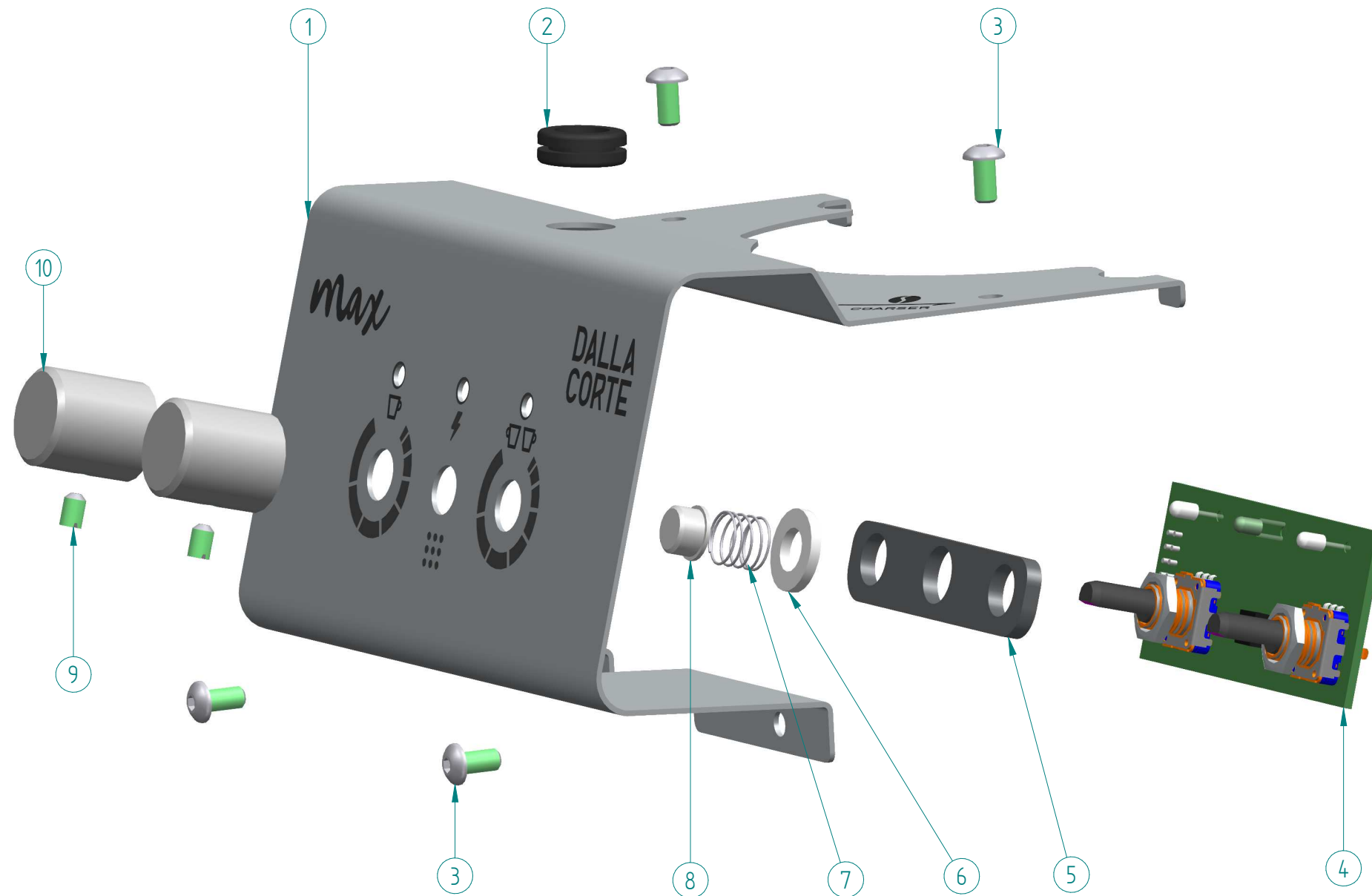


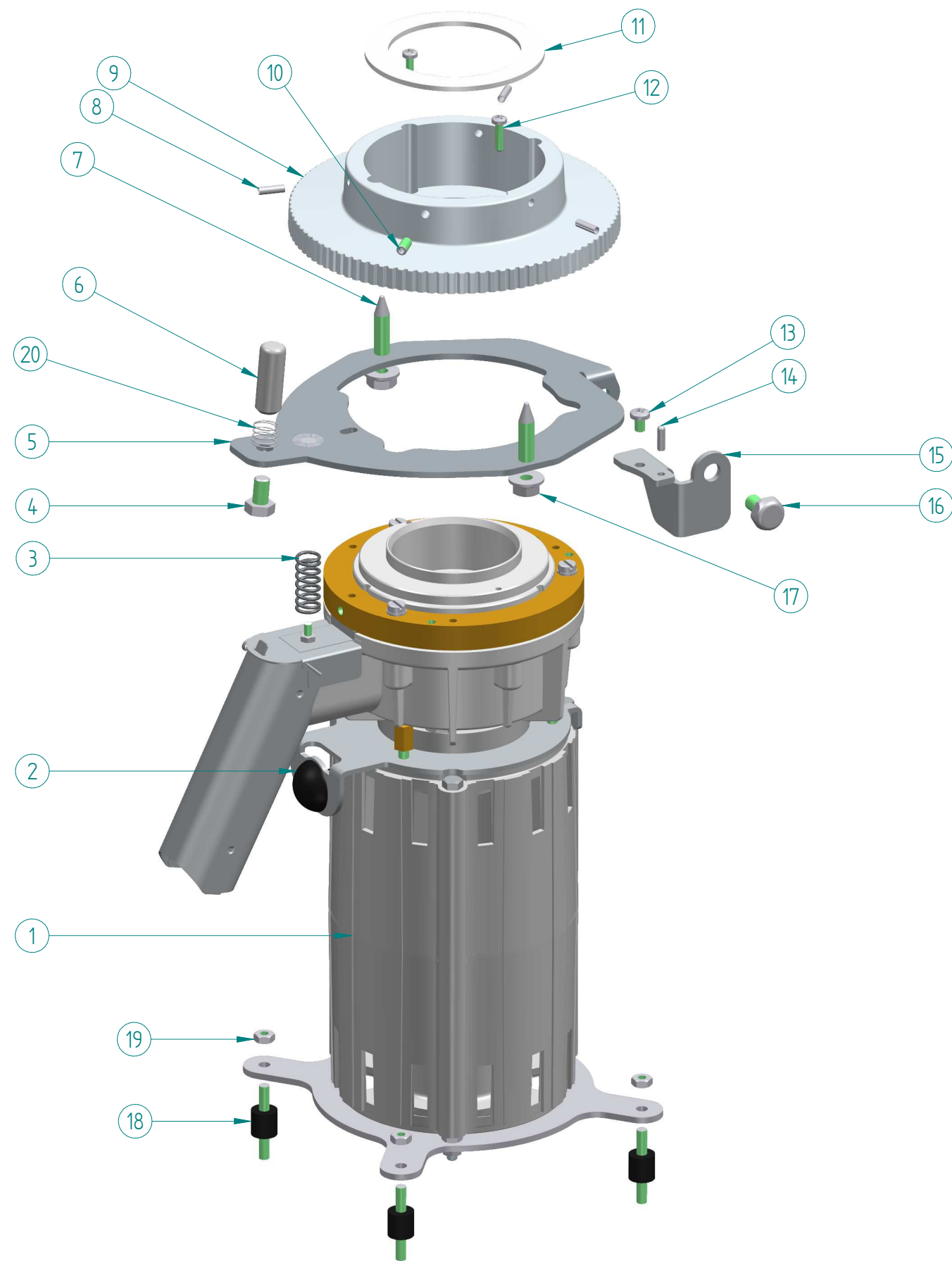
| ITEM | CODE | DESCRIPTION | NOTE |
|------|-------------|----------------------------|-------------|
| 1 | A-GR-0204 | COMPLETE FRONT PANEL | See sheet 4 |
| 2 | - | LEFT SIDE BODY | See sheet 7 |
| 3 | B-GR-0113 | HOPPER LID | |
| 4 | A-GR-0205 | COMPLETE FEEDBOX | |
| 5 | - | GRINDER MAX MECHANICS | See sheet 5 |
| 6 | B-GR-0201 | CIRCUIT BOARD | |
| 7 | B-00-0295 | SCREW TBEI A2 M4x8 UNI7380 | |
| 8 | B-GR-0180 | REAR CROSSPIECE | |
| 9 | B-MC-0704A | DC LOGO PL. SMALL 42X46 | |
| 10 | B-GR-0179 | REAR PANEL | |
| 11 | - | RIGHT SIDE BODY | See sheet 8 |
| 12 | B-GR-0194 | CONDENSER BRACKET | |
| 13 | B-00-0420 | 12,5 µF CONDENSER UL | |
| 13a | B-00-0356 * | 30 µF CONDENSER UL | |
| 13b | B-00-0384 * | 35 µF CONDENSER UL | |
| 14 | B-00-0354 | CIRCUIT BOARD SUPPORT | |
| 15 | A-GR-0201 | COMPLETE CHASSIS | See sheet 3 |



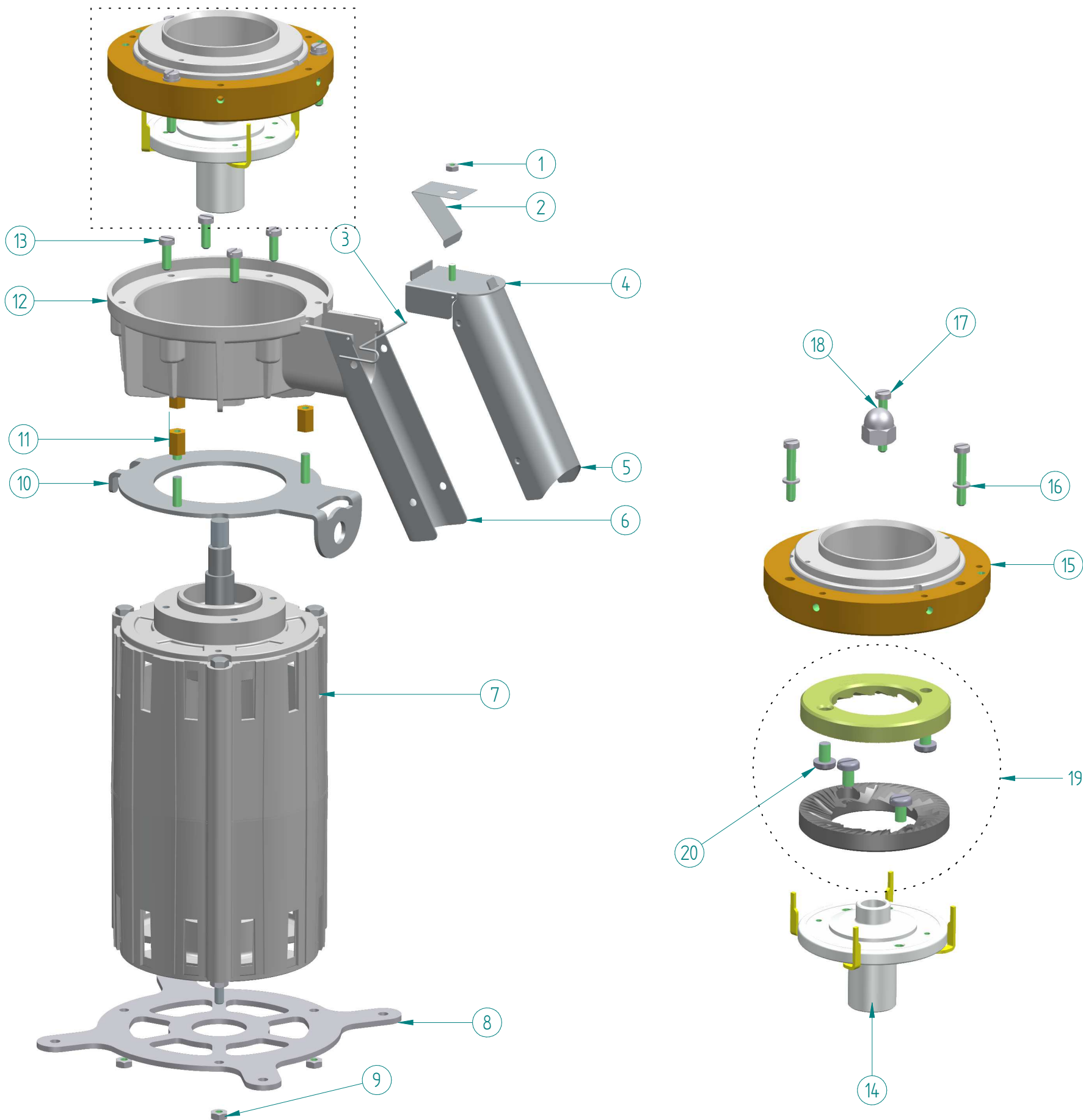
| ITEM | CODE | DESCRIPTION | NOTE |
|------|-----------|--------------------------------|------|
| | A-GR-0201 | COMPLETE CHASSIS | |
| 1 | B-GR-0175 | FRONT PANEL | |
| 2 | B-00-0326 | ON-OFF PLATE | |
| 3 | B-00-0296 | BIPOLAR LEVER SWITCH W/RING N. | |
| 4 | B-00-0199 | SCREW TC M2 x 10 | |
| 5 | B-00-0204 | MICRO SWITCH | |
| 6 | B-GR-0027 | PROBE MICRO CAM | |
| 7 | B-00-0120 | NUT M8 | |
| 8 | B-GR-0029 | MICRO SWITCH SUPPORT | |
| 9 | B-00-0320 | CABLE RING | |
| 10 | B-GR-0182 | WASTE TRAY | |
| 11 | B-GR-0025 | PROBE GUIDE | |
| 12 | B-GR-0028 | PROBE SPRING | |
| 13 | B-GR-0026 | PROBE ROD | |
| 14 | B-GR-0035 | SINGLE DOSE PROBE | |
| 15 | B-GR-0036 | DOUBLE DOSE PROBE | |
| 16 | B-00-0195 | GRUB SCREW A2 M4 x 6 DIN 914 | |
| 17 | B-00-0209 | SCREW TCCE M4x16 A2 DIN912 | |
| 18 | A-GR-0011 | FILTER HOLDER SUPPORT | |

| ITEM | CODE | DESCRIPTION | NOTE |
|------|-----------|------------------------------|------|
| | A-GR-0204 | COMPLETE FRONT PANEL | |
| 1 | B-GR-0178 | FRONT PANEL | |
| 2 | B-00-0320 | CABLE RING | |
| 3 | B-00-0295 | SCREW TBEI A2 M4x8 UNI7380 | |
| 4 | B-GR-0190 | ENCODER BOARD | |
| 5 | B-GR-0205 | ENCODER BOARD SPACER | |
| 6 | B-GR-0207 | BUTTON SPRING SPACER | |
| 7 | B-MC-0210 | SPRING D9 FOR BUTTONS | |
| 8 | B-MC-1057 | BUTTON CONTROL | |
| 9 | B-00-0195 | GRUB SCREW A2 M4 x 6 DIN 914 | |
| 10 | B-GR-0183 | ENCODER KNOB | |



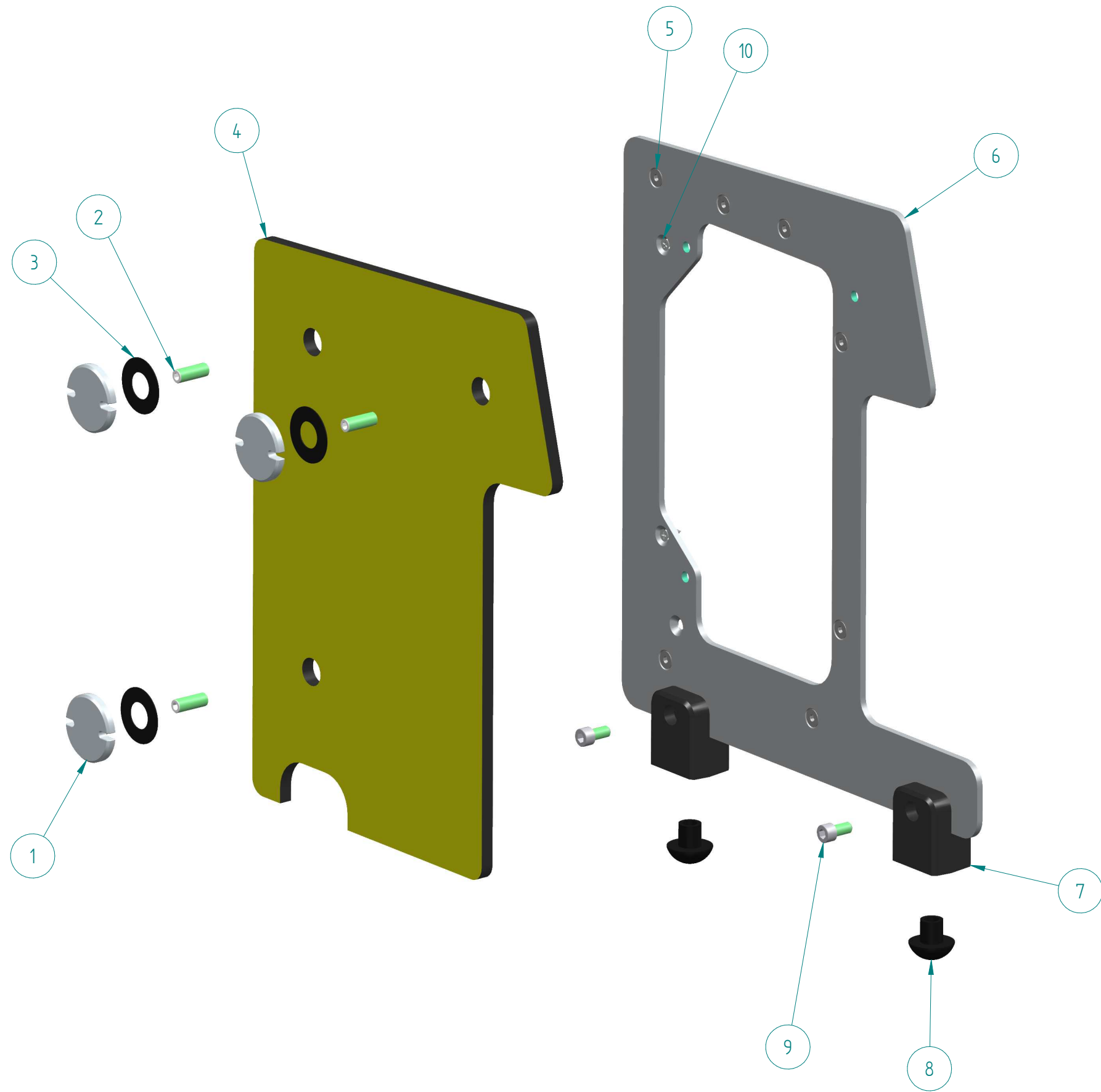


| ITEM | CODE | DESCRIPTION | NOTE |
|------|-----------|-----------------------------|-------------|
| | A-GR-0202 | GRINDER MAX MECHANICS | |
| | A-GR-0206 | GRINDER MAX MECHANICS 115 V | |
| 1 | A-GR-0203 | GRINDING UNIT | See sheet 6 |
| 1 b | A-GR-0207 | GRINDING UNIT 115 V | See sheet 6 |
| 2 | B-00-0196 | RUBBER FOOT | |
| 3 | B-GR-0195 | ADJUSTING BLOCK SPRING | |
| 4 | B-00-0107 | SCREW TE 8.8 M6x10 DIN933 | |
| 5 | B-GR-0185 | LOCKING SUPPORT DISK | |
| 6 | B-GR-0189 | RELEASE BUTTON | |
| 7 | B-GR-0186 | LOCATING PIN | |
| 8 | B-00-0323 | SPRING PIN D3 x 10 | |
| 9 | B-GR-0188 | ADJUSTING DISC | |
| 10 | B-00-0197 | GRUB SCREW M4 x 10 DIN 913 | |
| 11 | B-GR-0044 | HOPPER GASKET 2mm | |
| 12 | B-00-0261 | SCREW TC+ A2 M3x12 DIN7985 | |
| 13 | B-00-0111 | SCREW TC+ A2 M4x6 DIN7985 | |
| 14 | B-00-0202 | CYLINDRICAL PIN D3x10 | |
| 15 | B-GR-0184 | CONNECTION ADJUSTMENT PLATE | |
| 16 | B-MC-0173 | SIDE COUPLING SCREW | |
| 17 | B-00-0113 | FLANGED NUT M6 DIN6923 | |
| 18 | B-00-0198 | ANTIVIBRATION M4 x 10 55SH | |
| 19 | B-00-0121 | NUT M4 | |
| 20 | B-MC-0210 | SPRING D9 FOR BUTTONS | |

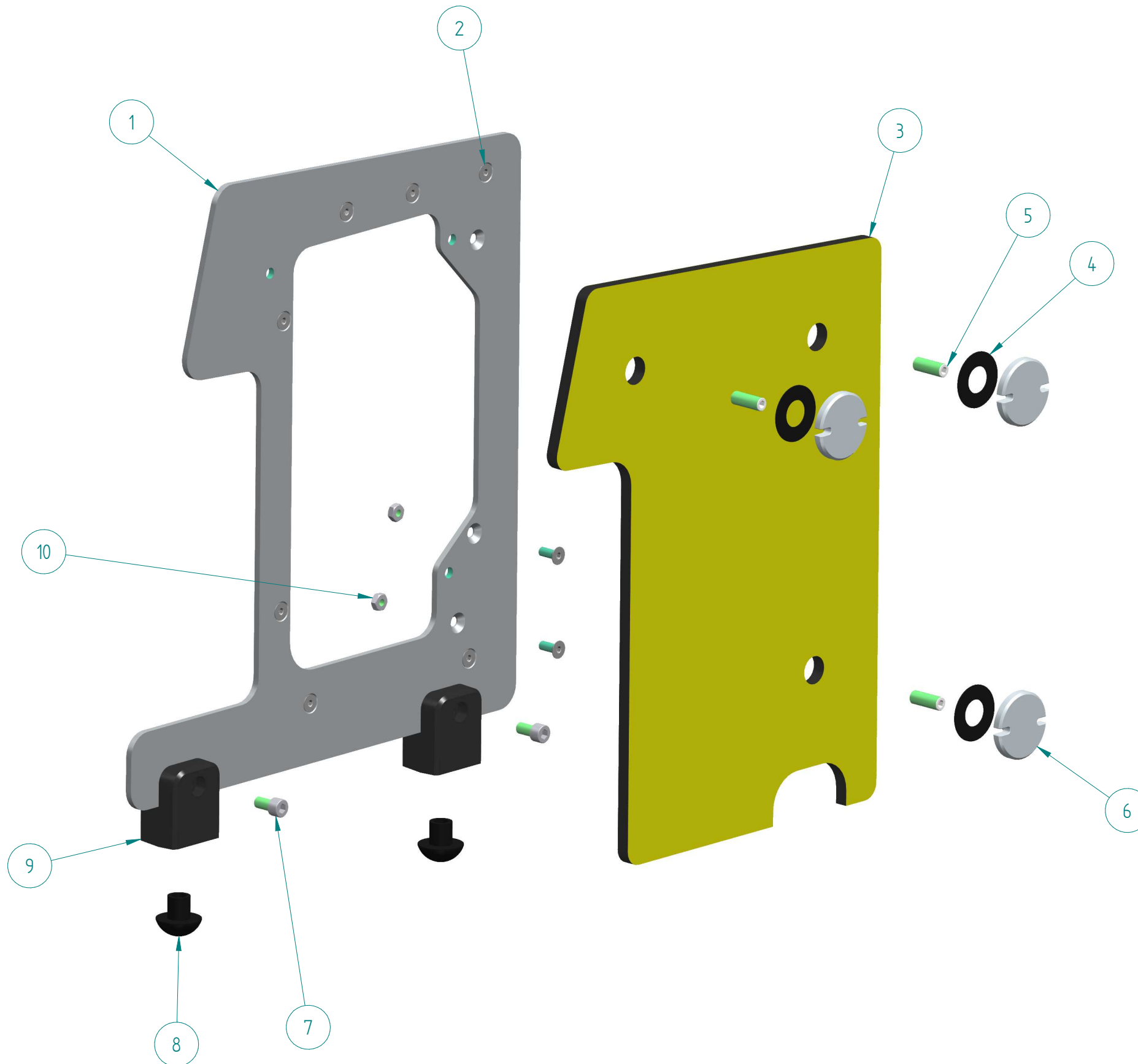


| ITEM | CODE | DESCRIPTION | NOTE |
|------|--------------|-------------------------------|------------------|
| | A-GR-0203 | GRINDING UNIT | |
| | A-GR-0207 | GRINDING UNIT 115 V | |
| 1 | B-00-0135 | NUT M3 UNI5588 | |
| 2 | B-GR-0174 | FLAT SPRING | |
| 3 | B-GR-0148 | SPOUT FIXING SPRING | |
| 4 | B-GR-0141 | SPOUT TOP COVER | |
| 5 | B-GR-0140BEP | GRINDER SPOUT COVER | |
| 6 | B-GR-0139BEP | SPOUT | |
| 7 | B-00-0219 | MOTOR 230V 245W CL "F" | |
| 7 b | B-00-0312 | MOTOR 245W 115V CLF | |
| 8 | B-GR-0187 | MOTOR SUPPORT PLATE | |
| 9 | B-00-0121 | NUT M4 | |
| 10 | B-GR-0203 | GRINDING BODY ADJUSTMENT RING | |
| 11 | B-GR-0170 | THREADED SOCKET M4 x 10 | |
| 12 | B-GR-0083A | GRINDING UNIT BODY | |
| 13 | B-00-0249 | SCREW TC- M4 x 12 | |
| 14 | A-GR-0111 | LOWER G. DISC HOLDER-GRINDER | |
| 15 | B-MK-10675 | GRINDER BURR SET | |
| 15 | A-GR-0019 | GRINDING DISC SET | |
| 16 | B-00-0251 | ELASTIC WASHER D4 | |
| 17 | B-00-0250 | SCREW TC- M4 x 25 | |
| 18 | B-00-0236 | BLIND NUT M8 | |
| 19 | B-MK-10675 | GRINDING DISCS SET | |
| 20 | B-00-0409 | SCREW TC- A2 M5x8 DIN84 | ORDER SEPARATELY |

| | | | | |
|---|---------------|---------------|---|------------|
| DALLA CORTE SPARE PARTS CATALOGUE | DESCRIPTION | REV | NOTE: * ALTERNATIVE TO THE REPRESENTED COMPONENT | SHEET 6 |
| | GRINDING UNIT | 17 | | |
| | ASSEMBLY CODE | EMISSION DATE | | |
| | A-GR-0203 | AUGUST 2020 | | |



| ITEM | CODE | DESCRIPTION | NOTE |
|------|----------------|--------------------------------|------|
| | - | LEFT SIDE BODY | |
| 1 | B-MC-2048A | PANEL FIXING STUD | |
| 2 | B-00-0299 | GRUB SCREW M6x16 DIN916 | |
| 3 | B-MC-2085 | GASKET NBR D. 25x12x0.5 | |
| 4 | - | LEFT PANEL | |
| 4a | B-GR-0193BB* | BLACKBOARD | |
| 4b | B-GR-0208CSHH* | COUNTRY GREEN/COUNTRY BLUE | |
| 4c | B-GR-0193DB* | DEC. STONE | |
| 4d | B-GR-0193DO* | DARK EARTH OAK | |
| 4e | B-GR-0192GL* | GLASS | |
| 4f | B-GR-0208HHCS* | COUNTRY BLUE/COUNTRY GREEN | |
| 4g | B-GR-0193LO* | LIGHT OAK | |
| 4h | B-GR-0193PN* | BLACK SOFT TOUCH | |
| 4i | B-GR-0193PY* | YELLOW SOFT TOUCH | |
| 4l | B-GR-0193VW* | VENICE WOOD | |
| 4m | B-GR-0193W* | WHITE MATTE | |
| 4n | B-GR-0193WV* | WOOD VENEER | |
| 4o | B-GR-0193YE* | YELLOW MATTE | |
| 4p | B-GR-0193-BR* | BLAZE RED | |
| 4q | B-GR-0193-IB* | ICE BLUE | |
| 4r | B-GR-0193-MG* | MINT GREEN | |
| 4s | B-GR-0193-MY* | MOON GREY | |
| 5 | B-00-0294 | SCREW TSEI M4 x 10 | |
| 6 | B-GR-0177EP | LEFT SIDE | |
| 7 | B-GR-0181 | ZAMAK FOOT | |
| 8 | B-00-0196 | RUBBER FOOT | |
| 9 | B-00-0108 | SCREW TCEI M5 x 10 | |
| 10 | B-00-0122 | SCREW TSP 2,9x9,5 DIN7982 INOX | |



| ITEM | CODE | DESCRIPTION | NOTE |
|------|----------------|----------------------------|------|
| | - | RIGHT SIDE BODY | |
| 1 | B-GR-0176EP | RIGHT SIDE | |
| 2 | B-00-0294 | SCREW TSEI M4 x 10 | |
| 3 | - | RIGHT PANEL | |
| 3a | B-GR-0192BB* | BLACKBOARD | |
| 3b | B-GR-0208CSHH* | COUNTRY GREEN/COUNTRY BLUE | |
| 3c | B-GR-0192DB* | DEC. STONE | |
| 3d | B-GR-0192DO* | DARK EARTH OAK | |
| 3e | B-GR-0192GL* | GLASS | |
| 3f | B-GR-0208HHCS* | COUNTRY BLUE/COUNTRY GREEN | |
| 3g | B-GR-0192LO* | LIGHT OAK | |
| 3h | B-GR-0192PN* | BLACK SOFT TOUCH | |
| 3i | B-GR-0192PY* | YELLOW SOFT TOUCH | |
| 3l | B-GR-0192VW* | VENICE WOOD | |
| 3m | B-GR-0192W* | WHITE MATTE | |
| 3n | B-GR-0192WV* | WOOD VENEER | |
| 3o | B-GR-0192YE* | YELLOW MATTE | |
| 3p | B-GR-0192-BR* | BLAZE RED | |
| 3q | B-GR-0192-IB* | ICE BLUE | |
| 3r | B-GR-0192-MG* | MINT GREEN | |
| 3s | B-GR-0192-MY* | MOON GREY | |
| 4 | B-MC-2085 | GASKET NBR D. 25x12x0.5 | |
| 5 | B-00-0299 | GRUB SCREW M6x16 DIN916 | |
| 6 | B-MC-2048A | PANEL FIXING STUD | |
| 7 | B-00-0108 | SCREW TCEI M5 x 10 | |
| 8 | B-00-0196 | RUBBER FOOT | |
| 9 | B-GR-0181 | ZAMAK FOOT | |
| 10 | B-00-0121 | NUT M4 | |



B-00-0211
BRUSH FOR GRINDER CLEANING

A-MC-2015
KEY LOCKING HUBCAP



B-GR-0082
GRINDZ - GRINDER CLEANER
(BOX 215 gr)

B-GR-0053
PROGRAMMING USB KEY



B-GR-0096
GRINDZ - GRINDER CLEANER
(BOX 430 gr)



B-00-0214
SPANNER 7

K-0154
MAINTENANCE KIT SPARE PARTS

