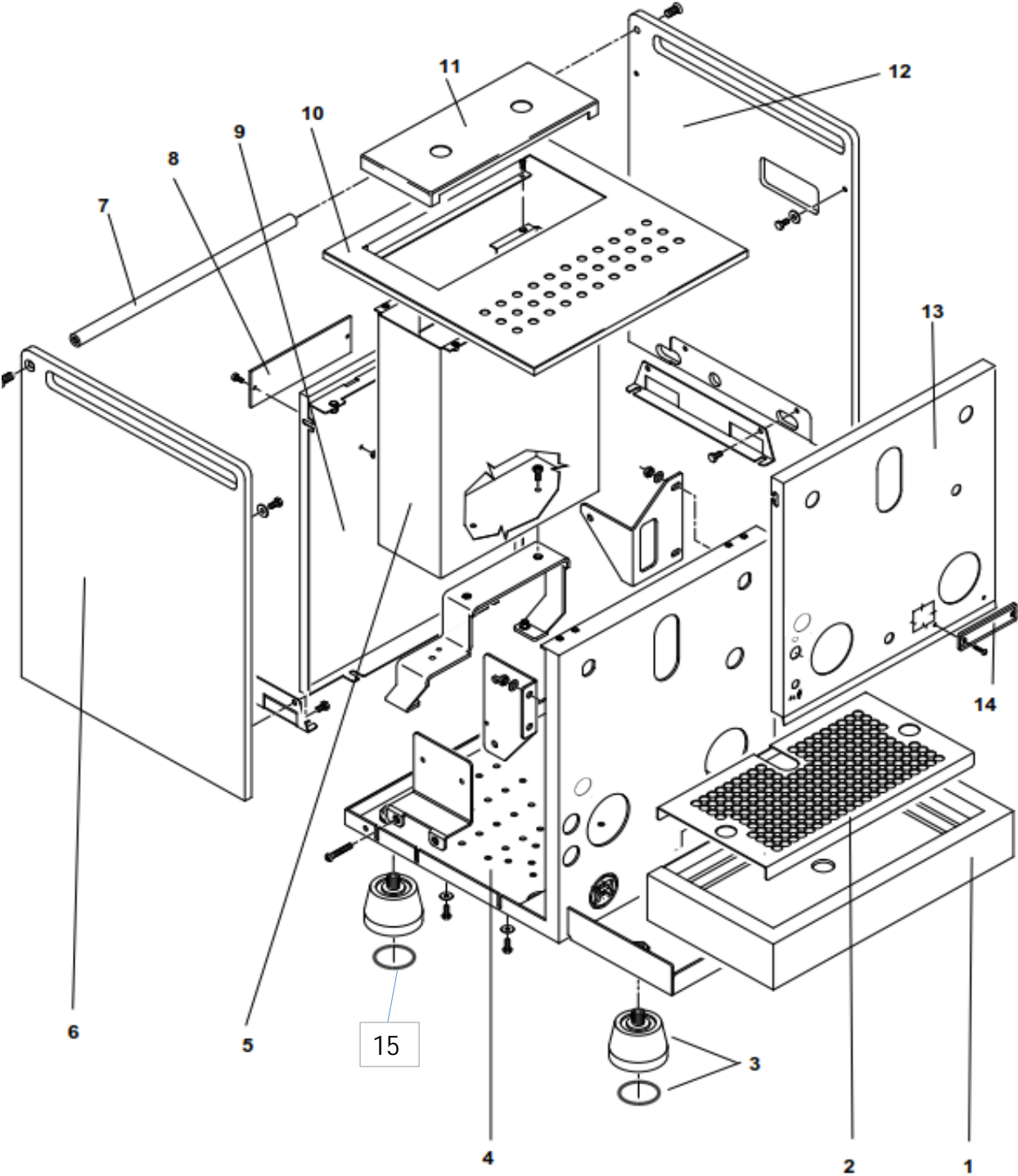


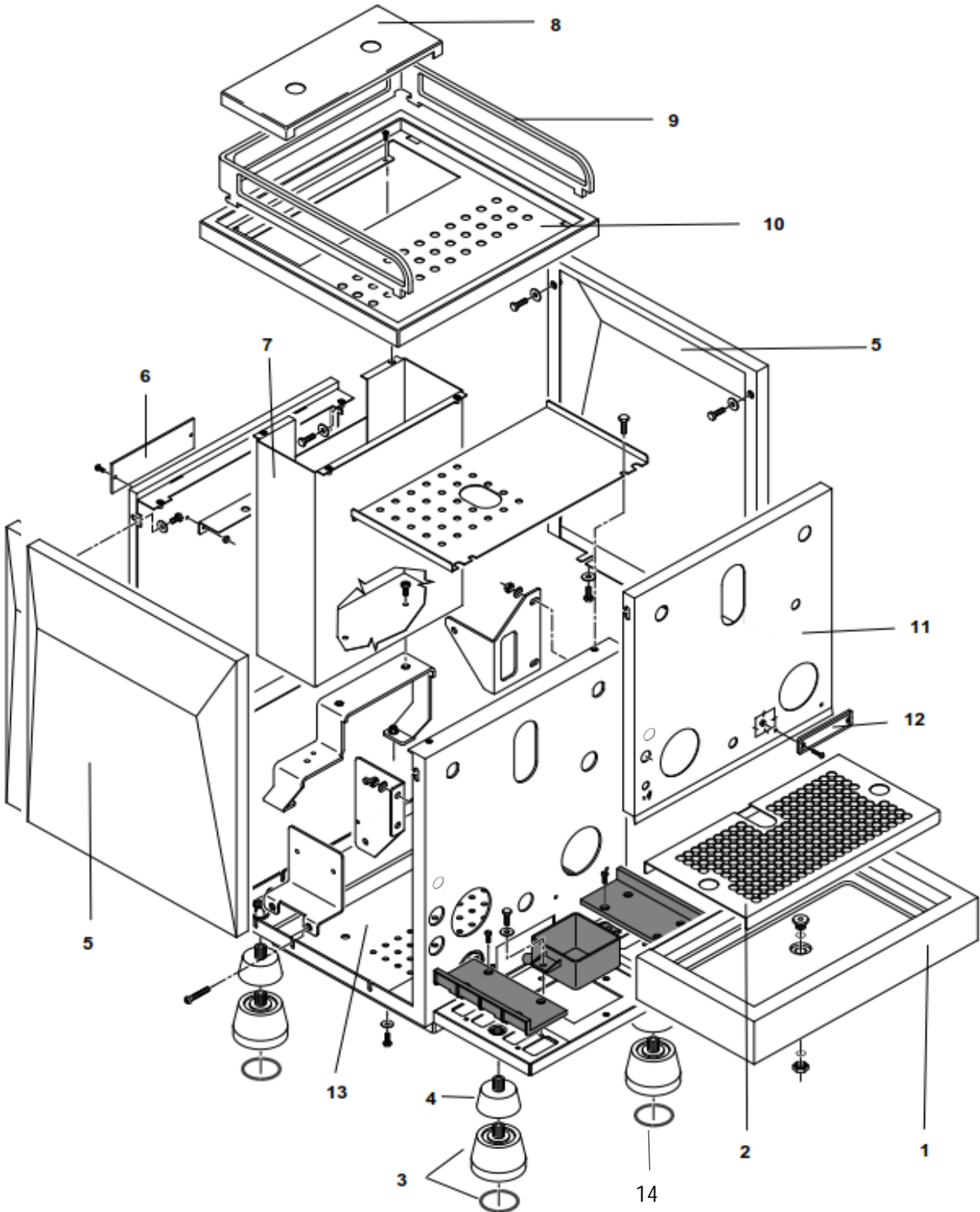


Mozzafiato Cronometro R - Giotto Cronometro R Espresso Machine

From Serial number D1920....

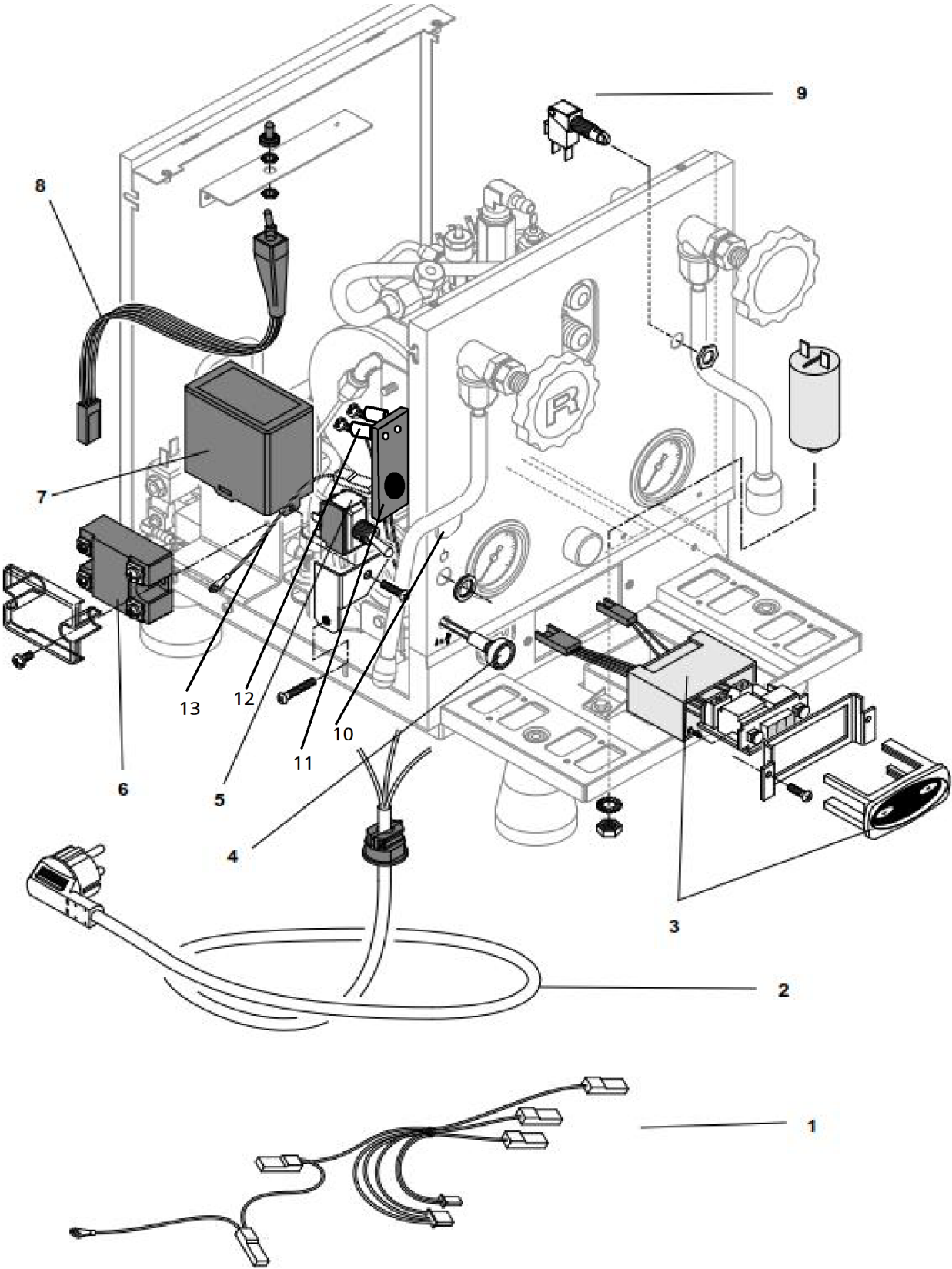


Pos.	#	Description	Euro	Notes
1	R01L005125	Drip tray	96,00	
2	A019904346	Grid	23,20	
3	A059906054	Foot with silicone O-ring	11,03	
4	A009906649	Chassis Mozzafiato/Giotto Crono R	92,75	
5	A019904656	Tank guide	39,80	
6	A057706158	Left side panel chrome	177,10	
	A0577B6158	Left side panel black	140,00	
	A05W706052	Left side panel white	140,00	
7	A059906053	Bar	14,63	
8	A859904400	Rear tag	21,66	
9	C01L004255	Rear panel chrome	49,20	
	C01B004255	Rear panel black	72,98	
	C01W004255	Rear panel white	72,98	
10	A019906050	Cover	30,40	
11	R01L000382	Reservoir cover	20,00	
12	A057706157	Right side panel chrome	177,10	
	A0577B6157	Right side panel black	140,00	
	A05W706051	Right side panel white	140,00	
13	A01I006648	Front panel Mozzafiato Crono V / Crono R	38,40	
14	A859906121	Front tag	13,95	
15	R849906343	OR for foot	0,63	



Giotto Cronometro R**Bodywork**

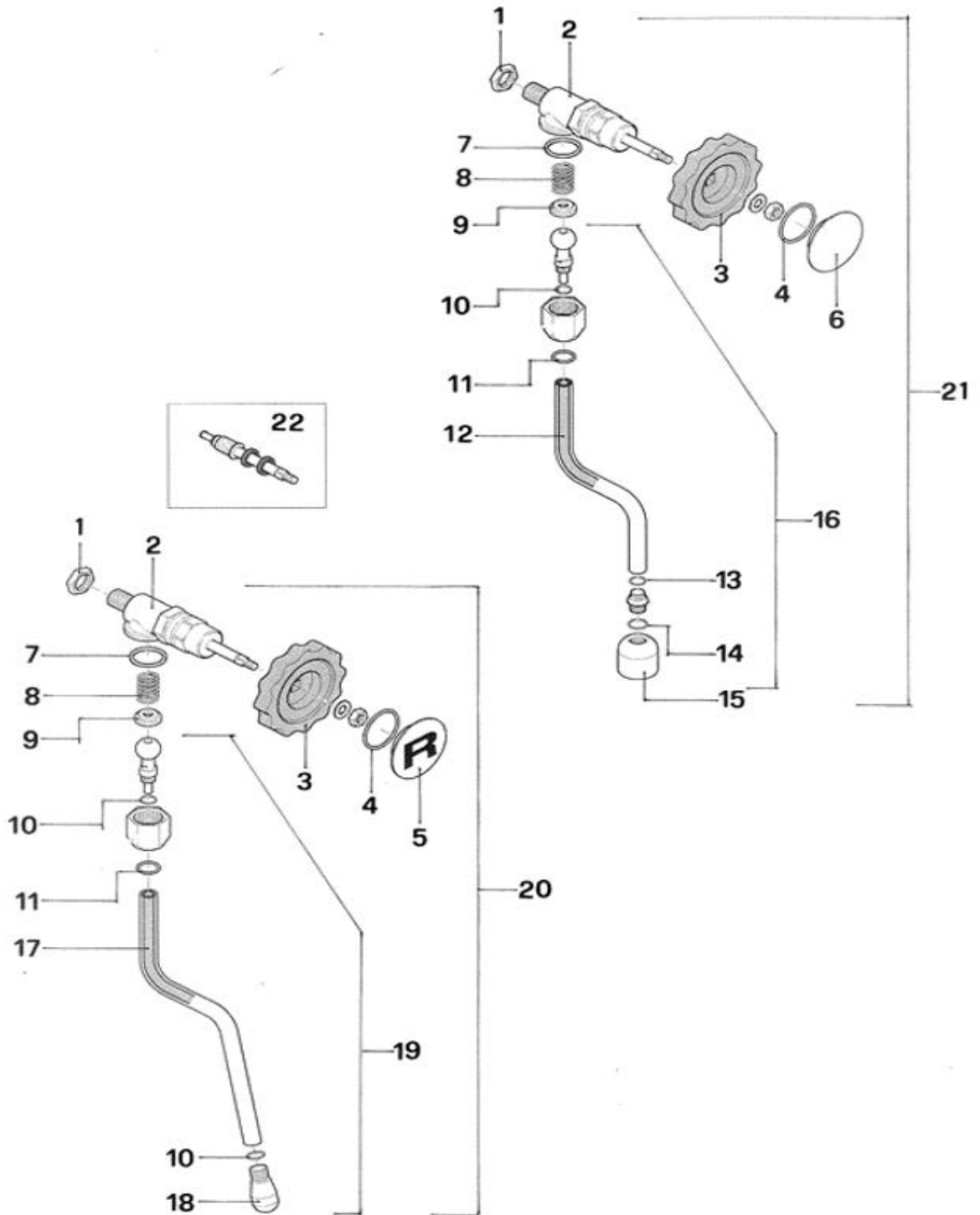
Pos.	#	Description	Euro	Notes
1	R01L005125	Drip tray	96,00	
2	A019904346	Grid	23,20	
3	A059906054	Foot with silicone O-ring	11,03	
4	A059906073	Foot extension	6,53	
5	A019906043	Side panel stainless steel	75,60	
6	A859904400	Rear tag	21,66	
7	A019904656	Tank guide	39,80	
8	R01L000382	Reservoir cover	20,00	
9	A999904597	Cups frame stainless steel	68,00	
10	C01L004246	Cover- cups support panel	64,05	
11	A01I006647	Front panel Giotto Crono R / Crono V	39,20	
12	A859906123	Front tag	13,95	
13	A009906649	Chassis Mozzafiato/Giotto Crono R	92,75	
14	R849906343	OR for foot	0,62	



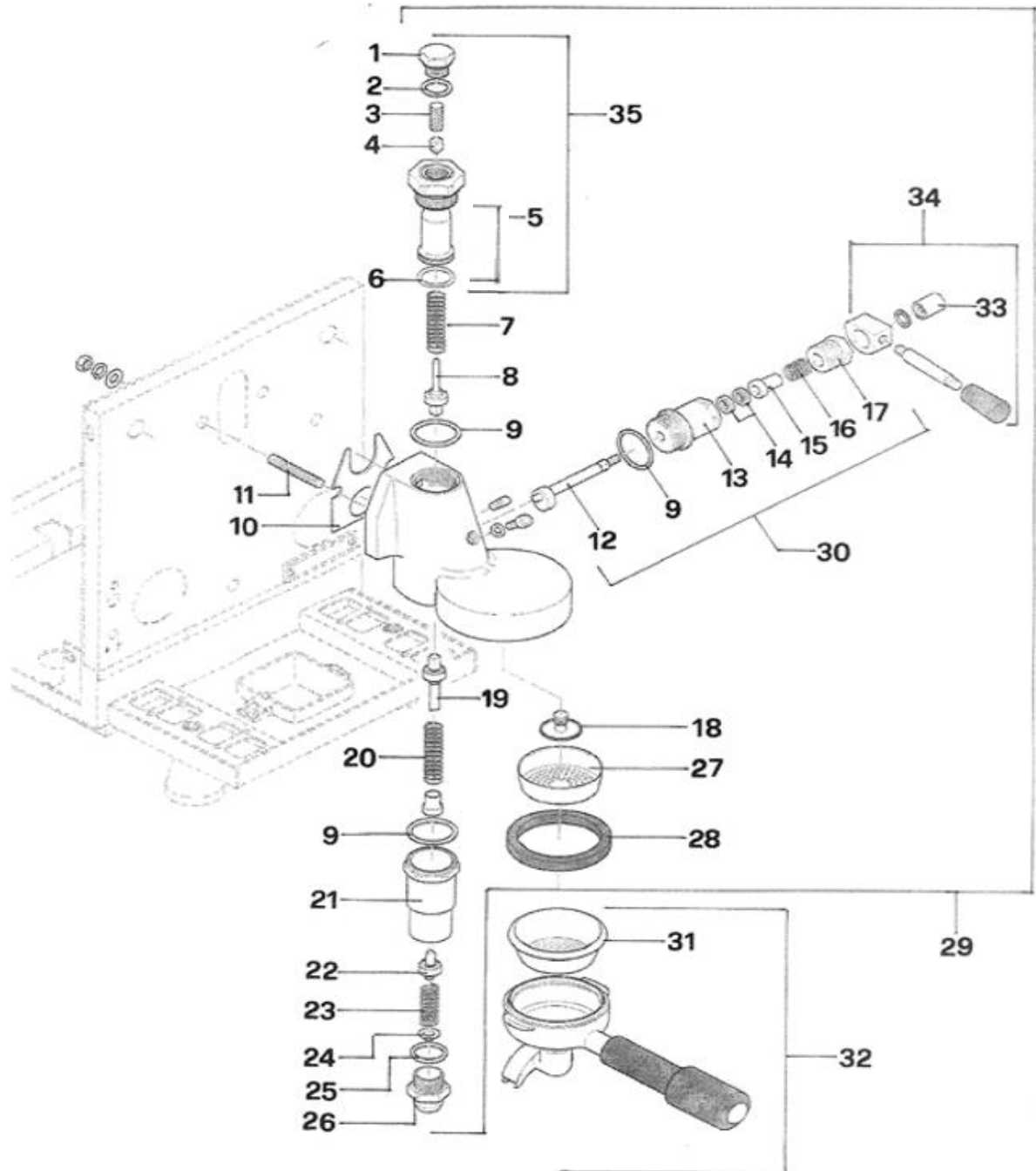
Pos.	#	Description	Euro	Notes
1	A199906055	Wiring loom (includes pos. 8)	61,90	
2	C199900957	CE Power cord	9,90	
	A199904518	IS Power cord	18,00	
	A199904616	KR Power cord	18,00	
	C199900958	UL Power cord	11,25	
	C199901115	AUS/NZ Power cord	13,54	
	C199901116	GB Power cord	11,25	
	C199901510	CH Power cord	11,25	
3	A199905505	Thermo-PID V. 230/50	64,75	
	A199905514	Thermo-PID V. 115/60	68,25	
4	A139904519	Green lamp	3,15	
5	A199906002	On-off switch	8,10	
6	A190004666	Relé SSR	38,50	
7	A199906656	Control board Crono V.230-240 / 50-60 Hz	64,20	
	A199906657	Control board Crono V. 115/60 Hz	64,20	See Control board table below
9	A199905198	Microswitch	8,20	
10	A439906644	Glass Display Cronometro	2,50	
11	A199906642	Display Cronometro	47,25	
12	A439906653	Spacer Display Cronometro	0,125	
13	A199906722	Cable Display Cronometro	4,50	

CONTROL BOARD TABLE

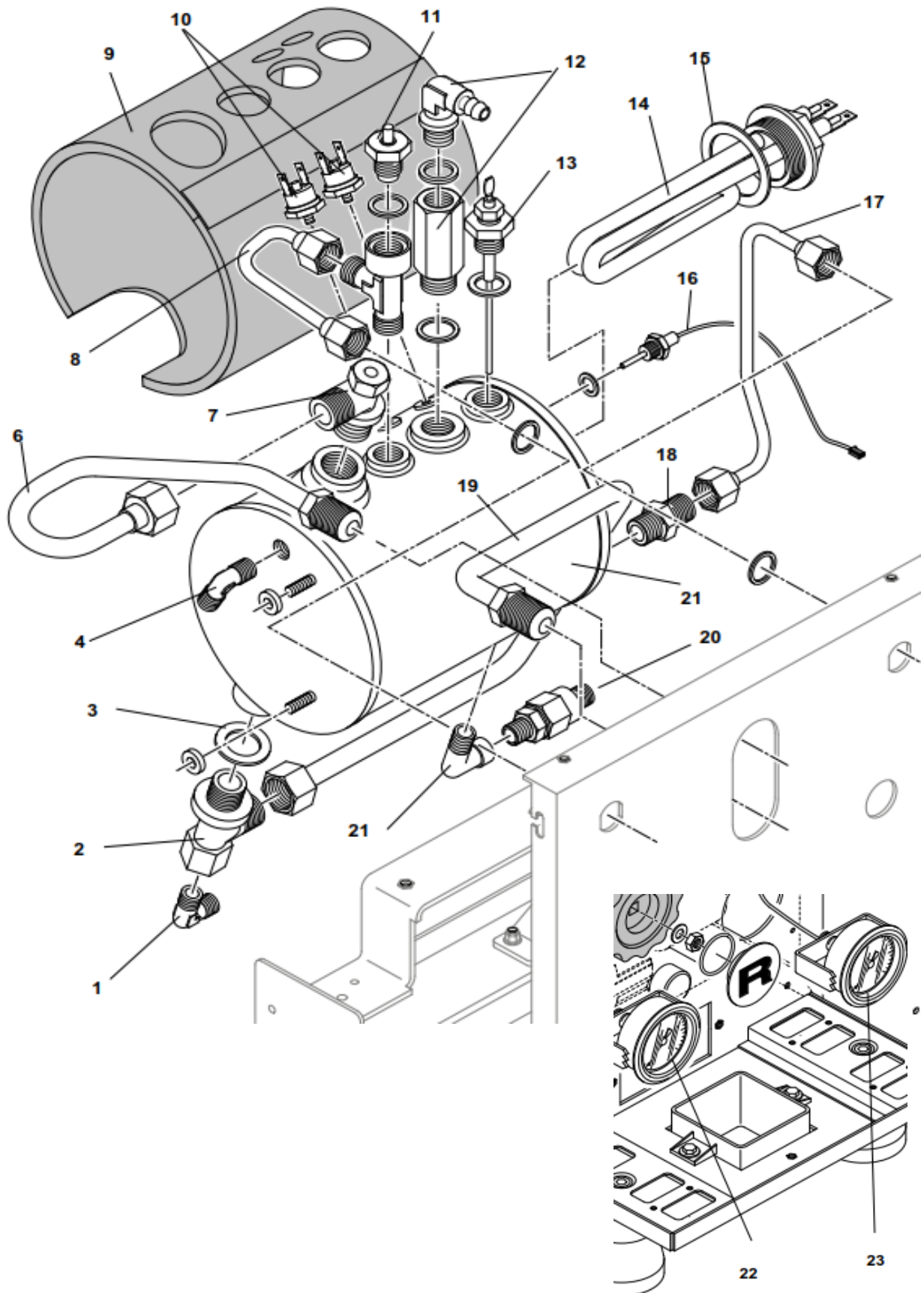
MACHINE SERIAL NUMBER	MODEL	USE CONTROL BOARD		VERSION USA
EARLY VERSIONS	GIOTTO	A190004275	PRE GREEN PLUG VERSION	
EARLY VERSIONS	CELLINI	A190004275	PRE GREEN PLUG VERSION	
	GIOTTO TYPE V	A190004524		A190004525
	MOZZAFIATO TYPE V	A190004524		A190004525
	GIOTTO EVOLUZIONE R	A190004524		A190004525
	MOZZAFIATO EVOLUZIONE R	A190004524		A190004525
FROM D1915...	GIOTTO CRONOMETRO V	A199906656		A199906657
FROM D1915...	MOZZAFIATO CRONOMETRO V	A199906656		A199906657
	GIOTTO CRONOMETRO V	NON ECO MODE	REMOVE BRIDGE FROM CONTROL BOARD A199906656	A199906657
	MOZZAFIATO CRONOMETRO V	NON ECO MODE	REMOVE BRIDGE FROM CONTROL BOARD A199906656	A199906657
FROM D1915...	GIOTTO CRONOMETRO R	A199906656		A199906657
FROM D1915...	MOZZAFIATO CRONOMETRO R	A199906656		A199906657
	GIOTTO CRONOMETRO R	NON ECO MODE	REMOVE BRIDGE FROM CONTROL BOARD A199906656	A199906657
	MOZZAFIATO CRONOMETRO R	NON ECO MODE	REMOVE BRIDGE FROM CONTROL BOARD A199906656	A199906657
TO D1915...	APPARTAMENTO	A190004524	**NB LOW TENSION CONNECTION	A190004525
			*To modify Appartamento low tension to D1915... to high tension	
			1. Use wiring modification file	
			2. Use pressurestat 16A	
			3. Use control board A199906656	A199906657
FROM D1915...	APPARTAMENTO ECO MODE	A199906656		A199906657
FROM D1915...	APPARTAMENTO NON ECO MODE	A199906656	REMOVE CONTROL BOARD BRIDGE	A199906657



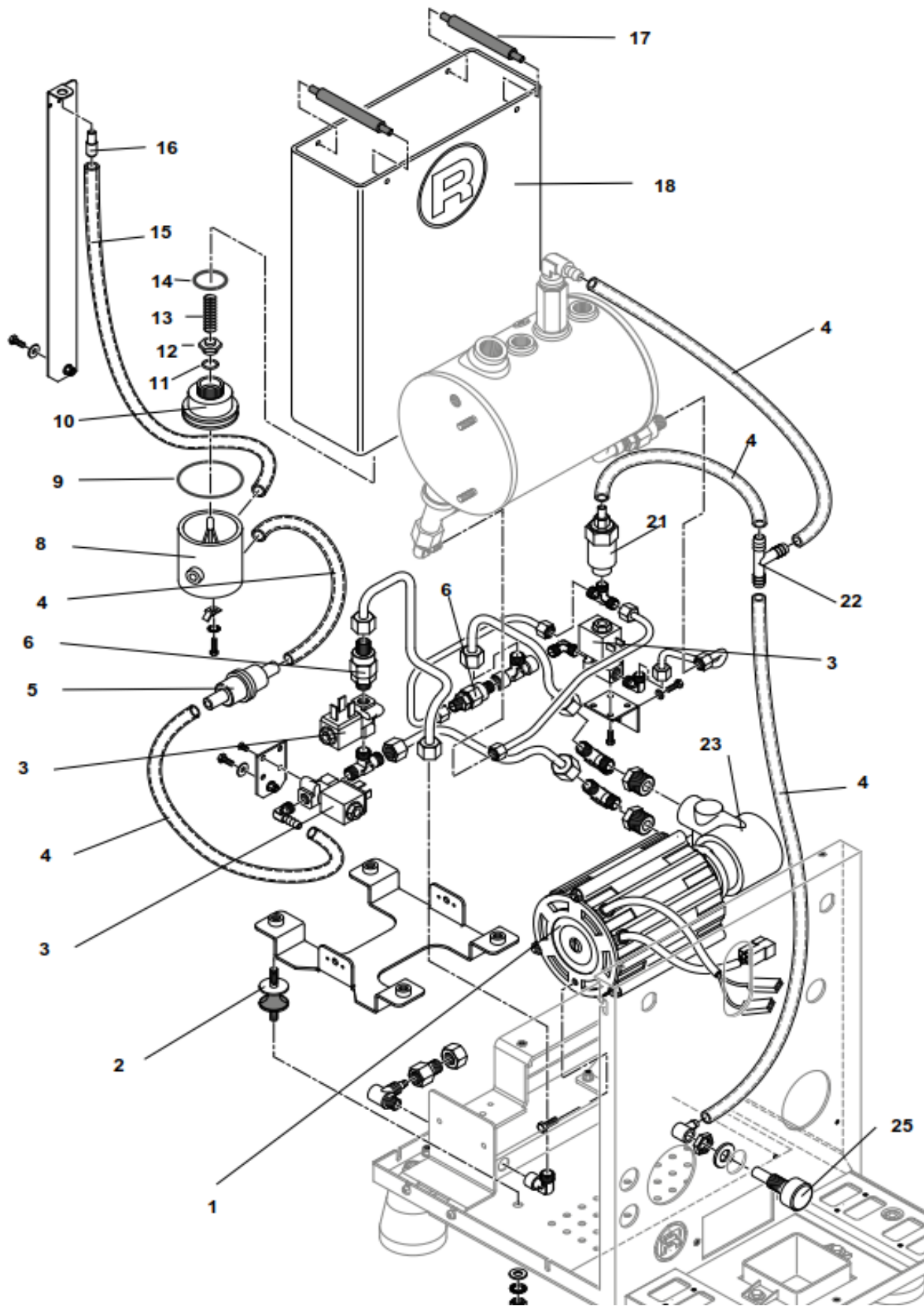
Pos.	#	Description	Euro	Notes
1	A329905087	Nut 1/4"	1,00	
2	A229905784	Valve	29,00	
3	A639905816	Handle	7,42	
4	A449904672	O-Ring	0,20	
5	A529R04649	"R" cover for steam valve handle	19,80	
6	A527704649	Cover for hot water handle	15,75	
7	A449904331	Teflon gasket	0,72	
8	A209904332	Spring	0,62	
9	A229904333	Plate	0,87	
10	C400002022	O-Ring	0,20	
11	A449904334	O-Ring	0,35	
12	C440003449	Siliconr pipe 4 x 7	1,47	
13	C400002022	O-Ring	0,20	
14	C400003008	O-Ring	0,25	
15	C227700536	Hot water nozzle	6,43	
16	R290003612	Hot water wand (complete)	24,00	
17	C440003449	Silicone pipe 4 x 7	1,47	
18	C200002839	Steam nozzle 2 holes 1,5	5,40	
19	R290003611	Steam wand (complete)	23,00	
20	R299906015	Steam wand with valve	68,47	
21	R299906016	Hot water wand with valve	68,47	
22	R229905953	Shaft	5,00	



Pos.	#	Description	Euro	Notes
1	A229904391	Rounded nut	4,00	
2	C469900420	Gasket	0,50	
3	C619900554	Filter	2,56	
4	C229900549	Restrictor 0,8	0,64	
6	C469900422	Green gasket	1,50	
7	C219900423	Spring	1,50	
8	C219900424	Valve	13,90	
9	C469900421	Teflon gasket	1,50	
10	C449900767	Gasket	0,75	
11	A319904599	Screw	0,18	
12	R229905238	Shaft	20,25	
13	R000002142	Flange	15,75	
14	C219900426	Gasket	1,50	
15	R000002143	Support	3,00	
16	C219900427	Spring	2,00	
17	R000002144	Cover	2,40	
18	C229901228	Diffuser	5,85	
19	C219900430	Valve	17,55	
20	A219904309	Spring	2,00	
21	C229901165	Cylinder	22,04	
22	C219903081	Valve	11,25	
23	C219900431	Spring	2,50	
24	R000002148	Connector	3,50	
25	C469900783	Gasket	0,50	
26	R000002149	Connector	3,19	
27	C519900103	Shower foil	4,30	
28	C449900229	Group gasket	1,25	
29	C200002983	Group complete	236,25	
30	R299905887	Cam kit	29,80	
31	C610003902	7 g filter basket	6,08	
	C610003901	14 g filterbasket	6,08	
	C619900106	Backflush cap ("blind filter")	3,15	
32	A699905020	1 cup filter holder with basket	40,68	
	A699905021	2 cups filter holder with basket	40,68	
33	R000002146	Pin	4,50	
34	R299905888	Lever assembly	32,60	
35	RA99905814	Ceramic group shaft	60,00	
5	R299906767	Replacement ceramic shaft	22,75	



Pos.	#	Description	Euro	Notes
1	C229900393	Injector 110 mm	6,03	
2	C229900740	Connector	9,09	
3	C479900673	Copper gasket	1,00	
4	A229904355	Connector	2,00	
6	A279905173	Inlet pipe	12,28	
7	A229904957	Connector	4,00	
8	A279904290	Steam pipe	8,50	
9	A499905058	Boiler insulation	7,47	
10	C199901550	Thermostat 135°C	7,20	
11	A219905510	Vacuum breaker valve	8,73	
12	A299904998	Safety valve	22,30	
13	C199900839	Boiler level probe	9,45	
14	C199901551	Heating element V. 230	41,20	
	C199901552	Heating element V.1115	43,60	
15	C469900239	Heating element gasket	3,00	
16	A119905081	NTC probe	30,00	
17	A229905097	Water pipe	8,50	
18	C229900520	Connector	1,70	
19	A279904289	Return pipe	11,45	
20	C229900540	Non return valve	10,98	
21	A277704278	Boiler	147,00	
22	A299905009	Boiler pressure gauge with capillary pipe	28,60	
23	A299905010	Pump pressure gauge with capillary pipe	28,60	



Pos.	#	Description	Euro	Notes
1	A199904493	Pump motor V. 220-230-240	95,00	
	A199904494	Pump motor V. 110-115	97,00	
2	A499904364	Anti-vibration absorber	5,26	
3	C190004066	Solenoid valve V. 230	21,60	
	C190004067	Solenoid valve V.115	23,60	
4	C499900769	Silicone pipe 5x8	7,02 / meter	
5	C439900695	Filter	1,60	
6	C229900540	Non return valve	10,98	
8	R839905148	Manifold	€ 4,40	
9	A449904547	O-ring	0,67	
10	A439905146	Coupling	2,25	
11	C449900702	O-ring	0,36	
12	C430003482	Connector	4,50	
13	C019900711	Spring	1,75	
14	A449905151	O-ring	0,40	
15	C260003822	Silicone pipe 6x9	2,05	
16	C220003818	Non return connector	2,00	
17	A639904956	Water reservoir handle	2,30	
18	R899905144	Water tank complete (18+9+10+11+12+13+14)	34,25	
21	C229900911	Expansion valve	14,20	
22	C400002827	Plastic connector	1,05	
23	A299904495	Rotary pump	91,00	
25	A227704363	Connector	5,93	