

SUP052

**RI9781/01-46
RI9782/01-46**



**Cod.886978101010-886978146540
Cod.886978201010-886978246540**

POS	12NC	DESCRIPTION	NOTE	POS	12NC	DESCRIPTION	NOTE
101	421944086411	COFFEE SPOON OMN		133	421946506261	6P CONN. 1 ELECTROV. + CUP WARM 24V	
102	996530011867	BRUSH FOR CLEANING		134	996530070321	SCREW TCBR TORX 10 3,5X12 PLAST.SS	
103	421945031791	KLUBERLUB V2 NH1 11-222 TUBE 5GR.		135	421941218802	PWR ELECTR.BOARD INSULATE SHEET AC22	Only 120V
104	996530039604	STICKER FOR WATER HARDNESS TEST		136	421946509011	BLK FRONT COV.INS AC22 ASSY	RI9781
105	996530025808	BLK POWER CABLE SCHUKO L=1200			421946509021	FRONT COV. SS9/28 AC22 ASSY	RI9782
	996530025843	BLK POWER CABLE SJT3 USA UL L=1200		137	421946509051	BLK REAR COV. AC22 ASSY	RI9781
106	421944016761	SCREW TCBR TORX 10 3,5X12 PLAST.ZN-NI			421946509061	REAR COV. SS9/28 AC22 ASSY	RI9782
107	421946509291	KIT INSERT POLIST GAG.AC22		138	421946507631	BLK TOP COVER CASING AC22 ASSY	
108	421946509301	KIT COVER CASING + HEAT.-ELEM. GAG.AC22		139	996530012898	SCREW TSP TORX 10 AB 3,5X9,5 SHEET SS	
109	421946508461	DISPLAY BOX FLEXO GAG.AC22 + GAG.CAD.	WITH PART 110				
110	421946508861	GAG.AC22 BOX A5 STICKER	WITH PART 109				
111	996530007819	SCREW TCBR TORX 10 3,5X12 PLAST.ZN-N					
112	421941229272	SB/SS GROUND CON.DOOR COV.S/S.V2 MYB9 AS					
113	421946508941	BLK WATER CON.COV AC22 ASSY	RI9781				
	421946508931	WATER CON.COV SS9/28 AC22 ASSY	RI9782				
114	421946508831	BLK LEFT PANEL AC22 ASSY	RI9781				
	421946507651	LEFT PANEL SS 9/28 AC22 ASSY	RI9782				
115	996530007365	SS SPRING FOR WATER CONTAINER LEVER MYB9					
116	996530008019	BLACK PUSH-PUSH MYB9					
117	996530007364	YELLOW LEVER FOR WATER CONTAIN.S/SC.MYB9					
118	421946508981	BLK BEAN CON.COV AC22 ASSY	RI9781				
	421946508971	BEAN CON.COV SS9/28 AC22 ASSY	RI9782				
119	996530008026	TRANSP.ROUND ADHESIVE FOOT SJ-5382					
120	421941306721	CPU+SW WATER LEVEL SENSOR V3 ASSY.					
121	421946507611	BLK HOR.MOUNT.PLATE AC22 ASSY					
122	421946504921	MAIN+SW HIGH END 230V ASSY					
	421946504911	MAIN+SW HIGH END 120V ASSY					
123	421946507761	BLK PWR BOARD COVER AC22					
124	421946507771	BLK REAR PANEL GAGGIA AC22					
125	421946508841	BLK RIGHT PANEL AC22 ASSY	RI9781				
	421946507681	RIGHT PANEL SS 9/28 AC22 ASSY	RI9782				
126	996530006676	BLACK STEEL CASING MYB9 ASSY.					
127	996530007136	BLACK RIGID FOOT FIXING PIN MYB9					
128	996530007156	BLACK/TRANSP.RIGID FOOT MYB9					
129	996530007397	BLACK DUMP BOX PROTECTION MYB9					
130	996530006815	BLACK DUMP BOX MYB9 ASSY.					
131	996530007247	BLK DRIP TRAY COFF.BREW UNIT COVER MYB9					
132	996530071992	BLACK COFFEE UNIT DRIP TRAY V2 MYB9					

IMPORTANT REPAIR INSTRUCTIONS: Only use genuine Gaggia spare parts to replace critical components.

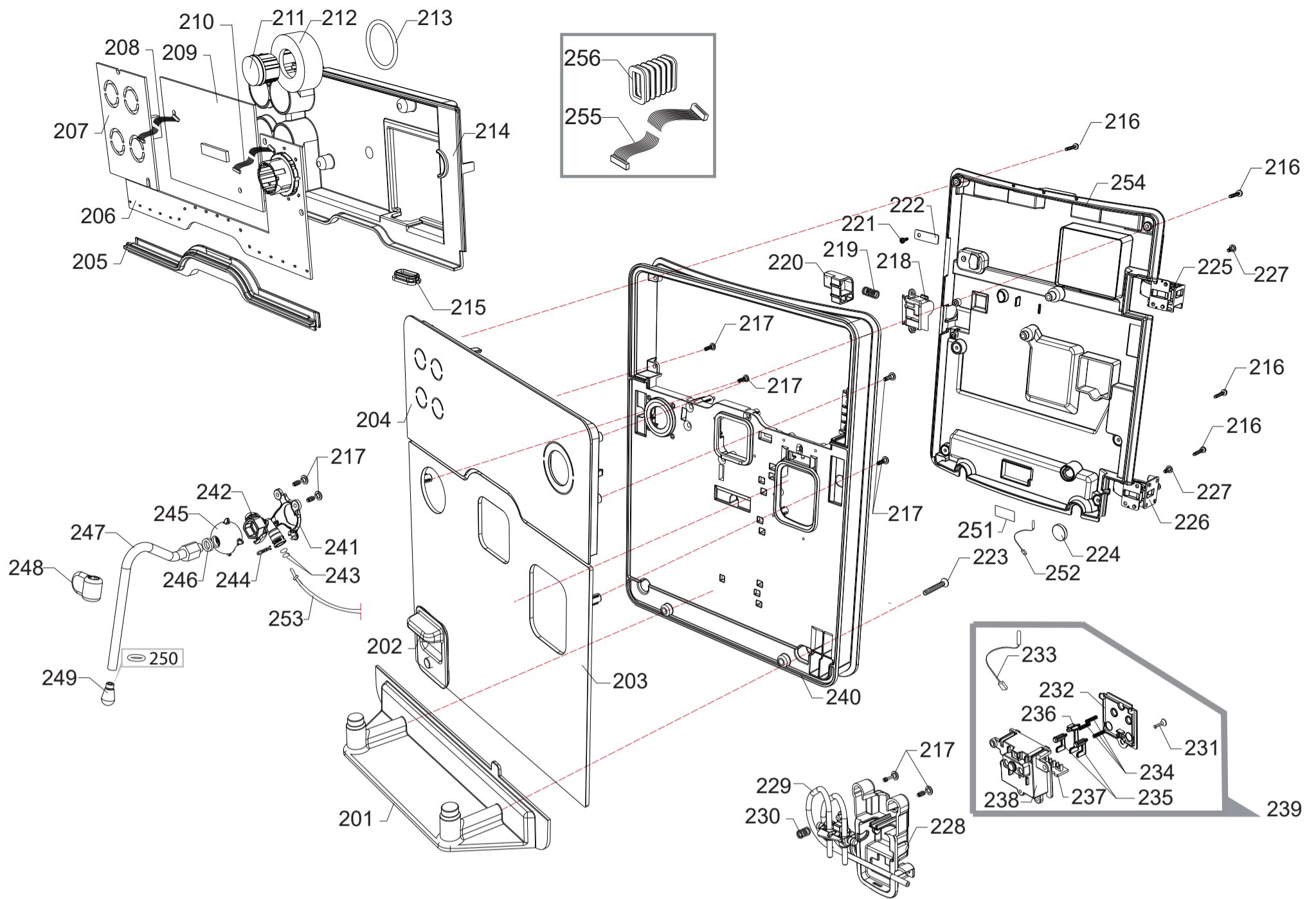
The warranty of your Gaggia product is void if you do not use genuine Gaggia spare parts to repair critical components of your appliance.

The critical components are indicated with a warning triangle ⚠ in the service exploded view and/or service manual.



NEW GAGGIA ACCADEMIA

TABLE 1/8



SUP052

**RI9781/01-46
RI9782/01-46**

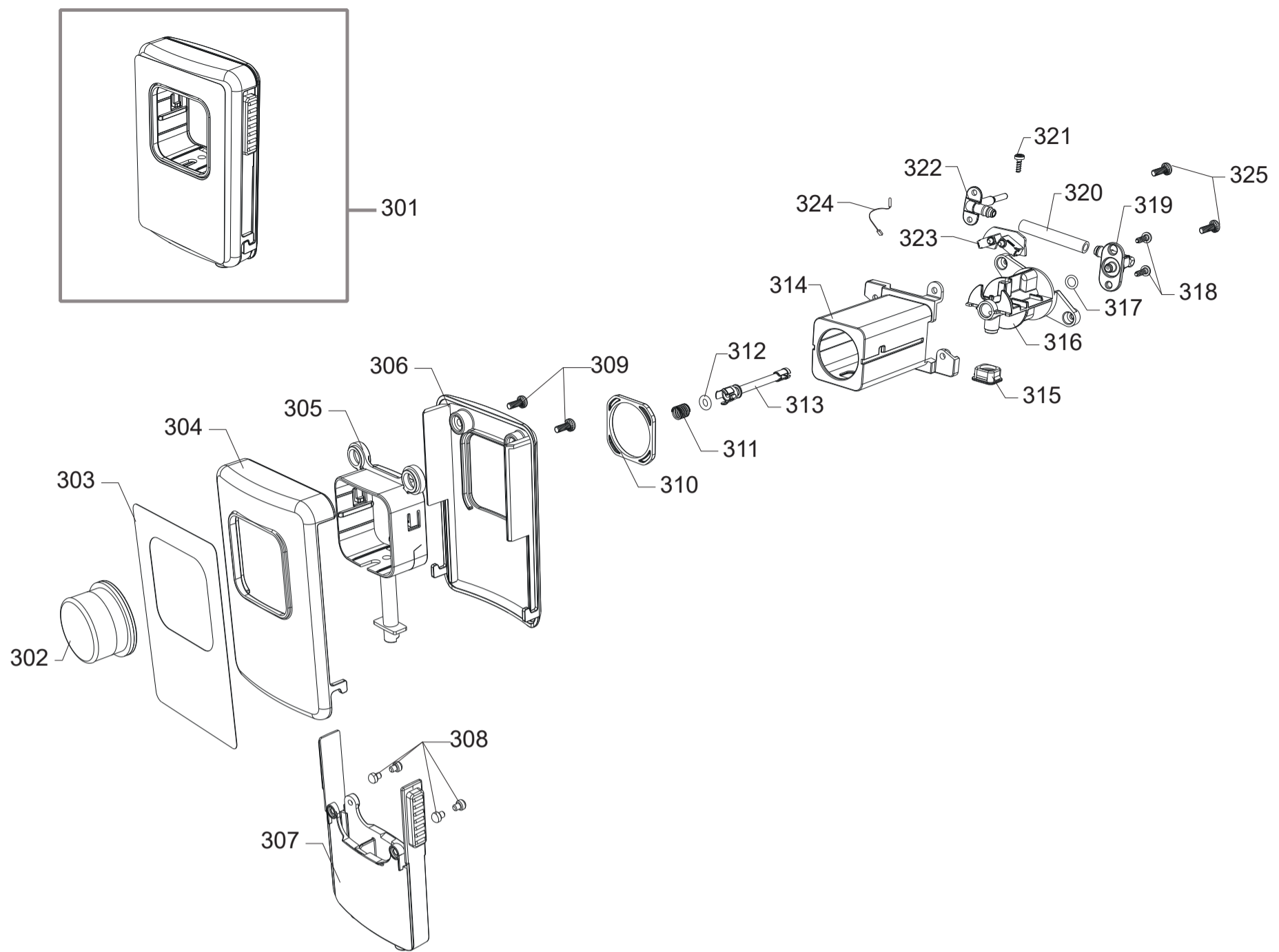


**Cod.886978101010-886978146540
Cod.886978201010-886978246540**

POS	12NC	DESCRIPTION	NOTE	POS	12NC	DESCRIPTION	NOTE
201	421946506891	B/DRIP TRAY SUP. AC22 ASSY		240	421946509151	DOOR FRAME ASSY AC22	
202	421946506941	B/CON.CAP.CARAFE AC22 ASSY		241	421946506531	S/TUBE DOOR FIXING AC22	
203	421946506761	GLASS LOWER PANEL AC22 ASSY	RI9781	242	421946506521	UTPUT S/TUBE CONNECT AC22	
	421946509621	SS9/28 LOW.PANEL AC22 ASSY	RI9782	243	996530013564	OR 2015 IN SILICONE PTFE/FDA	
204	421946506801	F/CA.TFT/ROTARY AC22 ASSY		244	996530048885	SS FORK FOR TUBE D.4	
205	421946506931	RED LED STRIP AC22		245	421946506511	SPHERIC S/TUBE SUPPORT AC22	
206	421946505411	BOARD KNOB HIGH-END		246	996530013445	OR ORM 0080-20 SILICONE PTFE/FDA	
207	421946505441	BOARD KEY_TOUCH HIGH-END		247	421946506481	SS STEAM TUBE AC22 ASSY	
208	421946507971	10P CONN. KEY-TOUCH BOARD FLAT CABLE UL		248	421946506501	B/STEAM TUBE HANDGRIP AC22	
209	421946504871	UI HW+SW HIGH 230V END ASSY		249	421946506491	1 HOLE STEAM SPRAYER AC22	WITH OR
	421946504881	UI HW+SW HIGH 120V END ASSY		250	421946504621	OR D = 5x1,2 MM SILICONE FDA	
210	421946506241	16 POLES FLAT CABLE L=65MM		251	421941306721	CPU+SW WATER LEVEL SENSOR V3 ASSY.	
211	421946506881	ROTARY KNOB BUT.S/SCR AC22		252	996530006636	3P.CONN.WATER LEVEL MYB9 UL	
212	421946506841	SS ROTARY KNOB AC22 ASSY		253	421946509141	WHT TEF.T.2X4 L=610MM ASSY	
213	421940223441	OR ORM 0270-25 FKM VITON 70/80 SH		254	421946508521	S/SCR.BLK COVER.F PANEL AC22	
214	421946506831	BACK COVER TFT/ROTARY AC22		255	421946034791	10P.FLAT CABLE CPU-UI FTR UL	
215	421944025962	YLW WIRING GUIDE SEAL V2 CST/BT		256	421946506551	BELLOW F/CABLES TUBES AC22	
216	996530007953	SCREW TCB TORX 10 3,5X20 PLAST.SS					
217	996530007819	SCREW TCB TORX 10 3,5X12 PLAST.ZN-N					
218	421944085991	BLK COVER BUTTON FOR DOOR REL.V2 MYB9					
219	996530007128	SPRING FOR DOOR RELEASE BUTTON MYB9					
220	421944085961	BLK BUTTON FOR DOOR RELEASE V2 MYB9					
221	996530013156	SCREW TCB TORX 10 3X8 PLAST.ZN-B					
222	996530007207	STEEL PLATE FOR DOOR CLOSURE MYB9					
223	996530008039	SCREW TSP TORX 10 5X35 PLAST.SS					
224	996530009573	BLACK INSIDE COVER FRONT PANEL CAP GMYB					
225	996530009584	ZAMA DOOR UPPER HINGE V2 MYB9					
226	996530009581	DOOR LOWER HINGE V2 MYB9					
227	996530008051	SCREW TCB TORX 20 4X10 PLAST.SS					
228	996530007629	BLACK FRONTAL PANEL INSERT MDS					
229	421946509101	PRF TEF.T CARAFE AC22 ASSY					
230	996530009559	TWO WAY TEFLON TUBES SUPPORT SPRING MYB9					
231	996530007951	SCREW TSP TORX 10 3X10 PLAST.SS					
232	996530006745	BLK CARAFFE BOARD COVER MYB9					
233	421941216721	5P.CONN.MILK CARAFE MDS UL ASSY.					
234	996530009566	SS CARAFE MICRO INSERT SPRING MYB9					
235	421944085181	BLK CARAFE MICRO INSERT V3 MYB9					
236	421944085191	BLK PRESENCE CARAFE MICRO INSERT V3 MYB9					
237	996530006754	MILKCARAFFE BOARD V2 MYB9					
238	996530007602	BLK CARAFFE BOARD SUPPORT V4 MYB9 ASSY.					
239	996530067487	BLK CARAFFE BOARD SUPPORT GEN.MDS ASSY.					



NEW GAGGIA ACCADEMIA



SUP052

RI9781/01-46
RI9782/01-46

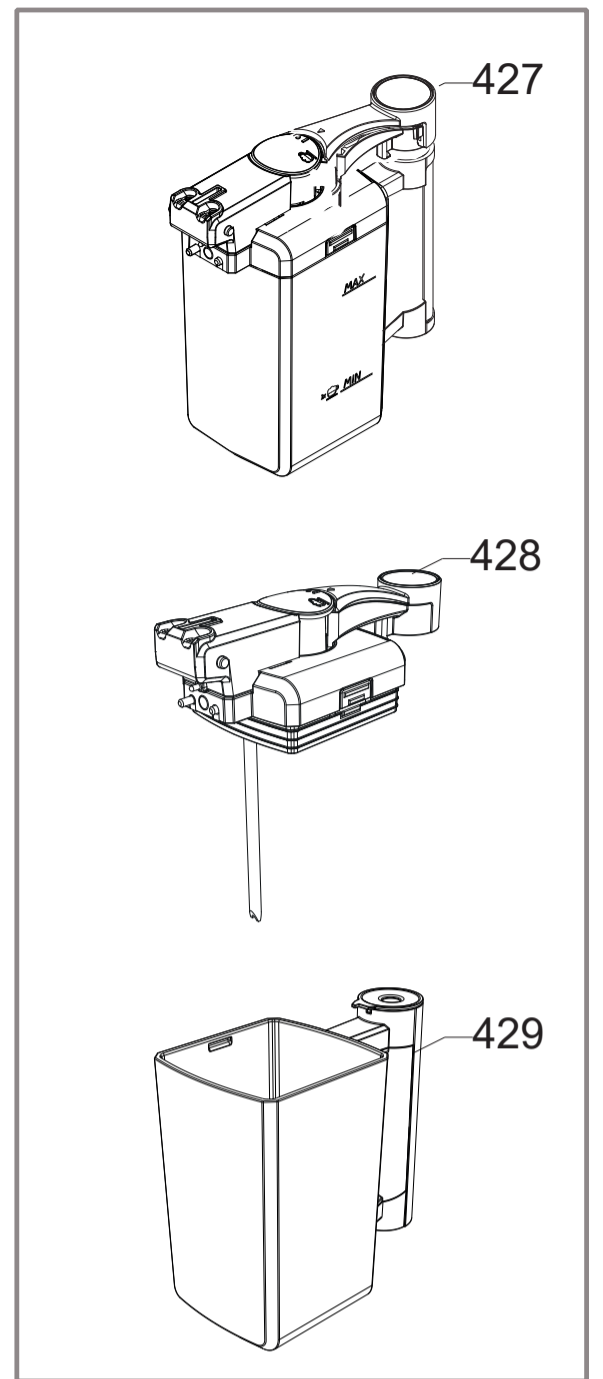
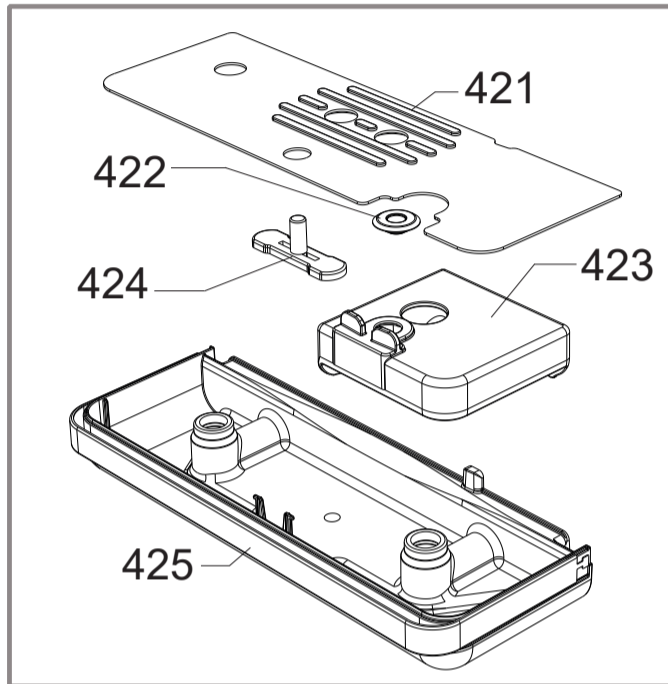
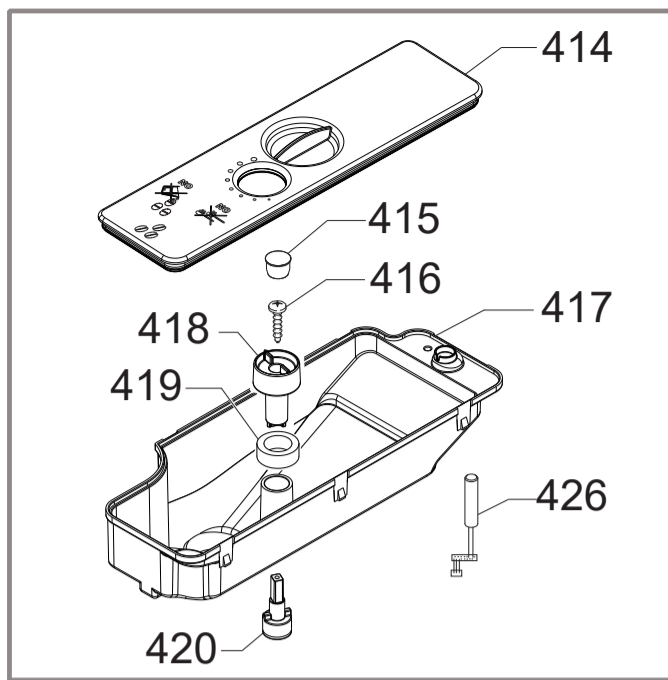
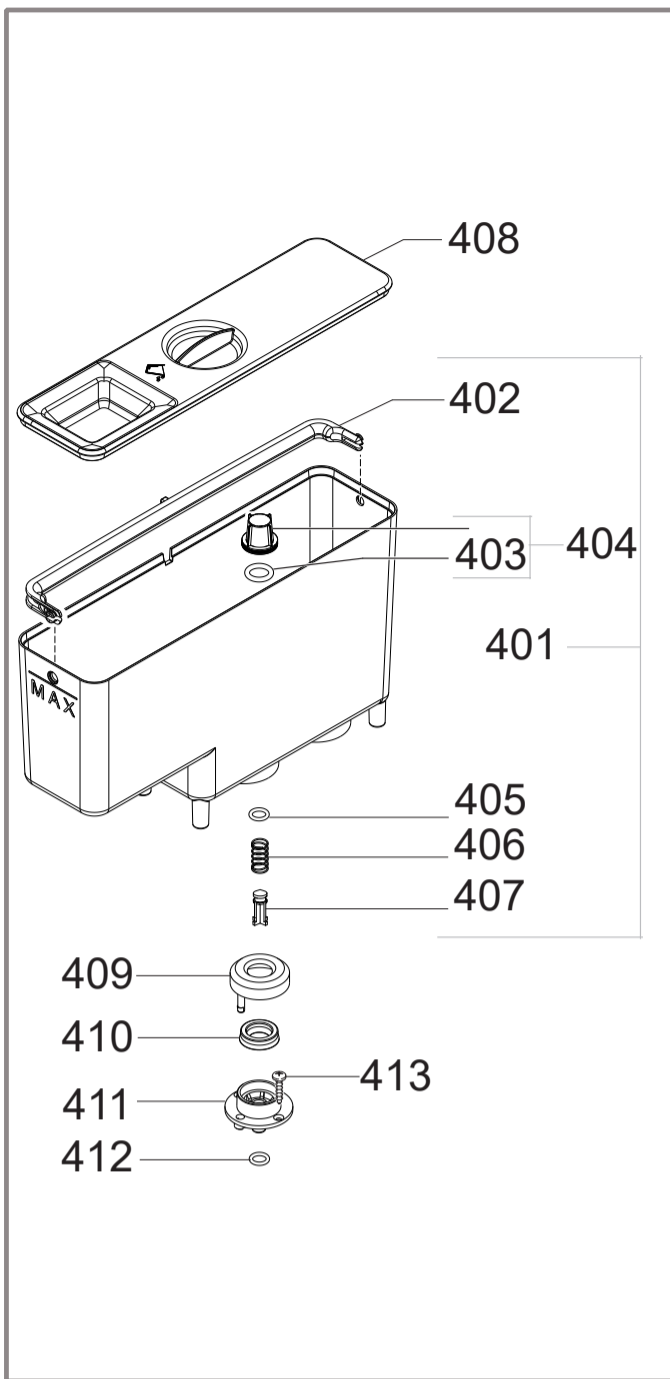


Cod.886978101010-886978146540
Cod.886978201010-886978246540

POS	12NC	DESCRIPTION	NOTE	POS	12NC	DESCRIPTION	NOTE
301	421946506621	CHROME COF.DISPENSER AC22 ASSY					
302	421946507841	SS SBS KNOB AC22 ASSY					
303	421946506631	ADHESIVE LOGO COF.DIS AC22					
304	421946506611	CHROME FRONT C/COF.DIS AC22					
305	421946506581	BLK INNER BODY COF.DIS AC22					
306	996530006579	BLACK REAR COVER COFFEE DISPENSER MYB9					
307	996530006581	BLK COF.DISPENSER EXT.MOBIL.PART MYB9					
308	996530006614	WHT COFFEE DISPENSER SLIDER MYB9					
309	996530012907	SCREW TCB TORX 10 M3X8 AUTOFORMING SS					
310	996530006743	BLACK CREAM ADJUSTMENT KNOB RING MYB9					
311	996530011711	SS CREAM ADJUSTMENT SHAFT SPRING					
312	996530013546	OR ORM 0040-20 BLACK EPDM					
313	996530013621	WHT COFFEE CREAM ADJUSTMENT SHAFT					
314	421946507831	BLK COF.DISPENSER SUP.AC22					
315	421944057391	BLK COF.DISPENS.SEAL V2 MYB9					
316	421946507741	BLK COF/DISPENSER TUBE AC22					
317	996530007732	OR ORM 0060-15 SILICONE					
318	996530007819	SCREW TCB TORX 10 3,5X12 PLAST.ZN-N					
319	421944085221	BLK COFFEE DISPENSER CONNECTOR V2 GMYB					
320	996530018269	SILICONE TUBE 5X8 70SH	IN ROLL				
321	421944080591	SCREW TCB TORX 10 3X8 PLAST.ZN-N					
322	421944085231	BLK DISPENSER COFF.INLET CONNECT.V2 GMYB					
323	421946505431	BOARD SBS HIGH-END					
324	421946507211	4P.CONN. SBS BOARD NHE					
325	996530007953	SCREW TCB TORX 10 3,5X20 PLAST.SS					



NEW GAGGIA ACCADEMIA



SUP052

**RI9781/01-46
RI9782/01-46**

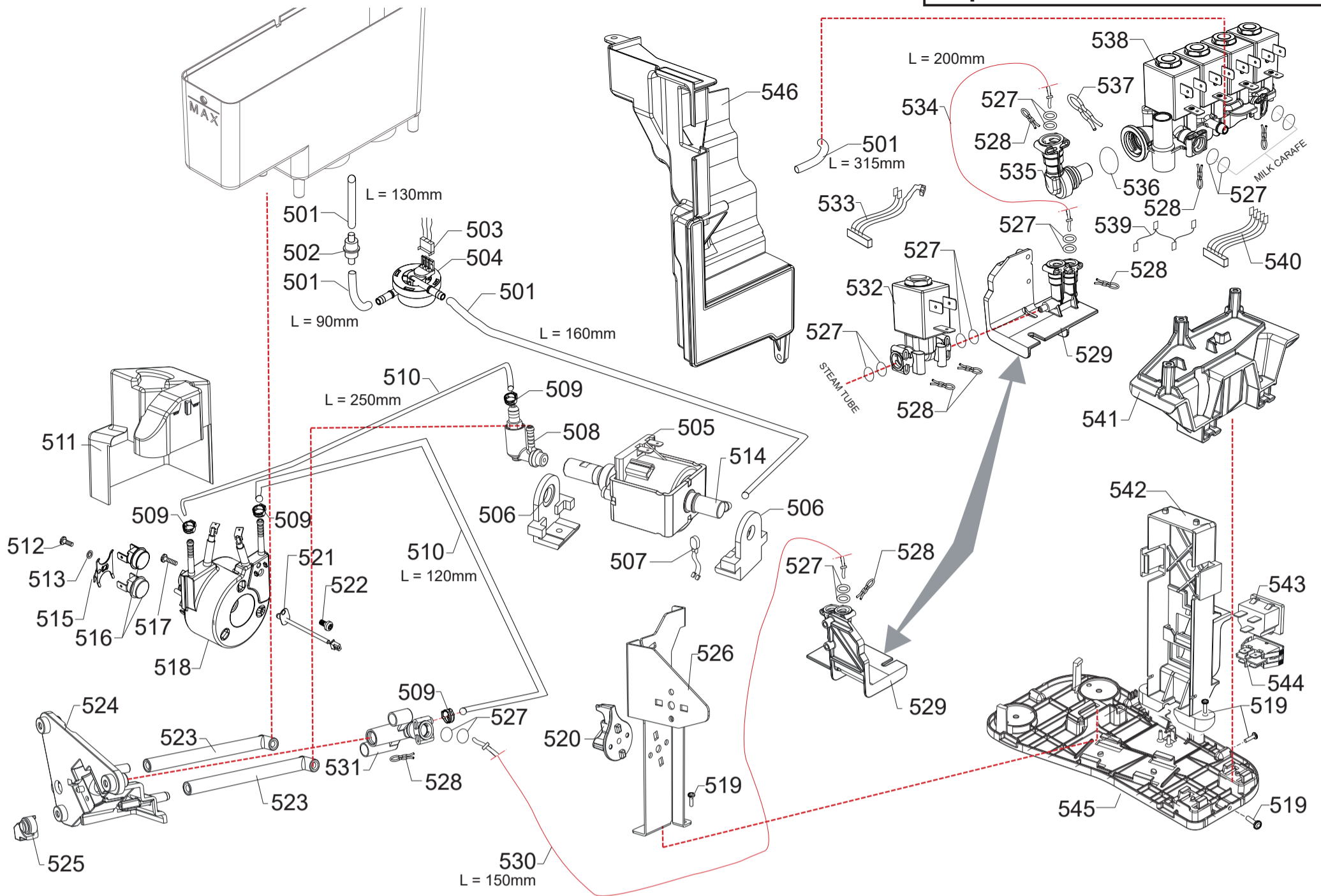


**Cod.886978101010-886978146540
Cod.886978201010-886978246540**

POS	12NC	DESCRIPTION	NOTE	POS	12NC	DESCRIPTION	NOTE
401	996530006692	NAT/GREY WATER CONTAINER MYB9 ASSY.					
402	996530006509	BLACK HANDLE WATER CONTAINER LID MYB9					
403	996530013571	OR ORM 0190-10 EPDM					
404	996530029115	WHITE WATER CONTAINER EXT.FILTER ASSY.					
405	996530013507	OR ORM 0060-30 SILICONE					
406	996530011626	SS WATER CONTAINER VALVE SPRING					
407	421941089692	GREY WATER VALVE V2 CONTAINER PISTON					
408	996530006507	NAT GREY WATER CONTAINER LID N S SC.MYB9					
409	996530044417	GREY WATER VALVE GACO DIM 14 SEAL COVER					
410	996530015823	NBR WATER CONT.VALVE GACO DIM14 SEAL					
411	996530044404	GREY WATER VALVE GACO DIM 14 SEAL CONT.					
412	996530013446	OR ORM 0080-20 TERMOIL					
413	996530012898	SCREW TSP TORX 10 AB 3,5X9,5 SHEET SS					
414	996530066734	NAT/GREY BEAN COFF.CONT.LID V2 MYB9 ASSY					
415	996530018116	GREY CAP FOR KNOBS BEAN CONTAINER					
416	996530013164	SCREW TCB TORX 10 3X12 PLAST.ZN-B					
417	996530066733	BLACK BEAN CONTAINER V2 MYB9					
418	996530006551	BLACK GRIND.ADJUSTMENT KNOB MBY9					
419	996530007398	GREY GRIND.ADJUSTMENT KNOB WASHER MYB9					
420	996530016123	BLK INSERT GRIND.ADJUSTMENT KNOB SMART1					
421	421946506671	SS DRIP TRAY GRATE AC22					
422	996530066732	BLACK GRATE SEAL V3 MYB9/H-P					
423	421946506691	BLACK DRIP TRAY COVER AC22					
424	421941304791	RED/3003 FLOAT FOR DRIP TRAY XSM					
425	421946506641	BLK DRIP TRAY AC22 ASSY					
426	421946506251	4 POLES CONN. 1 REED 1 MICRO UL ASSY					
427	421946508021	BLACK CARAFE AC22 ASSY					
428	421946509811	KIT SPARE CARAFE UPPER PART ACC22					
429	421946509821	KIT SPARE CARAFE & HANDLE ACC22					



NEW GAGGIA ACCADEMIA



SUP052

**RI9781/01-46
RI9782/01-46**



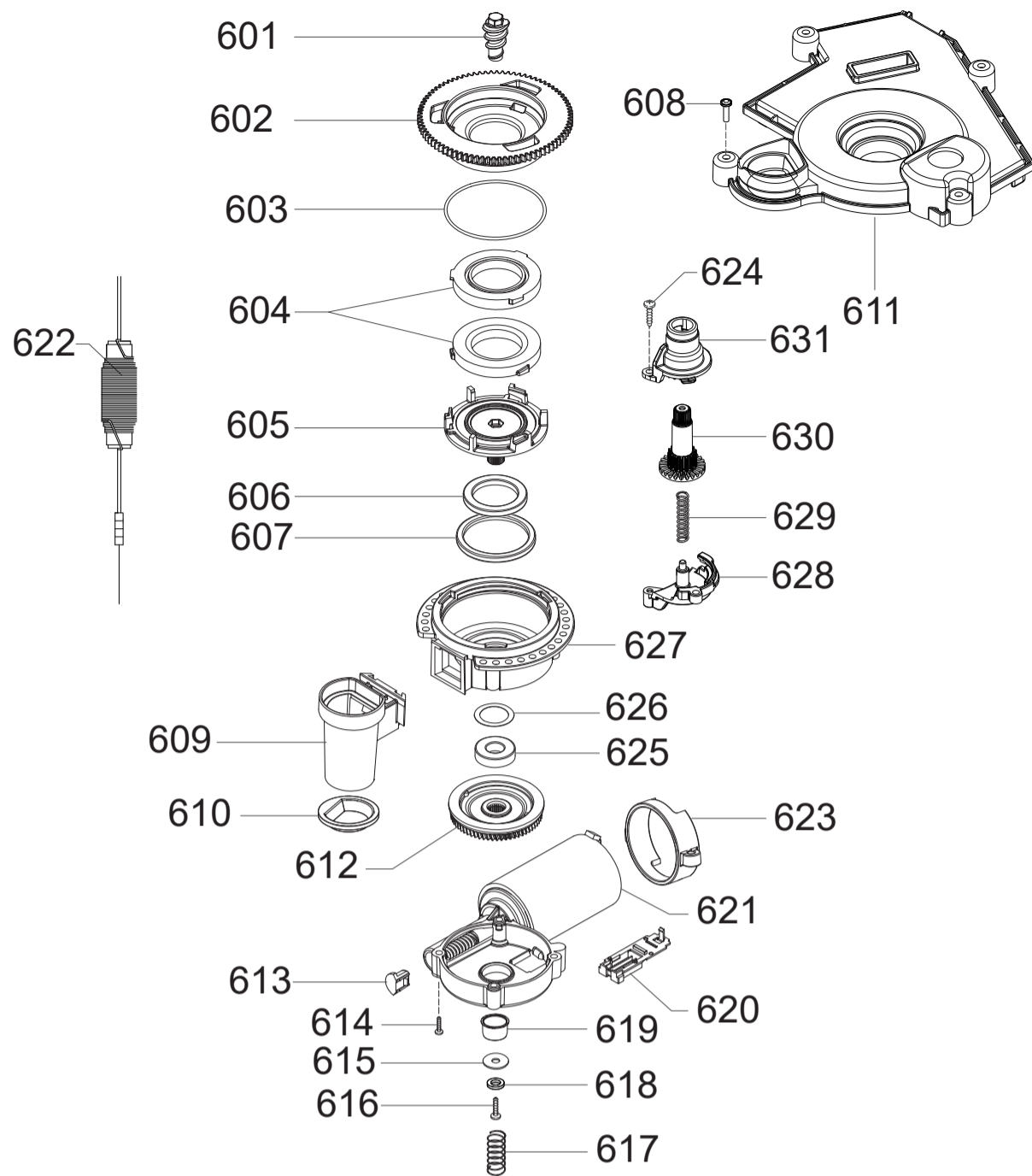
**Cod.886978101010-886978146540
Cod.886978201010-886978246540**

POS	12NC	DESCRIPTION	NOTE	POS	12NC	DESCRIPTION	NOTE
501	996530002093	SILICONE TUBE 5X10 60SH L EQUAL 1000 MM		540	421945028921	5P.CONN.4ELECTROV.FTR2/B UL ASSY	
502	996530067498	TRANSP/WHT ASPIRATION FILTER MDS		541	421946506451	MULTIVALVE SUPPORT AC22	
503	421946505861	3 POLES CONN. FLOWMETER NHE UL ASSY		542	421946506541	BLK SOCKET-SWITCH SUP AC22	
504	996530007887	TURBINE D=1,2 932-8521/90 ASSY.		543	996530072437	CUP SOCKET V3 EN 60320 C 13	
505	421941305991	ULKA PUMP EP5FMGW 230V-50HZ		544	421946509331	KIT SWI ROCK+wirings AC22 230V	230V
	421944081531	ULKA PUMP EFP5/S 120V-60HZ			421946509711	KIT SWI ROCK+wirings AC22 120V	120V
506	996530007468	BLACK PUMP SUPPORT GMYB		545	421946507721	BLK COMPONENTS SUPPORT AC22	
507	996530006607	2POLES CONNECTOR COFFEE PUMP MYB9 UL		546	421946507591	BLK DIF/PROTC VALVE AC22.ASSY	
508	996530068178	L-F/BR.SAFETY VALVE 16-18 BAR ASSY.			421944079601	GEN.TUB.BOILER FTR/B ASSY	1900W 230V
509	996530007742	OETIKER CLAMP D EQUALS 9 5 15400022			421944069101	GEN.TUB.BOILER V2 XS4 ASSY	1300W 120V
510	996530009505	PINK 5X8,9 SILICONE TUBE	IN ROLL				
511	421946506591	BLK COVER BOILER AC22					
512	996530069758	SCREW TCB TORX 20 M4X8 AUTOFORMING ZN-B					
513	996530012341	GALV.WASHER UNI 8842 A4					
514	996530017348	90° INLET PUMP CONNECTOR					
515	996530000997	TUB.BOILER V3 UPPER THERM.FIXING SPRING					
516	262279998757	THERMOSTAT OPEN/CLOSE 190/-35DEGC B					
517	996530008024	SCREW TSP TORX 10 5X20 PLAST.ZN-B					
518	421944028841	TUB.BOILER XS4 ASSY.	1900W 230V				
	421944046121	TUB.BOILER XS4 ASSY.	1300W 120V				
519	996530007819	SCREW TCB TORX 10 3,5X12 PLAST.ZN-N					
520	421946507751	B/TUB.BOILER SUPPORT AC22					
521	996530026997	TEMPERATURE SENSOR NTC UL L=280MM					
522	996530069758	SCREW TCB TORX 20 M4X8 AUTOFORMING ZN-B					
523	996530006375	WATER DRAIN CONNECTOR MYB9					
524	421946507581	B/BLOWDOWN VALVE SUP AC22					
525	996530006796	BLACK MOUNTING PLATE COVER SEAL MYB9					
526	996530067888	STEEL SLIM TUB.BOILER SUPPORT MYB9					
527	996530013564	OR 2015 IN SILICONE PTFE/FDA					
528	996530048885	SS FORK FOR TUBE D.4					
529	421946506441	CON/BOILER PIN-VALVES AC22					
530	996530073864	TEFLON TUBE 2X4 L=150 MM ASSY					
531	421946506431	PIN BOILER FAST CONNECT AC22					
532	421944090341	2WAY PLASTIC VALVE D2 24V R2A					
533	421946506261	6P CONN. 1 ELECTROV. + CUP WARM 24V					
534	996530051521	TEFLON TUBE ASS. 4X2 L.200 7-7					
535	421945018231	CONNECTOR FAST LOCK 90 STLR					
536	421940219621	OR 2031 SILICONE FDA					
537	996530002744	SS FORK SPRING FOR BLOWDOWN VALVE P0049					
538	421946509171	EV GENERAL ASSEMBLY AC22					
539	421945015172	3 WIR.CAB.JUMP.GROUP VAL.COM V2 STLR U					



NEW GAGGIA ACCADEMIA

TABLE 5/8



SUP052

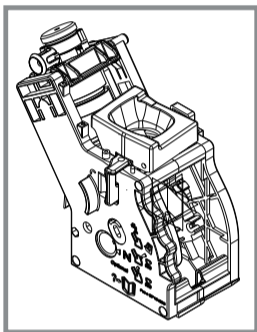
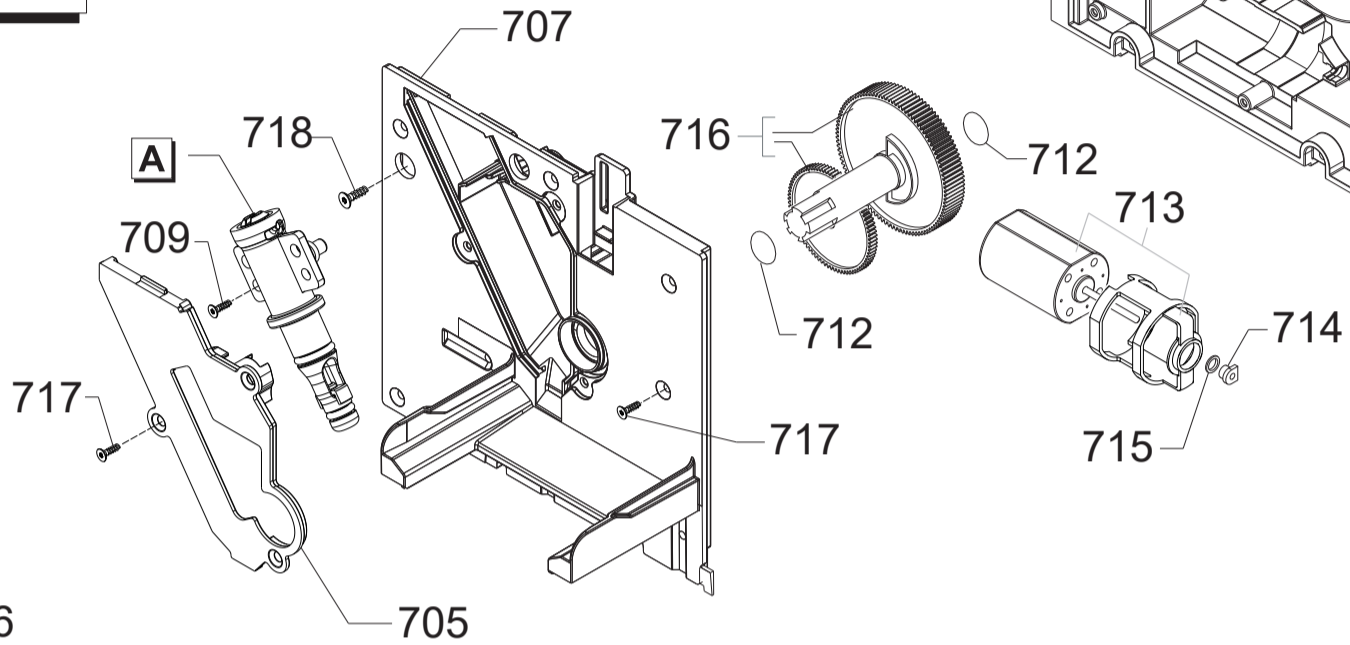
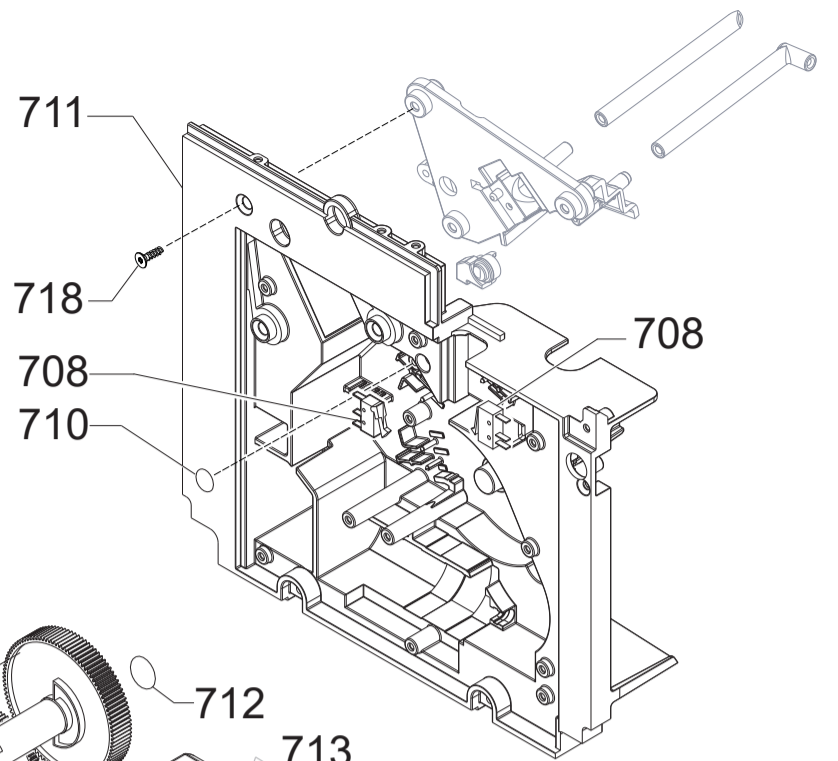
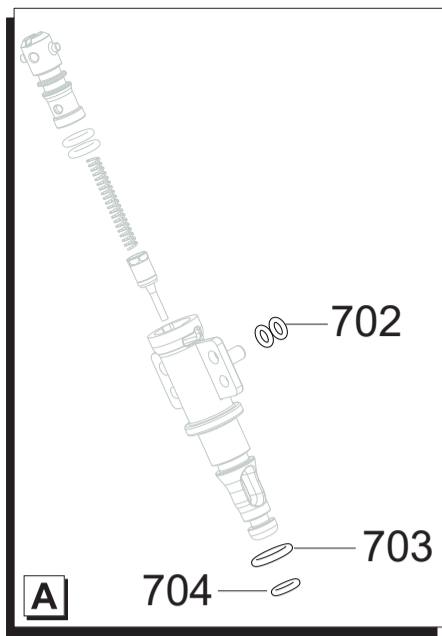
**RI9781/01-46
RI9782/01-46**



**Cod.886978101010-886978146540
Cod.886978201010-886978246540**

POS	12NC	DESCRIPTION	NOTE	POS	12NC	DESCRIPTION	NOTE
601	421944032693	GRIVORY INCREASE SCREW GRINDER V3					
602	421941094152	BLK COF.GRINDER UPPER GRINDER SUPPORT V2					
603	996530013577	OR ORM 0530-15 NBR FDA					
604	996530016342	BAKED CLAY GRINDER 48X28					
605	996530017952	BLK LOWER COFFEEGRINDER GRINDER SUPPORT					
606	996530011183	AXIAL BEARING EKKO 342.35252					
607	996530013597	FELT RING 45,4X39,4X4					
608	996530007819	SCREW TCB TORX 10 3,5X12 PLAST.ZN-N					
609	421941230122	BLK GROUND COFF.OUTLET CONV. V2 ASSY.					
610	996530072511	GRY GROUND COFFEE CONT.LOWER SEAL SMART1					
611	421941203632	BLK COF.GRIND.SOUNDP.V2 MYB9					
612	421945006091	GRY GEAR SX Z=38 FOR GRINDER MOTION					
613	996530018139	MC V3 MOD=1,25 WORM SCREW CENTRING CAP					
614	996530012992	SCREW TCB TORX 3,5X30 PLAST.ZN-B					
615	996530012375	STEEL FLAT WASHER DI=4,3 DE=14 SP=1,5					
616	996530012928	SCREW TCB TORX 20 M4X30 ZN-B					
617	996530000376	STEEL COF.GRINDER SUPPORT SPRING P124					
618	996530012341	GALV.WASHER UNI 8842 A4					
619	421941154362	INSULATOR BUSH V2 FOR GRINDER MOTOR					
620	996530017963	BLK SENSOR SUPPORT FOR COF.GRINDER MOTOR					
621	421944078831	MOTOR COFFEEGRINDER V3.2 DOMEL ASSY	230V				
	421944084071	MOTOR COFFEEGRINDER V3.2 WZN ASSY	120V				
622	421946035831	2 POLES CONN. GRINDER MOTOR FTR UL					
623	421941142172	BLK COFFEEGRINDER MOTOR SUPP.P124 V2					
624	996530013165	SCREW TCB TORX 10 3,5X16 PLAST.ZN-B					
625	996530011182	RADIAL BEARING 61900.2RS1					
626	996530012374	STEEL CRINKLE WASHER 21,8X14X0,25					
627	421941082802	BLK UPPER BODY WITH COFFEE GROUND OUT.V2					
628	996530017976	LOWER GEAR SUPPORT COFFEEGRINDER SMART					
629	996530011715	SPRING FOR ADJUSTMENT GRINDING GEAR					
630	996530016264	COFFEE GRINDING ADJUSTMENT GEAR SMART					
631	996530017975	UPPER GEAR SUPPORT COFFEEGRINDER SMART					
	421946508411	GEN.COF.GRINDER MOTOR AC22 ASSY.	230V				
	421946508421	GEN.COF.GRINDER MOTOR AC22 ASSY.	120V				





SUP052

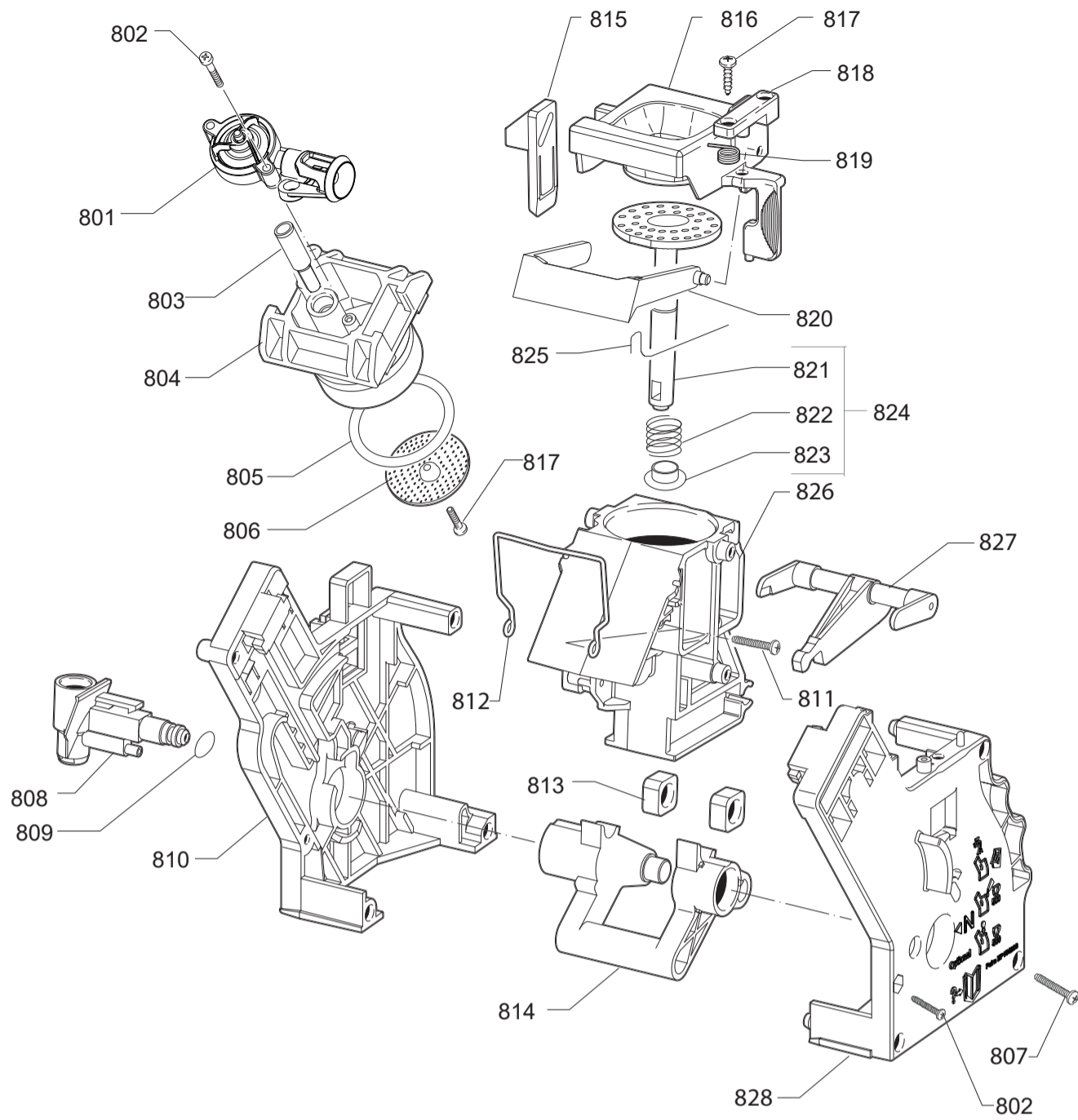
**RI9781/01-46
RI9782/01-46**



**Cod.886978101010-886978146540
Cod.886978201010-886978246540**

POS	12NC	DESCRIPTION	NOTE	POS	12NC	DESCRIPTION	NOTE
701	421945045521	PIN FOR BOILER OMN ASSY V3					
702	996530013564	OR 2015 SILICONE PTFE/FDA					
703	421945039071	OR ORM 0090-20 RED MG8037R70P					
704	996530059419	OR ORM 0050-20 IN SILICONE					
705	996530005403	BLACK COVER FOR BOILER VAIN P119 UL					
706	421946508511	BLK/YLW BREW UNIT 8GR.SBS AC22					
707	421946506561	BLK COV. MOUNT.PLATE AC22					
708	421946046501	MICRO+REED+MOTOR BREWUNIT V9 MYB9 UL AS.					
709	996530013147	SCREW TCBR TORX 10 3,5X14 PLAST.ZN-N					
710	996530013526	OR ORM 0070-20 SILICONE					
711	421941264282	BLK MOUNT.PLATE WITH PIN V3 P119 UL ASSY					
712	996530050569	MYLAR WASHER FOR RATIOMOTOR					
713	996530002796	MOTOR FOR RATIOMOTOR P124 ASSY.					
714	996530049898	BRONZE SINTERED BUSH FOR MOTOR RATIOMOT.					
715	996530017424	BAKELIZZATE WASHER D=5,5					
716	996530009913	SPARES KIT GEARS FOR RATIOMOTOR V2					
717	421944016781	SCREW TSP TORX 10 3,5X14 PLAST.ZN-NI					
718	996530008024	SCREW TSP TORX 10 5X20 PLAST.ZN-B					





SUP052

**RI9781/01-46
RI9782/01-46**



**Cod.886978101010-886978146540
Cod.886978201010-886978246540**

POS	12NC	DESCRIPTION	NOTE	POS	12NC	DESCRIPTION	NOTE
801	996530005823	SBS VALVE STD ASSY.					
802	996530007838	SCREW TCB TORX 10 3X25 PLAST.SS					
803	421944079291	BLK BREW UN.COUNTER PISTON TUBE V2 S0053					
804	421944079991	BLK BREW UNIT 8GR.COUNTER PISTON V2 P124					
805	996530059406	OR ORM 0320-40 SILICONE PTFE/FDA					
806	421945025332	PERCOLATOR DE=35,8 V2					
807	996530007953	SCREW TCB TORX 10 3,5X20 PLAST.SS					
808	421944050641	BREW UN.WATER INLET SLEEVE V2 SMR					
809	996530059441	OR 2025 IN TERMOIL					
810	996530050832	BLACK BREW UNIT REAR PLATE SMART					
811	996530013148	SCREW TCB TORX 10 3,5X14 PLAST.SS					
812	421944025811	SS BREW UNIT SPRING H=49 SMART					
813	996530050539	BLACK BREW UNIT DRILLED BLOCK					
814	421944079201	YLW BREW UNIT ELBOW SHAFT V2 M5000					
815	421944046932	YLW BREW UNIT COUPLING PLATE V3 SMART					
816	421941095982	BLK BREW UNIT V3 SMART1 HOPPER DOSER					
817	996530007951	SCREW TSP TORX 10 3X10 PLAST.SS					
818	996530050829	BLK BREWUNIT HOPPER BLOCKING PLATE SMART					
819	996530050838	SS HOPPER SPRING FOR BREW UNIT SMART					
820	421944079261	BLK BREW UNIT SCRAPER V2 M5000					
821	421944079491	GRY BREW UNIT INTEGR.PISTON 8GR.V4 ASSY					
822	996530050627	SS.8GR.BREW UNIT PISTON SPRING					
823	996530050618	WHITE 8GR.-12GR.BREW UNIT PISTON BUSH					
824	421944065811	GRY BREW UNIT 8GR.INT.PISTON GEN.V3 ASSY					
825	996530050455	SS SCRAPER SPRING FOR BREW UNIT					
826	421944079431	BLK COF.CONTAIN.BREW UNIT V4 M5000 ASSY					
827	996530001452	BLACK CONNECTING ROD BREW UNIT 8GR.					
828	996530003228	BLACK BREW UNIT FRONT PLATE S/SCR.SMART					
	421946508511	BLK/YLW BREW UNIT 8GR.SBS AC22					

