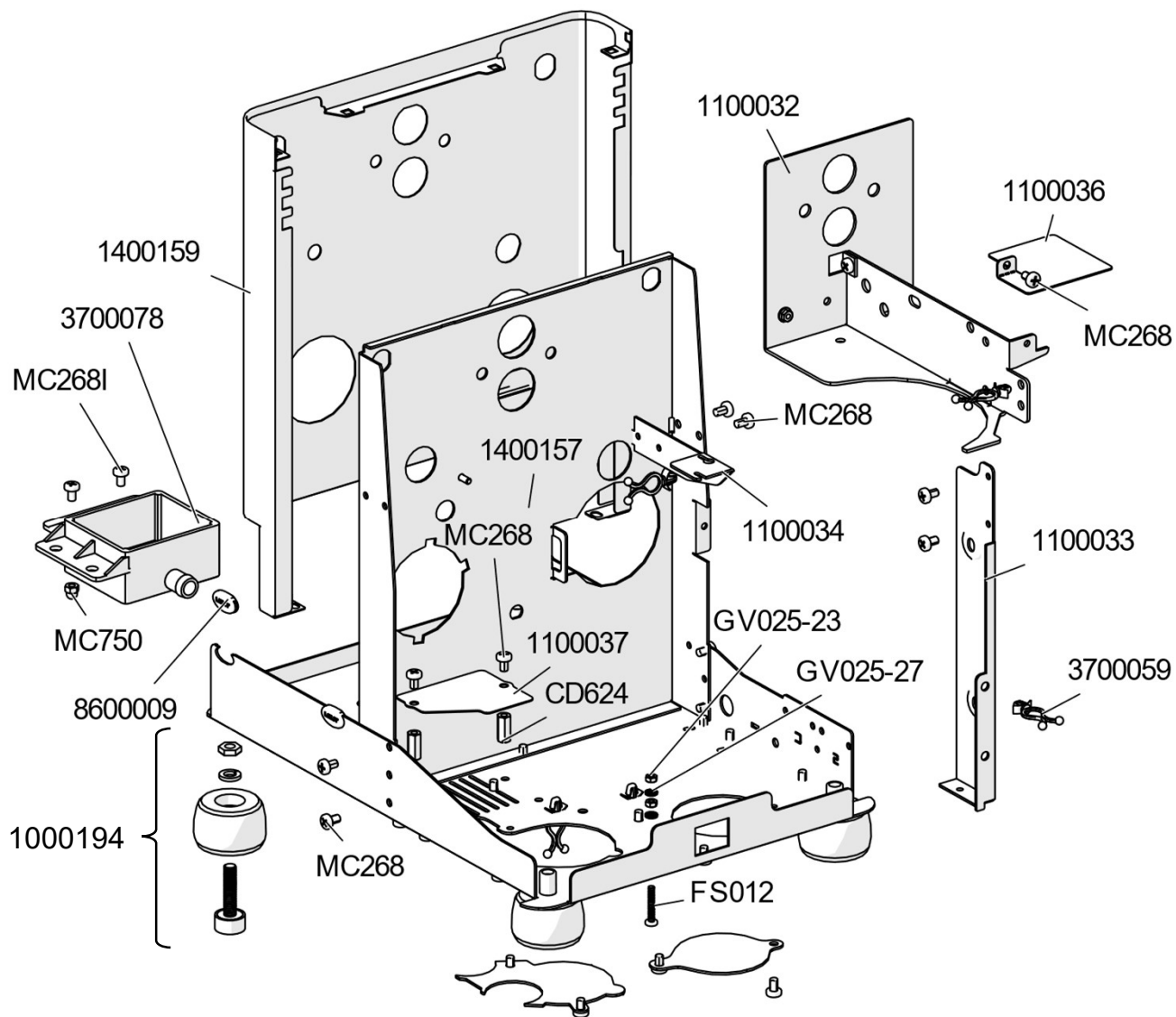


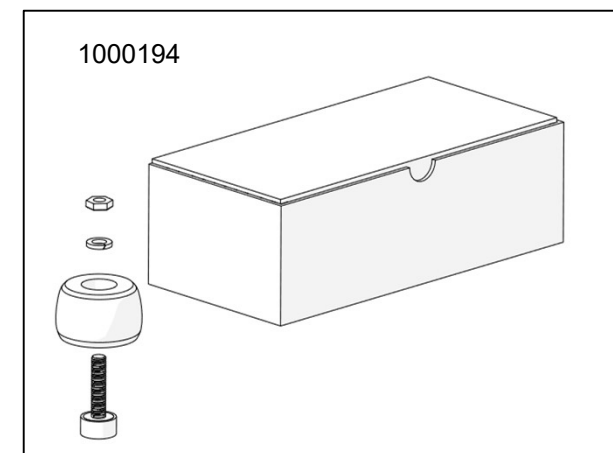
Bianca PL162T-120

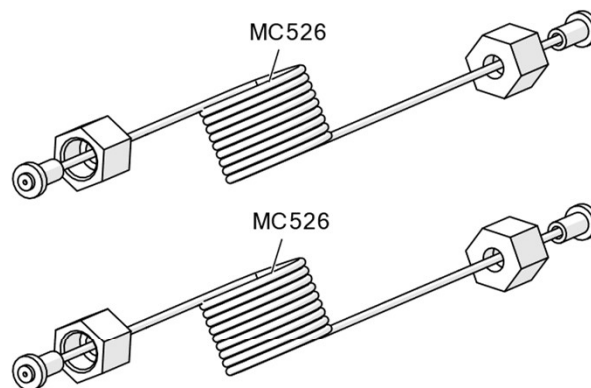
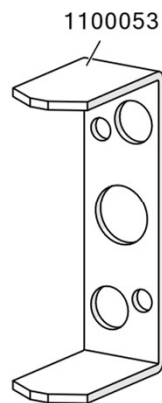
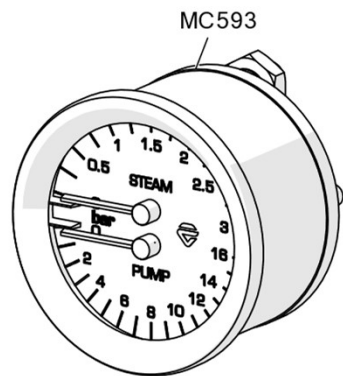
Technical Documentation

COD. 5200020TC



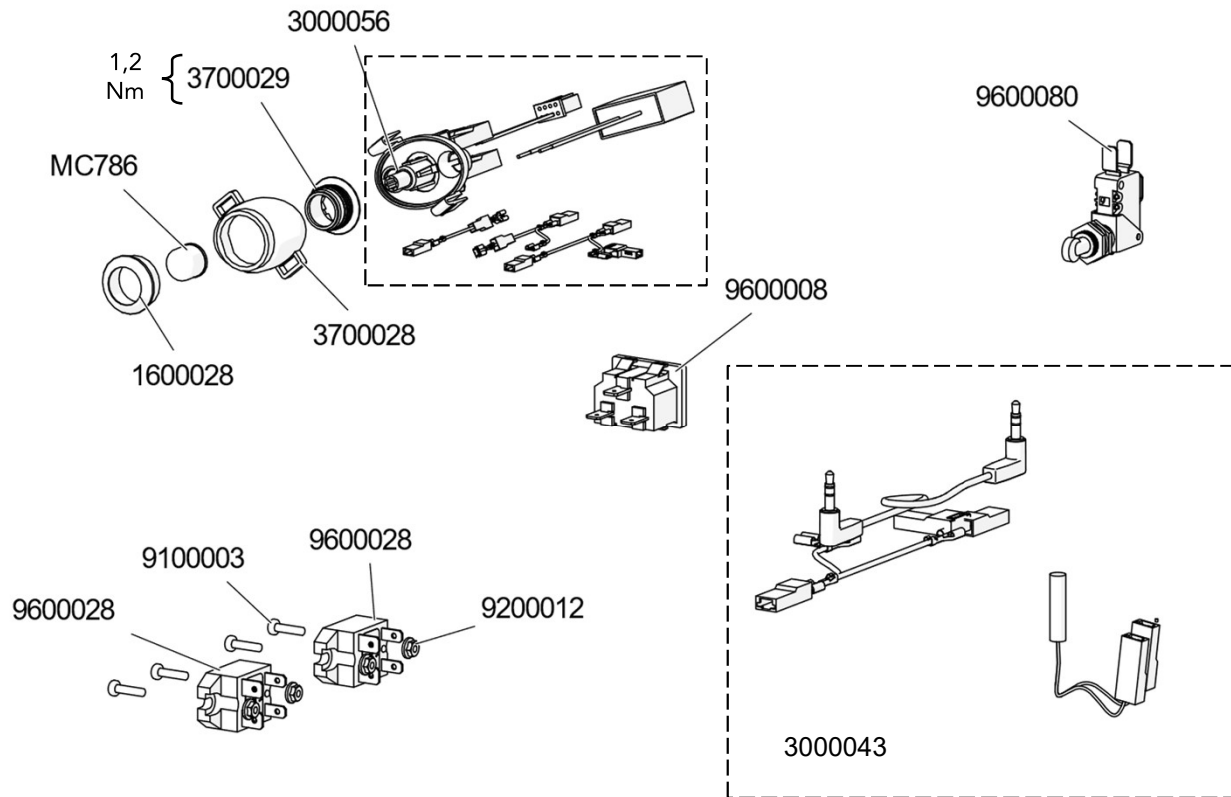
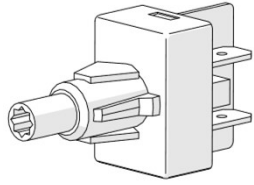
CODE	DESCRIPTION
1000194	WALNUT WD FOOT M8
1100032	STEAM BOILER UPHOLDER
1100033	STEAM BOILER RISER
1100034	SOLENOID VALVE SUPPORT
1100036	COVER FOR ELECTRONIC CARD
1100037	BUTTONHOLE COVER PLAQUE
1400157	VERTICAL PLANE
1400159	FRONT PANNEL
3700059	CLIPS WITH COUPLING
3700078	WATER DISCHARGE TRAY
8600009	RUBBER SPACER
CD624	BOILER FIXING SPACER
FS012	SCREW M4*25
GV025-23	NUT 4MA 5588 ZNB
GV025-27	WASHER D4 UNI8842
MC268	SCREW M5x8
MC268I	SCREW 5x8 IN STAINLESS STEEL
MC750	BLIND NUT M5 F/BOILER





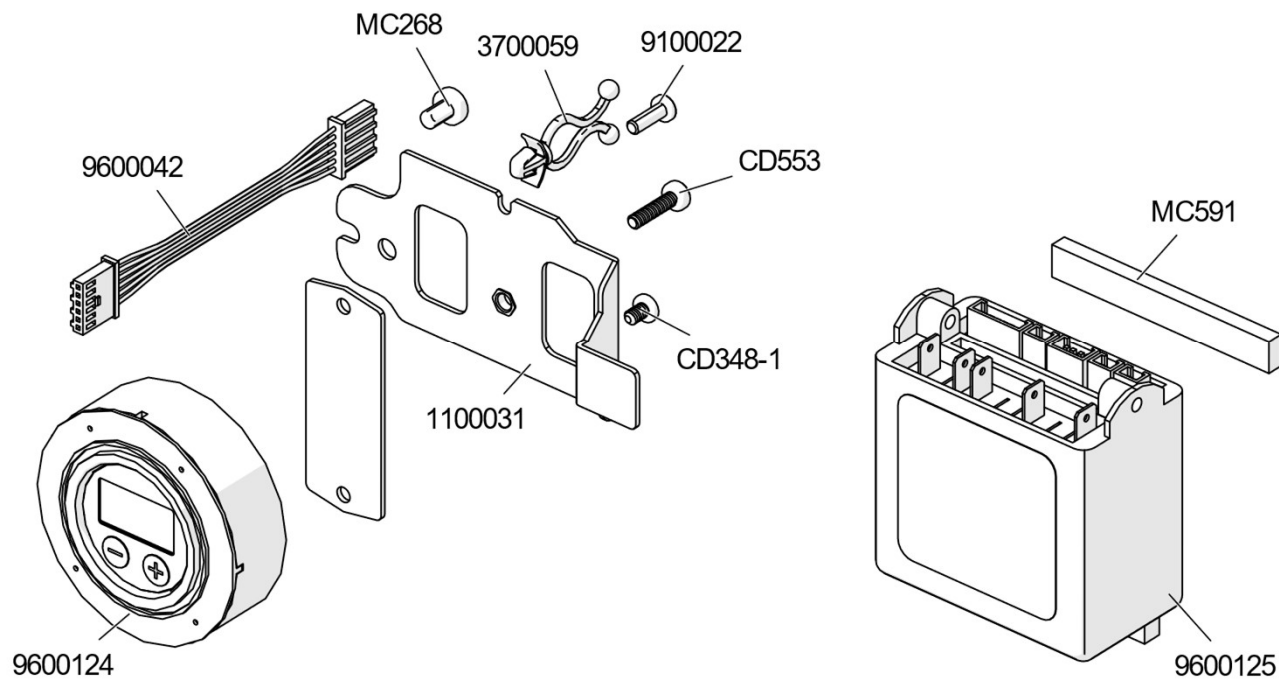
CODE	DESCRIPTION
1100053	BRACKET FOR FIXING THE MANOMETER
MC526	CAPILLARY I.800
MC593	DOUBLE MANOMETER FOR PUMP/STEAM PRESSURE

CODE: MC130

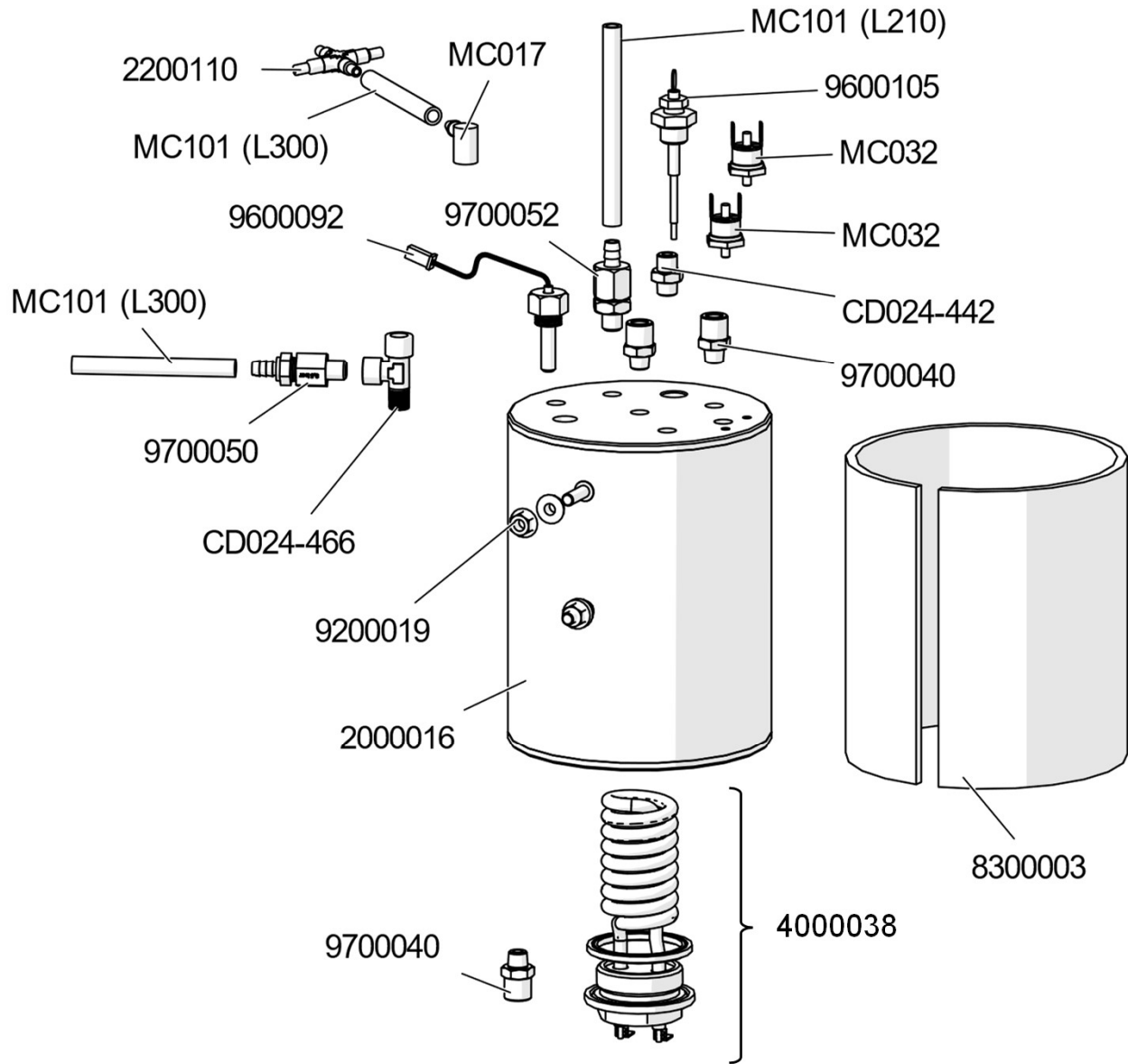


CODE	DESCRIPTION
1600028	SUPPORT FOR BACK LIT SWITCH
3000043	WIRING FOR PL162T TANK
3000056	WIRING PL162T 3.0
3700028	SUPPORT BOX FOR LIGHTED SWITCH
3700029	OPALESCENT INSERT
9100003	SCREW TCBIC M3x12 UNI7687 4.8 (ZB)
9200012	NUT M3 DIN6923 ZB INOX
9600008	IEC PANEL SOCKET 10A250V 2P+T. F.F.6.3X0.8
9600028	RELE' 9-18V
9600080	MICROSWITCH FOR L58E GROUP
MC130	BIPOLAR SWITCH
MC786	STAINLESS STEEL SWITCH COVER

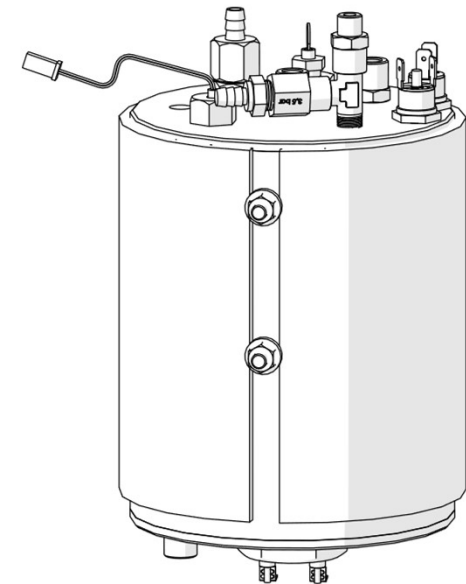
ATTENTION! As indicated in the parts diagram, the code 3700029 must be screw at 1,2 Nm!

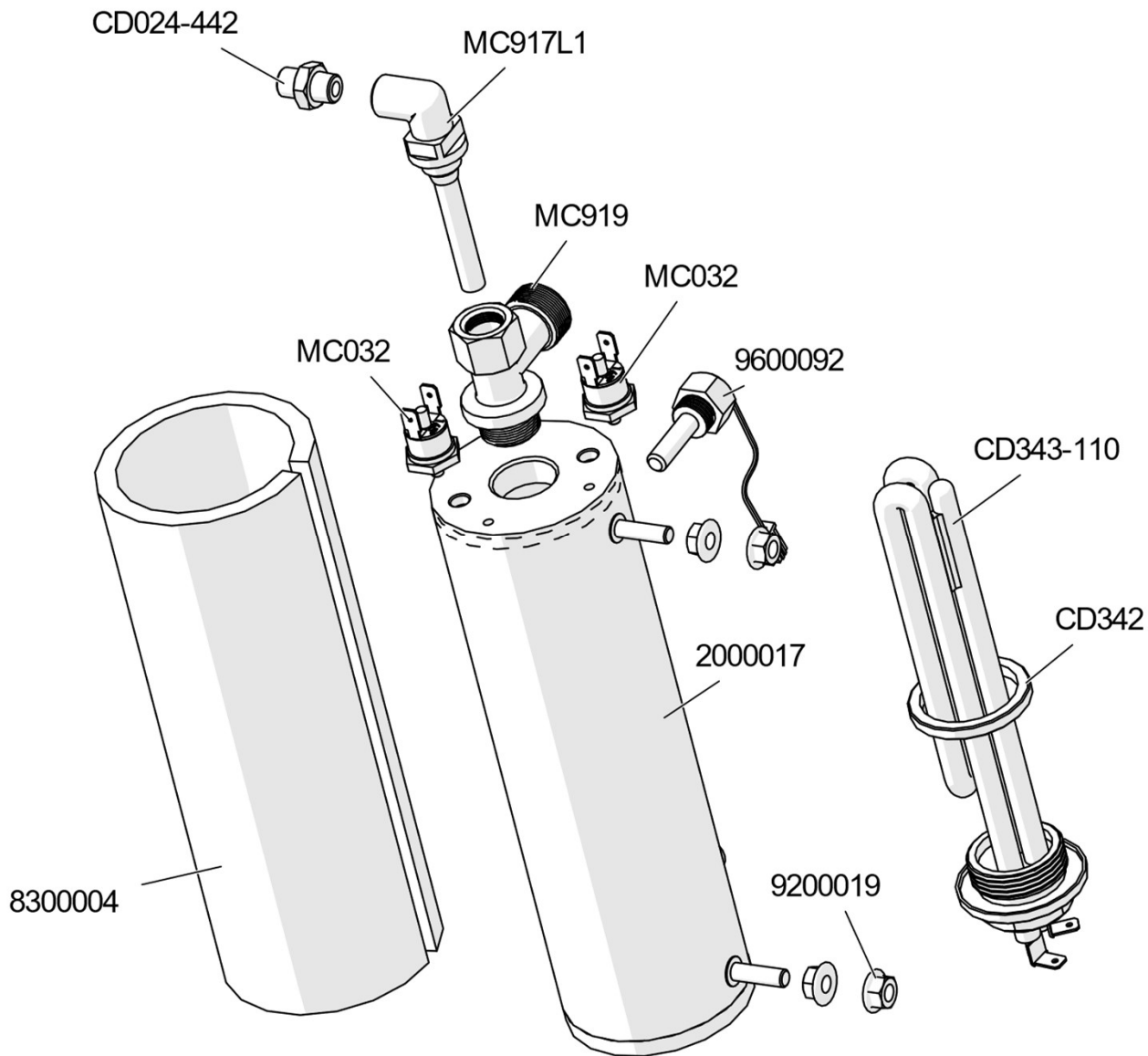


CODE	DESCRIPTION
1100031	LCC SUPPORT PLAQUE
3700059	CLIPS WITH COUPLING
9100022	SCREW 4Mx6 FOR FIXING THE THERMOSTAT
9600042	FLAT CABLE DISPLAY LCC 6WAYS 28AWG L=400
9600124	LCC DISPLAY PL162T V3
9600125	CARD 100-240V PL162T V3
CD348-1	SCREW FOR BULB THERMOSTAT TC 7.7+01 4x6 7985
CD553	SCREW TCBIC M4x16 UNI 7687 (4.8 ZB)
MC268	SCREW M5x8
MC591	ADHESIVE SPONGE

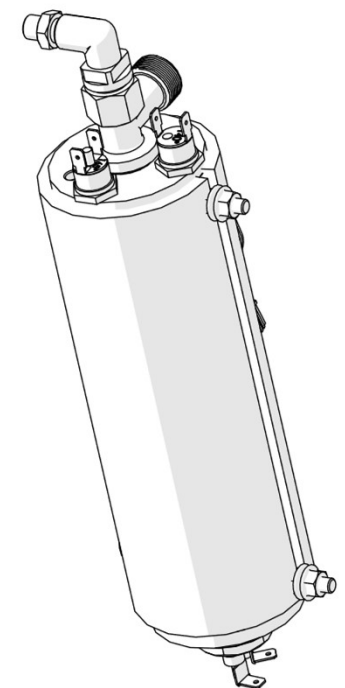


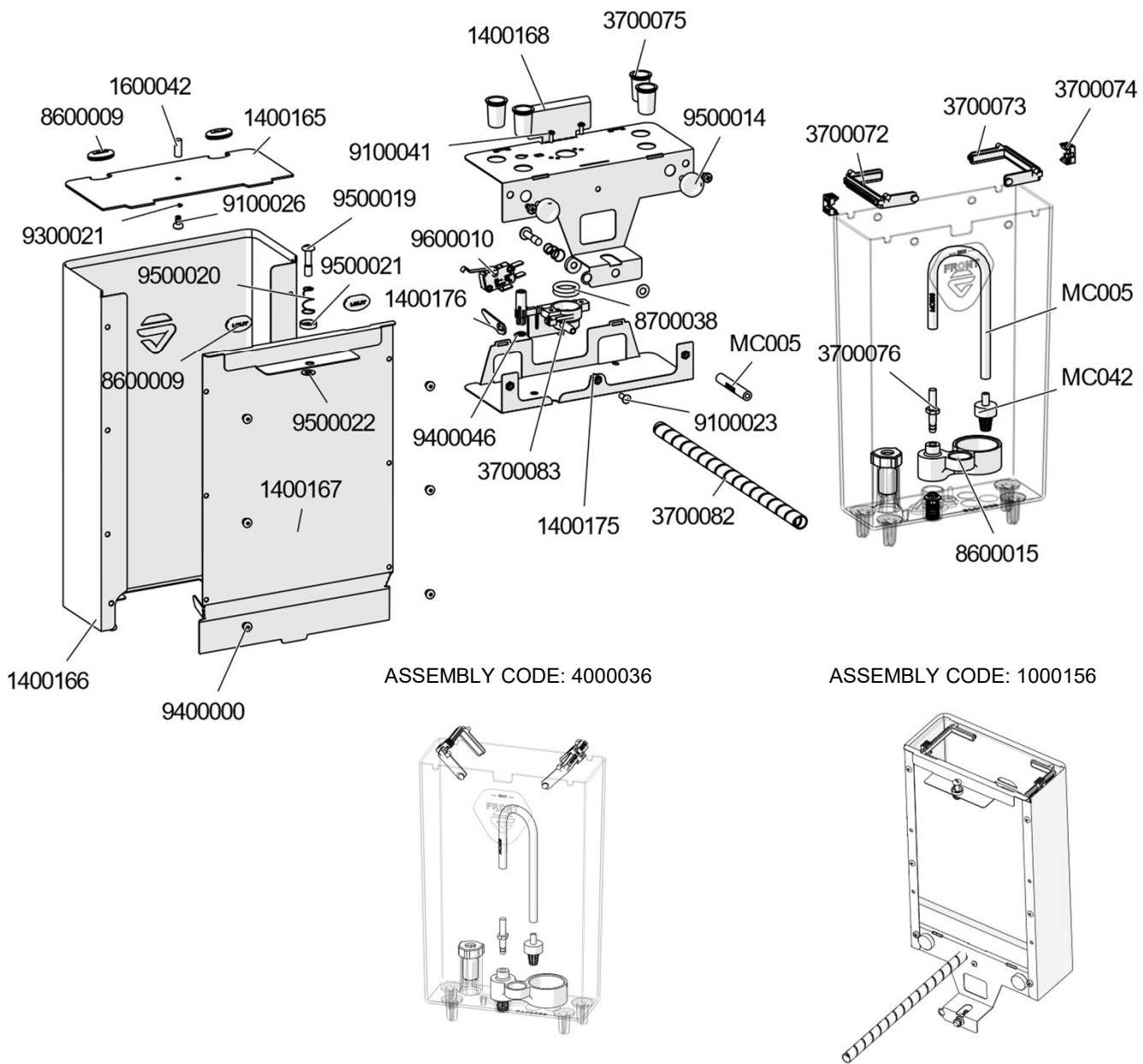
CODE	DESCRIPTION
2000016	BOILER 1.7l INOX AISI316
2200110	4WAY CROSS FITTING
8300003	INSULATION MATERIAL DIAM. 124
9200019	INOX NUT M6
9600092	TEMPERATURE PROBE
9600105	LEVEL PROBE 85MM
9700040	NIPPLE FITTING
9700050	SAFETY VALVE
9700052	ANTI VACUUM VALVE
CD024-442	NIPPLE JOINT
CD024-466	T JOINT 1/8
MC017	RUBBER CONNECTION
MC032	MANUAL REARM BIMETALLIC THERMOSTAT 165°
MC101 (L210)	SILICONE HOSE 6X9
MC101 (L300)	SILICONE HOSE 6X9
4000038	SPARE KIT HEATING ELEMENT MC920/120 1200W-120V + GASKET 8700012





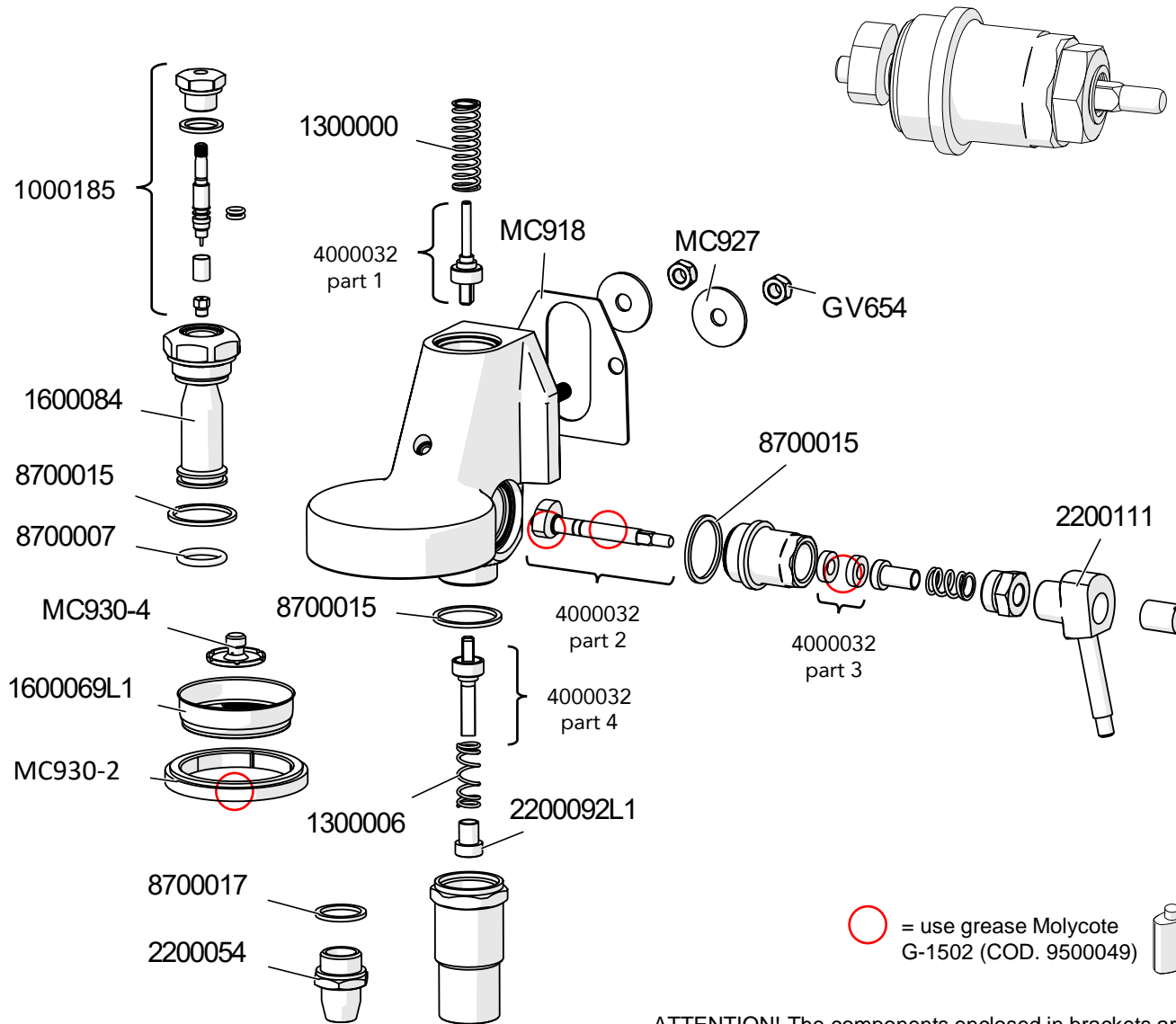
CODE	DESCRIPTION
2000017	COFFEE BOILER 0,8l AISI 316L
8300004	INSULATION
9200019	INOX NUT M6
9600092	TEMPERATURE PROBE
CD024-442	NIPPLE JOINT
CD343-110	HEATING ELEMENT 1G COPPER L=155 1000W-120V
CD342	TEFLON GASKET FOR HEATING ELEMENT CD343
MC032	MANUAL REARM BIMETALLIC THERMOSTAT 165°
MC917L1	JOINT L=100
MC919	EXCHANGER JOINT 1/2"


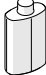




CODE	DESCRIPTION
1000156	WATER TANK KIT FOR BIANCA PL162T
1400165	TANK COVER
1400166	COVER FOR TANK SUPPORT
1400167	SUPPORT TANK PANNEL
1400168	SUPPORT FOR WATER TANK
1400175	PLAQUE FOR TANK SUPPORT
1400176	MICROSWITCH LEVER
1600042	PIN D. 6 L=15 PL71
3700072	NUMBERED HANDLE 0-14
3700073	NUMBERED HANDLE 15-28
3700074	REFILLS MANUAL COUNTER
3700075	TANK GUIDE WITH AUTOMATIC GRAFT
3700076	TUBE JOINER
3700082	POLYETHYLENE COAT, BLACK Diam.12
3700083	TANK COUPLING CHAMBER
8600009	RUBBER SPACER
8600015	SUPPORT FOR FILTER AND RESIN FILTER
8700038	RED SILICONE GASKET
9100023	SCREW TBEI M4x10 UNI EN 7380 INOX
9100026	SCREW TCBIC M4x10 UNI 7687 INOX
9100041	SCREW - TBEI M3 x 8 ISO 7380 INOX
9300021	SCHNORR ELASTIC WASHER
9400000	RIVET 4,8x6 UNI 9200
9400046	SPRING CLAMP Diam.7,3
9500014	DYN FOOT
9500019	FIXING PIN Diam.6
9500020	SCREW 1/4 TURN SPRING EXPULSION
9500021	SCREW 1/4 TURN WASHER
9500022	SCREW 1/4 TURN WASHER
9600010	MICROSWITCH F/TANK
MC005	SILICONE HOSE 4X8 L42CM
MC042	WATER FILTER
4000036	SPARE KIT COMPLETE WATER TANK

ASSEMBLY CODE: 1000237

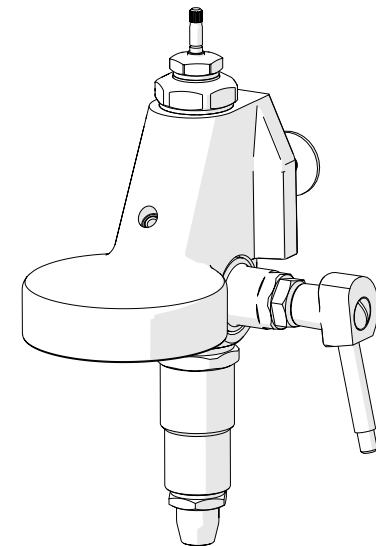


 = use grease Molycote G-1502 (COD. 9500049) 

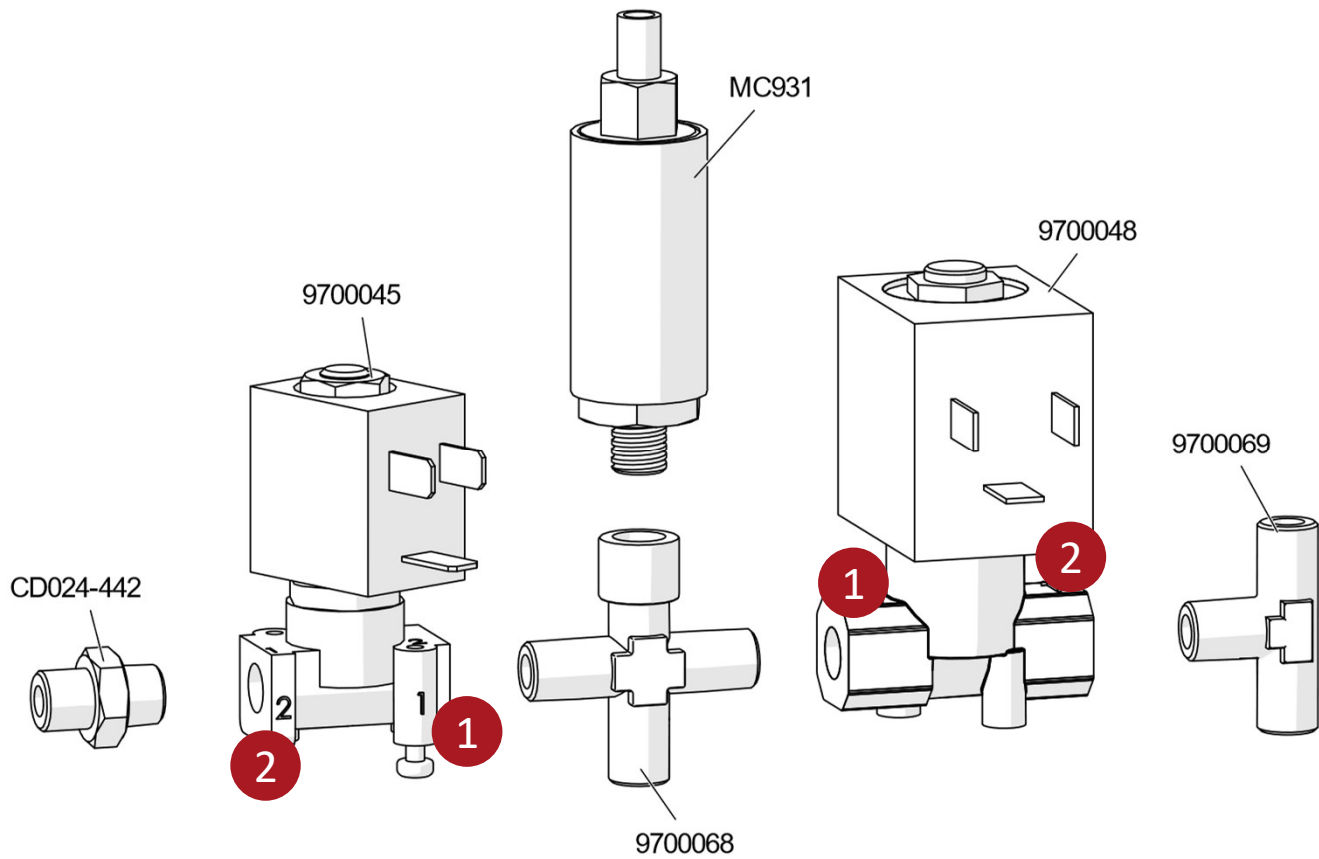
ATTENTION! The components enclosed in brackets are part of a reset kit for L58E (code 4000032). They cannot be ordered individually like the other components, but you must buy the entire kit (part1 + part2 + part3 + part4).

CODE	DESCRIPTION
1000154	L58E LPC GROUP
1000185	WATER FLOW REGULATOR
1000237	COMPLETE L58E GROUP TAP CAM
1300000	CAPILLARY I.800
1300006	VALVE SPRING FOR LPC GROUP
1600069L1	SHOWER FILTER LASERED FOR L58E GROUP
1600084	COMPLETE HOLDER - L58E GROUP AISI 304 POLISH
2200054	LOWER JOINT FOR L58E GROUP DISCHARGE
2200092L1	GUIDE BUSH FOR L58E LPC GROUP
2200111	CAM WITH LEVER FOR L58E GROUP
8700007	GASKET ON WATER DISPENSER Diam.20,5
8700015	PTFE GASKET 35x30x2
8700017	PTFE GASKET 26x21x2 - L58E GROUP
GV654	SELFBLOCKING NUT 8MA ZNB
MC044	O-RING 6,07X1,78
MC918	GASKET FOR L58E-TYPE GROUP
MC927	WASHER 8x32 DIN 9021 ZNB
MC930-2	GROUP GASKET LELIT58
MC930-4	SPRAYER DIAM. 30
4000032	SPARE KIT FOR L58E GROUP

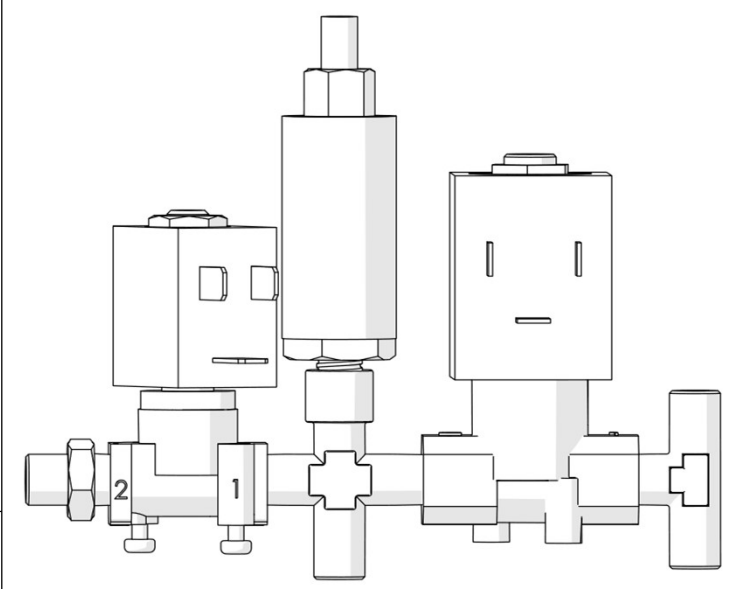
ASSEMBLY CODE: 1000154

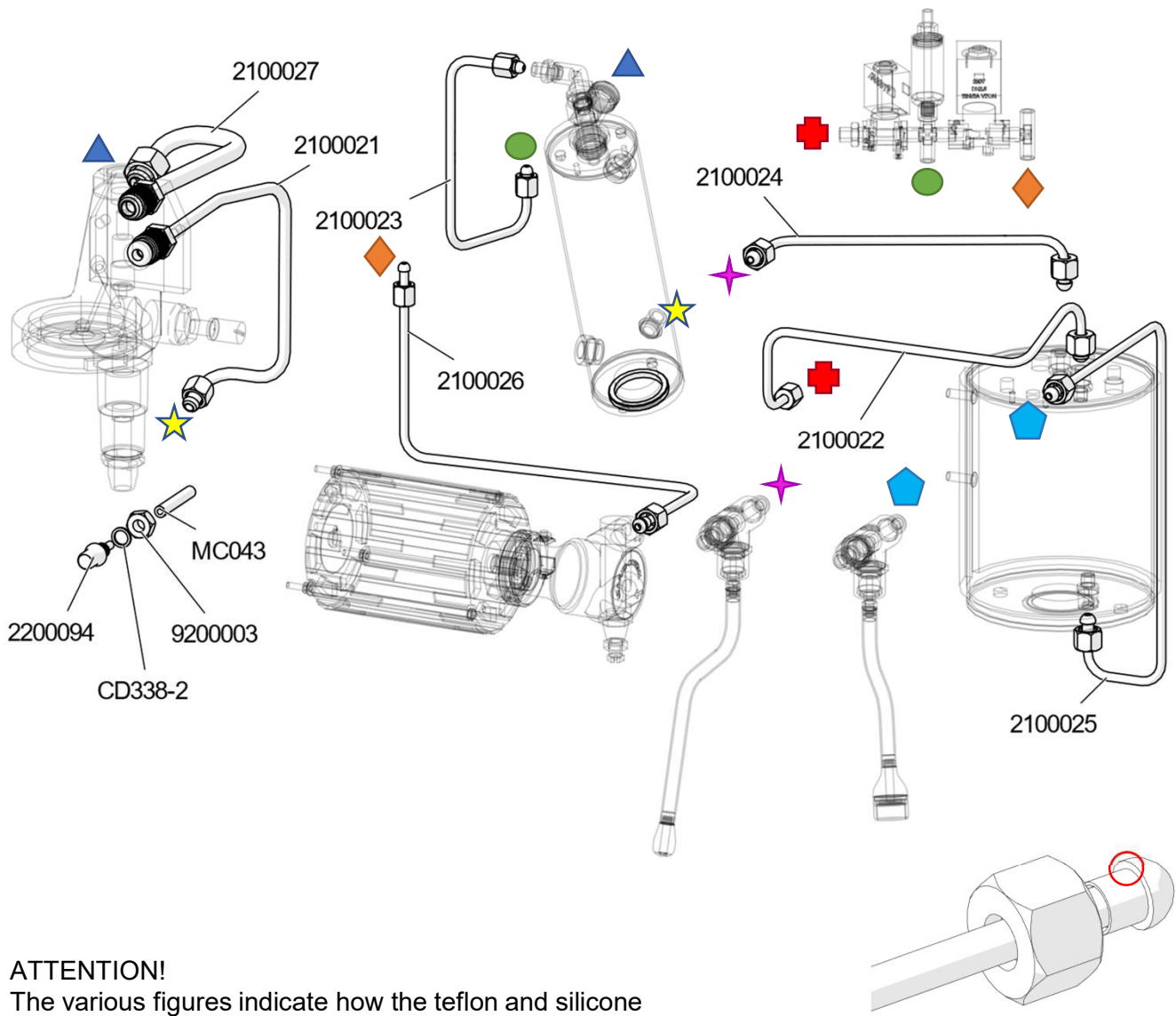


CODE	DESCRIPTION
9700048	2WAYS SOLENOID VALVE S8000 VERSION LLF DN4 120V 60Hz
9700045	2WAYS SOLENOID VALVE S6000 DN1,5 120V 60Hz
9700068	CROSS FITTING
9700069	T FITTING
CD024-442	NIPPLE JOINT
MC931	ADJUSTABLE OVERPRESSURE VALVE



NB: please pay attention to the numbers (1 and 2) marked on the body of the solenoid valves, and reassemble the valves following the direction indicated in the image.

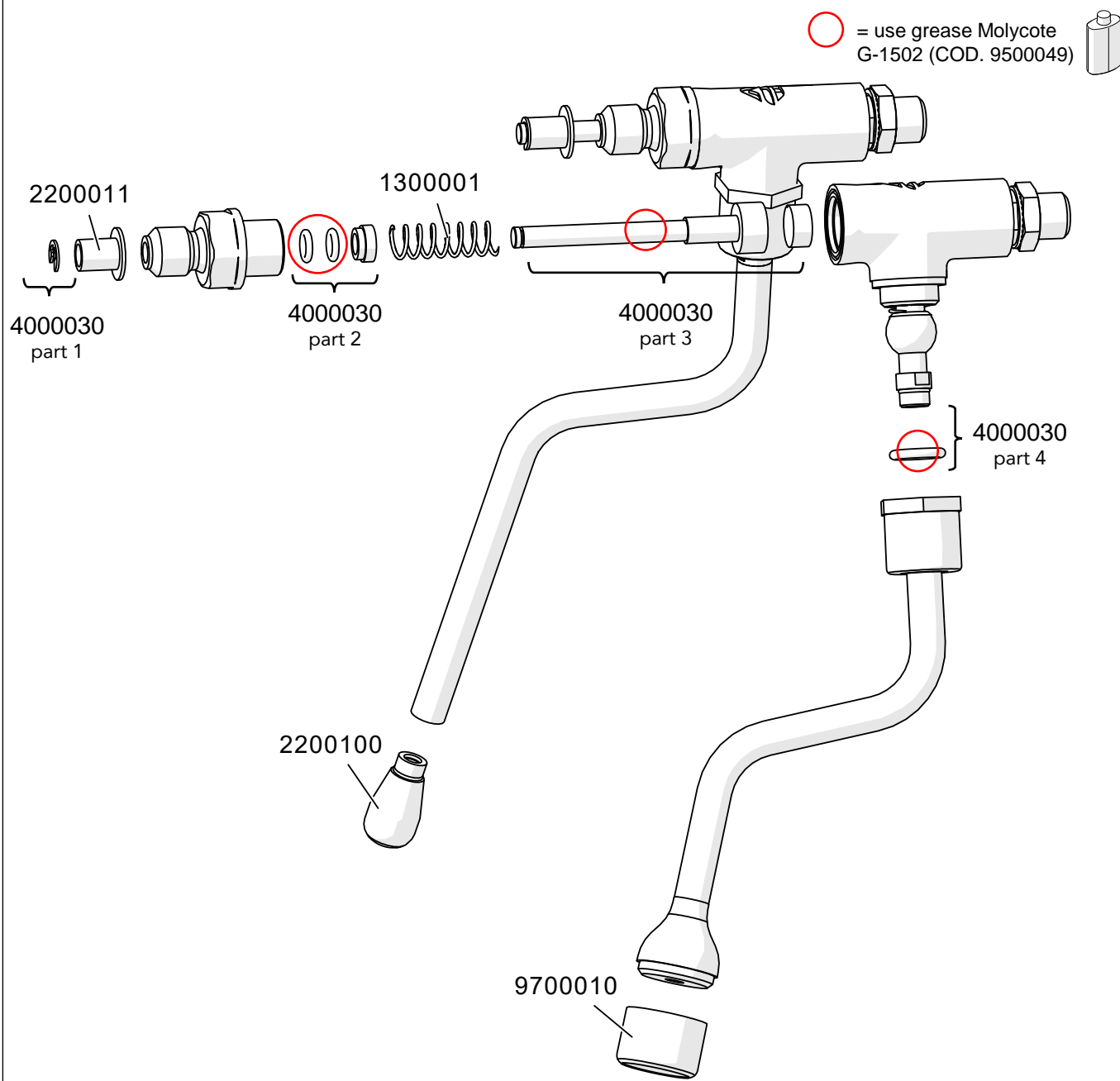




ATTENTION!
 The various figures indicate how the teflon and silicone tubing must be connected inside the machine.
 (For example, the triangle will need to be coupled with the triangle.)

Use grease Molycote G-1502 (COD. 9500049) on the spindles of all copper pipes

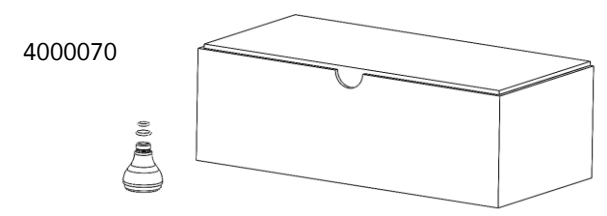
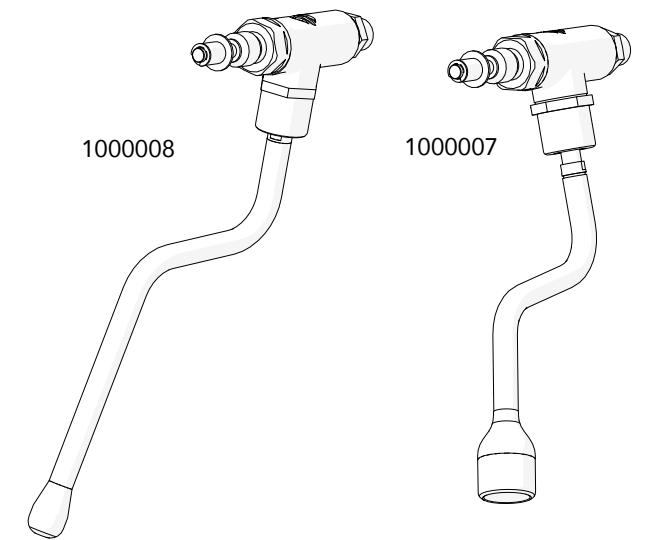
CODE	DESCRIPTION
2100021	LOWER TUBE FOR COFFEE BOILER
2100022	CHARGE TUBE FOR STEAM BOILER
2100023	CHARGE TUBE COFFEE BOILER
2100024	STEAM WITHDRAWAL TUBE
2100025	WATER WITHDRAWAL TUBE
2100026	PUMP TUBE
2100027	UPPER TUBE FOR COFFEE BOILER
2200094	DISCHARGE FITTING
9200003	NUT M10 UNI EN ISO 4032 cl 8 zb
CD338-2	WAND WASHER LL 10x15x1,5
MC043	SILICONE HOSE 4X8 L25CM



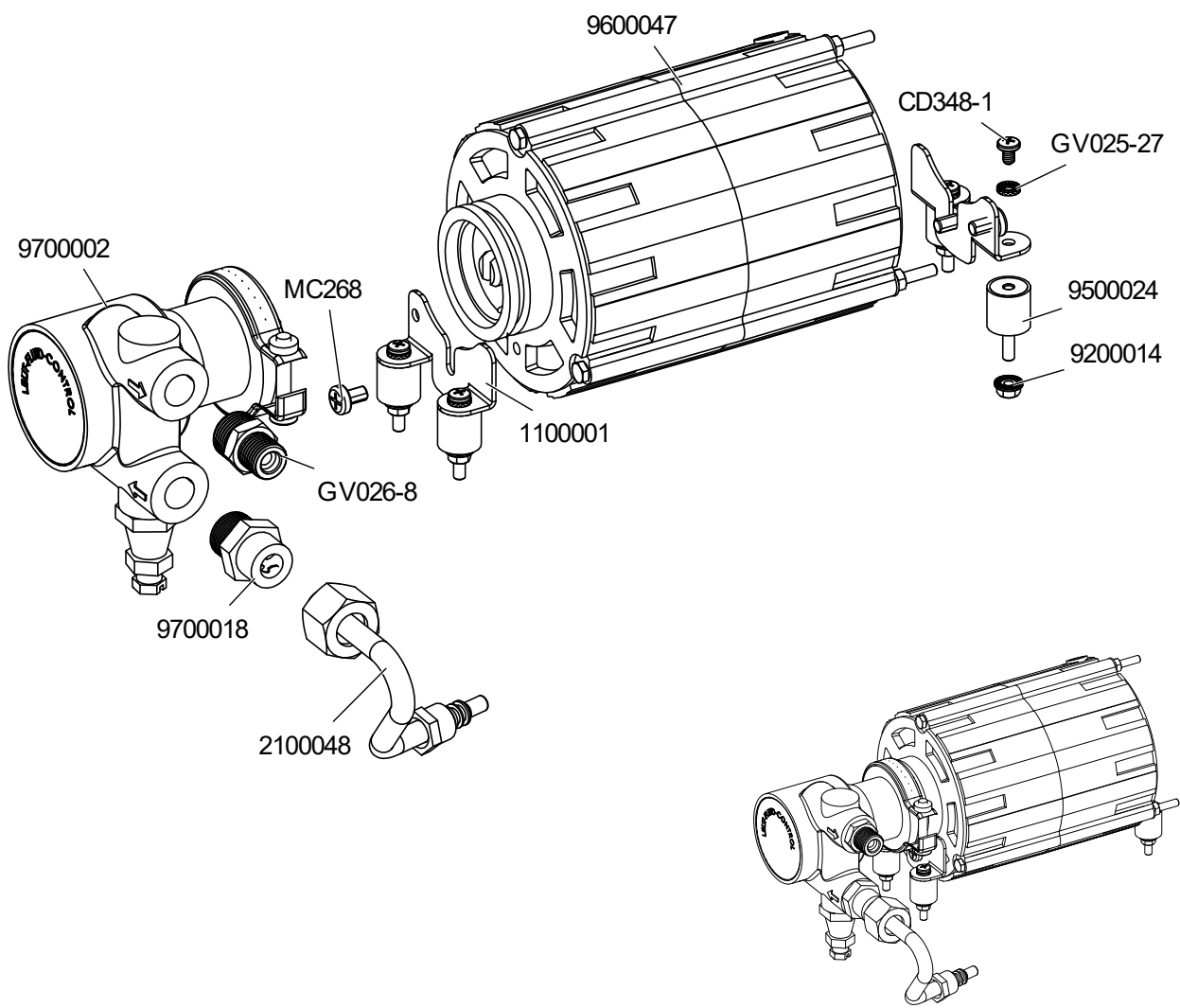
CODE	DESCRIPTION
1000007	WATER TAP WITH SPRING CLOSURE
1000008	STEAM TAP WITH SPRING CLOSURE
1300001	SPRING FOR TAP ON PL6
2200100	NOZZLE WITH 2 HOLES Ø1 30°
9700010	HOT WATER FILTER
2200011	SPACER
4000030	SPARE KIT WATER/STEAM TAP 1000007-1000008
4000070	SPARE KIT WITH O-RING

ATTENTION! The components enclosed in brackets are part of a reset kit for wand (code 4000030). They cannot be ordered individually like the other components, but you must buy the entire kit must (part1 + part2 + part3 + part4). 1 kit contains the spare parts for 1 wand reset.

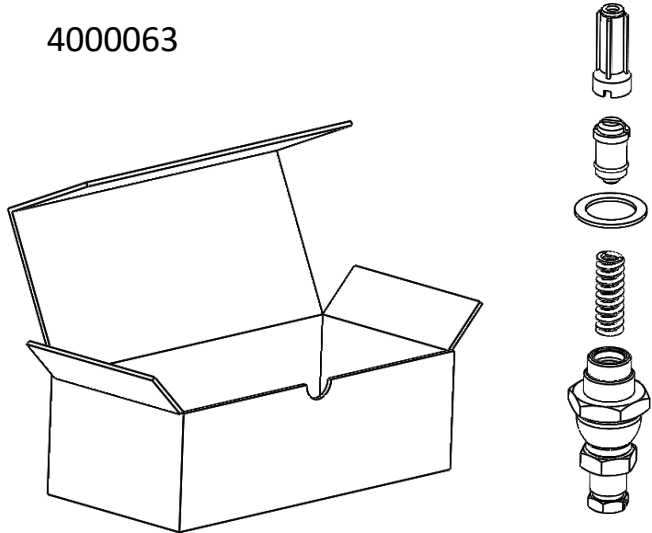
ASSEMBLY CODES

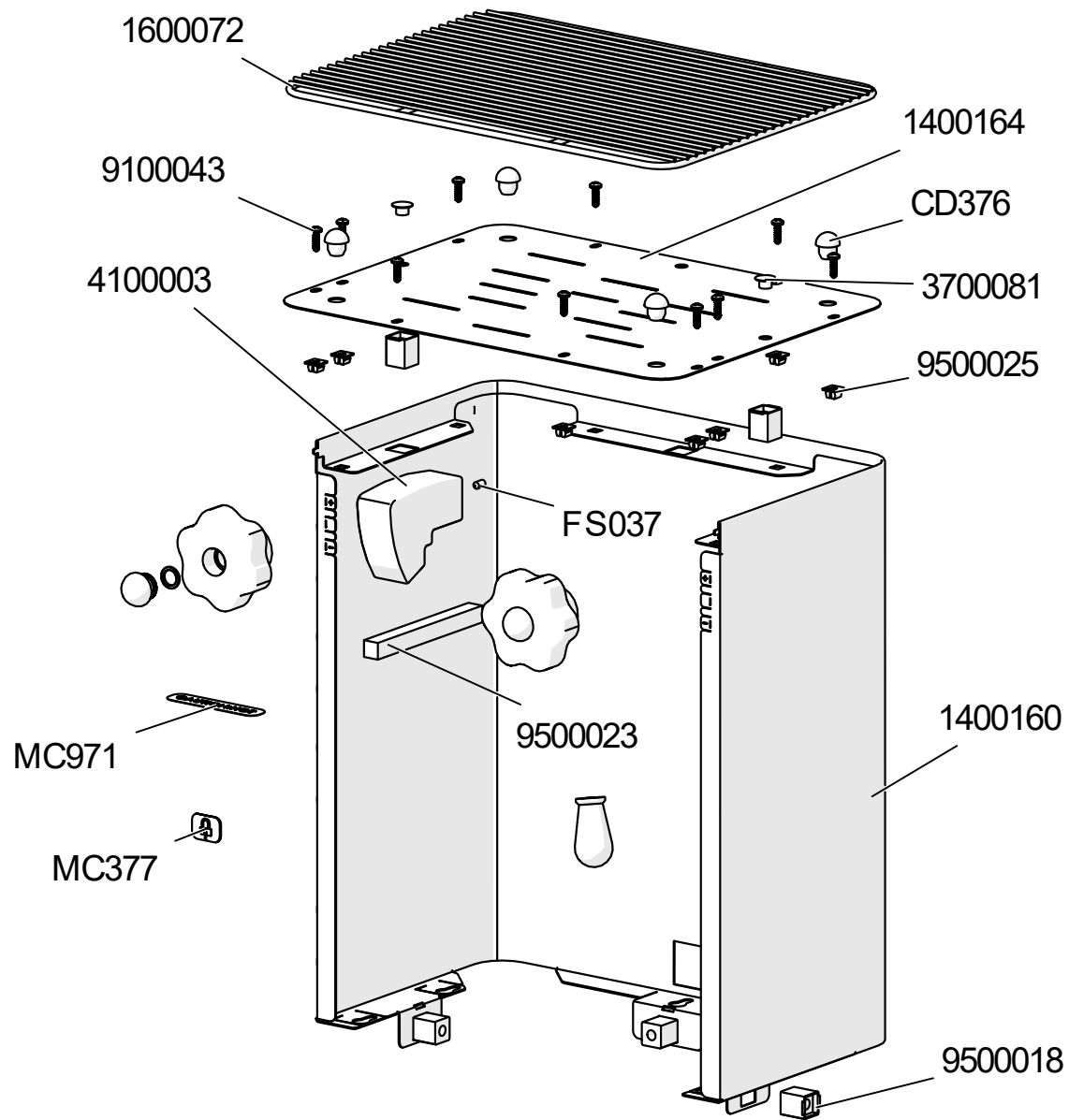


CODE	DESCRIPTION
1100001	SUPPORT FOR ROTATIVE PUMP MOTOR
2100048	COPPER TUBE WATER PUMP
4000063	KIT PUMP BY-PASS
9200014	NUT M4 DIN6923 ZB INOX
9500024	ANTI-VIBRATION M4
9600047	PUMP MOTOR 150W-120V 60Hz UL
9700002	ROTATIVE PUMP NSF 50L/h
9700018	3/8G WATER INLET FILTER F/ROTATIVE PUMP
CD348-1	SCREW FOR BULB THERMOSTAT TC 7.7+01 4x6 7985
GV025-27	WASHER D4 UNI8842
GV026-8	REDUCTION3/8 M 1/4 M
MC268	SCREW M5x8

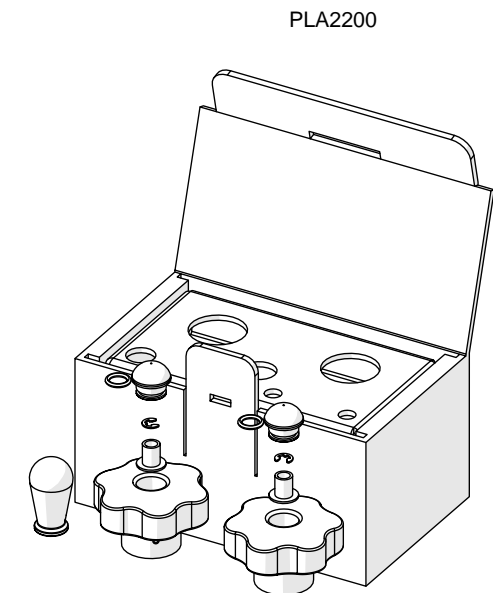


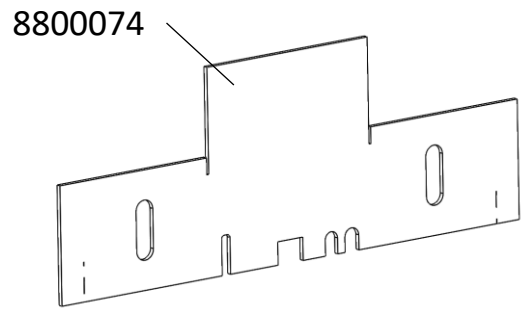
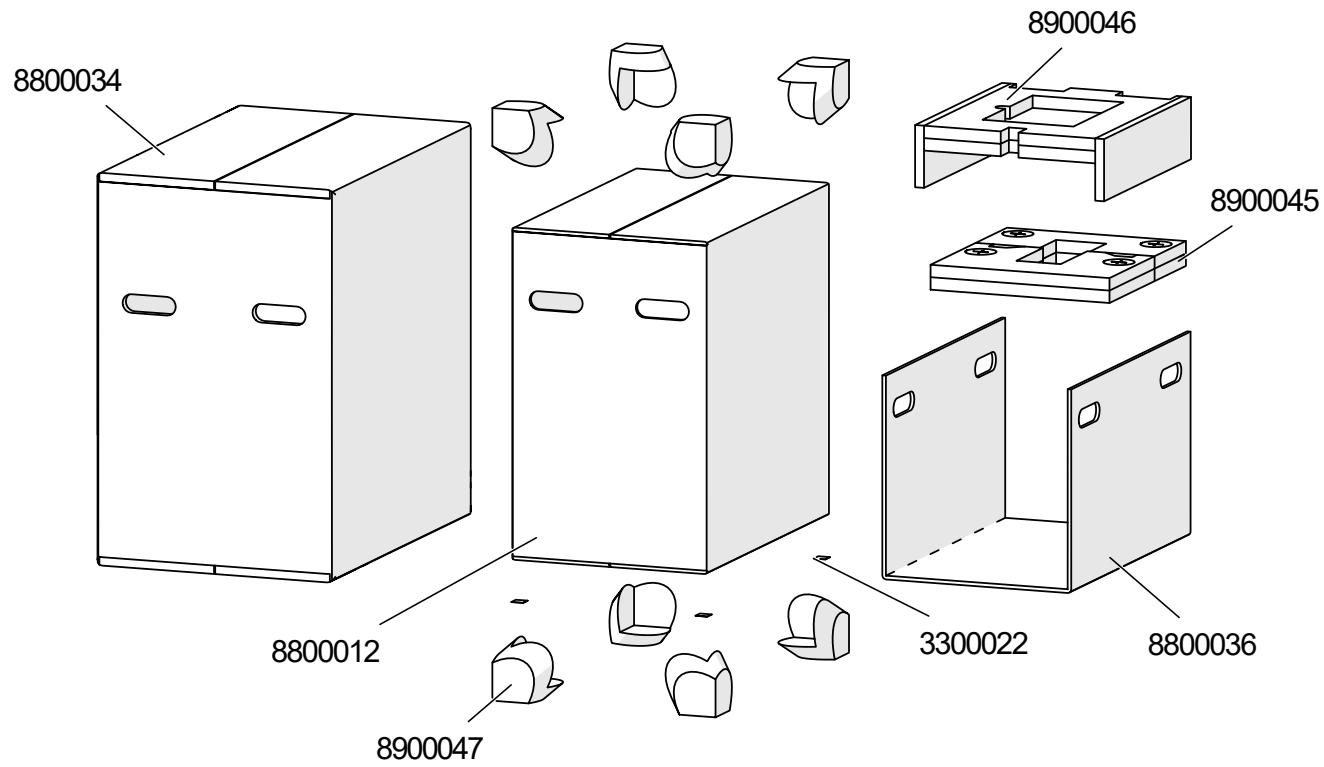
4000063





CODE	DESCRIPTION
1400160	APPLIANCE BODY PL162T
1400164	LID
1600072	CUP TRAY
3700081	CAP FOR HOLE DIAM. 7,2
4100003	PADDLE
9100043	SCREW TCBC 3,5X12,5 INOX
9500018	SCREW 1/4 TURN RECEPTACLE
9500023	ADHESIVE SPONGE
9500025	PLASTIC NUT H0,8 L4,5
CD376	SILICONE MUSHROOM
FS037	HANDLE SCREW
MC377	PADLOCK LABEL
MC971	CAUTION HOT LABEL
PLA2200	WALNUT WD KIT FOR WATER/STEAM KNOBS AND LEVER, WD LINE



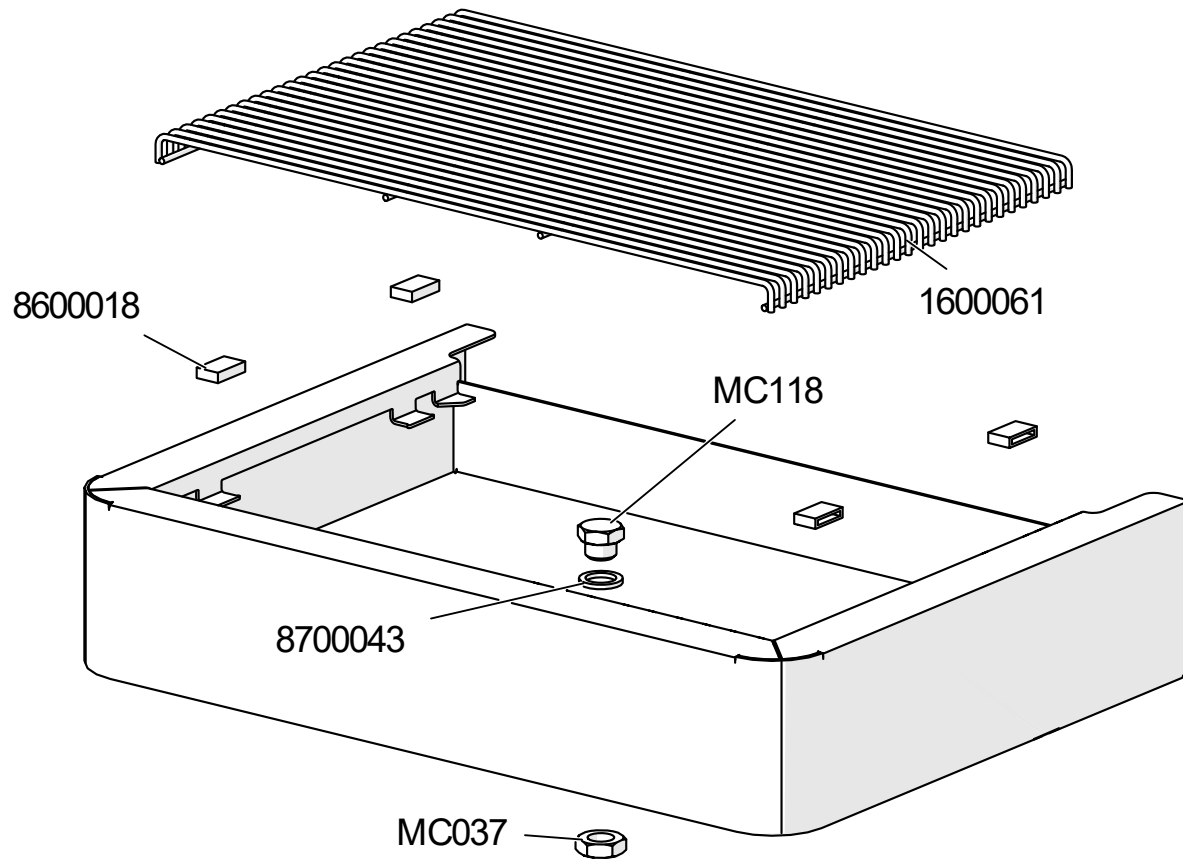


CODE	DESCRIPTION
3300022	LABEL
8800012	INTERNAL CARTON PACKING ELEMENTS
8800034	EXTERNAL CARTON PACKING
8800036	INTERNAL CARDBOARD SUPPORT FOR PL162T
8800074	SUPPORT
8900045	INTERNAL PACKAGING
8900046	INTERNAL PACKAGING
8900047	ANGLE PACKING ELEMENT

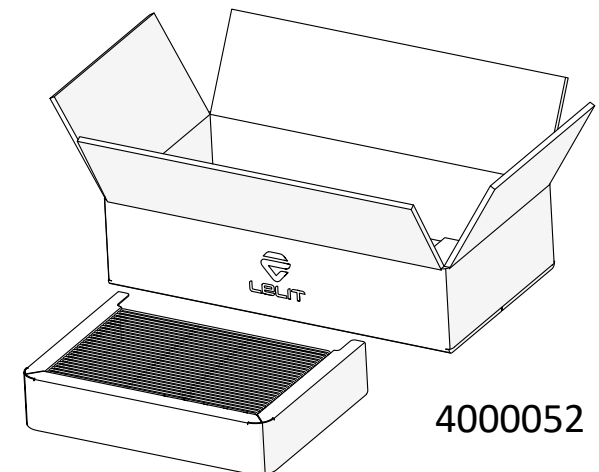
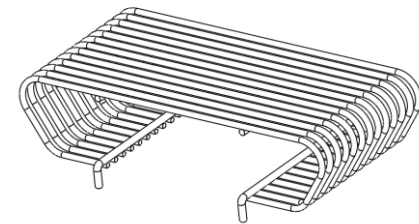
ATTENTION! The complete packaging includes the following codes and quantities:

- 3300022 x4
- 8800012 x1
- 8800034 x1
- 8800036 x1
- 8900045 x1
- 8900046 x1
- 8900047 x8
- 8800074 x1 (optional)

CODE	DESCRIPTION
1600038	ESPRESSO CUP RACK VIP LINE
1600061	DRIP TRAY COVER FOR BIANCA PL162T
4000052	KIT DRIP TRAY WITH WIRE GRATE
8600018	RUBBER FOOT FOR DRIP TRAY
8700043	TEFLON GASKET 1/8G
MC037	BRASS NUT 1/8G CH=14 h=4,5
MC118	TAP CAP FOR ART 046 ART.452 1/8

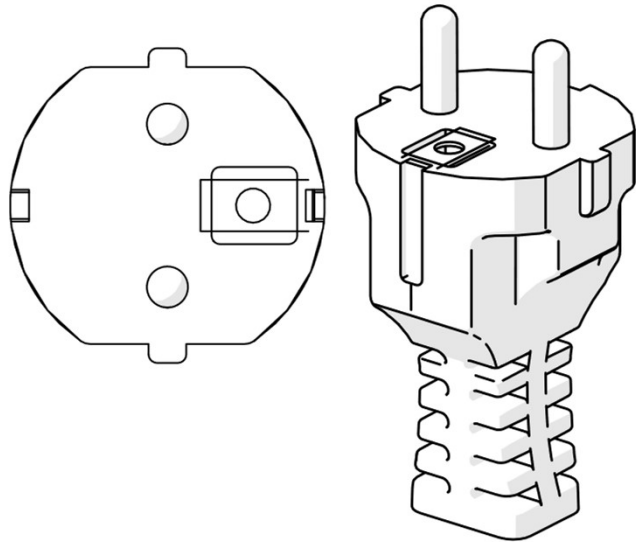


1600038

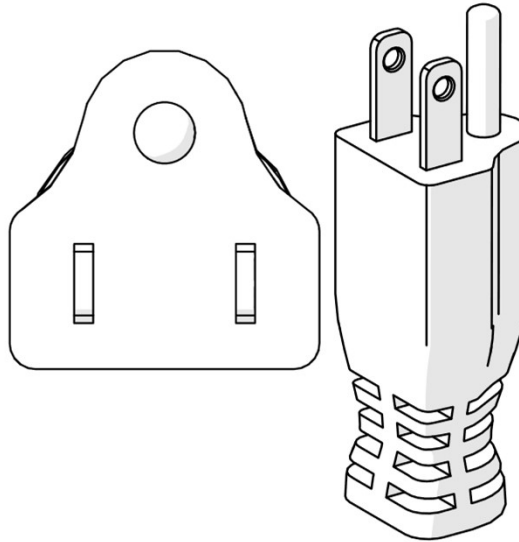


4000052

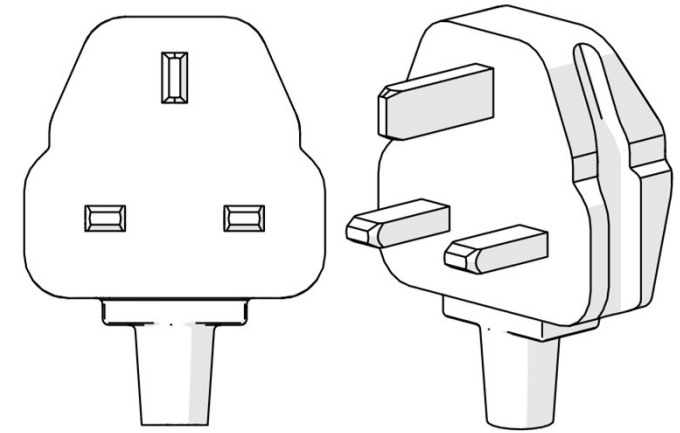
MC269 (EUROPE)



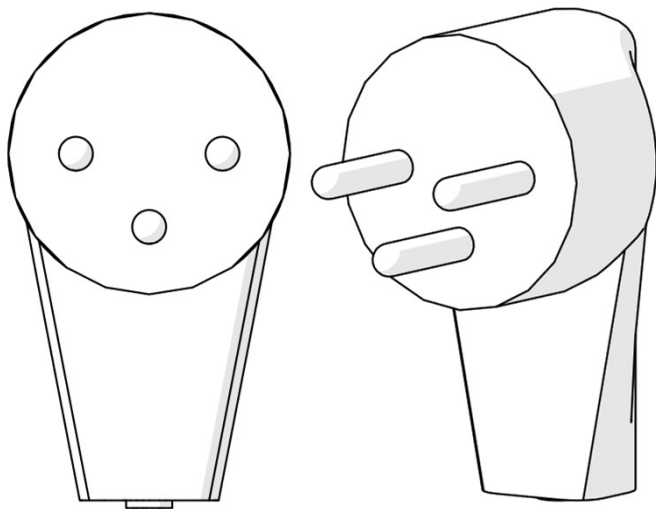
MC269-110 (UNITED STATES)



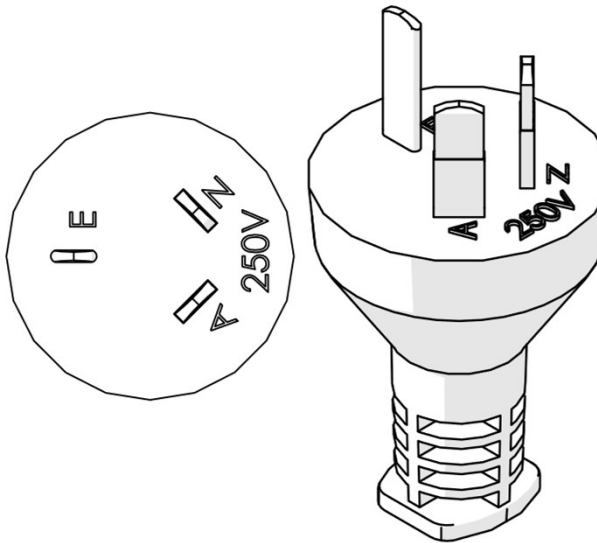
MC269UK (UNITED KINGDOM)



MC269IL (ISRAEL)



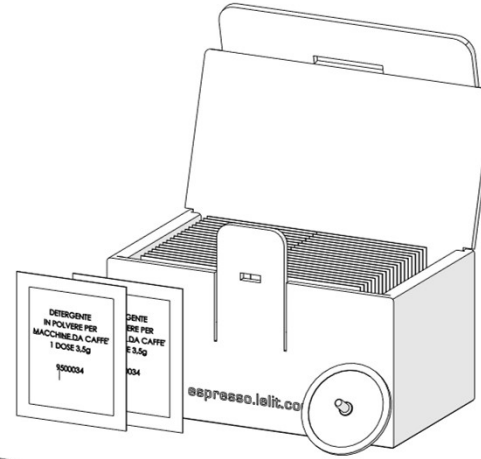
MC269AUS (AUSTRALIA)



PLA180S



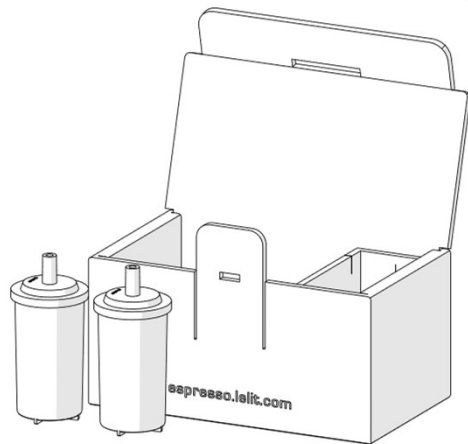
PLA9201



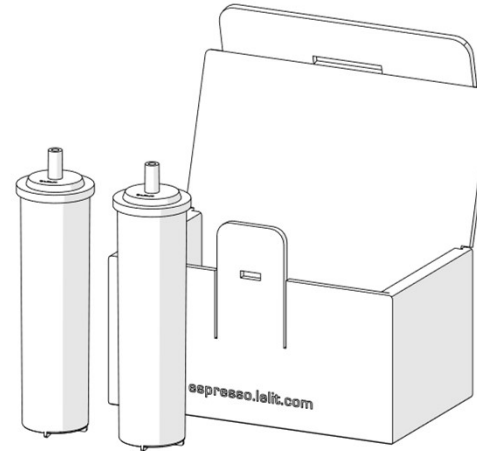
PLA9203



PLA930S



PLA930M



CODE	DESCRIPTION
PLA180S	LELIT58 FILTERS SET
PLA9201	PACKAGE OF 40 SINGLE-DOSE (3.5GR) GROUP CLEANER
PLA9203	PACKAGE OF 10 SINGLE-DOSE BOTTLE (25ML) STEAM WAND CLEANER
PLA930S	PACKAGE CONTAINING 2PCS OF 35LT RESIN FILTERS
PLA930M	PACKAGE CONTAINING 2PCS OF 70LT RESIN FILTERS

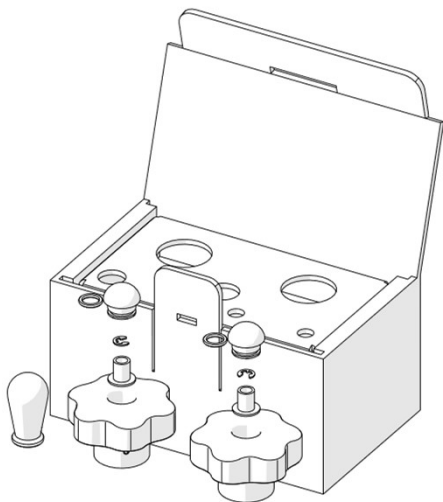
PLA582W



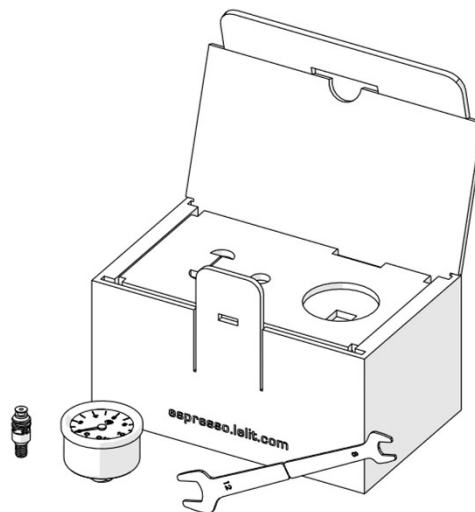
PLA580W



PLA2200



PLA2400



CODE	DESCRIPTION
PLA580W	LELIT58 BOTTOMLESS FILTERHOLDER, WD
PLA582W	LELIT58 2WAYS - COFFEE SLIDE - FILTERHOLDER, WD
PLA2200	WALNUT WD KIT FOR WATER/STEAM KNOBS AND LEVER, WD LINE
PLA2400	MANOMETER KIT FOR L58E GROUP