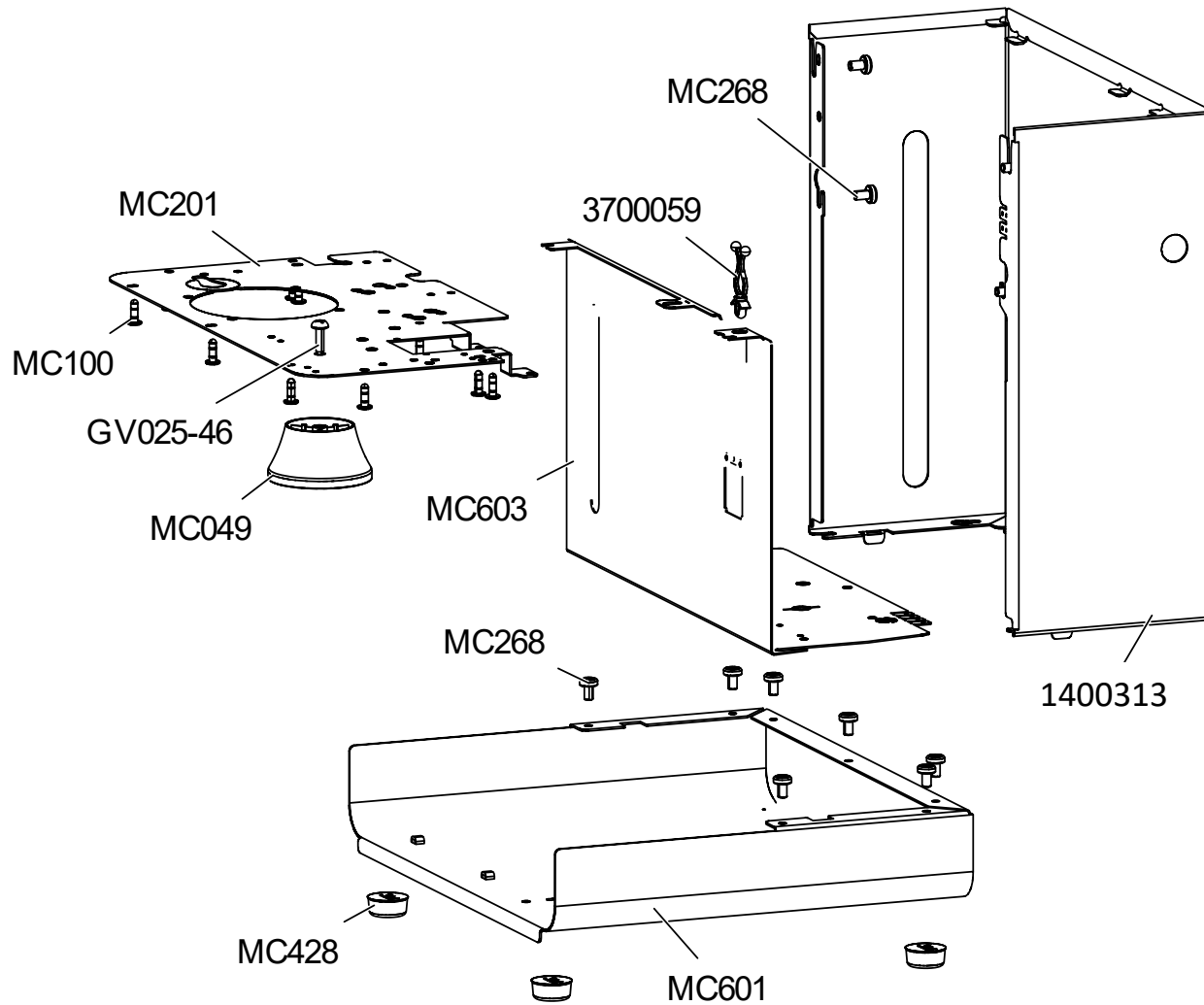


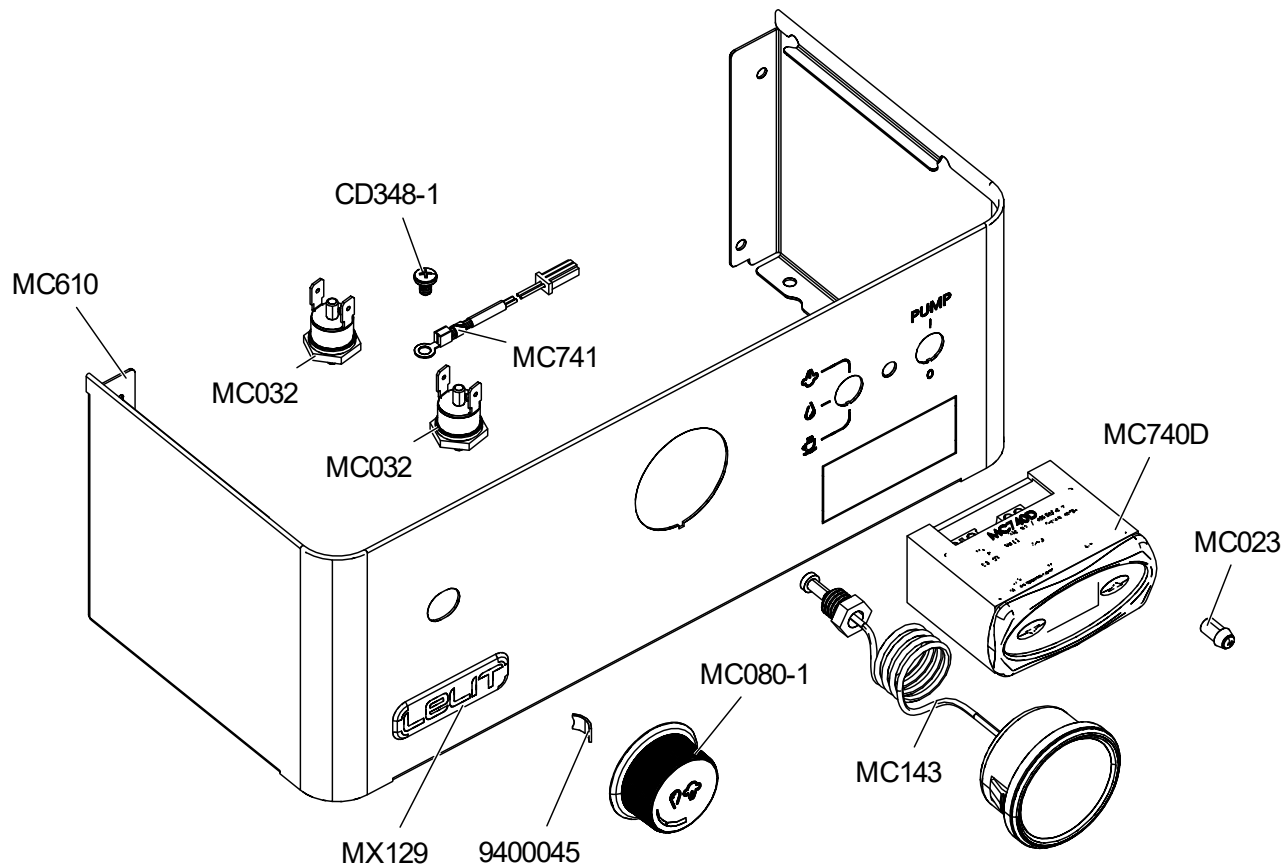
**Anita
PL042TEMD**

Technical Documentation

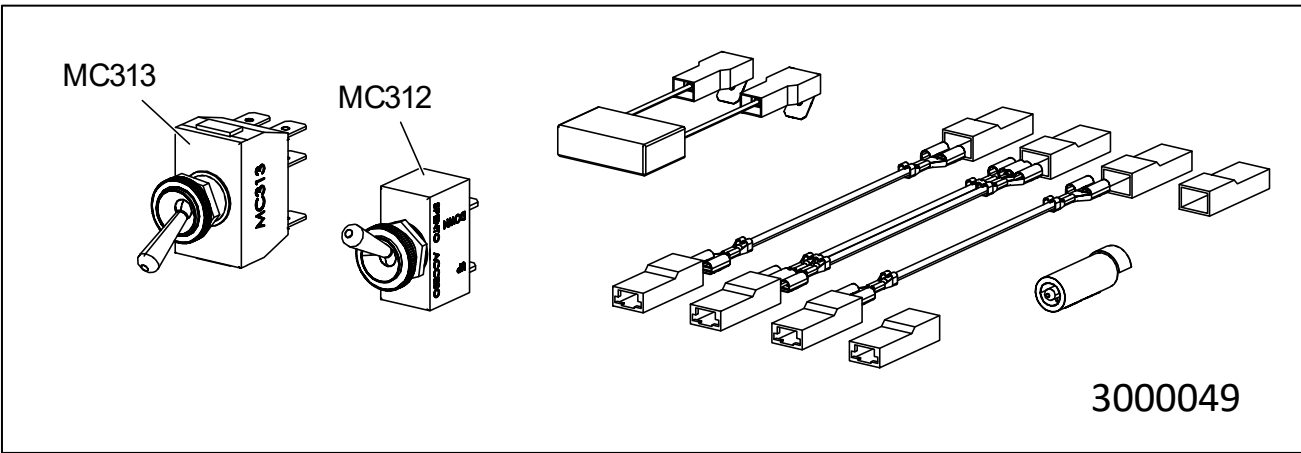
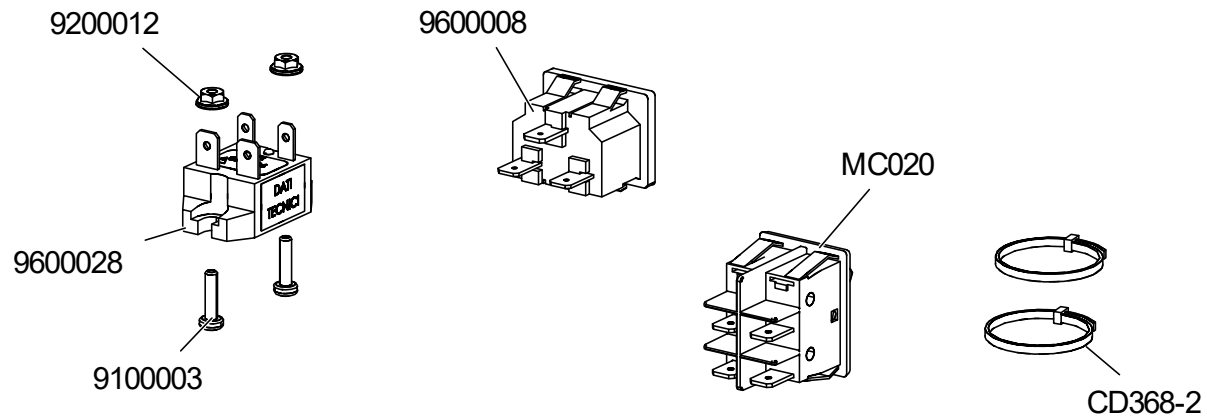
COD. 5200081TC



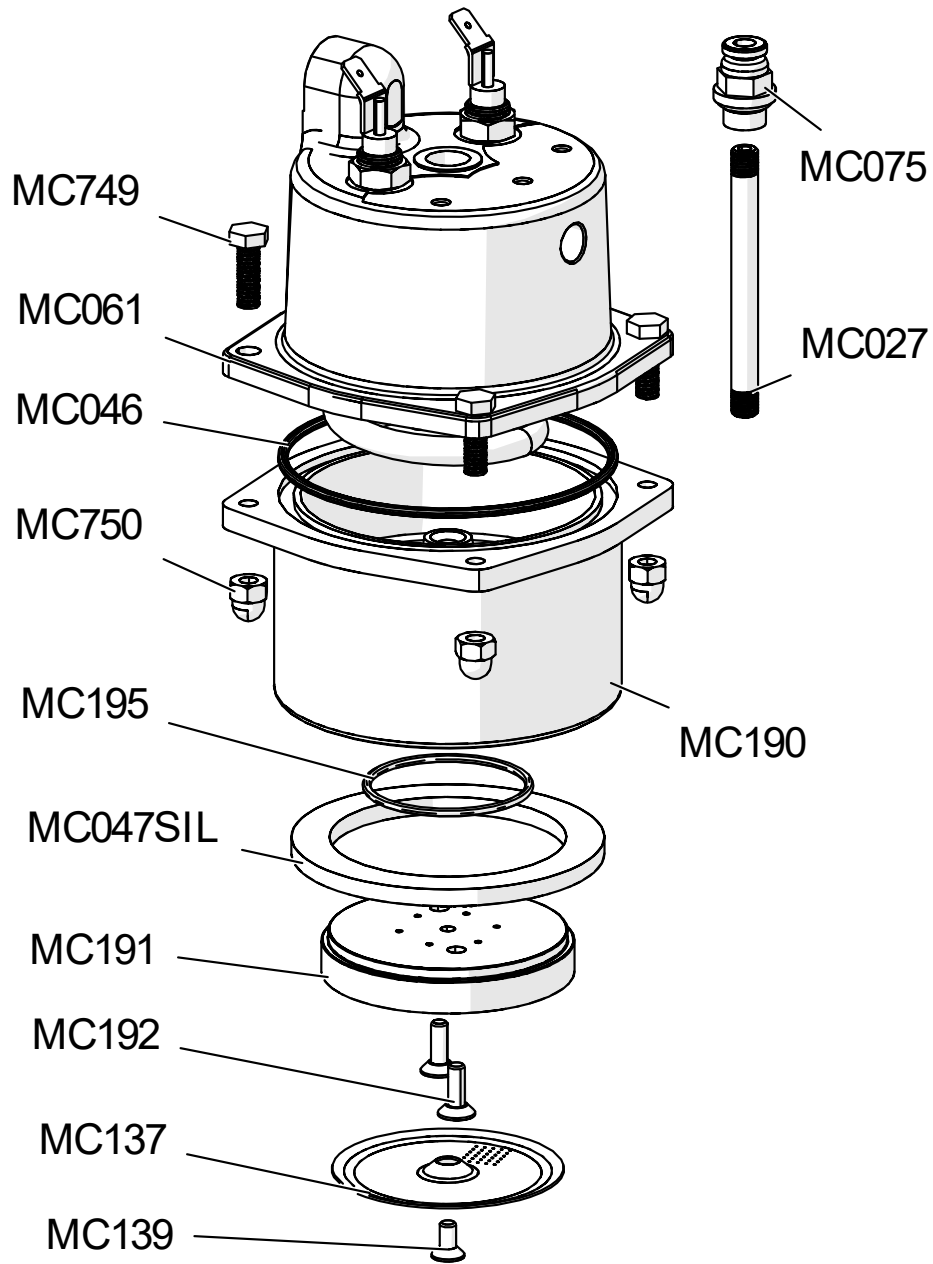
CODE	DESCRIPTION
1400313	BACK APPLIANCE BODY
3700059	CLIPS WITH COUPLING
GV025/46	SCREW 4,8x16
MC049	FIXED NYLON COFFEE TAMPER
MC100	RIVET FOR FEET FOR 040/041
MC201	BOILER SUPPORT PLAQUE
MC268	SCREW M5x8
MC428	STICKY FEET BLACK 22.3MMX10.1
MC601	APPLIANCE BODY BASE
MC603	BASE FOR WATER TANK



CODE	DESCRIPTION
9400045	KNOB SUPPORT 6,8-11,3-0,4
CD348/1	SCREW FOR BULB THERMOSTAT TC
MC023	ORANGE LED COVER
MC032	MANUAL REARM BIMETALLIC THERMOSTAT 165°
MC080/1	SILKSCREEN PRINTED KNOB
MC143	BULB MANOMETER
MC610	FRONT PANEL
MC740D	DUAL PID F/COFFEE MACHINE 230V - F/COFFEE&STEAM - CHROMED FRAME
MC741	NTC PROBE W/AMP CONNECTOR L=290
MX129	LELIT LOGO STICKER 50x16

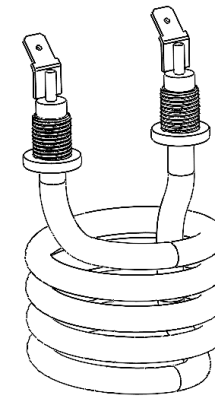


CODE	DESCRIPTION
3000049	WIRING PL042TEMD
9100003	SCREW TCBIC M3x12 UNI7687 4.8 (zb)
9200012	NUT M3 DIN6923 ZB
9600008	IEC PANEL SOCKET
9600028	RELE' 9-18V
CD368/2	WHITE CLAMP FOR SPRING
MC020	RED LED BIPOLAR SWITCH
MC312	UNIPOLAR ON-OFF LEVER SWITCH
MC313	BIPOLAR ON-OFF-ON LEVER SWITCH

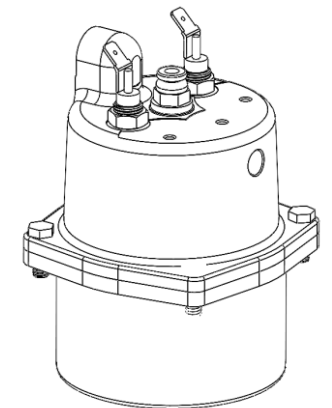


CODE	DESCRIPTION
ASS.MC190	BOILER 230V 1000W W/ MC047SIL
MC027	INJECTION PIPE
MC029	COPPER HEATING ELEMENT 1000W-230V
MC045	O-RING 9x2
MC046	OR 3275 Diam.i 69,52 - t 2,62 SILICONE 70 sh ±5
MC047SIL	SILICONE BREWING GROUP GASKET
MC061	UPPER PART BOILER LELIT57
MC075	QUICK RELEASE JOINT
MC137	SHOWER FILTER Diam.52
MC139	SCREW M4x8 DIN965 TORX T20
MC190	LOWER PART BOILER LELIT57
MC191	DIFFUSER
MC192	SCREW M4x12 DIN965 TORX T20
MC195	SILICONE GASKET
MC749	SCREW M5x16 UNI EN 4017
MC750	BLIND NUT M5 F/BOILER

MC029



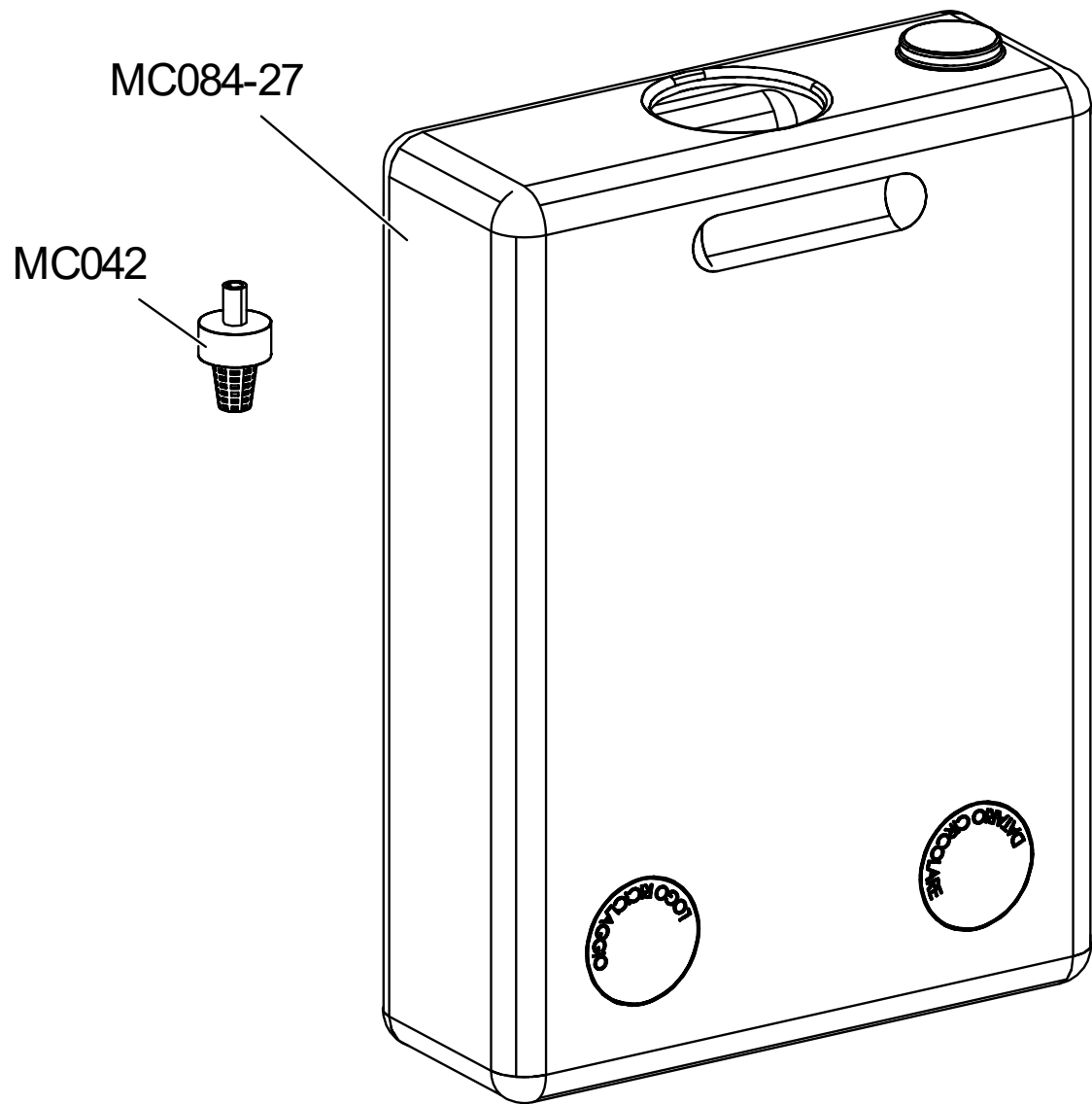
ASS.MC190

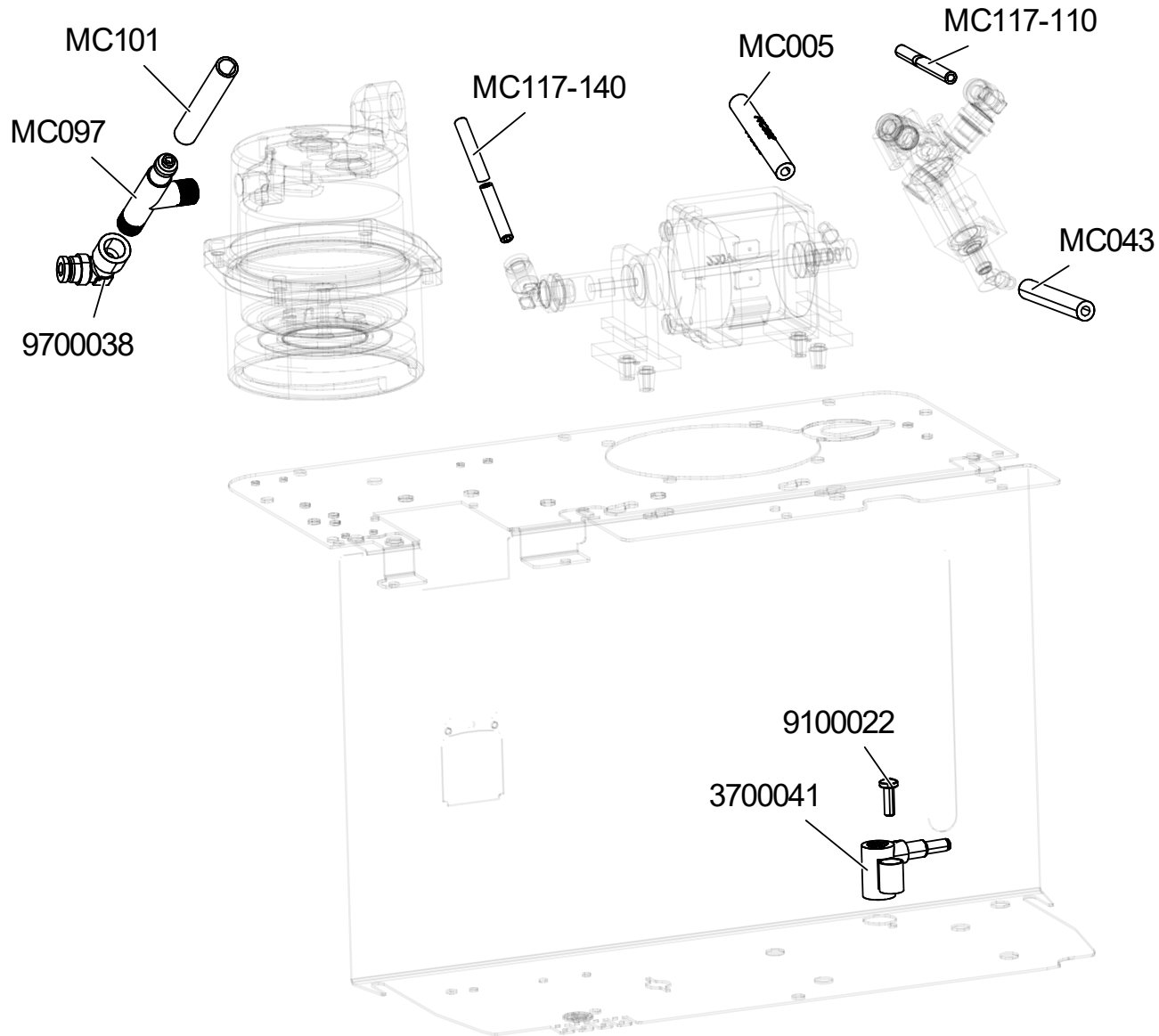


MC045 MC045

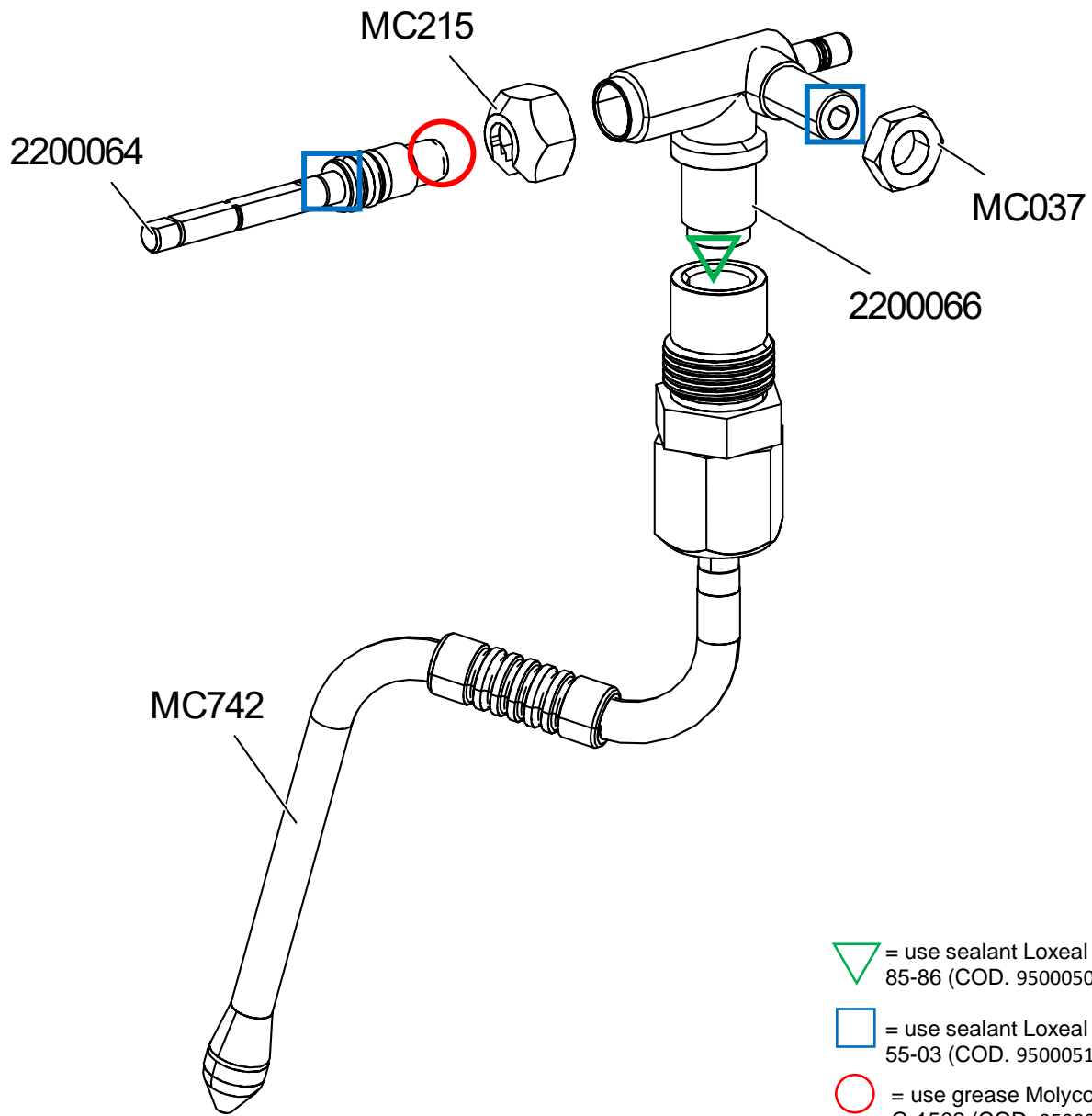


CODE	DESCRIPTION
MC084/27	WATER TANK 2,7lt
MC042	WATER FILTER

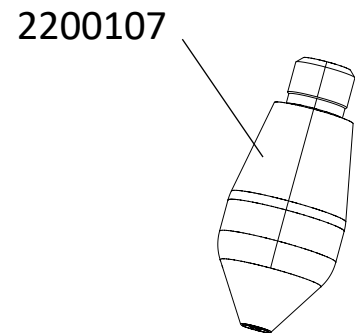
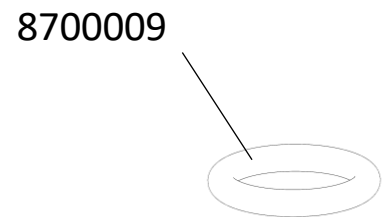







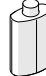


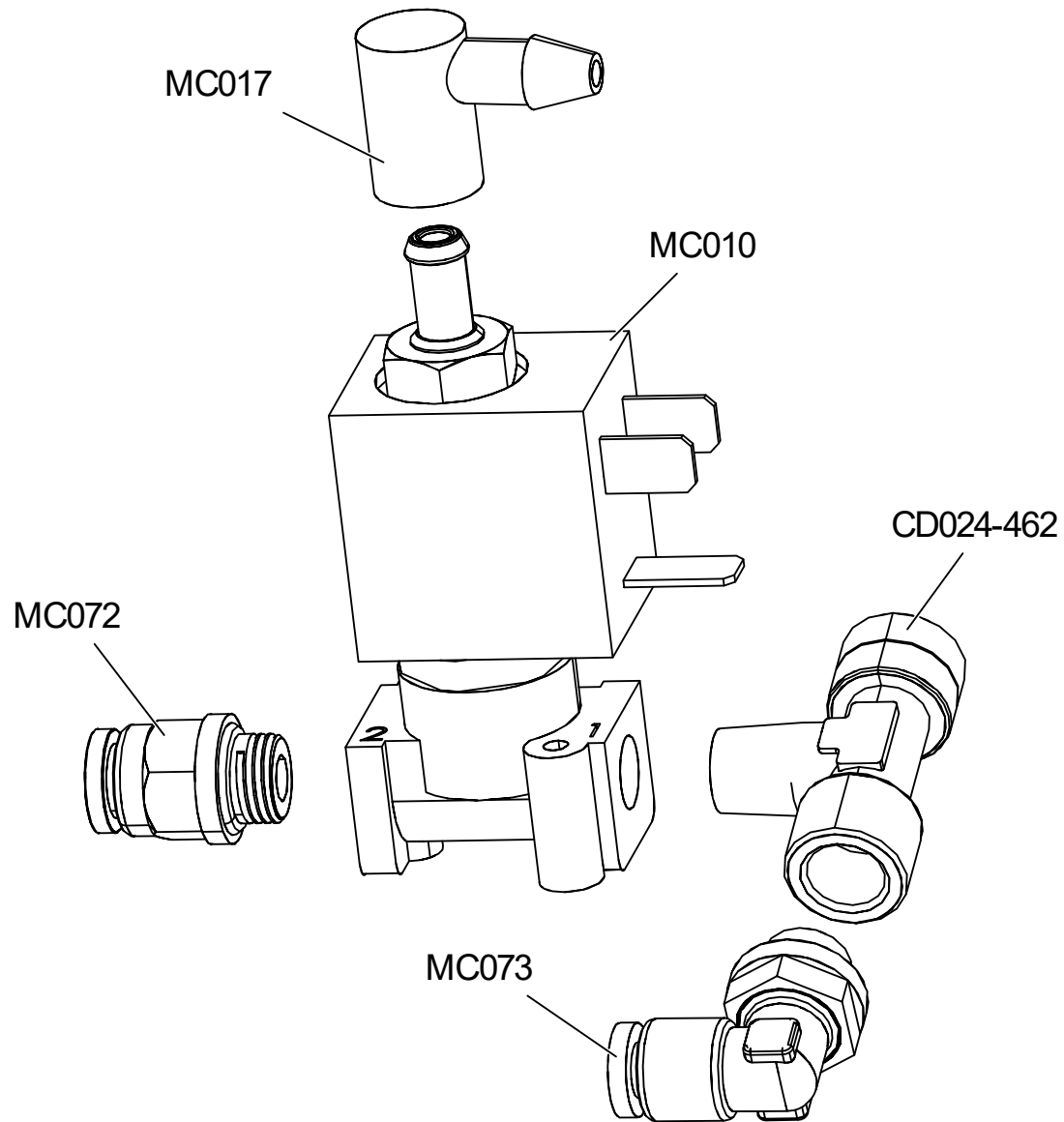
CODE	DESCRIPTION
3700041	PIPETTE
9100022	SCREW 4Mx6
9700038	L JOINT F1/8 QUICK CONNECTION Diam.5
MC005	SILICONE HOSE 4X8 L42CM
MC043	SILICONE HOSE 4X8 L25CM
MC097	OVERPRESSURE VALVE
MC101	SILICONE HOSE 6X9 40CM
MC117-110	PTFE TUBE Diam.e5 sp1 L=110
MC117-140	PTFE TUBE Diam.e5 sp1 L=140



CODE	DESCRIPTION
2200064	TAP STEM - TEFLON
2200066	TAP BODY - 90°
2200107	NOZZLE + OR
8700009	OR GASKET
MC037	BRASS NUT 1/8G CH=14 h=4,5
MC215	NUT M14
MC742	MOVABLE STEAM WAND

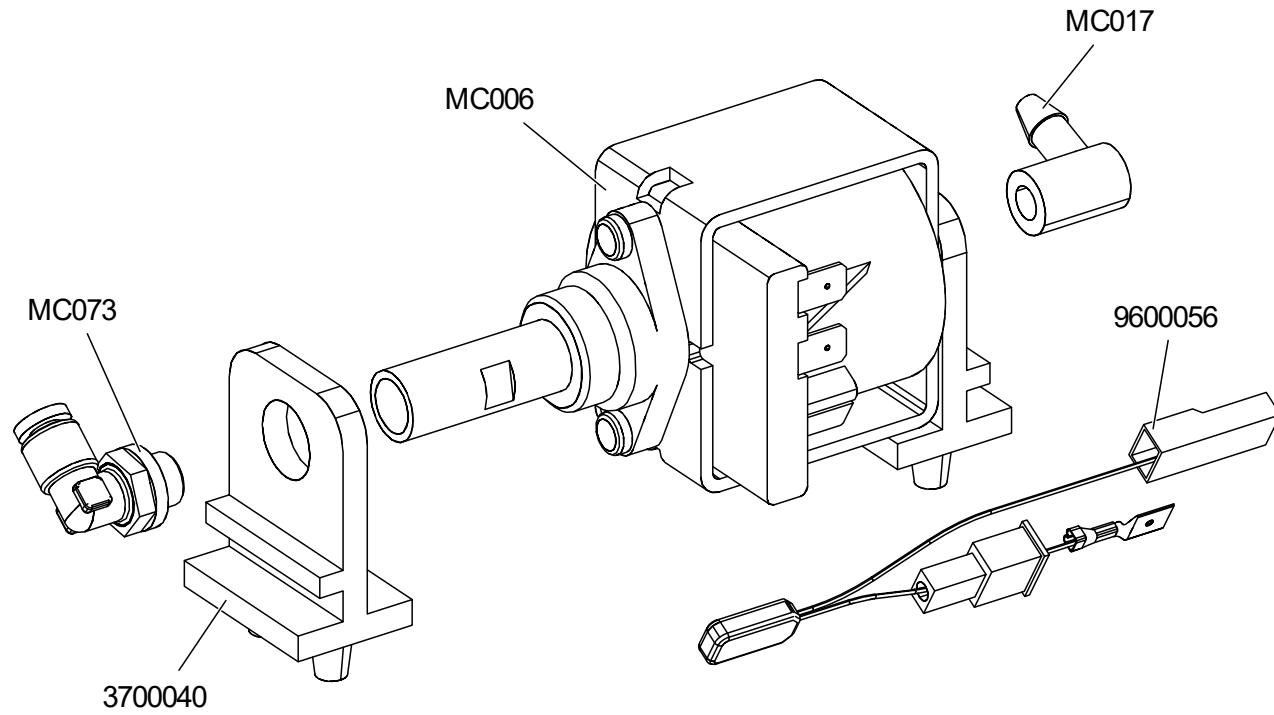


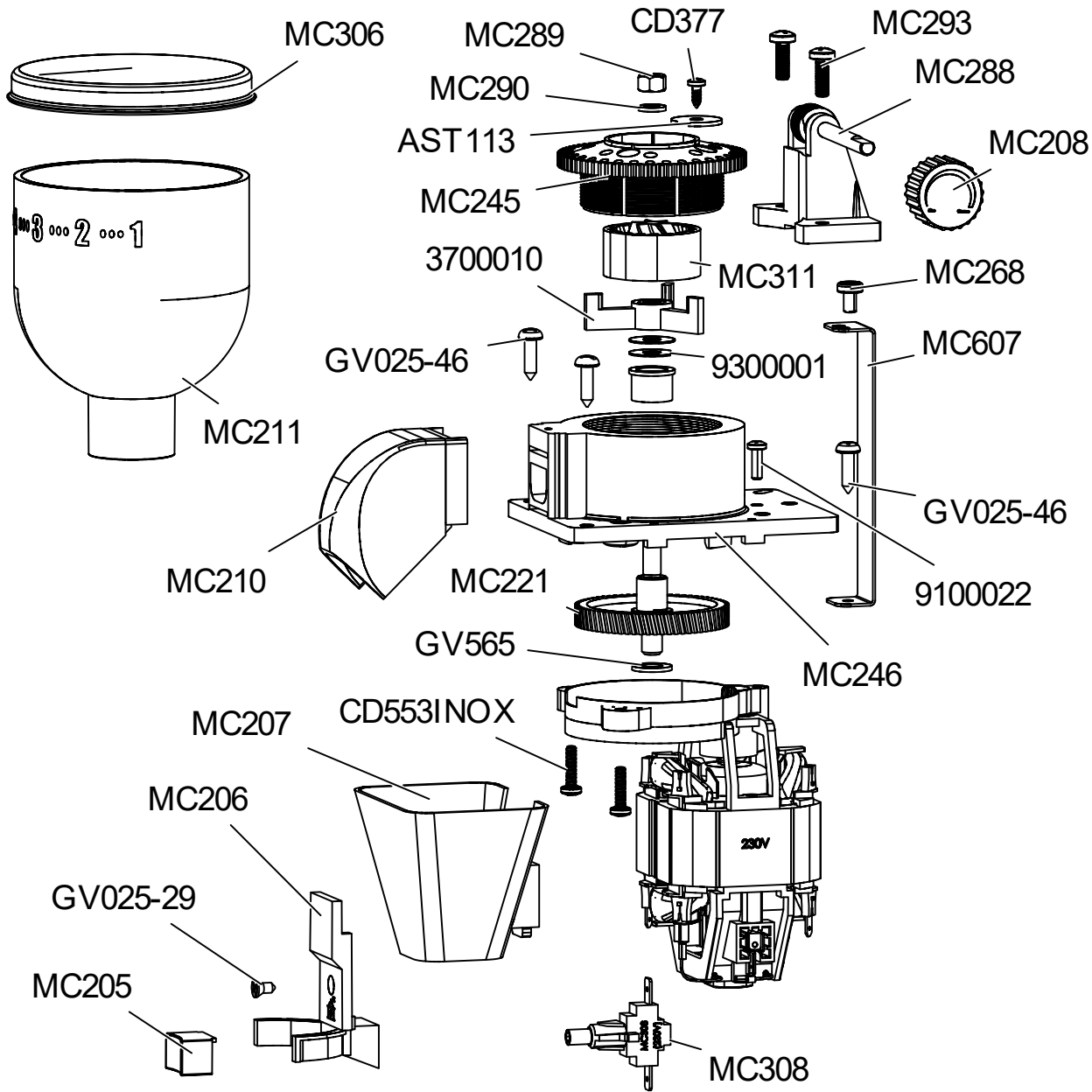
-  = use sealant Loxeal 85-86 (COD. 9500050) 
-  = use sealant Loxeal 55-03 (COD. 9500051) 
-  = use grease Molycote G-1502 (COD. 9500049) 



CODE	DESCRIPTION
CD024/462	T JOINT 1/8
MC010	3WAY SOLENOID VALVE S9000A DN1
MC017	RUBBER CONNECTION
MC072	QUICK RELEASE JOINT
MC073	L QUICK RELEASE JOINT Diam.5-M1/8G

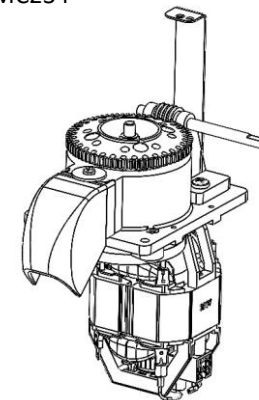
CODE	DESCRIPTION
3700040	PUMP SUPPORT
9600056	110° THERMIC VIBRATION PUMP PROTECTOR
MC006	VIBRATION PUMP 230V 50HZ
MC017	RUBBER CONNECTION
MC073	L QUICK RELEASE JOINT Diam.5-M1/8G



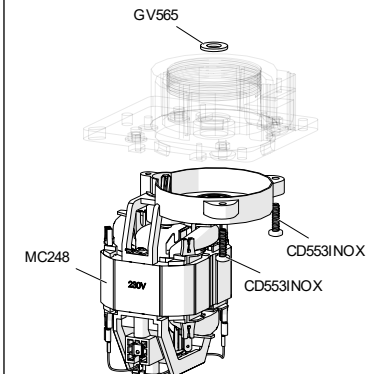


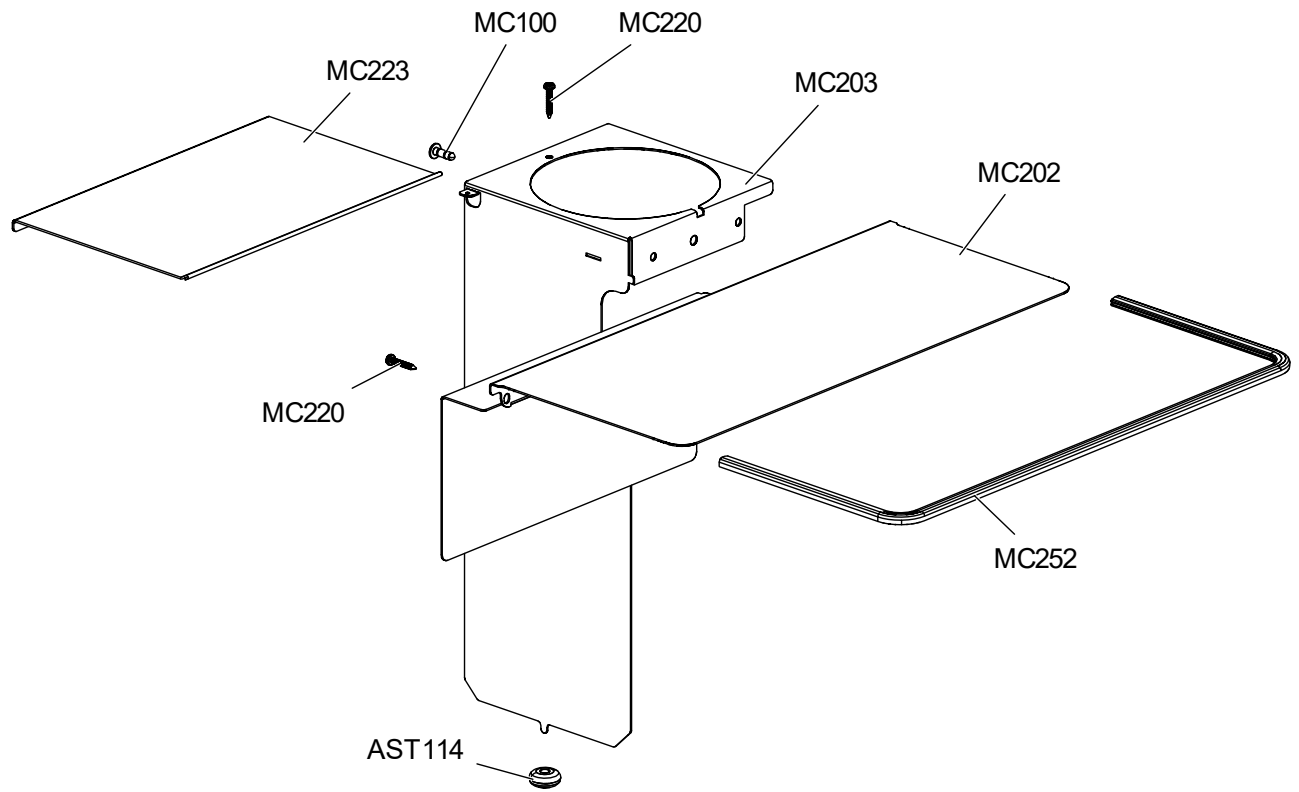
CODE	DESCRIPTION
3700010	STAR FOR GRINDER
4000001	KIT GRINDER MOTOR 230V
9100022	SCREW 4Mx6 FOR FIXING THE THERMOSTAT
9300001	WASHER Diam.18-Diam.7,1-SP0,5
AST113	FLAT WASHER 20X5X1.5
CD377	SCREW 3,5x9,5
CD553INOX	SCREW M4*16 IN STAINLESS STEEL
GV025/29	SCREW FOR IRON SUPPORT
GV025/46	SCREW 4,8x16
GV565	FLAT WASHER
MC205	GRINDING BUTTON
MC206	PLASTIC SUPPORT
MC207	GROUND COFFEE DISPENSER
MC208	SILKSCREEN PRINTED GRINDING KNOB
MC210	PLASTIC COFFEE CHUTE
MC211	GREY BEAN BOWL DIAM. 90MM 150GR.
MC221	WHEEL FOR GRINDER
MC234	GRINDER GROUP 230V
MC245	CONICAL MILL SUPPORT Diam.38
MC246	MILL SUPPORT Diam.38
MC268	SCREW M5x8
MC288	KIT F/GRINDER REGULATION W/STAFF - LENGHT 56MM.
MC289	NUT 6MA
MC290	STAINLESS STEEL WASHER - M6 UNI 1751
MC293	SCREW TCB+ Fe M 5x16 UNI 7687 DIN 7985
MC306	INOX COVER FOR BEAN BOWL Diam.90
MC308	COFFEE GRINDER SWITCH 90° 16A 250V
MC311	CONIC MILLS D.38MM
MC607	C BRACKET FOR GRINDER

MC234

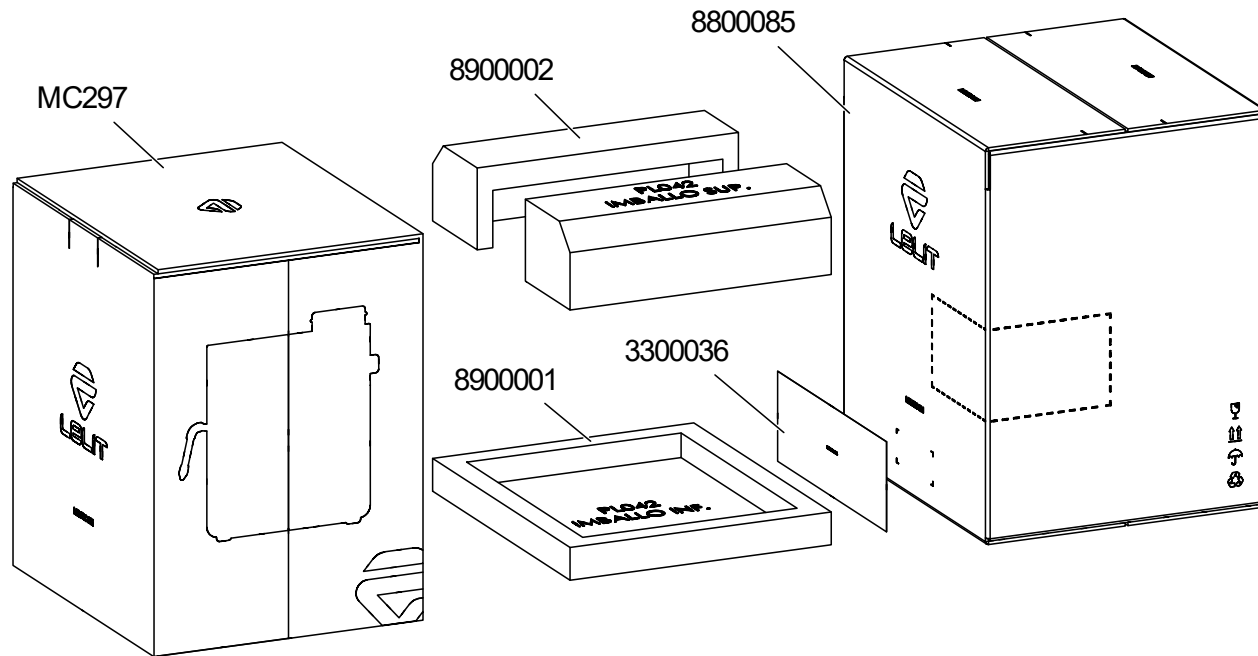


4000001

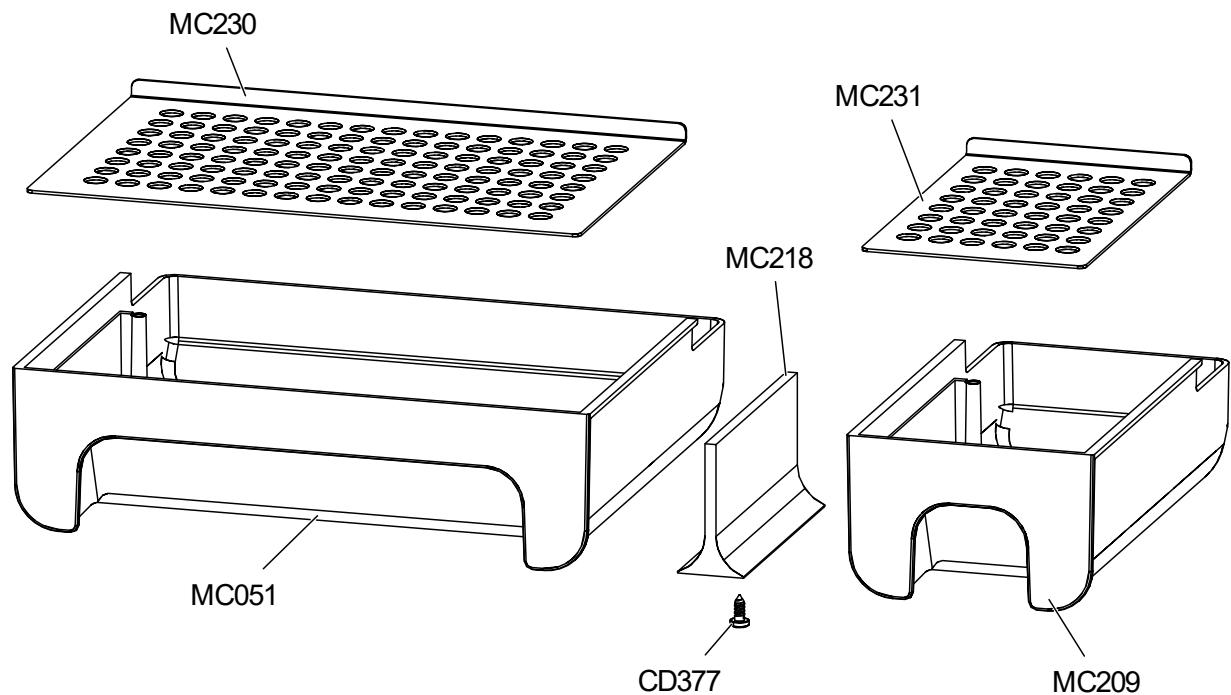




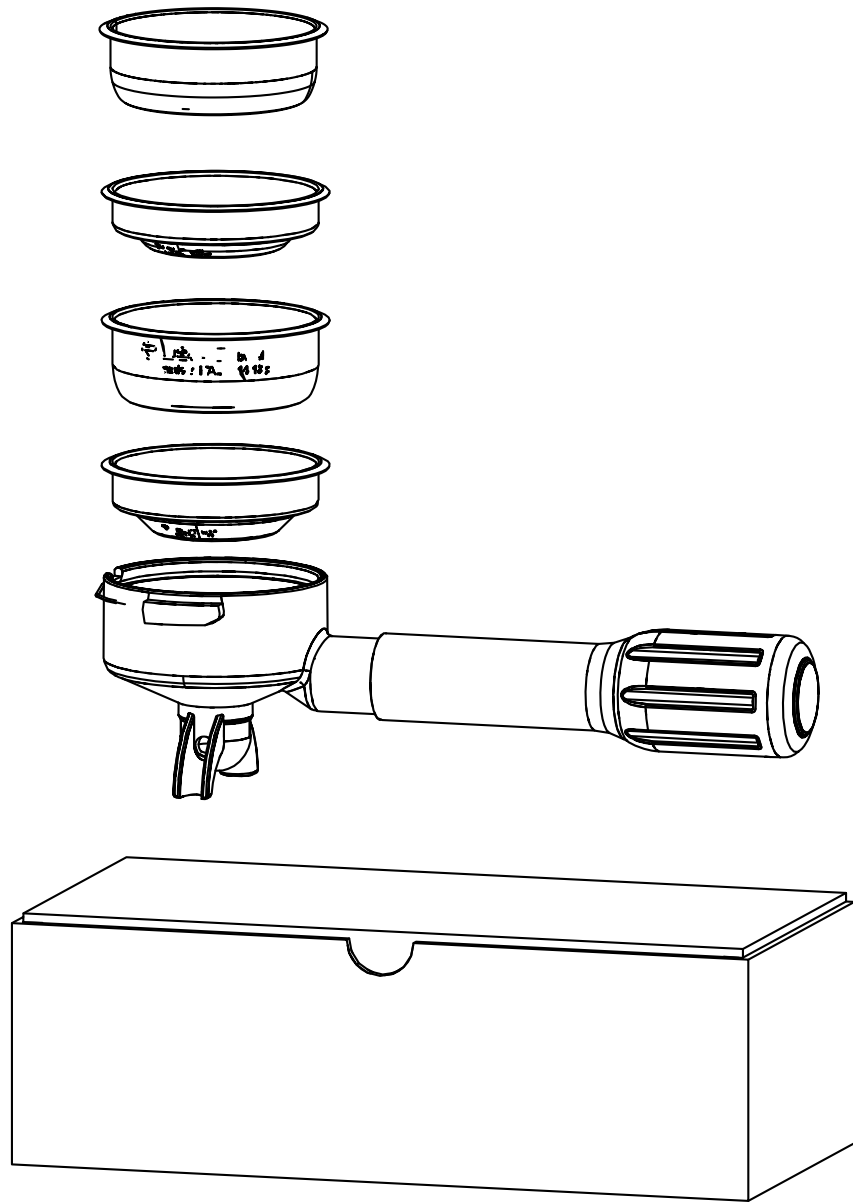
CODE	DESCRIPTION
AST114	SILICONE FAIRLEAD
MC100	RIVET FOR FEET FOR 040/041
MC202	FRONT FIXED COVER
MC203	GRINDER PARTITION COVER
MC220	COVER SCREW 2,9X16 FOR PL042NEW
MC223	REMOVABLE COVER
MC252	GASKET FOR FIX COVER L.51 CM +0 -0.5



CODE	DESCRIPTION
3300036	LABEL
8800085	MASTER CARTON
8900001	LOWER POLYURETHANE PACKING MATERIAL
8900002	UPPER POLYURETHANE PACKING MATERIAL 2 PCS
MC297	BOX



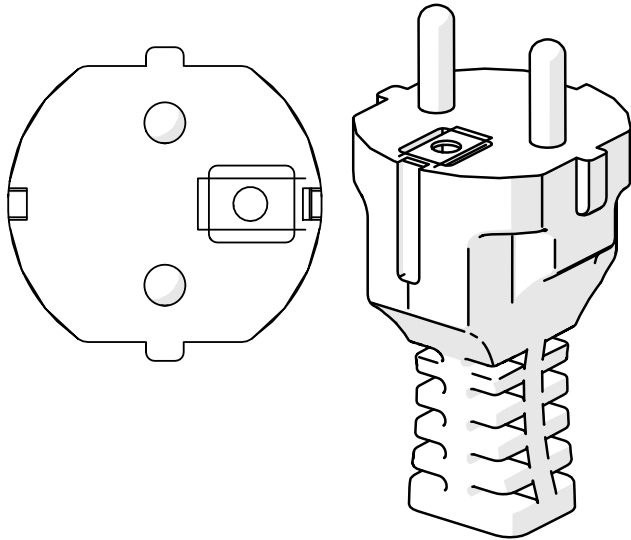
CODE	DESCRIPTION
CD377	SCREW 3,5x9,5
MC051	WATER TRAY
MC209	SMALL TRAY
MC218	TRAY SPACER
MC230	CUP GRILL WITH ROUND HOLES
MC231	GRINDER GRILL WITH ROUND HOLES



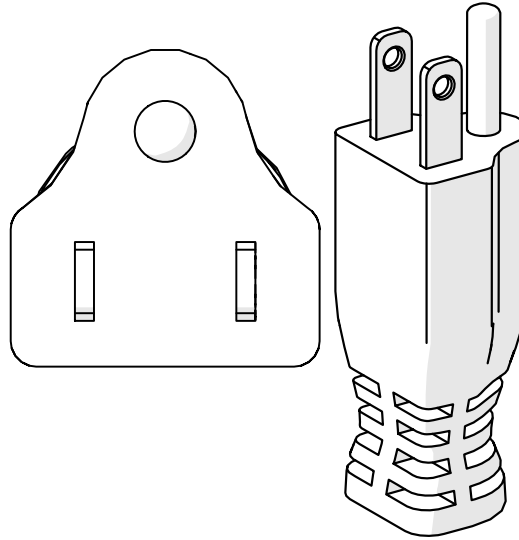
CODE

DESCRIPTION
EQUIPMENT BOX

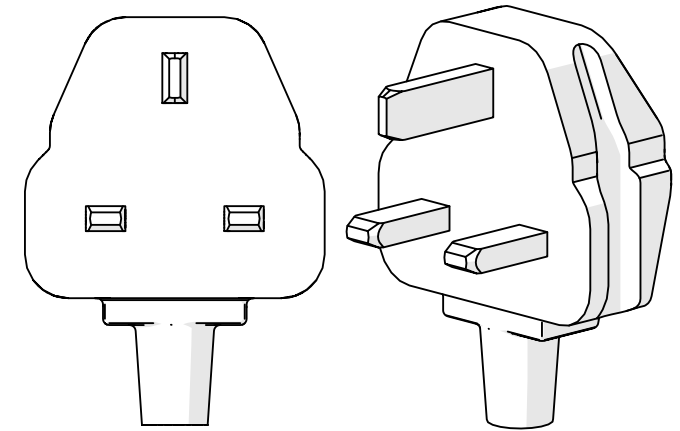
MC269 (EUROPE)



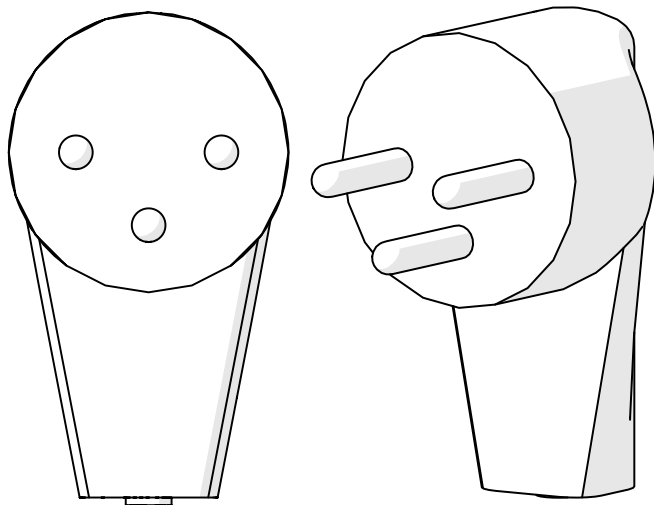
MC269-110 (UNITED STATES)



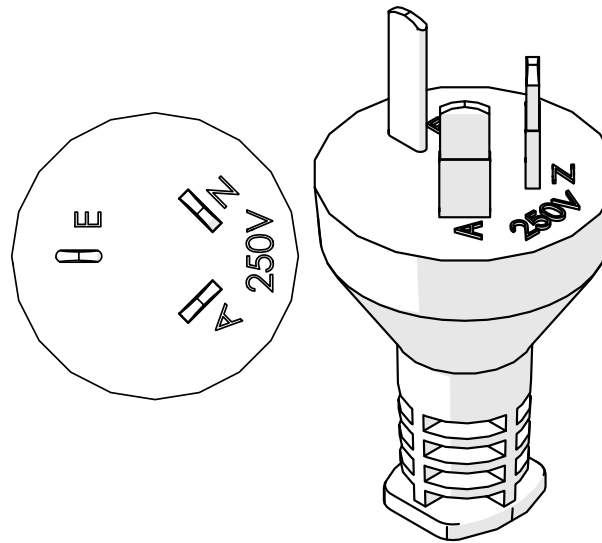
MC269UK (UNITED KINGDOM)



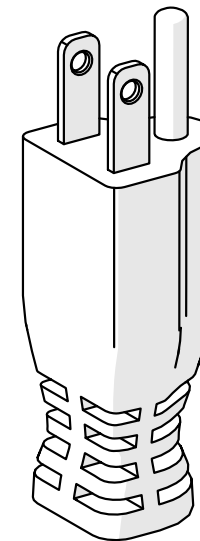
MC269IL (ISRAEL)



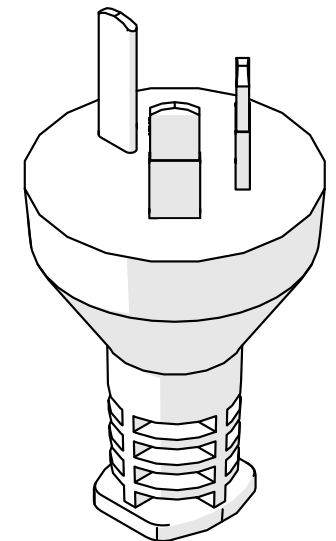
MC269AUS (AUSTRALIA)



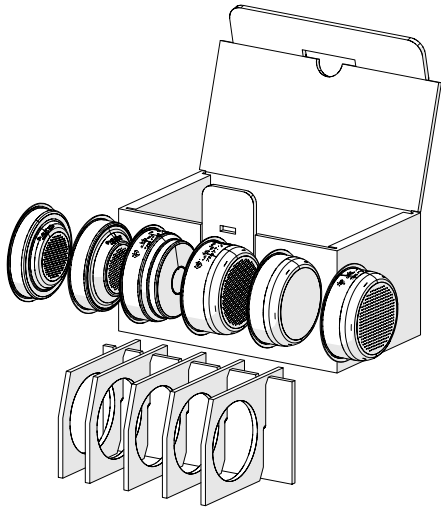
MC269-100 (JAPAN)



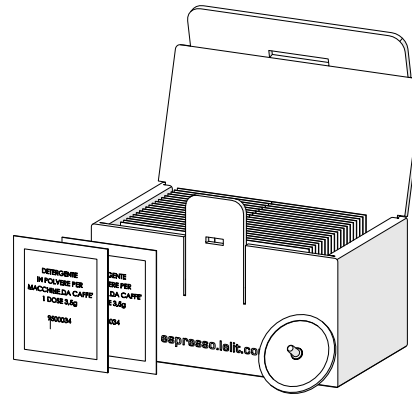
MC269CHN (CHINA)



PLA170S



PLA9201

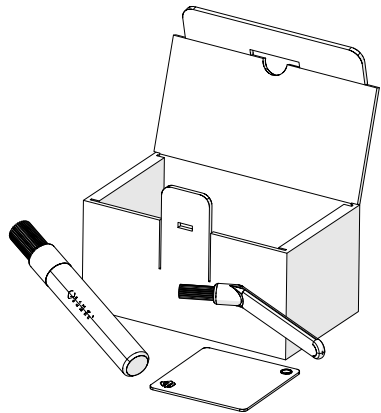


PLA9203

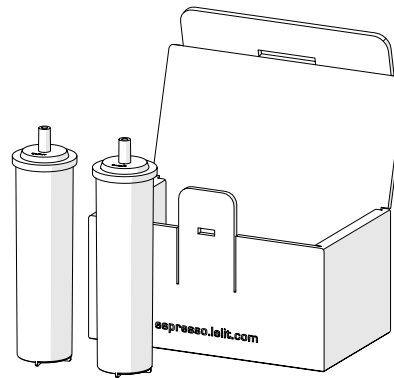


CODE	DESCRIPTION
PLA170S	LELIT57 FILTERS SET
PLA9101	CLEANING KIT
PLA9201	PACKAGE OF 40 SINGLE-DOSE (3.5GR) GROUP CLEANER
PLA9202	BURRS CLEANING KIT
PLA9203	PACKAGE OF 10 SINGLE-DOSE BOTTLE (25ML) STEAM WAND CLEANER
PLA930M	PACKAGE CONTAINING 2PCS OF 70LT RESIN FILTERS

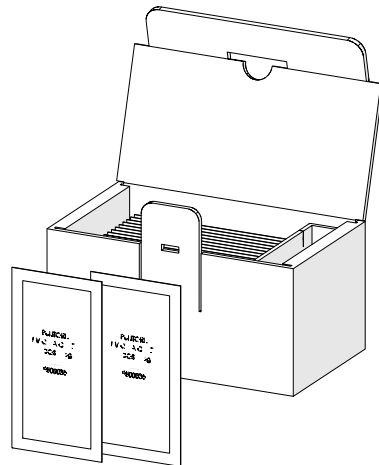
PLA9101



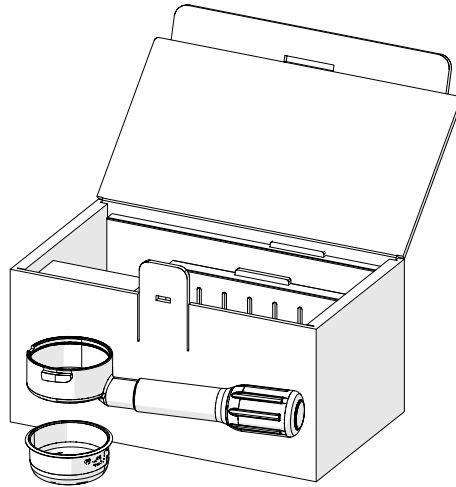
PLA930M



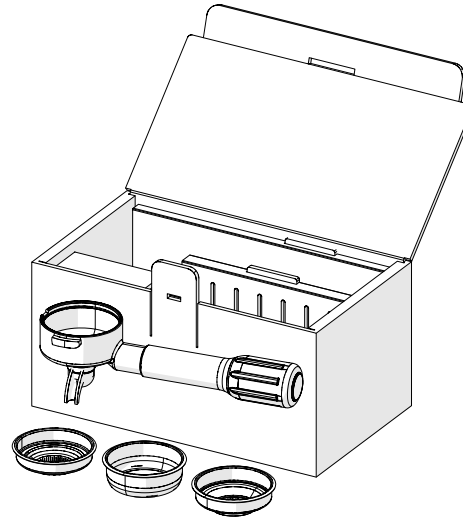
PLA9202



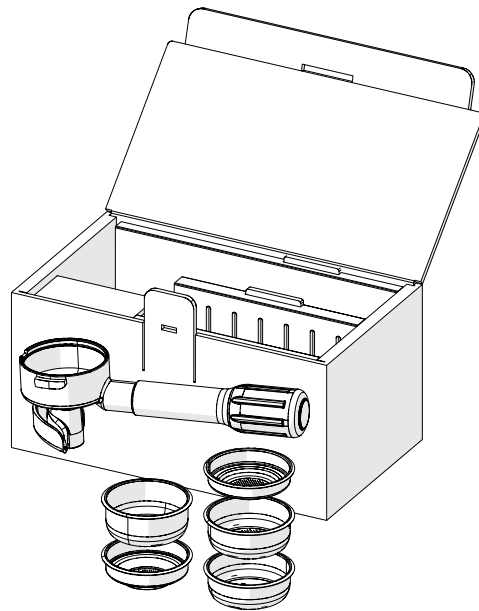
PLA570S



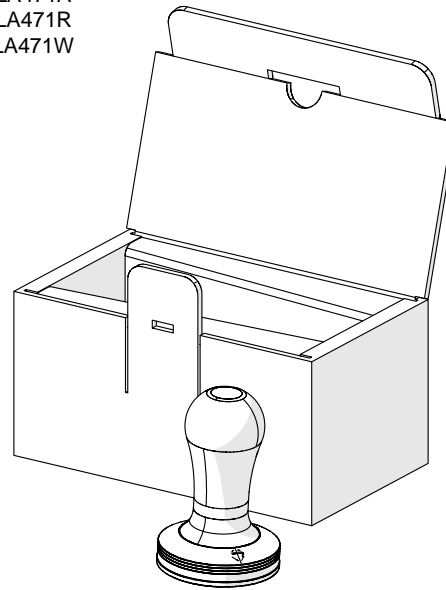
PLA571S



PLA572S



PLA471A
PLA471R
PLA471W



CODE	DESCRIPTION
PLA471A	TAMPER LELIT57 ALUMINIUM HANDLE
PLA471R	TAMPER LELIT57 RED WOODEN HANDLE
PLA471W	TAMPER LELIT57 TWO-TONE WOODEN HANDLE
PLA570S	BOTTOMLESS FILTERHOLDER LELIT57
PLA571S	1-WAY FILTERHOLDER LELIT57
PLA572S	2-WAYS FILTERHOLDER LELIT57