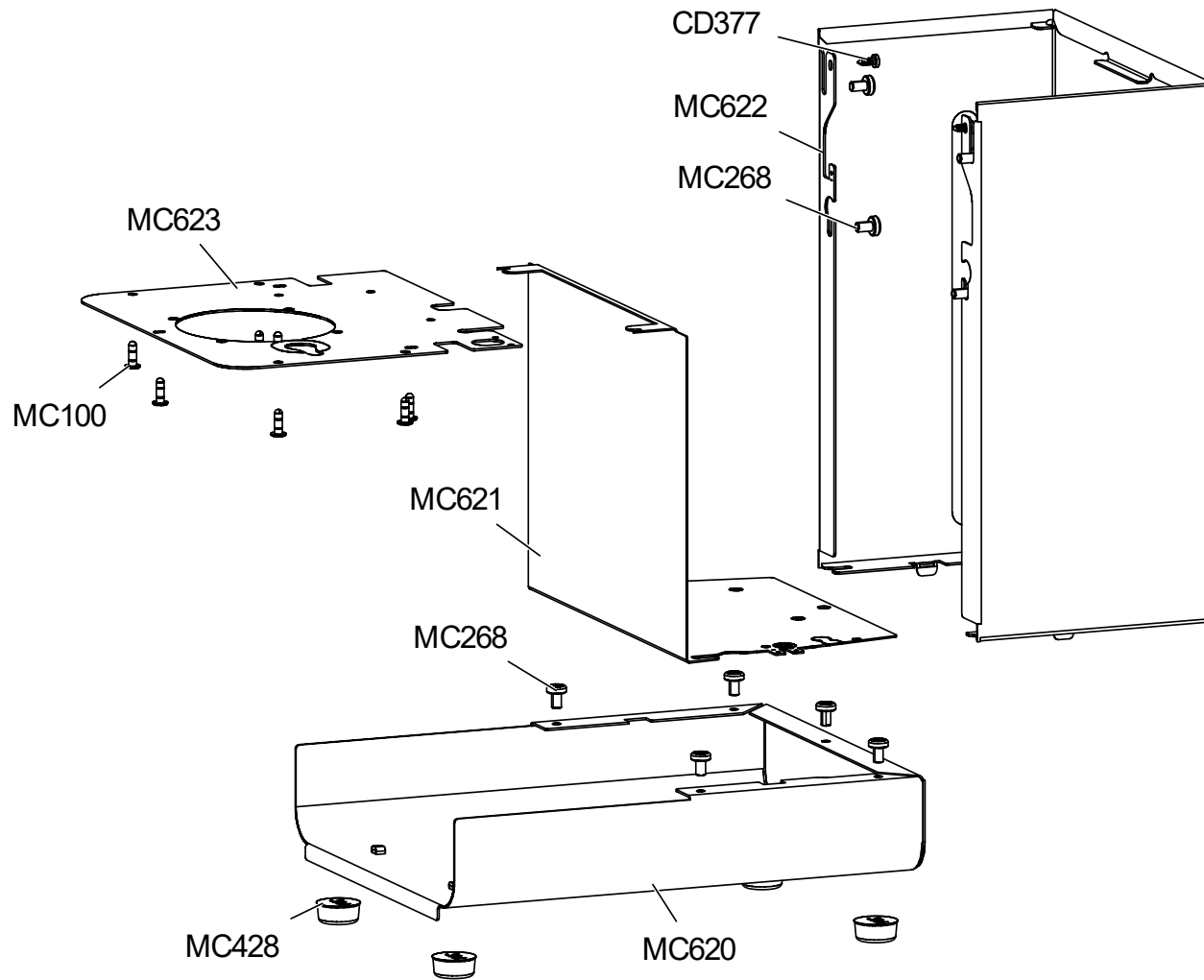


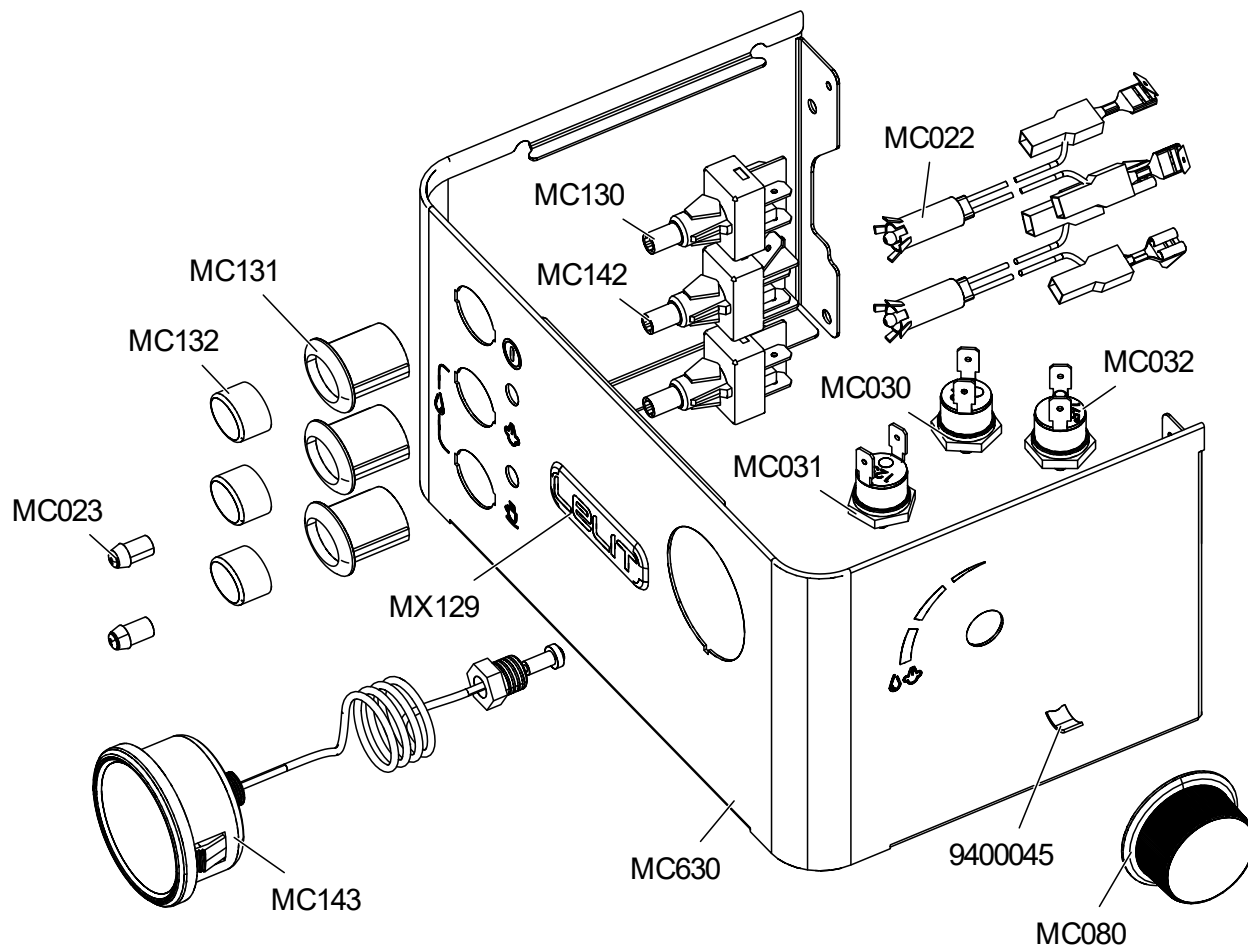
**Anna
PL41EM**

Technical Documentation

COD. 5200087TC

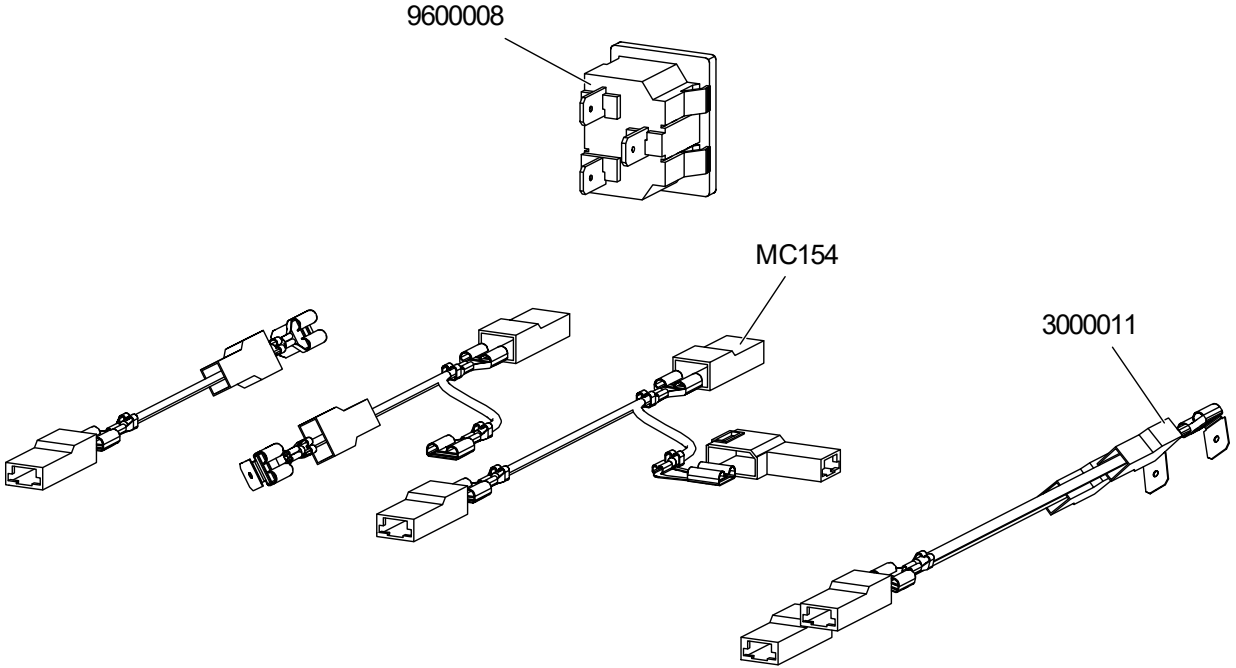


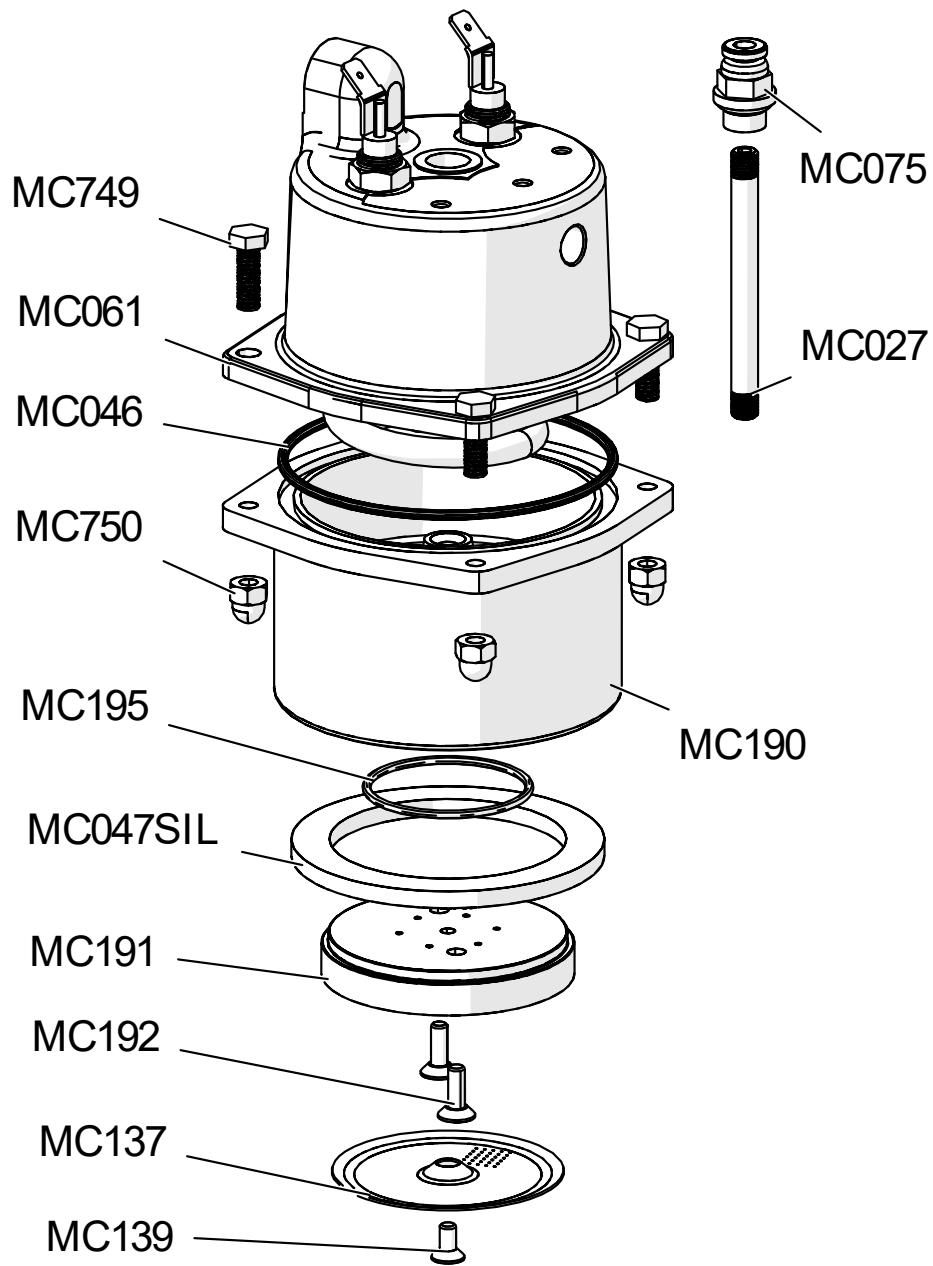
CODE	DESCRIPTION
CD377	SCREW 3,5x9,5
MC100	RIVET FOR FEET FOR 040/041
MC268	SCREW M5x8
MC428	STICKY FEET BLACK 22.3MMX10.1
MC620	APPLIANCE BODY BASE FOR PL41
MC621	TANK BASE FOR PL41
MC622	BACK APPLIANCE BODY FOR PL41
MC623	BASE PLAQUE FOR PL41



CODE	DESCRIPTION
9400045	KNOB SUPPORT 6,8-11,3-0,4
MC022	LED
MC023	ORANGE LED COVER
MC030	BIMETALLIC THERMOSTAT 95° 261 FOR 040/041
MC031	BIMETALLIC THERMOSTAT 125° 261 FOR 040/041
MC032	MANUAL REARM BIMETALLIC THERMOSTAT 165°
MC080	KNOB FOR ART.040/041
MC130	BIPOLAR SWITCH
MC131	OVAL, CHROMED SWITCH SUPPORT
MC132	CHROMED OVAL BUTTON FOR 046
MC142	SWITCH FOR PL50
MC143	BULB MANOMETER
MC630	FRONT PANEL FOR PL41EM - OVAL SWITCHES AND MANOMETER
MX129	LELIT LOGO STICKER 50x16

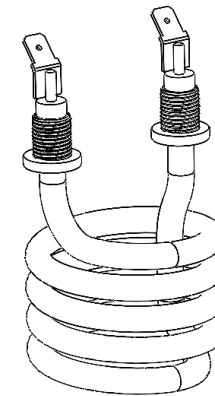
CODE	DESCRIPTION
9600008	IEC PANEL SOCKET
3000011	WIRING FOR IEC ON/OFF PL41EM
MC154	WIRING FOR PL50 & PL042E



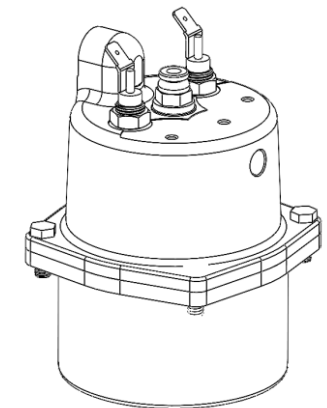


CODE	DESCRIPTION
ASS.MC190	BOILER 230V 1000W W/ MC047SIL
MC027	INJECTION PIPE
MC029	COPPER HEATING ELEMENT 1000W-230V
MC045	O-RING 9x2
MC046	OR 3275 Diam.i 69,52 - t 2,62 SILICONE 70 sh ±5
MC047SIL	SILICONE BREWING GROUP GASKET
MC061	UPPER PART BOILER LELIT57
MC075	QUICK RELEASE JOINT
MC137	SHOWER FILTER Diam.52
MC139	SCREW M4x8 DIN965 TORX T20
MC190	LOWER PART BOILER LELIT57
MC191	DIFFUSER
MC192	SCREW M4x12 DIN965 TORX T20
MC195	SILICONE GASKET
MC749	SCREW M5x16 UNI EN 4017
MC750	BLIND NUT M5 F/BOILER

MC029



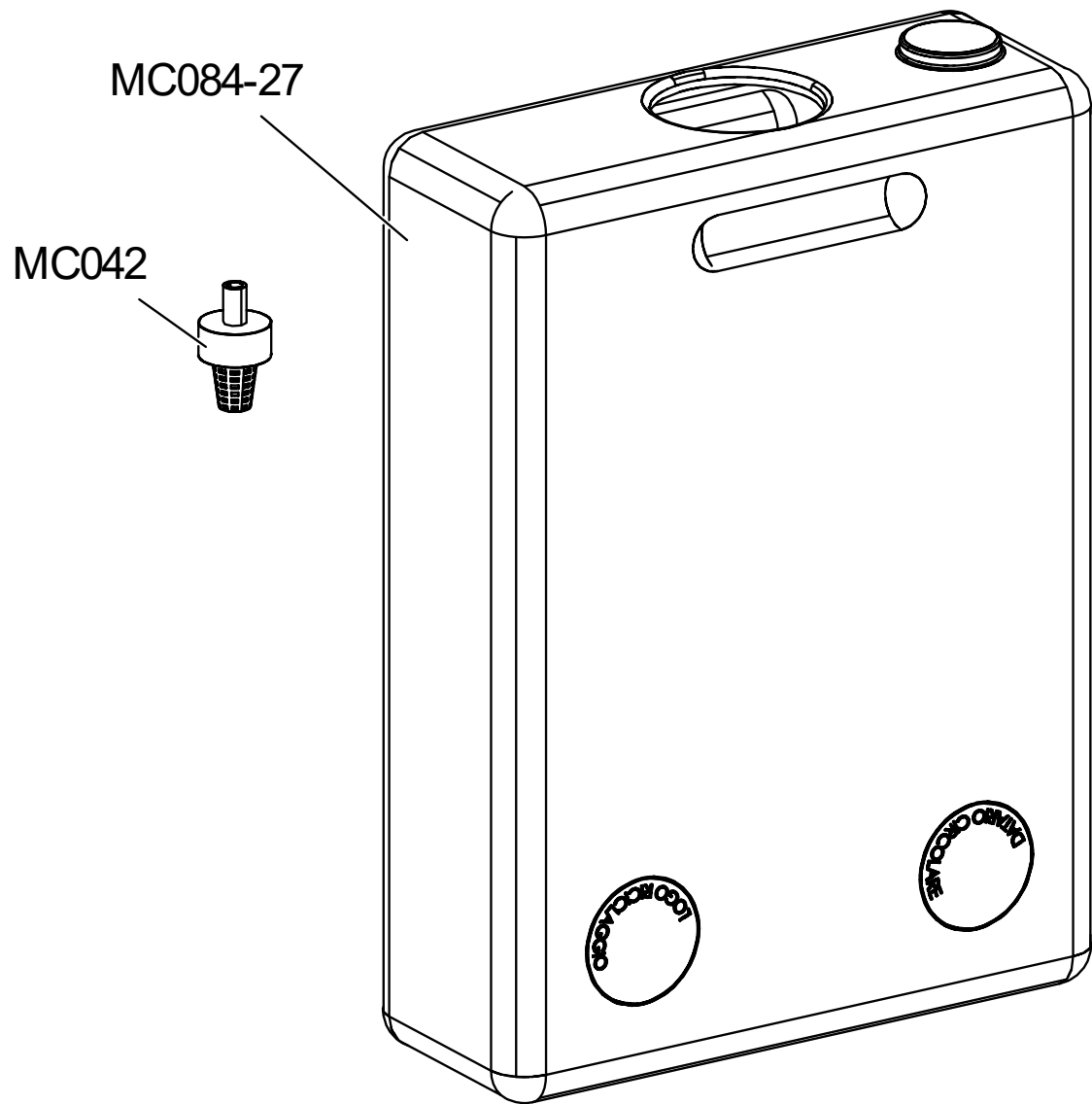
ASS.MC190

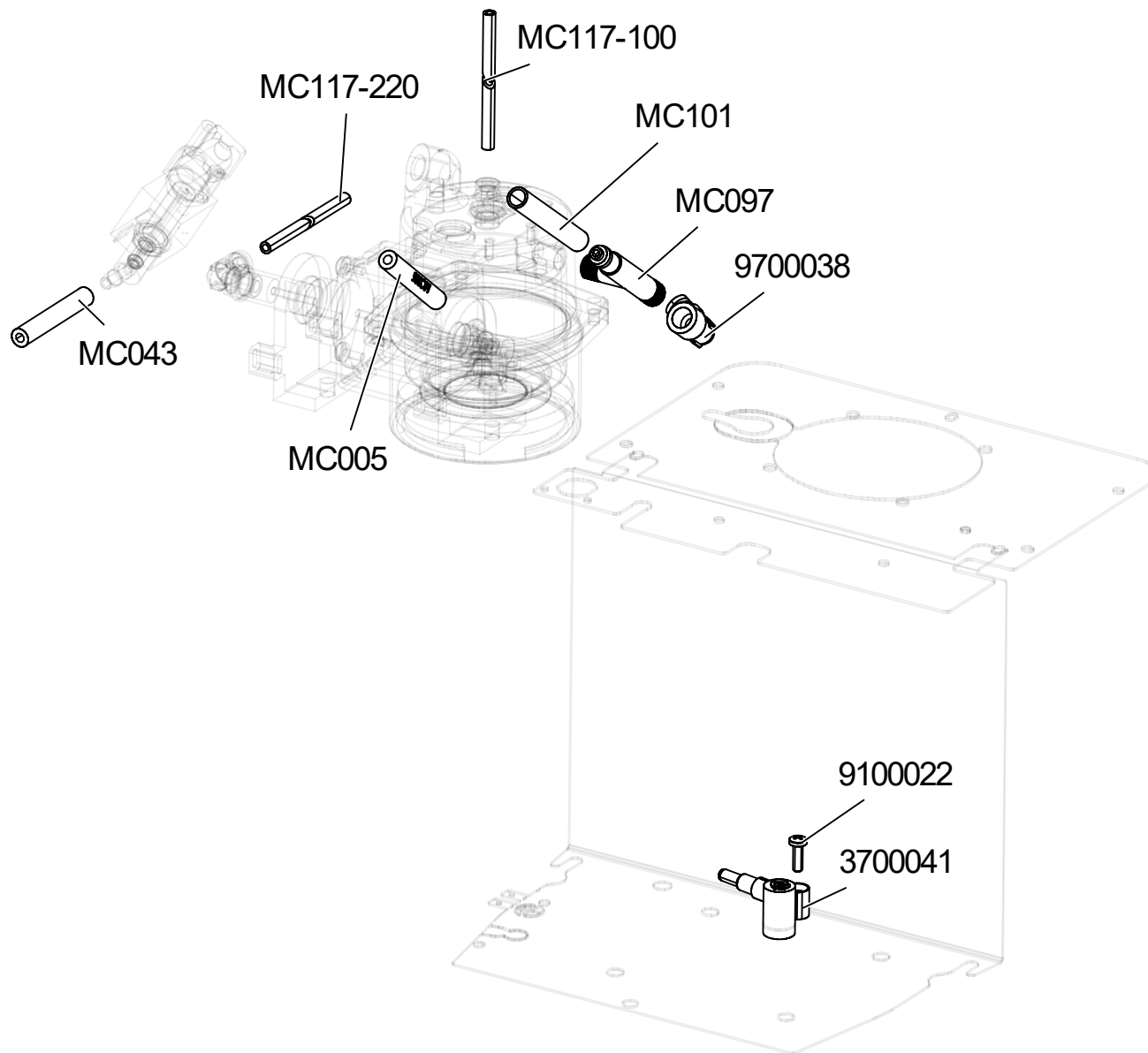


MC045 MC045

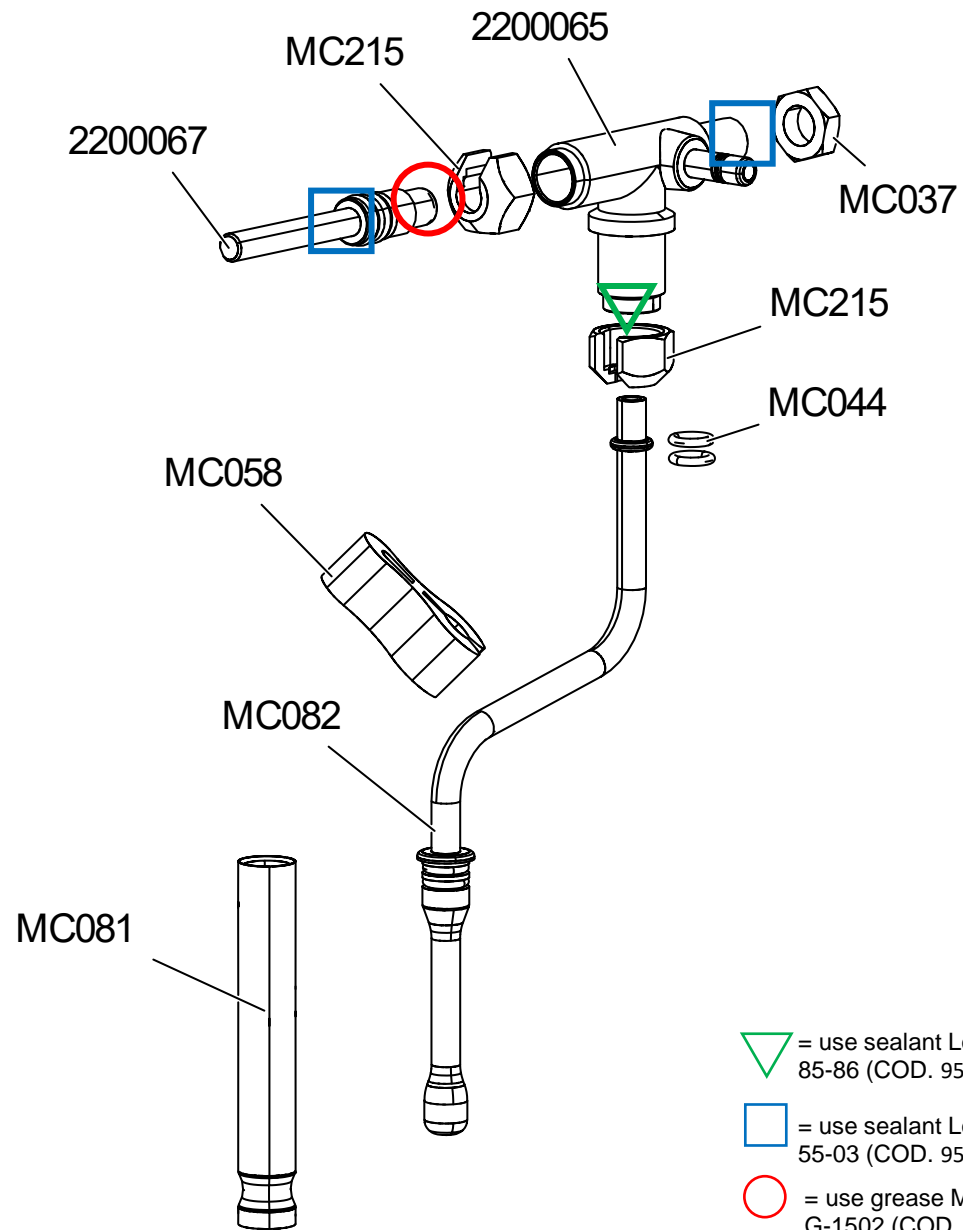


CODE	DESCRIPTION
MC084/27	WATER TANK 2,7lt
MC042	WATER FILTER

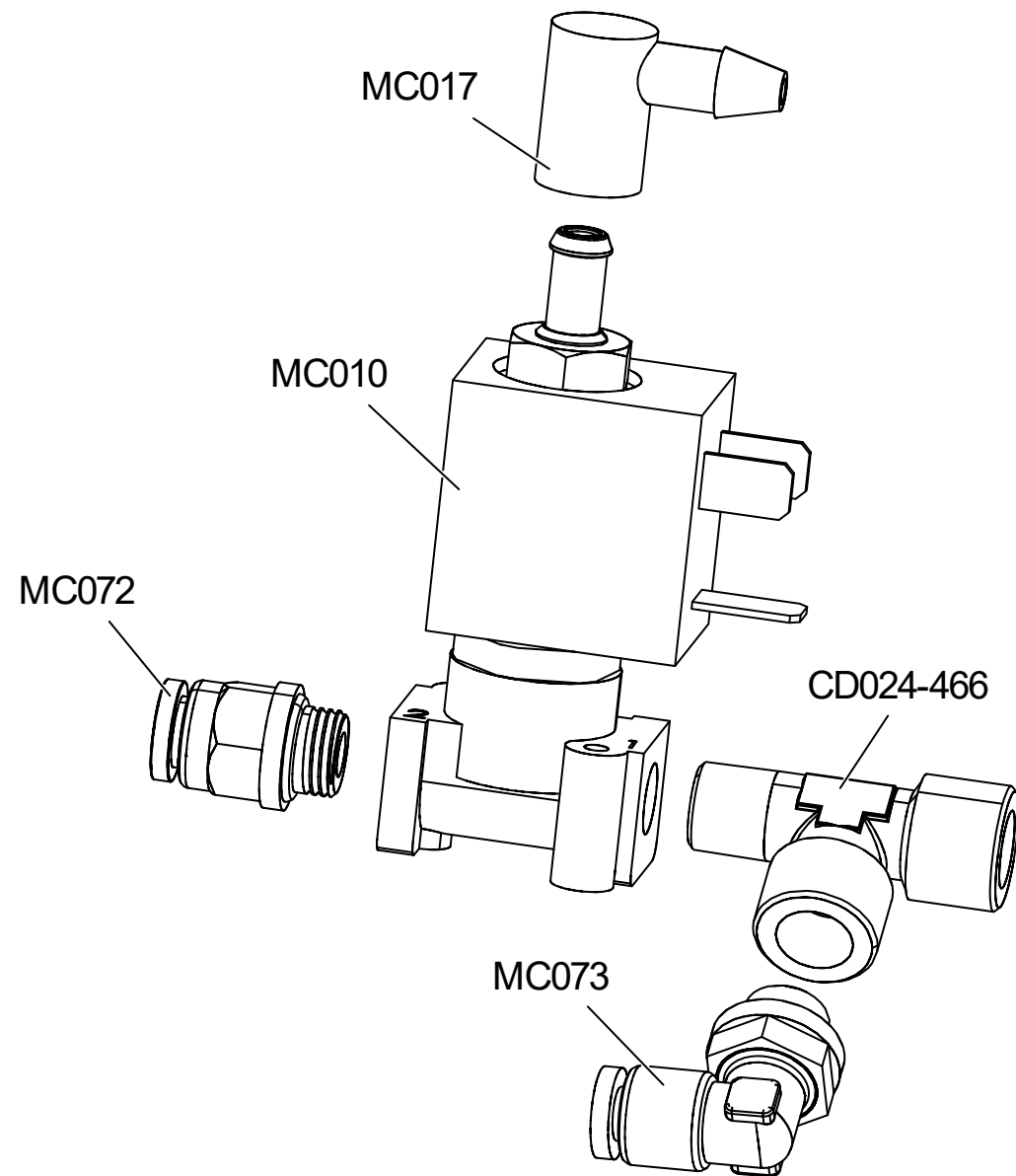




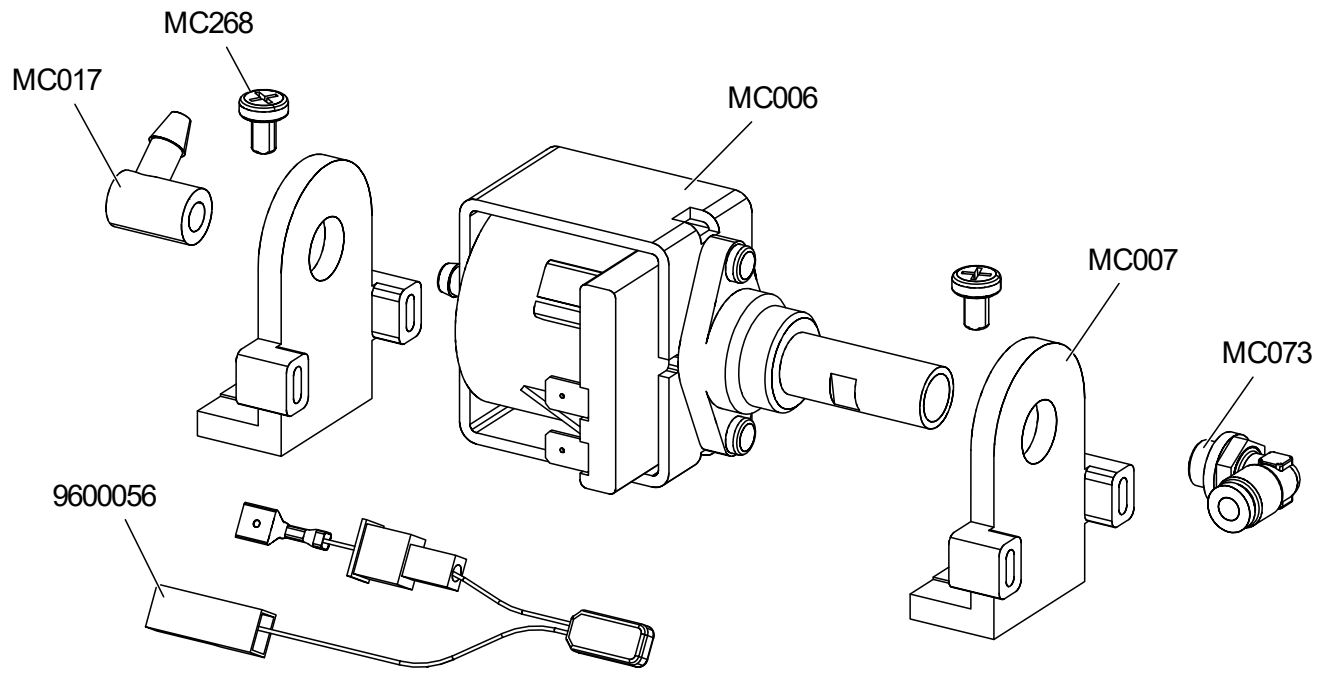
CODE	DESCRIPTION
3700041	PIPETTE
9100022	SCREW 4Mx6
9700038	L JOINT F1/8 QUICK CONNECTION Diam.5
MC005	SILICONE HOSE 4X8 L42CM
MC043	SILICONE HOSE 4X8 L25CM
MC097	OVERPRESSURE VALVE
MC101	SILICONE HOSE 6X9 40CM
MC117-100	PTFE TUBE Diam.e5 sp1 L=100
MC117-220	PTFE TUBE L=220



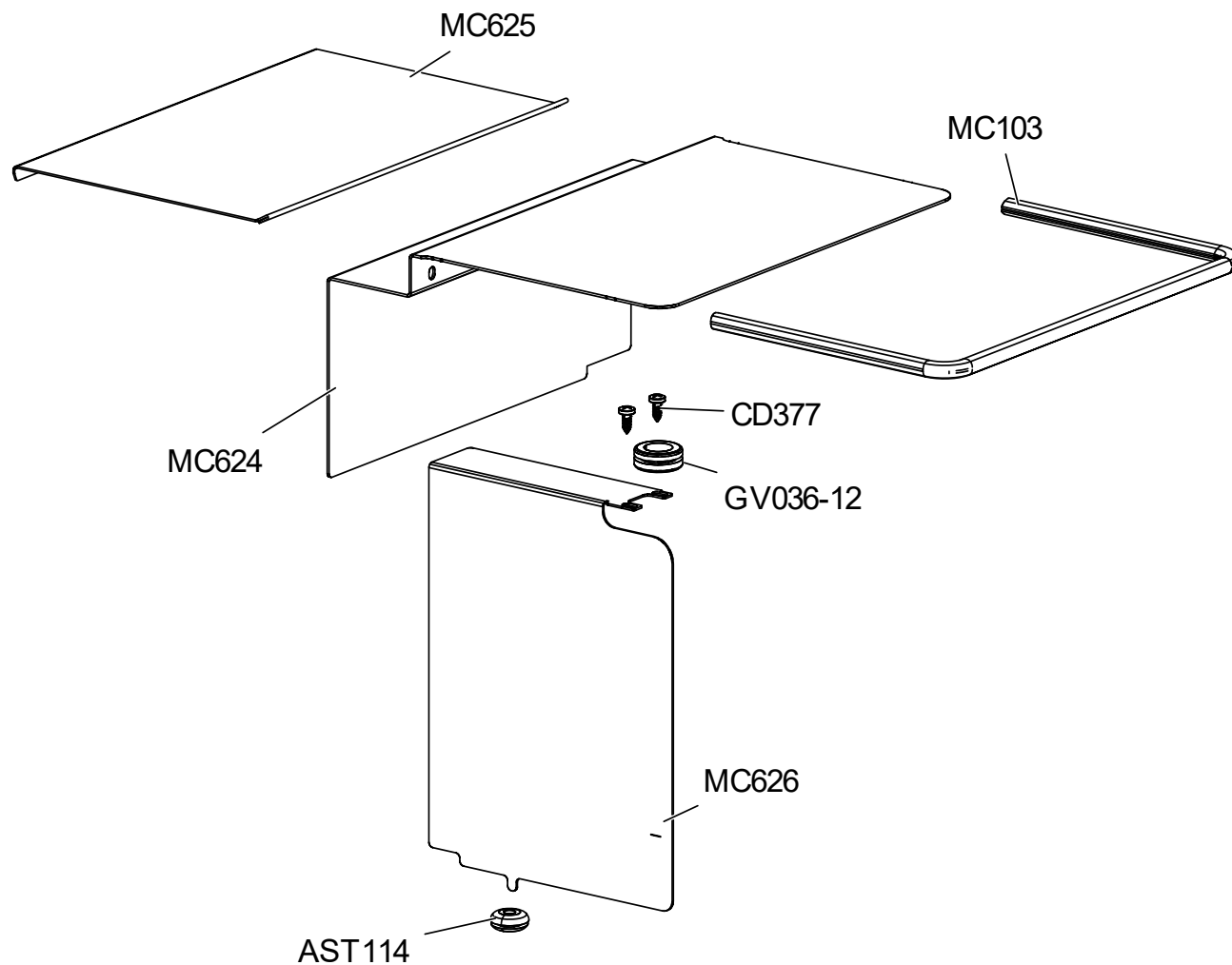
CODE	DESCRIPTION
2200065	TAP
2200067	ROD FOR TAP ON PL41 AND PL41PLUS WITH TEFON HOLDING
MC037	BRASS NUT 1/8G CH=14 h=4,5
MC044	O-RING 6,07X1,78
MC058	FLYER FOR STEAM TUBE Diam.6
MC081	CHROMED TUBE FOR ART.040/041
MC082	CHROMED STEAM TUBE FOR ART.040/041
MC215	NUT M14



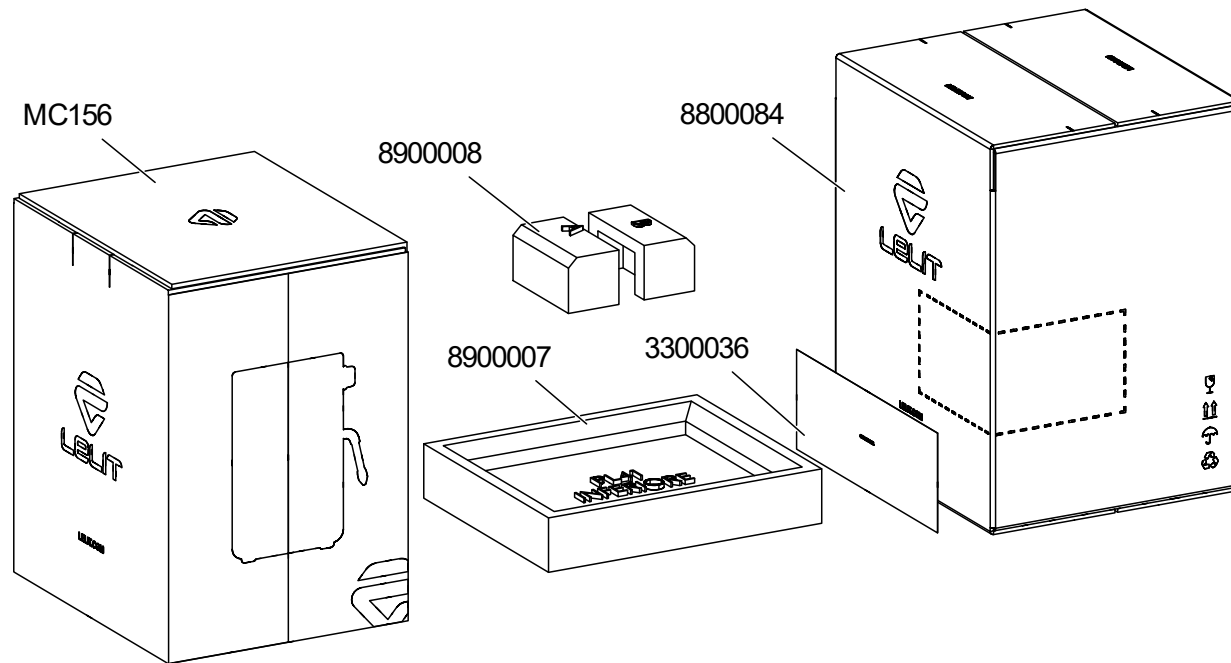
CODE	DESCRIPTION
CD024/466	T JOINT 1/8
MC010	3WAY SOLENOID VALVE S9000A DN1
MC017	RUBBER CONNECTION
MC072	QUICK RELEASE JOINT
MC073	L QUICK RELEASE JOINT Diam.5-M1/8G



CODE	DESCRIPTION
9600056	110° THERMIC VIBRATION PUMP PROTECTOR
MC006	VIBRATION PUMP 230V 50HZ
MC007	"L" SUPPORT FOR PUMP EP5 FOR ART.040/041
MC017	RUBBER CONNECTION
MC073	L QUICK RELEASE JOINT Diam.5-M1/8G
MC268	SCREW M5x8

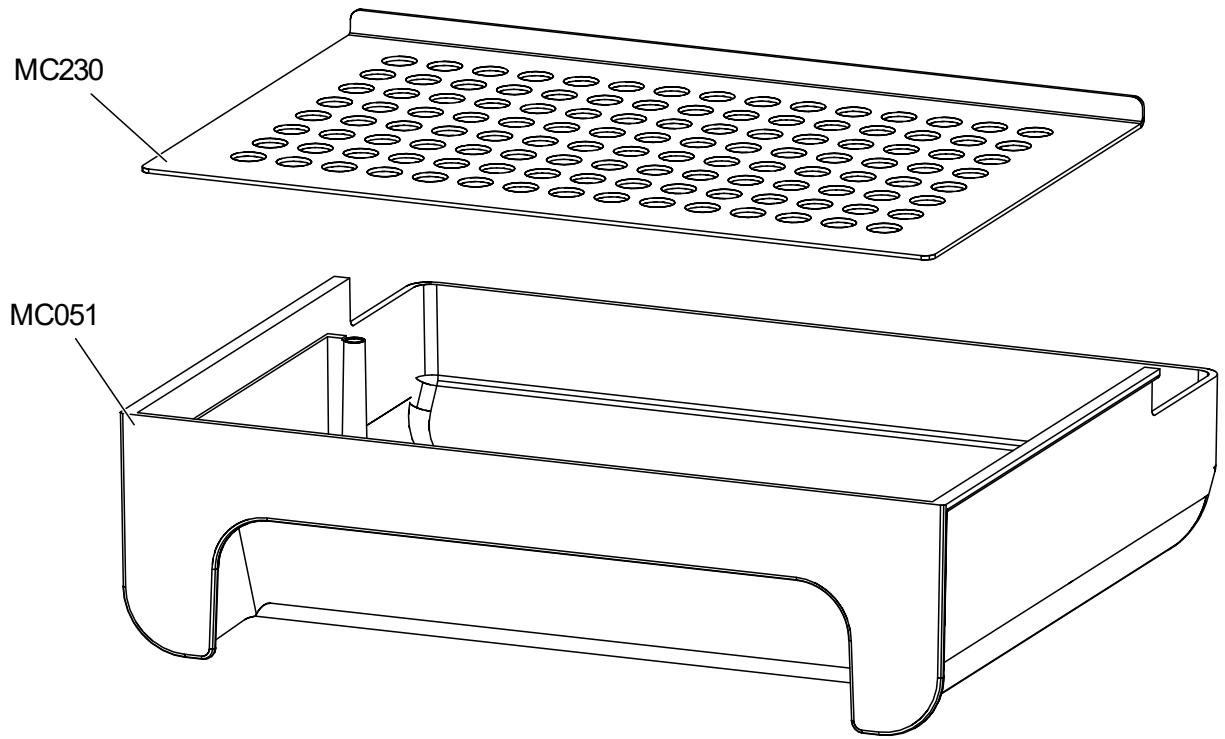


CODE	DESCRIPTION
AST114	SILICONE FAIRLEAD
CD377	SCREW 3,5x9,5
GV036/12	FAIRLEAD FOR CHARGE TUBES F/PG036
MC103	COVER GASKET. B596 L.42,5CM
MC624	FIX COVER FOR PL41
MC625	REMOVABLE COVER FOR PL41
MC626	PROTECTION PLAQUE FOR WIRING PL41

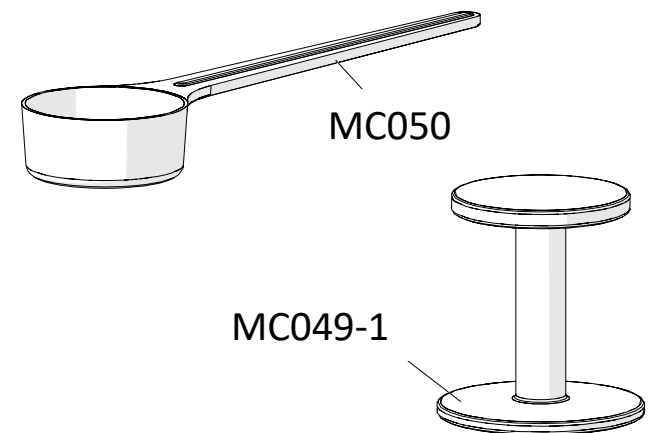
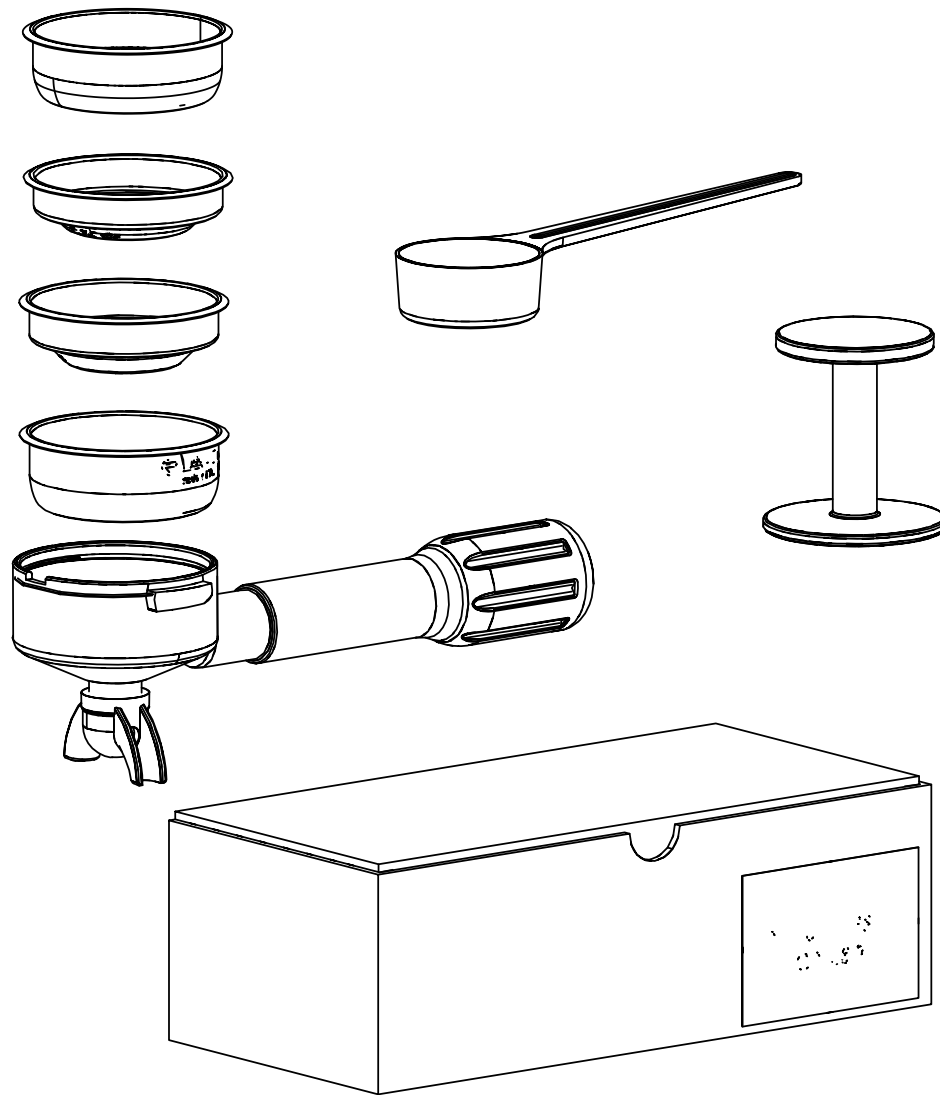


CODE	DESCRIPTION
3300036	LABEL
8800084	MASTER CARTON
8900007	LOWER PACKAGING PL41 BOX
8900008	UPPER PACKAGING PL41 BOX
MC156	BOX FOR PL41

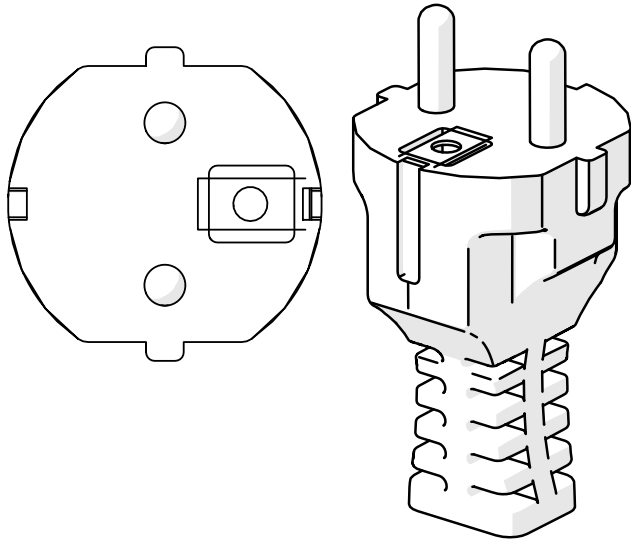
CODE	DESCRIPTION
MC051	WATER TRAY
MC230	CUP GRILL WITH ROUND HOLES



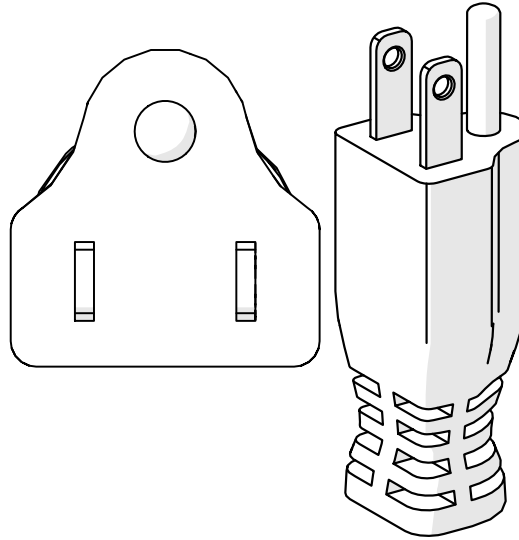
CODE	DESCRIPTION
MC049-1	PLASTIC COFFEE TAMPER
MC050	PLASTIC SPOON FOR COFFEE POWDER
EQUIPMENT BOX	



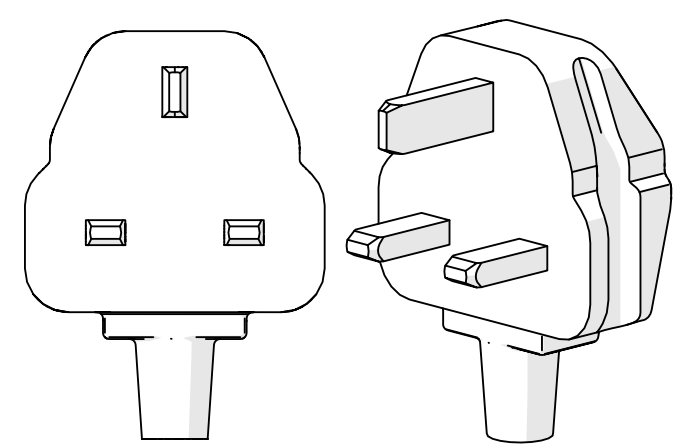
MC269 (EUROPE)



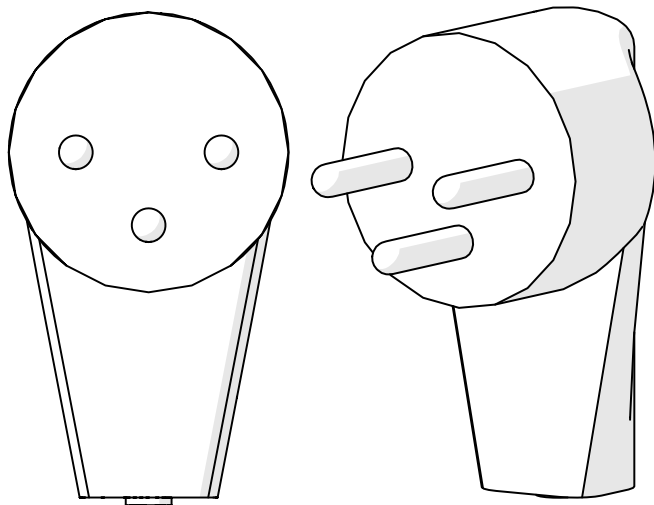
MC269-110 (UNITED STATES)



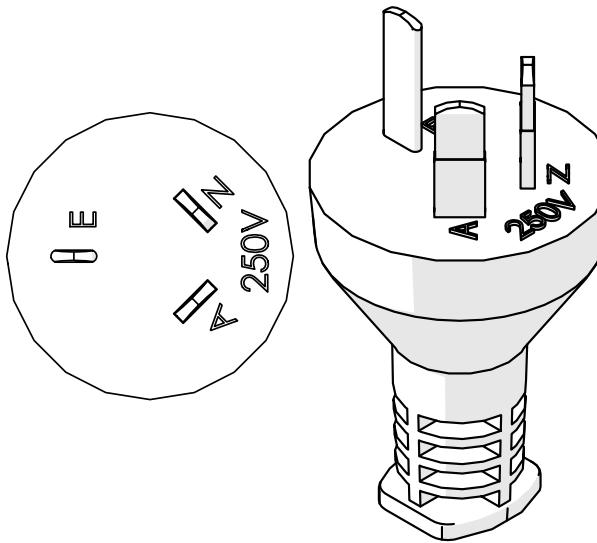
MC269UK (UNITED KINGDOM)



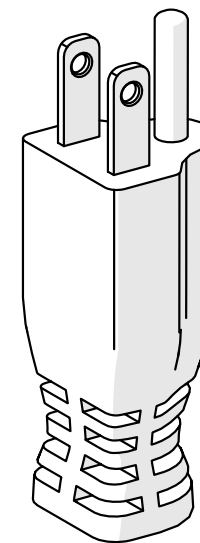
MC269IL (ISRAEL)



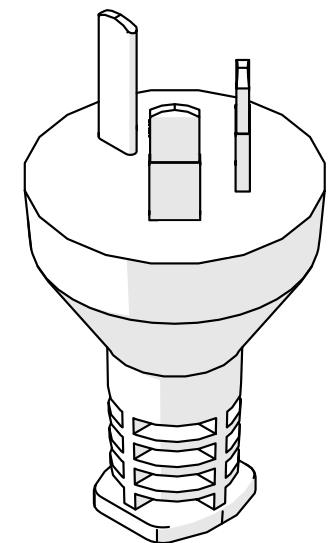
MC269AUS (AUSTRALIA)



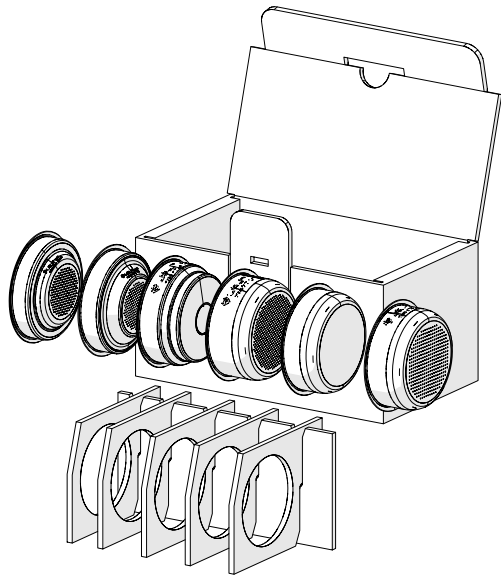
MC269-100 (JAPAN)



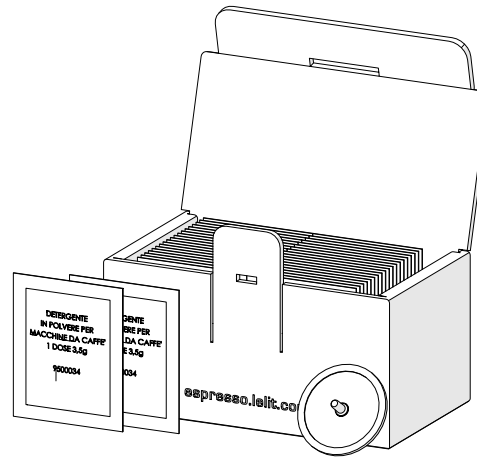
MC269CHN (CHINA)



PLA170S



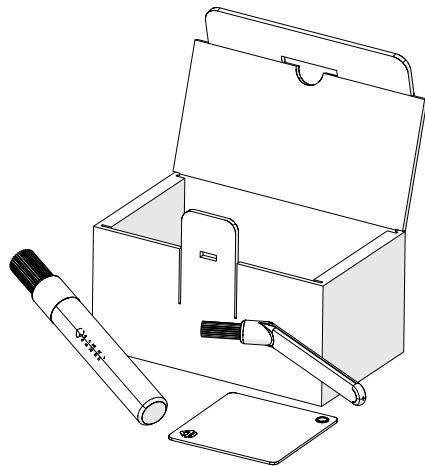
PLA9201



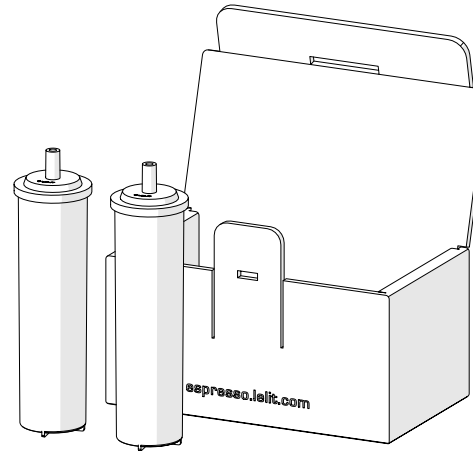
PLA9203



PLA9101

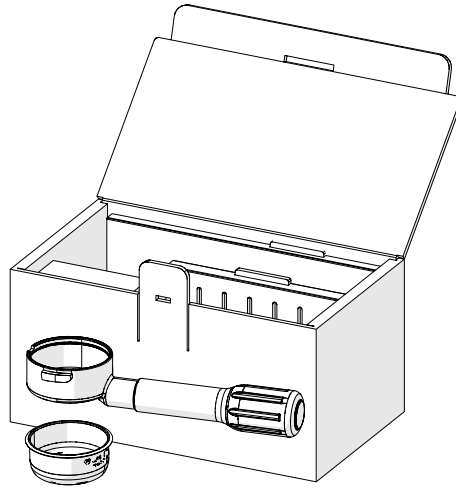


PLA930M

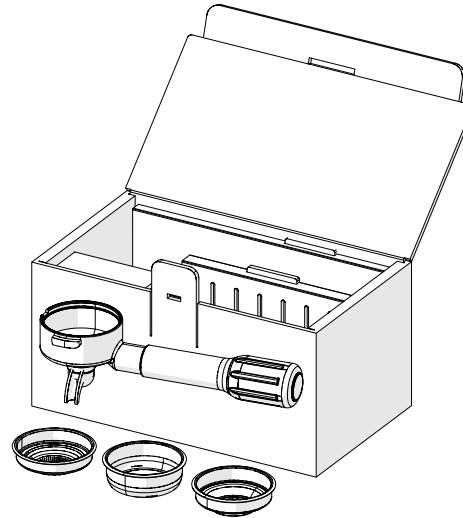


CODE	DESCRIPTION
PLA170S	LELIT57 FILTERS SET
PLA9101	CLEANING KIT
PLA9201	PACKAGE OF 40 SINGLE-DOSE (3.5GR) GROUP CLEANER
PLA9203	PACKAGE OF 10 SINGLE-DOSE BOTTLE (25ML) STEAM WAND CLEANER
PLA930M	PACKAGE CONTAINING 2PCS OF 70LT RESIN FILTERS

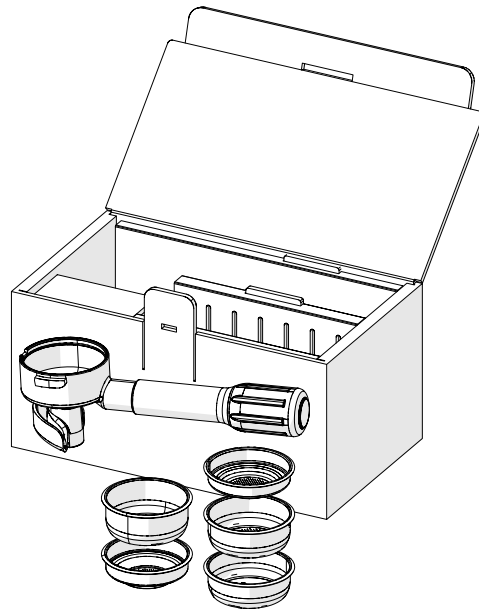
PLA570S



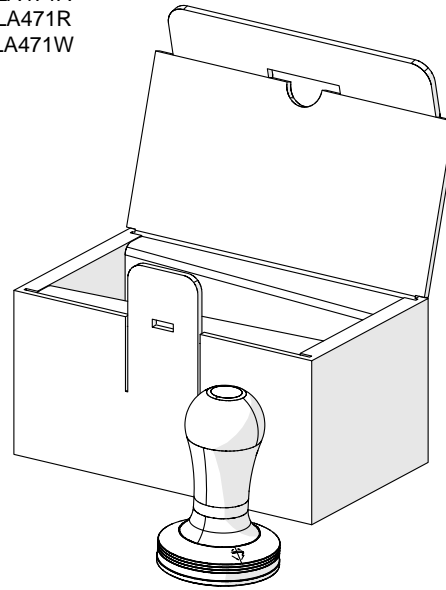
PLA571S



PLA572S



PLA471A
PLA471R
PLA471W



CODE	DESCRIPTION
PLA471A	TAMPER LELIT57 ALUMINIUM HANDLE
PLA471R	TAMPER LELIT57 RED WOODEN HANDLE
PLA471W	TAMPER LELIT57 TWO-TONE WOODEN HANDLE
PLA570S	BOTTOMLESS FILTERHOLDER LELIT57
PLA571S	1-WAY FILTERHOLDER LELIT57
PLA572S	2-WAYS FILTERHOLDER LELIT57