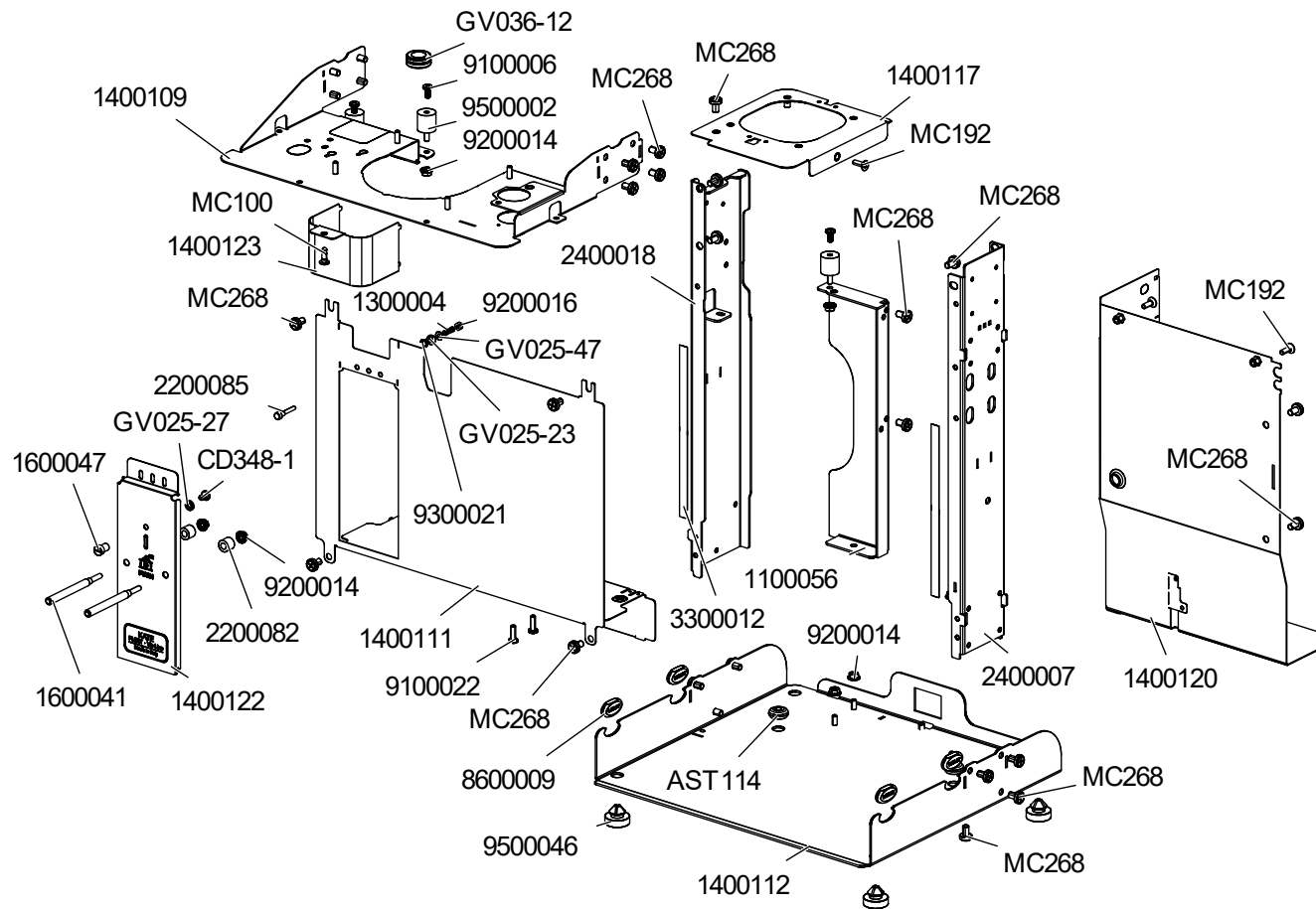


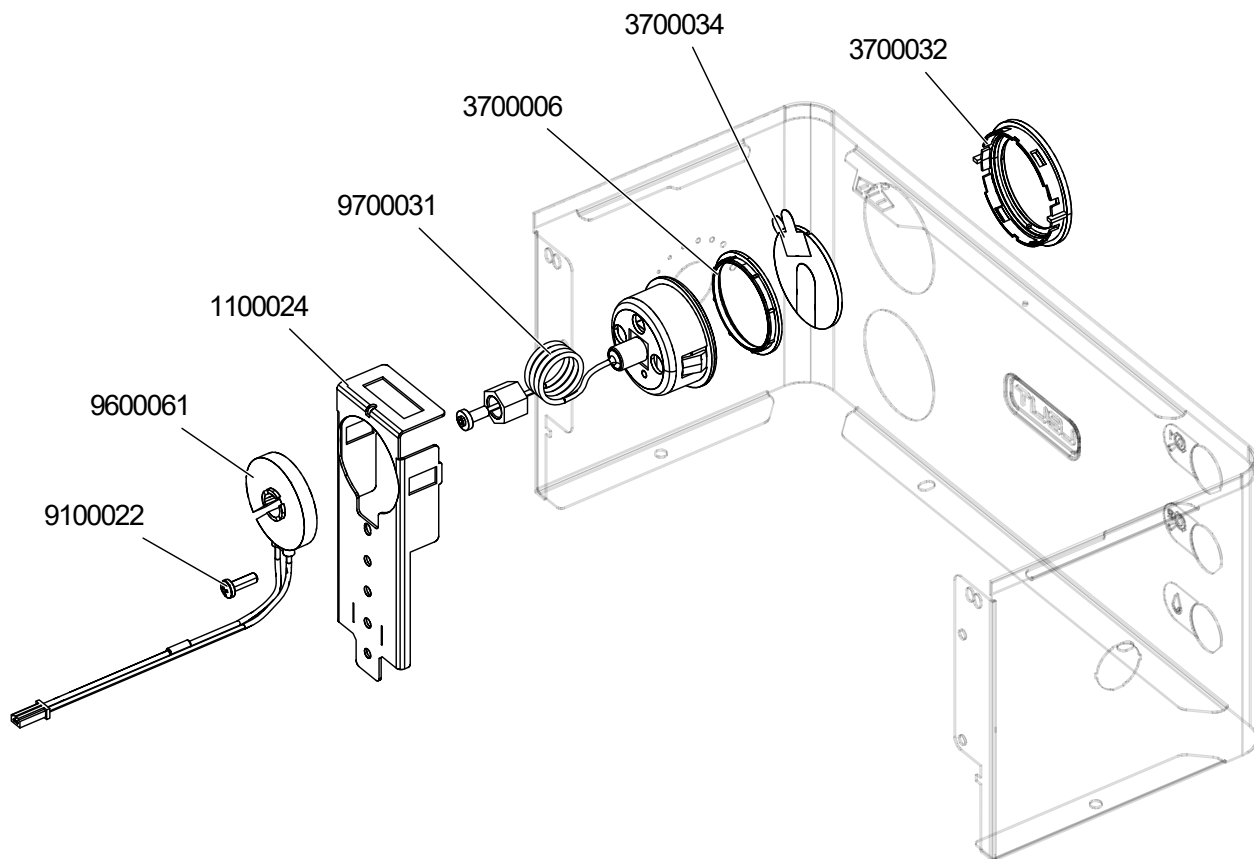
Kate PL82T-2G82

Technical Documentation

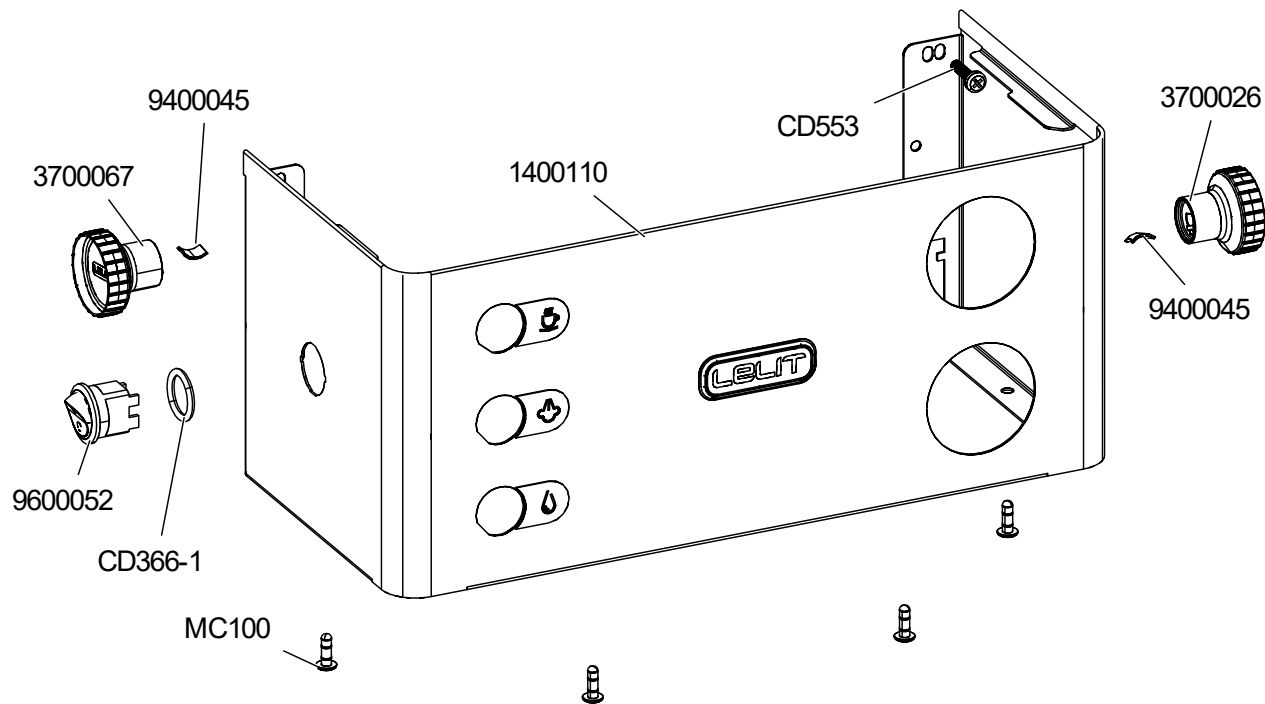
COD. 5200129TC



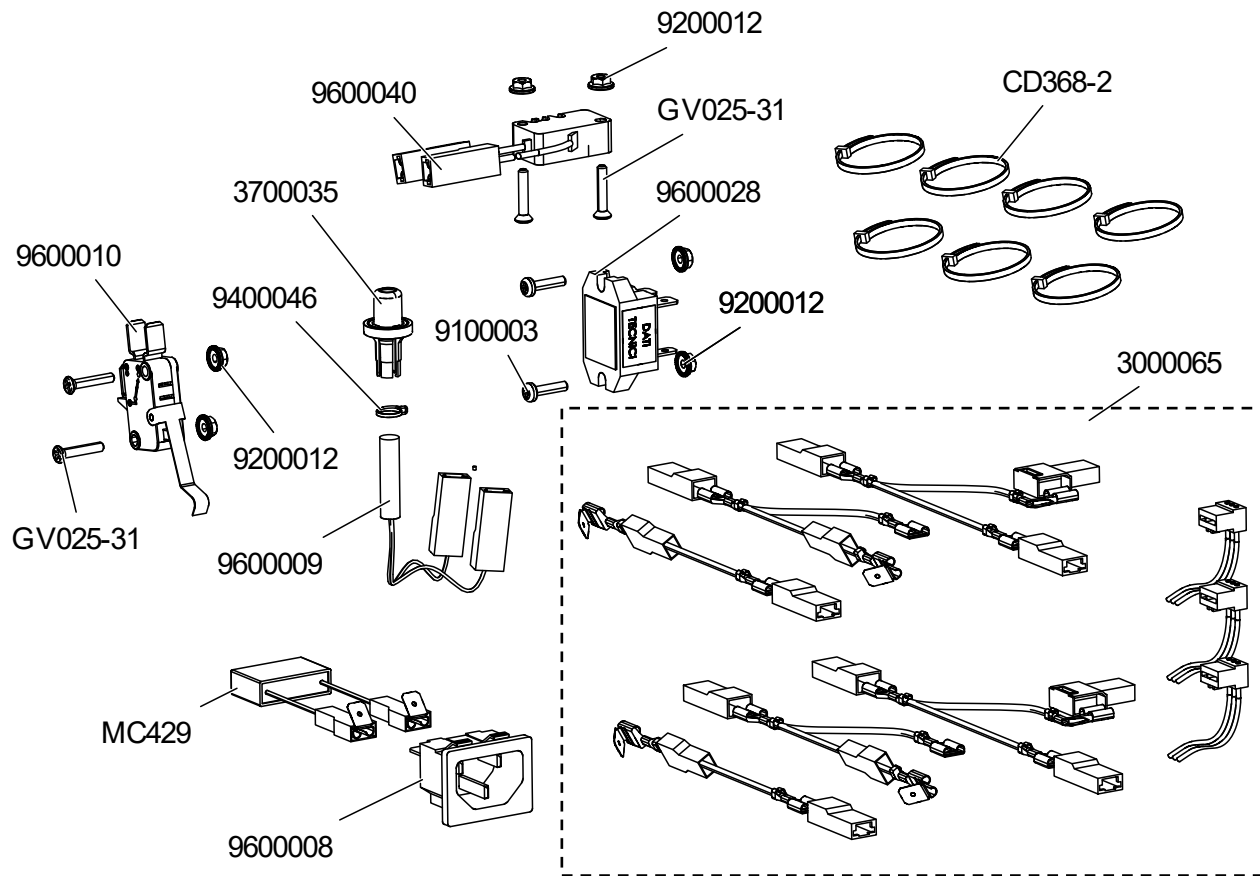
CODE	DESCRIPTION
1100056	MOTOR/BOILER SUPPORT
1300004	SPRING D.4 H 12
1400109	BOILER SUPPORT
1400111	INNER PANEL PL82T
1400112	APPLIANCE BODY BASE
1400117	HOPPER BRACKET FOR KATE PL82T
1400120	INNER PANEL FOR PL82T/PL92T
1400122	PLATE FOR GRINDING SWITCH PL82T
1400123	COVER FOR COFFEE FALL PL82T
1600041	PIN D. 6 L=50 PL71
1600047	PORTAFILTER PINS FOR GRINDERS
2200082	SPACER Diam.10 Diam.i5,3 H10
2200085	PIN M4-M3
2400007	INNER PANEL VIP LINE
2400018	INNER PANEL
3300012	3M BIADESIVE FOR INNER PANELS
8600009	RUBBER SPACER
9100006	SCREW TCBIC M4x8 UNI7687 4.8 (zb)
9100022	SCREW 4Mx6
9200014	NUT M4 DIN6923 ZB INOX
9200016	SELFBLOCKING NUT
9300021	SCHNORR ELASTIC WASHER
9500002	CILINDRIC ANTIVIBRATION
9500046	DYN FOOT
AST114	SILICONE FAIRLEAD
CD348/1	SCREW FOR BULB THERMOSTAT
GV025/23	NUT 4MA 5588 ZNB
GV025/27	WASHER D4 UNI8842
GV025/47	WASHER DIAM.3FOR025
GV036/12	FAIRLEAD FOR CHARGE TUBES F/PG036
MC100	RIVET FOR FEET FOR 040/041
MC192	SCREW M4x12 DIN965 TORX T20
MC268	SCREW M5x8



CODE	DESCRIPTION
1100024	BRACKET
3700006	MANOMETER INTERNAL FRAME VIP LINE
3700032	MANOMETER EXTERNAL FRAME VIP LINE
3700034	MANOMETER GLASS VIP LINE
9100022	SCREW 4Mx6
9600061	WHITE LED FOR MANOMETER
9700031	MANOMETER VIP LINE

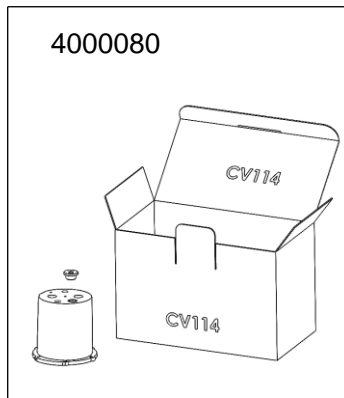
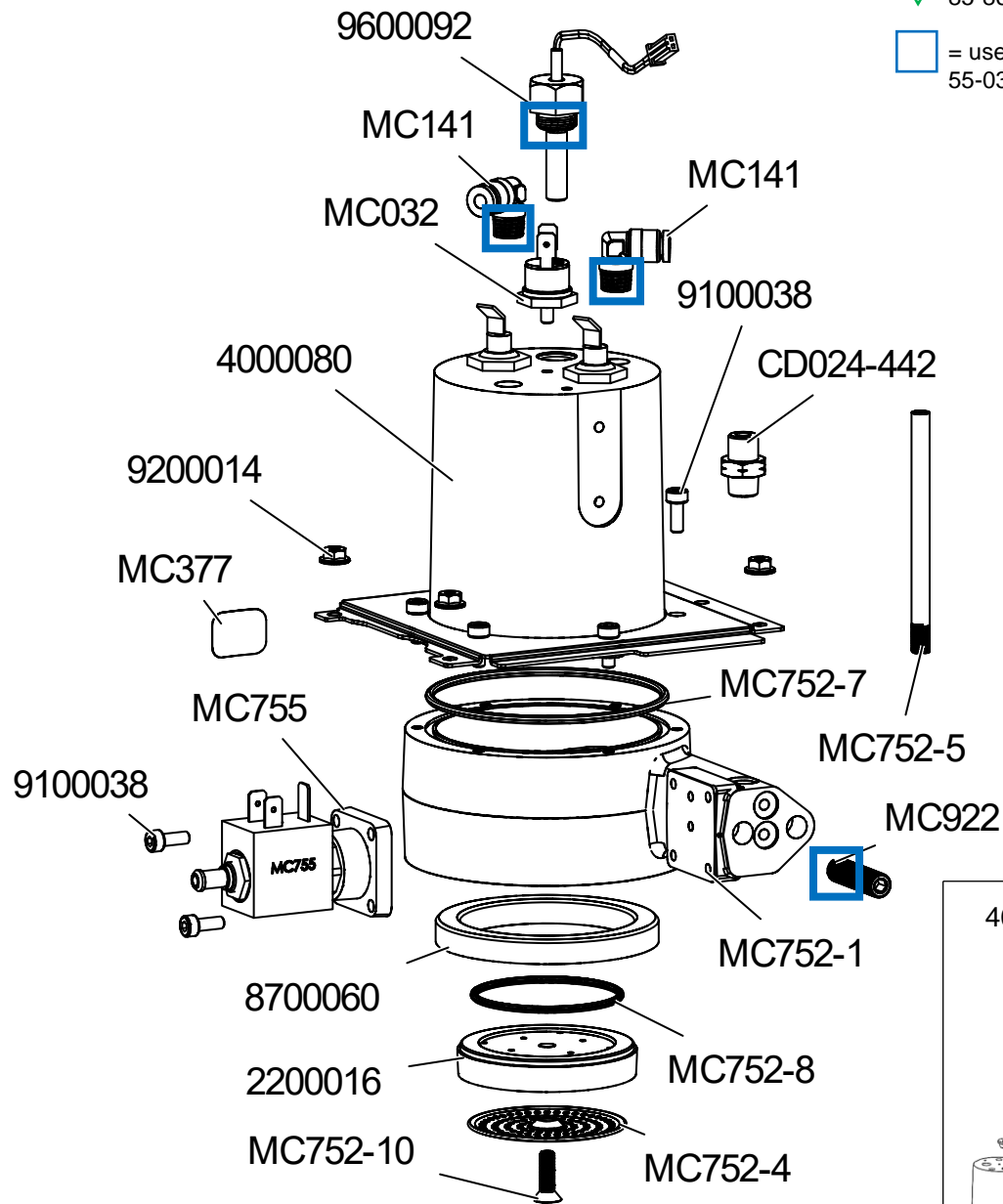


CODE	DESCRIPTION
1400110	FRONT APPLIANCE BODY KATE PL82T
3700026	STEAM KNOB VICTORIA
3700067	KNOB - PL82T
9400045	KNOB SUPPORT 6,8-11,3-0,4
9600052	ROUND MAIN SWITCH
CD366/1	GASKET FOR SAFETY CAP CD365/4
CD553	SCREW TCBIC M4x16 UNI 7687 (4.8 ZB)
MC100	RIVET FOR FEET FOR 040/041



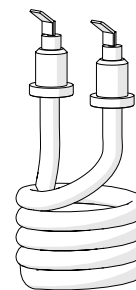
CODE	DESCRIPTION
3000065	PL82T WIRING
3700035	LEVEL SENSOR SUPPORT
9100003	SCREW TCBIC M3x12 UNI7687 4.8 (zb)
9200012	NUT M3 DIN6923 ZB INOX
9400046	SPRING CLAMP Diam. 7,3
9600008	IEC PANEL SOCKET
9600009	SENSOR FOR GAUGE 59025-1-T-02-A
9600010	MICRO SWITCH- PRESENCE WATER TANK
9600028	RELE' 9-18V
9600040	MICRO WITH WIRES L=26 FEMALE FASTON
CD368/2	WHITE CLAMP FOR SPRING
GV025/31	SCREW 3MA
MC429	ANTI-DISTURB FILTER

▽ = use sealant Loxeal 85-86 (COD. 9500050)
 □ = use sealant Loxeal 55-03 (COD. 9500051)

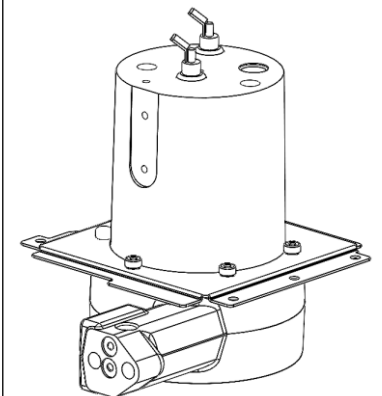


CODE	DESCRIPTION
2200016	BRASS DIFFUSER F/PL41PLUS
4000080	BOILER UPPER PART KIT
8700060	GROUP GASKET LELIT58
9100038	SCREW TCEI M4x10 UNI EN 4762 (INOX)
9200014	NUT M4 DIN6923 ZB INOX
9600092	TEMPERATURE PROBE
CD024/442	NIPPLE JOINT
MC032	MANUAL REARM BIMETALLIC THERMOSTAT 165°
MC141	L JOINT WITH QUICK RELEASE
MC377	LABEL
MC752	KIT BOILER DIAM.60MM 300ML 230V 1200W
MC752-1	LOWER BOILER
MC752-4	DISPERSION SCREEN / FILTER FOR PL41PLUS D.52
MC752-5	COPPER PIPE FOR MC752 D.6 M6
MC752-7	O-RING FOR BOILER MC752 74.3x2.62
MC752-8	SILICONE O-RING FOR DISPERSION SCREEN FOR MC752-PL41PLUS
MC752-10	SCREW F/FIXING
MC752-11	HEATING ELEMENTE 1200W - 230V
MC752-13	O-RING
MC755	SOLENOID VALVE FOR PL41PLUS
MC922	LOCKER M8 FOR PL62

MC752-11



MC752

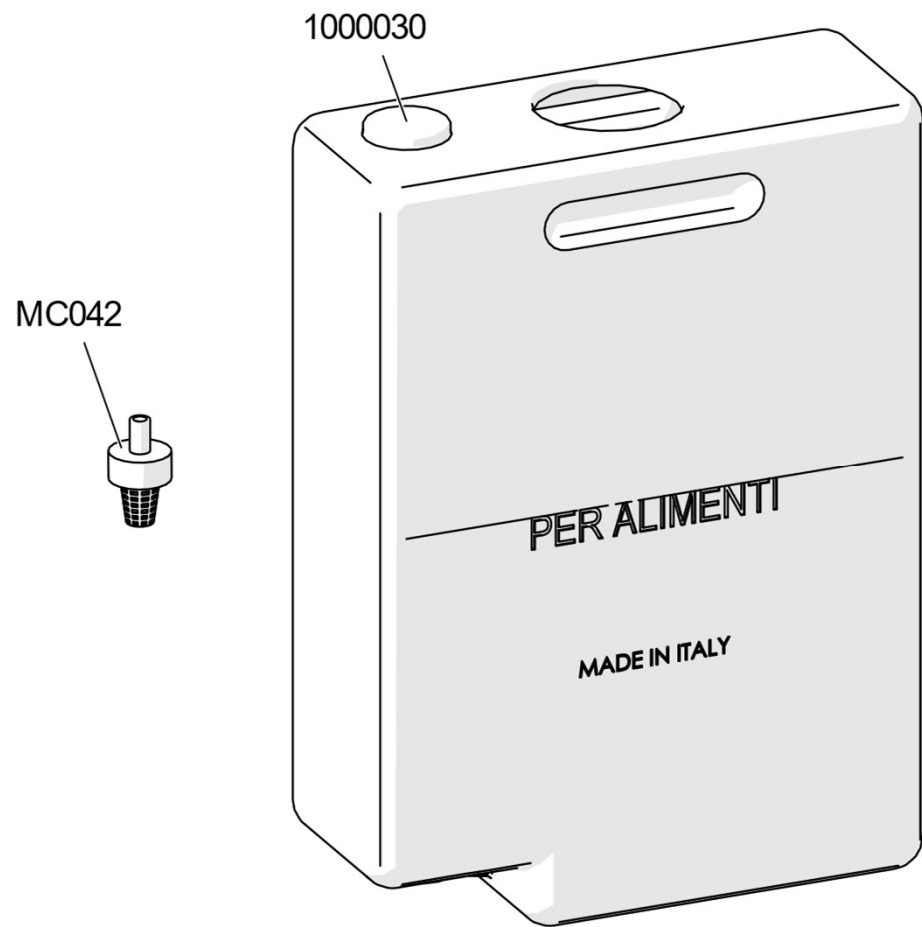


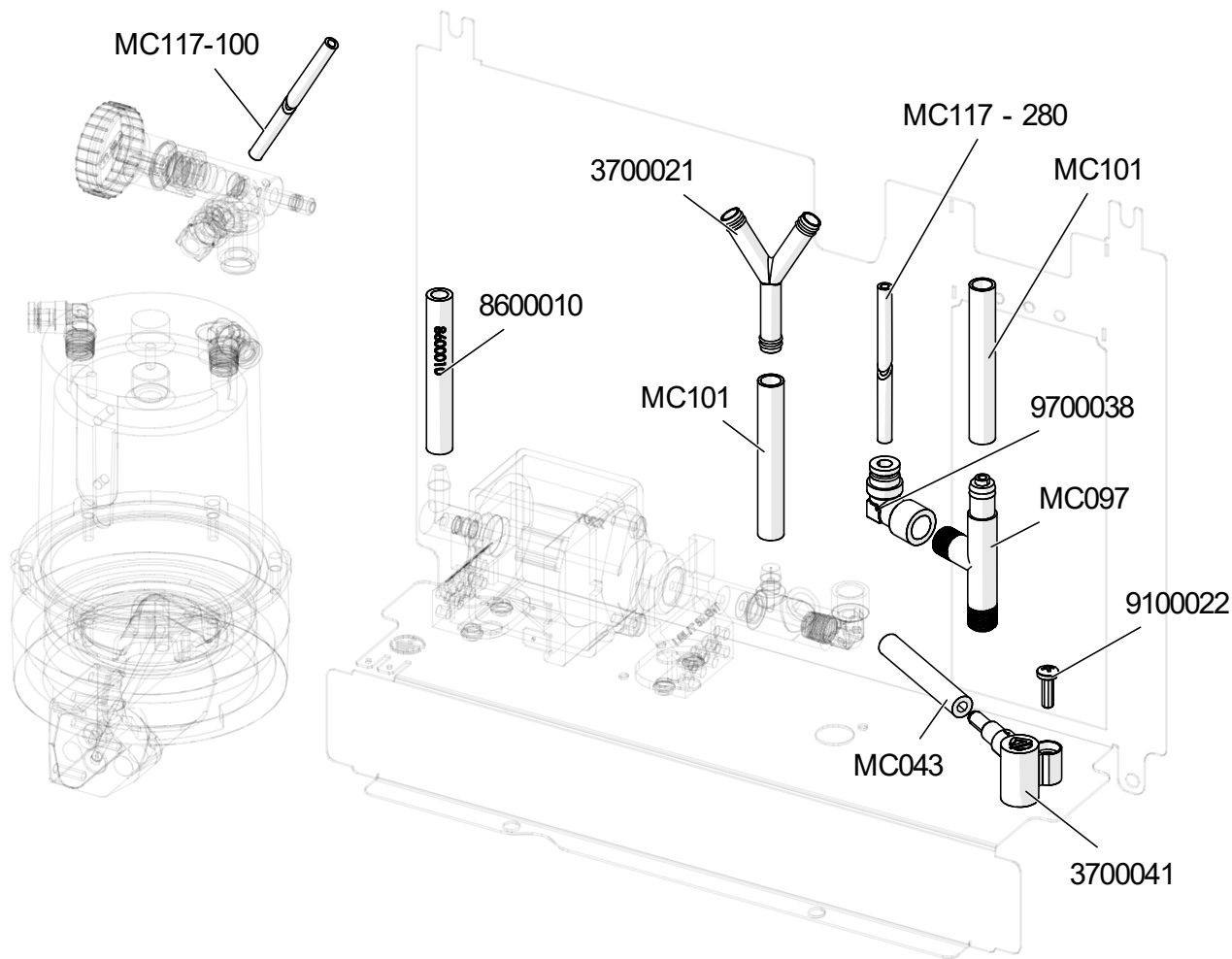
MC752-13

MC752-13

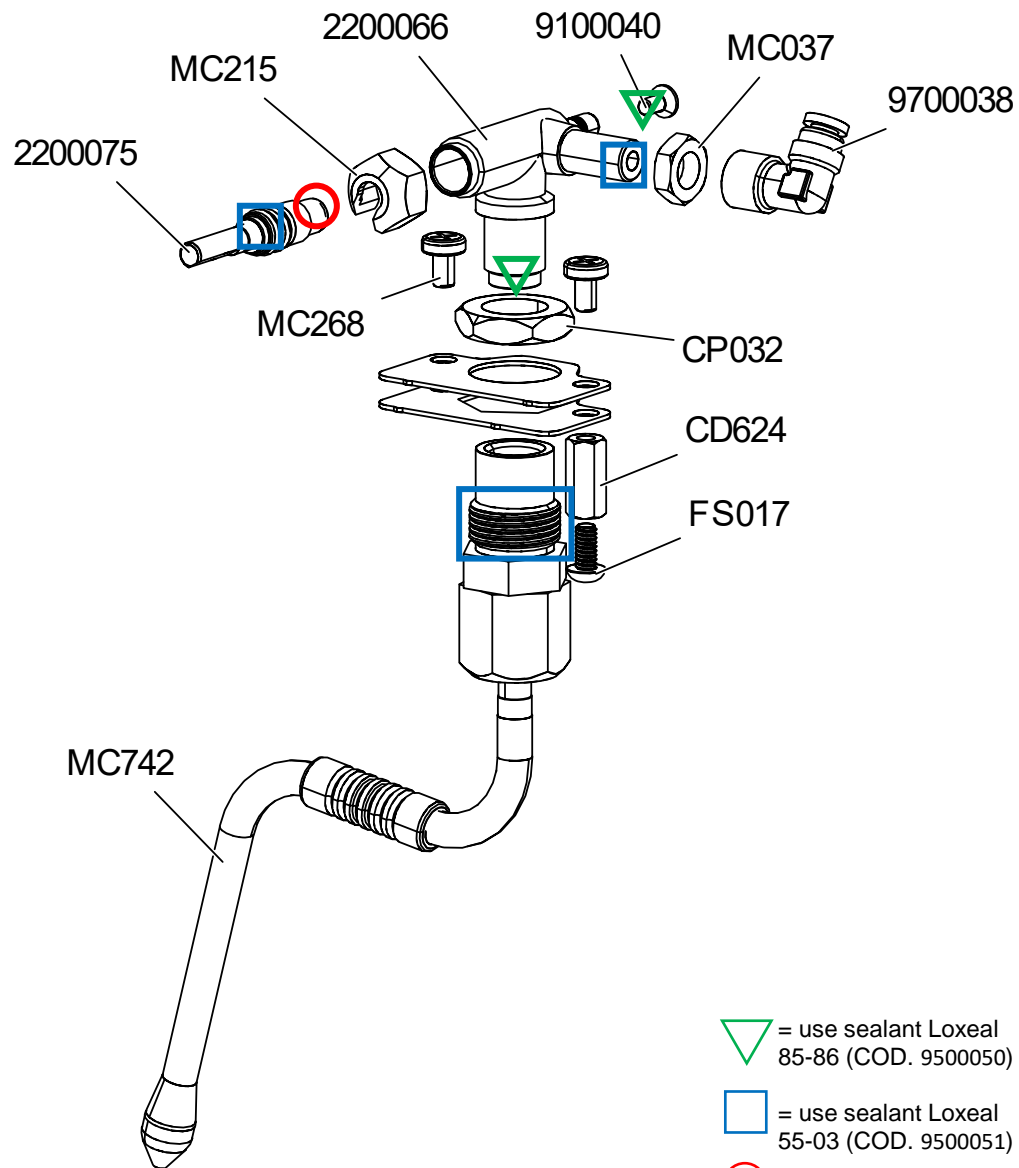


CODE	DESCRIPTION
1000030	TANK 2,5LT WITH SENSOR
MC042	WATER FILTER





CODE	DESCRIPTION
3700021	PLASTIC Y JOINT MADE TYPE 466 FOR Diam.6 TUBES
3700041	PIPETTE
8600010	SILICON HOSE 4X8 L70CM
9100022	SCREW 4Mx6 FOR FIXING THE THERMOSTAT
9700038	L JOINT F1/8 QUICK CONNECTION Diam.5
MC043	SILICON HOSE 4X8 L25CM
MC097	OVERPRESSURE VALVE
MC101	SILICON HOSE 6X9 40CM
MC117-100	PTFE TUBE Diam.e5 sp1 L=100
MC117-280	PTFE TUBE Diam.e5 sp1 L=280



▽ = use sealant Loxeal 85-86 (COD. 9500050)

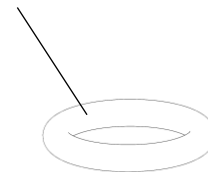
□ = use sealant Loxeal 55-03 (COD. 9500051)

○ = use grease Molycote G-1502 (COD. 9500049)

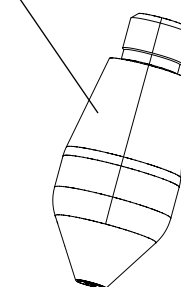


CODE	DESCRIPTION
2200066	TAP BODY - 90°
2200075	TAP STEM
2200107	NOZZLE + OR
8700009	OR GASKET
9100040	SCREW TSPIC M4x6 UNI7046 INOX A2
9700038	L JOINT F1/8 QUICK CONNECTION Diam.5
CD624	BOILER FIXING SPACER
CP032	NUT 1/2" FOR FIXING THE PG50 BOILER
FS017	SCREW TBCEI M5X10
MC037	BRASS NUT 1/8G CH=14 h=4,5
MC215	NUT M14
MC268	SCREW M5x8
MC742	MOVABLE STEAM WAND

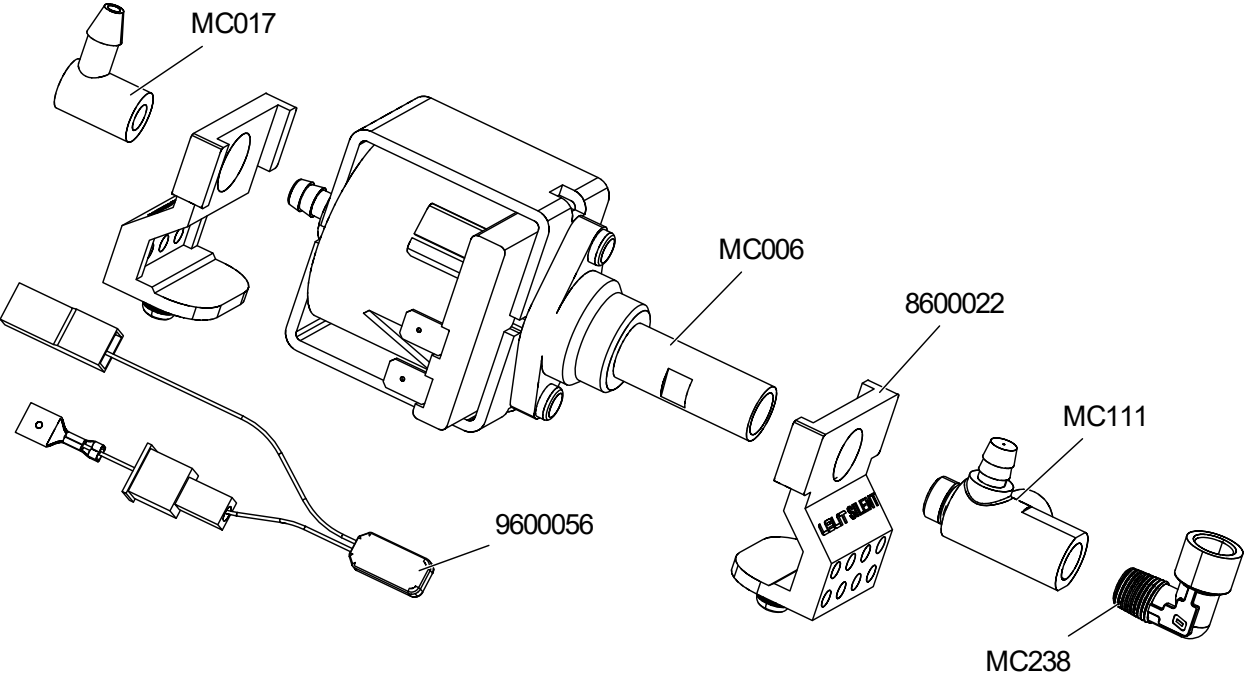
8700009

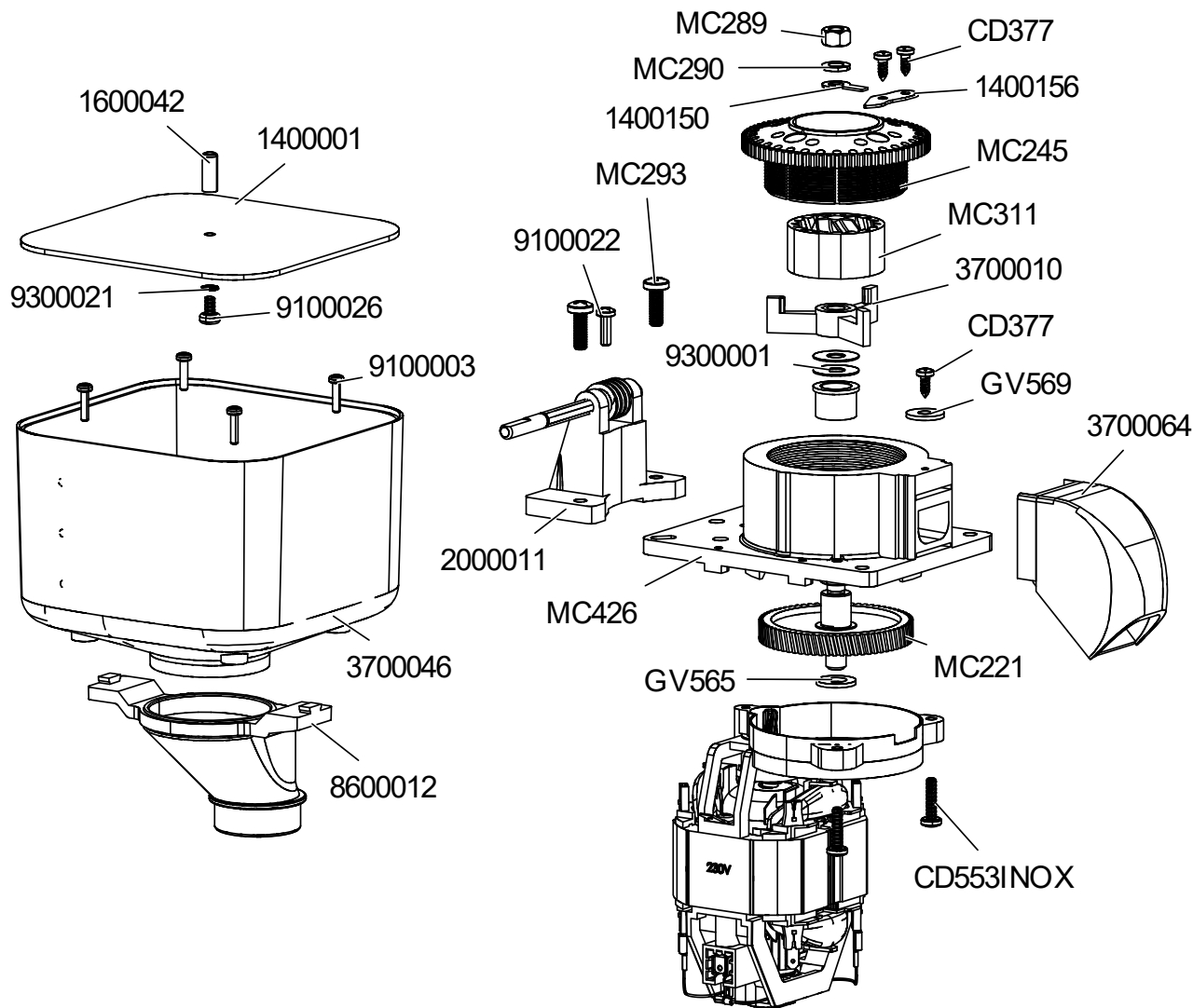


2200107

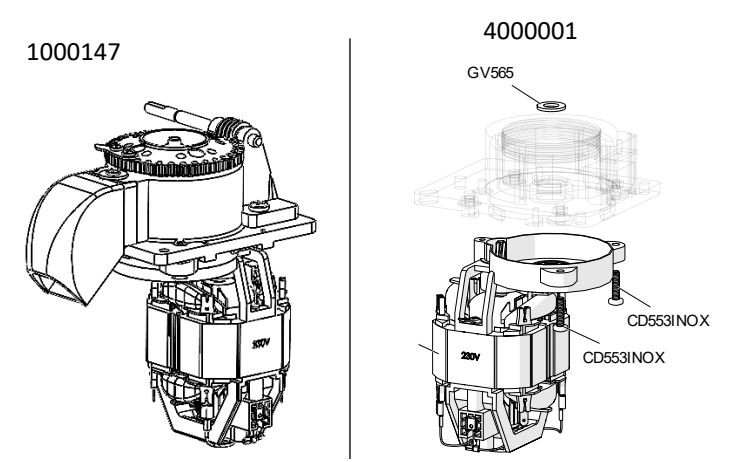


CODE	DESCRIPTION
8600022	SUPPORT FOR VIBRATION PUMP
9600056	110° THERMIC VIBRATION PUMP PROTECTOR
MC006	VIBRATION PUMP 230V 50HZ
MC017	RUBBER CONNECTION
MC111	VALVE FOR SELFSTARTING PUMP
MC238	L JOINT

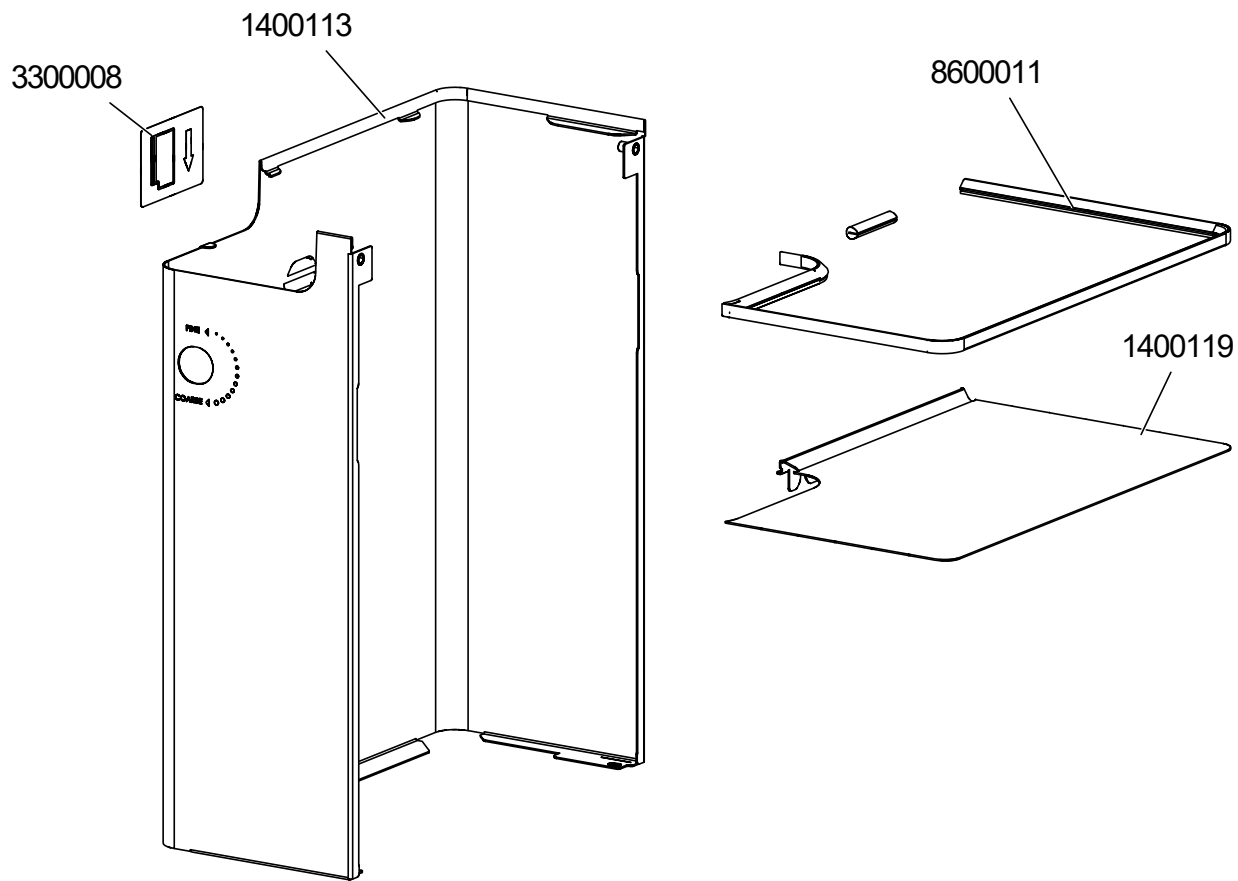


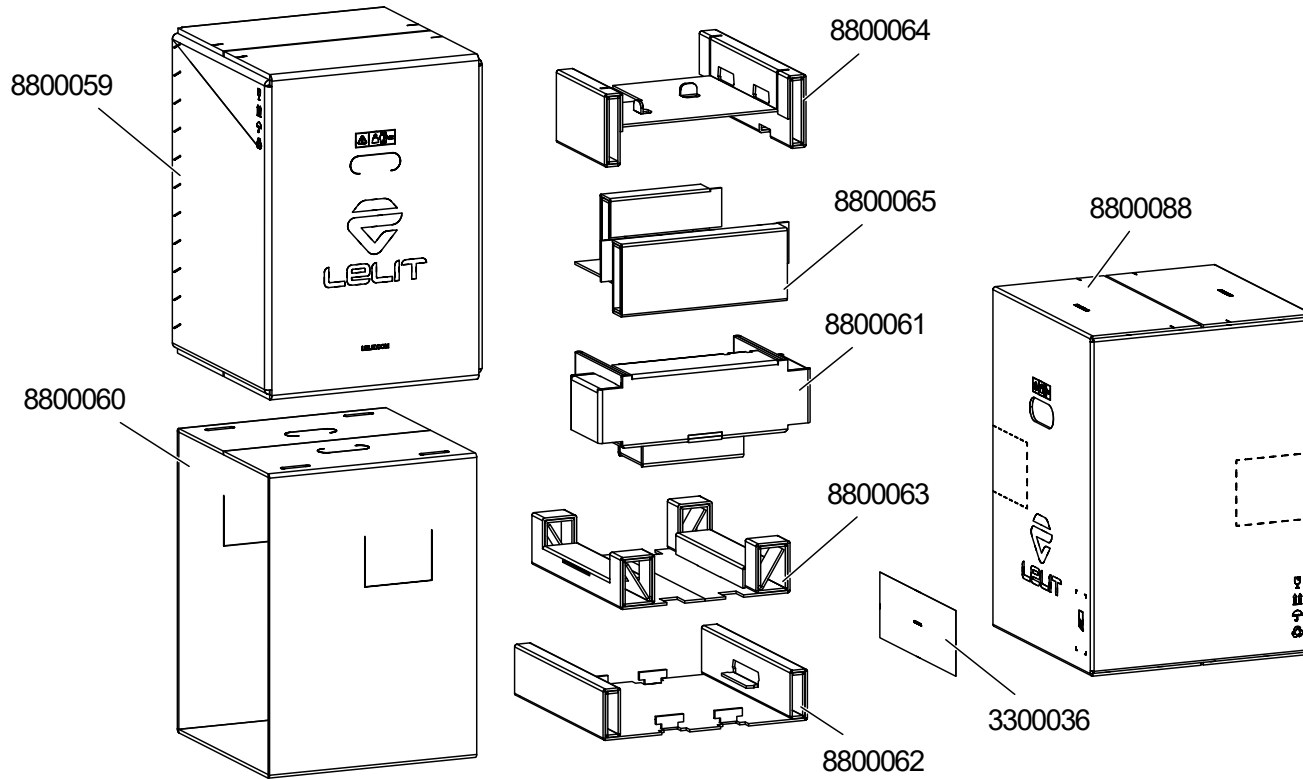


CODE	DESCRIPTION
1000147	GRINDER GROUP 230V
1400001	HOPPER LID FOR PL71
1400150	HELIX FOR COFFEE GRINDER
1400156	LOCKING METAL TAB FOR GRINDER - Diam.38
1600042	PIN D. 6 L=15 PL71
2000011	COFFEE GRINDER REGULATOR DIAM. 38 SX
3700010	STAR FOR GRINDER
3700046	BEAN HOPPER 350G PL71
3700064	COFFEE CHUTE
4000001	KIT GRINDER MOTOR 230V
8600012	EXTENTION ADAPTER FOR BOWL PL82T
9100003	SCREW TCBIC M3x12 UNI7687 4.8 (zb)
9100022	SCREW 4Mx6 FOR FIXING THE THERMOSTAT
9100026	SCREW TCBIC M4x10 UNI 7687 INOX
9300001	WASHER Diam.18-Diam.7,1-SP0,5
9300021	SCHNORR ELASTIC WASHER
CD377	SCREW 3,5x9,5
CD553INOX	SCREW M4*16 IN STAINLESS STEEL
GV565	FLAT WASHER
GV569	WASHER FOR WHEELS
MC221	WHEEL FOR GRINDER
MC245	CONICAL MILL SUPPORT Diam.38
MC246	MILL SUPPORT Diam.38
MC289	NUT 6MA
MC290	STAINLESS STEEL WASHER - M6 UNI 1751
MC293	SCREW TCB+ Fe M 5x16 UNI 7687 DIN 7985
MC311	CONIC MILLS D.38MM



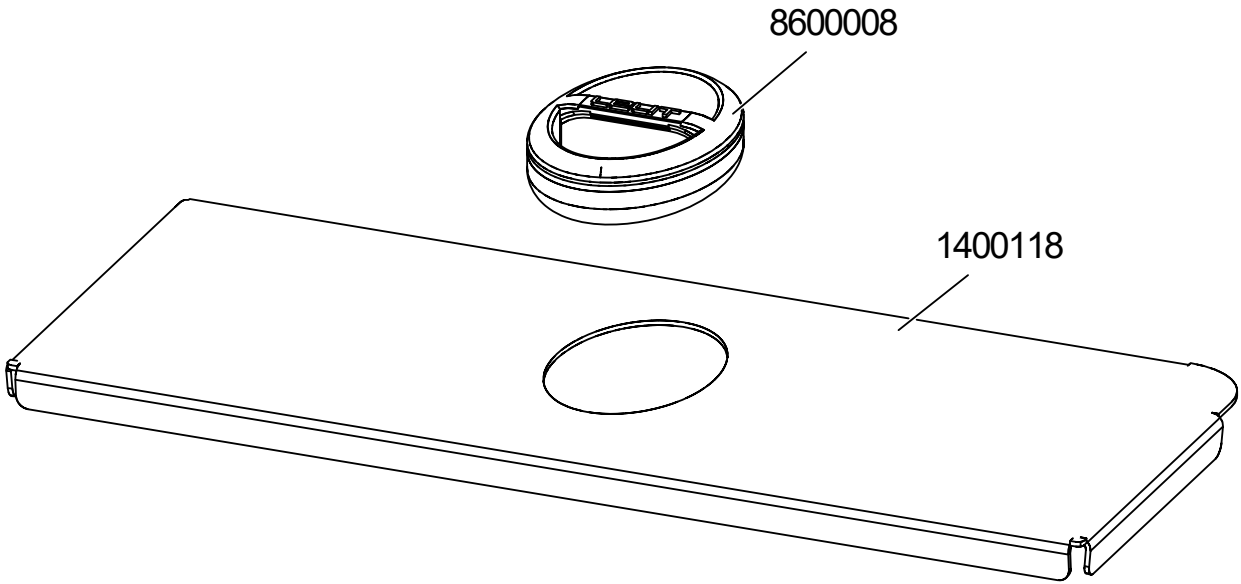
CODE	DESCRIPTION
1400113	BACK PANEL KATE PL82T
1400119	CUP TRAY KATE PL82T
3300008	LABEL
8600011	COVER RUBBER PROFILE

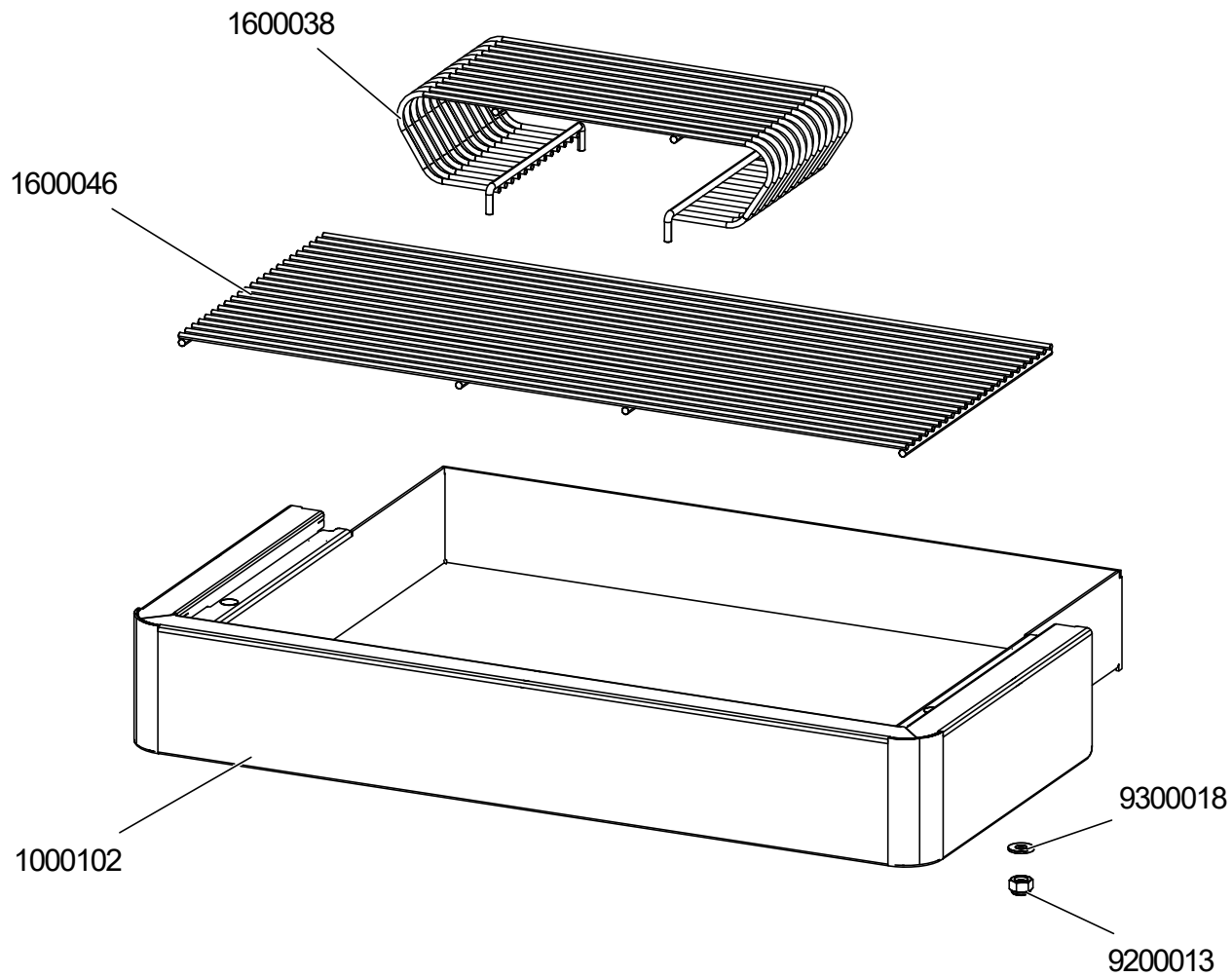




CODE	DESCRIPTION
3300036	LABEL
8800088	MASTER CARTON
8800059	GIFT BOX
8800060	INTERNAL CARDBOARD SUPPORT
8800061	INTERNAL SUPPORT WITH SPACER
8800062	BOTTOM SUPPORT - PART A
8800063	BOTTOM SUPPORT - PART B
8800064	TOP PROTECTION - PART A
8800065	TOP PROTECTION - PART B

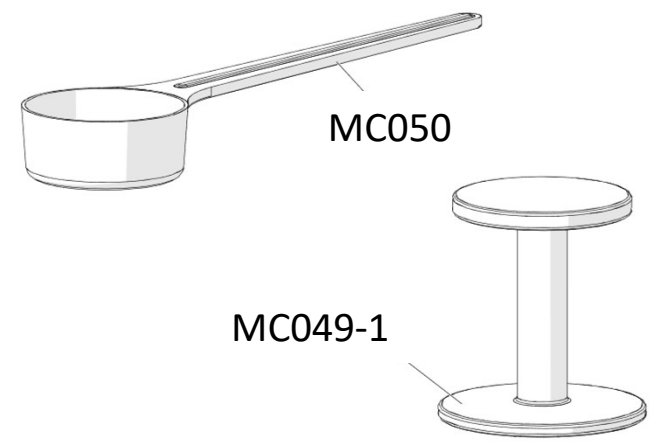
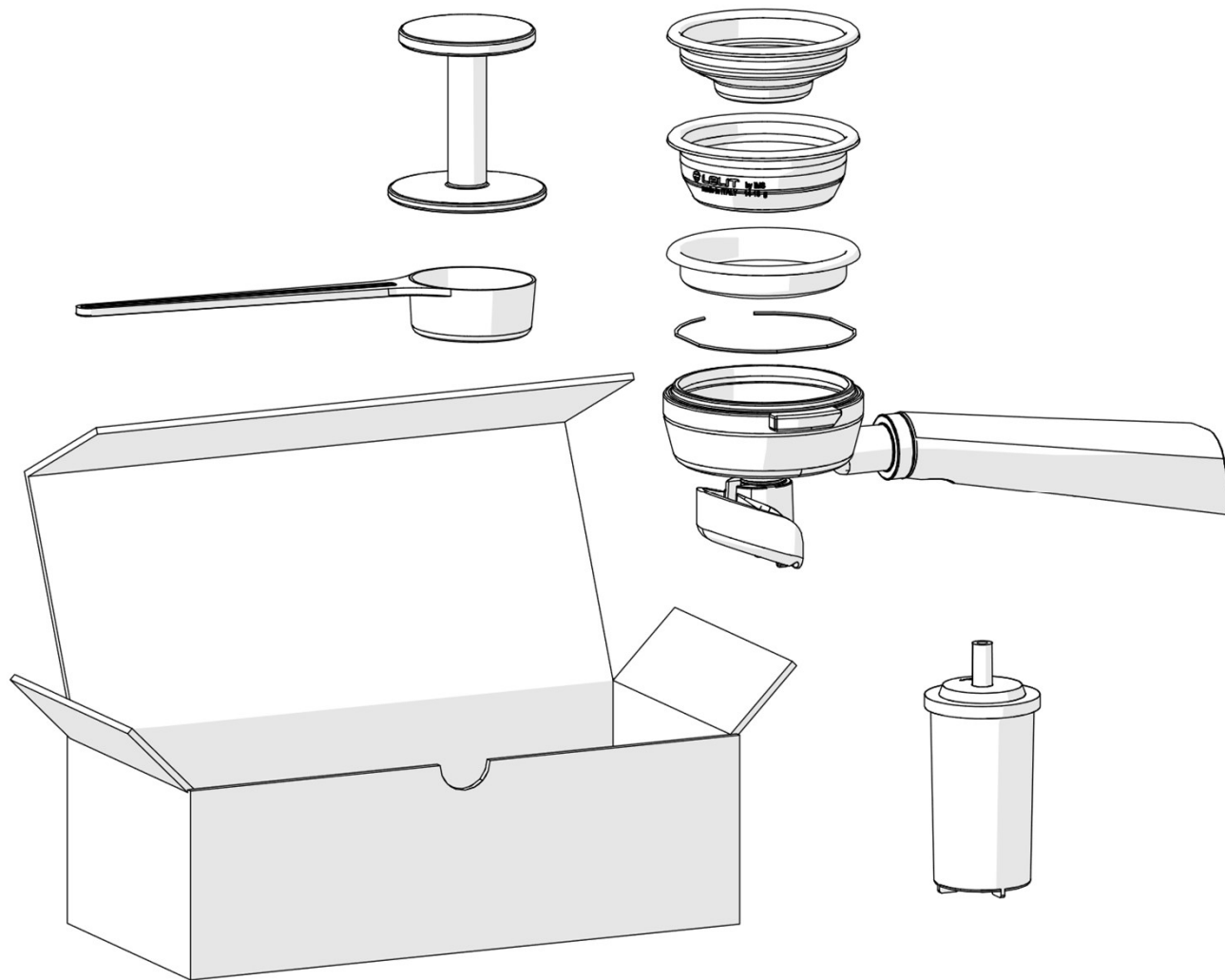
CODE	DESCRIPTION
1400118	TANK COVER
8600008	BROWN RUBBER INSERT



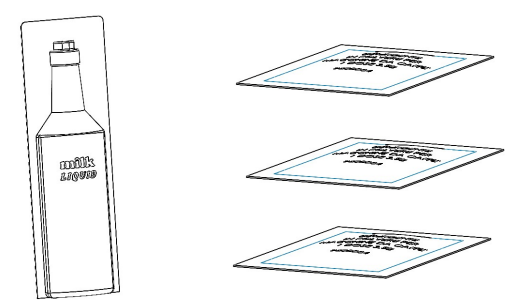


CODE	DESCRIPTION
1000102	COMPLETE DRIP TRAY
1600046	WIRE GRATE
1600038	ESPRESSO CUP RACK VIP LINE
9200013	SELF-BLOCKING NUT M4 UNI 7473 INOX A2
9300018	FLAT WASHER M4 UNI EN ISO 7089 INOX

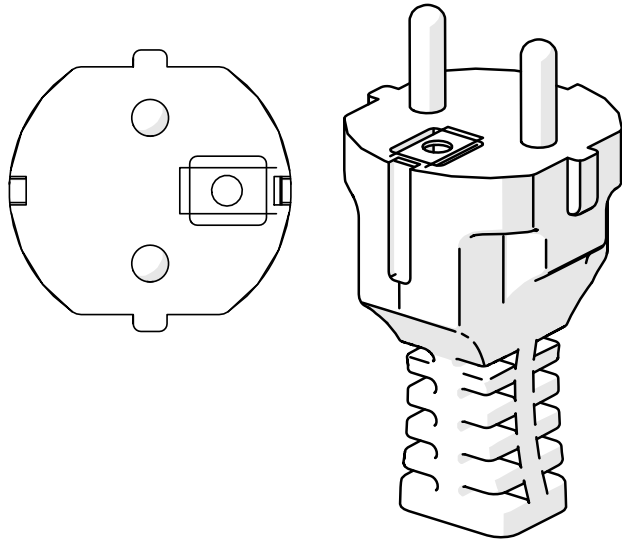
CODE	DESCRIPTION
MC049-1	PLASTIC COFFEE TAMPER
MC050	PLASTIC SPOON FOR COFFEE POWDER
EQUIPMENT BOX	



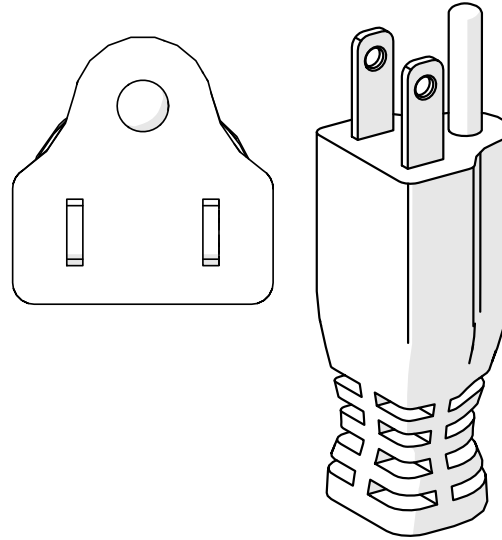
ONLY FOR PL92T



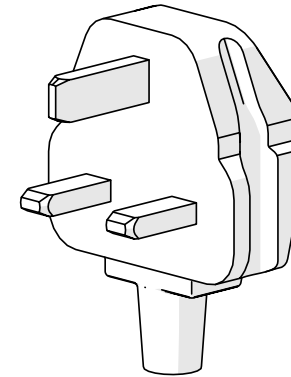
MC269 (EUROPE)



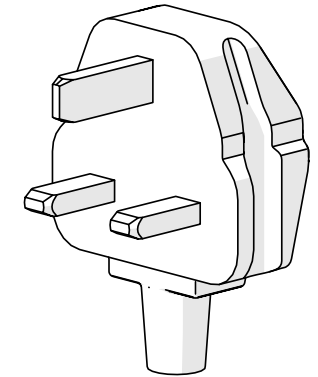
MC269-110 (UNITED STATES)



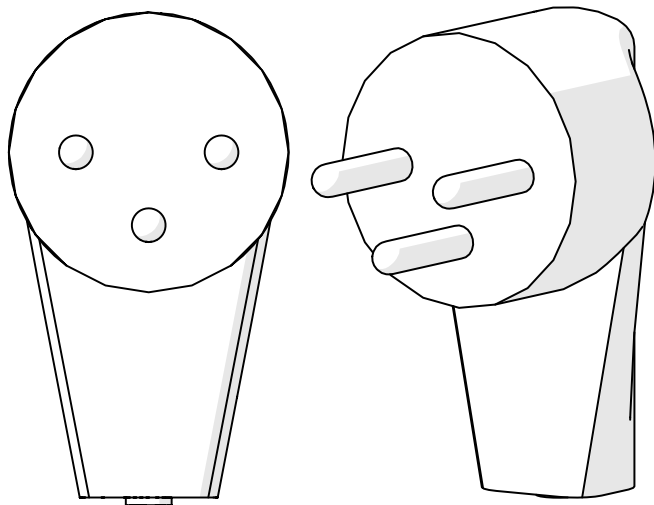
**MC269UK
(UNITED KINGDOM)**



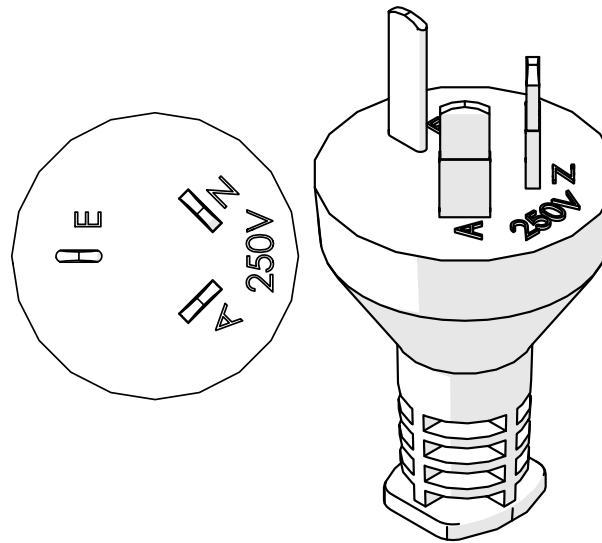
**MC269UKSA
(UNITED KINGDOM
SAUDI ARABIA)**



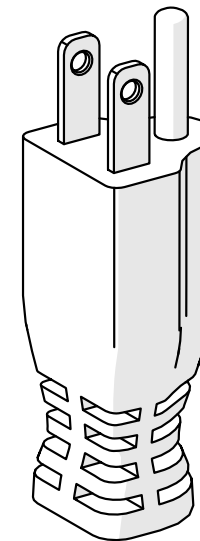
MC269IL (ISRAEL)



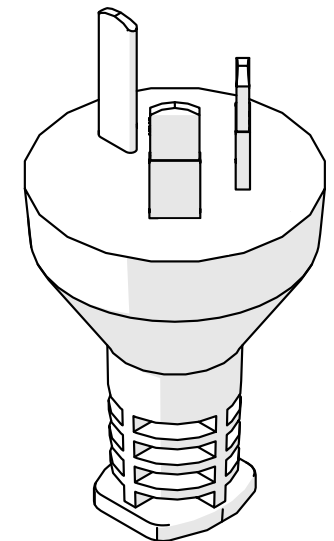
MC269AUS (AUSTRALIA)



**MC269-100
(JAPAN)**



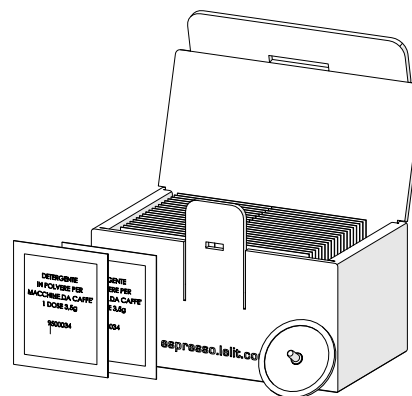
**MC269CHN
(CHINA)**



PLA180S



PLA9201

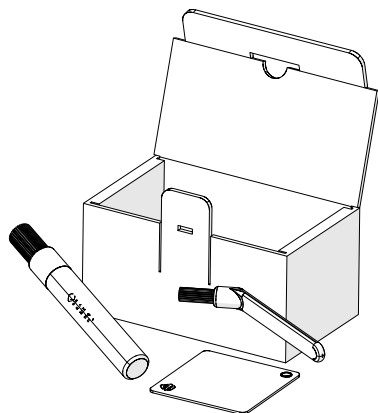


PLA9203

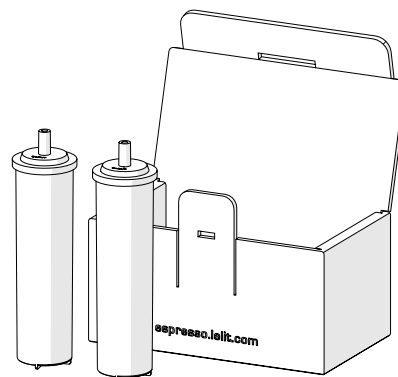


CODE	DESCRIPTION
PLA180S	LELIT58 FILTERS SET
PLA9101	CLEANING KIT
PLA9201	PACKAGE OF 40 SINGLE-DOSE (3.5GR) GROUP CLEANER
PLA9202	BURRS CLEANING KIT
PLA9203	PACKAGE OF 10 SINGLE-DOSE BOTTLE (25ML) STEAM WAND CLEANER
PLA930M	PACKAGE CONTAINING 2PCS OF 70LT RESIN FILTERS

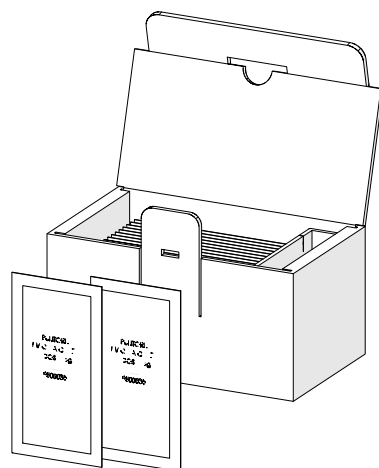
PLA9101



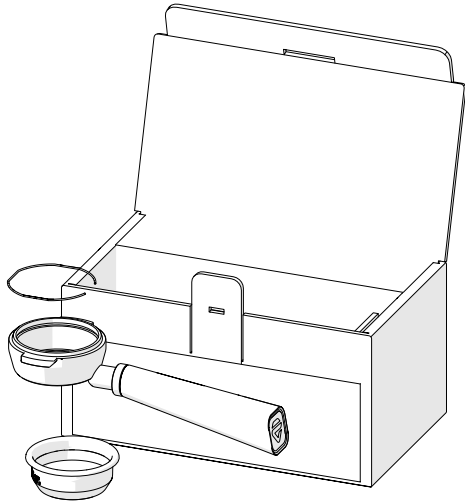
PLA930M



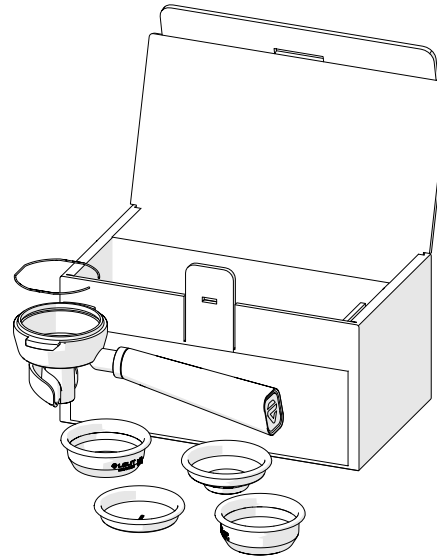
PLA9202



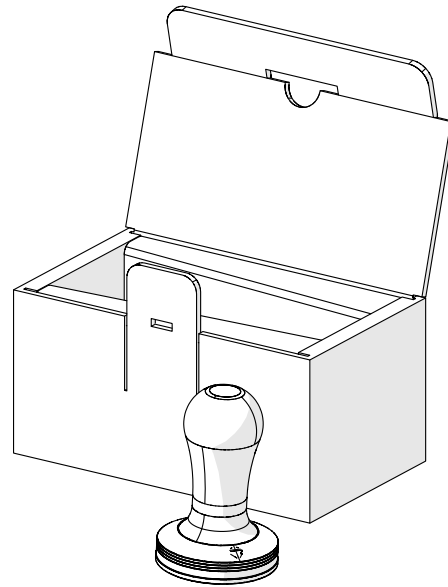
PLA580V



PLA582V



PLA481A
 PLA481B
 PLA481M
 PLA481N
 PLA481R
 PLA481W



CODE	DESCRIPTION
PLA481A	TAMPER LELIT58 ALUMINIUM HANDLE
PLA481B	TAMPER LELIT58 BLACK WOODEN HANDLE
PLA481M	TAMPER LELIT58 MAPLE WOODEN HANDLE
PLA481N	TAMPER LELIT58 WALNUT WOODEN HANDLE
PLA481R	TAMPER LELIT58 RED WOODEN HANDLE
PLA481W	TAMPER LELIT58 BICOLOR WOODEN HANDLE
PLA580V	LELIT58 BOTTOMLESS FILTERHOLDER, VIP LINE
PLA582V	LELIT58 2WAYS - COFFEE SLIDE - FILTERHOLDER, VIP LINE