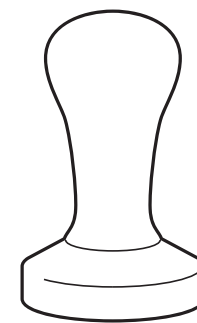


Accessories (not included)



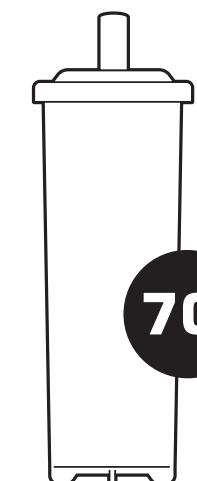
Tampers

PLA481R

LELIT58 stainless steel tamper with red wood handle.

PLA481A

LELIT58 stainless steel tamper with aluminium handle.



Resin filter

PLA930M

Package containing 2 LELIT resin filter for water tank (70 l endurance)

For cleaning

PLA180S

LELIT58 complete set of filters, including a blind filter.

PLA9201

Package containing 40 single-dose bags of detergent for espresso brew groups.

PLA9202

Package containing 20 single-dose bags of detergent for burrs and grinding chambers.

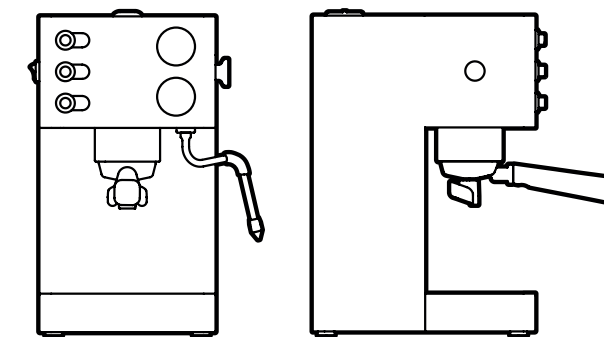
PLA9101

Cleaning kit for coffee machines and filterholder (microfiber cloth, paintbrush and brush).

Victoria PL91T

Technical sheet

Aesthetics and technology in a small space.

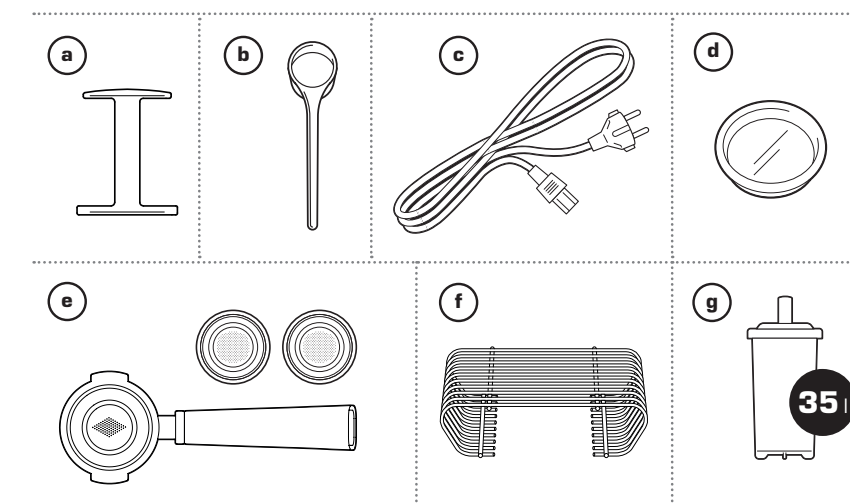
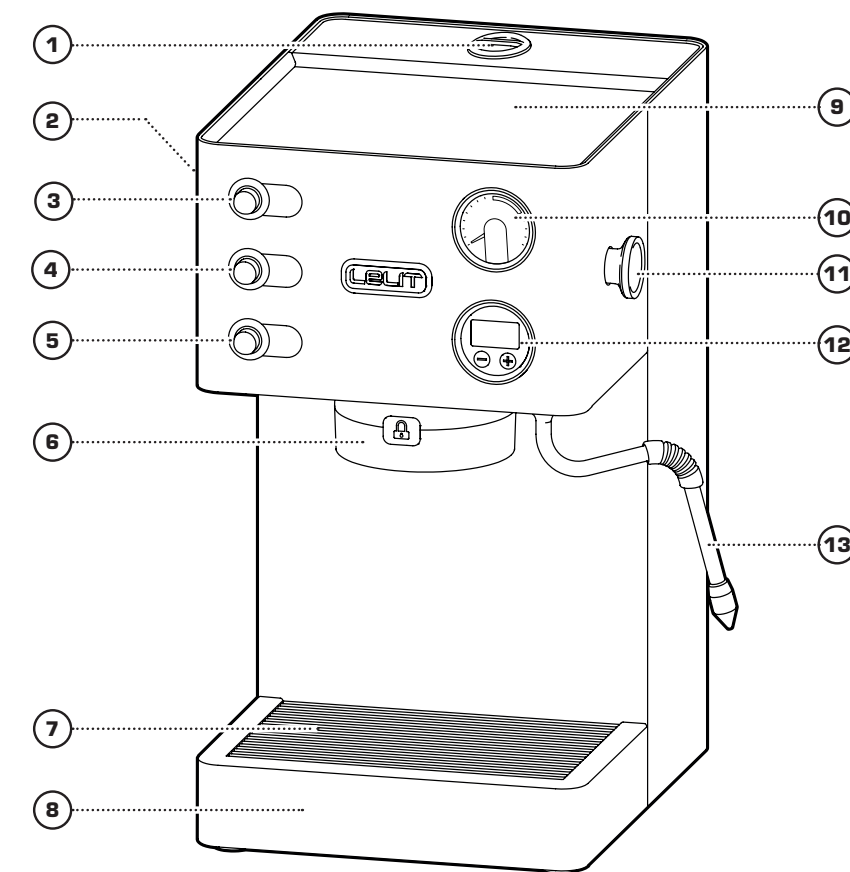


Dimensions: 22.5x27x38 cm
Weight: 9,2 kg
Pump pressure: 15 bar
Water Tank Capacity: 2.5 l
Boiler capacity: 300 ml

Let our video show you how to use your espresso machine like a real barista.



To see the tutorial, please scan the QR-Code. To read the QR code, download the proper app from your store.



Open the leaflet for
THE QUICK START GUIDE
Victoria PL91T



7800084 · REV00

©2022 LELIT srl
All Rights Reserved

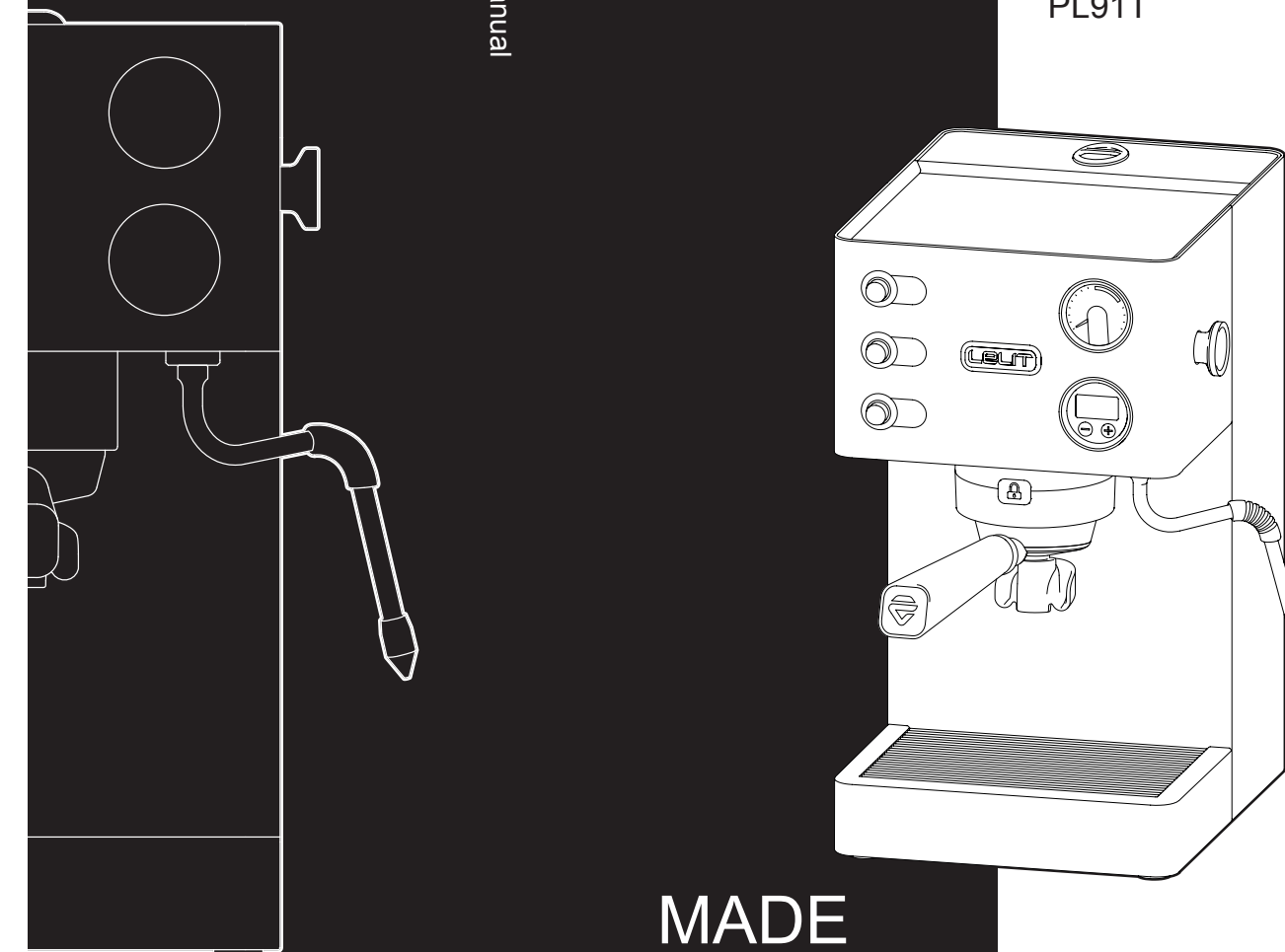
The information and pictures provided may be changed without notice to improve the machine performance

User manual

User manual

Victoria

PL91T



MADE FOR PERFORMANCE

Victoria

Quick start guide

Victoria PL91T

IT Italiano

A. Apri l'imballo B. Ricarica dell'acqua C. Accendi la macchina espresso D. Verifica il funzionamento E. Prepara la macchina espresso per l'erogazione F. Eroga il caffè G. Prepara la macchina espresso H. Eroga il vapore I. Eroga l'acqua calda J. Modifica i parametri di fabbrica

FR Français

A. Ouvrez l'emballage B. Recharge de l'eau C. Mettez la machine espresso sous tension D. Vérifiez le fonctionnement E. Préparez la machine espresso pour l'extraction F. Extrayez le café G. Préparez la machine espresso H. Distribuez de la vapeur I. Distribuez de l'eau chaude J. Modification des paramètres d'usine

DE Deutsch

A. Öffnen Sie die Verpackung B. Wassertank befüllen C. Schalten Sie die Espressomaschine ein D. Betriebsprüfung E. Vorbereitung der Espressomaschine für die Kaffeeabgabe F. Kaffee abgeben G. Vorbereitung der Espressomaschine H. Dampf abgeben I. Heißwasser abgeben J. Veränderung von Werksparmetern

ES Español

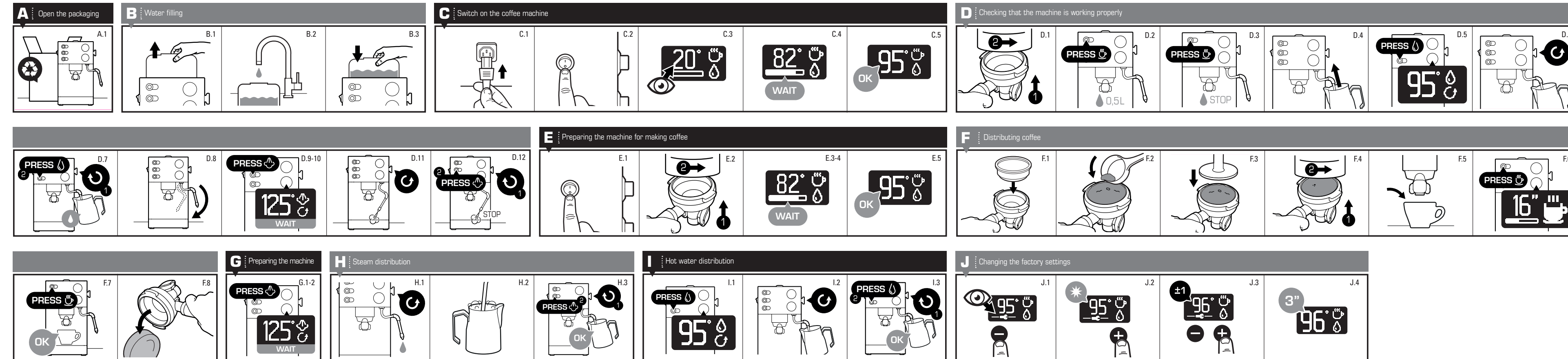
A. Abre el embalaje B. Recarga del agua C. Enciende la máquina espresso D. Comprueba el funcionamiento E. Prepara la máquina espresso para la extracción de café F. Hacer café G. Prepara la máquina espresso H. Extrae el vapor I. Extrae el agua caliente J. Cambio de los parámetros predeterminados

RO Română

A. Deschideți ambalajul B. Reîncarcare cu apă C. Porniți mașina de cafea espresso D. Verificați funcționarea mașinii E. Pregătiți mașina de cafea espresso pentru extracție F. Eroarea cafelei G. Pregătirea mașinii H. Eroarea aburului I. Eroarea apei calde J. Modificarea parametrilor din fabrică

RU Русский

A. Откройте упаковку B. Заливка воды C. Включите кофеварку D. Проверка работы E. Подготовка кофеварки эспрессо для приготовления кофе F. Выпуск кофе G. Подготовка кофеварки эспрессо H. Выпуск пара I. Выпуск горячей воды J. Изменение заводских параметров



Let our video show you how to use your espresso machine like a real barista.



To see the tutorial, please scan the QR-Code. To read the QR code, download the proper app from your store.