

ECM

MANUFACTURE

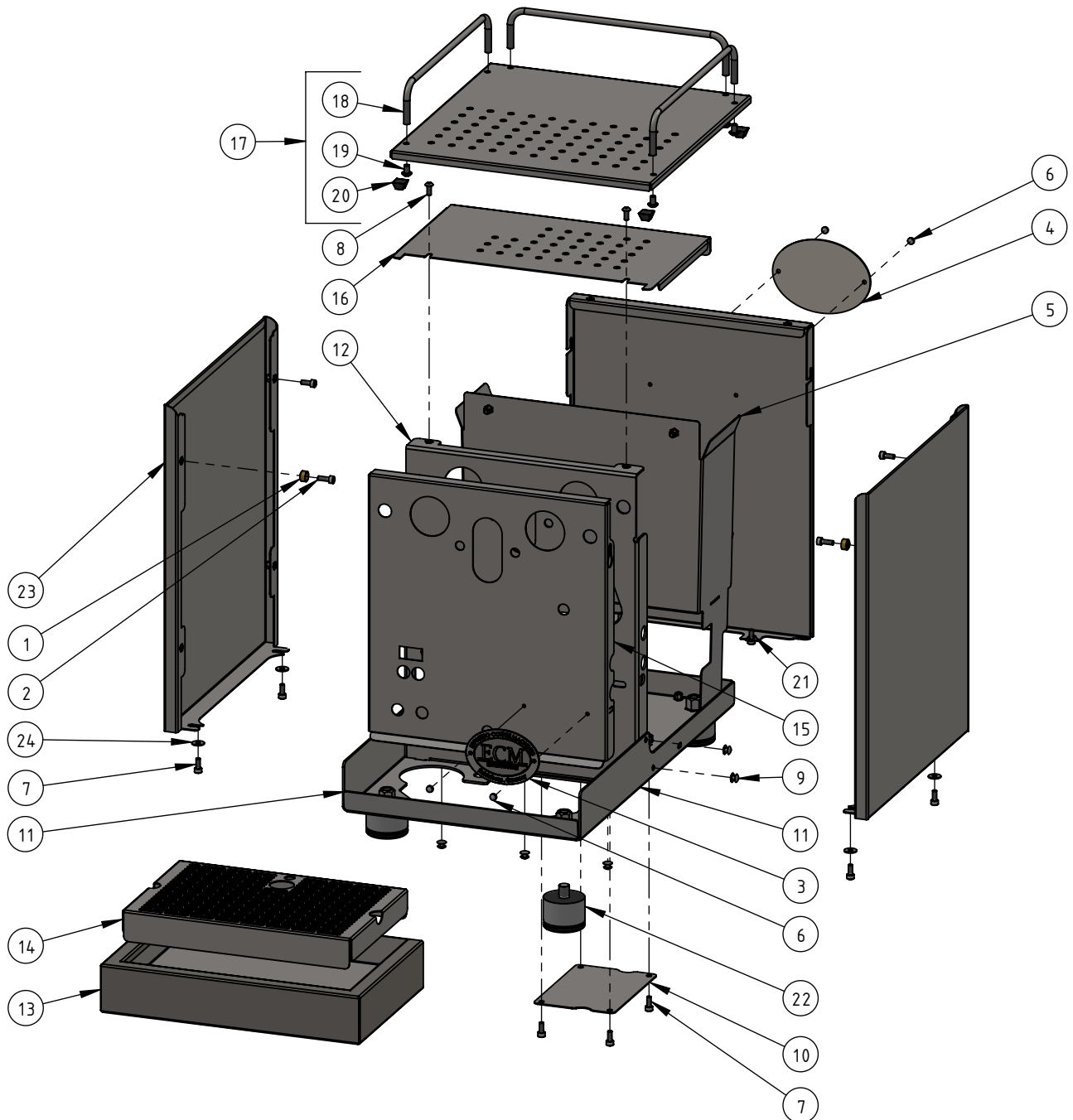


Mechanika MAX

Art.-Nr. / Item no. 82295

Ersatzteile / Spare parts

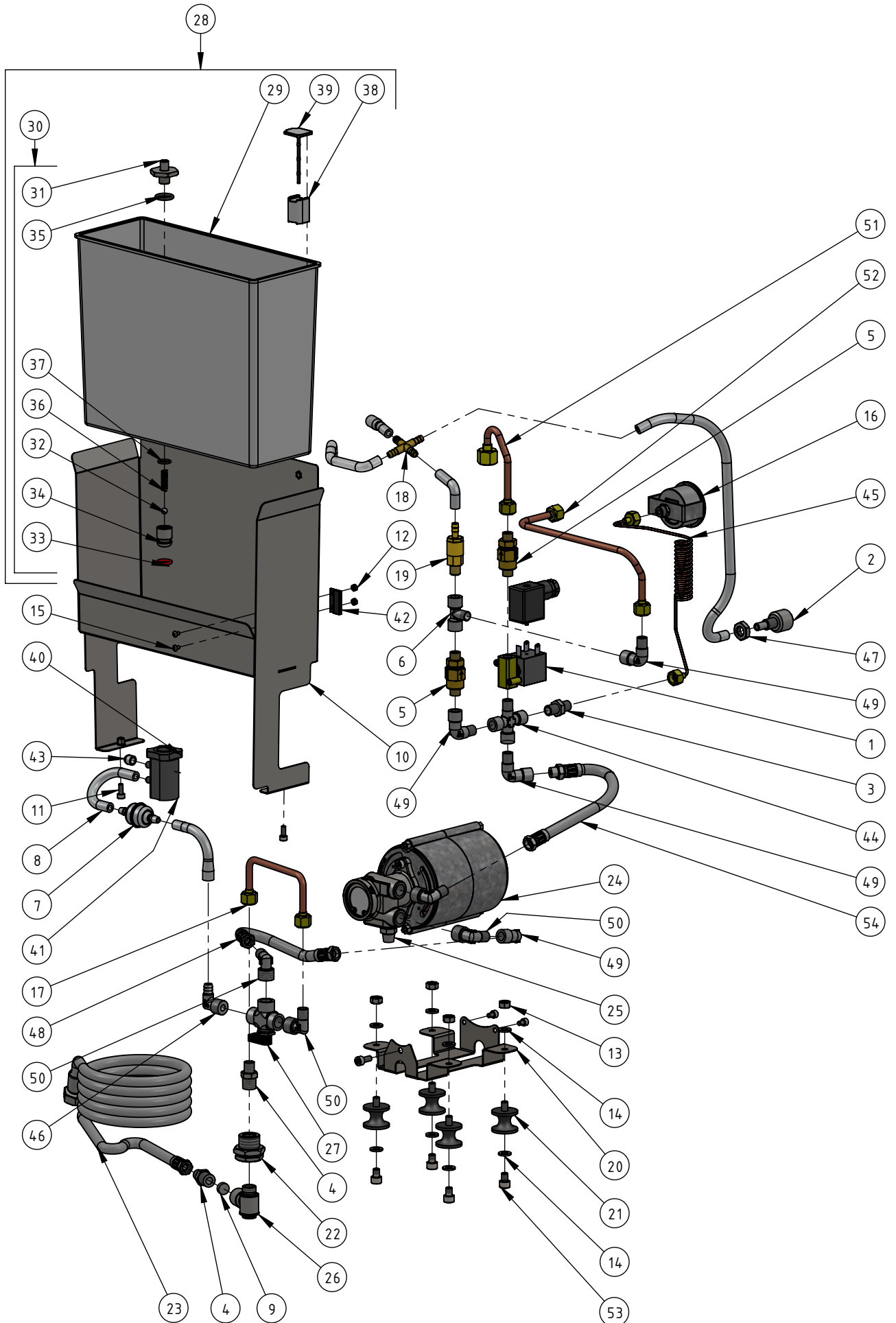
MECHANIKA MAX EXPLOSION GEHÄUSE EXPLODED DIAGRAM CHASSIS



**MECHANIKA MAX
STÜCKLISTE GEHÄUSE
PARTS LIST CHASSIS**

POS.	ART. NO	BENENNUNG	DESCRIPTION
1	B5220818	Buchse Ø10xØ4,7x7	Connector bushing Ø10xØ4,7x7
2	B7819901	Zylinderkopfschraube M4 x 12	Hex socket head cap screw M4 x 12 A2
3	E81100	Emblem ECM Frontblech	Emblem ECM Front panel
4	ER8285	Emblem Rückwand ECM	Emblem back panel ECM
5	M3006.6	Wassertankführung Mechanika MAX	Water tank guide Mechanika MAX
6	P1999	Blindniet Flachrundkopf Ø3,2x8	Blind rivet truss head Ø3,2x8
7	P2006	Zylinderkopfschraube M4 x 10 A2	Hex socket head cap screw M4 x 10 A2
8	P2022	Linsenkopfschraube M4 x 10 A2	Hex socket button head screw M4 x 10 A2
9	P2076	Blindniet Ø4,8mm	Blind rivet inox Ø4.8
10	P2127	Abdeckung Chassis	Maintenance cover
11	P2715.2	Grundchassis Boden Mechanika MAX	Base Frame bottom Mechanika MAX
12	P2715.1	Grundchassis Front Mechanika MAX	Base frame front Mechanika MAX
13	P2716	Auffangschale Mechanika MAX	Drip Tray Mechanika MAX
14	P2717	Gitter Wasserauffangschale Mechanika MAX	Grid watertray Mechanika MAX
15	P2718	Frontblech Mechanika MAX	Front Panel Mechanika MAX
16	P2719	Tassenablage unten Mechanika MAX	Lower Cup Warming Tray Mechanika MAX
17	P2720	Tassenablage oben Mechanika MAX	Cup Warming Tray Mechanika MAX
18	P3002	Reling	Reiling straight
19	P2008	Linsenkopfschraube M5 x 8 - A2	Hex socket button head screw M5 x 8 - A2
20	B7474212	Fuß Tassenablage	Adhesive foot for cup warming tray
21	P2722	Rückwand Mechanika MAX	Back panel Mechanika MAX
22	P7025	Gerätefuß Inox H30mm M10	Appliance feet Inoc H30mm M10
23	P9029	Seitenwand links / rechts Mechanika Slim/MAX	Side panel left / right Mechanika Slim/MAX
24	P6100	Unterlegscheibe M4 A2 - ØA=12mm	Washer M4 A2 - ØA=12mm

MECHANIKA MAX EXPLOSION HYDRAULIK EXPLODED DIAGRAM HYDRAULICS



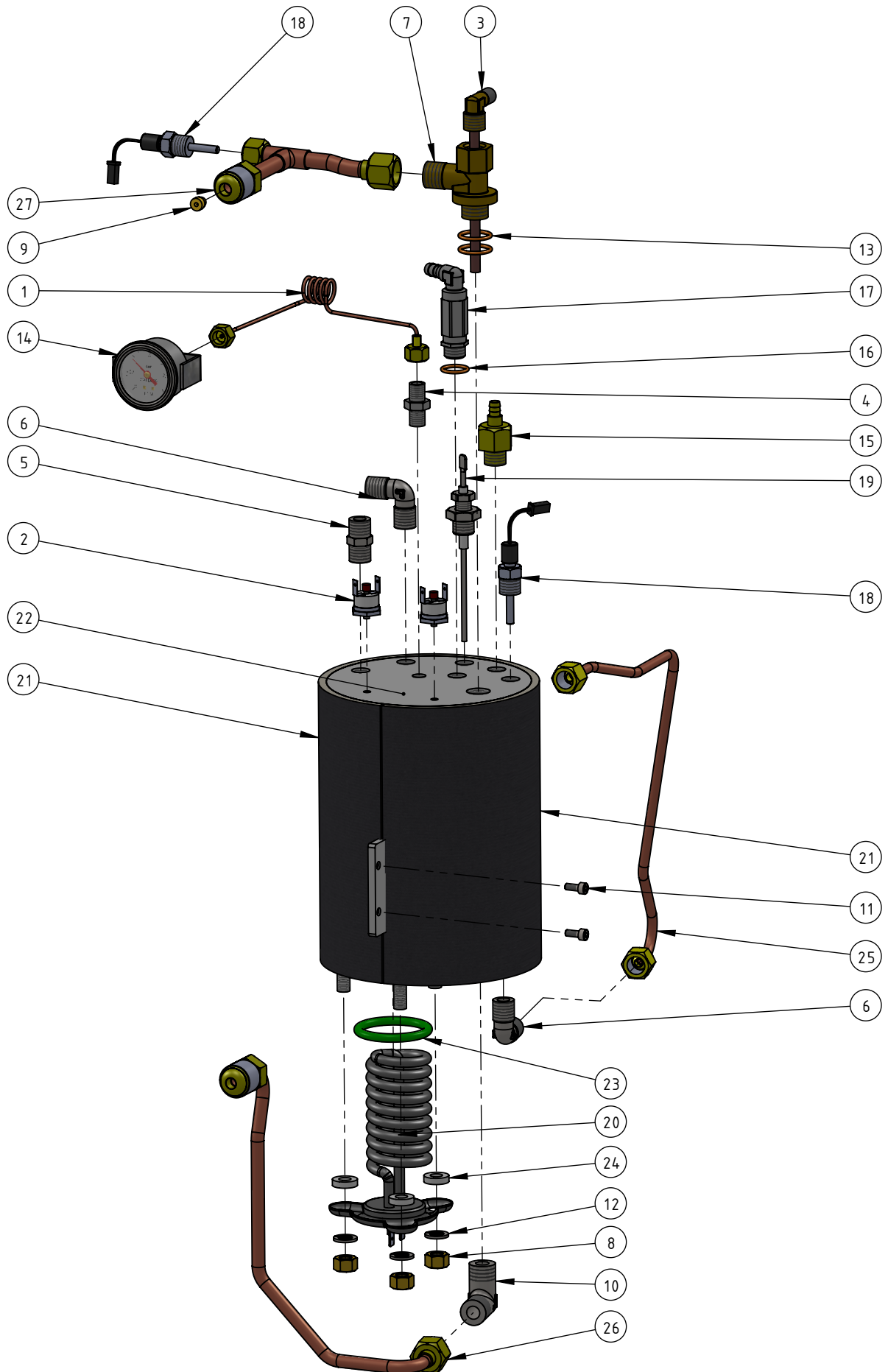
**MECHANIKA MAX
STÜCKLISTE HYDRAULIK I
PARTS LIST HYDRAULICS I**

POS.	ART. NO	BENENNUNG	DESCRIPTION
1	C199900275	Magnetventil 2/2-Wege G1/8" F-F 230V/50Hz	Solenoid valve 2/2-ways G1/8" F-F 230V/50Hz
	US1005	Magnetventil 2/2-Wege G1/8" F-F 115V/60Hz	Solenoid valve 2/2-ways G1/8" F-F 115V/60Hz
2	C227700898	Ablaufdüse	Drain nozzle
3	C229900518	Nippel G1/8" M - G1/8" M	Nipples G1/8" M - G1/8" M
4	C229900519	Nippel G1/4"M - G1/8"M	Nipple G1/4"M - G1/8"M
5	C229900548	Rückschlagventil 1/8" MM	Check valve 1/8" MM
6	C229900703	T-Stück 1/8" FMF	T-connector 1/8"FMF
7	C439900695	Filter Wassertank	Filter water tank operation
8	C499900769	Silikonschlauch transparent	Silicone hose transparent
9	C519900369	Filter Festwasser-eingang	Filter fixed water inlet
10	M3006.6	Wassertankführung Mechanika MAX	Water tank guide Mechanika MAX
11	P2006	Zylinderkopfschraube M4 x 10 A2	Hex socket head cap screw M4 x10 A2
12	P2019	Sechskantmutter M3 A2	Hexagon Nut M3 A2
13	P2051	Sechskantmutter M6 A2	Hex nut M6 A2
14	P2052	Unterlegscheibe M6 A2	Washer M6 A2
15	P2064	Linsenkopfschraube M3 x 5 A2	Hex socket button head screw M3 x 5 A2
16	P2450	ECM Pumpenmanometer Weiss Ø 40mm 0-16Bar	ECM Pump pressure gauge white Ø 40mm 0-16Bar
17	P2520	Rohr Festwasseranschluss / Ventil	Pipe water mains / valve
18	P2559	Kreuzfitting messing Schlauch	Cross fitting brass hose
19	P2567	Expansionsventil 14 Bar Rota	Expansionvalve 14 Bar Rota
20	P2724	Halterung Motor Mechanika MAX	Bracket Motor Mechanika MAX
21	P3015.1	Fuß Motor Rotationspumpe Antivibrante	Foot motor rotation pump
22	P3023	Durchgang G1/4" F - F	Straight-through fitting G1/4" F - F
23	P3036	Metallschlauch Flex G1/8"F - G3/8"F 150cm	Flex hose G1/8"F - G3/8"F 150cm
24	P3042	Motor kompakt Mechanika MAX 230V	Motor compact Mechanika MAX 230V
	P3043	Motor kompakt Mechanika MAX 115V	Motor compact Mechanika MAX 115V
25	P3044	Pumpe 50 l/h mini Edelstahl	Pump 50 l/h mini stainless steel
26	P3527	L-Stück 360° drehbar G1/4" M - F	Elbow 360° rotary G1/4" M - F
27	P3528	Ventil 3-Wege manuell G1/4" FFF	Valve 3-ways manual G1/4" FFF
28	P6014.K	Wassertank komplett	Watertank complete
29	P6014	Wassertank Rohling	Water tank blank
30	P6020.NK	Wassertankadapter komplett	Watertank adapter complete
31	P6020	Wassertankadapter Verschraubung	Water tank adapter screw fitting

**MECHANIKA MAX
STÜCKLISTE HYDRAULIK II
PARTS LIST HYDRAULICS II**

POS.	ART. NO	BENENNUNG	DESCRIPTION
32	B5471509	Kugel Wassertankverschluss	Ball water tank lock
33	B7496076	Dichtung Wassertankadapter unten	Seal water tank adapter lower
34	P6017	Wassertankadapter Stutzen	Water tank adapter union
35	P6020.3	Dichtung Wassertankadapter oben	Seal water tank adapter upper
36	P6023	Feder Wassertankverschluss	Spring water tank lock
37	P6025	O-ring DIN 3771 - 9.25x1.78	Seal water tank adapter middle
38	P6021	Reed Schwimmer	Reed swimmer
39	P6016	Deckel Schwimmer Wassertank	Floater cap water tank
40	P6020.K3	Mutter M20 Wassertank	Watertank adapter connector nut M20
41	P6020.K4	Wassertankadapter M20	Water tank adapter connector
42	P6022	Reed Sensor Wassermangelabschaltung	Reed sensor low water switch-off
43	P6026	Verschlusskappe WT-Adapter	Closure cap WT-connector silicone
44	P6047	Kreuzfitting 1/8" MFFF	Cross fitting 1/8" MFFF
45	P6051	Kapillarrohr Pumpendruckmanometer	Capillary pipe pump pressure gauge
46	P6057	L-Stück 1/4"Mx6	Elbow 1/4"M 6mm silicone tube
47	P6103	Sechskantmutter (halb) M10 A2	Hex thin nut chamfered M10 A2
48	P8016	Flexschlauch G1/8" F - F 250mm	Flexible metal hose G1/8" F - F 250mm
49	P9014	L-Verbindungsstück G1/8" M - G1/8" F	Elbow G1/8" M - G1/8" F
50	P9015	L-Stück G1/4"M - G1/8"M	Elbow G1/4"M - G1/8"M
51	P9423	Kesselbefüllungsrohr Mechanika MAX	Boiler filling pipe Mechanika MAX
52	P9424	Alimentationsrohr Mechanika Max	Downtake pipe Mechanika Max
53	P2077	Zylinderkopfschraube M6 x 8 A2	Hex socket head cap screw M6 x 8 A2
54	P8012	Flexschlauch G1/8" M - F 180mm	Flexible metal hose G1/8" M - F 180mm

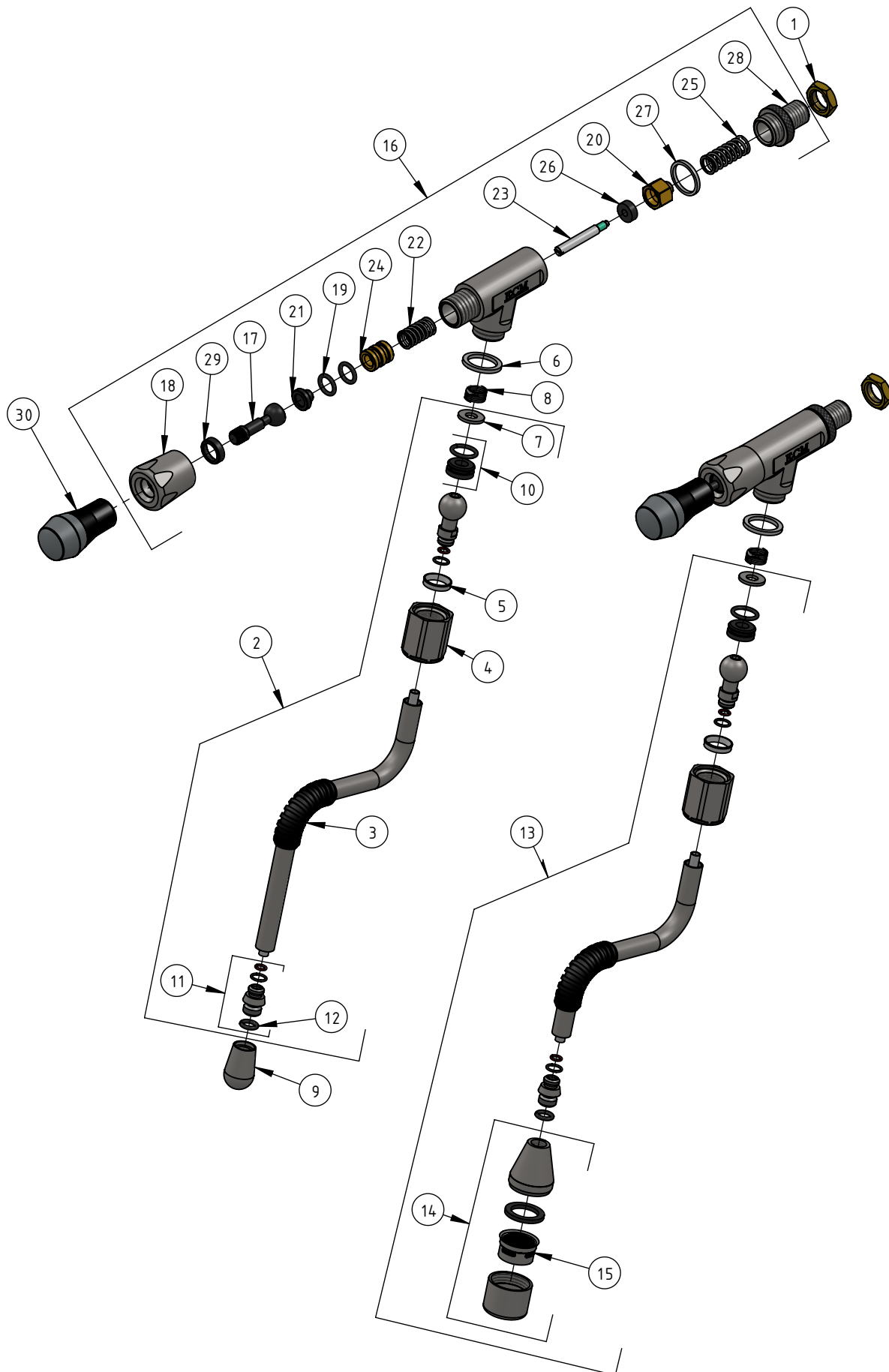
MECHANIKA MAX EXPLOSION KESSEL EXPLODED DIAGRAM BOILER



**MECHANIKA MAX
STÜCKLISTE GEHÄUSE
PARTS LIST BOILER**

POS.	ART. NO	BENENNUNG	DESCRIPTION
1	B7400902	Kapillarrohr Kesseldruckmanometer	Capillary pipe boiler gauge
2	C199901550.1	Sicherheitsthermostat 145°C	Safety thermostat 145°C
3	C229900393	Injektionsrohr	Injection pipe
4	C229900518	Nippel G1/8" M - G1/8" M	Nipples G1/8" M - G1/8" M
5	C229900520	Nippel G1/4"M - G1/4"M	Nipple G1/4"M - G1/4"M
6	C229900525	L Verbindungsstück G1/4" M - G1/4" M	Elbow 1/4"MM conical-conical
7	C229900740	Verbindungsstück Injektionsrohr	Connection injection pipe
8	C309900127.2	Sechskantmutter M8 Messing	Hex nut M8 brass
9	P1910.1	Stauscheibe Ø 2,5mm	Press-fit nozzle Ø 2,5mm
10	P1930	Winkel Kessel/Wärmetauscher G3/8"M - G3/8"M	Elbow boiler/heat exchanger G3/8 "M - G3/8 "M
11	P2006	Zylinderkopfschraube M4 x 10 A2	Hex socket head cap screw M4 x10 A2
12	P2011	Federring M8 A2	Spring washer M8 A2
13	P2045	Kupferdichtung G3/8"	Copper sealing ring G3/8"
14	P2451	ECM Kesselmanometer Weiss Ø 40mm 0-3 Bar	ECM Boiler pressure gauge white Ø 40mm 0-3Bar
15	P2561	Antivakuumventil 1/4" M mit Ablauf	Anti-vacuum valve with drain 1/4"
16	P2049	Kupferdichtung 1/4"	Copper sealing ring 1/4"
17	P2661	Sicherheitsventil 2,5 Bar m. Ablauf G1/4"	Safety relief valve 2,5 bar w. drain G1/4"
18	P6037	Temperatursensor G1/4"	Temperature probe G1/4"
19	P6310	Füllstandskontrollsonde 97 mm	Level control probe 97mm
20	P7014.1	Heizung 230V 1400W	Heating element stainless steel boiler 230V 1400W
	US1000	Heizung 115V 1400W	Heating element stainless steel boiler 230V 1400W
21	P7049	Kesselisolierung	Boiler insulation
22	P7081	Kessel Inox Wärmetauscher	Boiler Inox heat exchanger
23	P9013	Dichtung Heizung Kessel Edelstahl	Seal heating element stainless steel boiler
24	P9033	Scheibe Teflon Ø 7,8 x 15,8 x 4 mm	Washer Teflon Ø 7,8 x 15,8 x 4mm
25	P9421	Wasserentnahmerohr Mechanika MAX	Water extraction pipe Mechanika MAX
26	P9426	Rücklaufrohr Mechanika MAX	Return pipe Mechanika MAX
27	P9427	Zulaufrohr mit Sensoranschluss G1/4"	Entry pipe with sensor connection G1/4"

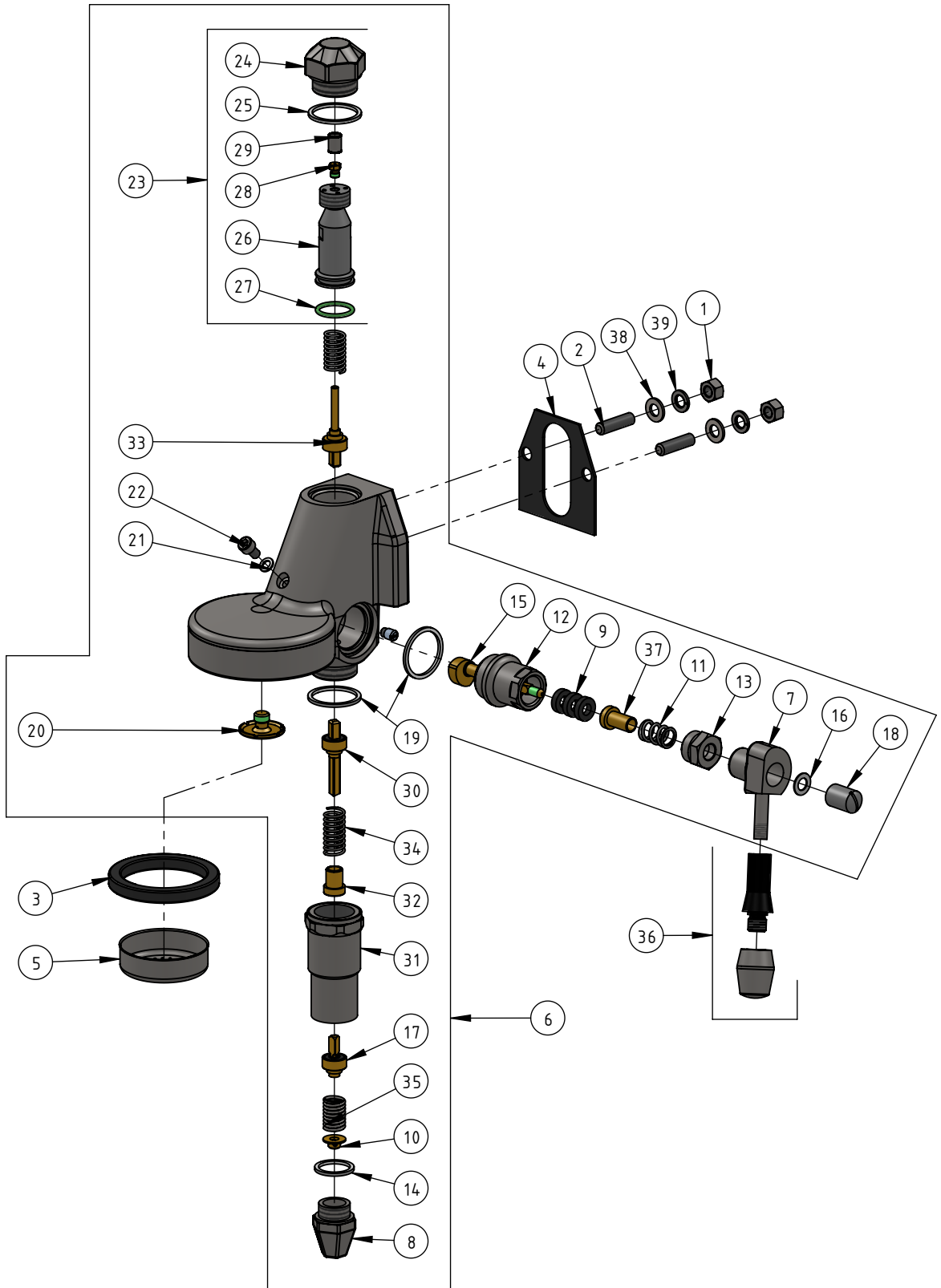
MECHANIKA MAX EXPLOSION VENTILE EXPLODED DIAGRAM VALVES



**MECHANIKA MAX
STÜCKLISTE VENTILE
PARTS LIST VALVES**

POS.	ART. NO	BENENNUNG	DESCRIPTION
1	C329900682	Mutter (halb) 1/4"	Half nut 1/4"
2	P6005	Dampflanze No-Burn ECM	Steam lance No-Burn ECM
3	P6002.2	Gummiisolation	Rubber insulation
4	P6005.5	Nuss Dampf-/Heißwasserlanze	Nut steam-/hot water lance
5	P6010	Teflonring Nuss	Ball socket teflon
6	P6015	Teflondichtung für Ventil	Teflon gasket for valve
7	P6012	Unterlegscheibe Ventil P6000	Washer valve P6000
8	P6011	Feder Ventil P6000	Spring Valve P6000
9	P6002.4	2-Loch Dampfdüse no burn	2-hole Steam-nozzle no burn
10	P6010	Teflonscheibe	Ball socket teflon
11	P6006.1	Adapter Dampfdüse/Heisswasser	Adaptor steam-/hotwater nozzle
12	P6002.1	OR Dampfdüse	OR Steam nozzle
13	P6006	Heißwasserrohr No-Burn	Hot water lance no-burn
14	P6001.1	Perlator Heißwasserrohr komplett	Perlator hot water pipe complete
15	P6001.2	Sieb Heißwasserauslass	Strainer hot water outlet
16	P6080	QS-Ventil klein ECM G1/4"	QS-valve small ECM G1/4"
17	P6080.3	Hebel QS-Ventil klein	Lever QS-valve small
18	P6080.1	Überwurfmutter QS-Ventil klein	Union nut QS valve small
19	P6080.5	O-Ring Ventilkolben	O-Ring valve piston
20	P6080.11	Halter Ventilsitzdichtung	Holder valve seat seal
21	P6080.4	Knopf arretierelement Ventil	Button locking element valve
22	P6080.7	Ventilfeder vorne	Valvespring front
23	P6080.9	Ventilstößel	Valve tappet
24	P6080.6	Ventilkolben radial dichtend	Valve piston radial sealing
25	P6080.13	Ventilfeder hinten	Valvespring rearside
26	P6080.10	Ventilsitzdichtung EPDM	Valve sealing element EPDM
27	P6080.12	Flachringdichtung PTFE	Flat ring seal PTFE
28	P6080.14	Ventilverschraubung Edelstahl G1/4"	Valve fitting stainless steel G1/4"
29	P6080.2	Einsatzring Ventilmutter	Insert ring valve nut
30	P1019	Griff M8 quick steam Ventil	Handle M8 quick steam valve

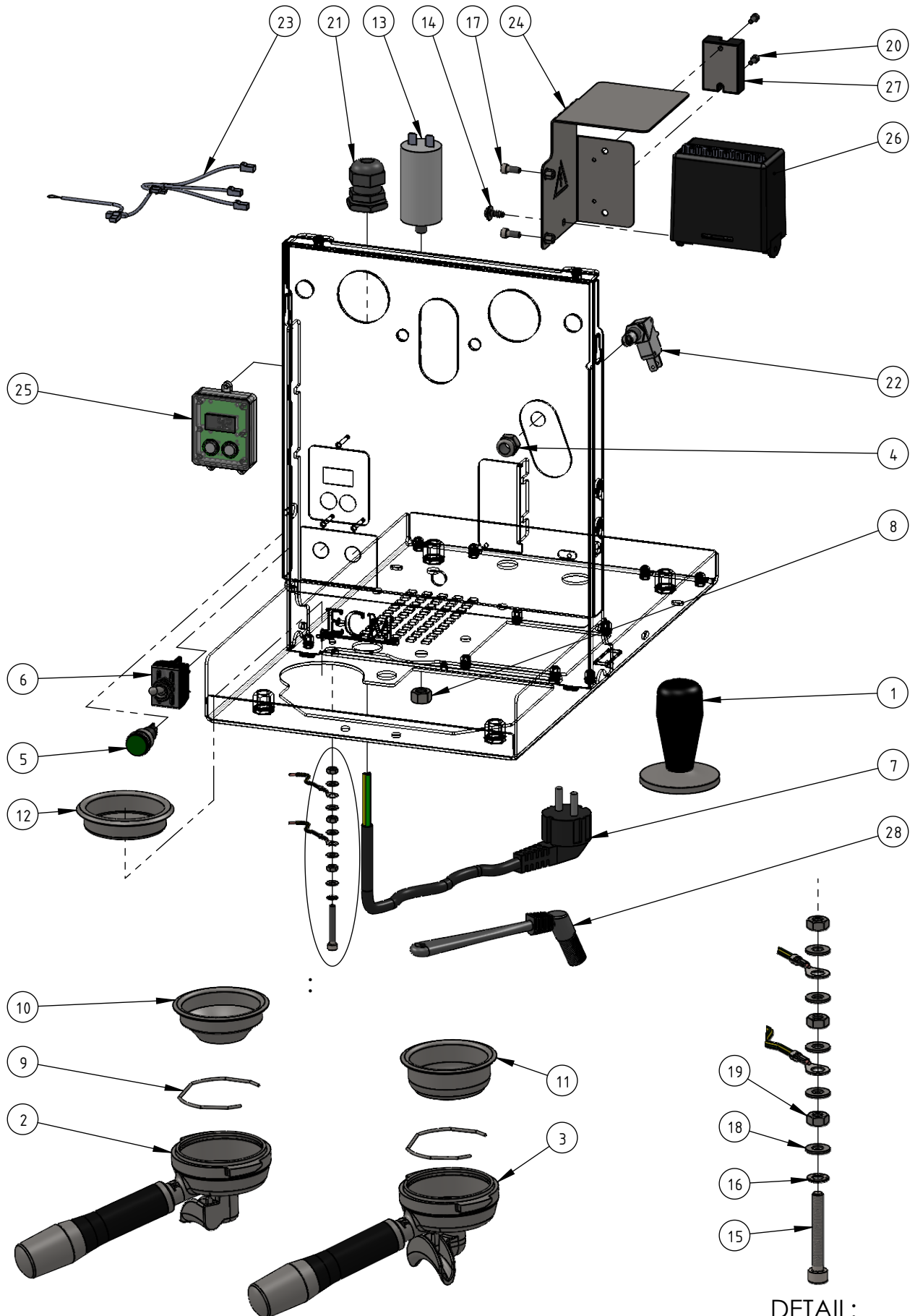
MECHANIKA MAX EXPLOSION BRÜHGRUPPE EXPLODED DIAGRAM BREWGROUP



MECHANIKA MAX
STÜCKLISTE BRÜHGRUPPE
PARTS LIST BREWGROUP

POS.	ART. NO	BENENNUNG	DESCRIPTION
1	C309900127	Sechskantmutter M8 A2	Hex nut M8 A2
2	C309900131	Gewindestift M8 x 30 A2	Socket set screw flat point M8 x 30 A2
3	P1021	Gruppendichtung H=8,5mm	Group gasket H=8,5mm
4	C449900767	Dichtung Brühgruppe am Gehäuse	Gasket brew group/front panel E61
5	C519900103	Duschensieb für alle Modelle E-61	Shower screen E-61
6	P1016	Brühgruppe ECM E61	Brewgroup ECM E61
7	P1000.2	Brühgruppenbedienhebel mit Nocke kurz	Camlever short
8	P1000.5	Auslass Gruppe unten	Outlet brew group bottom
9	C219900426	Dichtung Nockenwelle Brühgruppe E61	Sealing camshaft brewgroup E61
10	R000002148	Sprühverteiler unten	Sprayer lower
11	C219900427	Feder Achse Brühgruppe E61	Spring axis group
12	R000002142	Flansch	Flange
13	R000002144	Verschraubung Achse Gruppe	Screw joint axis group
14	C469900783	Dichtung Teflon E61 unten	Teflon gasket 26x21x2
15	C219900425	Nockenwelle Brühgruppe E61	Camshaft brewgroup E61
16	B7479947	Zahnscheibe M8	Lock washer M8
17	C219900430	Ventil Brühgruppe E61 unten	Valve group E61 lower
18	R000002146	Bolzen Hebel	Bolt lever
19	C469900421	Dichtung Teflon 35x30x2	Gasket axis 35x30x2
20	C229901128	Sprühverteiler	Sprayer brew group
21	C469901132	Teflondichtung 10x6x1	Teflon gasket 10x6x1
22	P2057	Zylinderkopfschraube M6 x 10 A2	Hex socket head cap screw M6 x 10 A2
23	P1000.1	E61 Inox Glocke komplett	E61 Inox Mushroom assembly
24	P1000.4	Verschraubung Brühgruppenzylinder ECM	Screw plug brew group cylinder ECM
25	C469900421	Dichtung Teflon 35x30x2	Gasket axis 35x30x2
26	P1000.3	Brühgruppenzylinder unten	Brewgroup cylinder
27	C469900422	Dichtung Glocke Brühgruppe	Gasket socket brew group
28	C229900549	Gigleur 0,8	Flow restrictor 0,8
29	P1025.4	Metallfilter Gigleur	Metal filter Gigleur
30	C219903081	Ventil Brühgruppe E61 Mitte	Valve group E61 middle
31	C229901165	Vorbrühzylinder	Sleeve assembly
32	B7479942	Federführung Gruppe	Spring guide group
33	C219900424	Ventil Brühgruppe E61 oben	Valvestem upper brewgroup E61
34	C219900423	Feder Brühgruppe E61	Spring upper/middle
35	C219900431	Feder unten	Spring lower
36	P1002	Hebel Gruppe M8 Chrom komplett	Lever E61 M8 chrome
37	P1004	Stutzen Brühgruppe	Grouting piece gland seal
38	P2010	Unterlegscheibe M8 A2	Washer metric size 8 A2
39	P2011	Federring M8 A2	Spring washer M8 A2

MECHANIKA MAX
EXPLOSION ELEKTRONIK
EXPLODED DIAGRAM ELECTRONICS



DETAIL:
-Provision for earthing
-Erdungsanschluss

**MECHANIKA MAX
STÜCKLISTE ELEKTRONIK
PARTS LIST ELECTRONICS ACC.**

POS.	ART. NO	BENENNUNG	DESCRIPTION
1	89410	Neutral Tamper Geräte beigabe	Neutral Tamper
2	89424	ECM Filterträger 1 Auslauf	ECM Portafiltre 1 spout
3	89425	ECM Filterträger 2 Ausläufe	ECM Portafiltre 2 spouts
4	B5221875CM	Mutter Mikroschalter M10 x 0,75	Hexagon nut microswitch
5	B7633618	Kontrolllampe grün 230V	Control lamp green 230V
6	C199900087	Ein-Ausschalter-Metall Bipol	Toggle switch I/O
7	C199900957	Netzkabel Schuko-Stecker	Power cord-set
	P2034	Netzkabel US-Stecker	Power cord US-plug
	P2035	Netzkabel UK-Stecker	Power cord UK-plug
	P2036	Netzkabel AU/CN-Stecker	Power cord AU/CN-plug
	P2037	Netzkabel CH-Stecker	Power cord CH-plug
	P2096	Netzkabel JP-Stecker	Power cord JP-plug
8	C309900127	Sechskantmutter M8 A2	Hex nut M8 A2
9	C619900098	Haltefeder Filterträger	Locking spring portafilter
10	C619900104	Tassensieb 7g	Filter for 1 cup 7g coffee
11	C619900105	Tassensieb 14g	Filter for 2 cups 14g coffee
12	C619900106	Blindsieb	Blind filter
13	G1239	Kondensator Motor 6µF	Condensator motor 6µF
	G1241	Kondensator Motor 25µF	Condensator motor 25µF
14	P1968	Schraube Befestigung Elektronik / Netzteil	Fastening screw control / power supply unit
15	P1983	Zylinderschraube M4 x 30 A2	Hex socket head cap screw M4 x 30 A2
16	P2004	Fächerscheibe M4 A2	Serrated lock wascher M4 A2
17	P2006	Zylinderkopfschraube M4 x 10 A2	Hex socket head cap screw M4 x10 A2
18	P2009	Unterlegscheibe M4 A2	Washer M4 A2
19	P2026	Sechskantmutter M4 A2	Hex nut M4 A2
20	P2068	Zylinderkopfschraube M3 x 8 - A2	Hex socket head cap screw M3 x 8 - A2
21	P2070	Kabelbefestigung mit Mutter	Cable gland with nut
22	P2081	Mikroschalter Rollenstößel	Microswitch with wheel
23	P2579	Kabelbaum Mechanika MAX	Cable harness Mechanika MAX
24	P2723	Halterung Elektronik und Relay	Bracket electronic and relay
25	P2801	Siebensegmentanzeige Mechanika MAX	Seven-segment display Mechanika MAX
26	P2810	Elektronik Mechanika MAX	Control Box Mechanika MAX
27	P6029	Statisches Relais klein	Solid state relay
28	R210	Reinigungspinsel	Cleaning brush coffee machine