



11/2023 – MILANO

Rev. 1.0

**APPARTAMENTO**

**TCA**

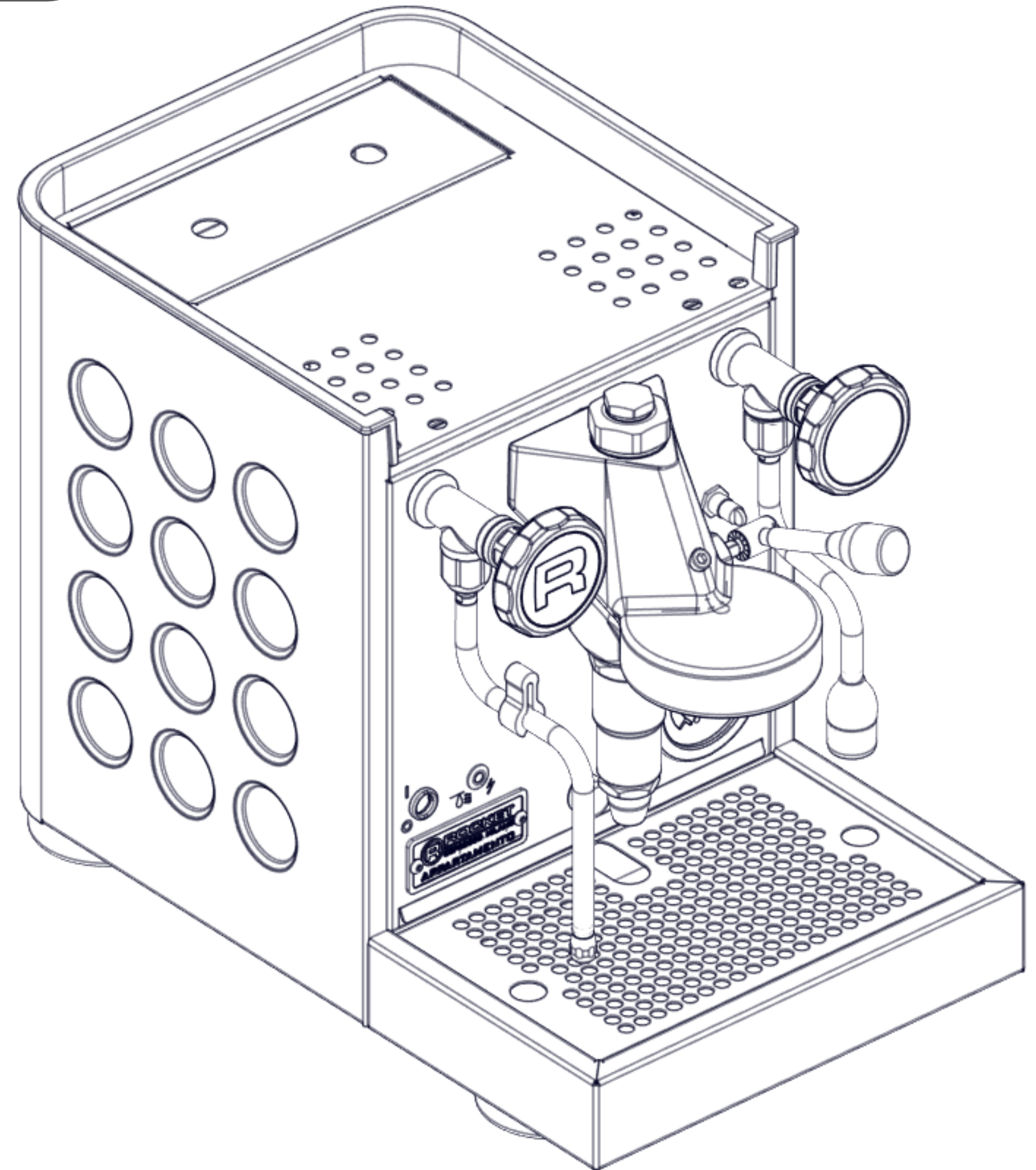
**EXPLODED**

**VIEWS**

# APPARTAMENTO TCA

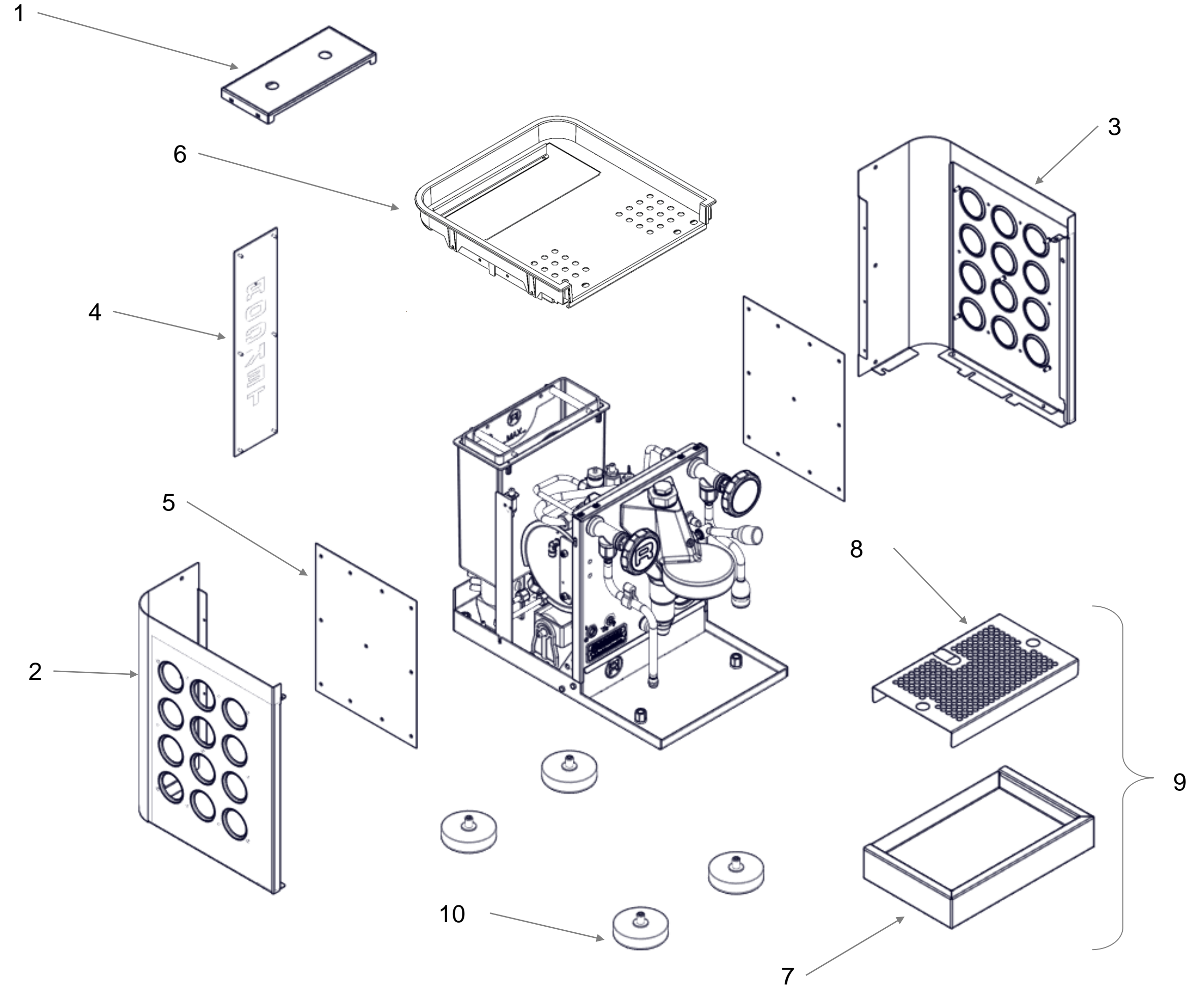
## EXPLODED VIEWS

## CODES FOR SPARE PARTS ORDERING



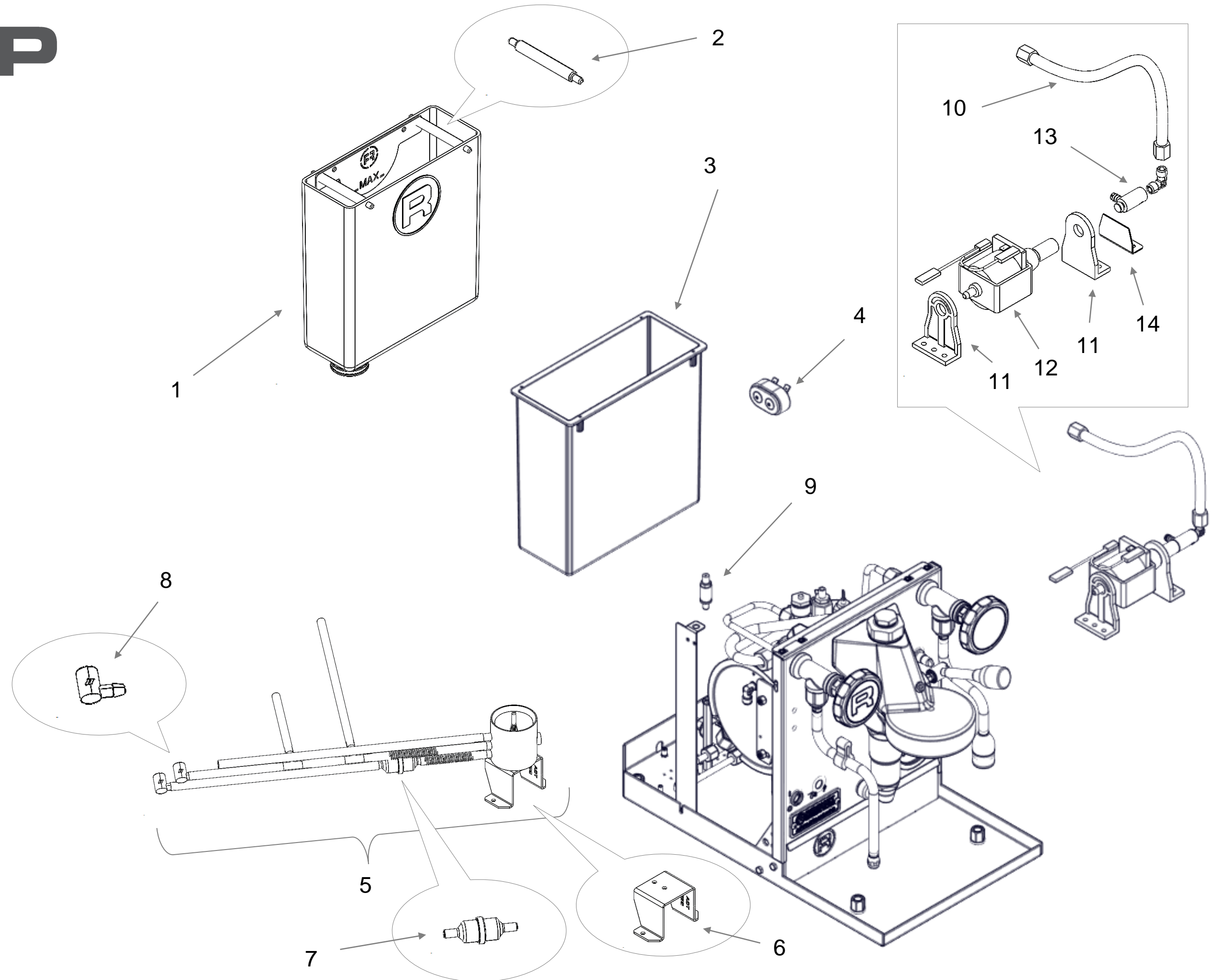
# BODY PANEL

ID	CODE	DESCRIPTION
1	R01L000382	TANK COVER
2	A019908558	LEFT PANEL
	A019908779	BLACK LEFT PANEL
3	A019908559	RIGHT PANEL
	A019908780	BLACK RIGHT PANEL
4	A019908569	BLACK BACKPLATE + LETTERS
	A019908570	RUSTED COPPER BACKPLATE + LETTERS
	A019908568	WHITE BACKPLATE + LETTERS
5	A619908057	BLACK LATERAL PLATE
	A619908056	RUSTED COPPER LATERAL PLATE
	A619908055	WHITE LATERAL PLATE
6	R089909050	CUP TRAY ASSEMBLY
7	R01L009048	DRIP TRAY (WITH MAGNETS)
8	A019907966	GRID
9	R01L009049	DRIP TRAY KIT
10	A059905755	FOOT

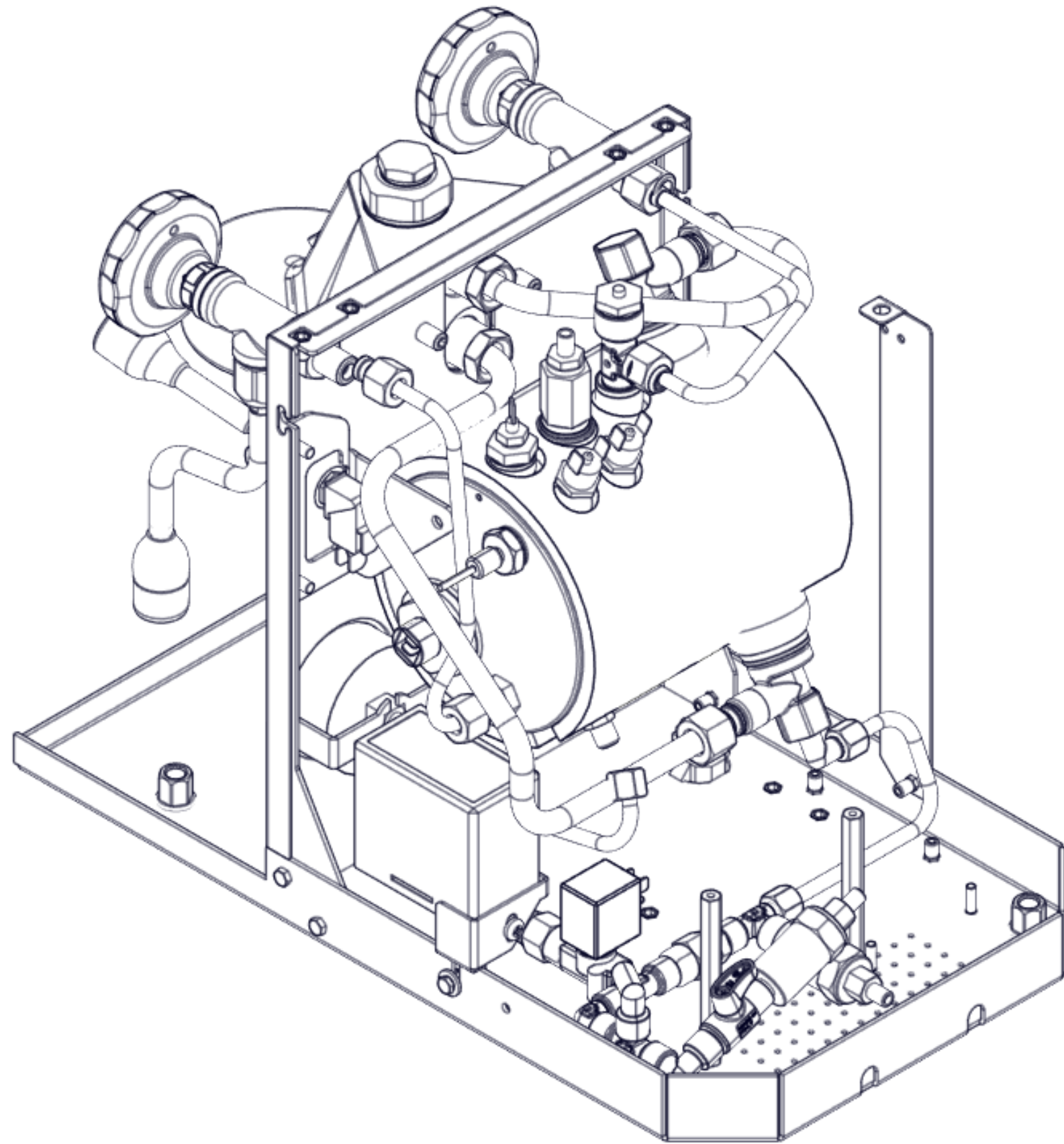


# TANK & PUMP

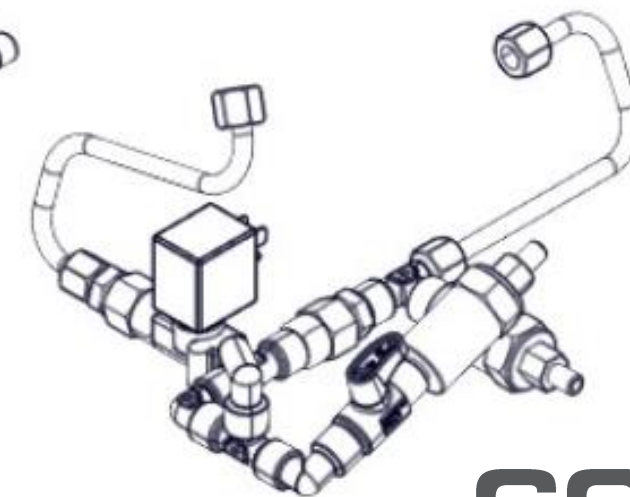
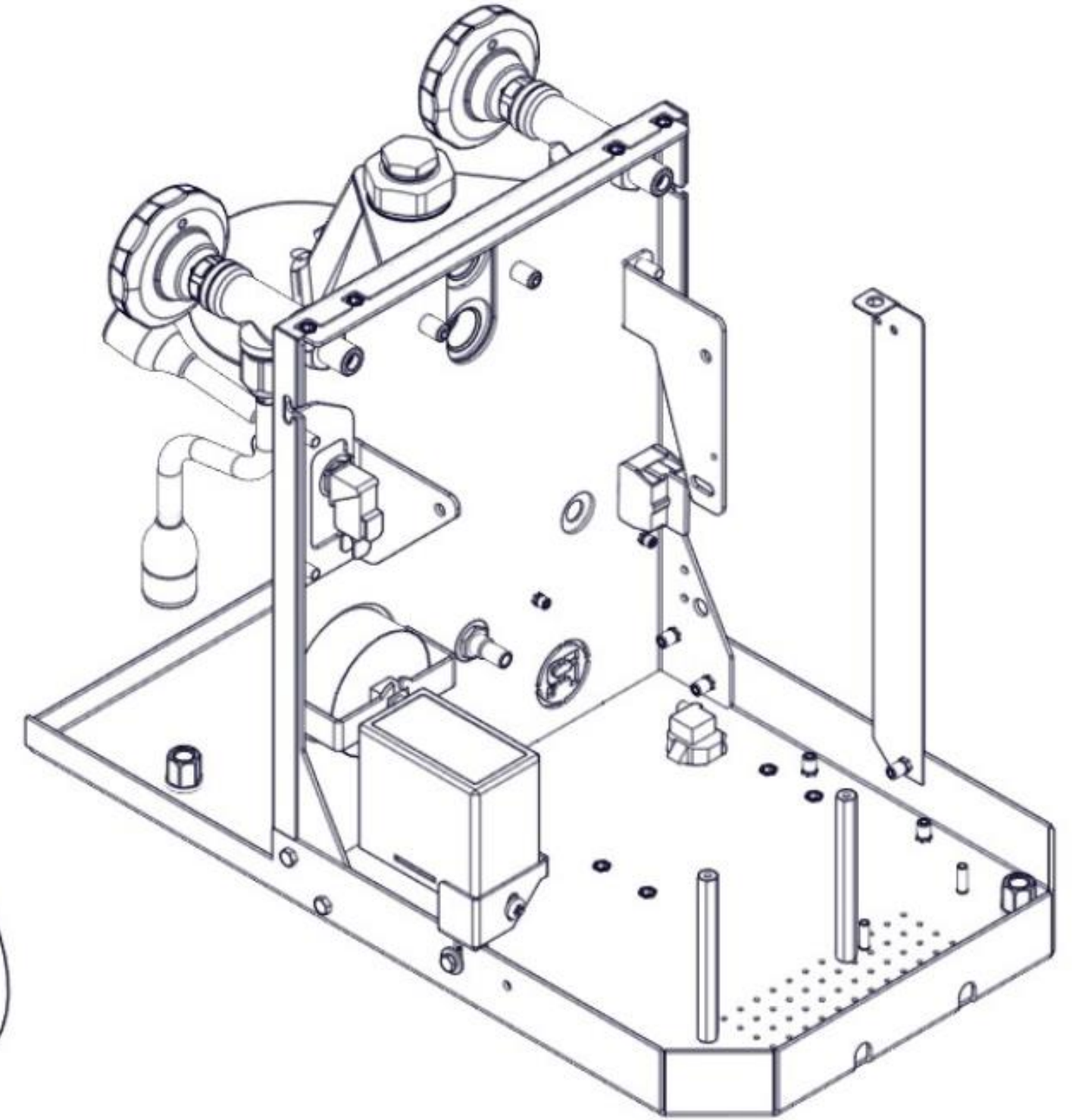
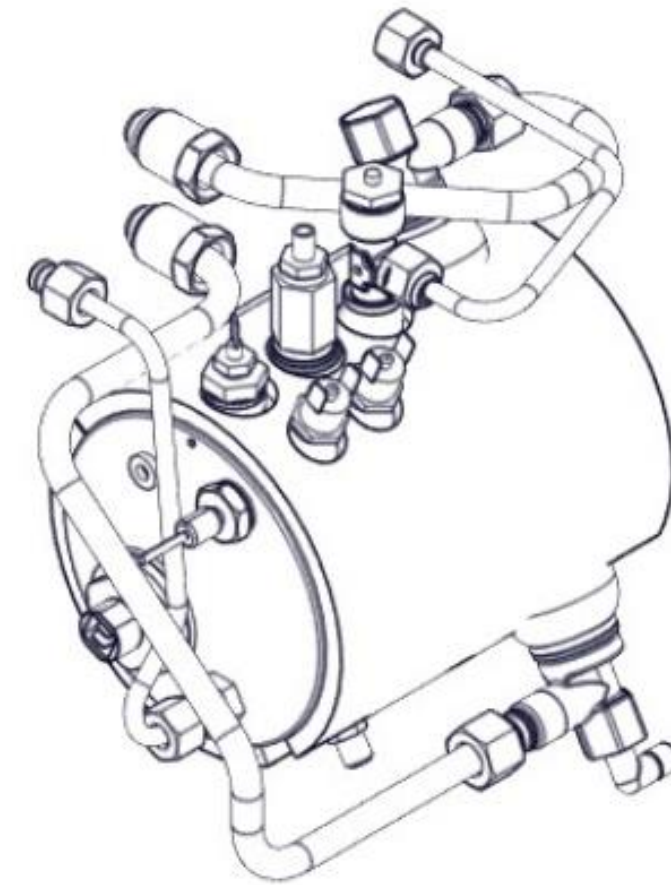
ID	CODE	DESCRIPTION
1	R899906849	TANK
2	A639904956	TANK HANDLE
3	A039907928	TANK GUIDE
4	R839907128	LEVEL CONTROL SISTEM
5	R439908722	COLLECTOR KIT
6	A019908854	COLLECTOR SUPPORT
7	C439900695	FILTER
8	C449900709	FITTING
9	A299908765	TANK NR VALVE
10	M299906355	PUMP FLEXIBLE PIPE
11	C199900280	PUMP 230 V
	C199900281	PUMP 115 V
	A199905220	PUMP 220 V
	A199905441	PUMP 100 V
12	A849906070	PUMP SUPPORT
13	C200002112	S2 VALVE
14	A009908647	PUMP SUPPORT STIFFENING



# HYDRAULIC CIRCUIT



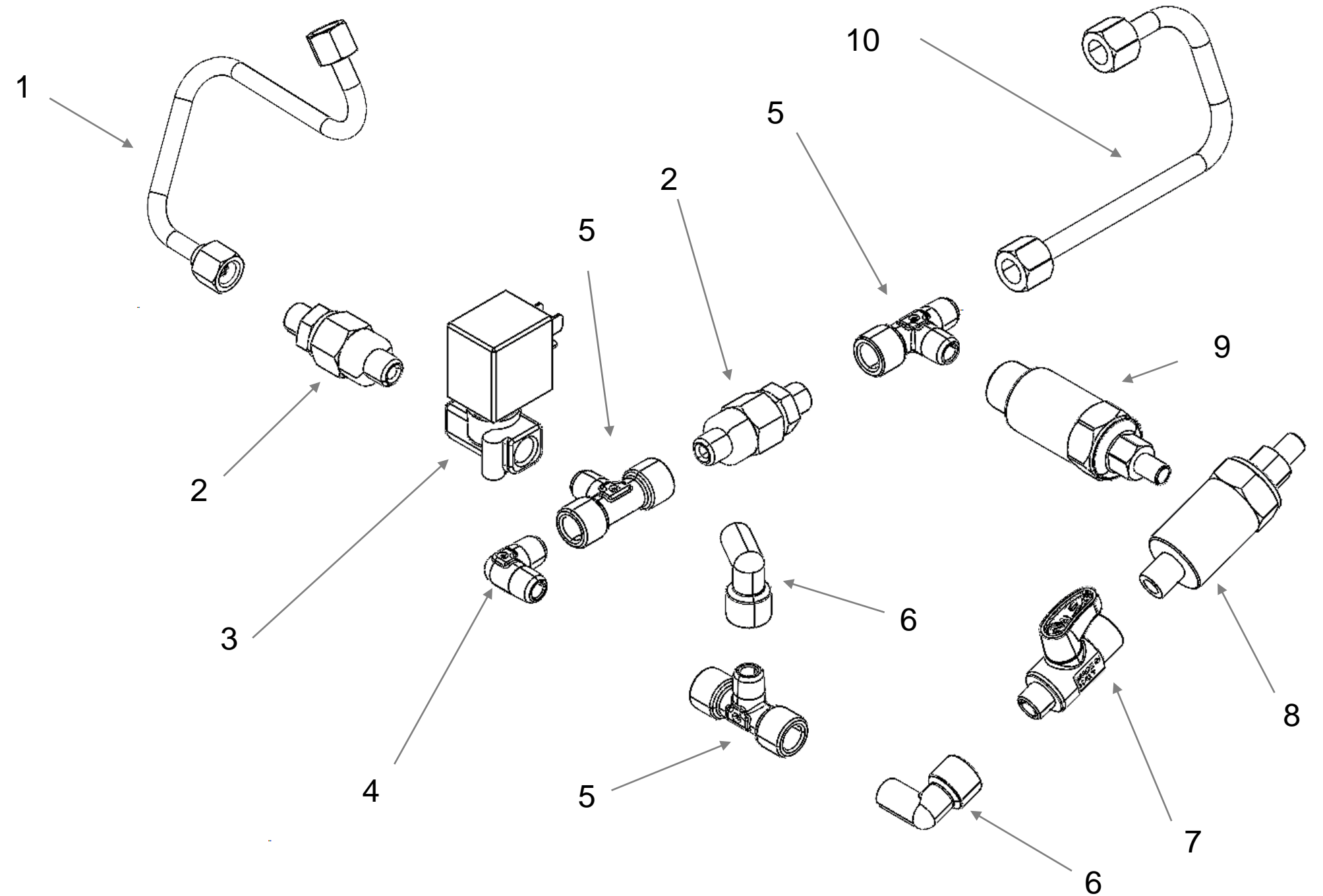
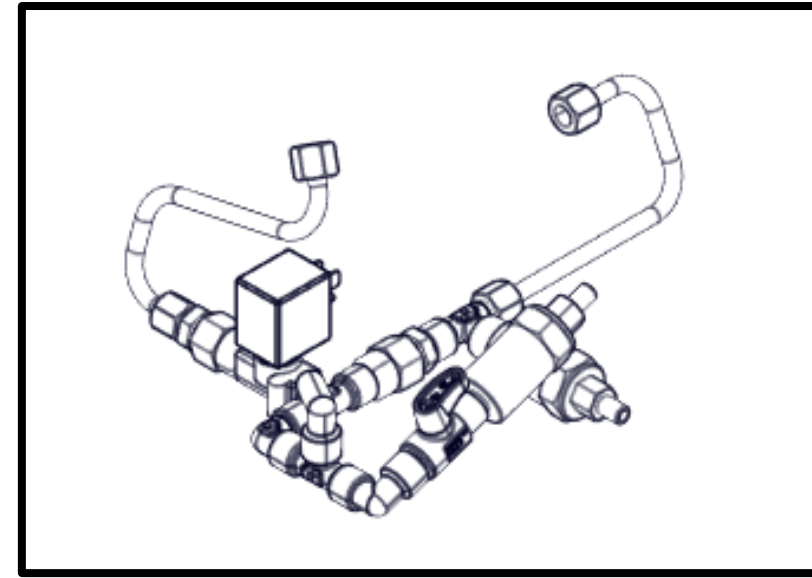
**HOT CIRCUIT**



**COLD CIRCUIT**

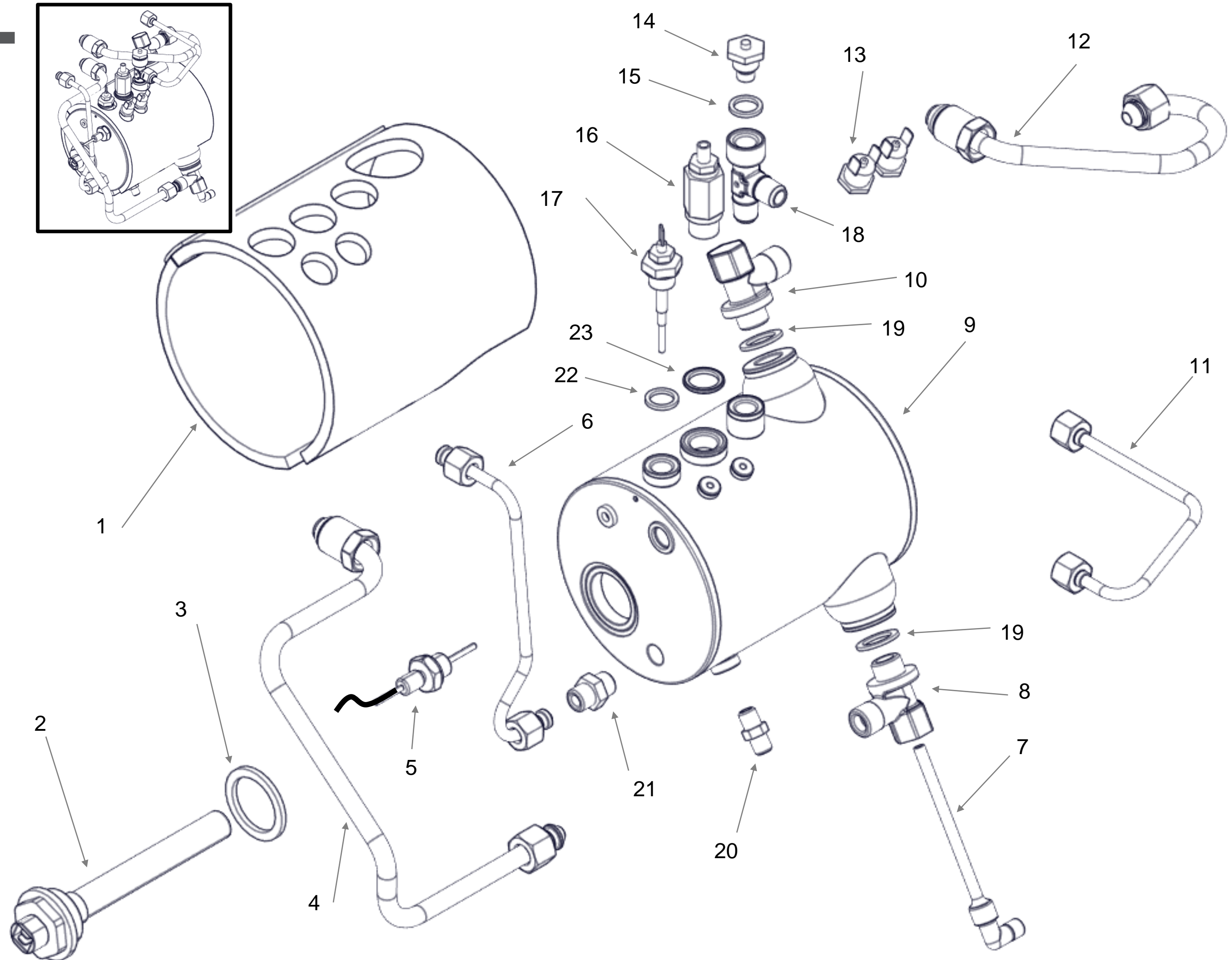
# COLD CIRCUIT

ID	CODE	DESCRIPTION
1	A279908855	BOILER PIPE
2	C229900540	NON RETURN VALVE
3	C190004066	EV 2 WAY 230V
	C190004067	EV 2 WAY 115V
4	A229905487	L FITTING 1/8 MM
5	C229900703	T FITTING 1/8 MFM
6	A229904445	L FITTING 1/8 MF
7	A299904994	TAP 1/8 MM
8	A299905143	EXPANSION VALVE 9 BAR
9	C229900911	EXPANSION VALVE 11,5 BAR
10	A279907990	HEAT EXCHANGER PIPE



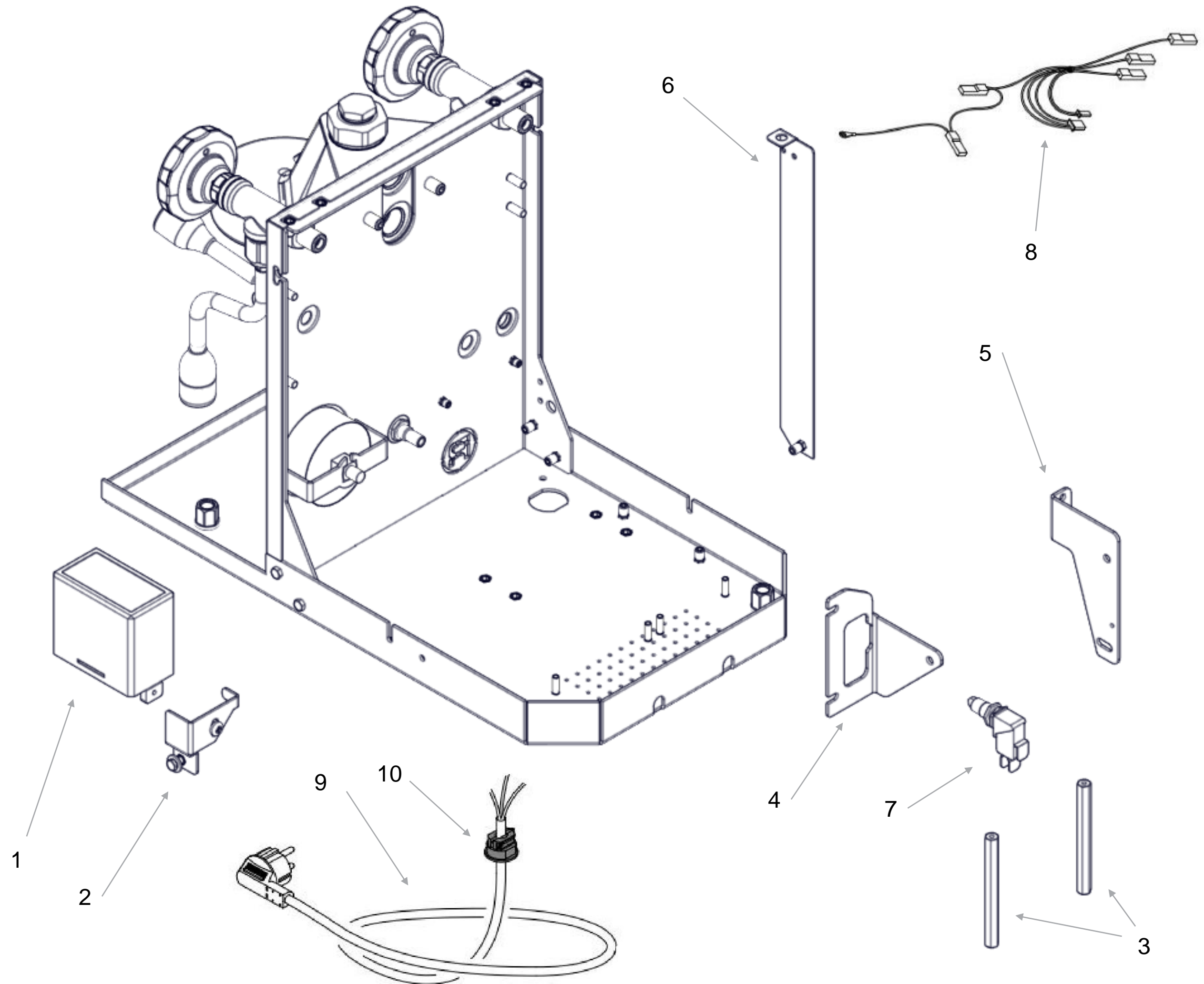
# HOT CIRCUIT

ID	CODE	DESCRIPTION
1	A499904995	BOILER ENERGY SAVING COVER
2	C199901551	HEATING ELEMENT 230 V
	C199901552	HEATING ELEMENT 115 V
3	C469900239	HEATING ELEMENT GASKET
4	A27NI07955	RETURN PIPE
5	A119905081	NTC PROBE
6	A27NI07953	HOT WATER PIPE
7	C22NI00393	HEAT EXCHANGER PIPE
8	C229900740	HEAT EXCHANGER RETURN FITTING
9	A27NSF4278	BOILER
10	A229904957	HEAT EXCHANGER FORWARD FITTING
11	A27NI04290	STEAM PIPE
12	A27NI07954	FORWARD PIPE
13	C199901550	SAFETY THERMOSTAT
14	A219905510	VACUUM VALVE
15	A269904417	GASKET
16	A299907604	SAFETY VALVE
17	C199900839	LEVEL PROBE
18	A229905820	T FITTING 1/4 FMM
19	C479900673	HEAT EXCHANGER COPPER GASKET
20	C229900518	CONNECTOR 1/8M-1/8M
21	C229900520	CONNECTOR 1/4M-1/4M
22	A269904417	TEFLON GASKET 1/4"
23	A449906005	TEFLON GASKET 3/4"



# ELECTRONIC

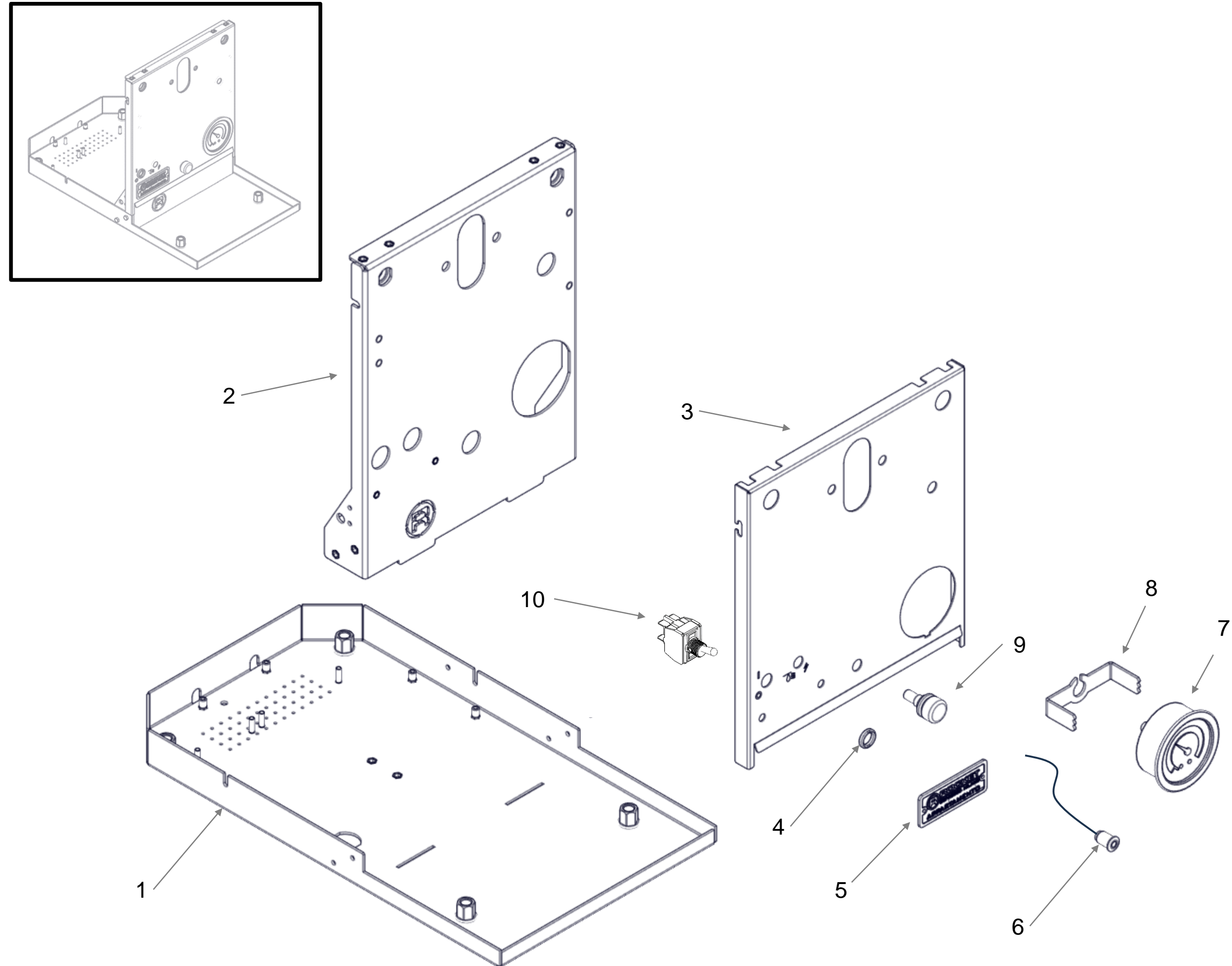
ID	CODE	DESCRIPTION
1	A199908038	CONTROL BOARD
2	A009907970	CONTROL BOARD BRACKET
3	A529908853	TANK GUIDE SUPPORT
4	A009907929	BOILER BRACKET
5	A009907950	BOILER BRACKET
6	A019907959	VENT PIPE BRACKET
7	A199905198	MICROSWITCH
8	A199908035	COMPLETE CABLING
9	C199900957	CE POWER CORD
	A199904518	IS POWER CORD
	A199904616	KR POWER CORD
	C199900958	UL POWER CORD
	C199901115	AUS/NZ POWER CORD
	C199901116	GB POWER CORD
	C199901510	CH POWER CORD
10	C439900086	CABLE GLAND





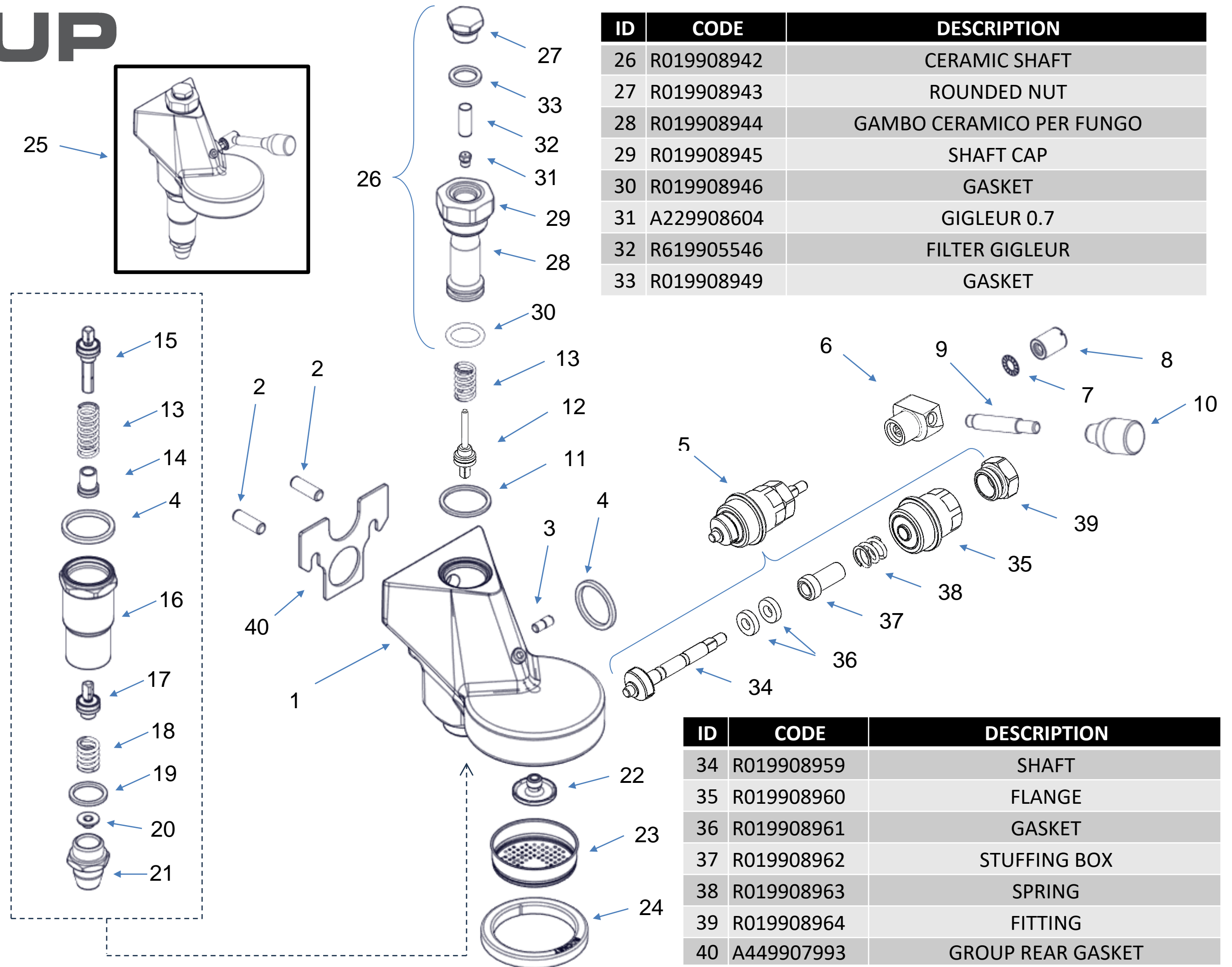
# BODYWORK

ID	CODE	DESCRIPTION
1	A009907921	BASEMENT
2	A009907922	CHASSIS
3	A011007920	FRONT INOX PANEL
4	A529904989	POWER SWITCH RING
5	A859905733	ROCKET LABEL
6	A199908037	RGB LIGHT
7	A299905785	PRESSURE GAUGE
8	M009904997	GAUGE BRACKET
9	A227704363	EXPANSION OUT FITTING
10	A199904992	POWER SWITCH



# COFFEE GROUP

ID	CODE	DESCRIPTION
1	R019908921	NEW BODY (COMPLETE)
2	R019908922	SCREW M8X25 ISO 4026 INOX
3	R019908923	BLOCK CAM M6x16
4	R019908924	GASKETAS
5	R019908925	CAM KIT
6	R019908926	BLOCCHETTO MANIGLIA
7	R019908927	WASHER M8
8	R019908928	SCREW ASTINA5xM6
9	A507708775	SHAFT
10	A839907915	KNOB
11	R019908929	GASKET
12	R019908930	VALVE
13	R019908931	SPRING
14	R019908932	BUSHING SPRING
15	R019908933	VALVE
16	R019908934	CYLINDER
17	R019908935	DRAIN VALVE
18	R019908936	SPRING
19	R019908937	GASKET
20	R019908938	CONNECTOR
21	R019908939	CONNECTOR
22	C229901228	DIFFUSER
23	C519900103	SHOWER
24	A349908602	ROCKET GASKET Sp=8.5
	A349908601	ROCKET GASKET Sp=8.0
25	A289908577	COMPLETE ROCKET E61 GROUP

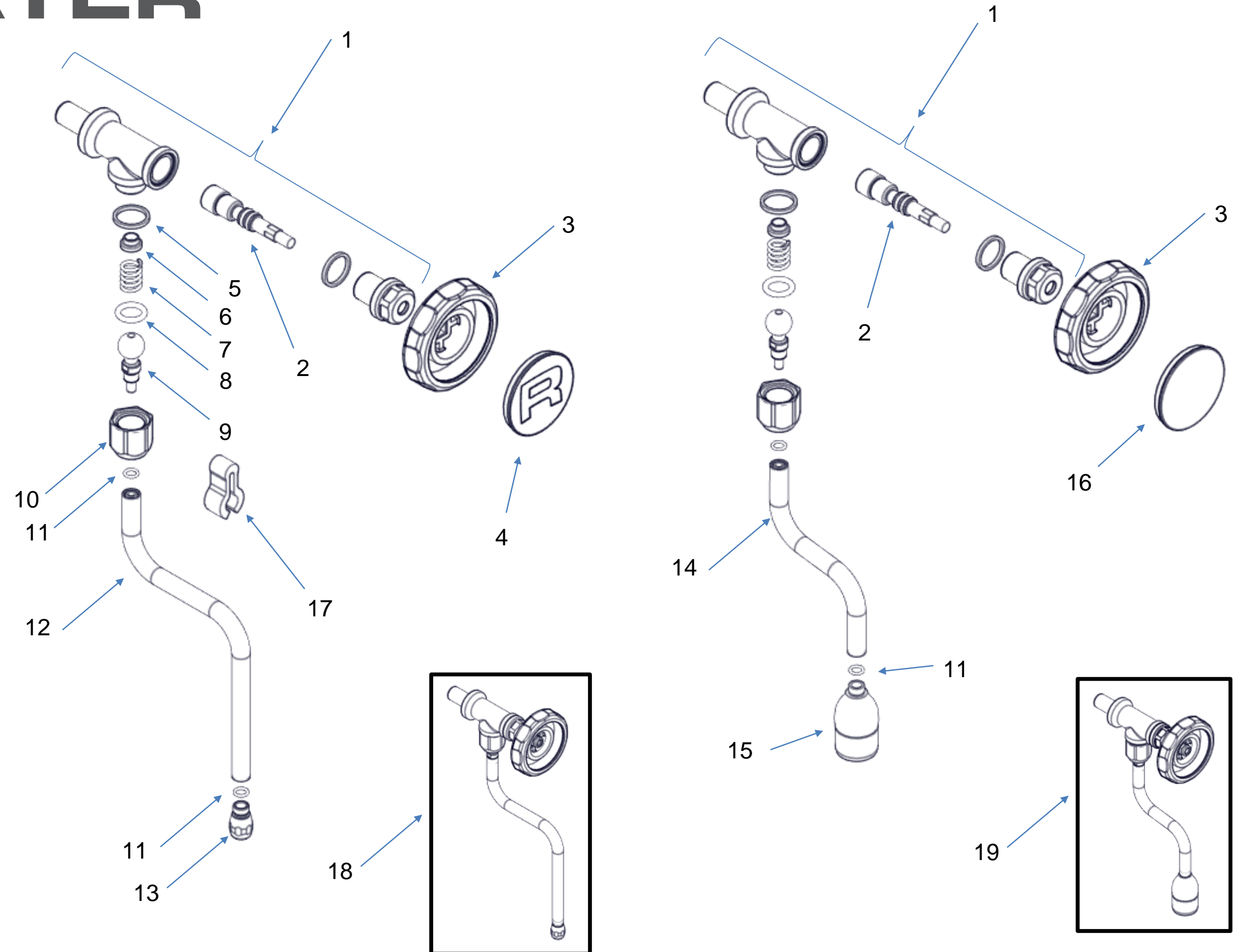


ID	CODE	DESCRIPTION
26	R019908942	CERAMIC SHAFT
27	R019908943	ROUNDED NUT
28	R019908944	GAMBO CERAMICO PER FUNGO
29	R019908945	SHAFT CAP
30	R019908946	GASKET
31	A229908604	GIGLEUR 0.7
32	R619905546	FILTER GIGLEUR
33	R019908949	GASKET

ID	CODE	DESCRIPTION
34	R019908959	SHAFT
35	R019908960	FLANGE
36	R019908961	GASKET
37	R019908962	STUFFING BOX
38	R019908963	SPRING
39	R019908964	FITTING
40	A449907993	GROUP REAR GASKET

# STEAM & WATER

ID	CODE	DESCRIPTION
1	A229907877	COMPLETE TAP
2	A229907876	COMPLETE ROD
3	A839907912	HANDLE
4	A299908563	CHROMED CAP WITH "R" LOGO
5	A449904331	TEFLON GASKET
6	A229904333	SPRING SUPPORT
7	A209904332	SPRING
8	A449904334	OR GASKET
9	A219904406	SPHERICAL FITTING
10	C200001794	CHROMED NUT
11	C400002022	OR GASKET 6 x 1.2
12	R019907956	STEAM WAND
13	C200002839	STEAM NOZZLE
14	R019907957	HOT WATER WAND
15	R299905217	HOT WATER DISPENSER
16	A299908564	CHROMED CAP
17	A639905074	HANDLING CLIP
18	A299908561	COMPLETE STEAM WAND
19	A229908562	COMPLETE HOT WATER WAND





## Rocket Espresso

Via Curiel 13  
20060 Liscate  
Milan, Italy

Web: [www.rocket-espresso.com](http://www.rocket-espresso.com)

Social:   