

Solis of Switzerland

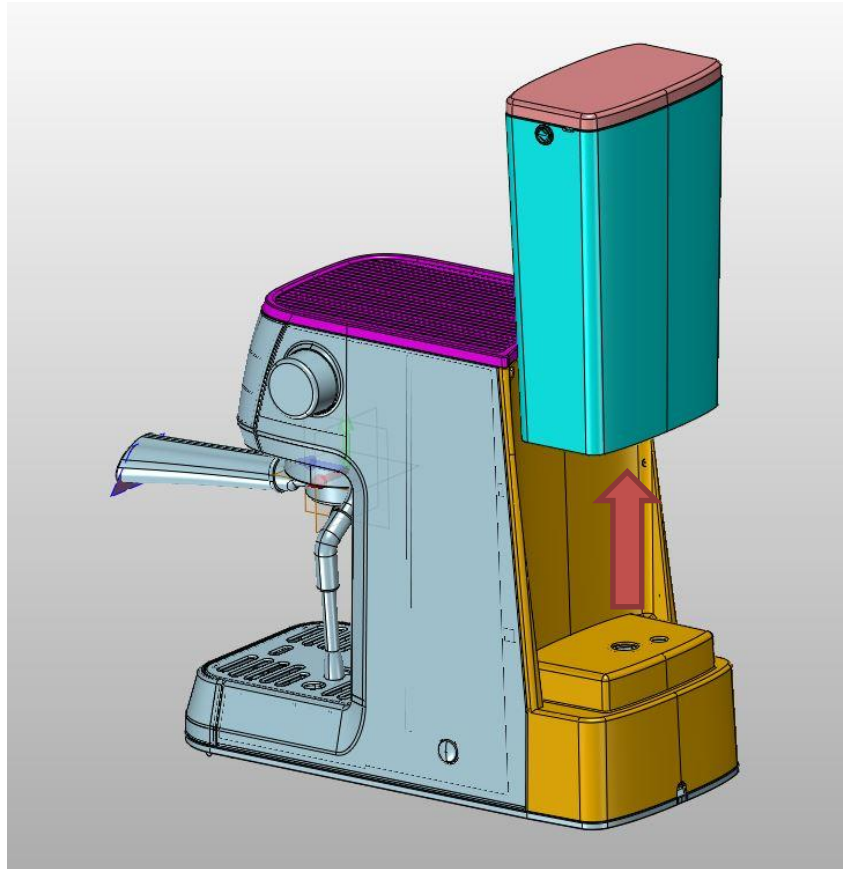
**Brass steam
valve replacement**



SINCE 1908

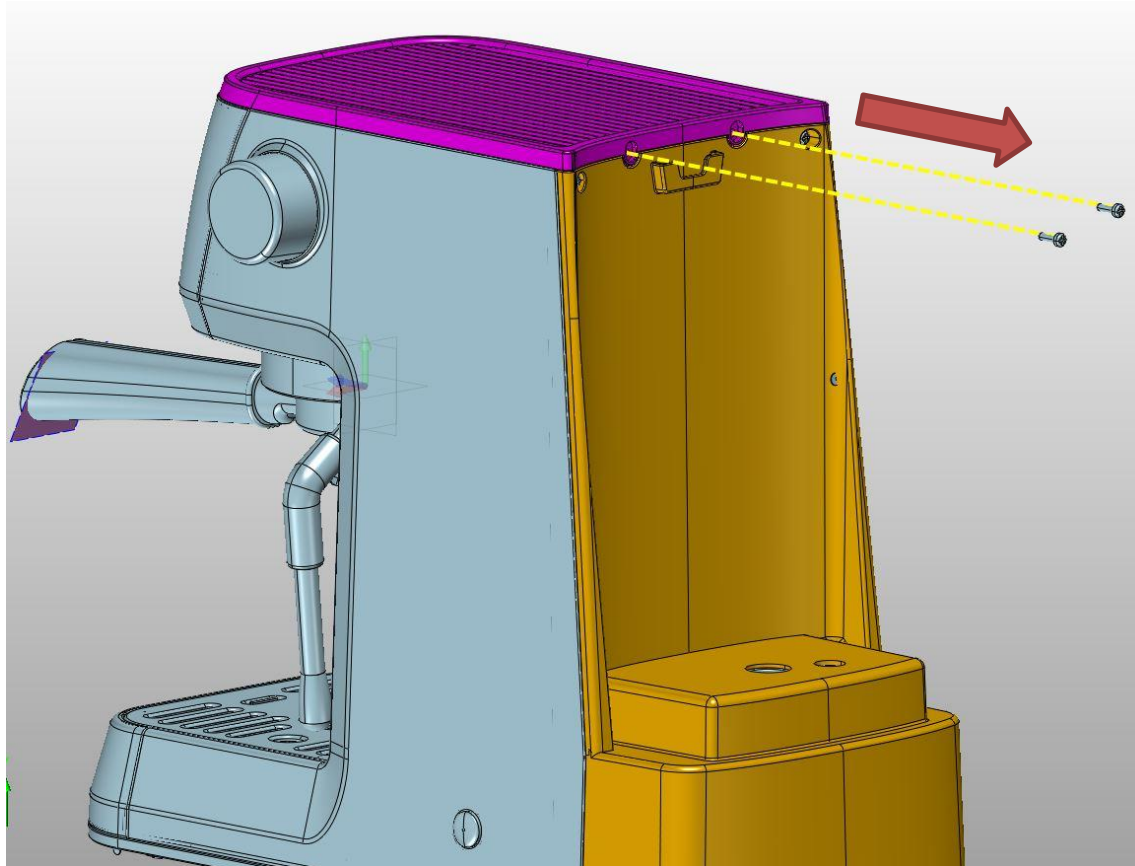
Solis

Solis of Switzerland



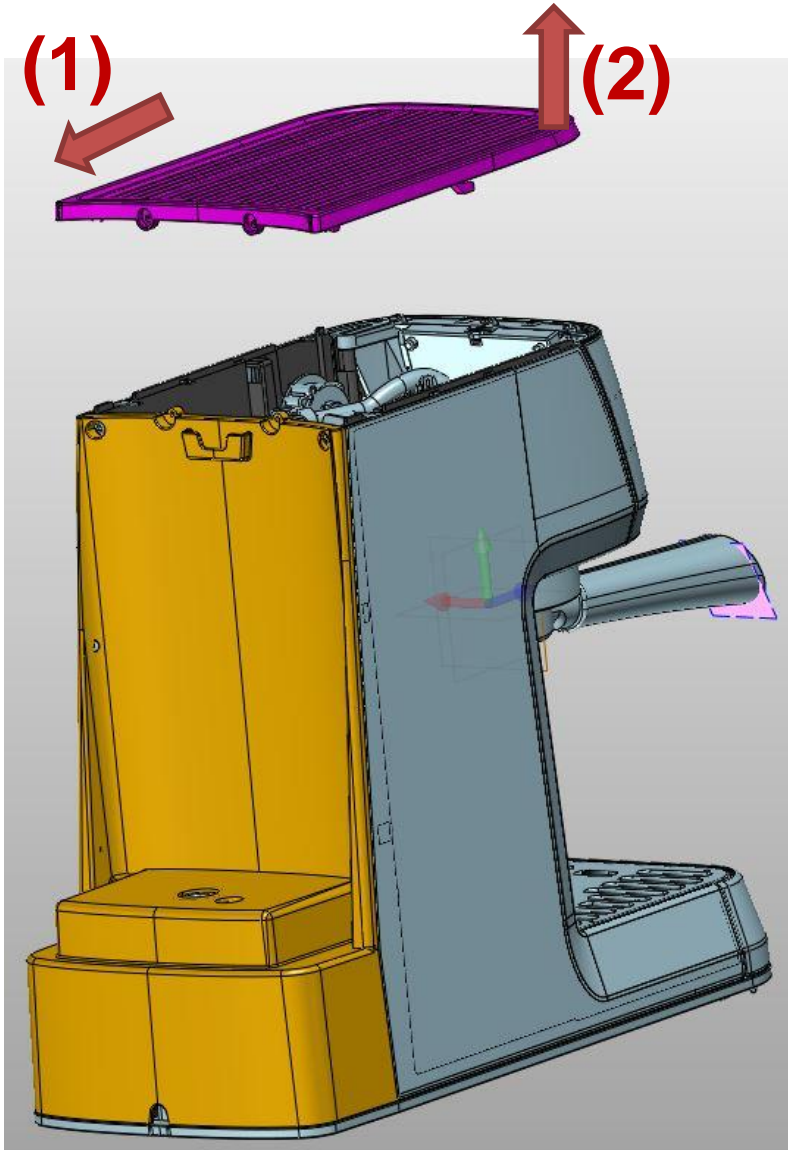
**Remove the water tank,
pulling it up**

Solis of Switzerland

The Solis logo is written in a white, cursive script font on a red rectangular background.

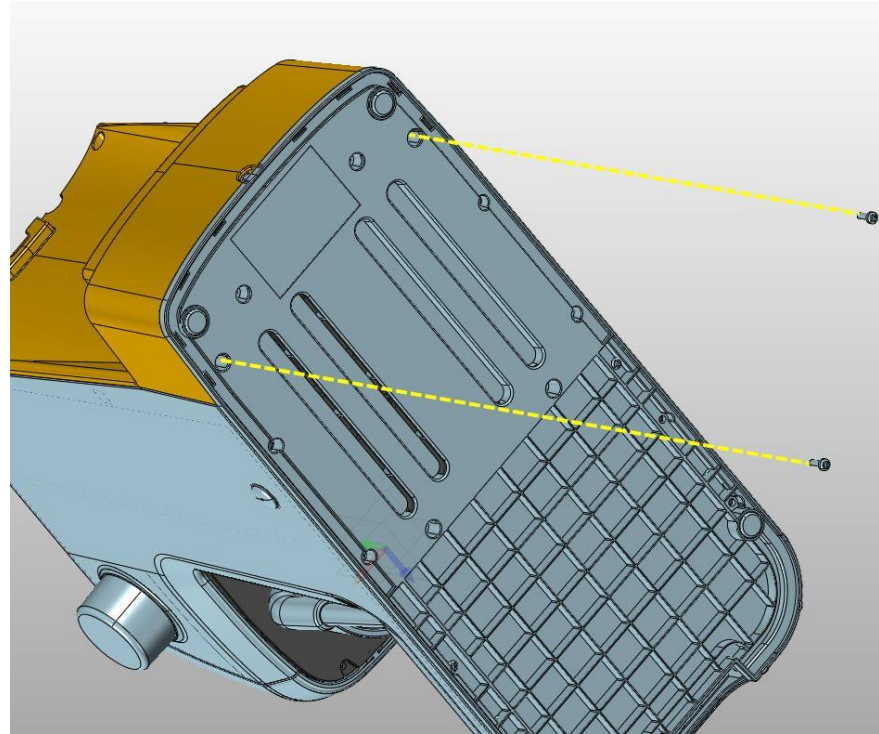
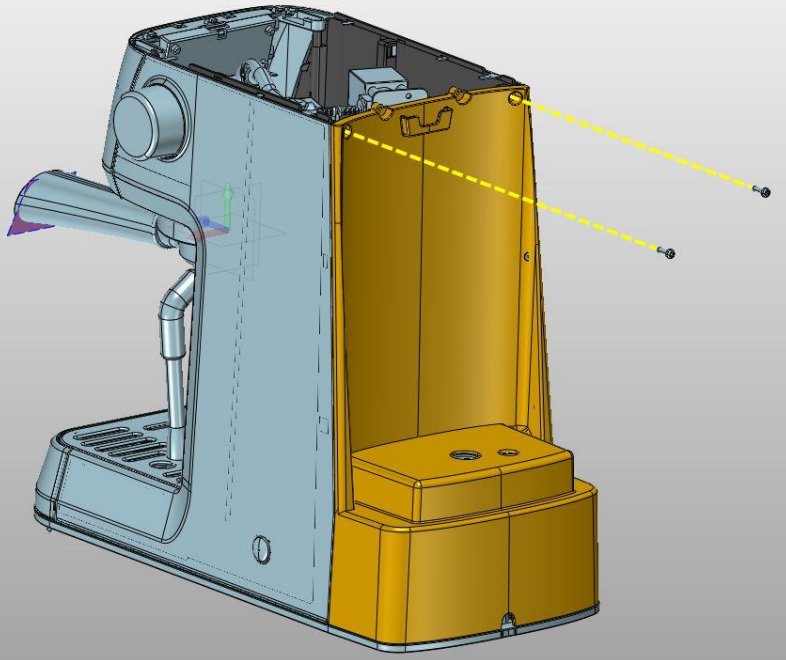
Unscrew screws of the top cover

Solis of Switzerland

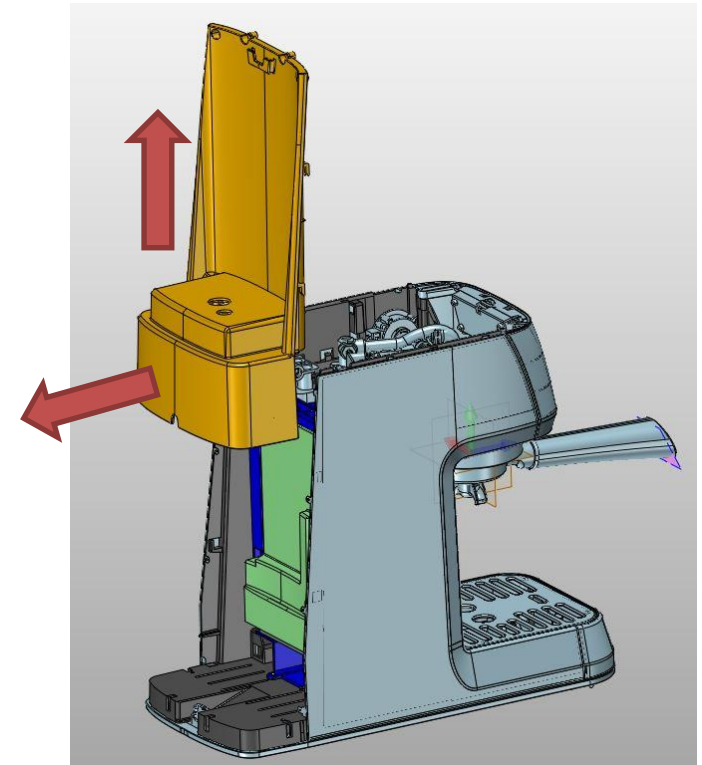


**Remove the top cover,
dragging it toward the backside
(1) and then pull it up (2)**

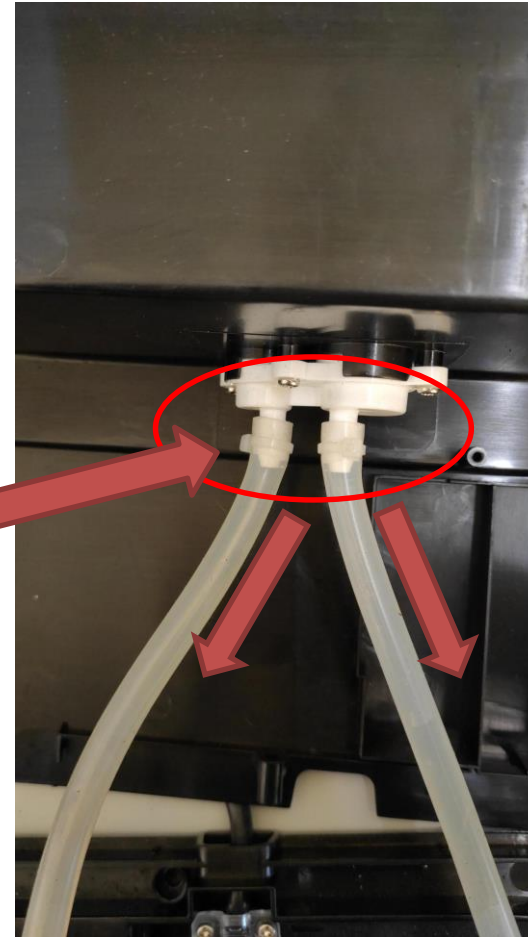
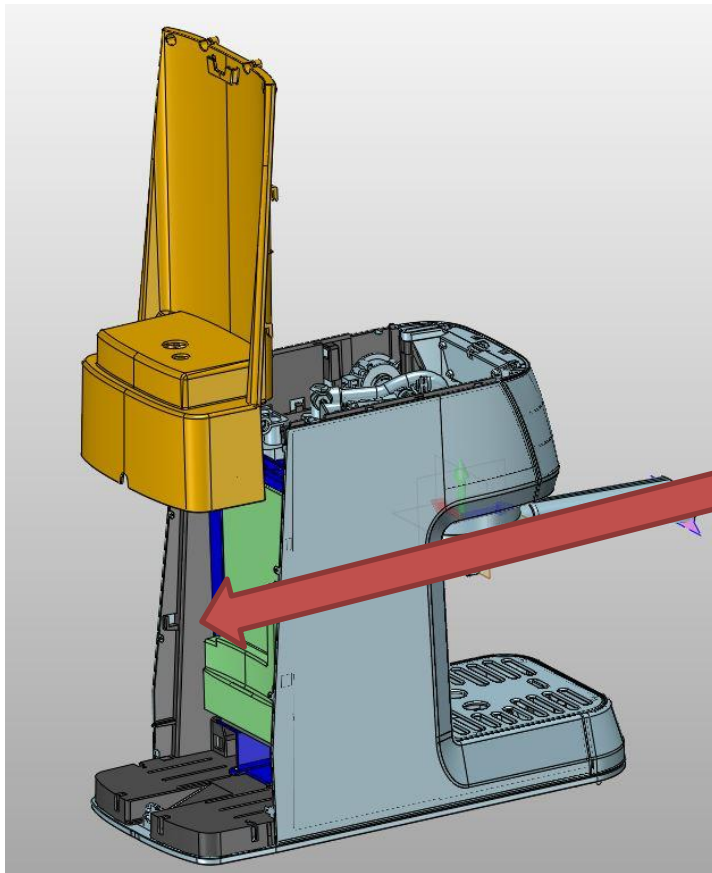
Solis of Switzerland

The Solis logo is written in a white, cursive script font on a red rectangular background.

Unscrew upper and lower screws of the back cover, then remove it by pulling it up

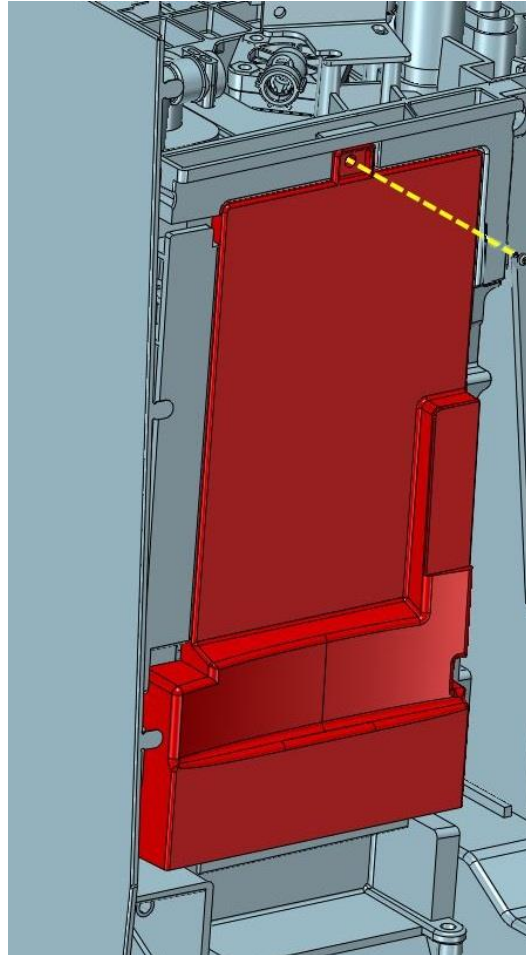


Solis of Switzerland



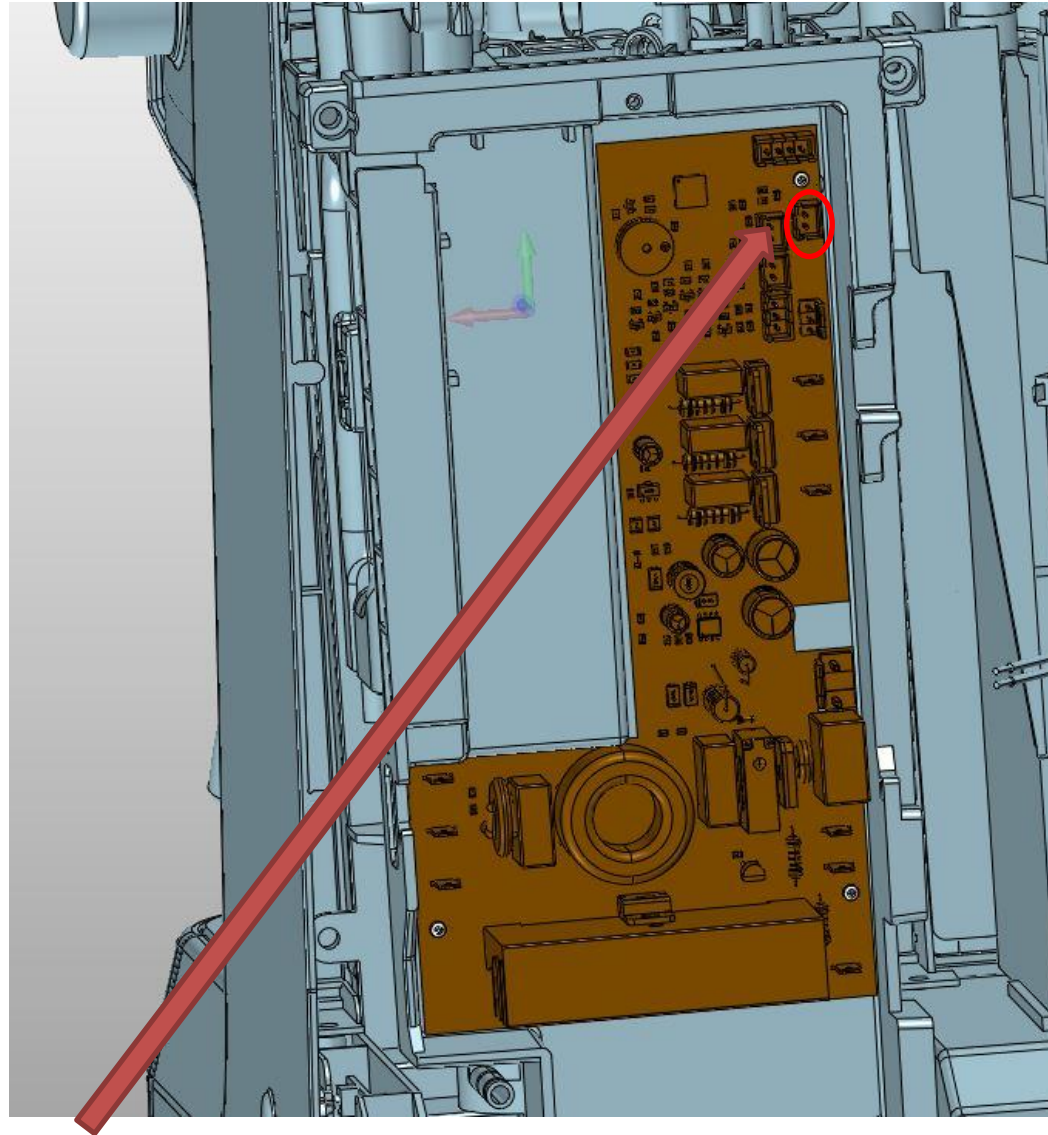
**Remove the bands from tubes (cut them),
then pull two tubes downwards**

Solis of Switzerland



Unscrew screw on the top and remove the cover of electronic board

Solis of Switzerland

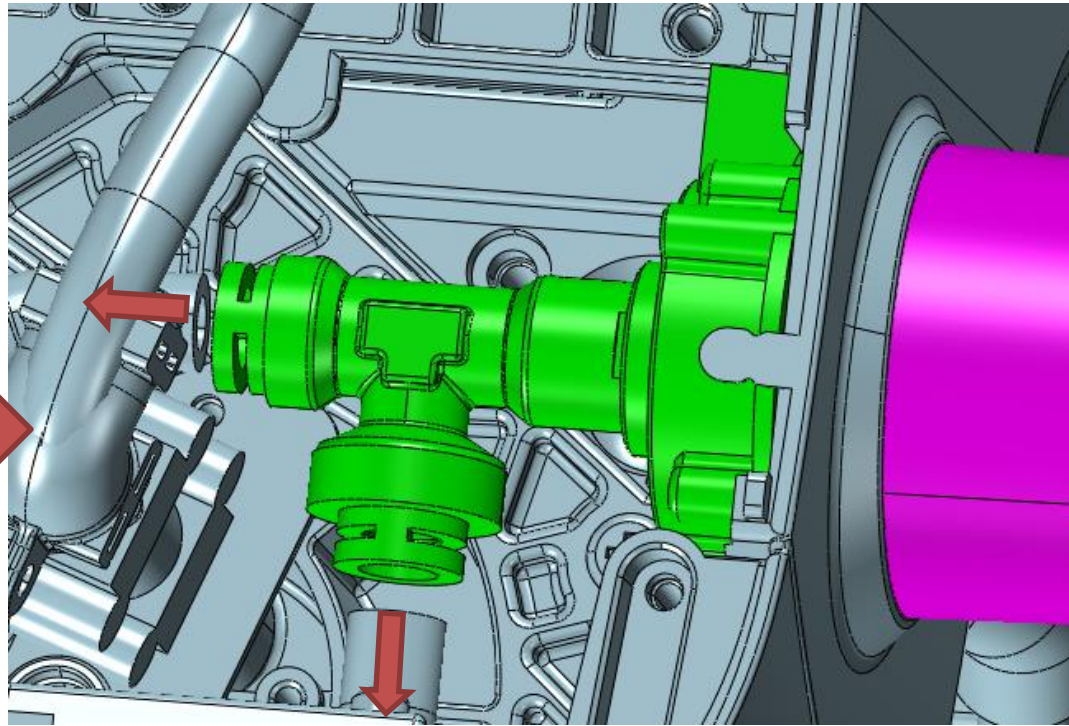
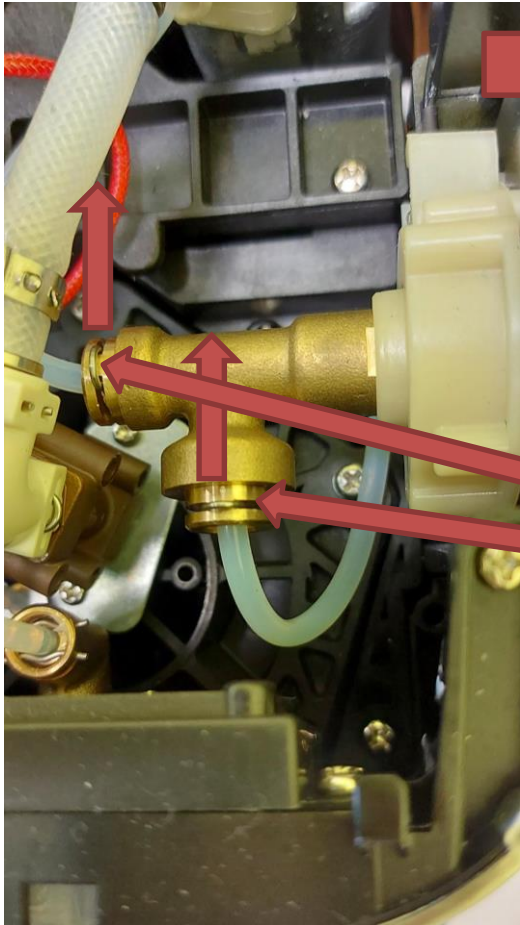


**Remove cable connector from PCB
(it's the red one)**

Solis of Switzerland

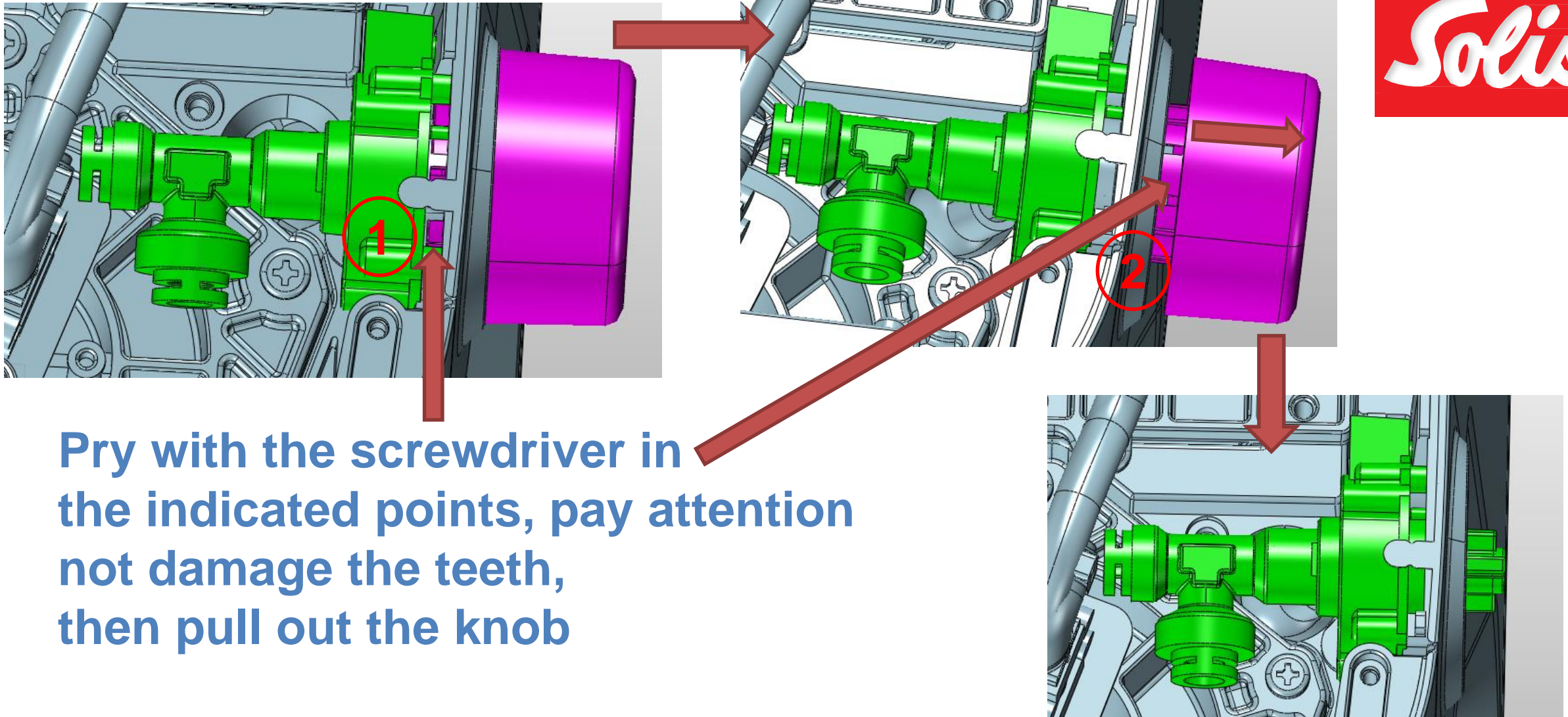
SINCE 1908

Solis

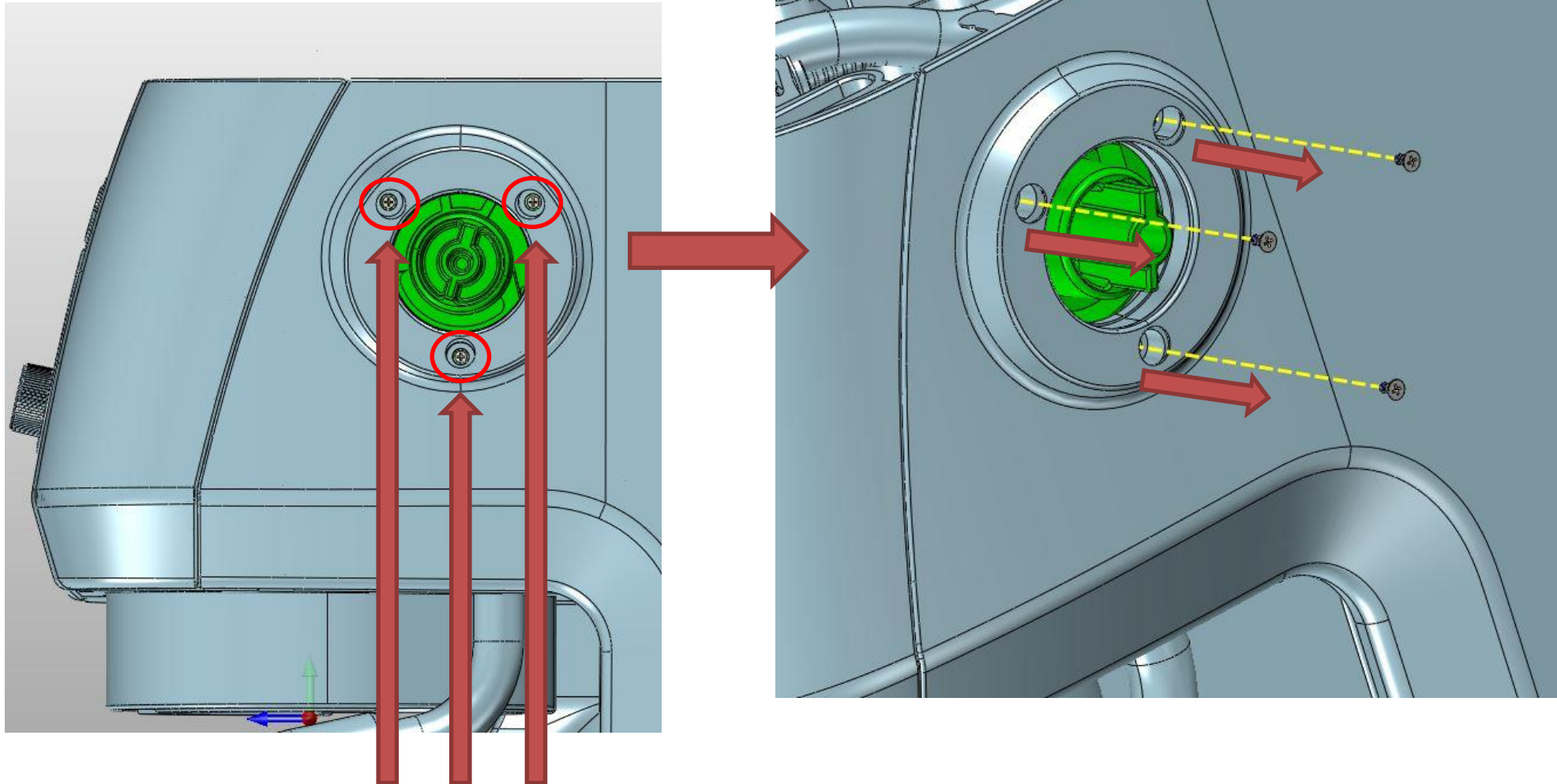


Remove clips, then pull out cables with quick coupling. Pay attention to the gaskets when removing the tubes because they will be used for the replacement steam valve

Solis of Switzerland

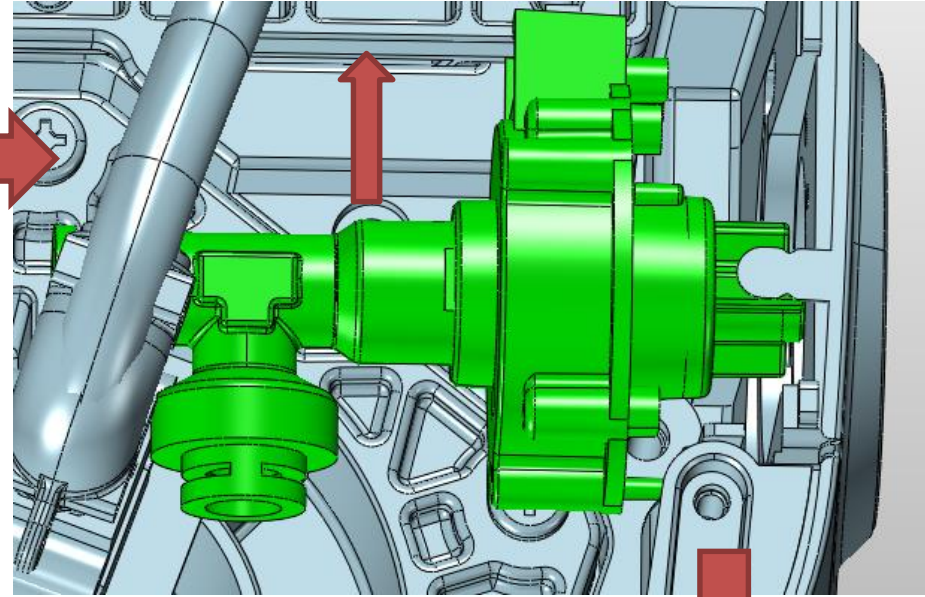
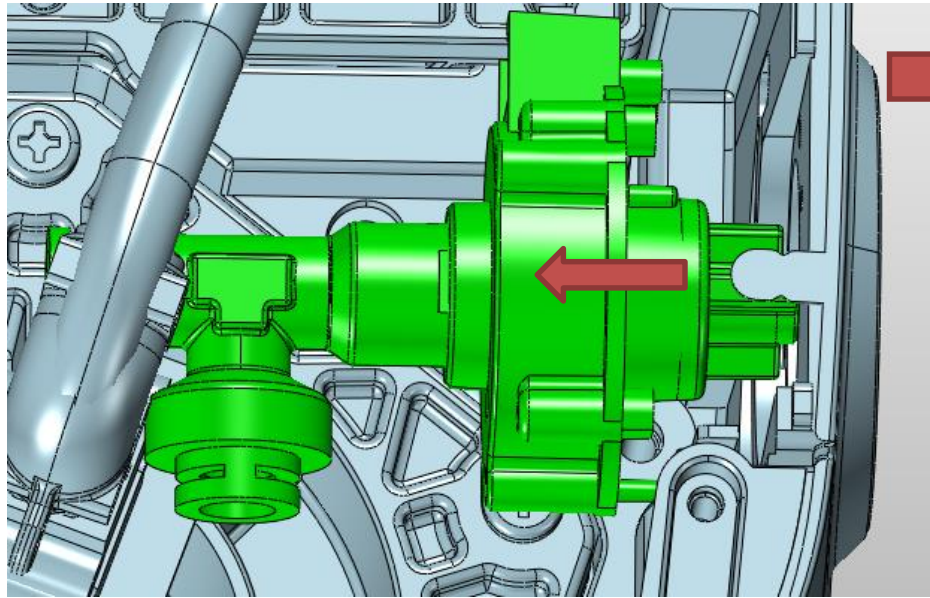
The Solis logo is written in a white, cursive script font on a red rectangular background.

Solis of Switzerland



Unscrew and remove 3 screws of the right panel of the machine

Solis of Switzerland



**Pull the steam valve to the left,
then pull it up**



Solis