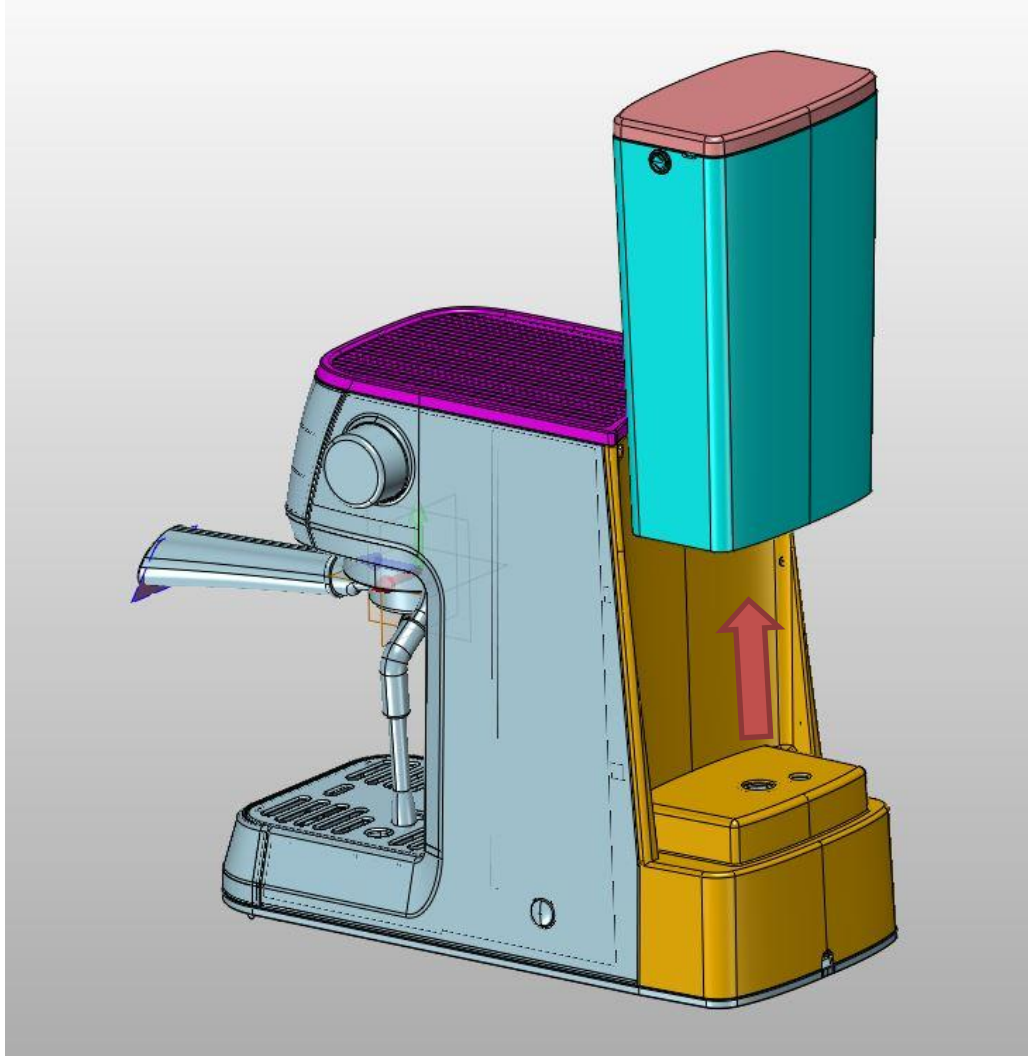


Solis of Switzerland

**Flow meter
repairing
or
replacement**

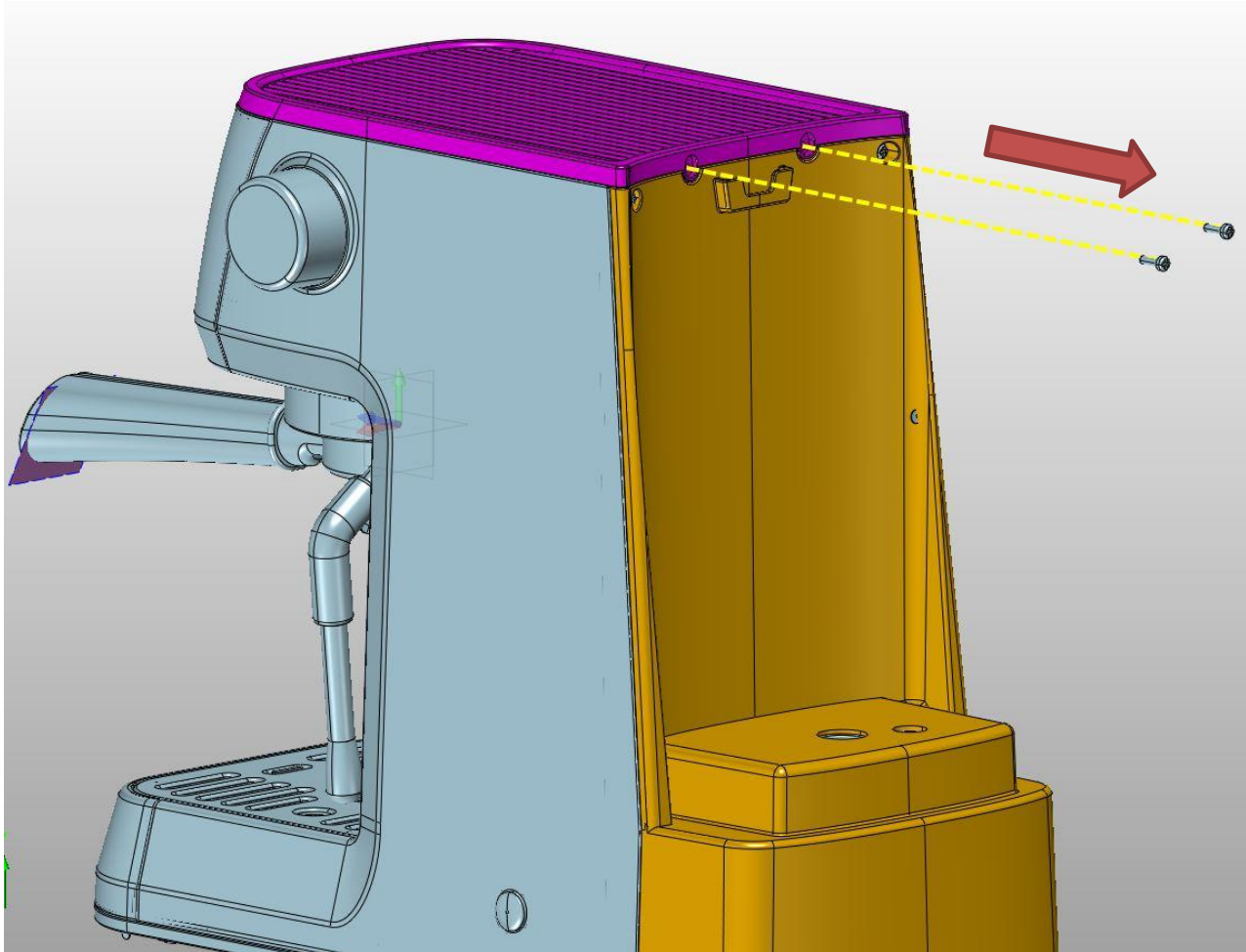


Solis of Switzerland



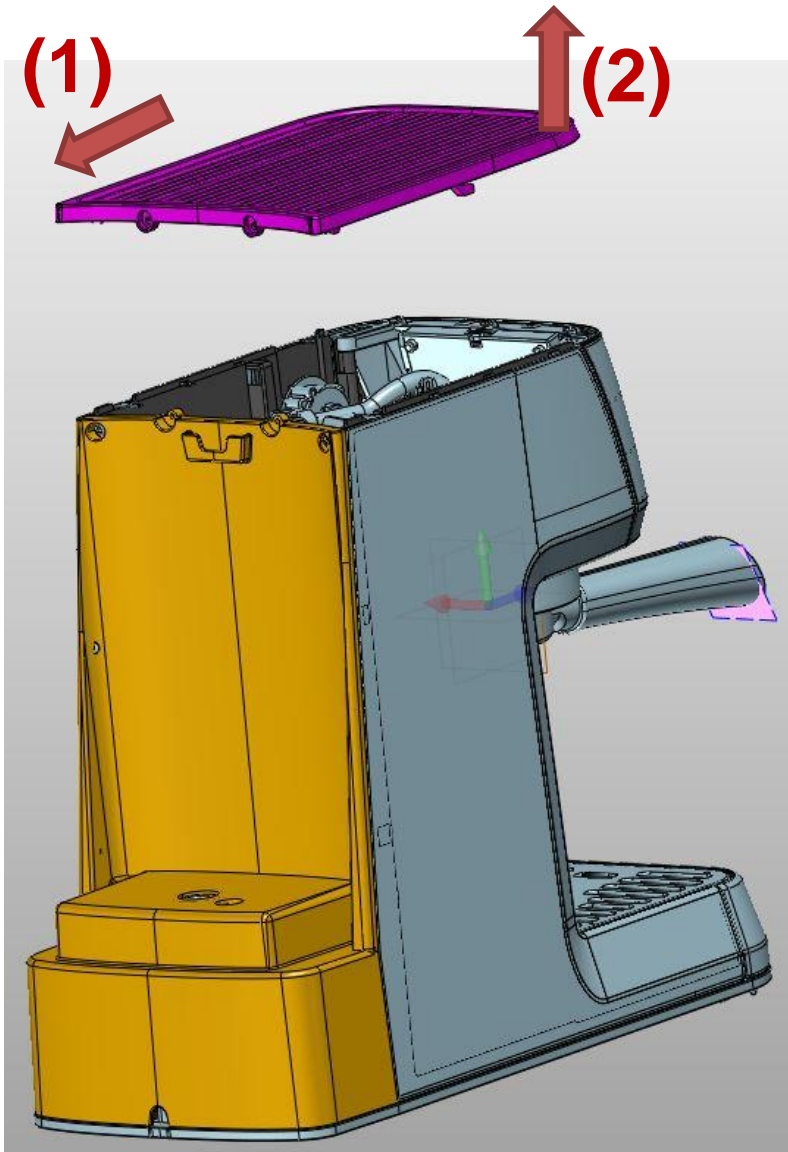
**Remove the water tank,
pulling it up**

Solis of Switzerland

The Solis logo is written in a white, cursive script font on a red rectangular background.

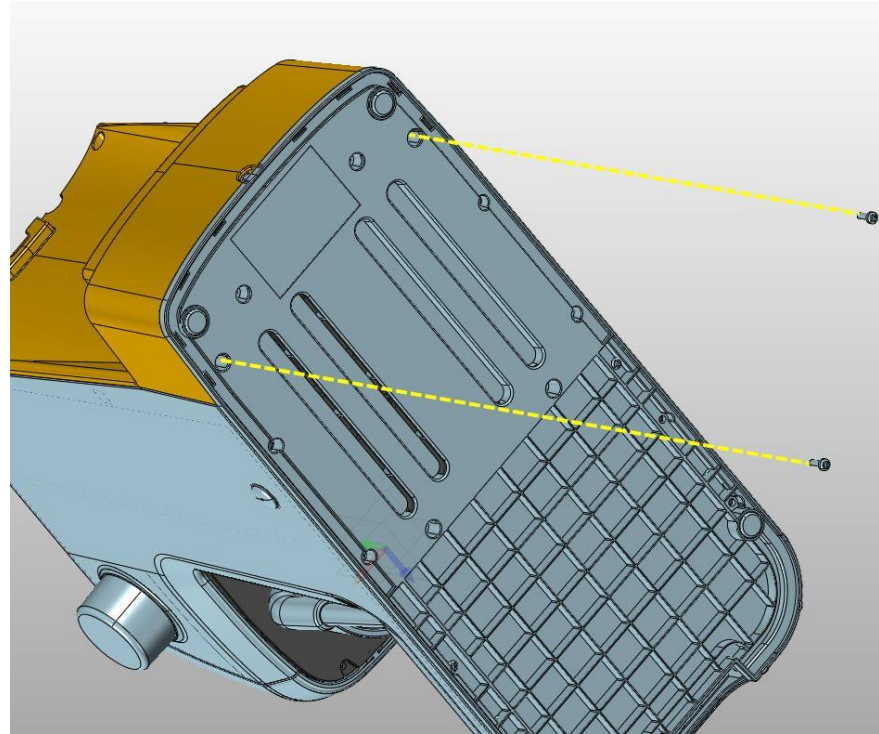
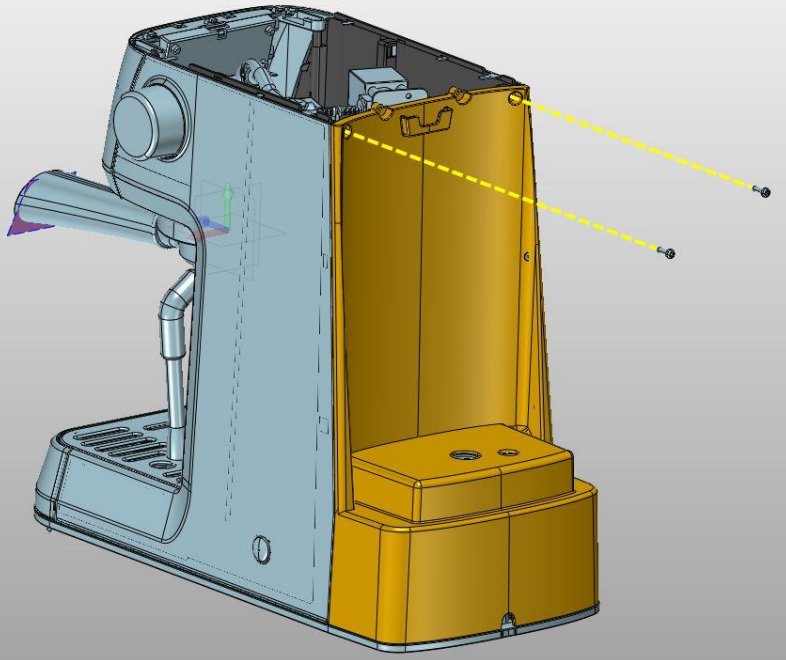
**Unscrew the screws
of the top cover**

Solis of Switzerland

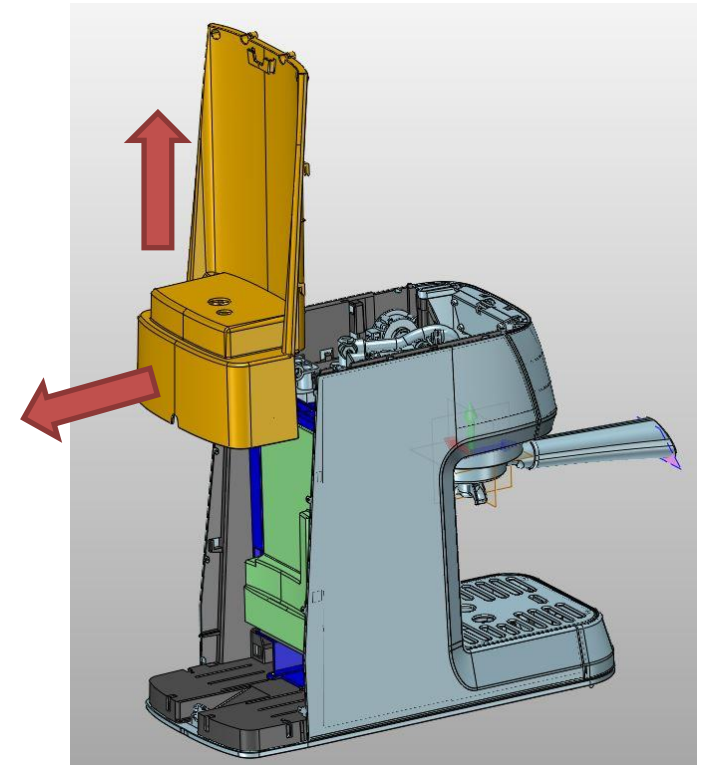


**Remove the top cover,
dragging it toward the backside
(1) and then pull it up (2)**

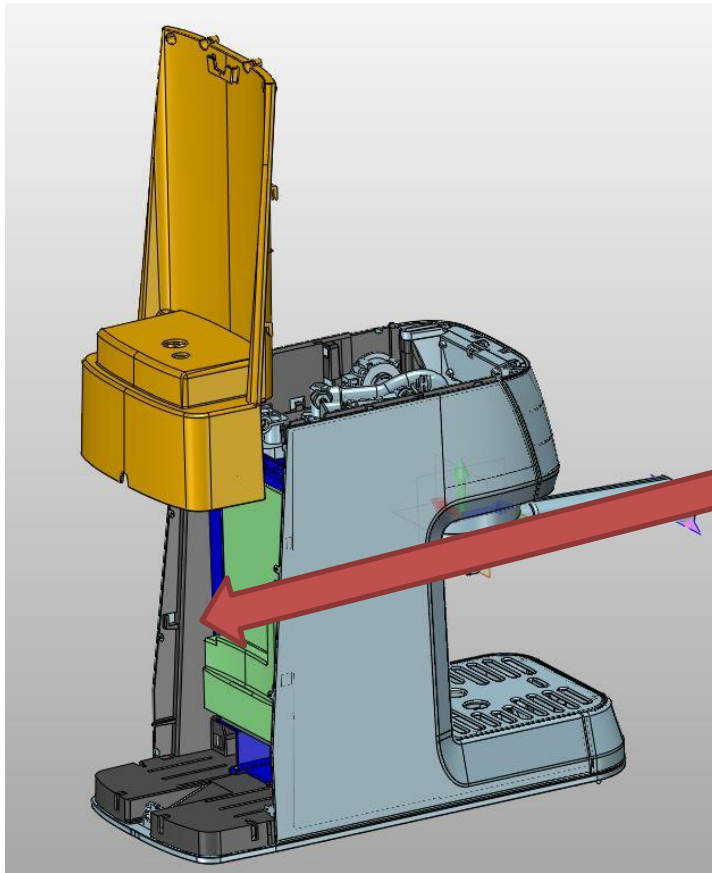
Solis of Switzerland

The Solis logo is written in a white, cursive script font on a red rectangular background.

Unscrew upper and lower screws of the back cover, then remove it by pulling it up

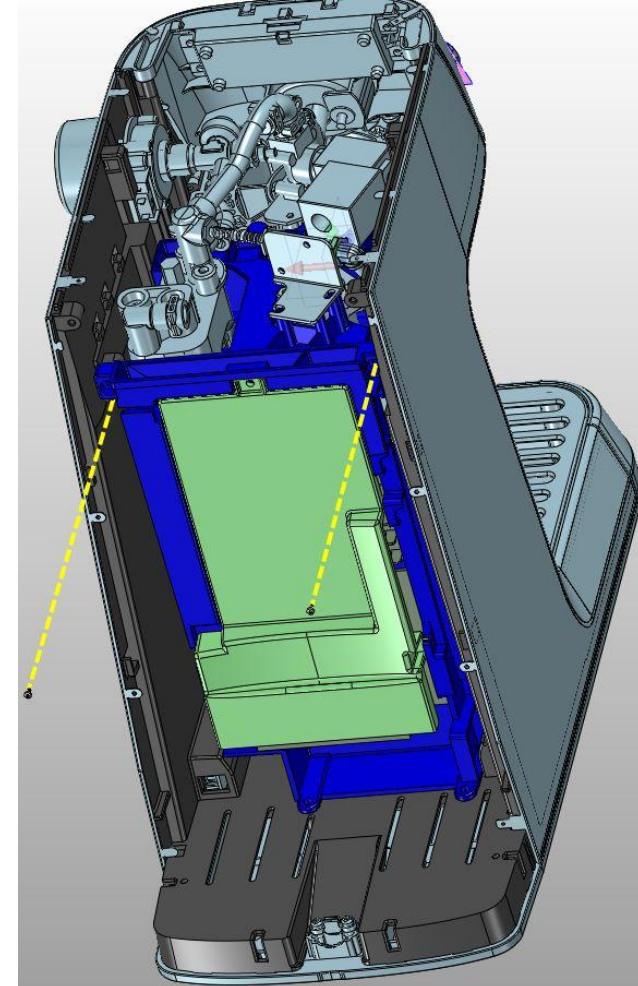
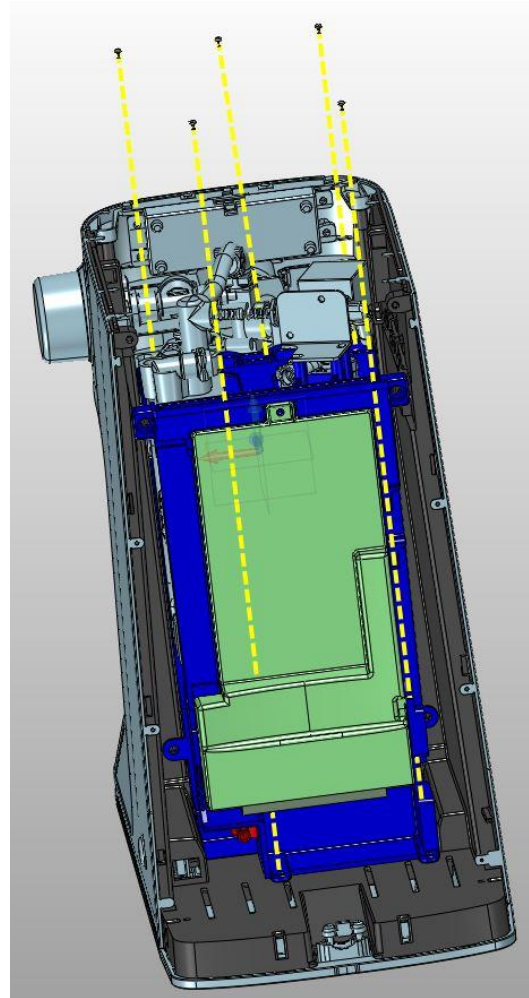
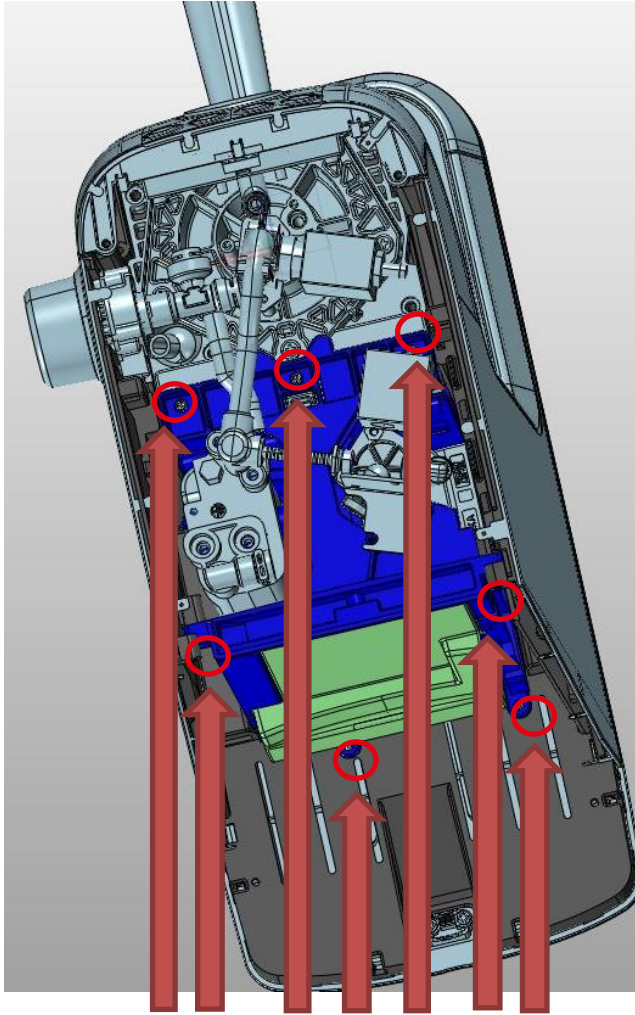


Solis of Switzerland



**Remove the bands from tubes (cut them),
then pull two tubes downwards**

Solis of Switzerland



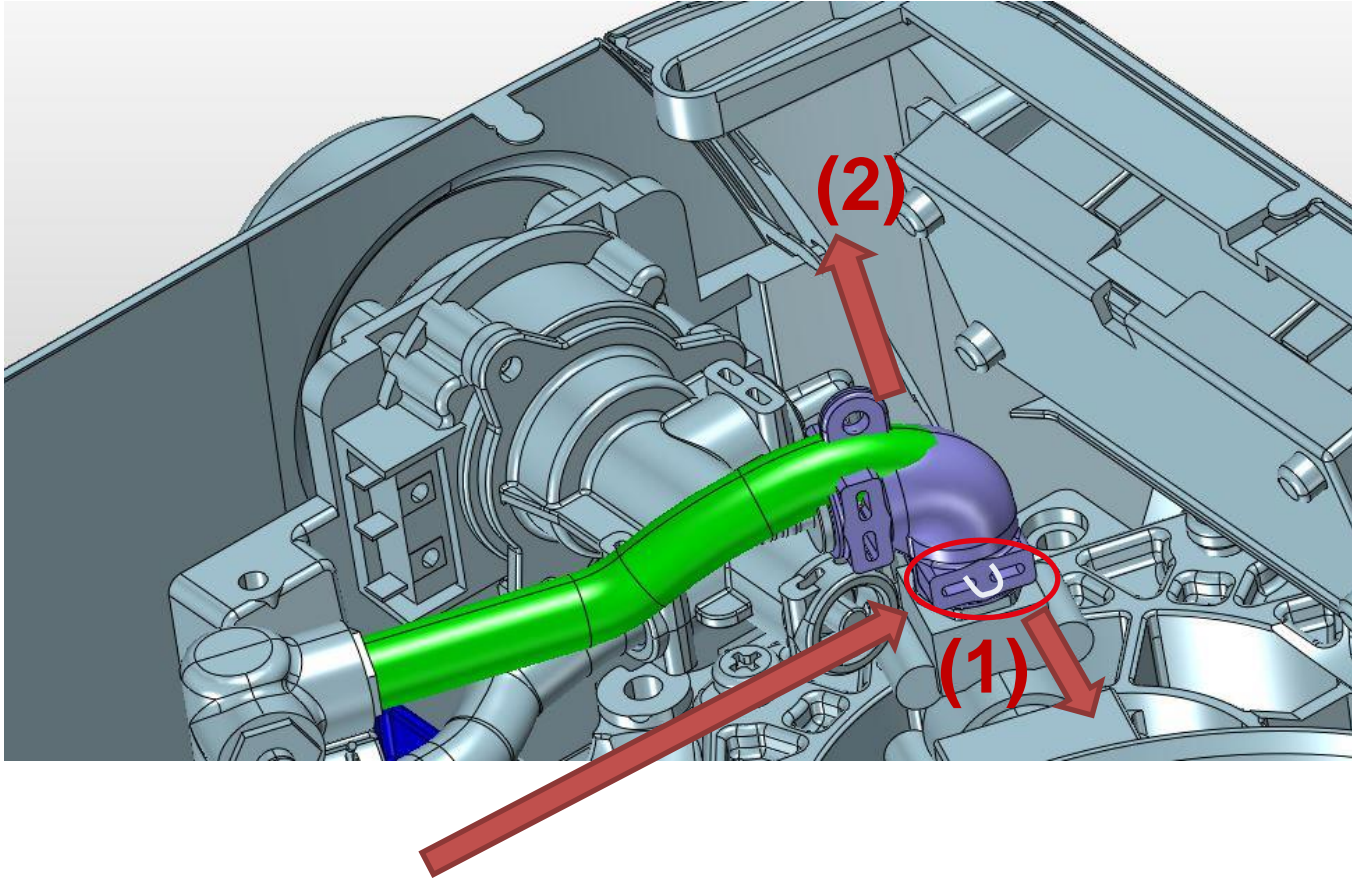
Unscrew upper and lower screws of the module then remove them

Solis

Solis of Switzerland

SINCE 1908

Solis

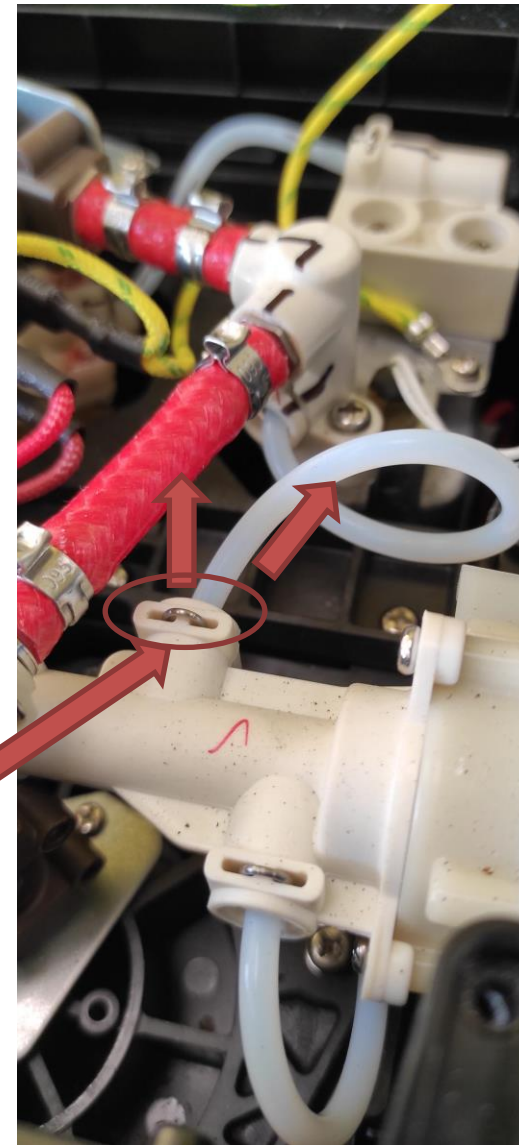


Remove the clip and pull up the pipe

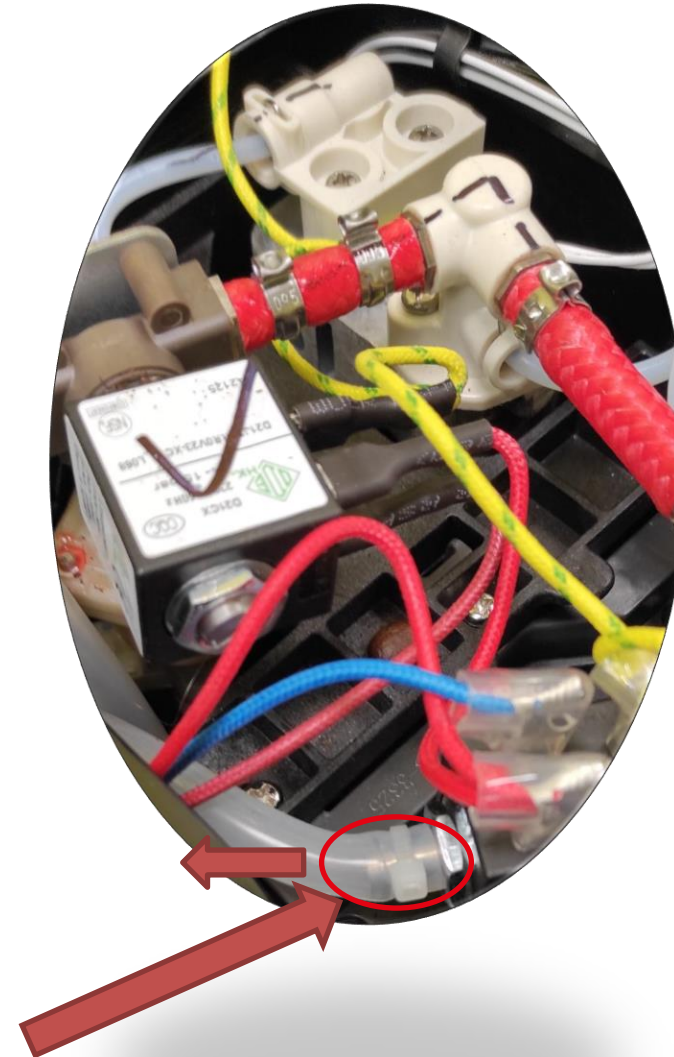
Solis of Switzerland



Remove the clip and pull out the tube



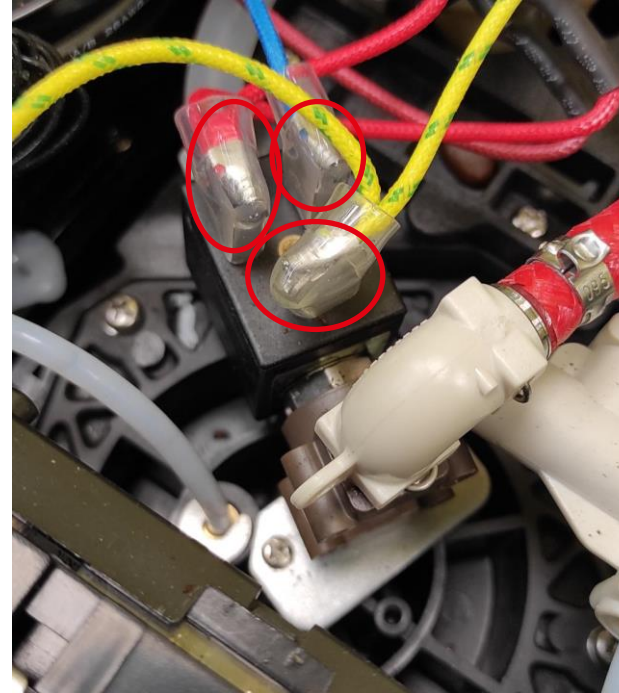
Solis of Switzerland



**Remove the band from tube (cut it),
then pull tube downwards**

Solis of Switzerland

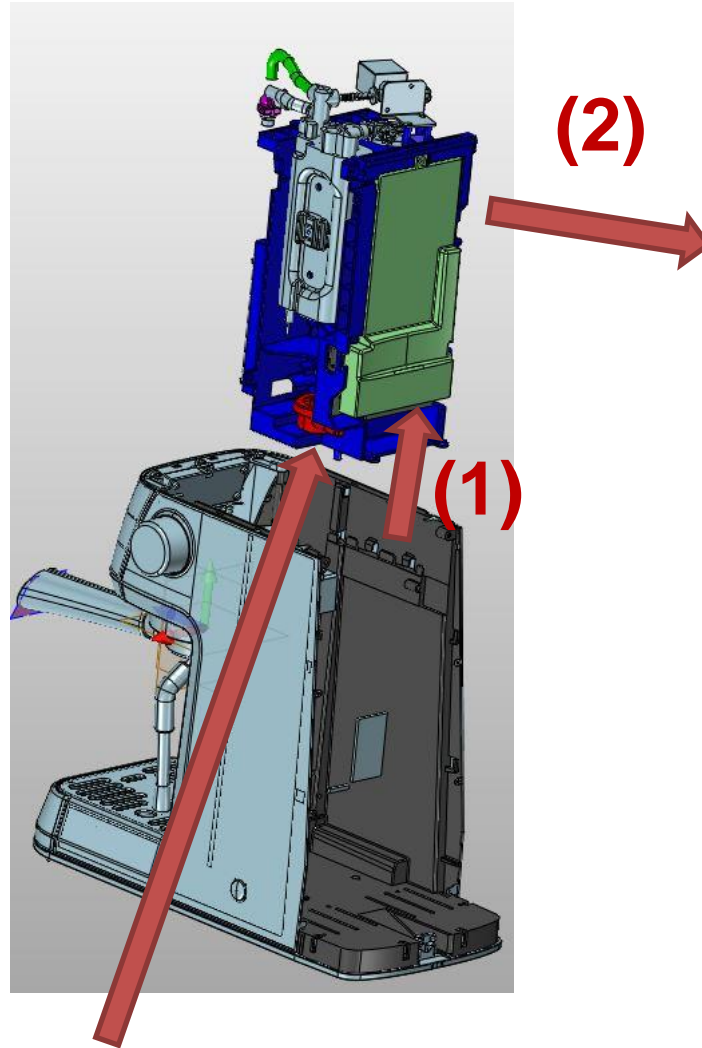
Remove the cables from 3-way valve (3 cables)



SINCE 1908

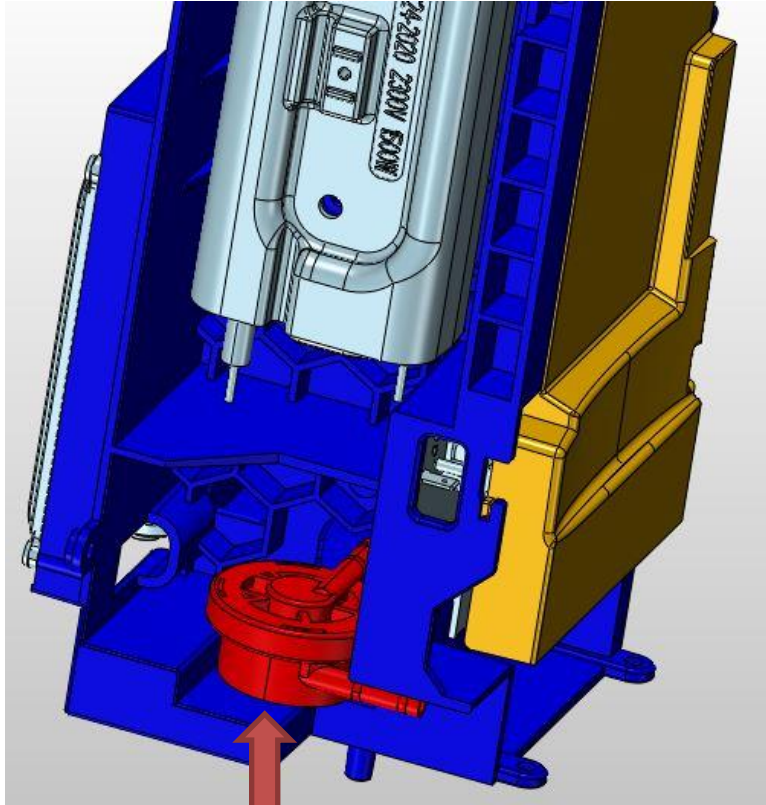
Solis

Solis of Switzerland

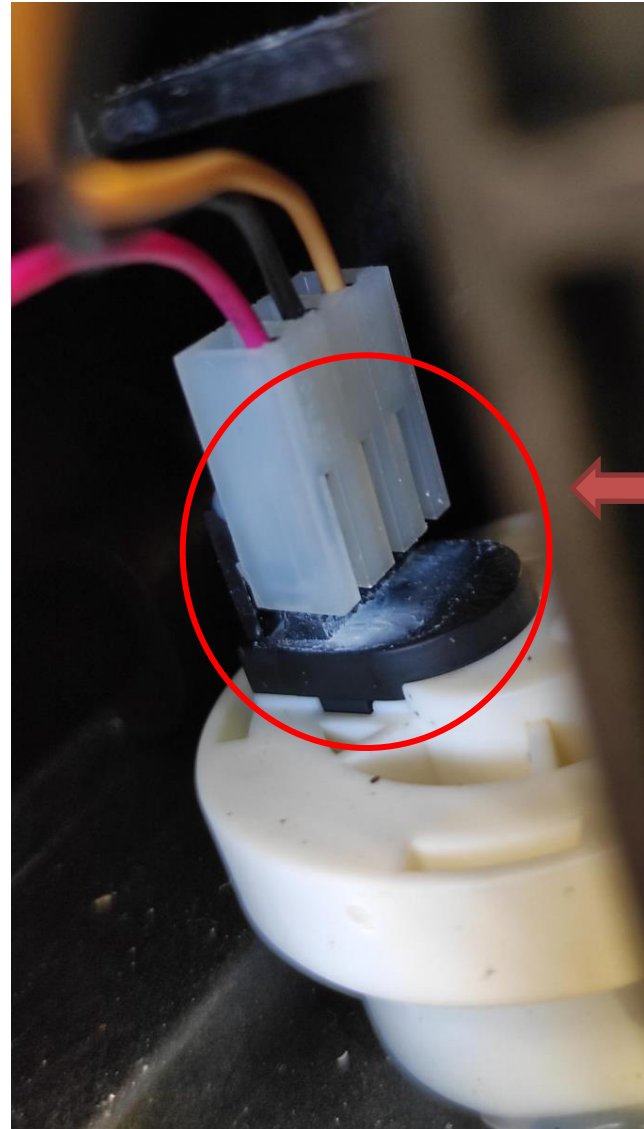


Remove the module pulling it up (1), then pull it back (2), the flow meter is placed at the bottom of the module

Solis of Switzerland

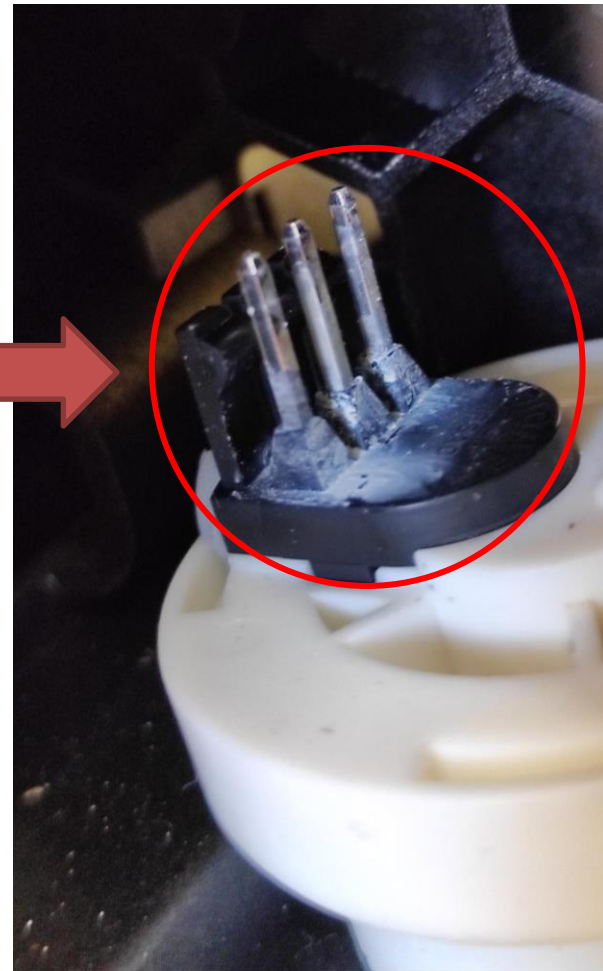
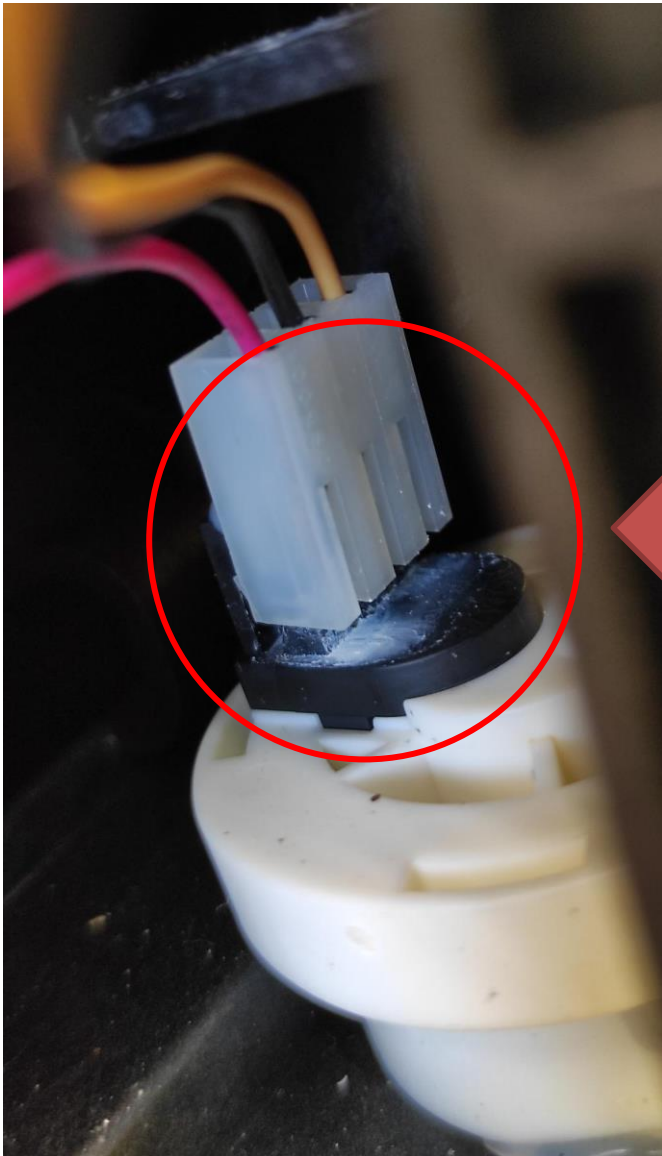


Flow meter



Check that the flow meter connectors are not oxidized (due to a water leak)

Solis of Switzerland

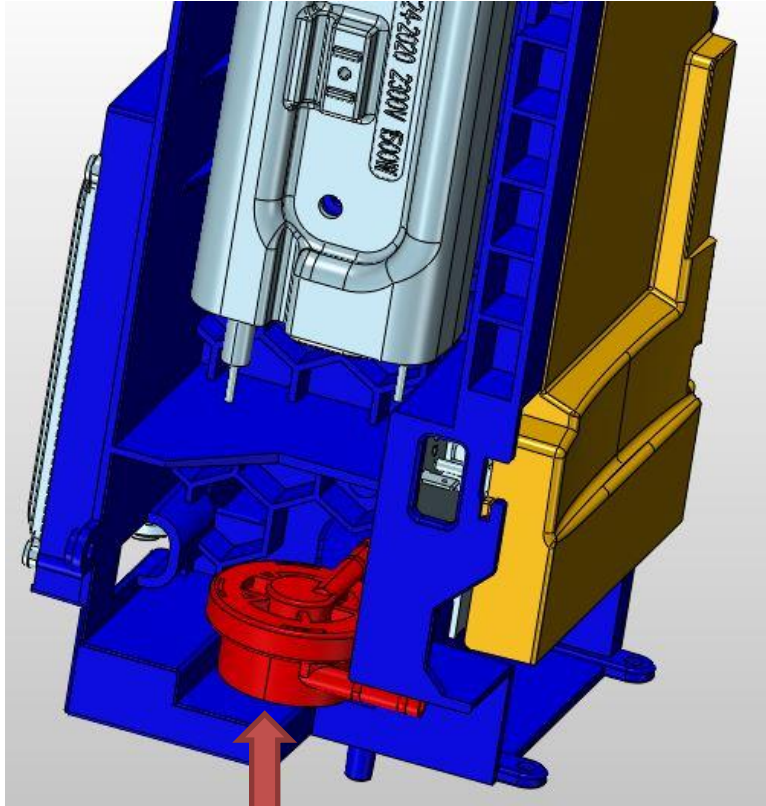


If the flow meter connectors are oxidized, clean them

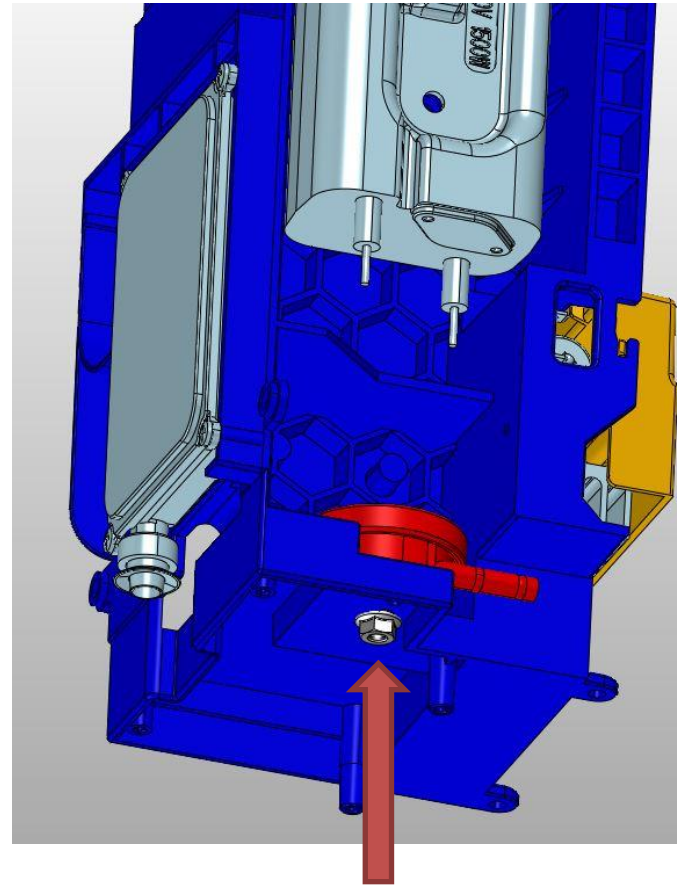


After cleaning the flow meter connectors, reassemble the machine and try to make a coffee 2 cup, check the duration of the pre-infusion (correct pre-infusion is 4 sec). If there is still a problem, replace the flow meter

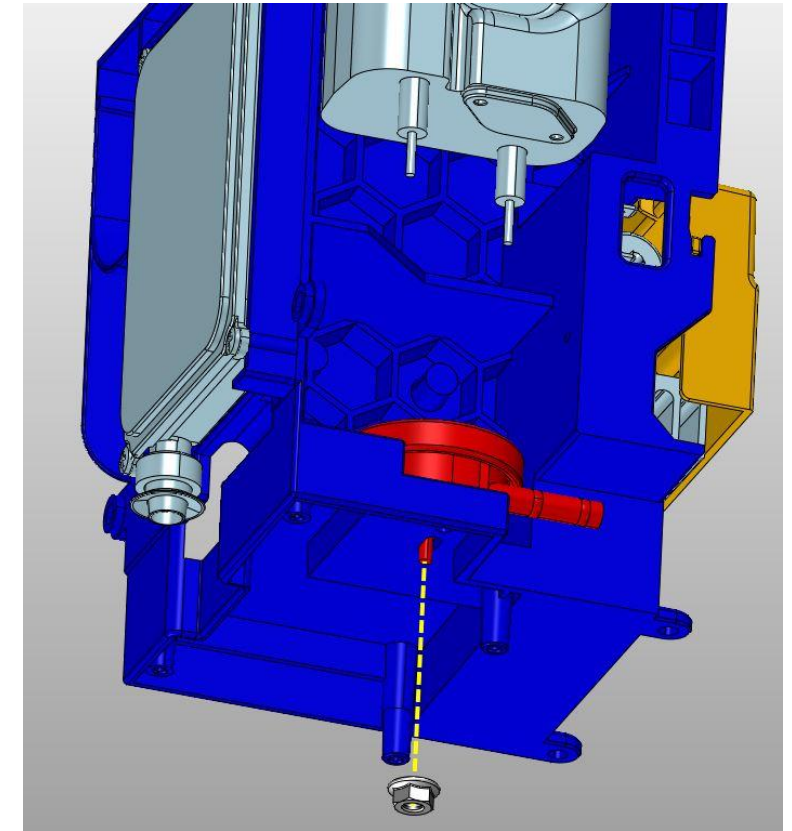
Solis of Switzerland



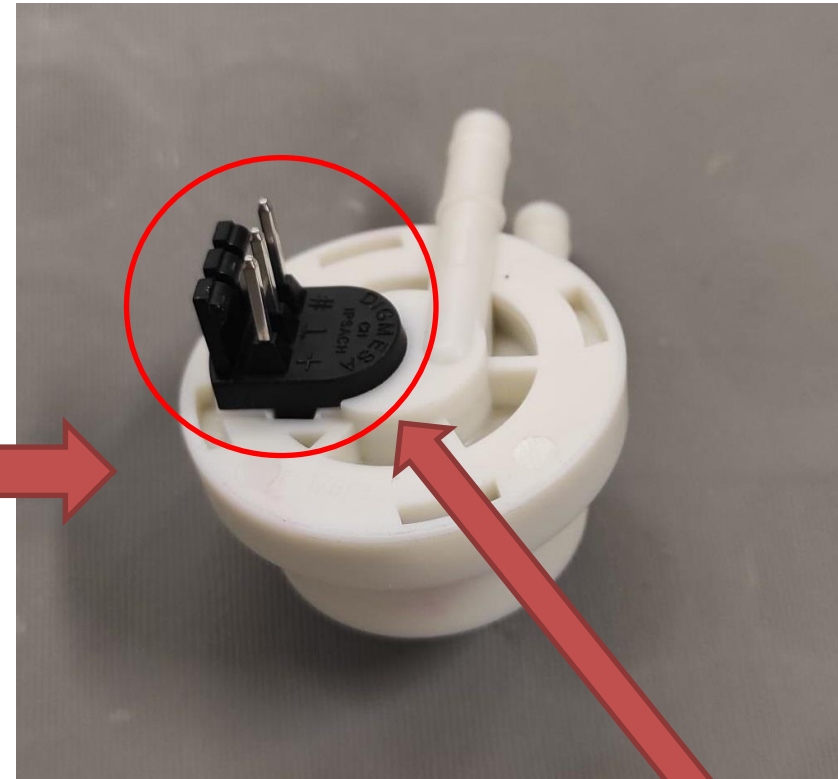
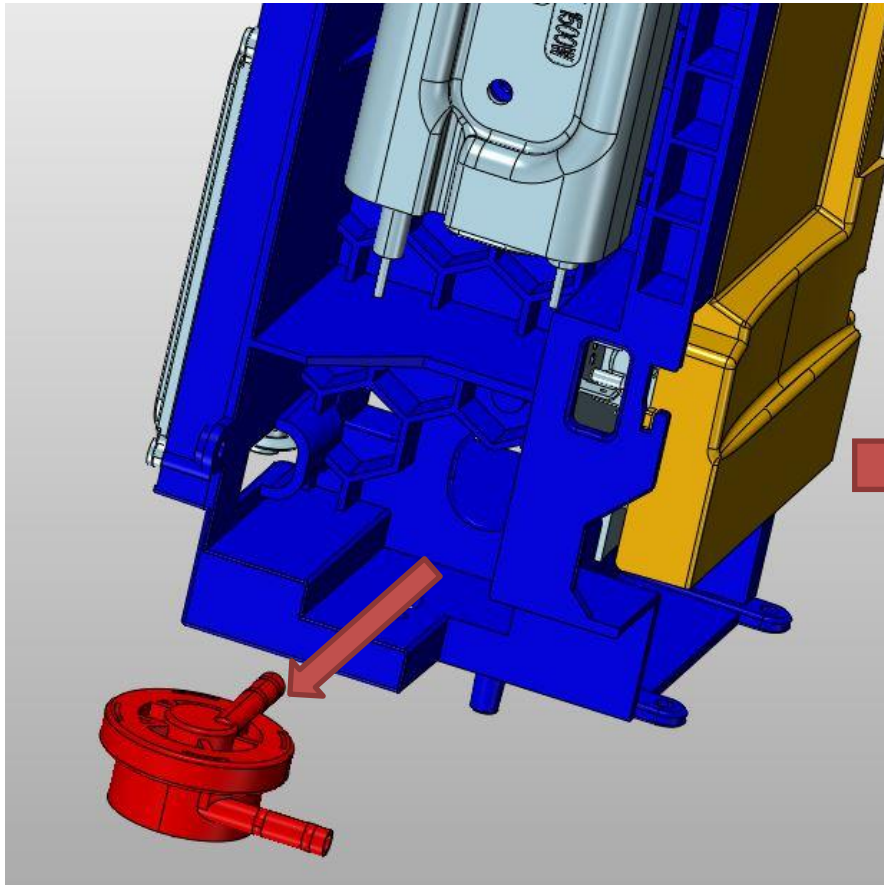
Flow meter



Unscrew and remove
the nut from flow meter



Solis of Switzerland



**Remove the flow meter from the module, then
remove the cable connector from flow meter**

Cable connector