

Solis of Switzerland

Steam wand repair



SINCE 1908

*Solis*



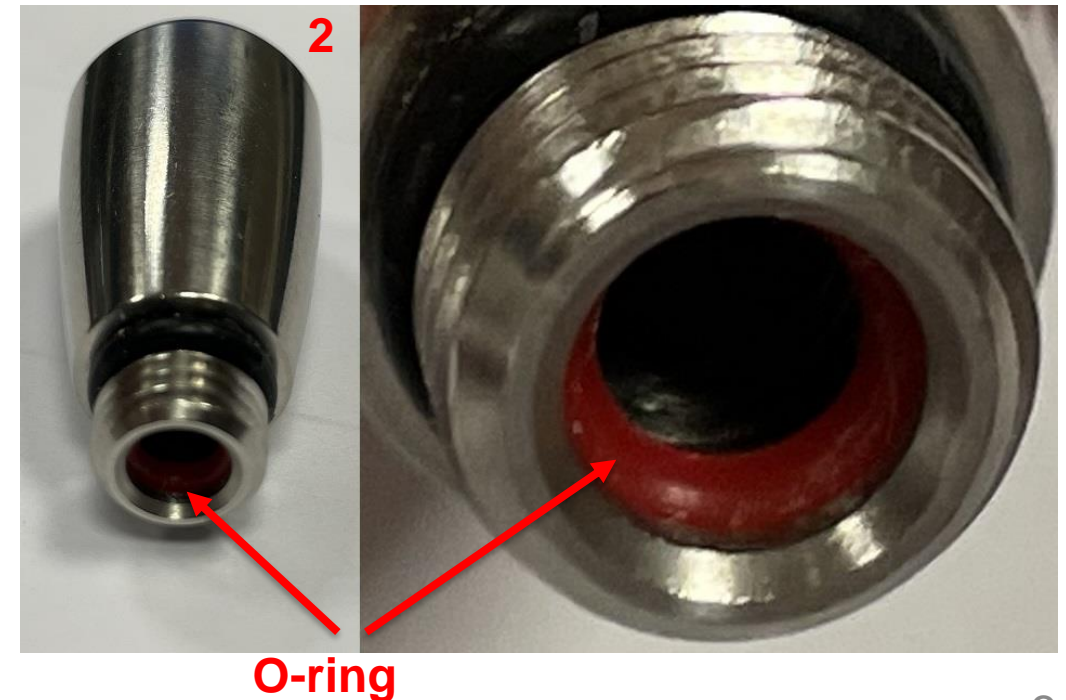
## **When proceed with this repair?**

**If there is water leakage from the steam wand, probably the steam valve needs to be replaced.**

**If the steam performances are poor and drops of water are visible from the brewing head, probably the inner steam tube has to be fixed as follow:**

## Solis of Switzerland

Unscrew the nozzle of the steam wand (1). Check if the O-ring is inside the nozzle and verify that it is not damaged (2). If the O-ring is missing or damaged put it on/replace it.

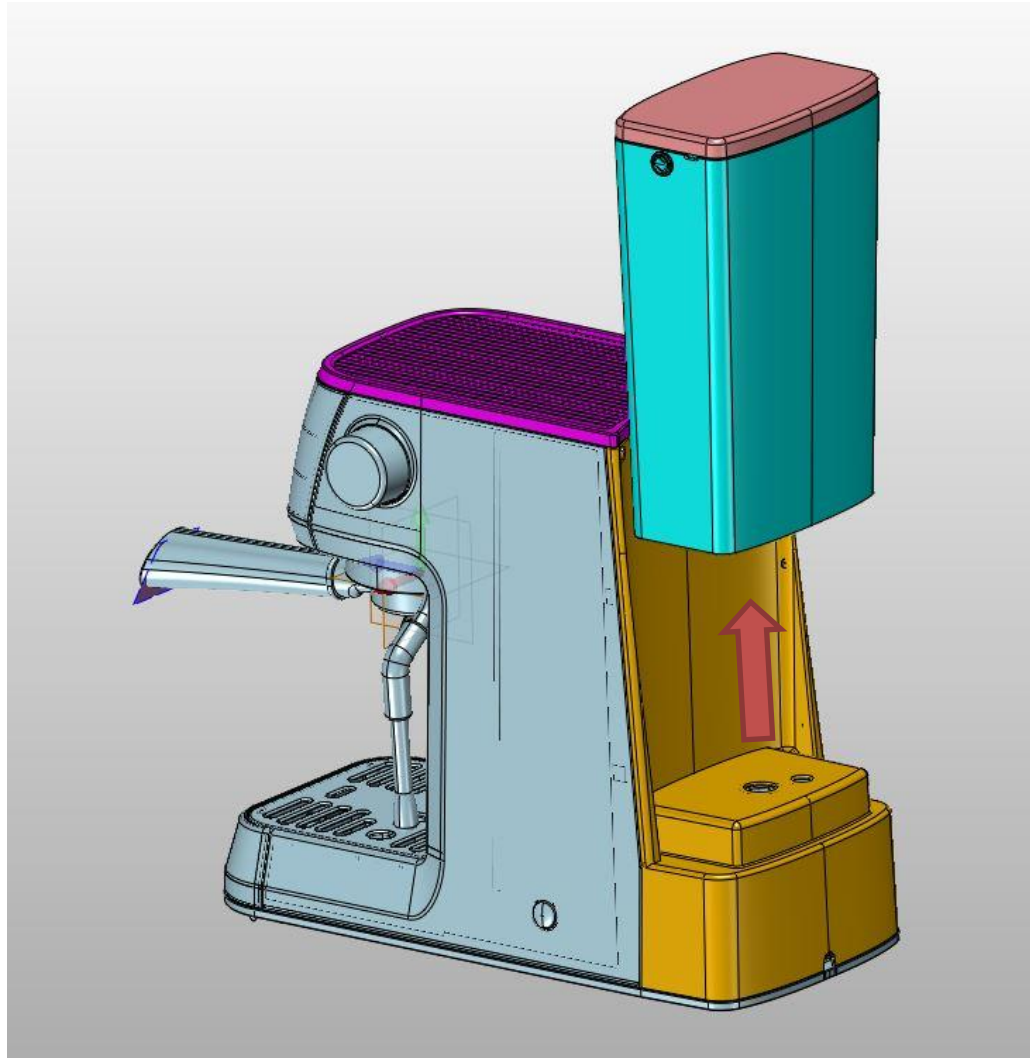


## Solis of Switzerland

**Check if the inner steam tube is in the right position or not. If it's in position, screw the nozzle and test again the machine (follow the procedure on user manual to make steam). Otherwise proceed with next step.**

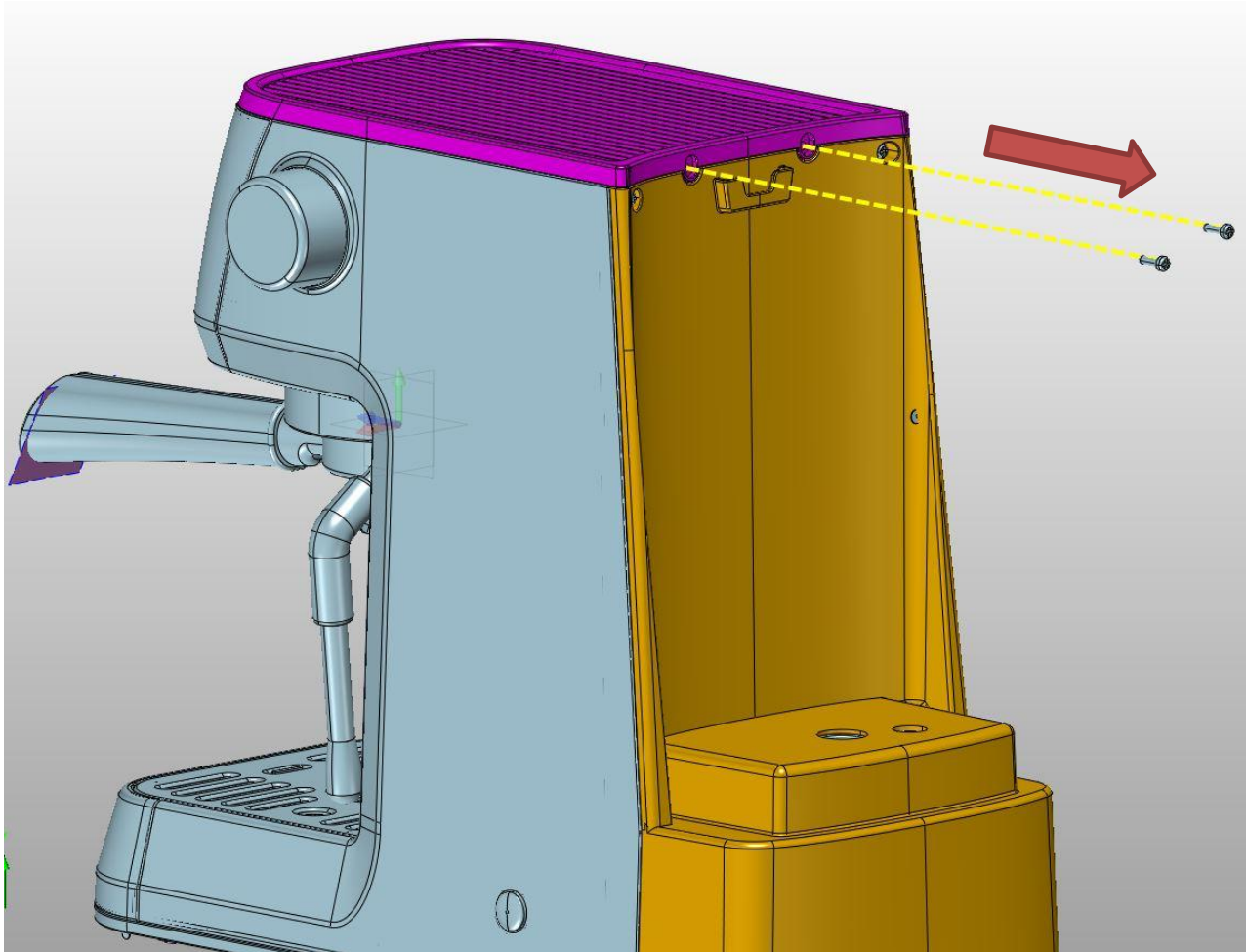


# Solis of Switzerland



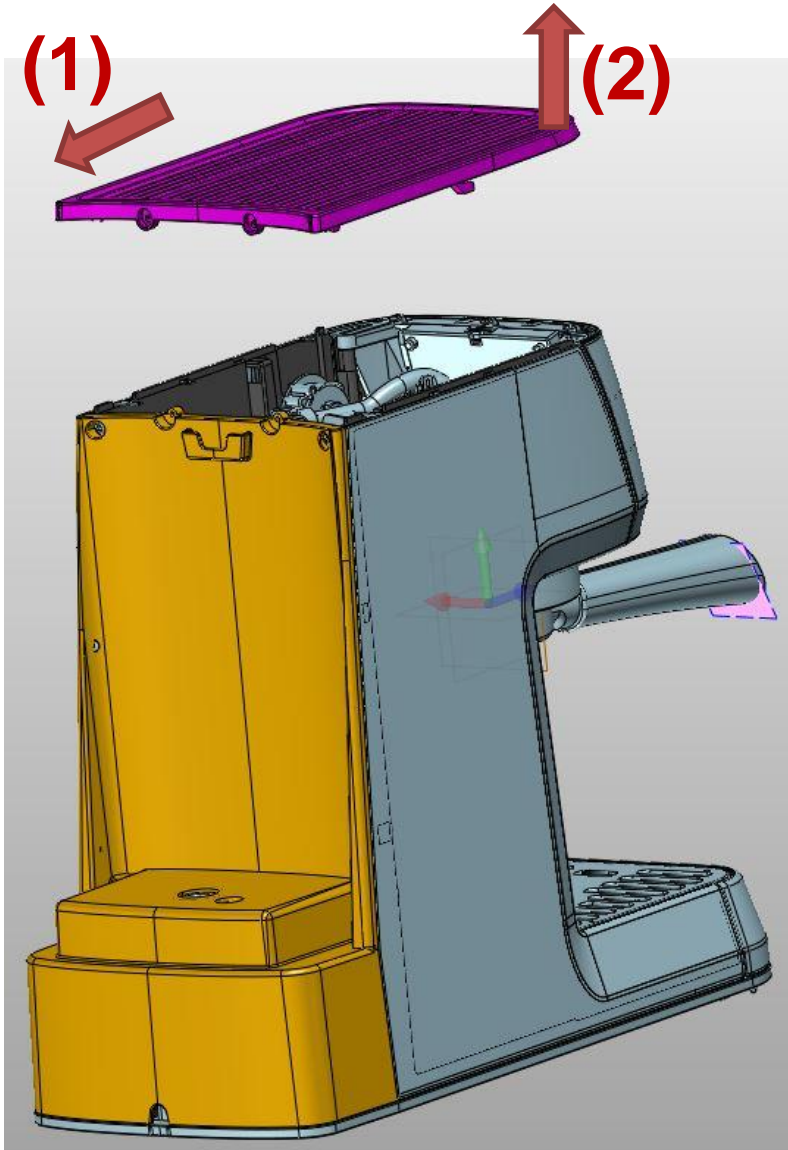
**Remove the water tank,  
pulling it up**

# Solis of Switzerland

The Solis logo is written in a white, cursive script font on a red rectangular background.

**Unscrew the screws  
of the top cover**

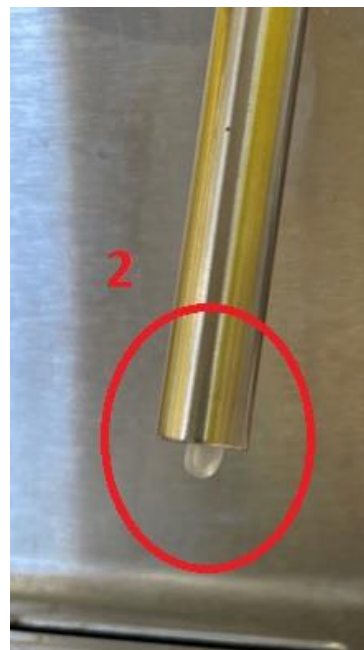
# Solis of Switzerland



**Remove the top cover,  
dragging it toward the backside  
(1) and then pull it up (2)**

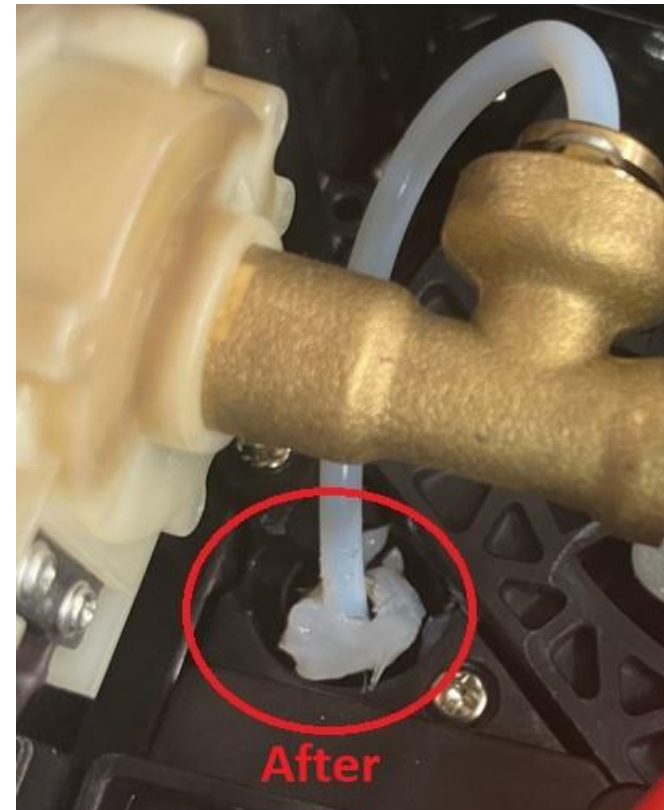
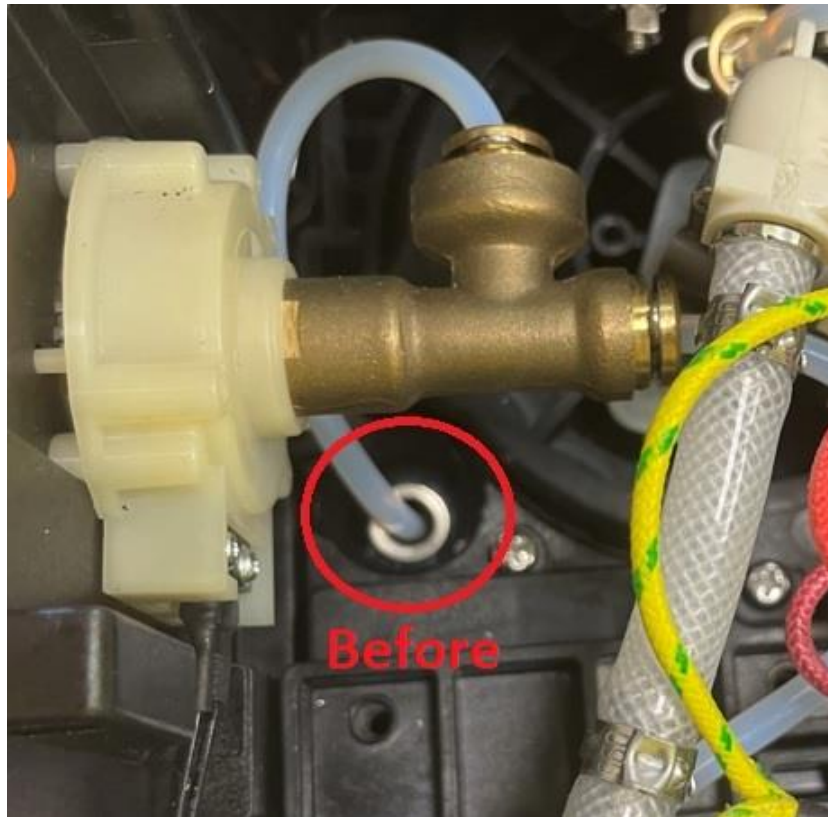
# Solis of Switzerland

**Unscrew the nozzle of the steam wand (1). Check if the teflon tube is inside the steam wand (2). Push it out so that it protrudes 20 mm +/- 1mm.**





## Fix the teflon tube with silicone





**Wait for the silicone to dry and test the machine without the top cover. The test must be performed by generating steam by opening the steam knob (follow the procedure on instruction manual to make steam). If no water or steam is observable from inside the machine, the machine can be reassembled.**