

Solis of Switzerland

Burrs calibration



SINCE 1908

Solis

SINCE 1908

Solis

SINCE 1908
Solis

SINCE 1908
Solis

SINCE 1908
Solis

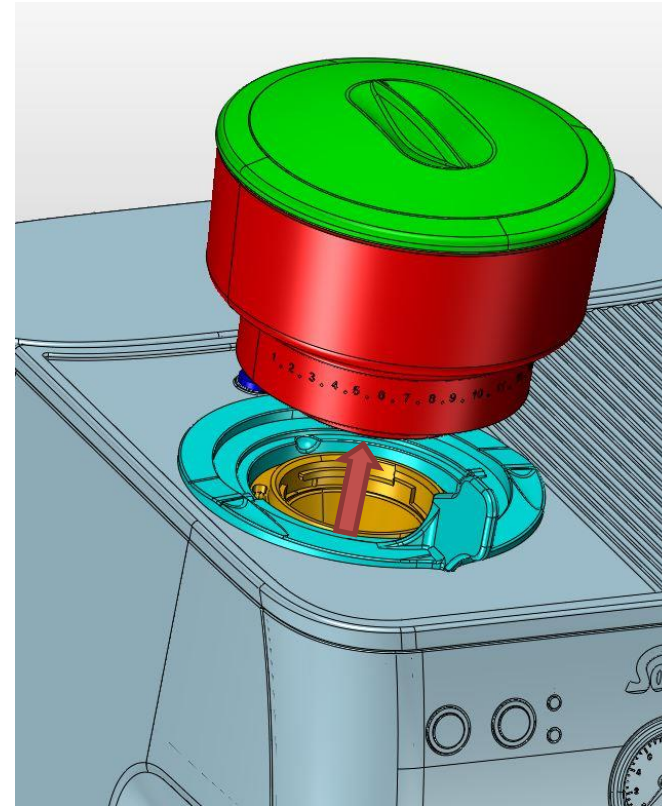
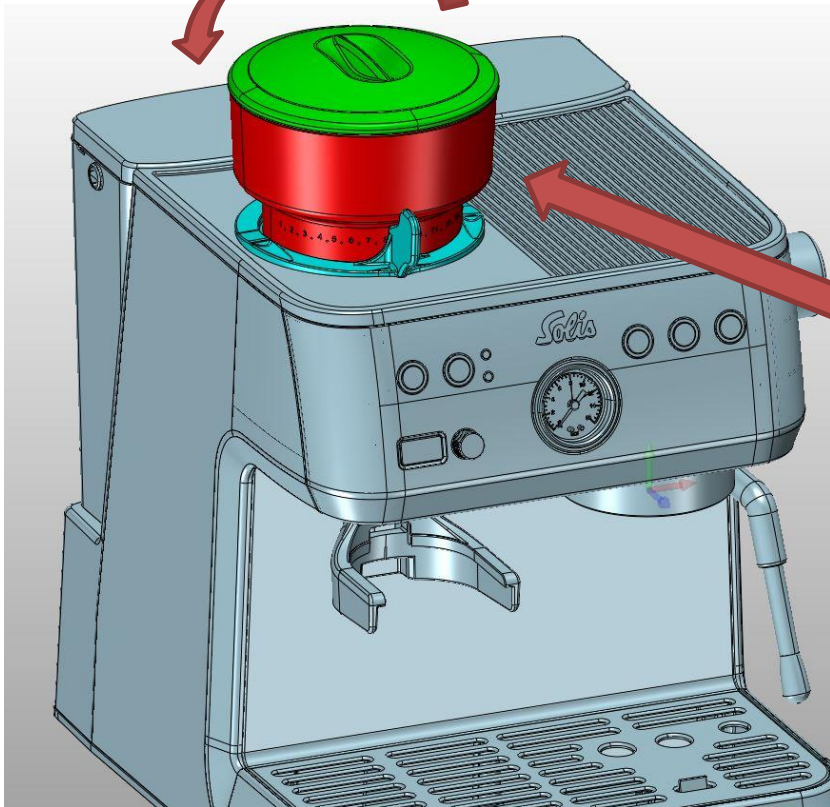
SINCE 1908
Solis

SINCE 1908
Solis

SINCE 1908
Solis

SINCE 1908
Solis

Solis of Switzerland



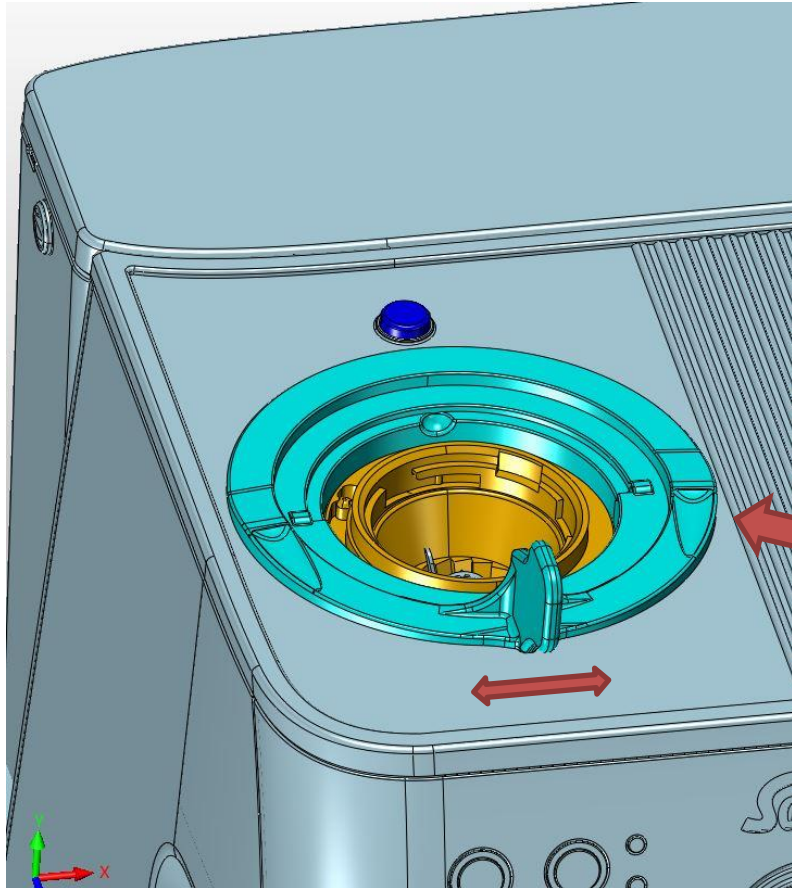
**Remove the hopper
by turning it counterclockwise**

SINCE 1908

Solis

So Swiss, so Solis.

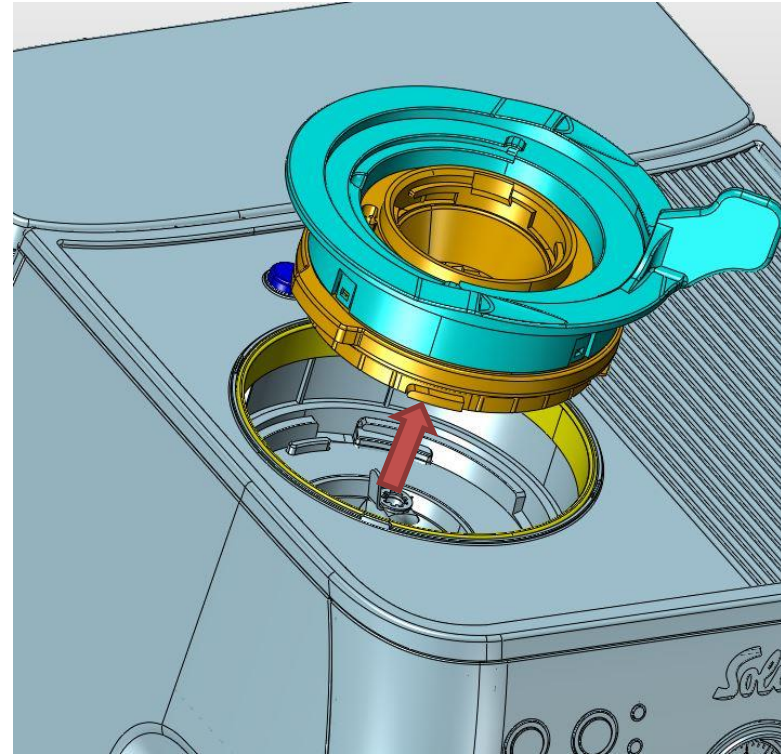
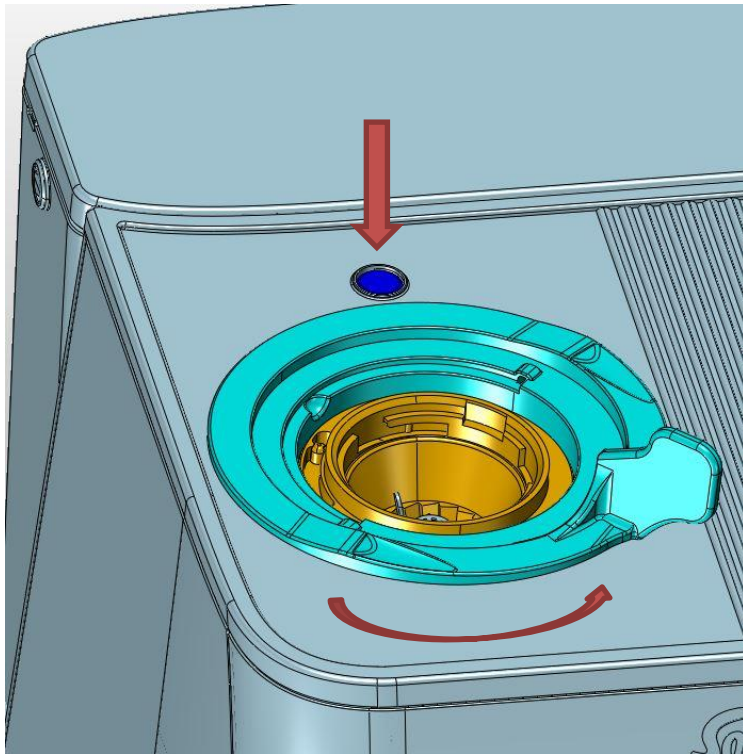
Solis of Switzerland



Set the dial ring at 12 position

So Swiss, so Solis.

Solis of Switzerland



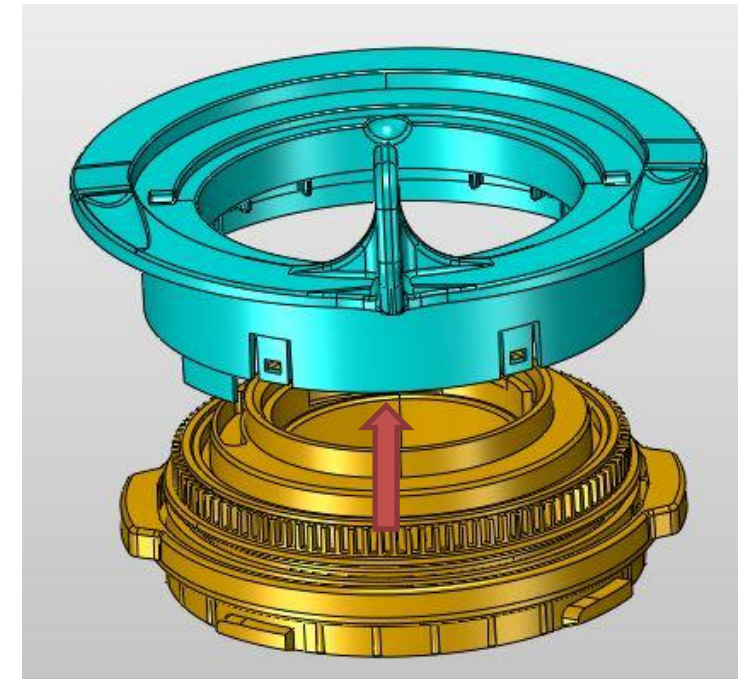
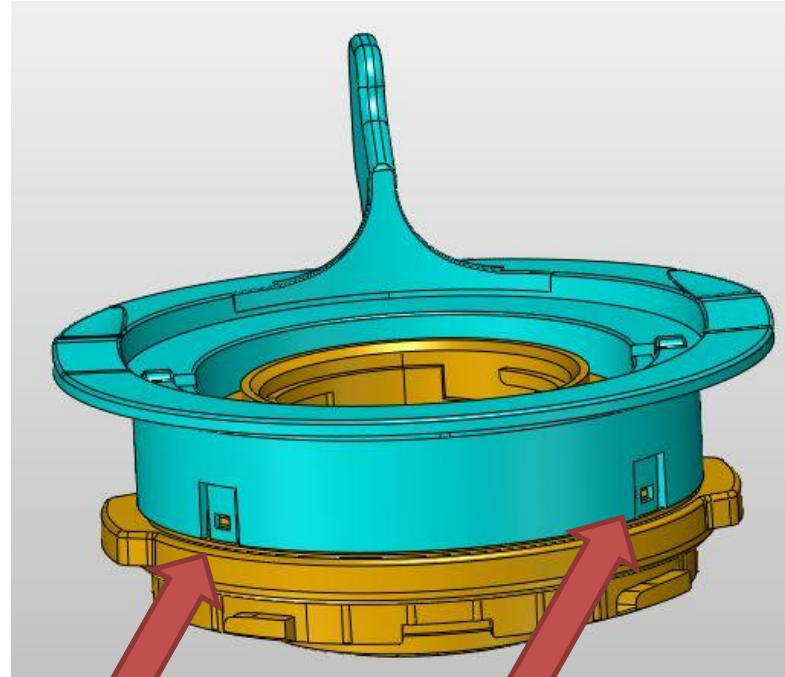
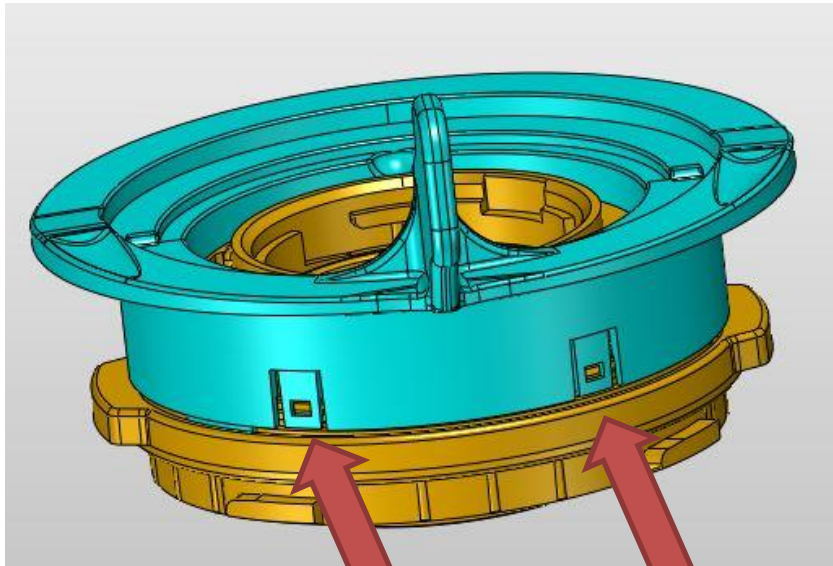
Turn the grinder mechanism counterclockwise, without moving the dial ring, pushing the button

SINCE 1908

Solis

So Swiss, so Solis.

Solis of Switzerland



Unlock the dial ring using a screwdriver or a similar tool (there are 4 lugs)

So Swiss, so Solis.

Solis of Switzerland

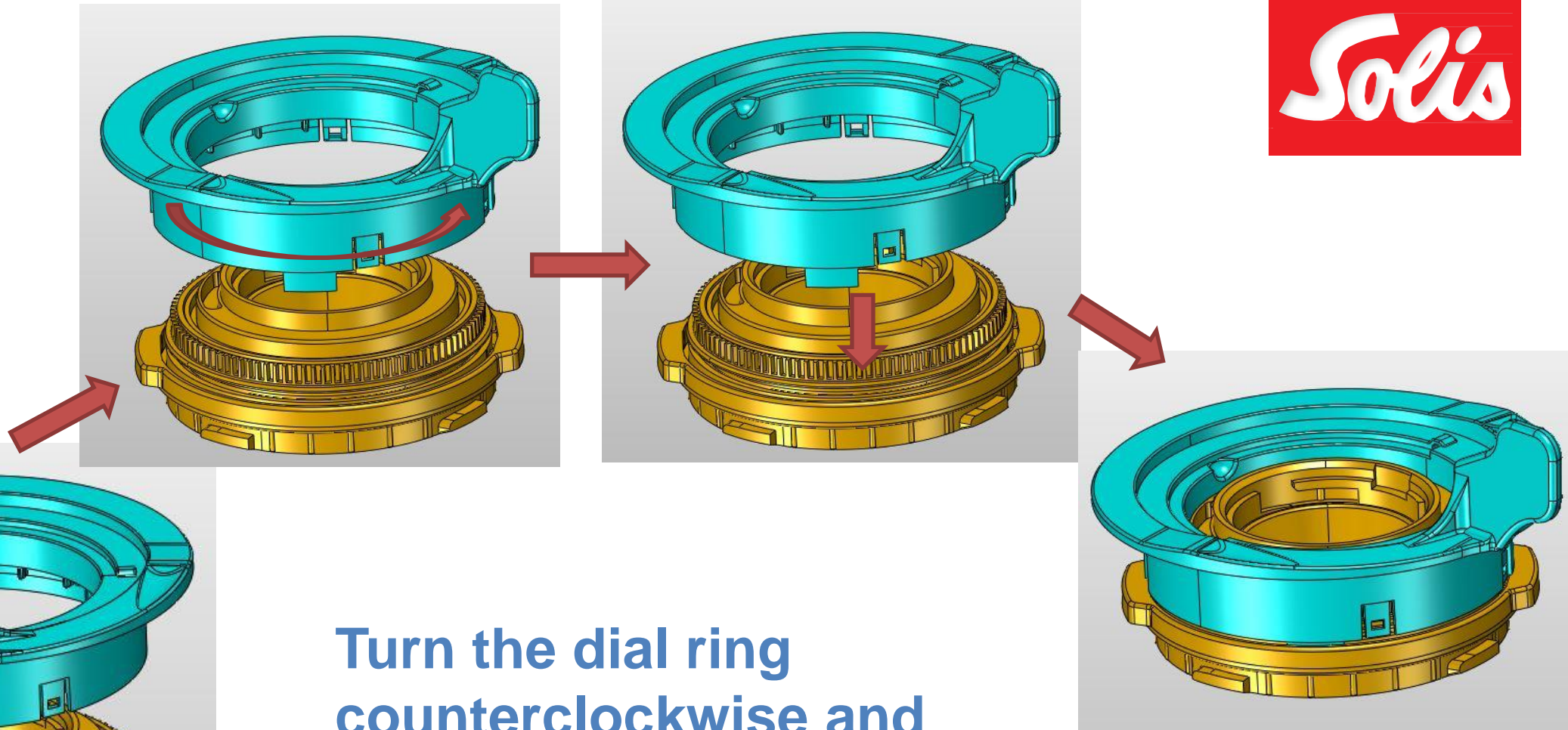


For finer settings look procedure A
For coarser settings look procedure B

So Swiss, so Solis.

Solis of Switzerland

Procedure A

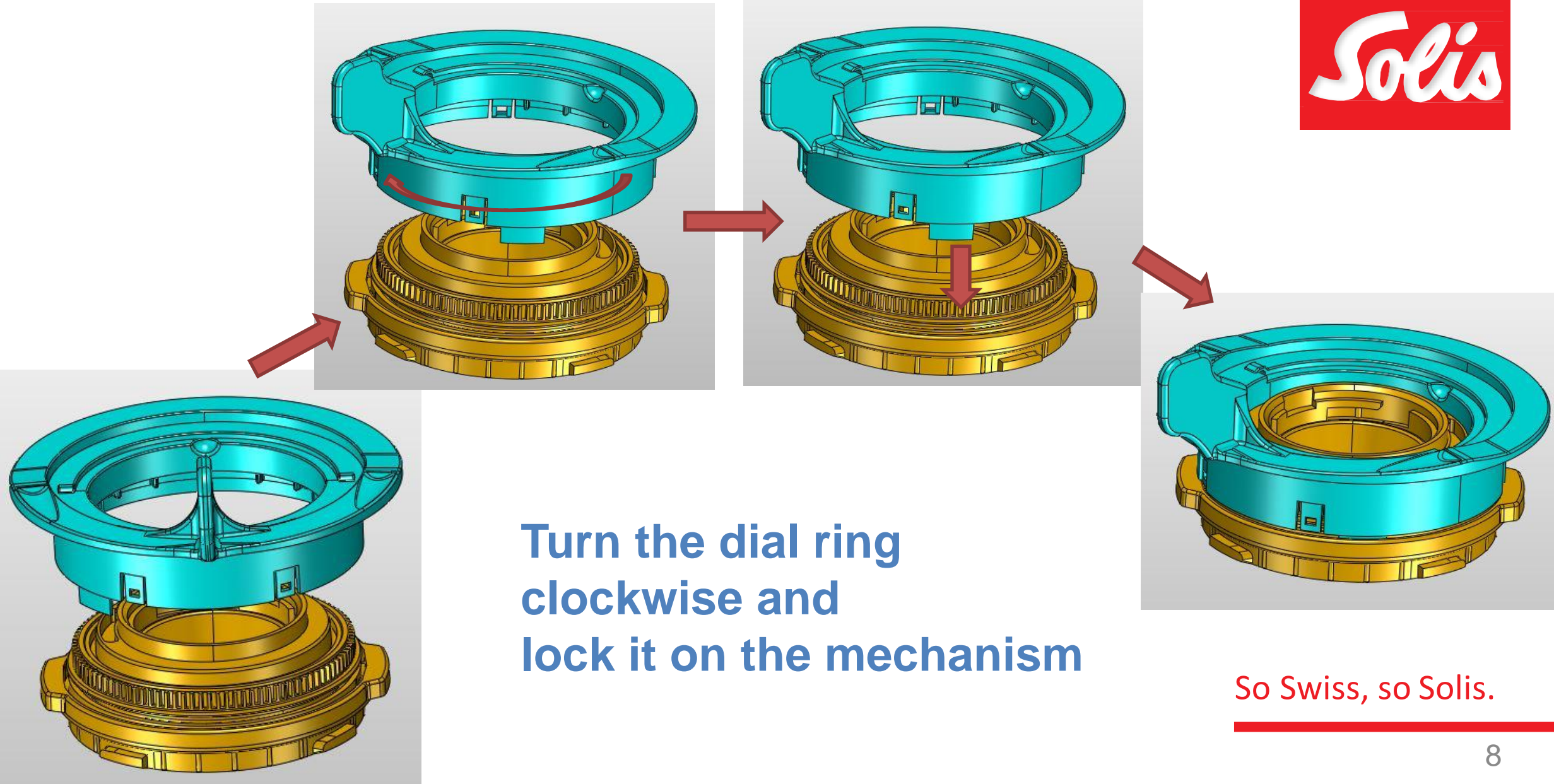


Turn the dial ring
counterclockwise and
lock it on the mechanism

So Swiss, so Solis.

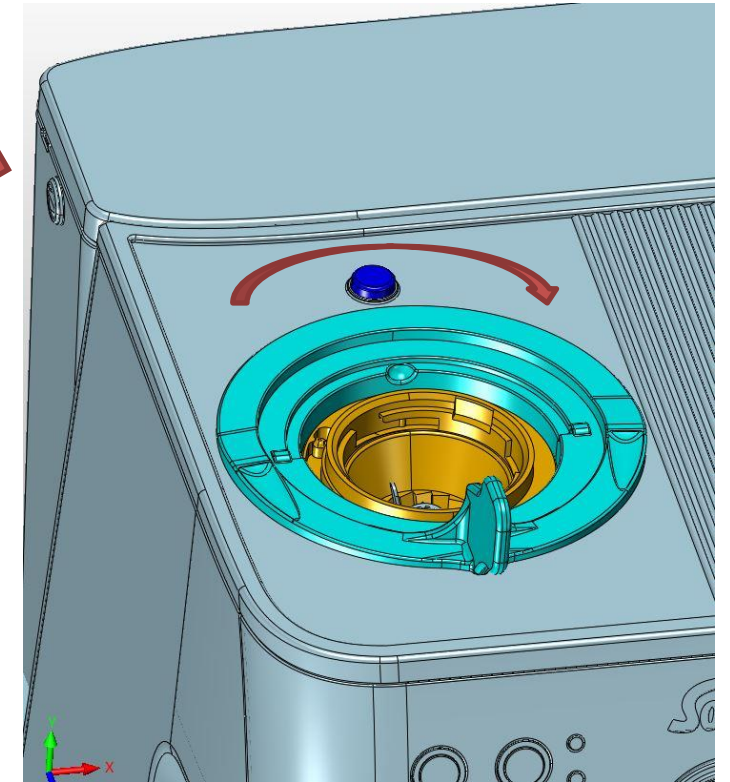
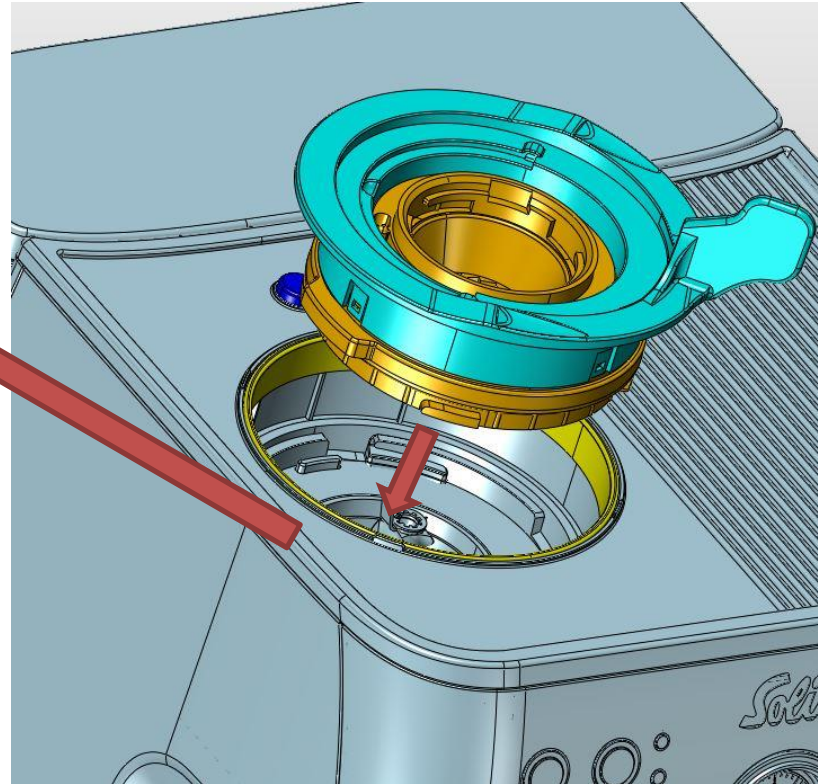
Solis of Switzerland

Procedure B



So Swiss, so Solis.

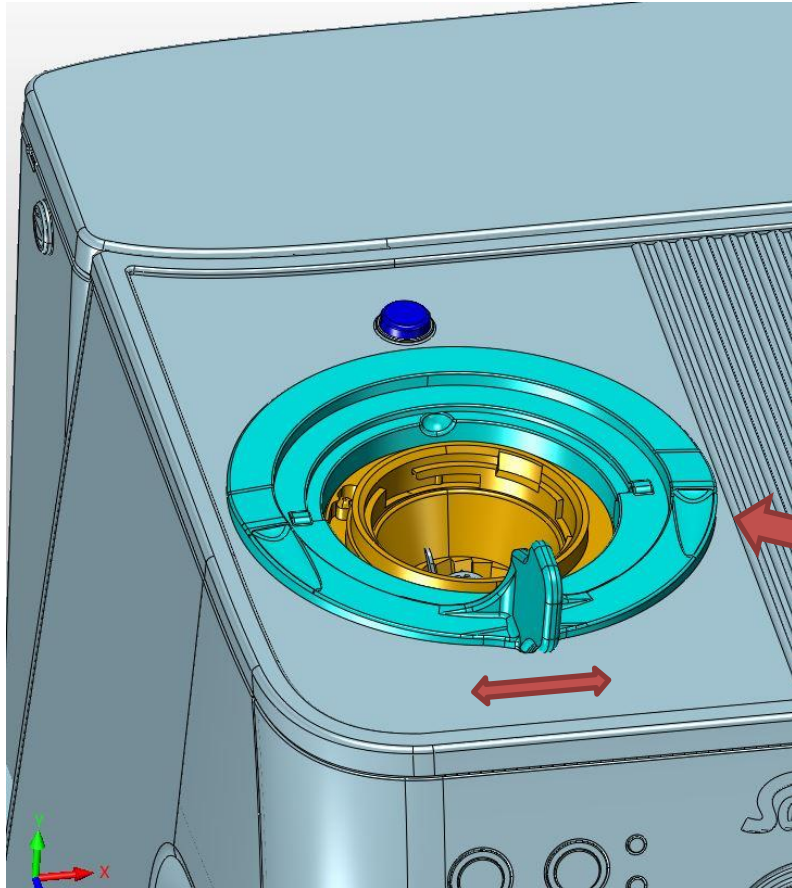
Solis of Switzerland



Align the sign on the machine lid and the grinder mechanism then lock the grinder the mechanism by turning it clockwise

So Swiss, so Solis.

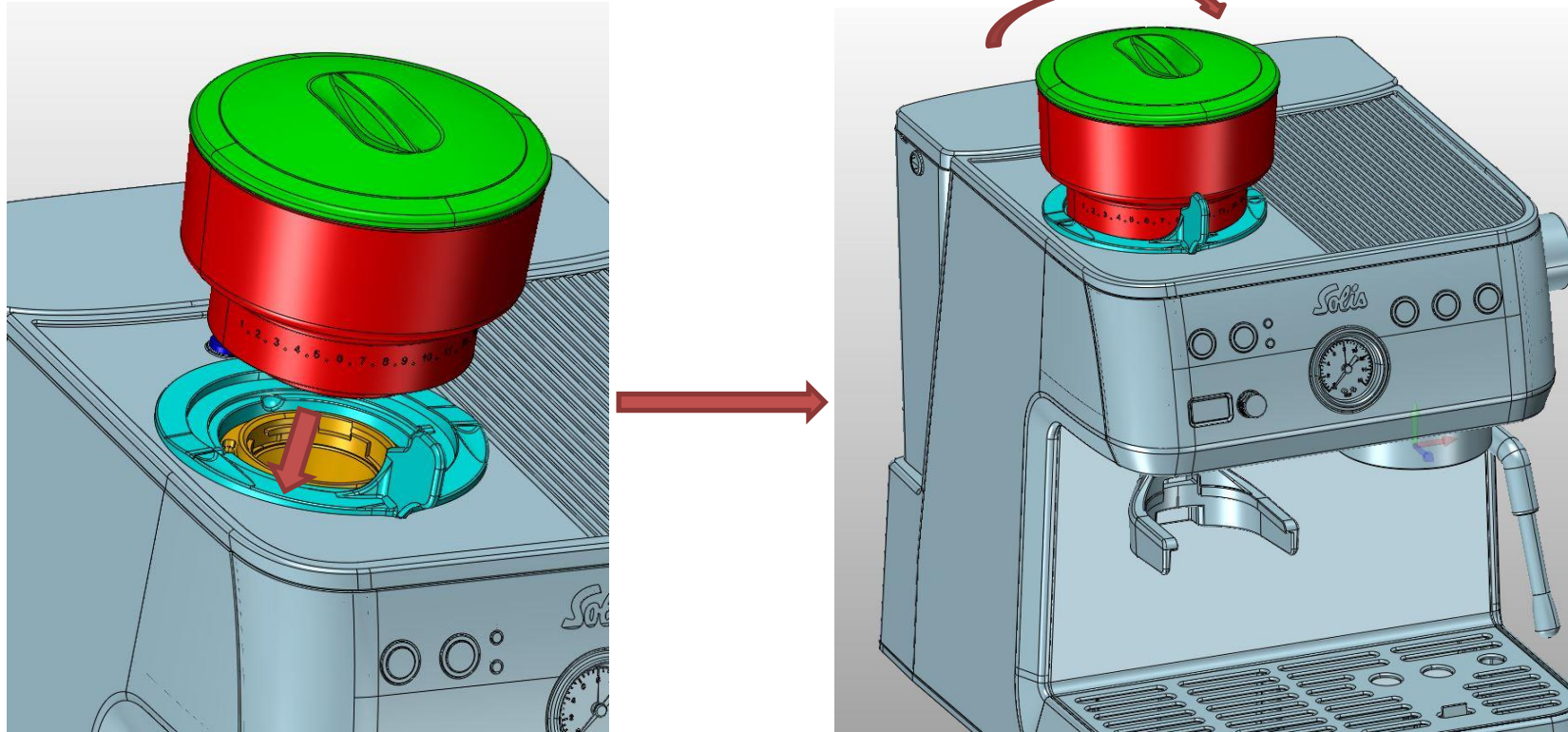
Solis of Switzerland



Set the dial ring at 12 position

So Swiss, so Solis.

Solis of Switzerland



**Lock the hopper in the machine
by turning it clockwise**

So Swiss, so Solis.



**Test the new setting and if needed,
repeat the procedure from the beginning.**

**Ideally, with dial ring set to 12 positions, using 18 grams of
coffee with 2 cup filter, you should get pressure from 8 to 12 bar**

So Swiss, so Solis.
