



HOBBY 01

COD. 9942062.01

REV. 00



TABLE 1
HOB01

POS	CODE	DESCRIPTION
1	5345001.02VH	PAINTED CHASSIS BLACK
1	5345001.02VT	PAINTED CHASSIS RED RAL 3000
1	5345007.01	INOX CHASSIS
2	7633343	BIPOLAR SWITCH WITH LED STEAM
3	7633342	BIPOLAR SWITCH WITH LED COFFEE
4	7632108	UNIPOLAR SWITCH 250V 16A WITH GREEN LAMP
5	7633341	BIPOLAR SWITCH WITH LED ON/OFF
6	7816002	SCREW TCEI M4X12
7	5192004	SHEATH
8	5096324LW	CUPS-HEATER
9	7819908	SCREW TTEI M4X8
10	5058448LL	BOILER SUPPORT
11	7613004	FAIRLEAD
12	7373009	TANK 3 LT. CAPACITY
13	5345002	COMPLETE REAR PANEL
14	5094517	DRAIN GRID
15	7613503	FAIRLEAD M10V RUBBER
15	7613007	FAIRLEAD M17V 3121145 RUBBER
16	5191003	VALVE BODY
17	5224002	STUD D8.5 X 17.5 OT
18	7496035	OR GASKET D4.2 X 1.9 VITON
19	7496076	OR GASKET 112 EPDM 70SH
20	5194646	HOSE 8X5 L=600 SILICONE
21	5224415	RUBBER-HOLDER D6X1/8
22	5302081	DRAIN FITTING
23	7496018	OR GASKET 105 VITON
24	5302080	VALVE FITTING
25	7373004LL	DRIP TRAY WITH HOLE
26	7819901	SCREW TTEI M4X12 ISO 7380 A2 INOX
27	7474212	ADHESIVE FEET

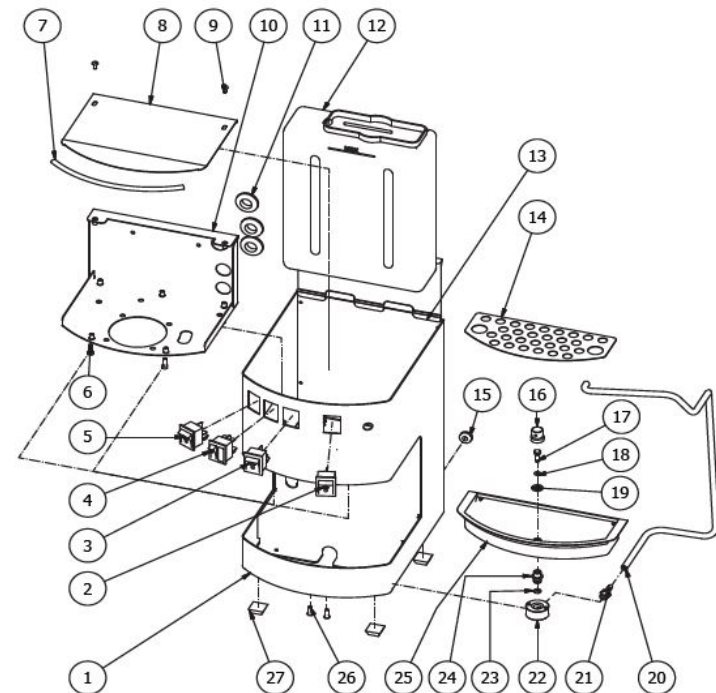
TABLE 1
HOB01

TABLE 2
HOB01

POS	CODE	DESCRIPTION
1	7496092	OR GASKET 55X8 NBR
2	7817007	VIS TPS M5 X 12
3	5470501	SHOWER D57 AISI 304
4	5285501TP	SHOWER-HOLDER D57
5	5222824	RING NUT M12X6,5
6	7816002	SCREW TCEI M4X12
7	5280514TW	COUPLING RING CHROMED
8	7811401	NUT M6
9	5229918TP	HOSE
10	7303042TR	UNION
11	5194594	HOSE PTFE D4x1 L=120
12	5194613	OUTLET HOSE
13	5264020TP	STUD
14	7496018	OR GASKET 105 VITON
15	7634821	THERMIC SAFETY DEVICE 250V 105°C AUTOMATIC
16	7634815	THERMIC SAFETY DEVICE 250V 140°C AUTOMATIC
17	7825005	PLAIN WASHER D13 X 6.7 X 0.5
18	5226411TP	PLUG 1/8
19	7634814	THERMIC SAFETY DEVICE 250V 162°C MANUAL
20	5283054TP	UPPER BOILER D70 H59 OT
21	5721201	HEATING ELEMENT 1100W 120V WITH GASKET
21	5722424.01	HEATING ELEMENT 1100W 220/230V WITH GASKET
21	5722428	HEATING ELEMENT 1100W 240V WITH GASKET
22	7496060	OR GASKET 177 VITON
23	5287508TP	COUPLING RING SUPPORT
24	5492023	GASKET D103 X 73 X 0.5 ASBESTOS FREE
25	5493044	GASKET D72X58X3 SILICONE
26	7811601	SELF-LOCKING NUT M5 UNI 7474 A2
27	5166003TW	HOSE D14 X 12 X 62 OT CHROMED
28	7496003	OR GASKET 108 VITON

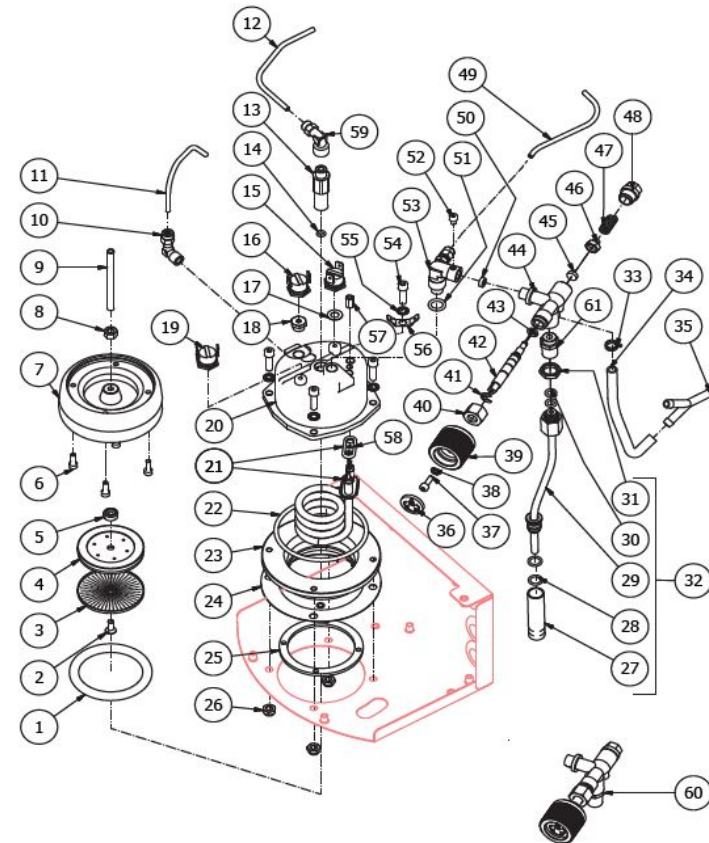
TABLE 2
HOB01

TABLE 2
HOB01

POS	CODE	DESCRIPTION
29	5162050TW	WATER/STEAM HOSE CHROMED
30	7496037	OR GASKET D6 X 2 VITON
31	5221801	NUT M13 H4 OT
32	5966564	ASSEMBLY COMPLETE WATER/STEAM HOSE
33	7611515	CLAMP
34	5194611	HOSE D8X5 L=140MM SILICONE
35	7303039	FITTING
36	5373901	STEAM PLUG D21
37	7816205	SCREW TCI M4X10 UNI 6107 OT
38	7814001	WASHER D4 DIN 6798A A2
39	5371801	KNOB D32
40	5221866	NUT M13 X 1 ES.16 H11.5 HOLE D9 OT
41	7810605	RING D5 UNI 7434 A2
42	5220202TP	SHAFT D8 X 65.2 OT
43	7496065	OR GASKET D5 X 1.8 VITON
44	5283034TP	TAP BODY (NEW)
45	7497005	GASKET D9 X 3 VITON
46	7305005TP	GASKET-HOLDER
47	5471541	TAP SPRING D9 X 30 AISI 302
48	7305502TP	SPRING-HOLDER PLUG OT
49	5194596	INLET HOSE
50	5494001	GASKET D8.5 X 5 X 3.2 PTFE
51	5221858	WASHER D10 X 2 COPPER
52	7816208	SCREW TCI M4X6 UNI 6107 A2
53	5301522TP	UNION ELBOW M10X1/8
54	7816011	SCREW TCEI M5X20 UNI 5931 A2
55	7814002	NOTCHED WASHER D5 DIN 6798A A2
56	7615002	DOUBLE FASTON 45° HOLE D6.3
57	5222210	SPACER M4 H11
58	7493005	HEATING ELEMENT GASKET

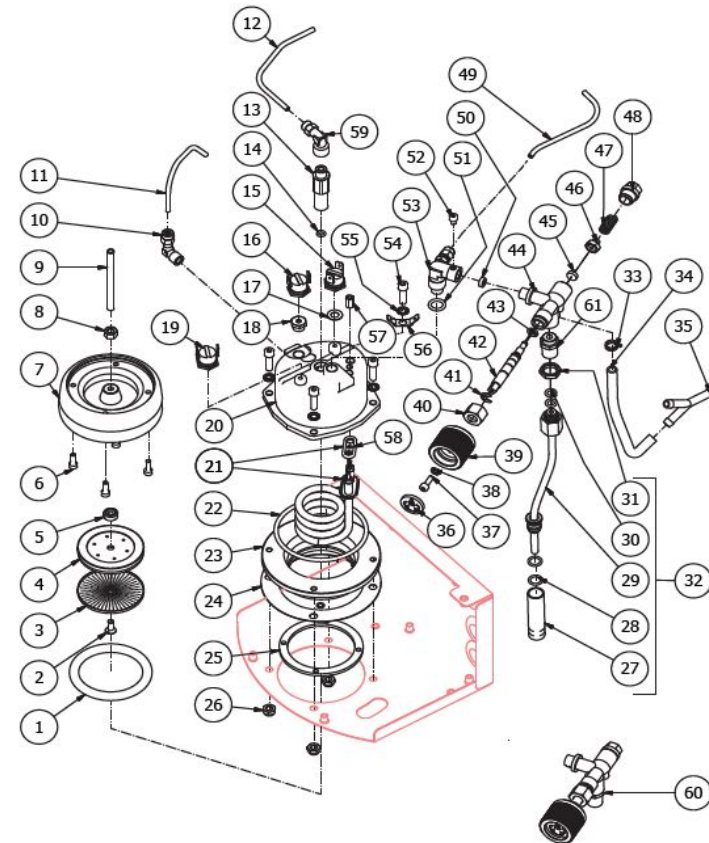
TABLE 2
HOB01

TABLE 2
HOB01

POS	CODE	DESCRIPTION
59	7303034TR	UNION ELBOW 1/8
60	5964009	ASSEMBLY TAP
61	5225251TP	FITTING M12 X M13 H23 OT

TABLE 2
HOB01

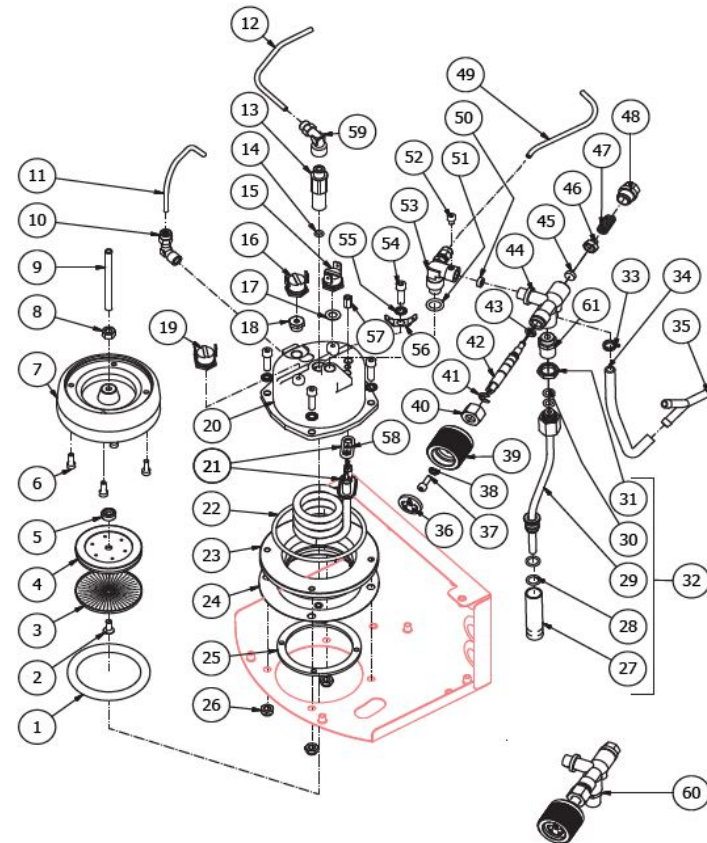


TABLE 3
HOB01

POS	CODE	DESCRIPTION
1	7614005	CABLE-PRESS
2	7816002	SCREW TCEI M4X12
3	7630332	SOLENOID VALVE COIL 115V PARKER
3	7630331	SOLENOID VALVE COIL 230V PARKER
3	7630330	SOLENOID VALVE COIL 240V PARKER
4	7303036TR	STRAIGHT FITTING 1/8
5	7701112	SOLENOID VALVE 3 WAY 115V PARKER
5	7702311	SOLENOID VALVE 3 WAY 230V PARKER
5	7702410	SOLENOID VALVE 3 WAY 240V PARKER
6	5370314	RUBBER-HOLDER
7	7303042TR	UNION
8	7731019	VIBRATION PUMP EX5 120V WITH OR
8	7731020	VIBRATION PUMP EX5 230V WITH OR
8	7731021	VIBRATION PUMP EX5 240V WITH OR
9	7496018	OR GASKET 105 VITON
10	5194586	HOSE 8X5 L=200 SILICONE
11	7452512	VALVE
12	7496085	OR GASKET D7.2X1.9 NBR 70SH
13	5225411TP	FITTING 1/8
14	7634816	THERMIC SAFETY DEVICE 100°C AUTOMATIC
15	5194619	HOSE D15X12 L=13MM SILICONE
16	5194551R	HOSE WITH FILTER
17	7374015	FILTER
18	7303006	RUBBER-HOLDER FITTING
19	7470602	VIBRATION-DAMPING
20	7816004	SCREW TCEI M4 X 16
21	7805009	PLAIN WASHER D5 X 11 X 1
22	7303039	FITTING
23	5194540	HOSE 8X5 L=300 SILICONE
24	7555001	CABLE WITH SCHUKO PLUG

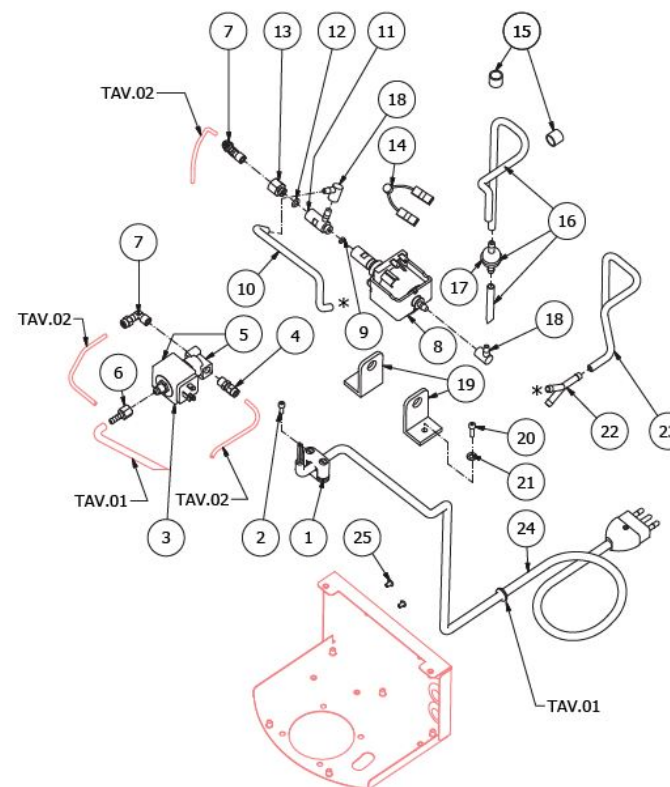
TABLE 3
HOB01

TABLE 3
HOB01

POS	CODE	DESCRIPTION
24	7551001	CABLE WITH USA PLUG 125V 15A
24	7551003	CABLE WITH USA PLUG 250V 20A
24	7554001	CABLE WITH ENGLISH PLUG
24	7555003	CABLE WITH SWITZERLAND PLUG
25	7819912	SCREW M4X6

TABLE 3
HOB01

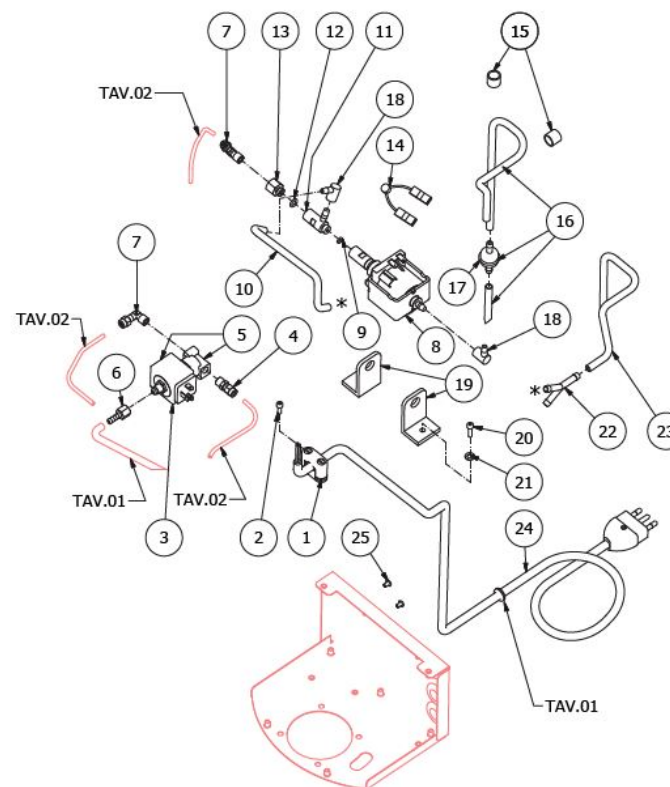
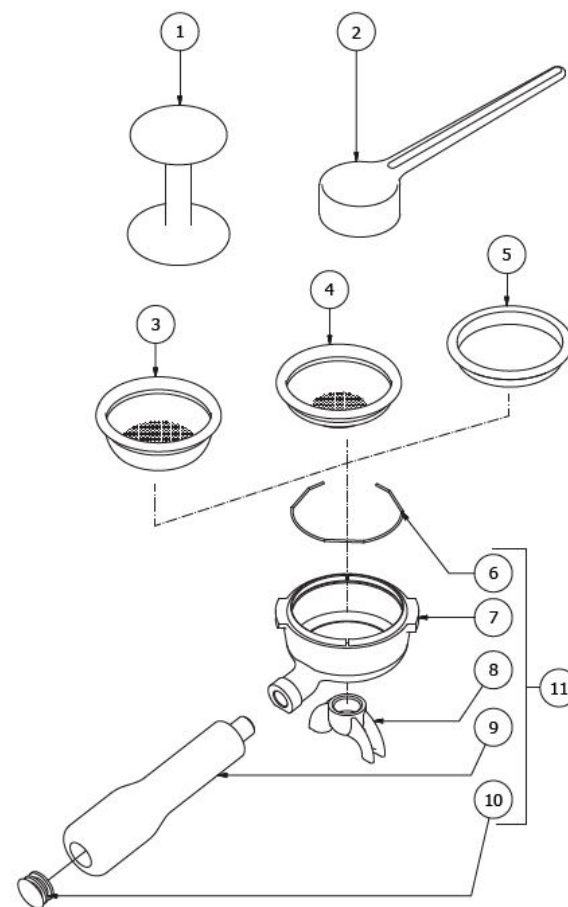


TABLE 4
HOB01

POS	CODE	DESCRIPTION
1	5373001	COFFEE-PRESS
2	5372101	MEASURER
3	5471021.01	FILTER 2 CUPS 12 GRAMS AISI 304 WITH RUN CHANNEL
3	5471035	FILTER 2 CUPS 16 GRAMS AISI 304 WITH RUN CHANNEL
4	5471031.01	FILTER 1 CUP 8 GRAMS WITH RUN CHANNEL
5	5471003	BLIND FILTER
6	5471527	FILTER-HOLDER SPRING D1.2 AISI 302
7	5286016TW	FILTER-HOLDER
8	7288501TW	SPOUT 2 WAY SHORT
9	7371502	KNOB POLISHED
10	5373915CM	KNOB CHROME CAP
11	5965604R	ASSEMBLY FILTER-HOLDER 2 CUPS

TABLE 4
HOB01



G. BEZZERA S.R.L.
MACCHINE PER CAFFE' ESPRESSO
Via Luigi Bezzera, 1
20088 Rosate - Milano - Italy
Tel. ++39 02 90848102 r.a. - Telefax ++39 02 90870287
Web: www.bezzera.com
e-mail: admin@bezzera.it