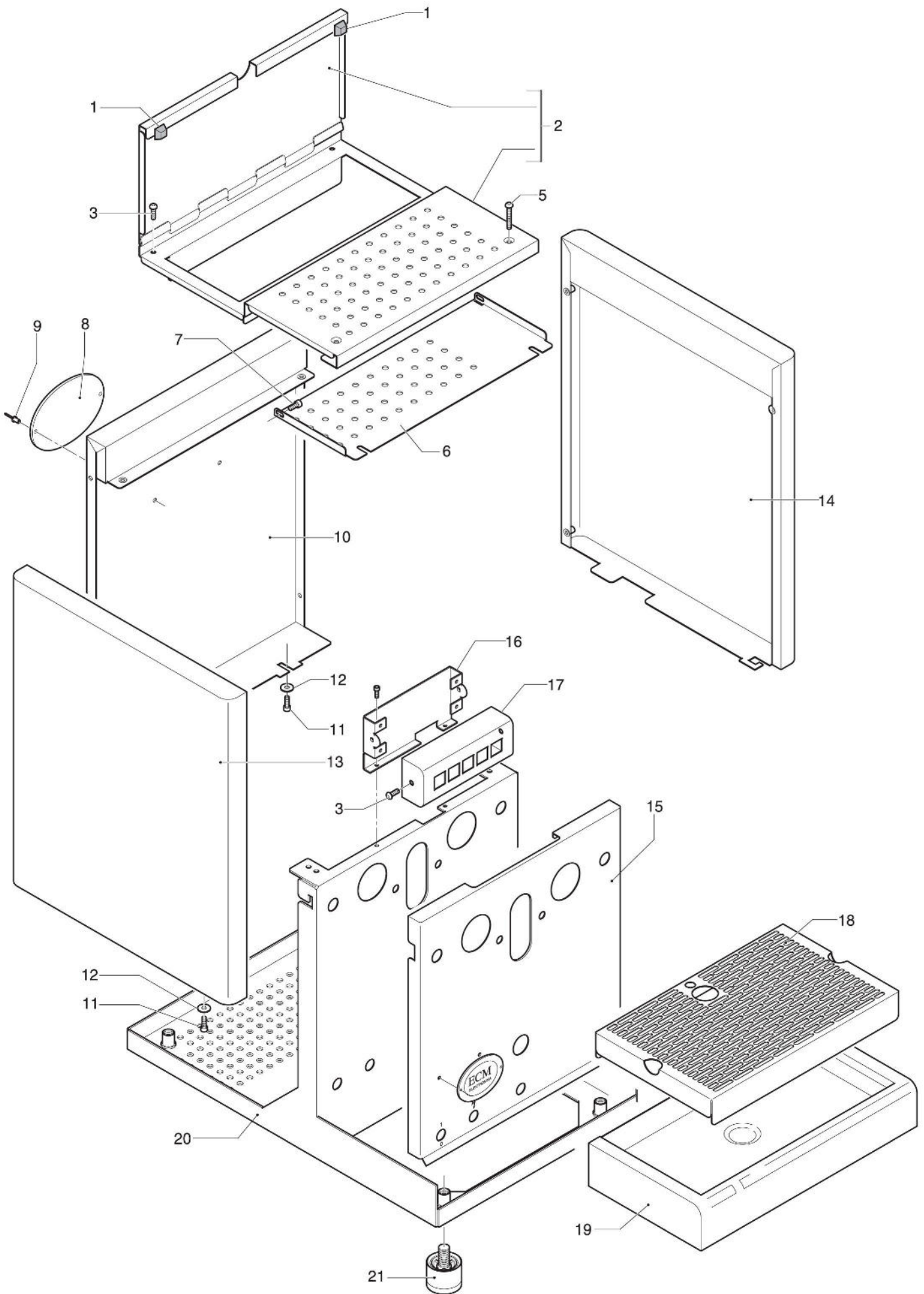




ELEKTRONIKA II PROFI Art.-Nr. 84274

Ersatzteile / Spare parts / Parti di ricambio

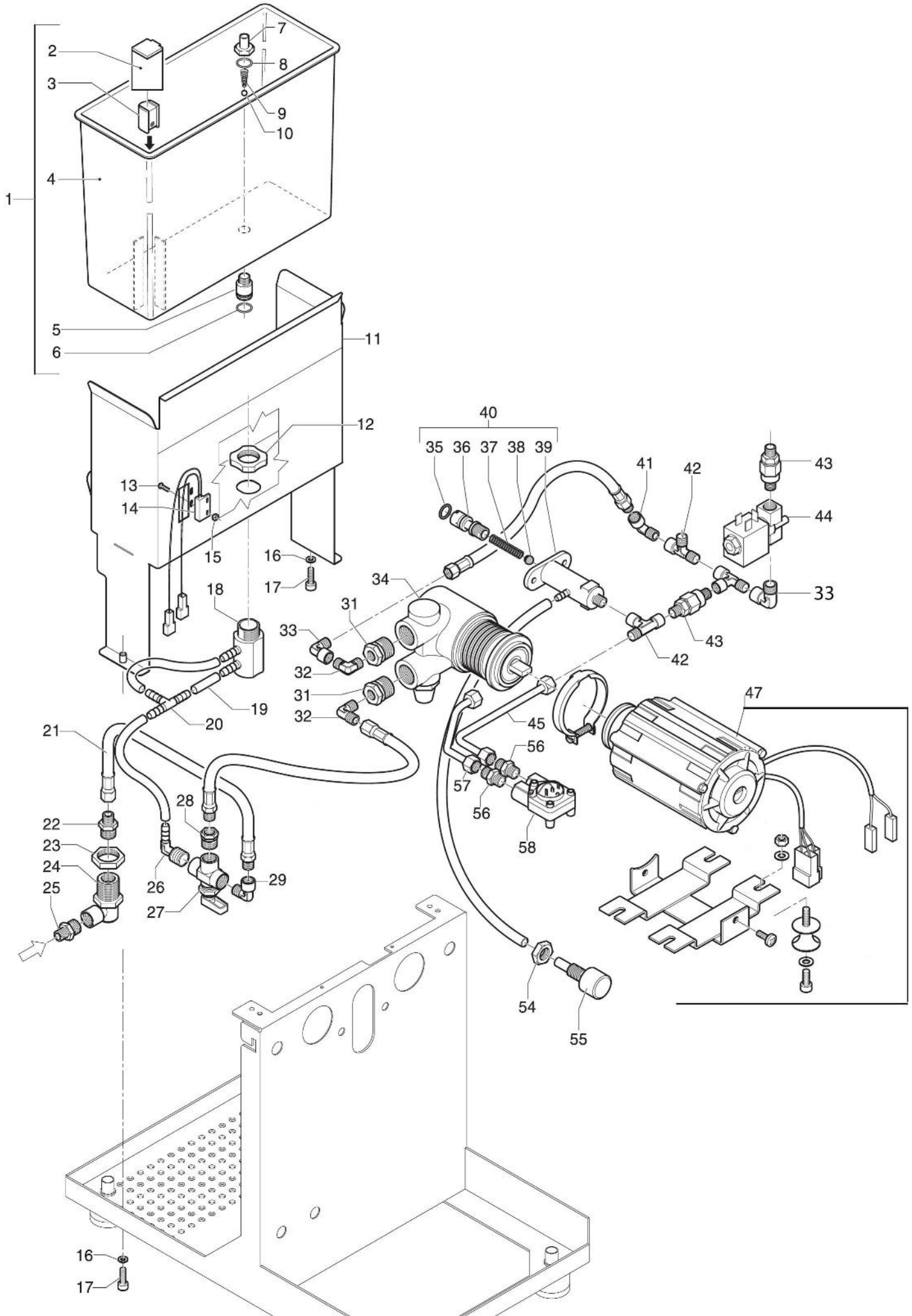
Drawing 01



Elektronika Profi II - Table 1

Pos.	Artikelnr./ item no./ num.art.	Bezeichnung	Description	Descrizione	Preis/ price/ prezzo in €
1	B7474217	Fuß für Tassenablage	Foot heater grid	Piedino adesivo	0,69
2	P3011.E1	Tassenablage	Cup warming tray	Scaldatazze	111,80
3	P2022	Schraube Linse M4x10 A2 glänzend	Lens-head screw M4x10A2 polished	Vite bombata M4x10A2 lucida	0,11
5	B7819911	Schraube Linse M4x25	Lens-head screw M4x25	Vite TTEI M4X25	0,39
6	P3012	Untere Tassenablage	Lower cup warming tray	Scaldatazze sotto	20,00
7	B7826212	Schraube Zylinder M4x6	Screw cylinder M4x6	Vite TCI M4x6	0,15
8	ER8285	Emblem Rückseite	Label backside	Emblema retro	12,90
9	P1999	Blindniete Flachrundkopf 3x8	Blind rivet truss head 3x8	Rivetto 3x8	0,13
10	P3010	Rückwand	Rear panel	Pannello posteriore	79,00
11	P2006	Schraube Zylinder M4x10 A2	Screw cylinder M4x10 A2	Vite TCI M 4x10 A2	0,12
12	P6100	Unterlegscheibe	Washer	Rondella piana	0,06
13	P3009	Seitenwand links	Side panel left	Spalla SX	89,00
14	P3008	Seitenwand rechts	Side panel right	Spalla DX	89,00
15	P3032	Frontblech	Front panel	Frontalino	28,50
16	P3031	Halterung Tastatur	Fitting control panel	Supporto pulsantiera	40,00
17	P3030	Abdeckung Tastatur	Cover control panel	Copertura pulsantiera	39,95
18	P3023.4	Gitter Wasserauffangschale	Grid drip tray	Griglia bacinella	29,50
19	M3024.4	Auffangschale	Drip tray	Bacinella	136,50
20	P3001.5	Grundchassis	Base chassis	Basamento frontale	108,30
21	P7025	Gerätefuß inox	Foot inox	Piedino inox	6,90

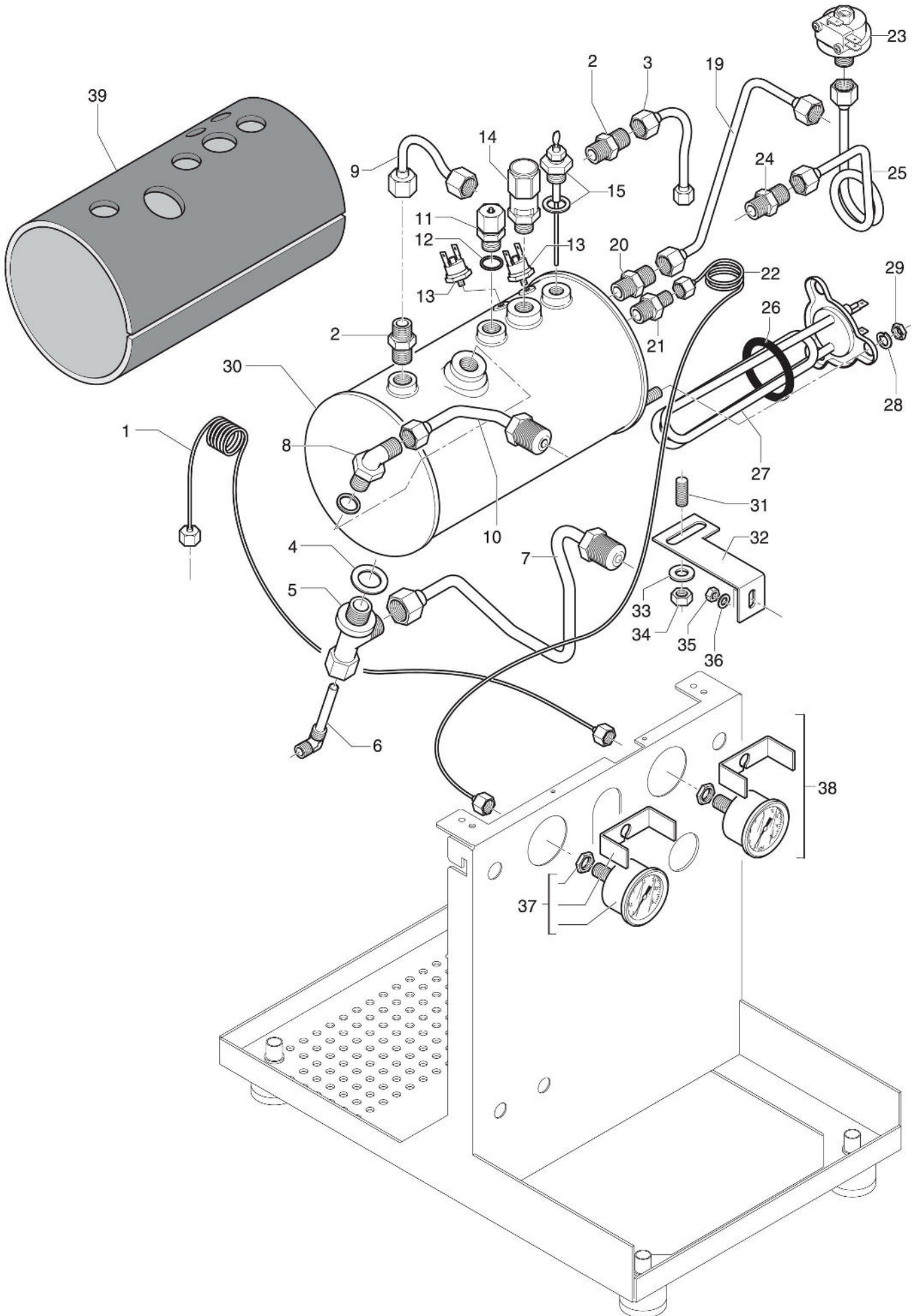
Drawing 02



Elektronika Profi II- Table 2

Pos.	Artikelnr./ item no./ num.art.	Bezeichnung	Description	Descrizione	Preis/ price/ prezzo in €
1	P6014.K.K	Wassertank komplett	Water tank with guide rail reed complete	Serbatoio completo	36,90
2	P6016	Wassertank Stöpsel	Water tank plug	Tappo per serbatoio	1,85
3	P6021	Reed Schwimmer	Reed swimmer	Galleggiante- float	3,9
4	P6014	Wassertank Grundkörper	Water tank base	Serbatoio con scanalatura	25,00
5	P6020.K2	Wassertankadapter Nr2 K	Water tank adapter no2 plastic	Perno portagomma Serbat N2 K	3,45
6	B7496076	Dichtung OR 112	Seal OR 112	Guarnizione OR 112	0,65
7	P6020.K1	Wassertankadapter Nr1 K	Water tank adapter no1 plastic	Portagomma innesto serbatoio N1 K	3,45
8	P6020.3	Oring Wassertankadapter K	OR water tank adapter plastic	Guarnizione OR3056	0,25
9	P6023	Feder Wassertank	Sping water tank	Molla serbatoio	1,25
10	B5471509	Kugel 7/32" AISI 304	Ball 7/32" AISI 304	Sfera Inox	0,45
11	M3006.5	Wassertankführung, geschlossen	Water tank guide rail, closed	Guida Serbatoio per read 304 chiusa	69,00
12	P6020.K3	Mutter M20 Wassertank Nr3 K	Nut M20 water tank plastic no3	Dado N 3 K	3,45
13	P2021	Schraube Linse M3x10 A2	Screw lens M3x10 A2	Vite Bombata M3x10 A2	0,10
14	P6022	Reed Sensor	Reed sensor	Sensore- Reed con faston maschio 5,3	9,76
15	P2019	Mutter M3 A2	Nut M3	Dado M3 A2	0,09
16	P2009	Unterlegscheibe 0 4	Washer 0 4	Rondella piane 0 4	0,10
17	P2006	Schraube Zylinder M4x10 A2	Screw cylinder M4x10 A2	ViteTCI M 4x10 A2	0,12
18	P6020.K4	Fitting Wassertank M20 Nr 4 K	Fitting water tank M20 no4 plastic	Bicchierino serbatoio N 4 K	3,45
19	C499900769	Silikonschlauch 8x5	Silicone hose 8x5	Tube Silicone 8x5	5,06
20	C400001932	Verbindungsstück T-Stück Kunststoff	Connector T-fitting plastic	T Fitting plastic	1,90
21	P8012	Metallschlauch flex. 17 cm	Metal hose flex 17 cm	Tube flex 17 cm	8,90
22	C229900519	Nippel 1/4" - 1/8"	Dowel 1/4" 1/8"	Nipples 1/4" - 1/8"	3,90
23	P3023	Durchgang FF 1/4" 1/4"	Run FF 1/4" 1/4"	Passaparete FF 1/4" 1/4"	5,90
24	P3527	Winkel drehbar 382/S 1/4"M-1/4"F	Rot. elbow 382/S 1/4"M-1/4"F	Gomito Girevole 382/S 1/4"M-1/4"F	11,90
26	P6057	Anschluss Silikon L 1/4" x 6	Connector silicone L 1/4" x 6	Portagomma conico L 1/4" x 6	4,90
27	P3528	Ventil 3 Wege manual 1/4"	Three-way valve manual 1/4"	Valvola a sfera 3 vie pass.L 1/4	22,14
28	P2030	Reduzierstück 1/4"M 1/8"F	Reducer 1/4"M-1/8"F	Riduzione 1/4" M 1/8"F	3,90
29	P6058	L Verbindungsstück 1/4"M 1/8"F	L-connector 1/4"M 1/8"F	Raccordo L 1/4"M 1/8"F	3,20
31	P3024	Reduzierung 3/8"M 1/8"F	Reducer 3/8"M-1/8"F	Riduzione 3/8"M 1/8"F	4,16
32	C229900579	L-Verbindungsstück 1/8"M 1/8"M	L-connector 1/8"M 1/8"M	Raccordo L 1/8"M 1/8"M	4,06
33	P9014	L-Verbindungsstück 1/8"M 1/8"F	L-connector 1/8"M 1/8"F	Raccordo L 1/8" M 1/8"F	3,20
34	P3025	Rotationspumpe 50L/h	Rotary pump	pompante a fascetta 50 l	101,75
35	P7000.5	OR Expansionsventil	Expansion valve	OR Valv.Espansione	0,65
36	P7000.2	Drückjustage Expansioventil	Pressure adjustment expansion valve	Regolatore pressione	10,95
37	P7000.3	Feder Expansionsventil	Spring expansion valve	Molla Espansione	0,90
38	P7000.4	Gummistöpsel	Rubber plug expansion valve	Funghetto in gomma	0,65
39	P7000.1	Grundkörper Expansionsventil T/M4	Base hull expansion valve	Corpo valvola espansione	15,25
40	P7000	Expansionsventil komplett	Expansion valve complete	Valvola espansione completa	29,95
42	C229900644	T-Stück 1/8" MMF	T-connector 1/8" MMF	Raccordo a T 1/8" mmf	4,48
43	C229900548	Rückschlagventil 1/8" MM	Recoil valve 1/8" MM	Valvola non ritorno	10,52
44	C199900275	Magnetventil 230V/ 50Hz 1/8	Solenoid valve 230V	Elettrovalvola 230V/ 50 Hz 2 vie 1/8"	25,51
44	US1005	Magnetventil 110V 2 Wege 1/8"-1/8"	Solenoid valve 110V 2 ways 1/8"-1/8"	Elettrovalvola 2 Vie 1/8"-1/8"	25,51
45	P1905	Alimentationsrohr T/M Rota.	Downtake tube M/T Rota.	Tube ingresso iniettore	9,80
47	P3026	Motor RPM 220V/50 120W	Motor RPM 220V/50 120W	Motor RPM 220V/50 120W	116,50
47	US1016	Motor RPM 110V/60 120W	Motor RPM 110V/60 120W	Motor RPM 110V/60 120W	116,50
54	P6103	Halb Mutter M10 A2	Half nut M10 A2	Filtro per tubo silicone	0,40
55	C227700898	Ablaufdüse	Discharge nozzle	Scarico espansione	13,90

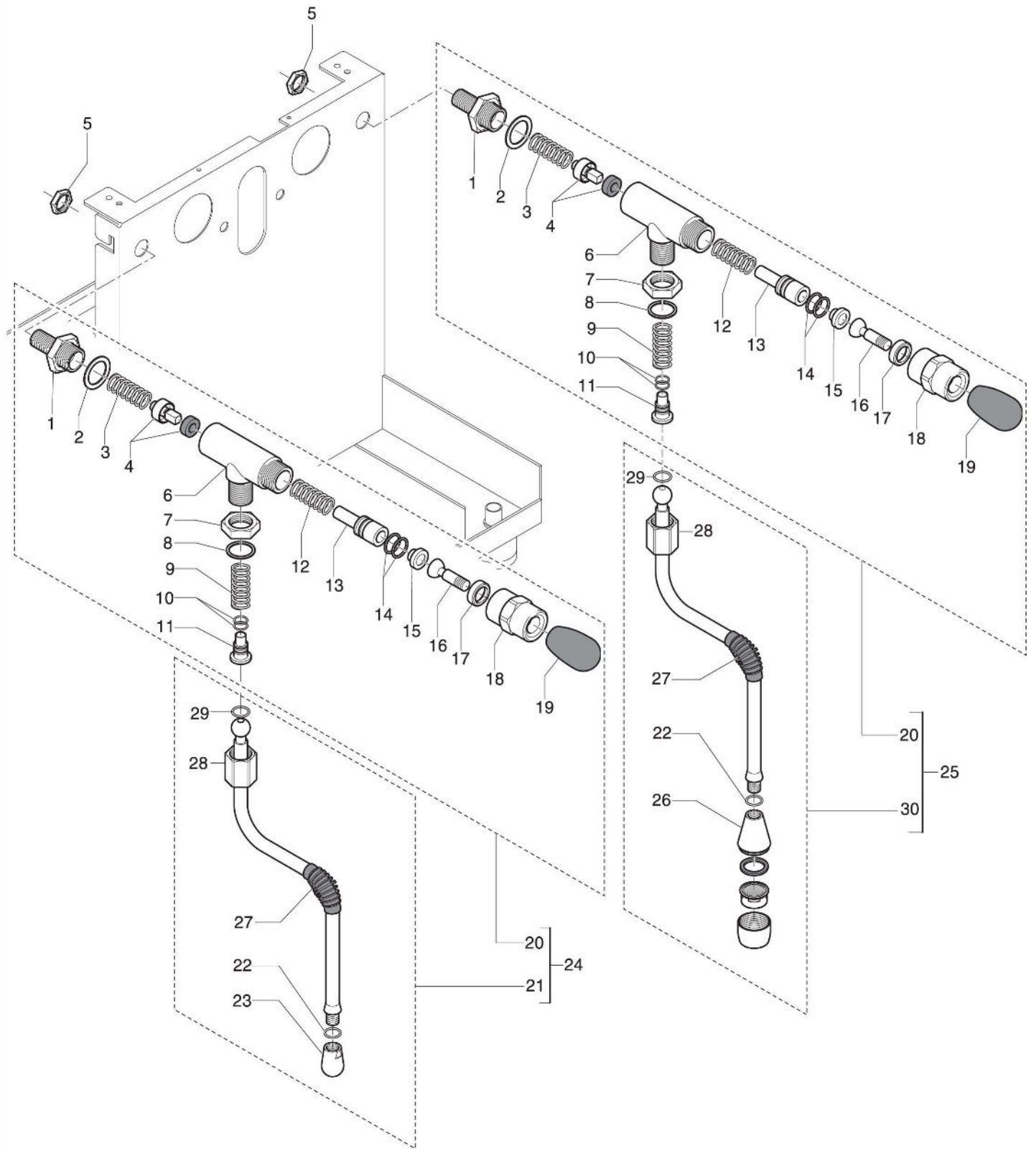
Drawing 03



Elektronika Profi II - Table 3

Pos.	Artikelnr./ item no./ num.art.	Bezeichnung	Description	Descrizione	Preis/ price/ prezzo in €
1	P6051	Kapillarrohr Pumpenmanometer 1m 1/8 1/8	Capillary tube pump p. gauge 1m 1/8"-1/8"	Capillare 1m 1/8" 1/8"	3,95
2	C229900520	Nippel 1/4" - 1/4"	Dowel 1/4"- 1/4"	Nipples 1/4" - 1/4"	3,90
3	P1904	Rohr Kesselbefüllung	Boiler loading tube	Tube carico caldaia	6,82
4	P2045	Kupferdichtung 3/8" f. Wärmetauscher	Copper gasket 3/8" heat exchanger	Guarnizione di rame 3/8"	1,20
5	C229900740	Verbindungsstück Injektionsrohr	Connection injection pipe	Raccordo ritorno G1/4(3/8x3/8x1/4)	8,00
6	C229900393	Injektionsrohr Conico	Injection pipe	Tube iniettore G1/4 X G1/8	2,53
7	P1901	Rohr Rücklauf Gruppe	Pipe return flow group	Tube ritorno circolazione	12,20
8	P2040	Winkel Kessel/ Wärmetauscher 1/4"	Angle boiler/heat exchanger 1/4"	Pescante con 2cm Tube Cu	7,69
9	P1902	Rohr Dampfentnahme	Wand steam extraction	Tube cald. rub. vapore	8,80
10	P1900	Einlaufrohr Gruppe	Entry pipe group	Tube andata grup	5,10
11	C219900561	Antivakuumentil	Vacuum valve long	Valvola antidepressione G1/4" E19	10,12
12	P2049	Kupferdichtung 1/4"	Copper gasket 1/4"	Or in rame 1/4"	0,90
13	C199901550	Sicherheitsthermostat 135°C	Safety thermostat 135 C	Termostato riarmo 135°C	6,90
14	C229900559	Sicherheitsventil 3/8"	Safety valve 3/8"	Valvola di sicurezza 3/8"	25,51
15	C199900839	Füllstandssonde L: 80 mm	Fill lever probe L: 80 mm	Sonda di livello 1/B L: 80 mm	15,29
19	P1903	Heißwasserrohr	Hot water wand	Tube prelievo acqua	9,60
20	C229900520	Nippel 1/4" - 1/4"	Dowel 1/4"- 1/4"	Nipples 1/4" - 1/4"	3,90
21	C229900519	Nippel 1/4" - 1/8"	Dowel 1/4" 1/8"	Nipples 1/4" - 1/8"	3,90
22	B7400902	Kapillarrohr Kessel	Capillary tube boiler	Tube capillare X	3,95
23	C199900294	Pressostat 0,5-1,5 bar	Pressure switch	Pressostato XP 110	30,17
24	C229900520	Nippel 1/4" - 1/4"	Dowel 1/4" - 1/4"	Nipples 1/4" - 1/4"	3,90
25	C229901576	Kupferrohr Pressostat	Copper pipe gange boiler	Tube D6 pressostato	7,95
26	P9013	Dichtung Heizung Edelstahl	Seal heater	Guarnizione resistenza	3,02
27	P7014.1	Heizung 230V 1400W	Heating 230 V 1400W for Rota	Resistenza 230V 1400W	40,39
27	US1000	Heizung 110V/1400W	Heating 110 V 1400W for Rota	Resistenza 110V/1400W	43,24
28	P2010	Unterlegscheibe 0 8	Washer 0 8	Rondella piane A2 0 8	0,10
29	C309900127	Sechskantmutter M8 V2	Hex nut M8 V2	Dado M8 V2	0,10
30	P7014.2	Kessel Inox (Wärmetauscher)	Boiler Inox	Caldaia	178,44
31	P6104	Gewindestift M8 x 16 VA Plan	Threat pin M8 x 16 VA flat	Grano M8 x 16 VA punta piana	0,40
32	P3003.1	Kesselhalterung/ Bügel	Boiler bracket	Staffa caldaia	6,50
33	P2010	Unterlegscheibe 0 8	Washer 0 8	Rondella piane A2 0 8	0,10
34	C309900127	Sechskantmutter M8 V2	Hex nut M8 V2	Dado M8 V2	0,10
35	P6102	Mutter M5 A2	Nut M5 A2	Dado M5 A2	0,10
36	P2043	Unterlegscheibe D5,3	Waher D5,3	Rondella D5,3	0,09
38	B7432517	Pumpenmanometer	Pump pressure gauge with ECM	Manometro pompa	28,07
37	B7432516	Kesselmanometer	Boiler pressure gauge with ECM	Manometro caldaia	28,07
39	P7050	Kesselisolierung	Boiler insulation	Isolazione	16,95

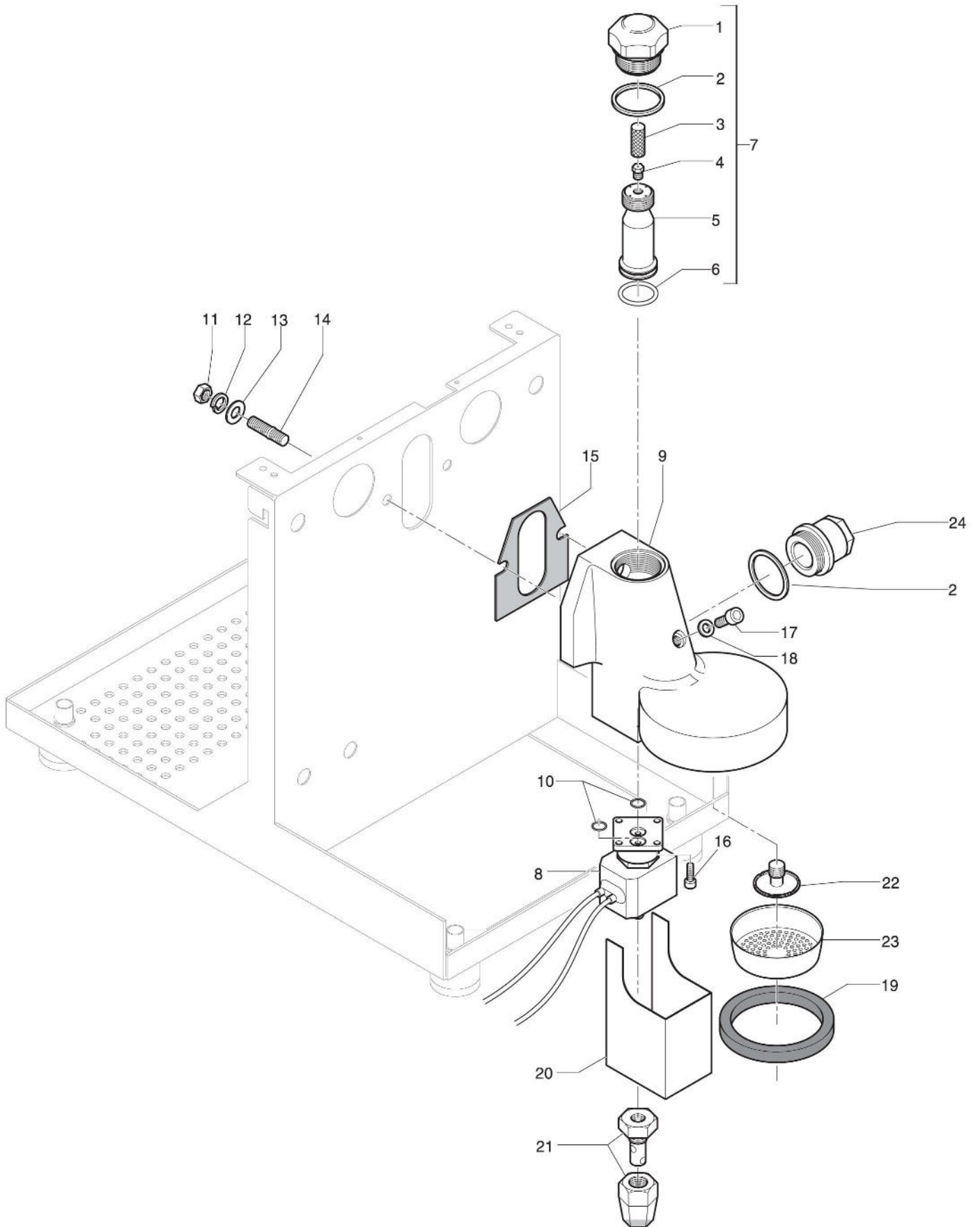
Drawing 04



Elektronika Profi Due - Table 4

Pos.	Artikelnr./ item no./ num.art.	Bezeichnung	Description	Descrizione	Preis/ price/ prezzo in €
1	P6003.11	Anschluss QS	Adapter QS	Adattatore rub. a leva	2,80
2	P6003.10	Teflon Dichtung PTFE 24 x 19 x 2	Gasket teflon PTFE 24x19x2	Guarnizione teflon PTFE 24 x 19 x 2	1,95
3	P6003.7	Feder V QS	Spring V QS	Molla valv. rub. a leva	1,61
4	P6003.9	Ventilstift für QS	Plug valve QS	Valvolina rub. a leva	11,20
5	C329900682	Mutter (halb) 1/4"	Nut (half) 1/4"	Mezzo dado 1/4"	0,74
6	P6003.8	Korpus QS	Corpus QS	Corpo rub. a leva cromato	35,95
7	P6003.12	Gegenmutter QS	Counter nut QS	Controdado rub. a leva 3/8	2,65
8	P6015	Teflondichtung für Ventil	Teflon gasket for valve	Guarnizione teflon per rubinetto	0,49
9	P6003.13	Feder F QS	Spring F QS	Molla per lancia acqua a leva	1,61
10	P6003.15	Oring OR-6 7,2 x 1,9	Gasket OR-6 7,2x1,9	OR-6 7,2 x 1,9	0,48
11	P6003.14	Kugelpfanne QS	Ball pan QS	Bussola a sfera per rub.a leva	2,20
12	P6003.7	Feder V QS	Spring V QS	Molla valv. rub. a leva	1,61
13	P6003.5	Öffnung QS Ventil	Nozzle QS valve	Perno porta-OR/ apertura rub. a leva	3,90
14	P6003.6	Oring 113	OR 113	OR 113	0,48
15	P6003.4	Knopf QS	Knob QS	Pastiglia inox x rub. leva c/bloc.	2,90
16	P6003.3	Inox Hebel QS	Inox lever QS	Asta inox c/sfera att.M8 x rub.leva	3,90
17	P6003.2	Inox-Einsatz Ring QS	Gasket inox QS	Inserto inox x dado rub. a leva	2,10
18	P6003.1	Mutter Hebelventil QS	Nut lever valve QS	Dado x rub. a leva cromato	8,10
19	C439900840	Brühhebelgriff M8	Lever handle M8	Manopola gruppo M8	4,55
20	P6003	Dampf/Heisswasserventil (nicht enthalten 8, 9, 10, 11, 19)	Steam/Hotwater valve (not included 8, 9, 10, 11, 19)	Rub. vapore/acq. a leva (non comprese 8, 9, 10, 11, 19)	42,00
21	P6002	Dampfrohr für Serie IV	Steam wand for serie IV	Tubo vapore serie IV	24,90
22	P6002.1	OR Dampfdüse	OR steam nozzle	OR per tubo vapore inox	0,46
23	P6002.4	Dampfdüse 2-Loch	Steam nozzle 2 holes	Spruzzatore vapore 2 fori	4,95
23	P6002.6	Dampfdüse 4-Loch	Steam nozzle 4 holes	Spruzzatore vapore 4 fori	4,95
23	P6002.3	Dampfdüse 5-Loch	Steam nozzle 5 holes	Spruzzatore vapore 5 fori	4,95
24	P6003.KD	Dampfventil QS komplett	Steam valve QS complete	Rub. vapore a leva completo	71,45
25	P6003.KH	Heißwasserventil QS komplett	Hot water valve QS complete	Rub.acqua a leva completo	73,45
26	P6001.1	Heißwasserauslaß komplett	Hot water discharge complete	Spruzzatore valvola acqua	9,95
27	P6002.2	Gummiisolation Dampfhahn	Rubber insulating steam/hot water wand	Isolante tubo vapore/acqua	2,10
28	P6002.5	Nuss Dampf-Heißwasserrohr	Nut steam-/hot water wand	Calotta tubo acqua/vapore	4,65
29	C449900719	Unterer OR Nuss Dampf-Heißwasserrc	Lower OR nut steam-/hot water nut	OR inferiore calotta tubo acqu./vap.	0,49
30	P6001	Heißwasserrohr für Serie IV	Hot water wand for serie IV	Tubo acqua serie IV	26,90

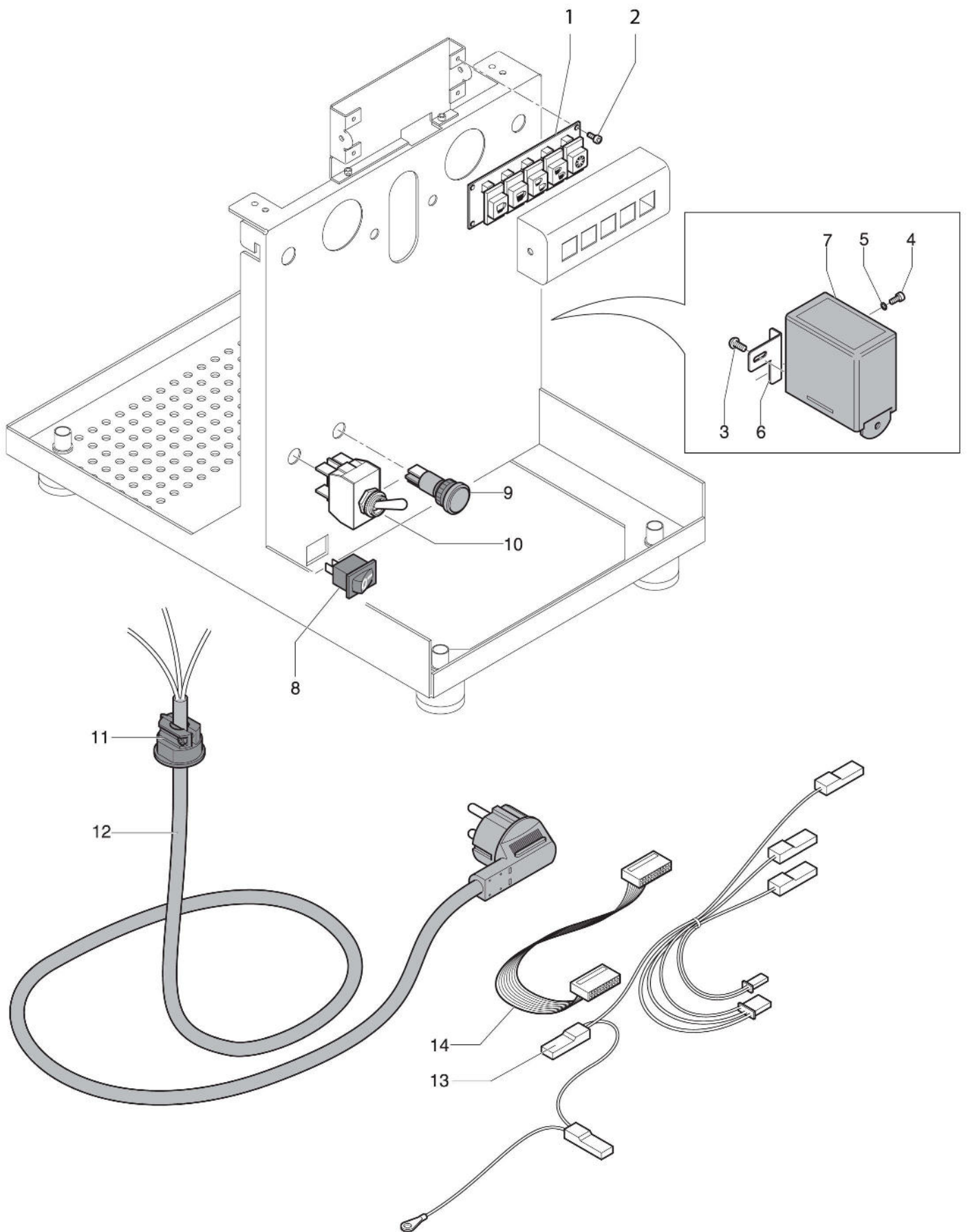
Drawing 05



Elektronika Profi II - Table 5

Pos.	Artikelnr./ item no./ num.art.	Bezeichnung	Description	Descrizione	Preis/ price/ prezzo in €
1	P1000.2	Verschraubung Brühgruppenzylinder oben	Upper fitting group cylinder	Copertura superiore cannotto	36,05
2	C469900420	Dichtung Stopfel Gigleur	Gasket plug gigleur	Guarnizione tappo gigleur	0,97
3	C619900554	Metallfilter Gigleur 0,8	Inox filter 0,8	Gigleur filter 0,8	4,04
4	C229900549	Gigleur 0,8	Flow restrictor 0,8	Gigleur 0,8	0,97
5	P1000.3	Brühgruppenzylinder unten	Upper sleeve assembly	Canotto gruppo	34,05
6	C469900422	Dichtung Glocke Brühgruppe	Gasket socket brew unit	Guarnizione fungo canotto	0,97
7	P1000.1	Glocke Brühgruppe Edelstahl	Socket group stainless steel complete	Fungo canotto inox completo	69,95
8	C100001891	3 Wege Magnetventil mit Kabel V230	3way solenoid valve V230/50-60	3 Vie Elettrovolvola V230/50 CE	46,50
8	US1007	3 Wege Magnetventil mit Kabel V110	3way solenoid valve V110	3 Vie Elettrovolvola V110	46,50
9	P1007	Gruppe Korpus	Brew group body	Gruppo corpo	199,00
10	C449900786	O-Ring 2025 Viton	OR 2025 Viton 6.07x1.78	OR 2025 Viton 6.07x1.78	0,46
11	C309900127	Sechskantmutter M8 V2	Hex-nut M8 V2	Dado M8	0,10
12	P2011	Unterlegscheibe offen 0,8	Plain washer open 0,8	Rondella grower A2 0 8 UNI1751	0,18
13	P2010	Unterlegscheibe 0,8	Plain washer 0,8	Rondella piane A2 0 8 UNI6592	0,08
14	C309900131	Gewindestift M8 x 31 ASTM A193	Allen screw M8x31 ASTM a193	Tie rod M8 x 31 ASTM A193	0,40
15	C449900767	Dichtung Brühgruppe am Gehäuse	Housing gasket brew group	Guarnizione gruppo/ frontalino	1,51
16	B7817004	Schraube Zylinder M4x10 A2	Srew cylinder M4x10 A2	Vite TPS M4x10	0,24
17	C309900164	Schraube Zylinder M6x10	Screw cylinder M6x10	Viti TCI M6x10	0,25
18	C469901132	Teflondichtung 10x6x1	Teflon gasket 10x6x1	Guarnizione teflon 10x6x1	0,59
19	C449900229	Gruppendichtung H=8,0mm	Group gasket H=0,8mm	Guarnizione sottocoppa	5,00
20	P3545	Abdeckung Gruppe	Cover brew group	Copertura gruppo	18,90
21	P6512	Auslauf Gruppe	Discharge brew group	Scarico gruppo frangiacqua	9,90
22	C229901128	Sprühverteiler Gruppe	Sprayer brew group	Diffusore gruppo	6,95
23	C519900103	Duschensieb E61	Shower screen E61	Doccetta E61	5,84
24	P1006	Verschluss Gruppe	Cap brew group	Tappo camera infusione	9,90

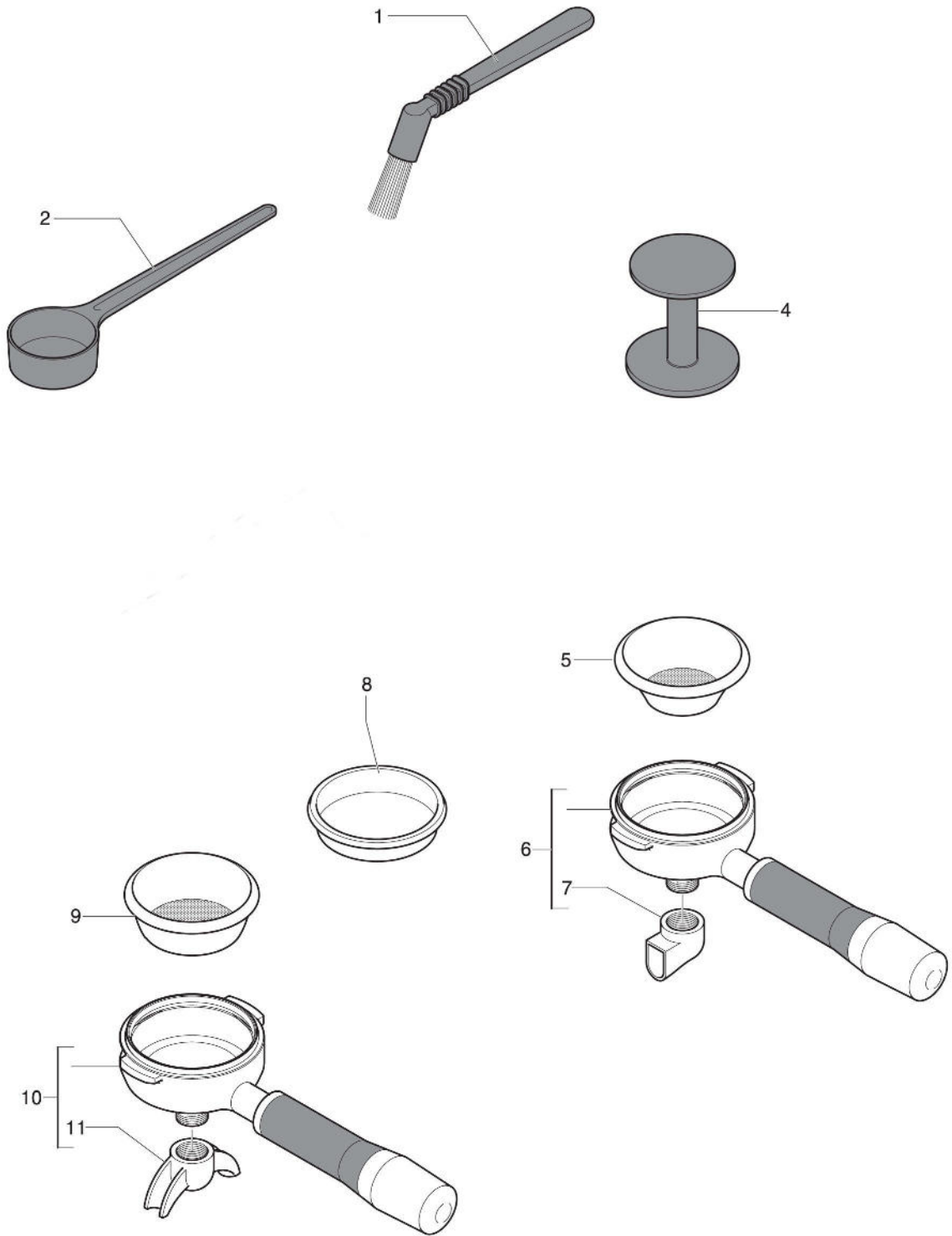
Drawing 06



Elektronika Profi II - Table 6

Pos.	Artikelnr./ item no./ num.art.	Bezeichnung	Description	Descrizione	Preis/ price/ prezzo in €
1	P4006	Tastatur für Elektronika	Keypad for Elektronika	Pulsantiera	75,00
2	P6106	Schraube linse M3x6 A2	Lens-head srew M3x6 A2	Vite bombata M3x6 A2	0,09
3	P2008	Schraube Zylinder M5x10	Srew cylinder M5x10	ViteTCI M 5x10	0,12
4	P2022	Schraube Linse M4x10 A2	Screw lens M4x10 A2	Viti TCI M4x10 A2	0,11
5	P2004	Zahnscheibe 0,4	Lock washer 0,4	Rondella dent. est 0,4	0,10
6	P3005	Blech Halterung Elektronik	Sheetmetal holder for controlbox Elektro.	Staffa centralina Elektronik	3,50
7	P4007	Elektronik	Controlbox	Centralina	143,75
7	US1006	Elektronik	Controlbox	Centralina	143,75
8	P9114	Schalter Wassert./Festwasseranschluß	Switch water tank/fixed water	Interuttore	6,05
9	B7633618	Kontrolllampe grün 220/240V	Control lamp green 220/240V	Lampada spia verde 220/240V	4,04
10	C199900087	Ein/Ausschalter Metall	On/off switch metal	Interuttore levetta inox	11,20
11	C439900086	Zugentlastung/ Kabelklemme	Cable brace/cable clip	Fissacavo/morsetto	1,99
12	P2035	UK Netzkabel 3x1,5 1,80m lang	UK power cord 3x1.5 1.80m long	UK cavo rete 3x1,5 1,80 lungo	9,90
12	P2036	AUS Netzkabel 3x1,5 1,80m lang	AUS power cord 3x1.5 1.80m long	AUS cavo rete 3x1,5 1,80 lungo	9,90
12	P2034	US Netzkabel 3x1,5 1,80m lang	US power cord 3x1.5 1.80m long	US cavo rete 3x1,5 1,80 lungo	9,90
12	C199900957	Anschlusskabel Schucko	Cable connection 3x1.5	Cavo Schuko 3x1.5 2	8,00
13	P6053.1	Kabelbaum Elektronika Profi II	Cable loom Elektronika Profi II	Cablaggio Elektronika Profi II	39,80
14	C199900270	Flachbandkabel	Flat band cable		12,00

Drawing 07



Elektronika Profi II - Table 7

Pos.	Artikelnr./ item no./ num.art.	Bezeichnung	Description	Descrizione	Preis/ price/ prezzo in €
1	R210	Reinigungspinsel für Duschensieb	Cleaning brush for shower screen	Spazzolino per doccia	2,48
2	C639900710	Messlöffel	Measuring spoon	Misurino	5,06
4	C639900764	Stopfer/Tamper Plastik	Tamper plastic	Pressino	5,06
5	C619900104	Tassensieb 7g	Filter 7g	Filtro 7g	5,84
6	89424	Filterträger 1 Auslauf Chrom/schwarz	Filter holder 1 spout chrome/black	Portafiltro 1 beccuccio cromato/nero	58,78
7	C229900562	Auslauf 1 Tasse	Spout 1 cup	Beccuccio RC 1 via alto cromato	5,06
8	C619900106	Blindsieb	Blind filter	Filtro cieco	5,84
9	C619900105	Tassensieb 14g	Filter 14g	Filtro 14g	5,84
10	89425	Filterträger 2 Ausläufe Chrom/schwarz	Filter holder 2 spouts chrome/black	Portafiltro 2 beccucci cromato/nero	58,78
11	C229900566	Auslauf 2 Tassen breit	Spout 2 cups wide	Beccuccio RC 2 vie alto cromato	5,06