

GAGGIA® RI9604/01-41-42-47 (SUP049EU)

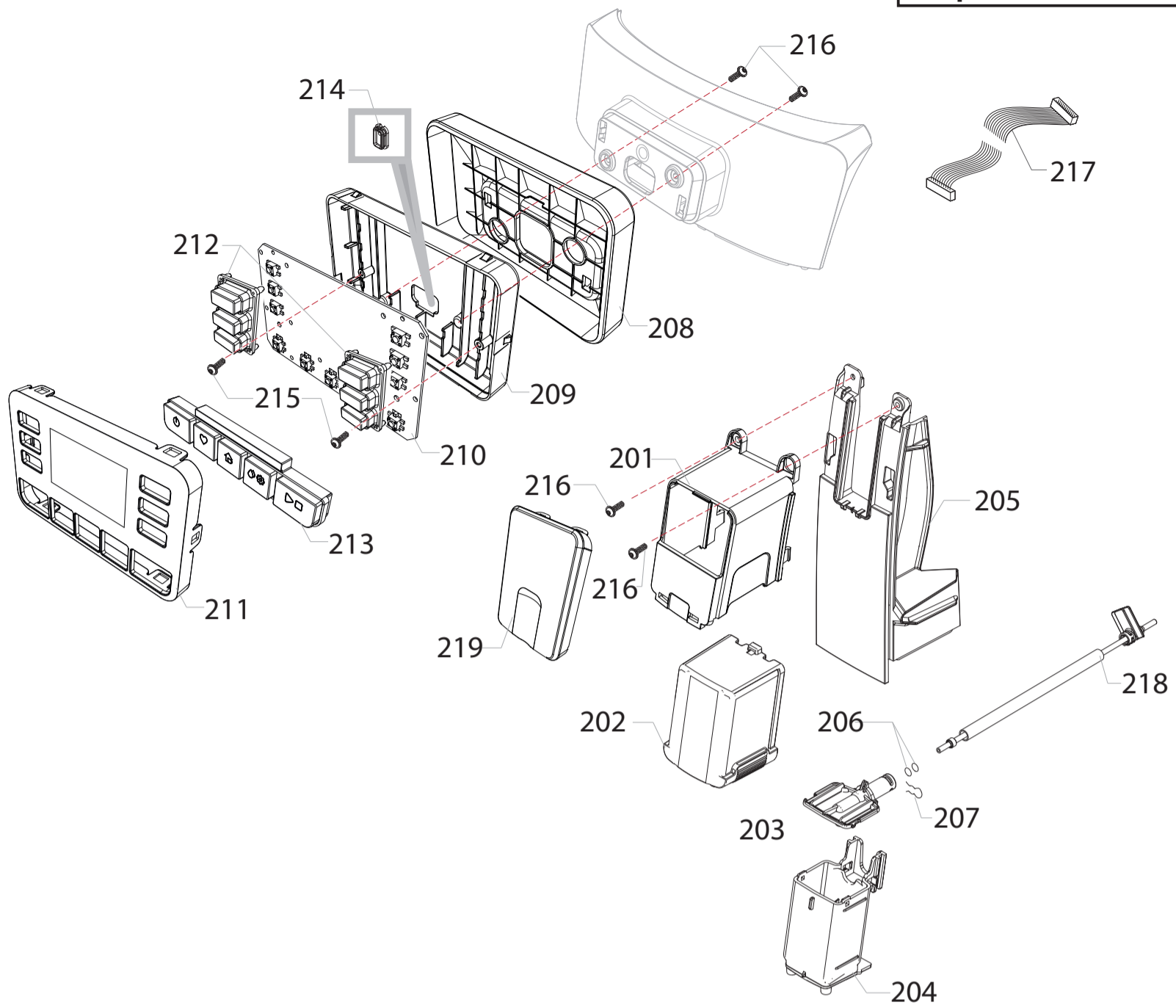
CE Cod.886960401010-886960441240-886960442240-886960447540

POS	12NC	DESCRIPTION	NOTE	POS	12NC	DESCRIPTION	NOTE
101	421946017941	KLUBERLUB NH1 11-222 TUBE 5GR.		138	421944017971	BLK PWR/CPU BOARD PROTECTION V2 P0057	220-230V
102	996530011867	BRUSH FOR CLEANING			421944050551	GRY PWR/CPU BOARD PROTECTION V2 P0057/UL	120-127V
103	996530025808	BLK POWER CABLE SCHUKO L=1200	⚠	139	421944022751	BLK HINGE FOR REAR CASING XSM.	
	996530009627	BLACK POWER CABLE BRAZIL 10A V2 L=1200	RI9604/42 ⚠	140	421944022731	BLK HINGE FOR DOOR RIGHT SIDE XSM	
	996530069926	BLACK POWER CABLE BRAZIL L EQUALS 1200	RI9604/41 ⚠	141	421945004371	DISPL.BOX GAG.CADORNA	
	996530025843	POWER CABLE SJT3 USA BLACK UL L=1200	⚠	142	421944058831	BLK COF.GRINDER SOUNDPROOFING COV.V3 NPR	
104	421944033301	BLK ABS COFFEE MEASURE SMART		143	996530007819	SCREW TCB TORX 10 3,5X12 PLAST.ZN-N	
105	421944053591	BA/SS UPPER CASING COVER INS.V2 NPR/H-T		144	421944016761	SCREW TCB TORX 10 3,5X12 PLAST.ZN-NI	
106	996530039604	STICKER FOR WATER HARDNESS TEST		145	996530067437	BLK CAPACIT.SENSOR DEADLOCK INSERT XSM	
107	421944057611	T/GRY BEAN C.CON.LID W/SEAL S/SC.NP5/H-T		146	996530069857	STEEL PLATE FOR DOOR MAGNET XSM	
108	421944040481	TRANSP/GRY GROUND COF.HOPPER LID SMRA		147	996530050555	MAGNET FOR FLOAT SUPERAUT.	
109	421944053291	TRANSP/GRY BEAN COFFEE CONTAINER NPR		148	996530013156	SCREW TCB TORX 10 3X8 PLAST.ZN-B	
110	421941301541	M/BLK UPPER CASING COVER V2 NPR/H		149	421946000111	DOOR MICROSWITCH V3 NPR UL ASSY.	⚠
111	421945003091	ANT. FRONT PANEL S/SCR. CAD. OTC		150	421946500481	KIT PS-E INSERT FOR CAD.PLUS MILK PREST	
112	NOT AVAILABLE			151	996530072693	BLACK DRIP TRAY LOCKING INSERT V2 NPR/T	
113	996530068729	BLACK LEFT SIDE CASING NPR		152	996530062034	PLAIN WASHER 4,3X16 UNI 6592 GAL	
114	421941264392	BLK COFFEE GRINDER SUPP.PLATE V3 NPR/T		153	996530000487	HOT WATER TUBE SPRING P124	
115	421941282513	BLK CASING BOTTOM INSERT V3 NPR		154	421941308921	KIT SPARES BLK DRIP TRAY V3 NPR/T	
116	421945003051	M/BLK CASING BOTTOM CAD.		155	421945008031	KIT SP.WATER GEN.CONT.NAT/GRY CAD PRES.	
117	421324705256	TRANSPARENT SILICONE FOOT		156	421945003021	ANT. CASING BOTTOM COVER CAD.	
118	421945006871	ANT.DUMP BOX CAD		157	421945003041	M/BLK BOX REST CUPS CAD.	
119	421944013031	BLK DRIP TRAY V3 NPR/T ASSY.		158	421945002991	REST CUPS ASSY CAD.	
120	421941304791	RED/3003 FLOAT FOR DRIP TRAY XSM		159	421944026522	BLK CASING BOTTOM V6C NPR/E	
121	421944054531	SA/SS GRATE FOR DRIP TRAY NP5/T		160	996530013165	SCREW TCB TORX 10 3,5X16 PLAST.ZN-B	
122	421944040061	BLK LID FOR WATER CONT.VALVE V2 P0049					
123	421944040781	BLK GASKET FOR WATER CONT.VALVE V2 P0049					
124	421944040071	BLK WATER CONT.VALVE INSERT V2 P0049					
125	996530001831	SS SPRING FOR WATER CONTAIN.VALVE P0049					
126	996530013571	OR ORM 0190-10 EPDM					
127	996530029115	WHITE WATER CONTAINER EXT.FILTER ASSY.					
128	421944056301	NAT/GRY WATER CONTAINER V2 NPR ASSY					
129	421945006851	ANT WATER TANK FRONT COVER CAD					
130	421944040591	M/BLK RIGHT SIDE DOOR V4 NPR					
131	421941306721	CPU+SW WATER LEVEL SENSOR V3 ASSY.	⚠				
132	421946000081	3P.CONN.WATER LEVEL V2 CLP UL ASSY.	⚠				
133	996530068749	BLK CAPACIT.SENSOR LOCKING INSERT NPR	⚠				
134	996530072437	CUP SOCKET V3 EN 60320 C 13	⚠				
135	421945010741	M/BLK REAR CASING V2 NPR					
136	996530068728	BLACK REAR CASING PROGRAM.INSERT NPR					
137	421945001752	MAIN+SW CAD 230V ASSY	⚠				
	421946500321	MAIN+SW CAD 120V ASSY	⚠				

IMPORTANT REPAIR INSTRUCTIONS: Only use genuine Gaggia spare parts to replace critical components.

The warranty of your Gaggia product is void if you do not use genuine Gaggia spare parts to repair critical components of your appliance.

The critical components are indicated with a warning triangle ⚠ in the service exploded view and/or service manual.



GAGGIA®

RI9604/01-41-42-47 (SUP049EU)



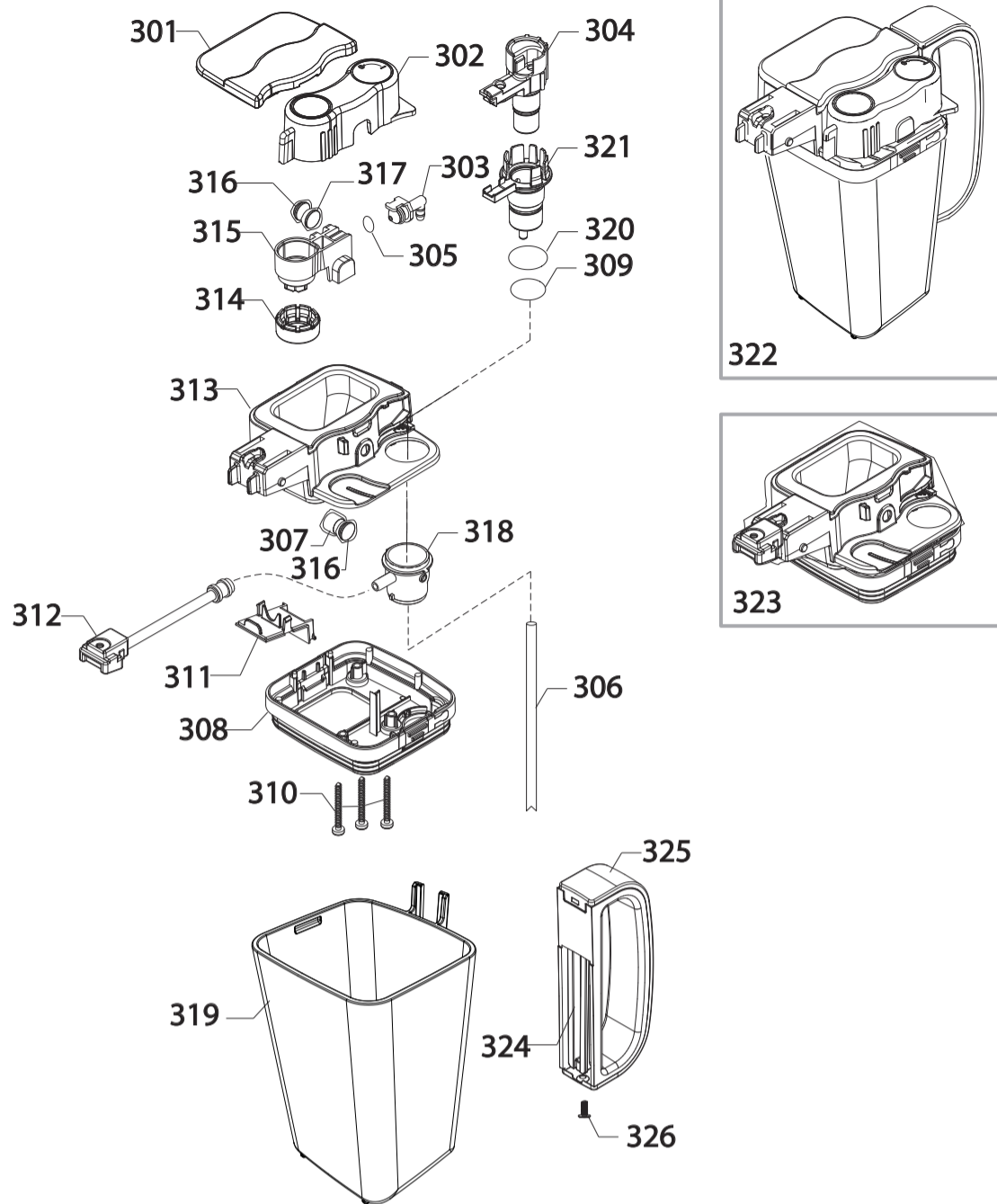
Cod.886960401010-886960441240-886960442240-886960447540

POS	12NC	DESCRIPTION	NOTE	POS	12NC	DESCRIPTION	NOTE
201	421945003061	M/BLK COFF.DISPENSER EXTERNAL BODY CAD.					
202	996530068698	BLACK COFFEE DISPENSER MOBILE PART NPR					
203	421944086481	BLK COFFEE DISPENSER BODY LID V2 NPR					
204	421944086511	BLK COFFEE DISPENSER BODY V3 NPR					
205	421945005971	ANT.CASING COVER V2 CAD					
206	996530013564	OR 2015 SILICONE PTFE/FDA					
207	996530048885	SS FORK FOR TUBE D=4					
208	421946500071	SILVER REAR SUPPORT FRAME CAD.					
209	421945003161	BOX					
210	421945006123	CPU+SW GAG CAD PRESTIGE OTC 220-230V	⚠				
	421946501021	UI_TFT+SW CAD. PRES 120-127V ASSY	⚠				
211	421945008041	KIT FRAME+TFT CAD					
212	421945003261	BLK UPPER KEYBOARD CAD.					
213	421945003251	BLK LOWER KEYBOARD S/SCR. CAD.					
214	421944025962	YLW WIRING GUIDE SEAL V2 CST/BT					
215	996530013156	SCREW TCB TORX 10 3X8 PLAST.ZN-B					
216	996530007819	SCREW TCB TORX 10 3,5X12 PLAST.ZN-N	⚠				
217	421946034791	FLAT CABLE 10P.CPU-INTERF.UTENTE FTR UL	⚠				
218	996530073357	TEFL.TUBE 2X4 L=235+PLATE+2BUSH NPR ASSY					
219	421945003071	CHROM COFF.DISPENSER FRONT INSERT CAD.					

GAGGIA®

GAGGIA CADORNA PRESTIGE

TABLE 2/6



GAGGIA®

RI9604/01-41-42-47 (SUP049EU)



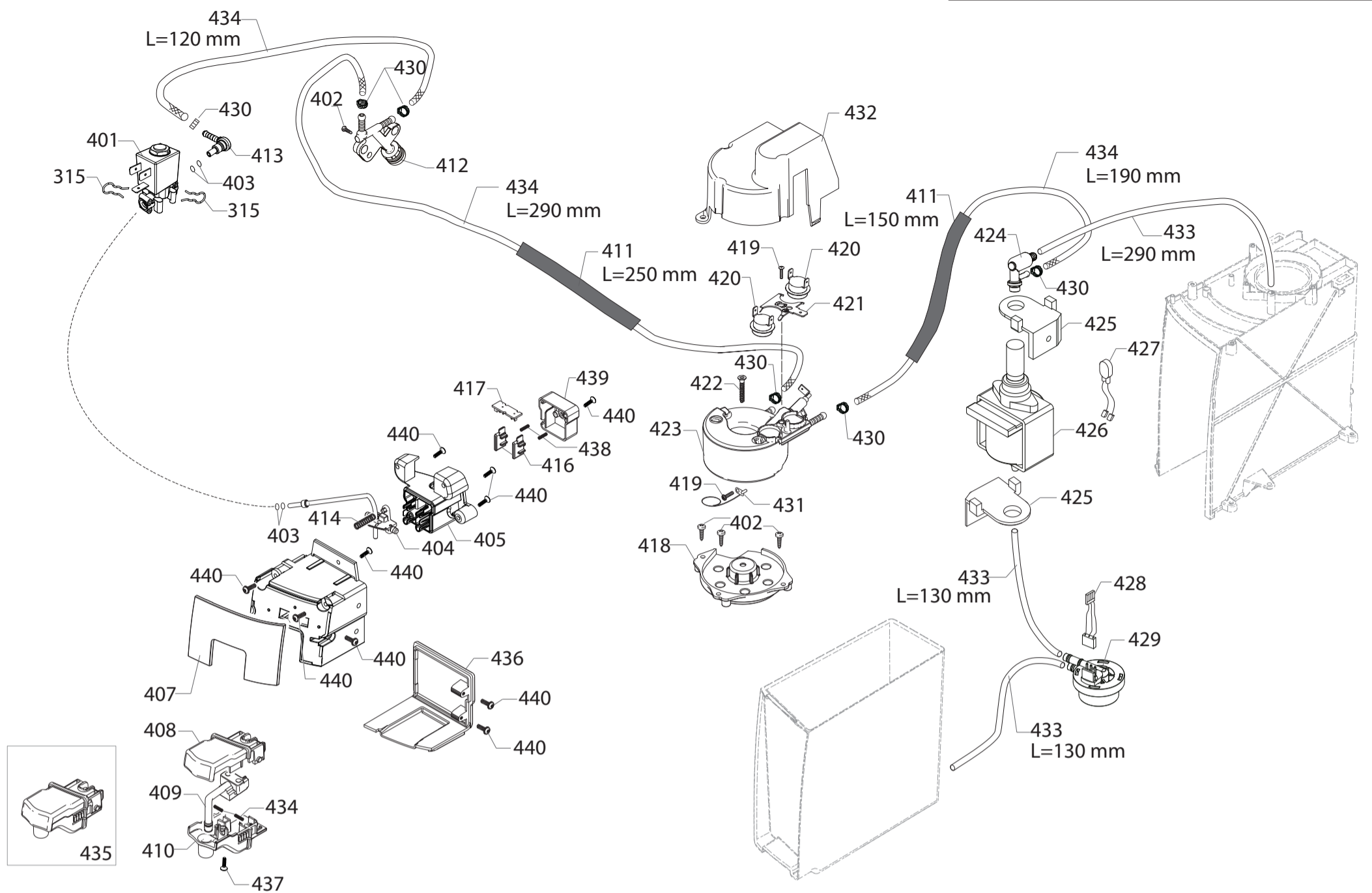
Cod.886960401010-886960441240-886960442240-886960447540

POS	12NC	DESCRIPTION	NOTE	POS	12NC	DESCRIPTION	NOTE
301	996530072681	SS/BLK CARAFE COVER PLUG NPR/T ASSY.					
302	421944054231	MATT/BLK CARAFE CAPPUC.COVER V6 NPR/T					
303	996530069788	BLK CARAFE OUTP.STEAM CONN.NPR/T ASSY.					
304	421941262132	BLACK CARAFE CAPPUC.PIN V3 NPR/T ASSY					
305	996530059392	O-RING 106 RED SILICONE					
306	996530067817	SILICONE TUBE 3,5X6 L=125 MM					
307	996530050555	MAGNET FOR FLOAT SUPERAUT.					
308	996530072645	MATT/BLACK LOWER COVER PART CARAFE NPR/T					
309	996530072691	OR ORM 0170-15 EPDM					
310	996530013165	SCREW TCB TORX 10 3,5X16 PLAST.ZN-B					
311	421944001291	BLK CARAFE REAR COVER INSERT V2 NPR/T					
312	996530069827	BLK CARAFE MILK DISPENSER TUBE NPR/T					
313	996530072649	M/BLK UPPER COVER PART CARAFE NPR/T					
314	996530069837	BLK CARAFE CAPPUC.MILK OUTPUT CONN.NPR/T					
315	996530069847	BLK CARAFE CAPPUC.CASING NPR/T					
316	996530006968	SS.INSERT FOR MAGNET MYB9					
317	996530051816	MAGNET D=9,5 X H=1,5					
318	996530071934	BLACK CARAFE COVER BUSH V2 NPR/T					
319	421945006971	SILKSCR.TRANSF.CARAFE CAD					
320	996530072674	OR ORM 0190-20 EPDM					
321	421941287432	BLACK CAPPUC.PIN SUPPORT V3 NPR/T					
322	421945006991	TRANSP-M/BLK GEN.CARAFE CAD PRES. ASSY					
323	421941308931	KIT SPARES M/BLK UPP.COV.CAR.NPR/T					
324	421941286931	BLACK CARAFE HANDLE V2 NPR/T					
325	421941287081	SS CARAFE HANDLE INS.NPR/T					
326	996530072411	SCREW TSP TORX 10 3,5X14 PLAST.SS					

GAGGIA®

GAGGIA CADORNA PRESTIGE

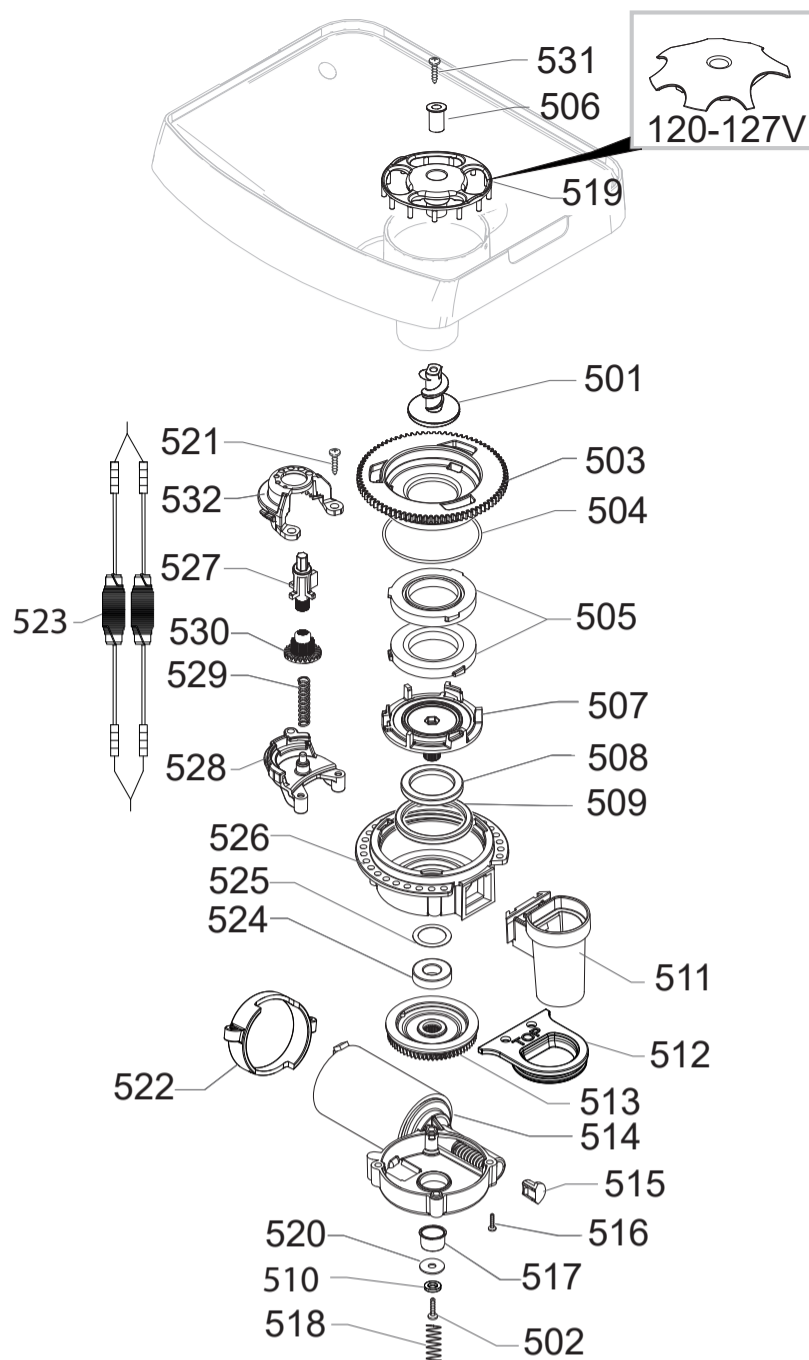
TABLE 3/7



GAGGIA® RI9604/01-41-42-47 (SUP049EU)

CE Cod.886960401010-886960441240-886960442240-886960447540

POS	12NC	DESCRIPTION	NOTE	POS	12NC	DESCRIPTION	NOTE
401	421944090341	SOLENOID VALVES V2 NPR/T 24V ASSY.	⚠	421944079601	GEN.TUB.BOILER FTR/B 1900W 230V ASSY	220-230V ⚠	
402	996530007819	SCREW TCBR TORX 10 3,5X12 PLAST.ZN-N		421944069101	WITH PART N°419-420-421-423-431		
403	996530013564	OR 2015 SILICONE PTFE/FDA			GEN.TUB.BOILER V2 XS4 1300W 120V ASSY	120-127V ⚠	
404	421944009021	WHT PREFORM.TEFLON TUBE SUPP.V2 NPR ASSY			WITH PART N°419-420-421-423-431		
405	421944087291	BLK CARAFE GRAFT BODY INSERT V2 NPR/T					
406	996530069804	BLACK CARAFE INSERT BODY NPR/T					
407	421945006961	ANT CARAFE INS.BODY FRON.COVER CAD					
408	996530072648	M/BLK UPPER BODY HOT WATER DISP.NPR/T					
409	996530069842	BLACK HOT WATER DISPENSER TUBE NPR/T					
410	996530069867	BLK LOWER BODY HOT WATER DISPENS.NPR/T					
411	996530009523	TRANSPAR.10,5X12,3 SILICONE TUBE	IN ROLL				
412	996530068077	FLOW SELECTOR FAUCET NPR					
413	421944059391	WHT CONNECT.FAST LOCK 90 SILIC.TUBE PPS					
414	996530009559	TWO WAY TEFLON TUBES SUPPORT SPRING MYB9					
415	996530048885	SS FORK FOR TUBE D.4					
416	421944086331	BLACK CARAFE MICRO INSERT V2 NPR/T					
417	421941308431	NPR_V2_CARAFE	⚠				
418	421941215942	BLK SLIM/EXSL TUB.BOILER SUPPORT V2					
419	996530069758	SCREW TCB TORX 20 M4X8 AUTOFORMING ZN-B					
420	262279998757	THERMOSTAT ONE SHOT 190°	⚠				
421	996530000997	TUB.BOILER V3 UPPER THERM.FIXING SPRING					
422	996530008024	SCREW TSP TORX 10 5X20 PLAST.ZN-B					
423	421944028841	TUB.BOILER XS4 ASSY. 230V-1900W	220-230V ⚠				
	421944046121	TUB.BOILER XS4 120V-1300W ASSY.	120-127V ⚠				
424	996530068178	L-F/BR.SAFETY VALVE 16-18 BAR ASSY.					
425	996530018056	BLACK TYPE ULKA PUMP W/BEVEL SUPPORT					
426	421941305991	ULKA PUMP EP5FMGW	230V-50HZ ⚠				
	421944081531	ULKA PUMP EFP5/S 120V-60HZ	120-127V ⚠				
	996530007782	ULKA PUMP EP5 S GW 220V-60HZ	220V ⚠				
427	996530074282	2P.CONN.PUMP SMR UL ASSY.	⚠				
428	996530073488	3P.CONN.FLOWMETER SMR UL ASSY.	⚠				
429	996530059843	TURBINE D=1,2 932-8521/00 ASSY.	⚠				
430	996530007742	OETIKER CLAMP D EQUALS 9 5 15400022	⚠				
431	996530026997	TEMPERATURE SENSOR NTC UL L=280MM	⚠				
432	421941284802	GRY BOILER INSULATING COVER NPR					
433	996530002093	S/TUBE 5X10 60SH	L=1 METRE				
434	996530009505	5X8,9 SILICONE TUBE	IN ROLL				
435	996530072651	M/BLK HOT WATER DISPENSER NPR/T ASSY.					
436	996530069799	BLK CARAFE INSERT BODY REAR COVER NPR/T					
437	996530013164	SCREW TCB TORX 10 3X12 PLAST.ZN-B					
438	996530009566	SS CARAFE MICRO INSERT SPRING MYB9					
439	996530069841	TRANSP.CARAFE BOARD COVER NPR/T					
440	421944016761	SCREW TCBR TORX 10 3,5X12 PLAST.ZN-NI					



RI9604/01-41-42-47 (SUP049EU)

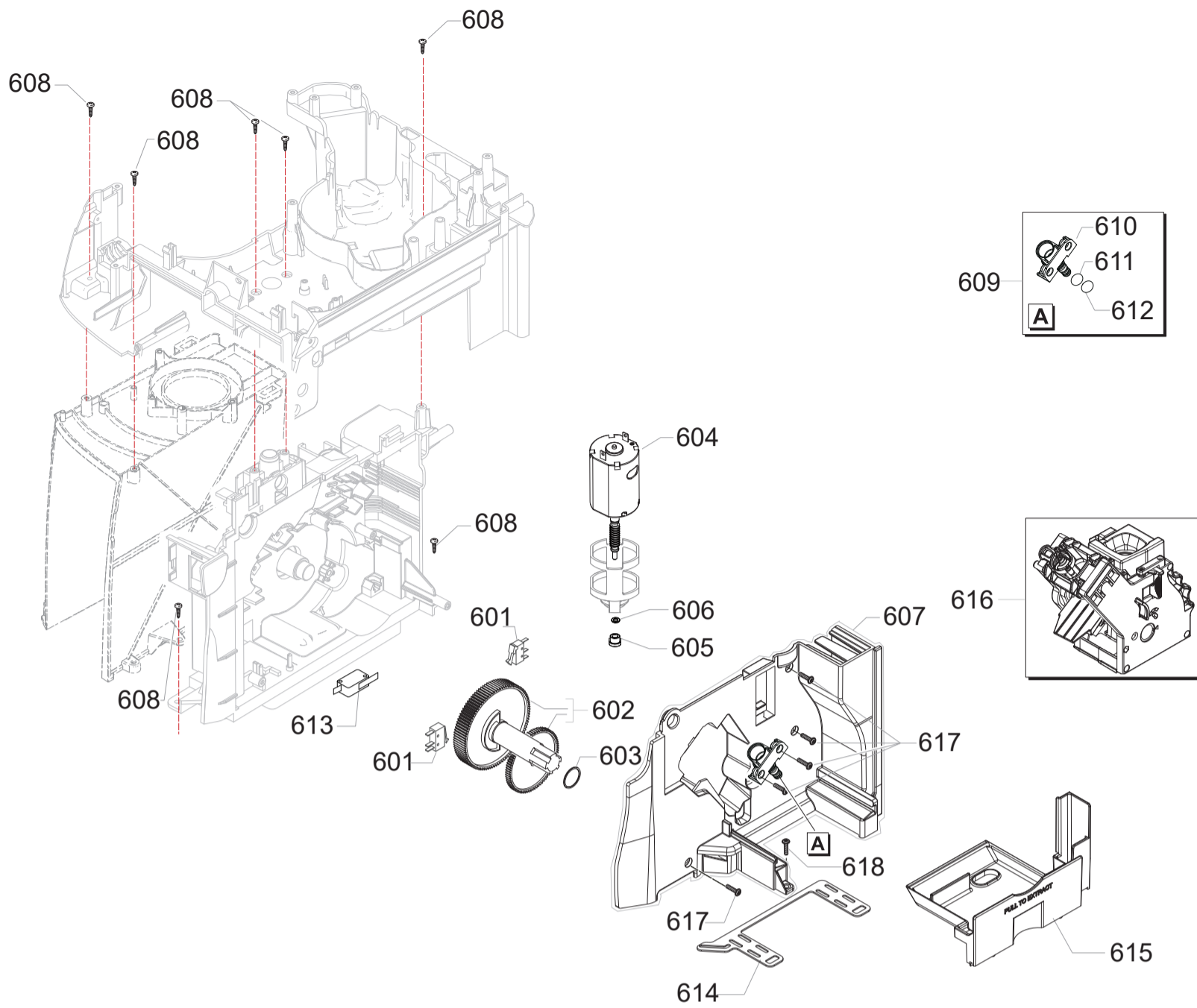


Cod.886960401010-886960441240-886960442240-886960447540

POS	12NC	DESCRIPTION	NOTE	POS	12NC	DESCRIPTION	NOTE
501	421944032692	GRIVORY INCREASE SCREW GRINDER V2					
502	996530012928	SCREW TCB TORX 20 M4X30 ZN-B					
503	421941094152	BLK COF.GRINDER UPPER GRINDER SUPPORT V2					
504	996530013577	OR ORM 0530-15 NBR FDA					
505	421944078641	MACINA PIANA 48X28 IN CERAMICA COORSTEK					
506	996530006412	BRASS BUSH BEAN CONT.FINGER PROTEC.P0057	230V				
507	996530017952	BLK LOWER COFFEEGRINDER GRINDER SUPPORT					
508	996530011183	AXIAL BEARING EKKO 342.35252					
509	996530013597	FELT RING 45,4X39,4X4					
510	996530012341	GALV.WASHER UNI 8842 A4					
511	996530068049	BLK GROUND COFF.OUTLET CONVEYOR V4 ASSY.					
512	421944060561	GRY GROUND COF.CONT.LOWER SEAL V2 SMART1					
513	996530029609	GEAR SX Z=38 FOR GRINDER MOTION ASSY.	220-230V				
	421945006091	GRY GEAR SX Z=38 FOR GRINDER MOTION	120-127V				
514	421944049151	MOTOR COFFEEGRINDER V3.2 230V ASSY.	220-230V ⚠				
	421944084071	MOTOR COFFEEGRINDER V3.2 WZN 120V ASSY	120-127V ⚠				
515	996530018139	MC V3 MOD=1,25 WORM SCREW CENTRING CAP					
516	996530012992	SCREW TCB TORX 3,5X30 PLAST.ZN-B					
517	996530001389	INSULATOR BUSH FOR GRINDER MOTOR P124					
518	996530000376	COFFEE GRINDER SUPPORT SPRING P124	230V				
519	996530007058	BLK V2 BEAN CONTAIN.FINGER PROTECT.P0057	220-230V				
	421944001511	TRANS.BEAN CONT.FINGER PROTECT.V3 NPR UL	120-127V				
520	996530012375	STEEL FLAT WASHER DI=4,3 DE=14 SP=1,5					
521	996530013165	SCREW TCB TORX 10 3,5X16 PLAST.ZN-B					
522	421941142172	BLK COFFEEGRINDER MOTOR SUPP.P124 V2	⚠				
523	421946035831	2 POLES CONN. GRINDER MOTOR FTR UL	⚠				
524	996530011182	RADIAL BEARING 61900.2RS1					
525	996530012374	STEEL CRINKLE WASHER 21,8X14X0,25					
526	996530015258	BLK UPPER BODY WITH COFFEE GROUND OUTLET					
527	421944025161	YLW BEAN COFFEE GRINDER INSERT SMR					
528	996530001314	LOWER COFFEEGRINDER GEAR SUPPORT P124					
529	996530001308	COFFEEGRINDER REGULATION SPRING P124					
530	996530001907	COFFEE GRINDING ADJUSTMENT GEAR P0049					
531	996530012992	SCREW TCB TORX 3,5X30 PLAST.ZN-B					
532	996530001296	UPPER COFFEEGRINDER GEAR SUPPORT P124					
	421945009061	GEN.MOTOR COF.GRINDER CAD 230V ASSY	220-230V ⚠				
	421944084051	GEN.MOTOR COF.GRINDER FTR/B 120V ASSY	120-127V ⚠				



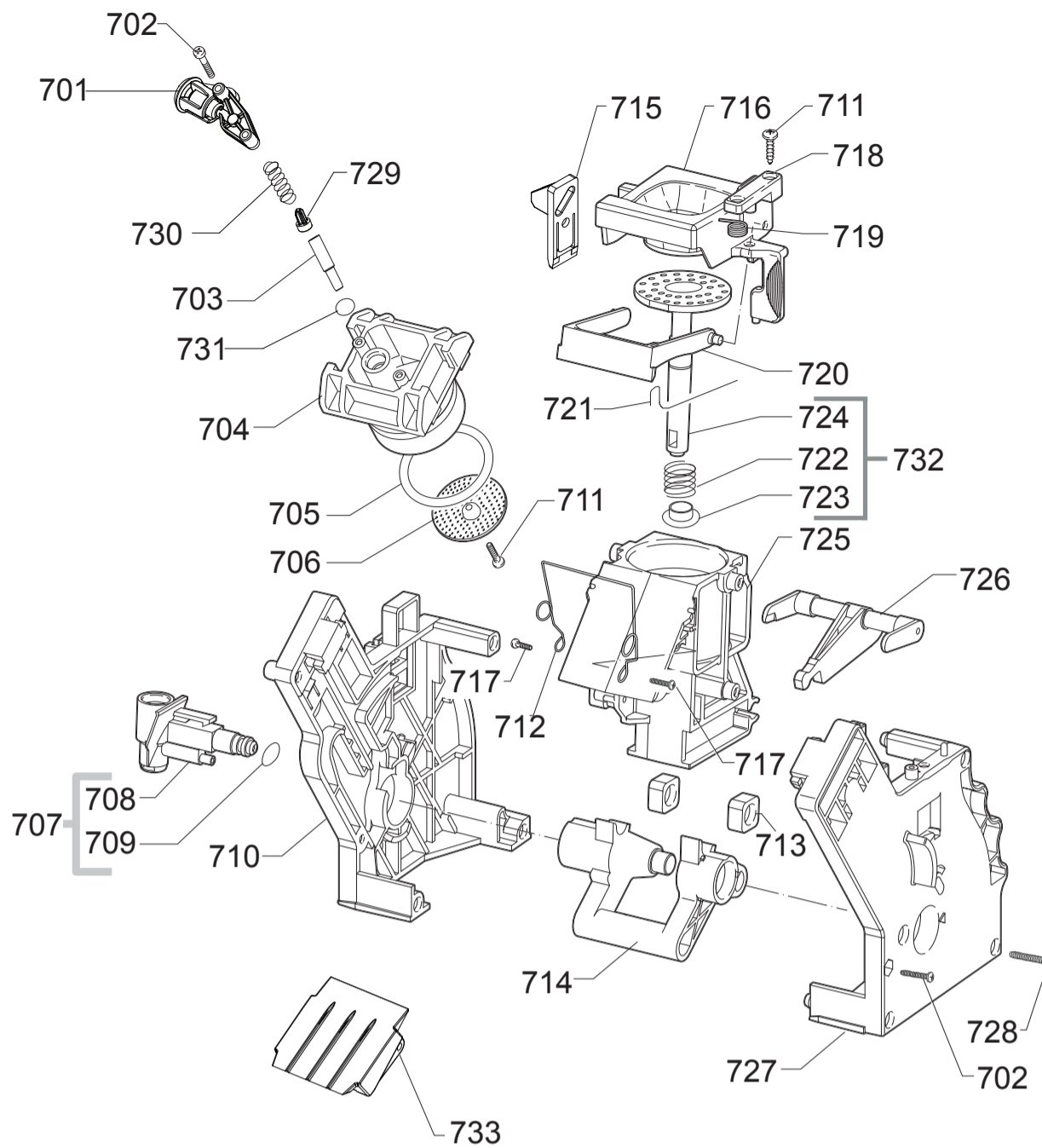
GAGGIA CADORNA PRESTIGE



GAGGIA® RI9604/01-41-42-47 (SUP049EU)

CE Cod.886960401010-886960441240-886960442240-886960447540

POS	12NC	DESCRIPTION	NOTE	POS	12NC	DESCRIPTION	NOTE
601	421946046491	MICRO+REED+MOTOR BREWUN.V10 NPR UL ASSY	⚠				
602	996530009913	SPARES KIT GEARS FOR RATIOMOTOR V2					
603	996530050569	MYLAR WASHER FOR RATIOMOTOR					
604	996530002796	MOTOR FOR RATIOMOTOR P124 ASSY.	⚠				
605	996530049898	BRONZE SINTERED BUSH FOR MOTOR RATIOMOT.					
606	996530017424	BAKELIZZATE WASHER D=5,5					
607	996530001899	BLK RATIOMOT.MOUNTING PLATE COVER P0057					
608	996530007819	SCREW TCBR TORX 10 3,5X12 PLAST.ZN-N					
609	421944060181	PIN FOR FLOW SEL.FAUCET V2 PPS P0057 AS					
610	421944059371	PIN FOR FLOW SELECT.FAUCET PPS V2 P0057					
611	996530059399	OR ORM 0090-20 SILICONE					
612	996530059419	OR ORM 0050-20 IN SILICONE					
613	421946000111	DOOR MICROSWITCH V3 NPR UL ASSY.	⚠				
614	996530072515	BLACK SEAL FOR RATIOMOTOR PLATE NPR					
615	996530068732	GREY BREW UNIT DRAWER COFFEE NPR					
616	421944085731	GRUP.CAF.8GR.5BAR V2 FTR/B NER.					
617	421944016761	SCREW TCBR TORX 10 3,5X12 PLAST.ZN-NI					
618	996530007819	SCREW TCBR TORX 10 3,5X12 PLAST.ZN-N					



RI9604/01-41-42-47 (SUP049EU)



Cod.886960401010-886960441240-886960442240-886960447540

POS	12NC	DESCRIPTION	NOTE	POS	12NC	DESCRIPTION	NOTE
701	421944065222	BLK BREW UNIT COF.OUT.SLEEVE V2 SMR ASSY					
702	996530007838	SCREW TCB TORX 10 3X25 PLAST.SS					
703	421944079291	BLK BREW UN.COUNTER PISTON TUBE V2 S0053					
704	421944079991	BLK BREW UNIT 8GR.COUNTER PISTON V2 P124					
705	996530059406	OR ORM 0320-40 RED SILICONE PTFE/FDA					
706	996530050709	PERCOLATOR DE=35,8 ELFO					
707	-	PARTICULAR NOT AVAILABLE					
708	421944050641	BREW UN.WATER INLET SLEEVE V2 SMR					
709	996530059441	OR 2025 NBR FDA					
710	996530050832	BLK BREW UNIT REAR PLATE SMART					
711	996530007951	SCREW TSP TORX 10 3X10 PLAST.SS					
712	421944025811	SS BREW UNIT SPRING H=49 PK					
713	996530050539	BLK BREW UNIT DRILLED BLOCK					
714	421944079201	YLW BREW UNIT ELBOW SHAFT V2 M5000					
715	421944046932	YLW BREW UNIT COUPLING PLATE V3 SMART					
716	996530018241	BLK BREW UNIT V2 SMART1 HOPPER DOSER					
717	996530013148	SCREW TCB TORX 10 3,5X14 PLAST.SS					
718	996530050829	BLK BREWUNIT HOPPER BLOCKING PLATE SMART					
719	996530050838	SS BREW UNIT HOPPER SPRING SMART					
720	421944079261	BLK BREW UNIT SCRAPER V2 M5000					
721	996530050455	SS BREW UNIT SCRAPER SPRING					
722	996530050627	SS BREW UNIT 8GR.PISTON SPRING					
723	996530050618	WHT BREW UNIT 8GR.-12GR.PISTON BUSH					
724	421944079491	GRY BREW UNIT INTEGR.PISTON 8GR.V4 ASSY					
725	421944079431	BLK COF.CONTAIN.BREW UNIT V4 M5000 ASSY					
726	996530001452	BLK BREW UNIT 8GR.CONNECTING ROD					
727	996530003228	BLK BREW UNIT FRONT PLATE S/SCR.SMART					
728	996530007953	SCREW TCB TORX 10 3,5X20 PLAST.SS					
729	421944081491	BREW UNIT VALVE FTR/B					
730	996530050657	SS.CONICAL SPRING					
731	996530059489	OR ORM 0060-10 NBR					
732	421944065811	GRY BREW UNIT 8GR.INT.PISTON GEN.V3 ASSY					
733	421944079341	BLK BREW UNIT CONVEYOR SLIDE L=56,3 V2					
	421944085731	BLK/YLW BREW UNIT 8GR.5BAR V2 FTR/B					

