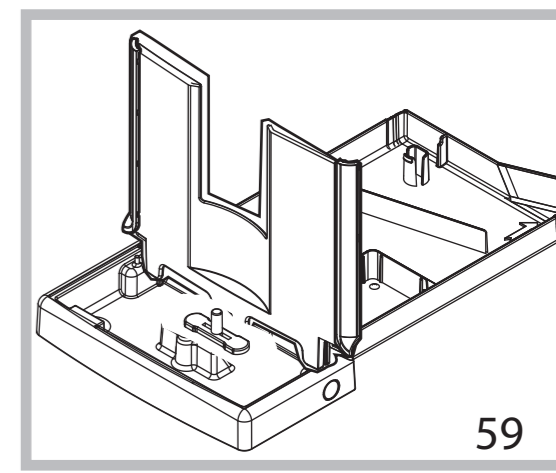
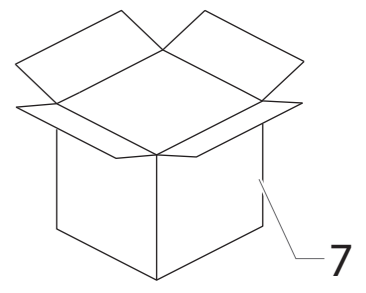
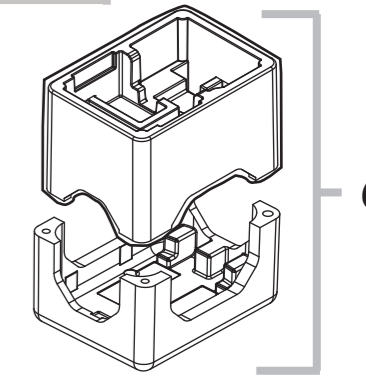
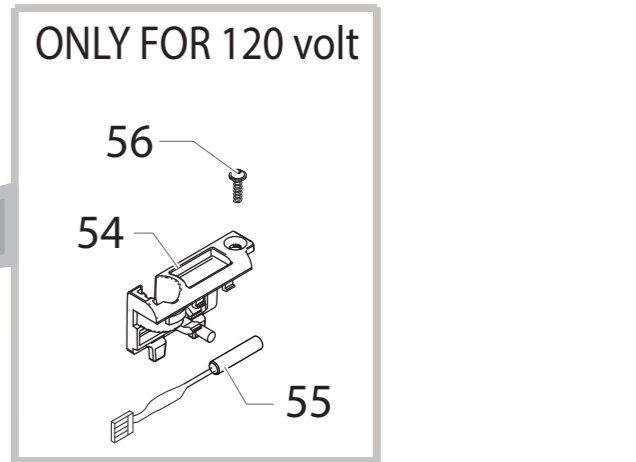
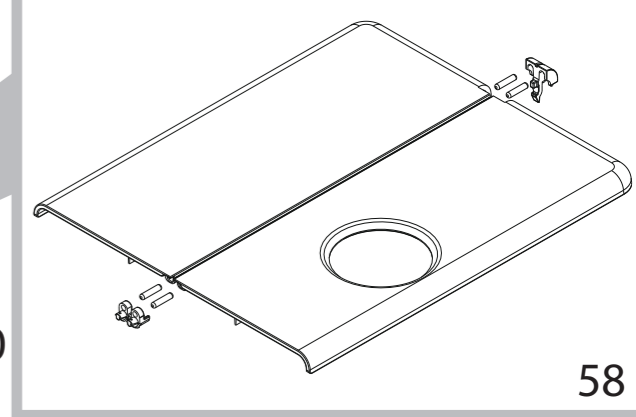
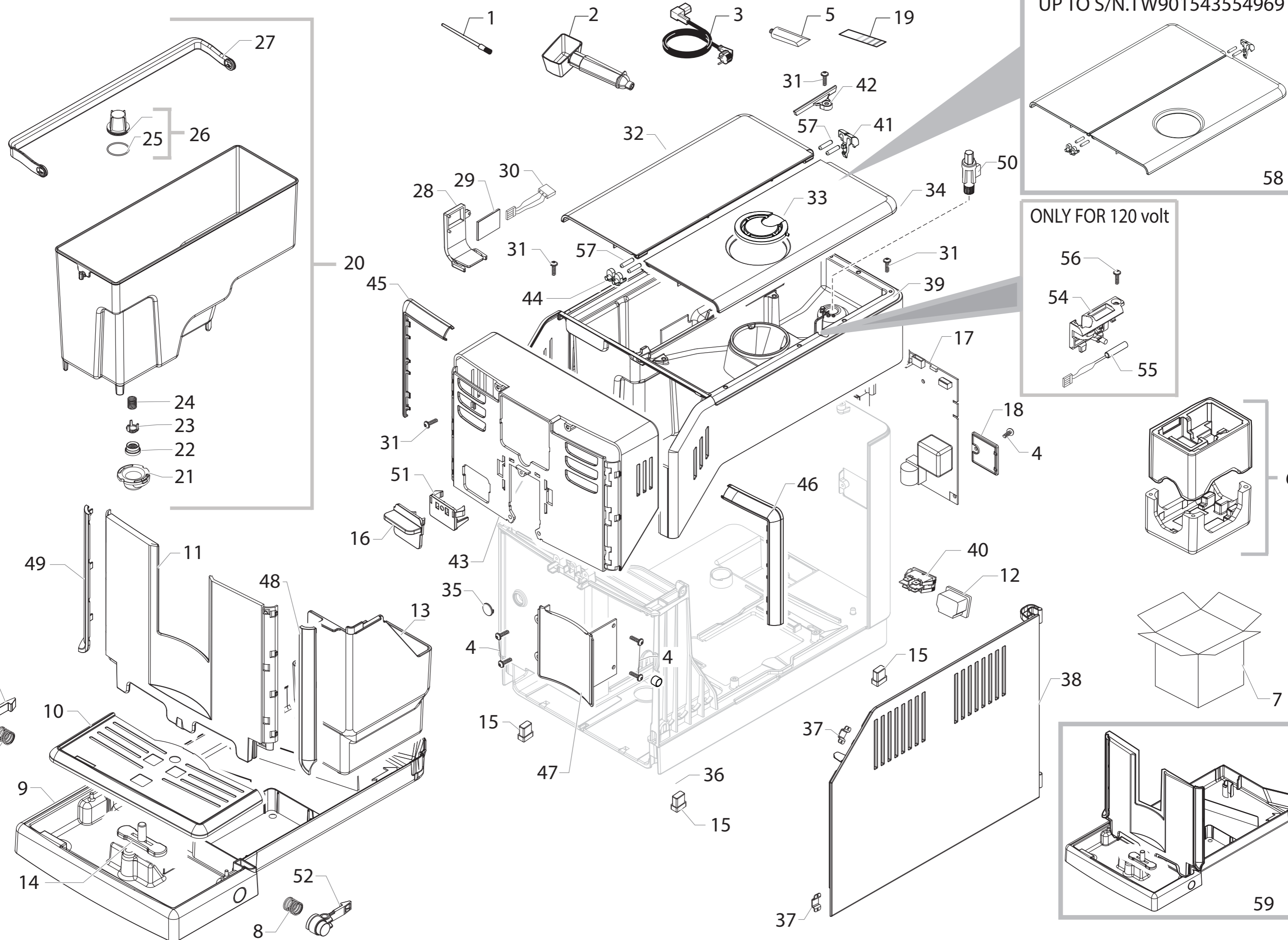
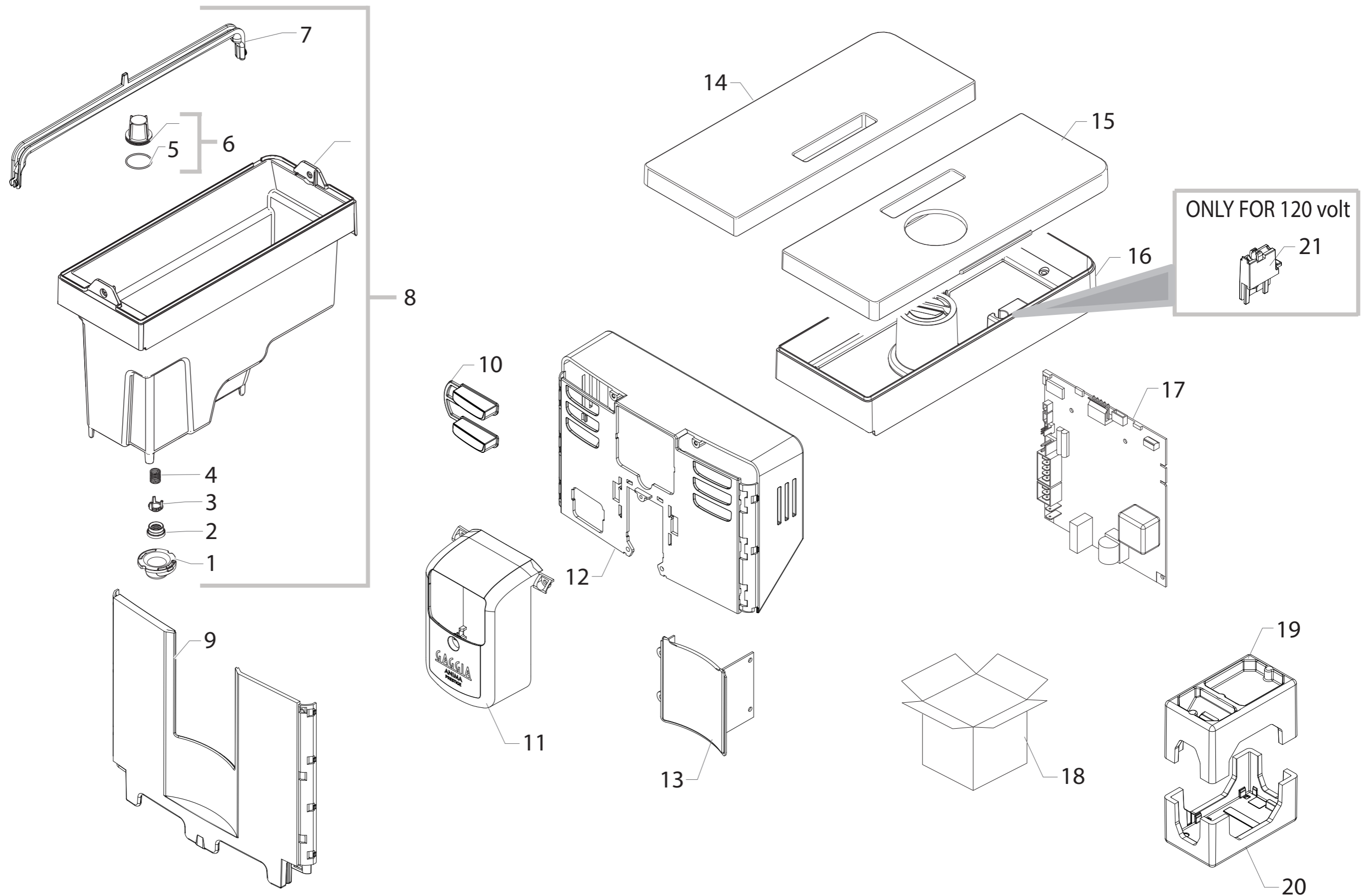


UP TO S/N.TW901543554969

ONLY FOR 120 volt

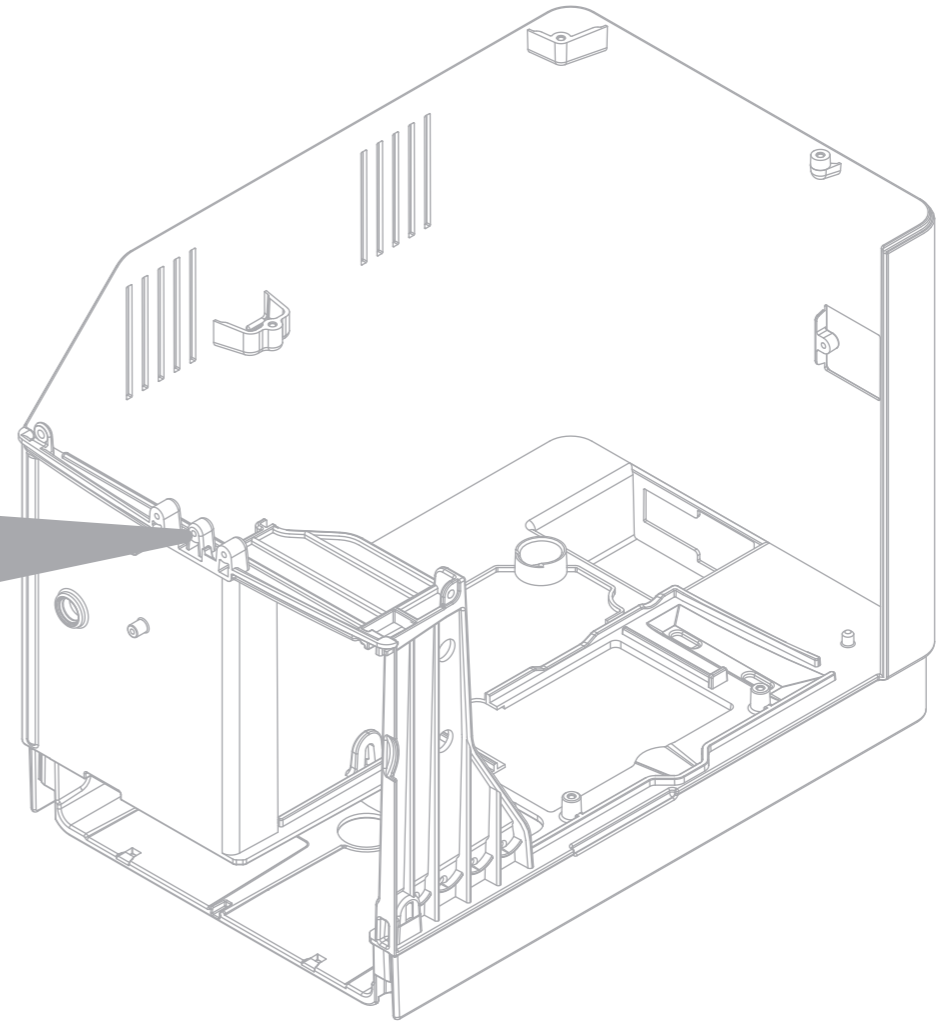
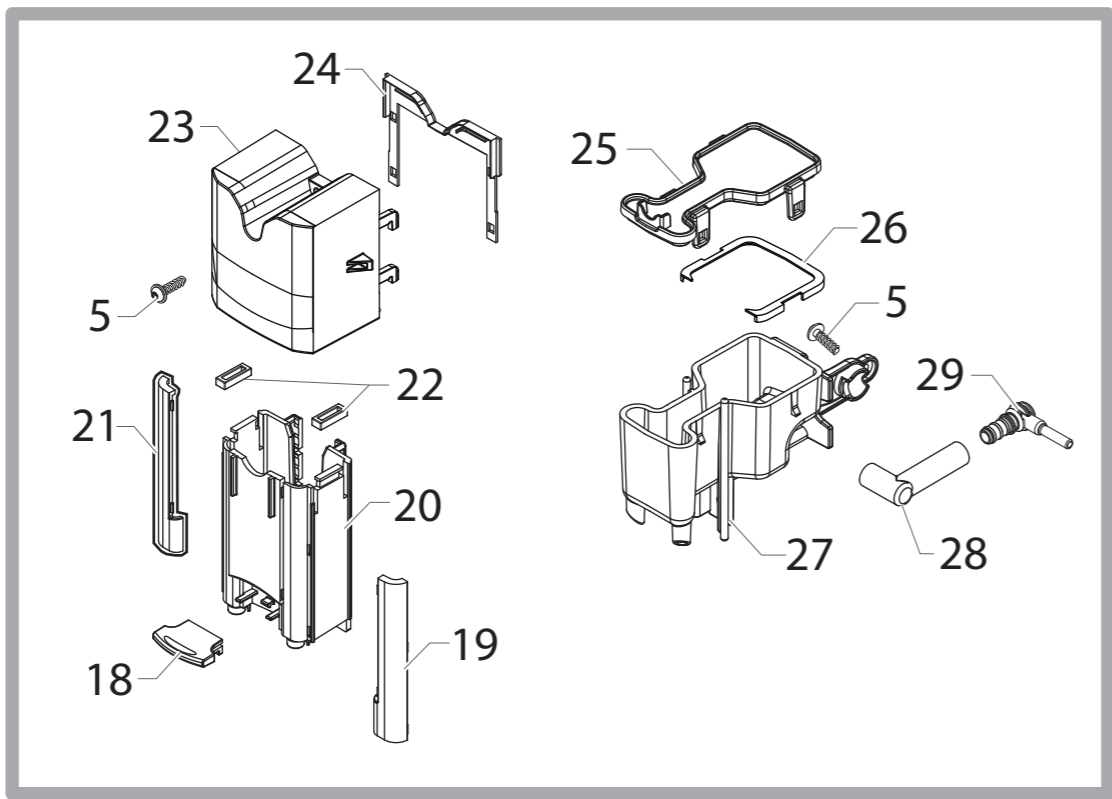
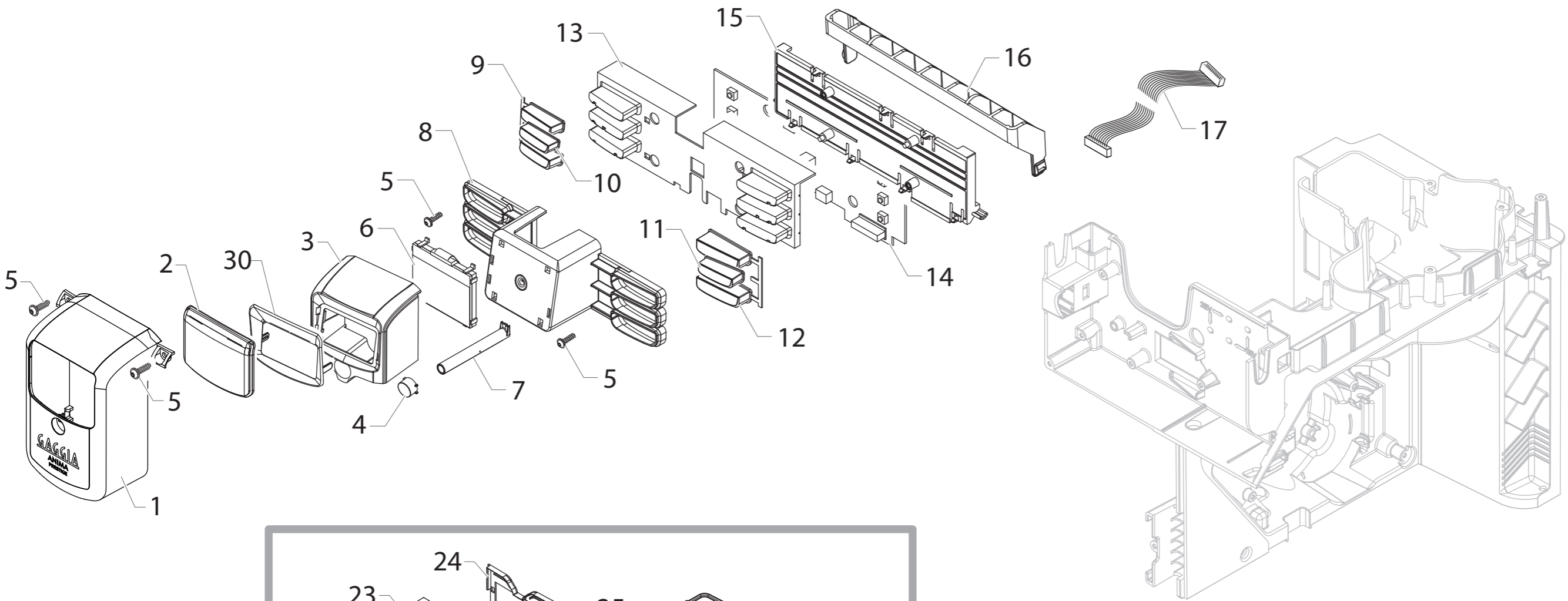


| Pos | Article-Nr.  | Description                             | Pos | Article-Nr.  | Description                              |
|-----|--------------|-----------------------------------------|-----|--------------|------------------------------------------|
| 1   | 127390100    | BRUSH FOR CLEANING                      | 41  | 421944056212 | DEEP/BLK REAR LID FIXING INSERT V2 SMRG  |
| 2   | 421944033301 | BLK ABS COFFEE MEASURE SMART            | 42  | 421944040451 | BLK CONT.SEP.INSERT SMR                  |
| 3   | 421946001591 | BLK POWER CABLE SCHUKO L=800            | 43  | 421944051261 | UPP.CAS.COVER INS.S/SCR GAG SMRG/T ASSY  |
| 3   | 11004247     | BLACK POWER CABLE RVV 3X1 CHINA L=1200  | 44  | 421944056222 | DEEP/BLK FRONT LID FIXING INSERT V2 SMRG |
| 3   | 17800019     | BLACK POWER CABLE BRAZIL L=1200         | 45  | 421944043781 | CHR.UPPER LEFT FRAME SMRG                |
| 3   | 17800330     | BLACK POWER CABLE BRAZIL L=1200         | 46  | 421944043771 | CHR.UPPER RIGHT FRAME SMRG               |
| 3   | 183921950    | POWER CABLE SJT3 USA BLACK UL L=1200    | 47  | 421944043711 | SS LOWER FRONT INSERT SMRG ASSY          |
| 3   | 183940650    | BLACK POWER CABLE AUSTRALIA L=1200      | 48  | 421944043801 | CHR.LOWER RIGHT FRAME SMRG               |
| 3   | 183970350    | BLACK POWER CABLE UK L=1200             | 49  | 421944043791 | CHR.LOWER LEFT FRAME SMRG                |
| 4   | 129913202    | SCREW TCB TORX 10 3X8 PLAST.ZN-B        | 50  | 421944025161 | YLW BEAN COFFEE GRINDER INSERT SMR       |
| 5   | 421946017941 | KLUBERLUB NH1 11-222 TUBE 5GR.          | 51  | 421944052001 | CARAFE HOLE PLUG INSERT SMRG/T-TE        |
| 6   | 421941308001 | KIT PS-E INSERT FOR BOX SMRG            | 52  | 17001506     | BLK DRIP TRAY LOCKING RIGHT INSERT SMR/T |
| 7   | 421946028761 | DISPL.BOX SMRG/T GAG ANIMA              | 53  | 17001507     | BLK DRIP TRAY LOCKING LEFT INSERT SMR/T  |
| 8   | 11000759     | HOT WATER TUBE SPRING P124              | 54  | 421944009411 | BLK REED SUPPORT SMR                     |
| 9   | 421944052811 | G/ANM DRIP TRAY SMRG/T-TE ASSY          | 55  | 17800442     | 2POLES CONNECT.SENSOR REED DUMP BOX      |
| 10  | 421944037711 | SS GRATE FOR DRIP TRAY SMRG/T           | 56  | 12000895     | SCREW TSP TORX 10 3X10 PLAST.SS          |
| 11  | 421944043651 | STEEL DRIP TRAY INSERT SMRG ASSY        | 57  | 421944061701 | SS CYL.PIN D=3.4 L=15.3                  |
| 12  | 12000280     | CUP SOCKET EN 60320 C 13                | 58  | 421941309471 | KIT SPARES CONTAINERS LIDS (B)           |
| 13  | 421944042991 | BLK DUMP BOX SMRG                       | 58  | 421941309491 | KIT SPARES CONTAINERS LIDS (D)           |
| 14  | 421941304791 | RED/3003 FLOAT FOR DRIP TRAY XSM        | 59  | 421941308151 | KIT SPARES M/BLK DRIP TRAY SMRG/H        |
| 15  | 17001556     | TRANSP.SILICONE FOOT SMR                |     |              |                                          |
| 16  | 421944052361 | CHRM.COVER FOR CARAFE HOLE SMRG         |     |              |                                          |
| 17  | 421941308351 | CPR GAG SMRG/T 230V ASSY.               |     |              |                                          |
| 17  | 421941308391 | CPR GAG SMRG/T 120V ASSY.               |     |              |                                          |
| 17  | 421941309291 | CPR GAG SMRG-BRA/P REV01 ASSY           |     |              |                                          |
| 18  | 17001484     | MATT/BLK REAR CASING PROGRAM.INSERT NPR |     |              |                                          |
| 19  | 0301.961     | STICKER FOR WATER HARDNESS TEST         |     |              |                                          |
| 20  | 17001363     | NAT/GREY WATER CONTAINER SMR ASSY.      |     |              |                                          |
| 21  | 17001366     | BLACK LID FOR DUCKBILL VALVE SMR        |     |              |                                          |
| 22  | 11003671     | TRANSP.VALVE FOR WATER CONTAINER P0049  |     |              |                                          |
| 23  | 421941157852 | GRY WATER CONTAINER VALVE INSERT P0049  |     |              |                                          |
| 24  | 11003672     | SS SPRING FOR WATER CONTAIN.VALVE P0049 |     |              |                                          |
| 25  | 140328461    | OR ORM 0190-10 EPDM                     |     |              |                                          |
| 26  | 224640200    | WHITE WATER CONTAINER EXT.FILTER ASSY.  |     |              |                                          |
| 27  | 17001322     | BLACK WATER CONTAINER HANDLE SMR        |     |              |                                          |
| 28  | 17001474     | BLACK WATER LEVEL SENSOR SUPPORT SMR    |     |              |                                          |
| 29  | 421941306721 | CPU+SW WATER LEVEL SENSOR V3 ASSY.      |     |              |                                          |
| 30  | 421946000021 | 3P.CONN.WATER LEVEL SMR UL ASSY.        |     |              |                                          |
| 31  | 12001728     | SCREW TCB TORX 10 3,5X12 PLAST.SS       |     |              |                                          |
| 32  | 421944043732 | SS WATER CONTAINER LID V2 SMRG ASSY     |     |              |                                          |
| 33  | 421944040481 | TRANSP/GRY GROUND COF.HOPPER LID SMRA   |     |              |                                          |
| 34  | 421944043722 | SS BEAN COF.CONT.LID V2 SMRG ASSY       |     |              |                                          |
| 34  | 421944056162 | SS BEAN COF.CONT.LID V2 SMRG 120V ASSY  |     |              |                                          |
| 35  | 11031523     | BLACK INFRAREDS PLATE RYL               |     |              |                                          |
| 36  | 9161.111     | MAGNET FOR FLOAT SUPERAUT.              |     |              |                                          |
| 37  | 11013220     | STEEL PLATE FOR DOOR MAGNET XSM         |     |              |                                          |
| 38  | 17001065     | MATT/BLACK RIGHT SIDE DOOR SMR          |     |              |                                          |
| 39  | 421944059171 | BLK UPP.CASING COV.W/SENS.SMRG          |     |              |                                          |
| 39  | 421944033071 | BLK UPP.CASING COV.SMRG                 |     |              |                                          |
| 40  | 242212625104 | SWI POW 2P 12A 250V FASTON GP12H B      |     |              |                                          |
| 40  | 242212625106 | SWI POW 2P 10A 250V FASTON 8500 B       |     |              |                                          |



**NOTE: THESE COMPONENTS ARE ONLY FOR EXT. VERSION**

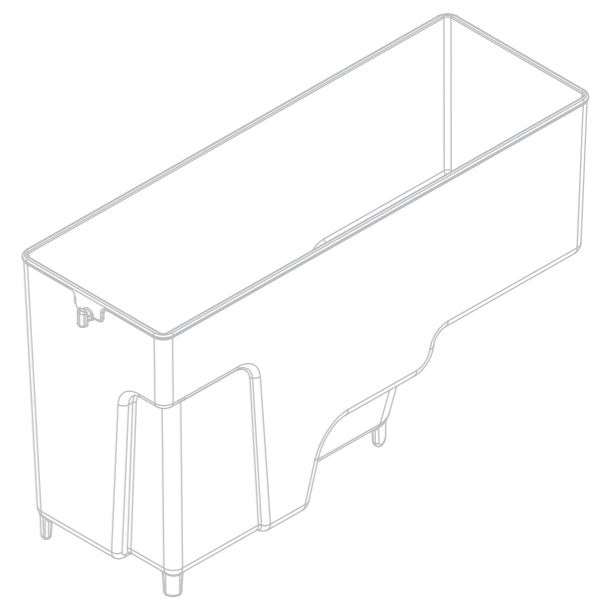
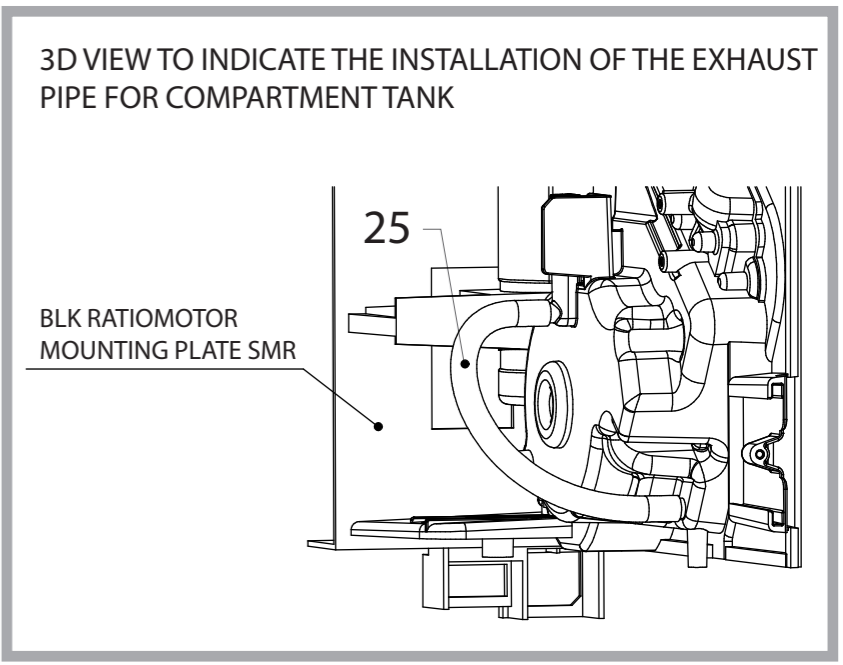
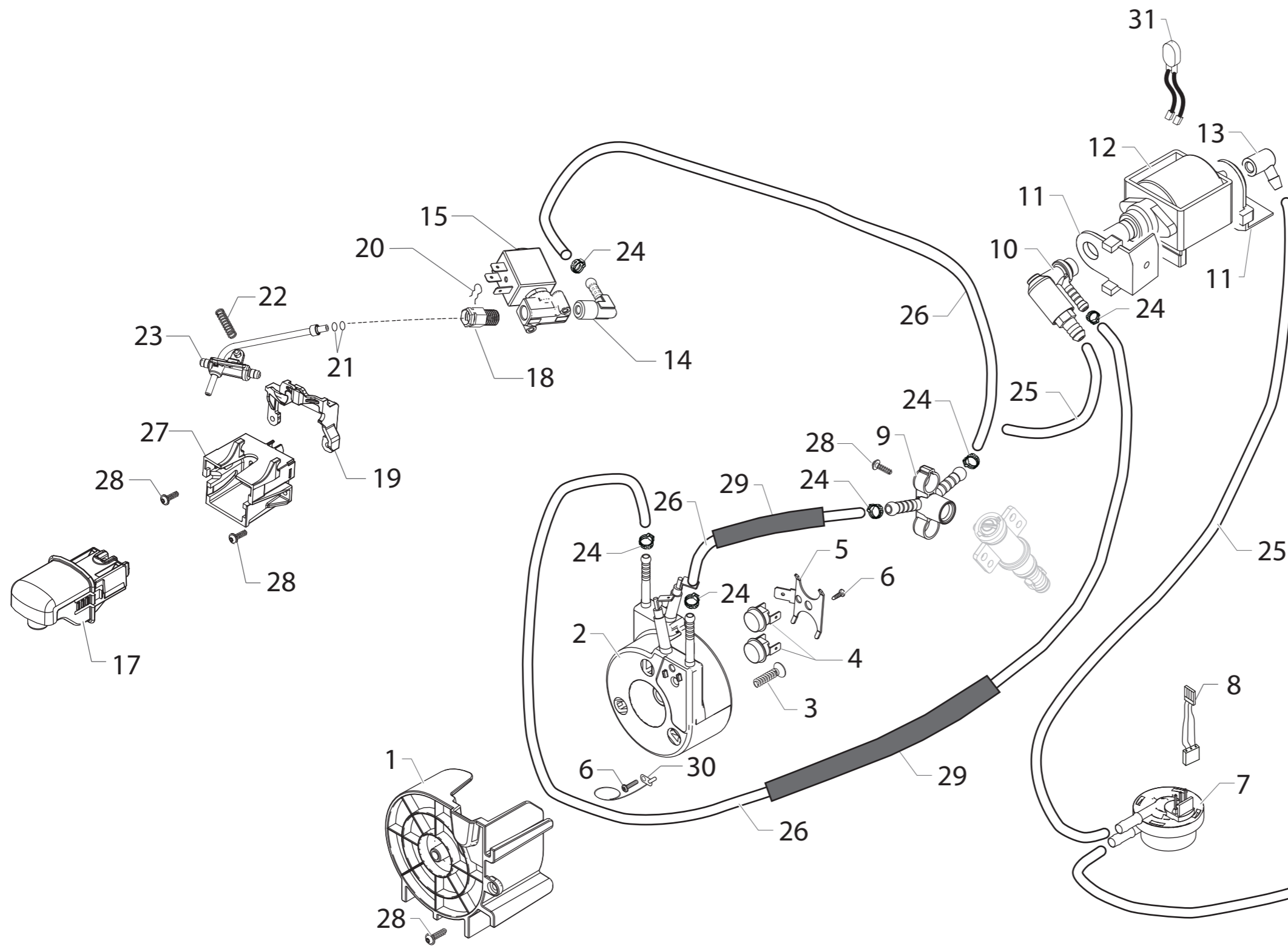
| Pos | Article-Nr.  | Description                              | Pos | Article-Nr. | Description |
|-----|--------------|------------------------------------------|-----|-------------|-------------|
| 1   | 17001366     | BLACK LID FOR DUCKBILL VALVE SMR         |     |             |             |
| 2   | 11003671     | TRANSP.VALVE FOR WATER CONTAINER P0049   |     |             |             |
| 3   | 421941157852 | GRY WATER CONTAINER VALVE INSERT P0049   |     |             |             |
| 4   | 11003672     | SS SPRING FOR WATER CONTAIN.VALVE P0049  |     |             |             |
| 5   | 140328461    | OR ORM 0190-10 EPDM                      |     |             |             |
| 6   | 224640200    | WHITE WATER CONTAINER EXT.FILTER ASSY.   |     |             |             |
| 7   | 11023155     | BLACK WATER CONTAINER HANDLE MDS         |     |             |             |
| 8   | 421944050151 | TRANSP/GRY WATER CONTAINER SMRG/TE ASSY. |     |             |             |
| 9   | 421944051331 | G/ANM DRIP TRAY INSERT SMRG/TE           |     |             |             |
| 10  | 421944059801 | CHR.LEFT BUTT.S/SCR SMRG/TE              |     |             |             |
| 11  | 421944055911 | GAG S/SCR CHR.DISPLAY COVER SMRG/TE      |     |             |             |
| 12  | 421944055281 | G/ANM UPP.CAS.COV.INS.S/SCR.GAG SMRG/TE  |     |             |             |
| 13  | 421944051361 | G/ANM CASING INSERT SMRG/TE              |     |             |             |
| 14  | 421944042421 | G/ANM WATER CONTAINER LID SMRG/TE        |     |             |             |
| 15  | 421944042951 | G/ANM BEAN COF.CONT.LID SMRG/TE          |     |             |             |
| 16  | 421944050751 | TRANSP/GRY BEAN COF.CONTAINER SMRG/TE    |     |             |             |
| 17  | 421941308751 | CPR GAG SMRG/TE 230V ASSY.               |     |             |             |
| 17  | 421941308881 | CPR GAG SMRG/TE 120V ASSY.               |     |             |             |
| 17  | 421941309311 | CPR GAG SMRG-BRA/TE REV01 ASSY           |     |             |             |
| 18  | 421946021561 | DISPL.BOX SMRG/P-H-T GAG GIGI            |     |             |             |
| 18  | 421946028751 | DISPL.BOX SMRG/TE GAG ANIMA              |     |             |             |
| 19  | 421944055261 | PS-E UPPER INSERT FOR BOX SMRG/TE        |     |             |             |
| 20  | 13001671     | PS-E LOWER INSERT FOR BOX SMR            |     |             |             |
| 21  | 421944009421 | BLK REED SUPPORT SMRO                    |     |             |             |



| Pos | Article-Nr.  | Description                              |
|-----|--------------|------------------------------------------|
| 1   | 421944055901 | GAG S/SCR CHR.DISPLAY COVER SMRG/T       |
| 2   | 421944036591 | TRANSP.GLASS FOR DISPLAY SMRG            |
| 3   | 421944032671 | BLK FRONT PANEL MEMBRANE SMRG/H-P-T      |
| 4   | 421944043621 | TRANSP.STAND-BY BUTTON S/SCR.SMRG        |
| 5   | 12000450     | SCREW TCBR TORX 10 3,5X12 PLAST.ZN-N     |
| 6   | 421941307111 | DISPLAY LCD 128X64 SMRG                  |
| 7   | 421944036581 | BLK STAND-BY BUTTON LIGHT GUIDE SMRG     |
| 8   | 421944036541 | BLK DISPLAY SUPPORT SMRG                 |
| 9   | 421944043761 | CHR.LEFT BUTT.S/SCR SMRG                 |
| 10  | 421944050181 | CHROM.INTERMED.RIGHT LEFT.S/SCR SMRG     |
| 11  | 421944051271 | CHROM.INTERMED.RIGHT BUTT.S/SCR SMRG/T   |
| 12  | 421944051281 | CHR.RIGHT BUTT.S/SCR SMRG/T              |
| 13  | 421944052721 | SILIC.KEY V2 SMRG                        |
| 14  | 421941308731 | KIT SPARES KYB - DISPLAY SMRG/P/H/T      |
| 15  | 421944036531 | BLK DISPLAY KEYB.-INTERFACE SUPPORT SMRG |
| 16  | 421944034431 | BLOCK KEY SUPP. SMRG                     |
| 17  | 421946020421 | 16P.CPU-USER INTERF.FLATCABLE SMRG       |
| 18  | 421944043831 | CHR.COFFEE SPOUT HANDLE SMRG             |
| 19  | 421944043821 | CHR.RIGHT FRAME COF.DISP.MOB.PART SMRG   |
| 20  | 421944056791 | M/BLK COF.DISPEN.MOBILE PART V2 SMRG AS. |
| 21  | 421944043811 | CHR.LEFT FRAME COF.DISP.MOB.PART SMRG    |
| 22  | 421944057331 | BLK MOBILE SPOUT INSERT V2 SMGR          |
| 23  | 421944056581 | BLK COFFEE DISPENSER LID V2 SMRG         |
| 24  | 421944046151 | SEAL FOR MOBILE SPOUT SUPP.SMGR          |
| 25  | 421944034321 | BLK COFFEE DISPENSER BODY LID SMRG       |
| 26  | 421944017651 | WHT COFFEE DISPENSER BODY SEAL SMR       |
| 27  | 421944034141 | BLK COFFEE DISPENSER BODY SMRG           |
| 28  | 17000955     | TRANS.BREW UNIT COF.OUTLET CONN.TUBE SMR |
| 29  | 17001849     | BLK BREW UNIT COFFEE OUTLET CONNECT.SMR  |
| 30  | 421944036611 | BLK DISPLAY FRAME SMRG                   |

| Pos | Article-Nr. | Description |
|-----|-------------|-------------|
|-----|-------------|-------------|

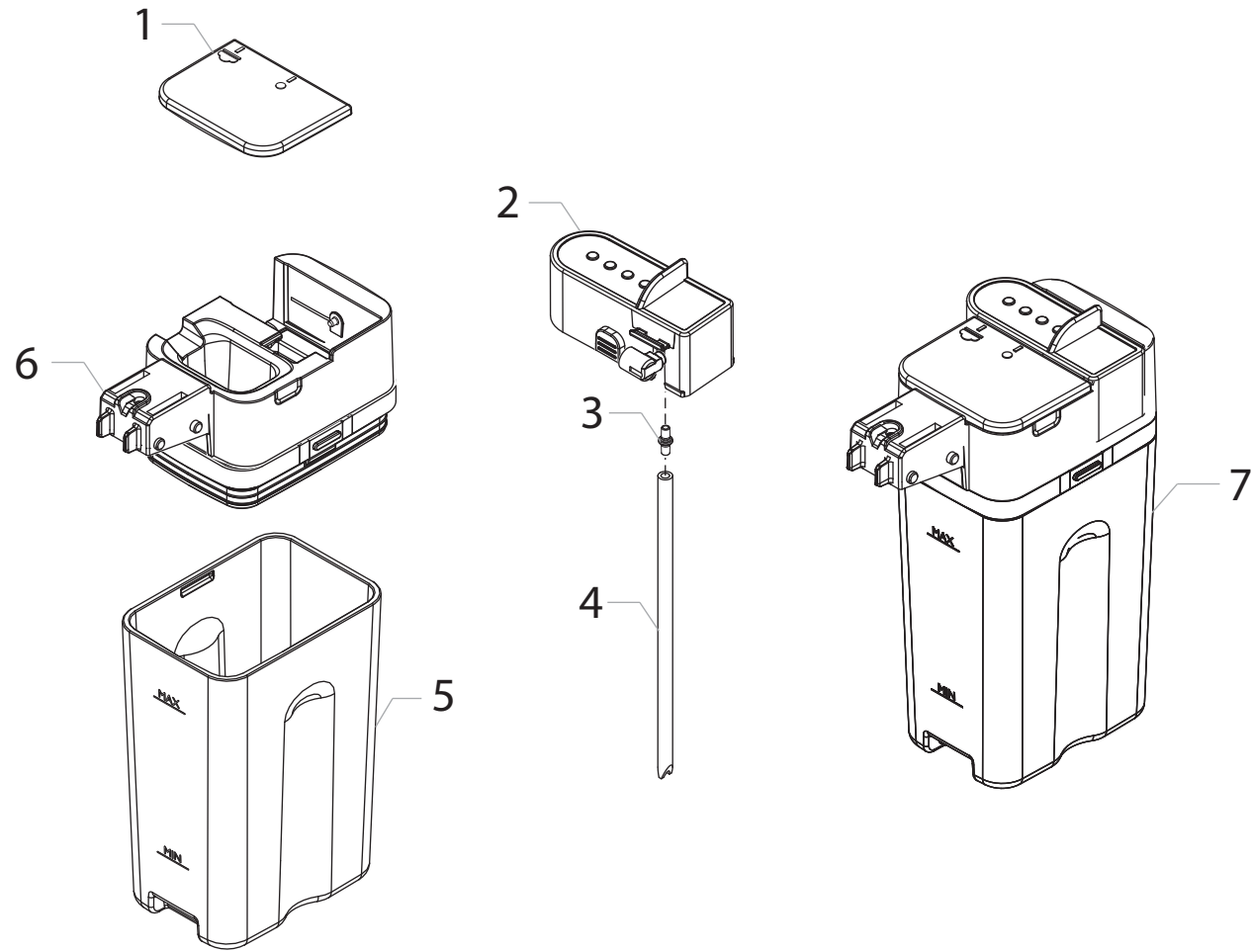




| Pos | Article-Nr.  | Description                              |
|-----|--------------|------------------------------------------|
| 1   | 421944040831 | BLK SLIM TUB.BOILER SUPPORT V2 SMR       |
| 2   | 421944046121 | TUB.BOILER XS4 1300W 120V ASSY.          |
| 2   | 421944028841 | TUB.BOILER XS4 1900W 230V ASSY.          |
| 3   | 12001280     | SCREW TSP TORX 10 5X20 PLAST.ZN-B        |
| 4   | 12001033     | THERMOSTAT ONE SHOT 190°                 |
| 5   | 11001751     | TUB.BOILER V3 UPPER THERM.FIXING SPRING  |
| 6   | 12001715     | SCREW TCB TORX 20 M4X8 AUTOFORMING ZN-B  |
| 7   | NV99.099     | TURBINE D=1,2 932-8521/00 ASSY.          |
| 8   | 17800686     | 3POLES CONNECTOR FLOWMETER SMR UL        |
| 9   | 17000727     | BLACK CONNECTOR FOR PIN BOILER SMR       |
| 10  | 11004689     | TEA/BRASS SAFETY VALVE 16-18 BAR ASSY.   |
| 11  | 149205850    | BLACK TYPE ULKA PUMP W/BEVEL SUPPORT     |
| 12  | 12000140     | ULKA PUMP EP5/S GW 230V-50HZ             |
| 12  | 12000142     | ULKA PUMP EAP5/S 120V-60HZ               |
| 12  | 12000182     | ULKA PUMP EP5/S GW 220V-60HZ             |
| 13  | 11002149     | BLACK PUMP OUTLET 90°CONNECTOR P0049/A   |
| 14  | 11024469     | L-F/BRASS CONNECTOR FOR BOILER AURA      |
| 15  | 421944029331 | 2WAY EV OT57 G1/8F. X G1/8F.24V DC 10W-B |
| 16  | 0701.081     | SPRING FOR TUBE PRODUCT 1                |
| 17  | 421944042971 | BLK HOT WATER DISPENSER SMRG ASSY.       |
| 18  | 11027572     | L-F/BRASS CONNECTOR 1/8" FOR TUBE D=4    |
| 19  | 421944008851 | BLK CARAFE GRAFT BODY INSERT SMR/T       |
| 20  | 9011.144     | SS FORK FOR TUBE D=4                     |
| 21  | 140328059    | OR 2015 SILICONE PTFE/FDA                |
| 22  | 17000006     | TWO WAY TEFLON TUBES SUPPORT SPRING MYB9 |
| 23  | 421944029721 | WHT PREFORM.TEFLON TUBE SUP.145 SMR/T AS |
| 24  | 12000892     | OETIKER CLAMP D=9,5 16700004             |
| 25  | JS01.022     | SILICONE TUBE 5X10 60SH IN ROLL          |
| 26  | 16000380     | 5X8,9 SILICONE TUBE IN ROLL              |
| 27  | 421944008431 | BLK CARAFE INSERT BODY SMR/T             |
| 28  | 12000450     | SCREW TCB TORX 10 3,5X12 PLAST.ZN-N      |
| 29  | 16000540     | TRANSPAR.11X12,8 SILICONE TUBE IN ROLL   |
| 30  | 17800628     | TEMPERATURE SENSOR NTC UL L=550MM        |
| 30  | 190800100    | TEMPERATURE SENSOR NTC UL L=280MM        |
| 31  | 17800635     | 2POLES CONNECTOR PUMP SMR UL             |
| 100 | 421944046301 | GEN.TUB.BOILER XS4 1900W 230V ASSY.      |
| 100 | 421944055941 | GEN.TUB.BOILER XS4 GAG 1300W 120V ASSY   |

| Pos | Article-Nr. | Description |
|-----|-------------|-------------|
|-----|-------------|-------------|

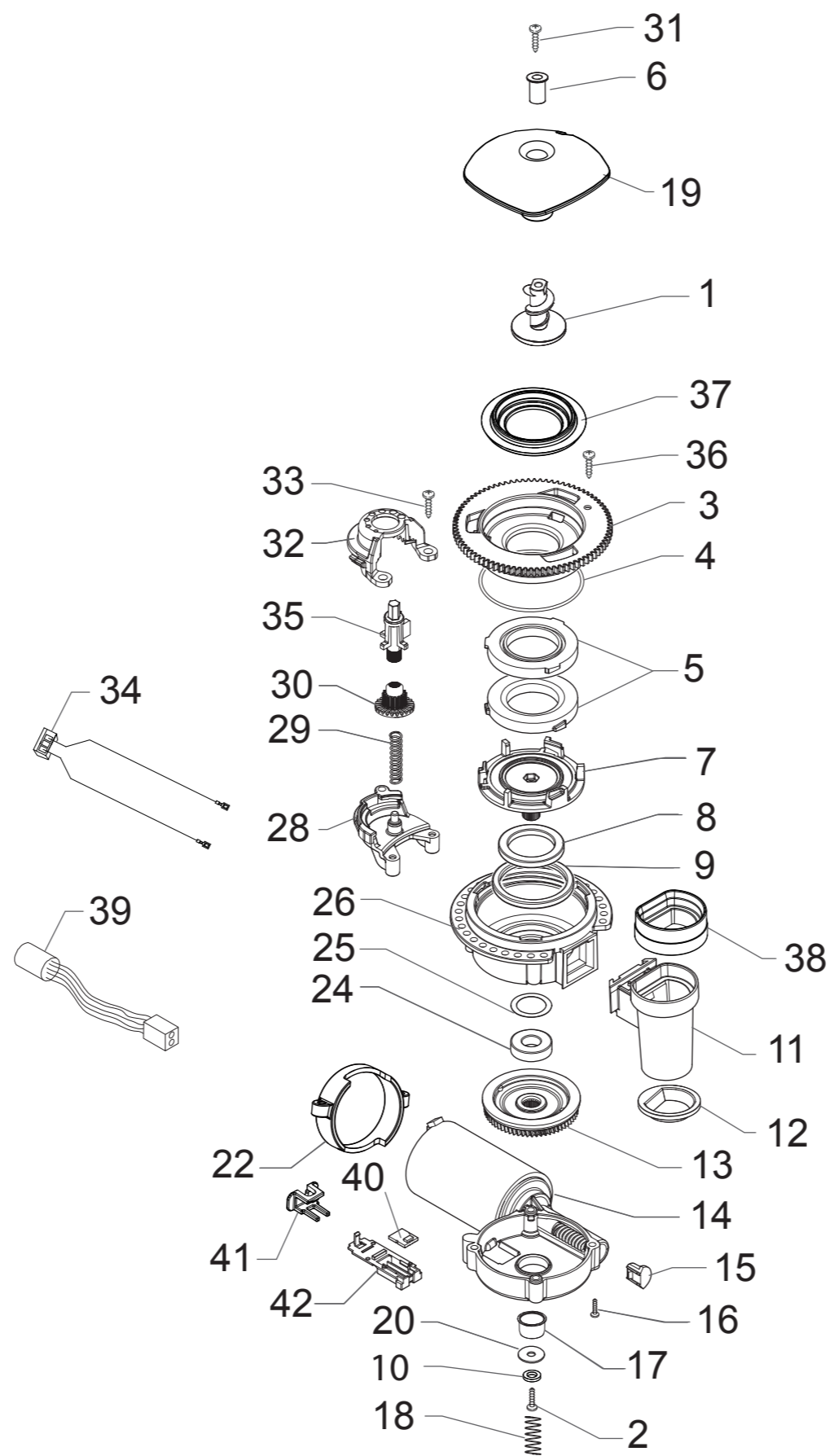




**E74221****RI8762, RI8763**

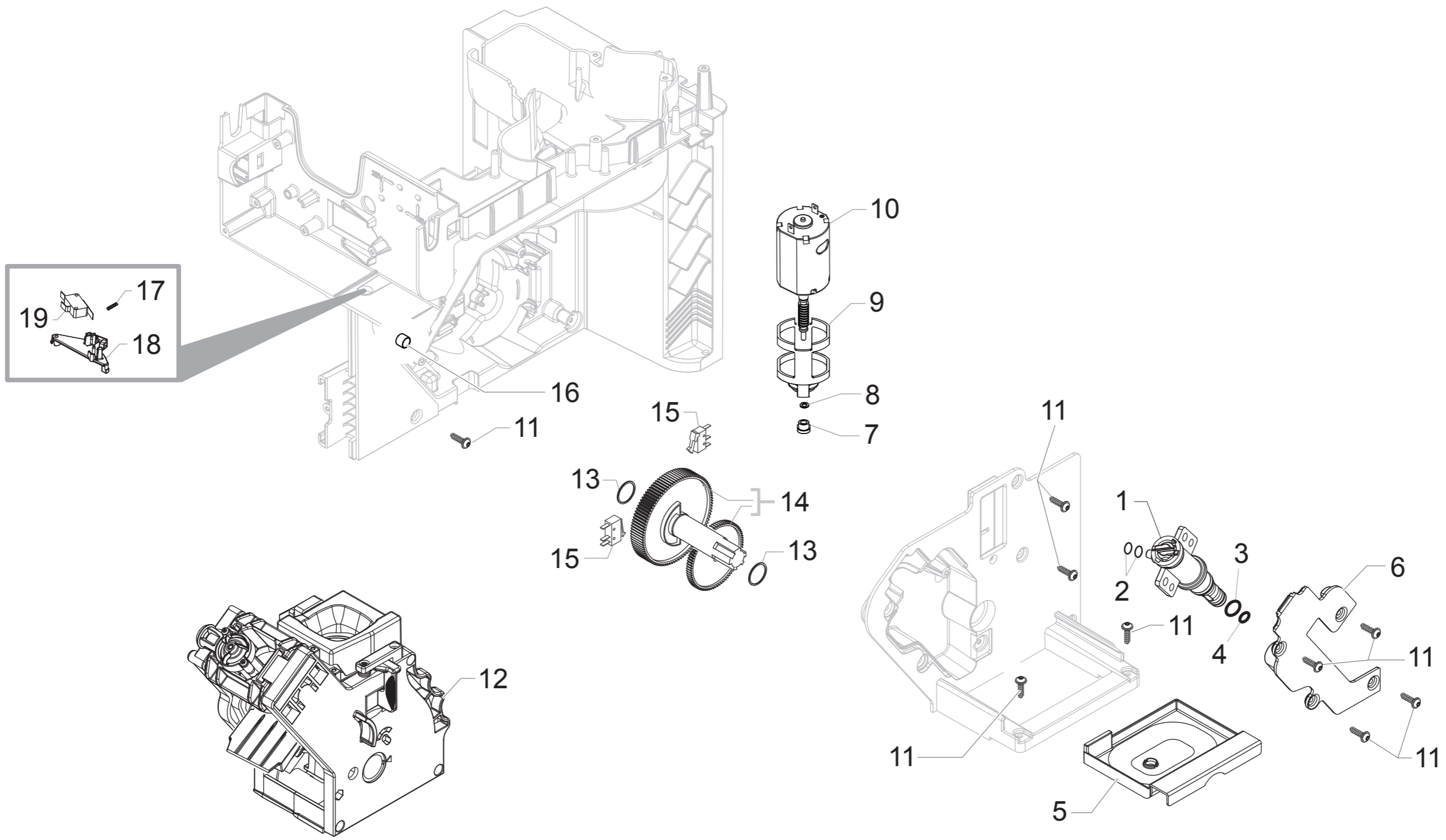
| Pos | Article-Nr.  | Description                              |
|-----|--------------|------------------------------------------|
| 1   | 421944007561 | BLK CARAFE COVER PLUG SMR/T              |
| 2   | 421941307191 | KIT SPAR.BLK CAP.COV.SERVO CAR.SMRT/T AS |
| 3   | 17001362     | BLK MILK INTAKE TUBE CONNECT.INS.V2 RYL  |
| 4   | 11012814     | SILICONE TUBE 3,5X6 L=140 MM             |
| 5   | 421944032881 | TRANSP.D/GREY PH-11514 CARAFE V2 HGO/T   |
| 6   | 421941307041 | KIT SPARES BLK UPP.COV.SERVO CAR.SMRT/T  |
| 7   | 421944029451 | TRANSP/BLK GEN.CARAFE SLID.SMRT ASSY.    |

| Pos | Article-Nr. | Description |
|-----|-------------|-------------|
|-----|-------------|-------------|



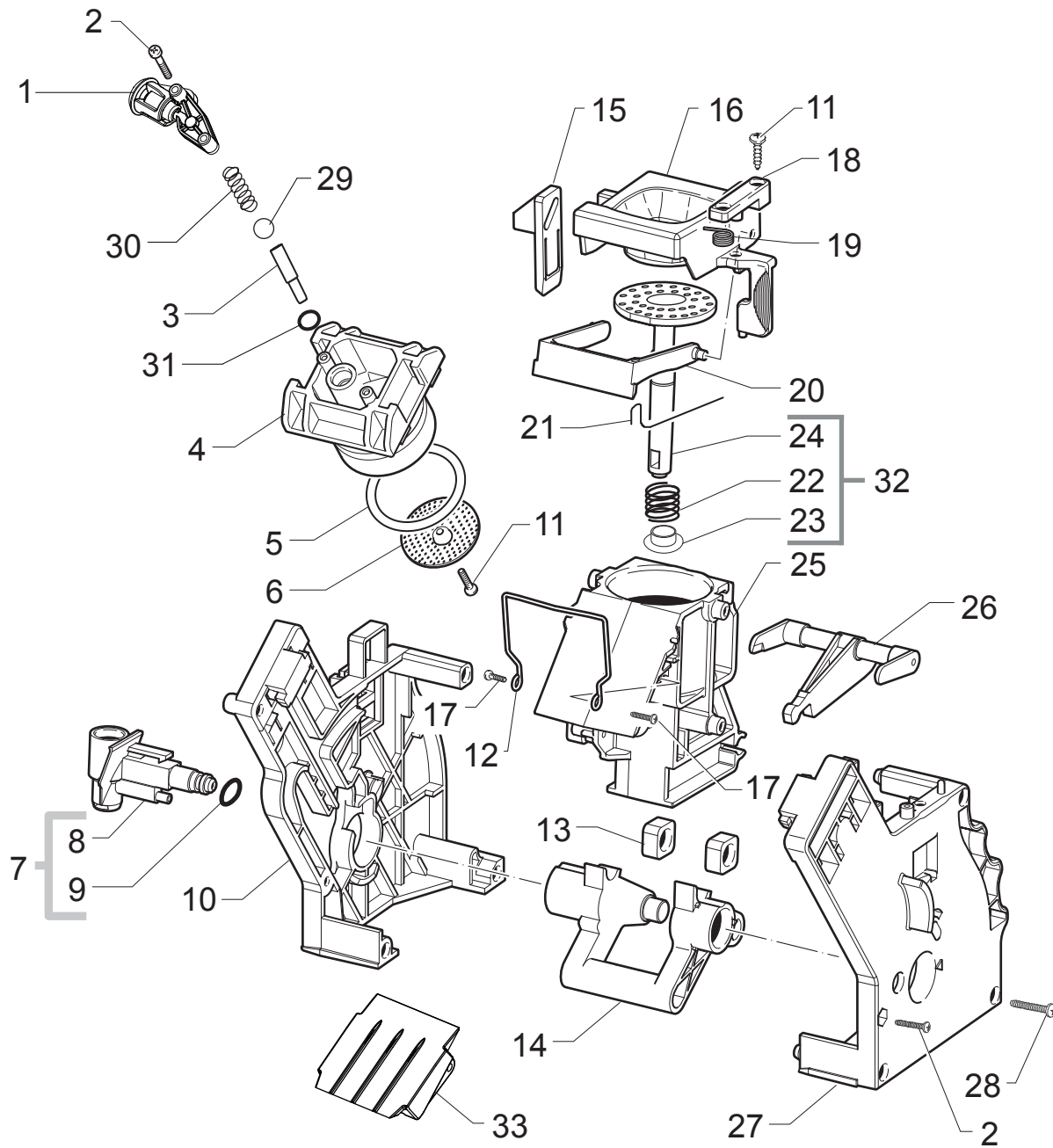
| Pos | Article-Nr.  | Description                              |
|-----|--------------|------------------------------------------|
| 1   | 11010031     | TEA/ZAMA INCREASE SCREW GRINDER          |
| 2   | 129574802    | SCREW TCB TORX 20 M4X30 ZN-B             |
| 3   | 421944053581 | BLK COF.GRINDER UPPER GRINDER SUPPORT V3 |
| 4   | 140328960    | OR ORM 0530-15 NBR FDA                   |
| 5   | 146520100    | BAKED CLAY GRINDER 48X28                 |
| 6   | 11012466     | BRASS BUSH BEAN CONT.FINGER PROTEC.P0057 |
| 7   | 149198350    | BLK LOWER COFFEEGRINDER GRINDER SUPPORT  |
| 8   | 123030300    | AXIAL BEARING EKKO 342.35252             |
| 9   | 140360500    | FELT RING 45,4X39,4X4                    |
| 10  | 128310402    | GALV.WASHER UNI 8842 A4                  |
| 11  | 11026355     | BLK GROUND COFF.OUTLET CONVEYOR V4 ASSY. |
| 12  | 421944060561 | GRY GROUND COF.CONT.LOWER SEAL V2 SMART1 |
| 13  | 226000300    | GEAR SX Z=38 FOR GRINDER MOTION ASSY.    |
| 14  | 421941305001 | MOTOR COFFEEGRINDER V3.1 120V ASSY.      |
| 14  | 421944049151 | MOTOR COFFEEGRINDER V3.2 230V ASSY.      |
| 15  | 149214800    | MC V3 MOD=1,25 WORM SCREW CENTRING CAP   |
| 16  | 129661702    | SCREW TCB TORX 3,5X30 PLAST.ZN-B         |
| 17  | 11002873     | INSULATOR BUSH FOR GRINDER MOTOR P124    |
| 18  | 11000597     | STEEL COF.GRINDER SUPPORT SPRING P124    |
| 19  | 17001008     | TRANS.BEAN CONTAIN.FINGER PROTECT.SMR UL |
| 20  | 128381902    | STEEL FLAT WASHER DI=4,3 DE=14 SP=1,5    |
| 22  | 11000194     | BLACK COFFEEGRINDER MOTOR SUPPORT P124   |
| 24  | 123030200    | RADIAL BEARING 61900.2RS1                |
| 25  | 128381800    | STEEL CRINKLE WASHER 21,8X14X0,25        |
| 26  | 142905450    | BLK UPPER BODY WITH COFFEE GROUND OUTLET |
| 28  | 11002613     | LOWER COFFEEGRINDER GEAR SUPPORT P124    |
| 29  | 11002572     | COFFEEGRINDER REGULATION SPRING P124     |
| 30  | 11003784     | COFFEE GRINDING ADJUSTMENT GEAR P0049    |
| 31  | U043.004     | ZN-B TCB TORX 20 M4X16 ZN-B              |
| 32  | 11002508     | UPPER COFFEEGRINDER GEAR SUPPORT P124    |
| 33  | 129914002    | SCREW TCB TORX 10 3,5X16 PLAST.ZN-B      |
| 34  | 17800688     | 2POLES CONNET.COFFEEGRINDER MOTOR SMR UL |
| 35  | 421944025161 | YLW BEAN COFFEE GRINDER INSERT SMR       |
| 36  | 12001622     | SCREW TCB TORX B 3,5X9,5 SCHEET NIK      |
| 37  | 421941085872 | COFFEE GRINDER SEAL P119 GRY 7035        |
| 38  | 145854360    | BLK GROUND COFFEE CONT.UPPER SEAL SMART1 |
| 39  | 17800687     | 3POLES CONNECTOR MC SENSOR SMR UL        |
| 40  | 181540900    | ELECTR.BOARD WITH SENSOR HAL506 SF-K     |
| 41  | 17001921     | BLK WIRING FIX INSERT FOR GRINDER BOARD  |
| 42  | 149199050    | BLK SENSOR SUPPORT FOR COF.GRINDER MOTOR |
| 100 | 421944010431 | GEN.MOTOR COF.GRINDER SMR/H-P-T 120V ASS |
| 100 | 421944054631 | GEN.MOTOR COF.GRINDER V2 SMR/B 230V ASSY |

| Pos | Article-Nr. | Description |
|-----|-------------|-------------|
|-----|-------------|-------------|



| Pos | Article-Nr.  | Description                              | Pos | Article-Nr. | Description |
|-----|--------------|------------------------------------------|-----|-------------|-------------|
| 1   | 421946011491 | BLK PIN FOR BOILER VALVE 4BAR ASSY.      |     |             |             |
| 2   | 140328059    | OR 2015 SILICONE PTFE/FDA                |     |             |             |
| 3   | NM01.035     | OR ORM 0090-20 SILICONE                  |     |             |             |
| 4   | NM01.057     | OR ORM 0050-20 IN SILICONE               |     |             |             |
| 5   | 421944008911 | BLK BREW UNIT DRAWER COFFEE SMR          |     |             |             |
| 6   | 17000730     | BLACK BOILER SEAT PIN COVER SMR          |     |             |             |
| 7   | 9121.046     | BRONZE SINTERED BUSH FOR MOTOR RATIOMOT. |     |             |             |
| 8   | 148380200    | BAKELIZZATE WASHER D=5,5                 |     |             |             |
| 9   | 9121.044     | ANTIVIBRATION FOR MOTOR                  |     |             |             |
| 10  | 11005214     | MOTOR FOR RATIOMOTOR P124 ASSY.          |     |             |             |
| 11  | 12001728     | SCREW TCBR TORX 10 3,5X12 PLAST.SS       |     |             |             |
| 12  | 421944052401 | BLK/YLW BREW UNIT 8GR.5BAR SMR           |     |             |             |
| 13  | 9161.132     | MYLAR WASHER FOR RATIOMOTOR              |     |             |             |
| 14  | 20000900     | SPARES KIT GEARS FOR RATIOMOTOR V2       |     |             |             |
| 15  | 12001841     | MICROSWITCH XC/SM1                       |     |             |             |
| 16  | 9161.111     | MAGNET FOR FLOAT SUPERAUT.               |     |             |             |
| 17  | 421944006861 | STEEL SPRING FOR MICRO COMPENSATOR SMR   |     |             |             |
| 18  | 17001508     | BLACK MICRO COMPENSATOR SMR              |     |             |             |
| 19  | 12001890     | MICROSWITCH XG/V3D                       |     |             |             |





| Pos | Article-Nr.  | Description                              |
|-----|--------------|------------------------------------------|
| 1   | 421944065221 | BLK BREW UNIT COF.OUTLET SLEEVE SMR ASSY |
| 2   | 12000550     | SCREW TCB TORX 10 3X25 PLAST.SS          |
| 3   | 11009276     | BLK COUNTER PISTON TUBE BREW UNIT S0053  |
| 4   | 11001840     | BLACK COUNTER PISTON BREW UNIT 8GR.P124  |
| 5   | NM01.044     | OR ORM 0320-40 SILICONE PTFE/FDA         |
| 6   | 9161.268     | PERCOLATOR DE=35,8 ELFO                  |
| 7   | 20000440     | BLACK WATER INLET SLEEVE BREW UNIT ASSY. |
| 8   | 9161.064.050 | BLACK WATER INLET SLEEVE BREW UNIT ROYAL |
| 9   | NM02.007     | OR 2025 IN TERMOIL                       |
| 10  | 9161.375.050 | BLACK BREW UNIT REAR PLATE SMART         |
| 11  | 12000895     | SCREW TSP TORX 10 3X10 PLAST.SS          |
| 12  | 11001556     | SS BREW UNIT SPRING H=49 SMART           |
| 13  | 9161.094.050 | BLACK BREW UNIT DRILLED BLOCK            |
| 14  | 421944051231 | YLW BREW UNIT ELBOW SHAFT M5000          |
| 15  | 421944046931 | YLW BREW UNIT COUPLING PLATE V2 SMART    |
| 16  | 149261350    | BLACK HOPPER DOSER BREW UNIT SMART1      |
| 17  | 129912521    | SCREW TCB TORX 10 3,5X14 PLAST.SS        |
| 18  | 421944050711 | YLW BREWUNIT HOPPER BLOCKING PLATE SMART |
| 19  | 9161.378     | SS HOPPER SPRING FOR BREW UNIT SMART     |
| 20  | 11004161     | BLACK SCRAPER FOR BREW UNIT M5000        |
| 21  | 9161.046     | SS SCRAPER SPRING FOR BREW UNIT          |
| 22  | 9161.198     | SS.8GR.BREW UNIT PISTON SPRING           |
| 23  | 9161.191     | WHITE 8GR.-12GR.BREW UNIT PISTON BUSH    |
| 24  | 421944025621 | BLK BREW UNIT INTEGR.PISTON 8GR.V3 ASSY. |
| 25  | 421944014611 | BLK COF.CONTAIN.BREW UNIT V2 M5000 ASSY. |
| 26  | 11003078     | BLACK CONNECTING ROD BREW UNIT 8GR.      |
| 27  | 11005920     | BLACK BREW UNIT FRONT PLATE S/SCR.SMART  |
| 28  | 12000897     | SCREW TCB TORX 10 3,5X20 PLAST.SS        |
| 29  | 421944034451 | BOROSILICATE SPHERE D.5 MM               |
| 30  | 11012095     | SS COFFEE UNIT CONTERPISTON SPRING S0053 |
| 31  | 140328761    | OR ORM 0060-15 TERMOIL                   |
| 32  | 421944029791 | BLK BREW UNIT 8GR.INT.PISTON GEN.V3 ASSY |
| 33  | 17000737     | BLACK BREW UNIT CONVEYOR SLIDE L=56,3    |
| 100 | 421944052401 | BLK/YLW BREW UNIT 8GR.5BAR SMR           |

| Pos | Article-Nr. | Description |
|-----|-------------|-------------|
|-----|-------------|-------------|