

BEZZERA

Dal 1901

BZ13

COD. 9942056.01

REV. 03 ed.04/17



TABLE 1
BZ13

POS	CODE	DESCRIPTION	PRICE
1	7816004	SCREW TCEI M4 X 16	0.12
2	5053027	COVER	3.03
3	5074478SG1	GROUP FRONTAL PM	11.33
4	5074635LW	GRID	4.13
5	7474217	ADHESIVE FEET 12,7 H5,8	0.19
6	5074621LW	CUPS-HEATER GRID BZ07 BA	8.63
7	5073020LW	TRAY COVER STAINLESS	8.59
8	5125705	SUPPORT	1.65
9	7373009	TANK 3 LT. CAPACITY	3.92
10	5071733LL	BODY STAINLESS STEEL POLISHED	33.15
11	5521512	LABLE	4.09
12	5963068.03LL	TANK SUPPORT PM	19.43
12	5963086.03	TANK SUPPORT DE	0.00
13	5964633.01	ASSEMBLY CHASSIS DE	0.00
13	5964634.01	ASSEMBLY CHASSIS PM	28.35
14	7474218	FEET M10 D40X46	1.74
15	5373102.01	HEATING ELEMENT PROTECTION	3.64
16	5340510	DRIP TRAY	22.52
17	5074622LW	DRAIN GRID	10.24
18	5094846SG	WORKING FRONTAL PANEL DE	19.65
19	5074477SG1	GROUP FRONTAL DE	0.00
20	5094847SG	WORKING FRONTAL PANEL PM	18.73

TABLE 1
BZ13

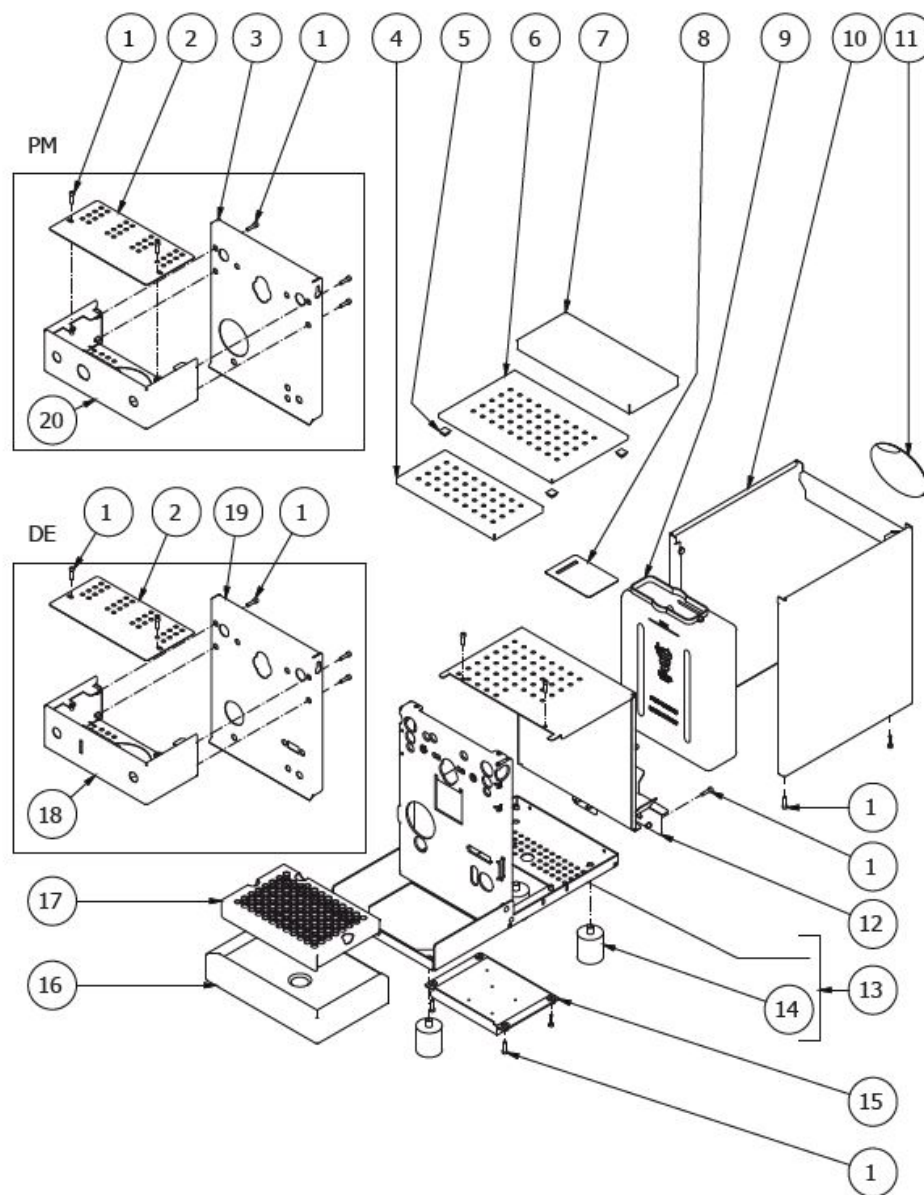


TABLE 2
BZ13

POS	CODE	DESCRIPTION	PRICE
1	5162304LL	EXCHANGER LOAD HOSE	3.27
2	5162303.01LL	BOILER LOAD HOSE	3.72
3	7303033	FITTING	0.62
4	5194610	HOSE 6X4 L=250 SILICONE	0.54
5	5194571	HOSE D6X4X1 L=200 SILICONE	0.58
6	5301504TR	UNION ELBOW 1/8	1.66
7	5194571	HOSE D6X4X1 L=200 SILICONE	0.58
8	7702310	SOLENOID VALVE 2 WAY 230V PARKER	23.42
8	7701111	SOLENOID VALVE 2 WAY 115V PARKER	23.42
8	7702409	SOLENOID VALVE 2 WAY 240V PARKER	23.41
9	7630328	SOLENOID VALVE COIL 220/230V PARKER	8.55
9	7630327	SOLENOID VALVE COIL 110V PARKER	8.55
9	7630329	SOLENOID VALVE COIL 240V PARKER	8.55
10	7304514TR	FITTING	2.36
11	5225411TP	FITTING 1/8"	1.39
12	7496085	OR GASKET D7.2X1.9 NBR 70SH	0.33
13	7303006	RUBBER-HOLDER FITTING	0.37
14	7452512	VALVE	2.59
15	7496018	OR GASKET 105 VITON	0.09
16	7304507TR	UNION ELBOW 1/8"	1.66
16	7303034TR	UNION ELBOW 1/8"	2.32
18	5221844	NUT 1/8"	0.14
19	5965212.01AL	ASSEMBLY SURPRESSION VALVE 12BAR	11.42
20	5302077TP	RUBBER-HOLDER FITTING	1.65
21	7496052	OR GASKET 114	0.11
22	5302017TP	STRAIGHT FITTING M12 H26.5 OT	1.65
23	5471539	CALIBRATED SPRING D.1,6	0.96
24	5471505	SPRING	0.12
25	5224620TP	GASKET-HOLDER	0.54
26	5224615TP	GASKET-HOLDER	0.74

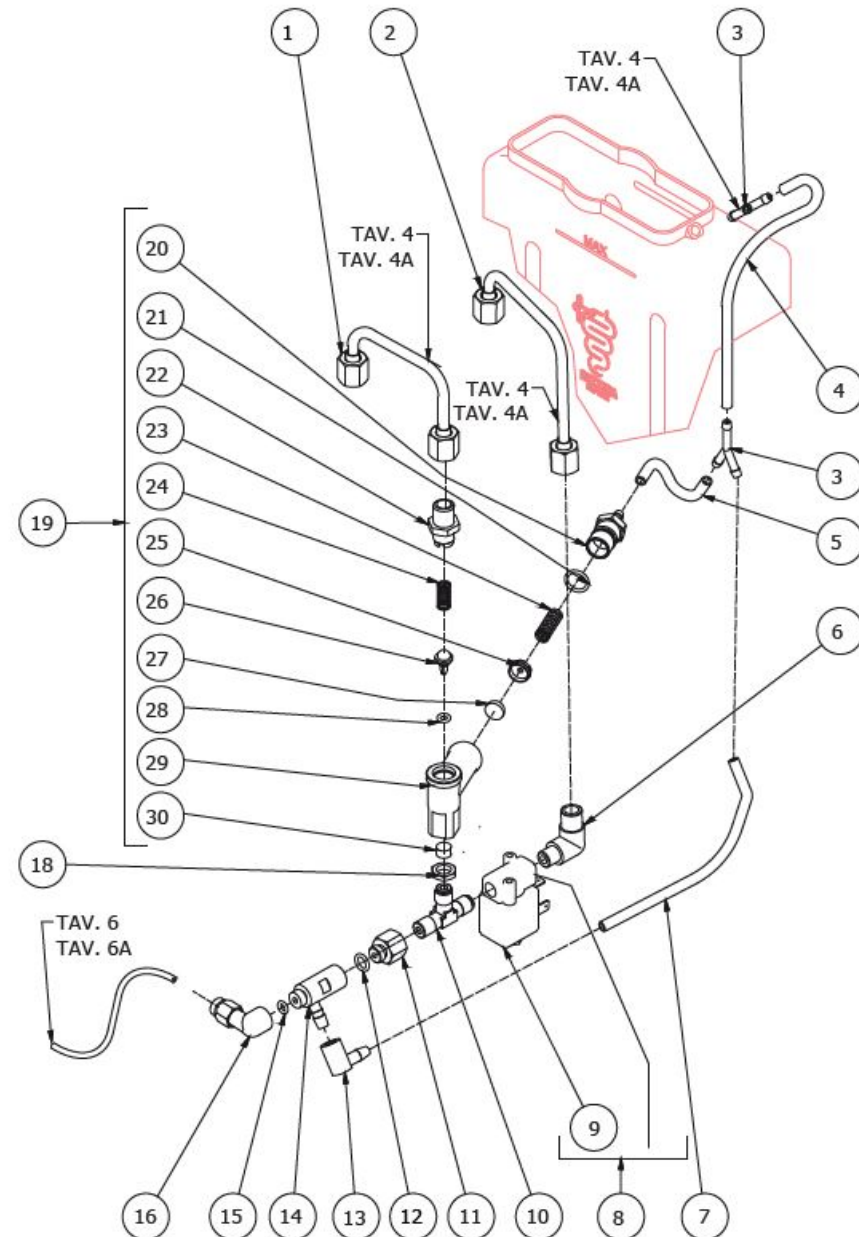
TABLE 2
BZ13

TABLE 2
BZ13

POS	CODE	DESCRIPTION	PRICE
27	5493042	GASKET D.11X3	0.14
28	7496018	OR GASKET 105 VITON	0.09
29	5283053TP	SURPRESSION VALVE BODY	4.30
30	5471019	INOX WIRE FILER D8,5X5 AISI304	0.30

TABLE 2
BZ13

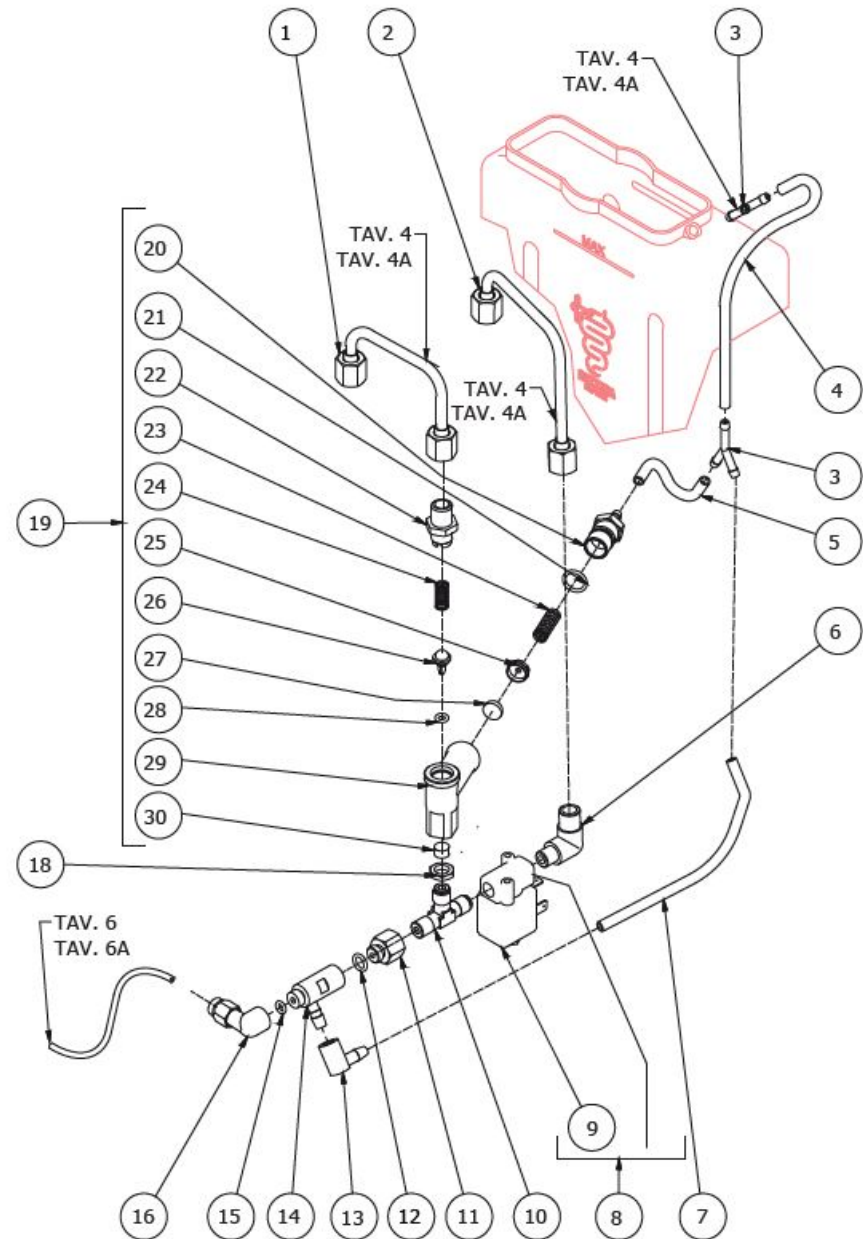


TABLE 3 - (up to 28/01/2014)
BZ13

POS	CODE	DESCRIPTION	PRICE
1	5964085AL	ASSEMBLY TAP	0.00
2	5964084AL	ASSEMBLY TAP	0.00
3	7371511.01	LEVER KNOB	1.54
4	5222823CM	RING NUT 3/8"	1.99
5	5225608	ARTICULATION M8 INOX	2.18
6	5260204DL	SHAFT D12X47	3.83
7	5260203DL	SHAFT D12X47	2.83
8	5471513	SPRING	0.09
9	5261801	WASHER D11	0.26
10	5494004	GASKET D12 X 6 PTFE GRAPHITIZED	0.46
11	5221826CM	NUT 3/8"	1.44
12	5283047TW	TAP BODY OT	0.00
13	5496042	GASKET D11X4X4 EPT 70 (C6)	0.18
14	5224603TP	GASKET-HOLDER	0.77
15	7496072	OR GASKET 121	0.07
16	5471532	SPRING	0.30
17	5190501	COMPLETE CUP	0.74
18	7496073	OR GASKET 115 EP856	0.18
19	5221872TW	NUT 3/8"	2.71
20	7371003	INSULATING	0.66
21	7496084	GASKET	0.17
22	7305014	TERMINAL 2 HOLES	2.67
23	7479990TW	ASSEMBLY STEAM HOSE TERMINAL 2 HOLES	0.00
24	5225607TW	WATER HOSE CHROMED	1.68
25	7496003	OR GASKET 108 VITON	0.10
26	5226610TW	WATER HOSE TERMINAL D23.5X18 OT CHROMED	2.69
27	5493003	GASKET D20.5X15 H1.5 NBR 70SH	0.57
28	5226601TW	WATER HOSE TERMINAL M22 CHROMED	3.04
29	5966548AL	ASSEMBLY WATER HOSE	9.79
30	5225410TP	FITTING M14XM13 H26	0.00

TABLE 3 - (up to 28/01/2014)
BZ13

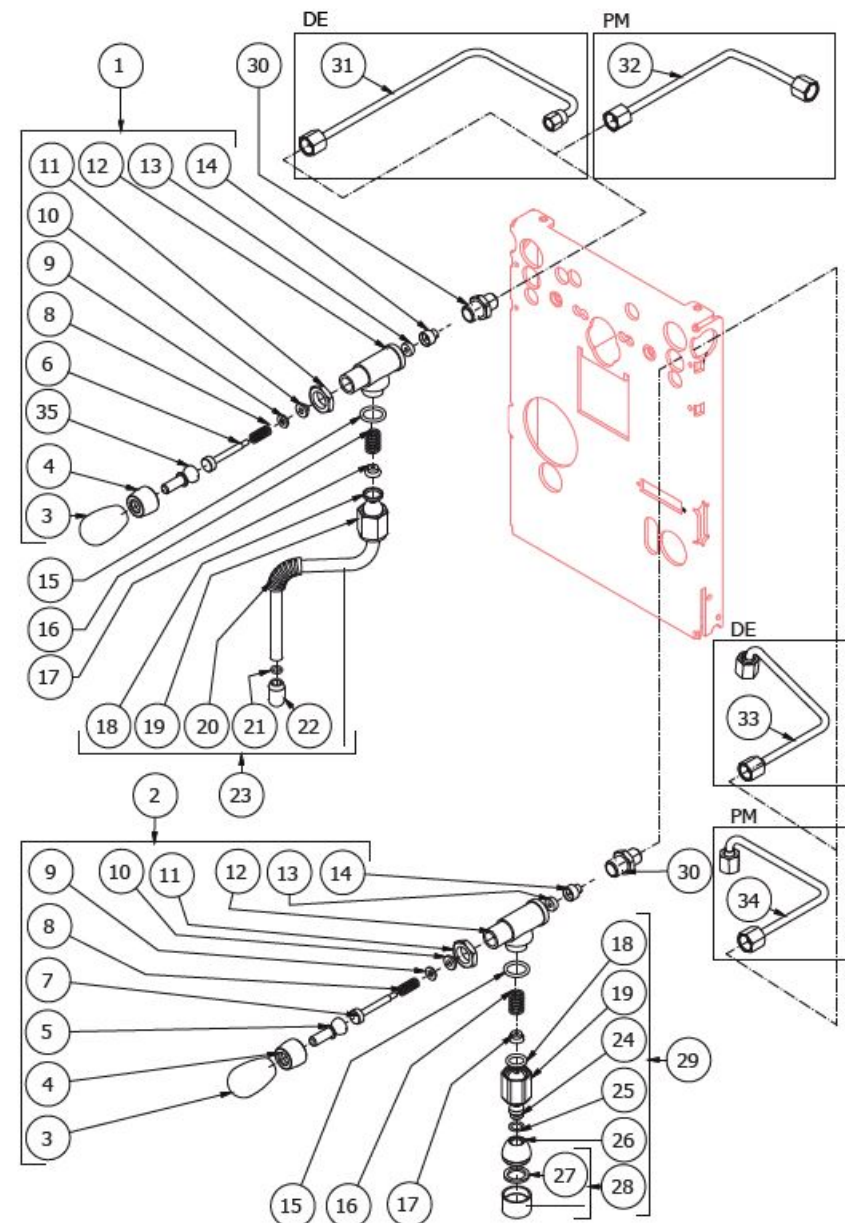


TABLE 3 - (up to 28/01/2014)
BZ13

POS	CODE	DESCRIPTION	PRICE
31	5162363LL	STEAM TAP HOSE	4.39
32	5162364LL	STEAM TAP HOSE	3.43
33	5162362LL	WATER TAP HOSE	3.69
34	5162365LL	WATER TAP HOSE	3.48
35	5225610	ARTICULATION M8 INOX	3.28

TABLE 3 - (up to 28/01/2014)
BZ13

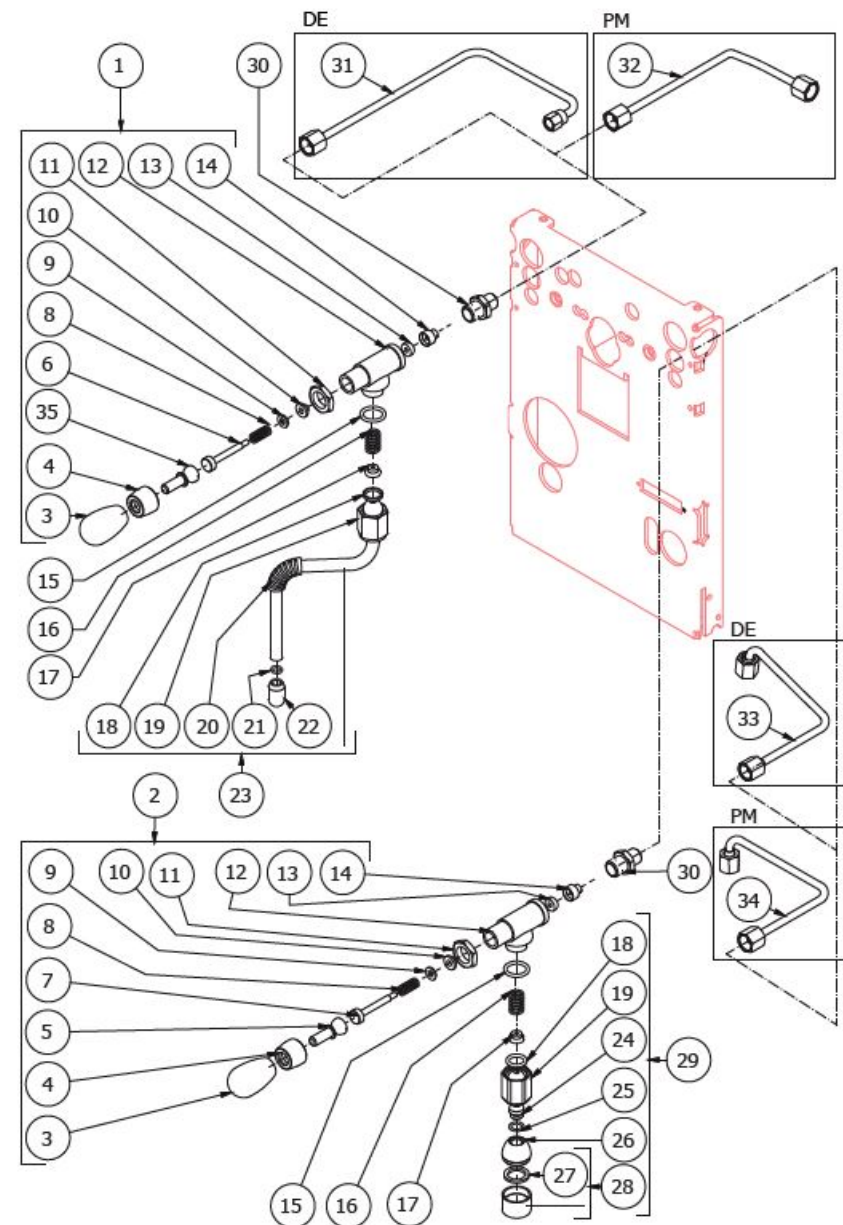


TABLE 3 - (from 29/01/2014)
BZ13

POS	CODE	DESCRIPTION	PRICE
1	5964085.01AL	ASSEMBLY TAP WITH OR	19.20
2	5964084.01AL	ASSEMBLY TAP WITH OR	19.10
3	7371511.01	LEVER KNOB	1.54
4	5222823CM	RING NUT 3/8"	1.99
5	5225608	ARTICULATION M8 INOX	2.18
6	5260204DL	SHAFT D12X47	3.83
7	5260203DL	SHAFT D12X47	2.83
8	5471513	SPRING	0.09
9	5261801	WASHER D11	0.26
10	5494004	GASKET D12 X 6 PTFE GRAPHITIZED	0.46
11	5221826CM	NUT 3/8"	1.44
12	5283055TW	TAP BODY OT FOR OR	7.56
13	5496042	GASKET D11X4X4 EPT 70 (C6)	0.18
14	5224603TP	GASKET-HOLDER	0.77
15	7496072	OR GASKET 121	0.07
16	5471532	SPRING	0.30
17	5190501	COMPLETE CUP	0.74
18	5226601TW	WATER HOSE TERMINAL M22 CHROMED	3.04
19	5493003	GASKET D20.5X15 H1.5 NBR 70SH	0.57
20	7999918	JET-BREAKER AERATOR CARTRIGE	2.68
21	5966548.01AL	ASSEMBLY WATER HOSE	0.00
22	5494017	OR GASKET 115 EP856	0.42
23	5221872TW	NUT 3/8"	2.71
24	7371003	INSULATING	0.66
25	7496084	GASKET	0.17
26	7305014	TERMINAL 2 HOLES	2.67
27	7479990.01TW	ASSEMBLY STEAM HOSE TERMINAL 2 HOLES	14.33
30	5222225	SPACER D15X19X4	0.00
31	5162363LL	STEAM TAP HOSE	4.39
32	5162364LL	STEAM TAP HOSE	3.43

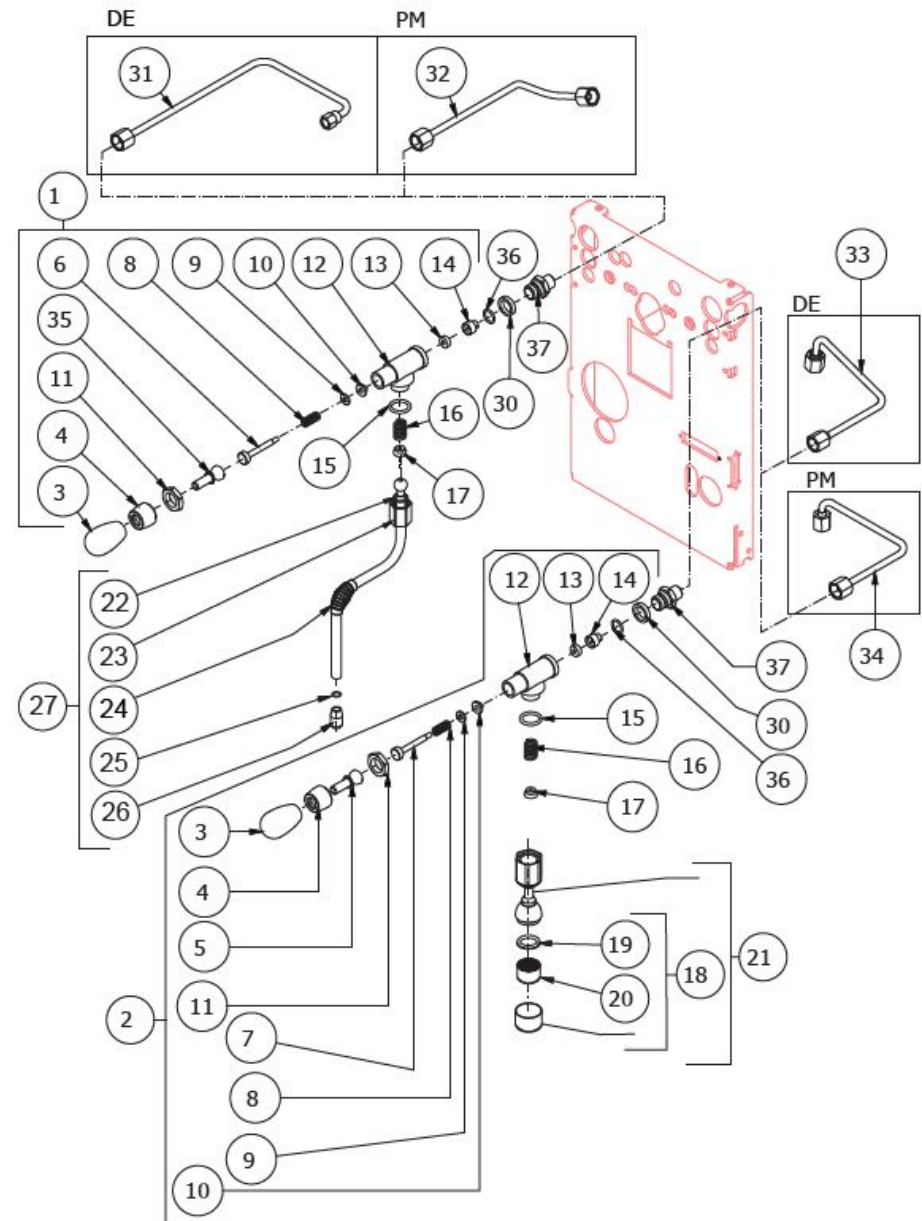
TABLE 3 - (from 29/01/2014)
BZ13

TABLE 3 - (from 29/01/2014)
BZ13

POS	CODE	DESCRIPTION	PRICE
33	5162362LL	WATER TAP HOSE	3.69
34	5162365LL	WATER TAP HOSE	3.48
35	5225610	ARTICULATION M8 INOX	3.28
36	7496052	OR GASKET 114	0.11
37	5225416TP	FITTING M14X1 WHIT OR	2.20

TABLE 3 - (from 29/01/2014)
BZ13

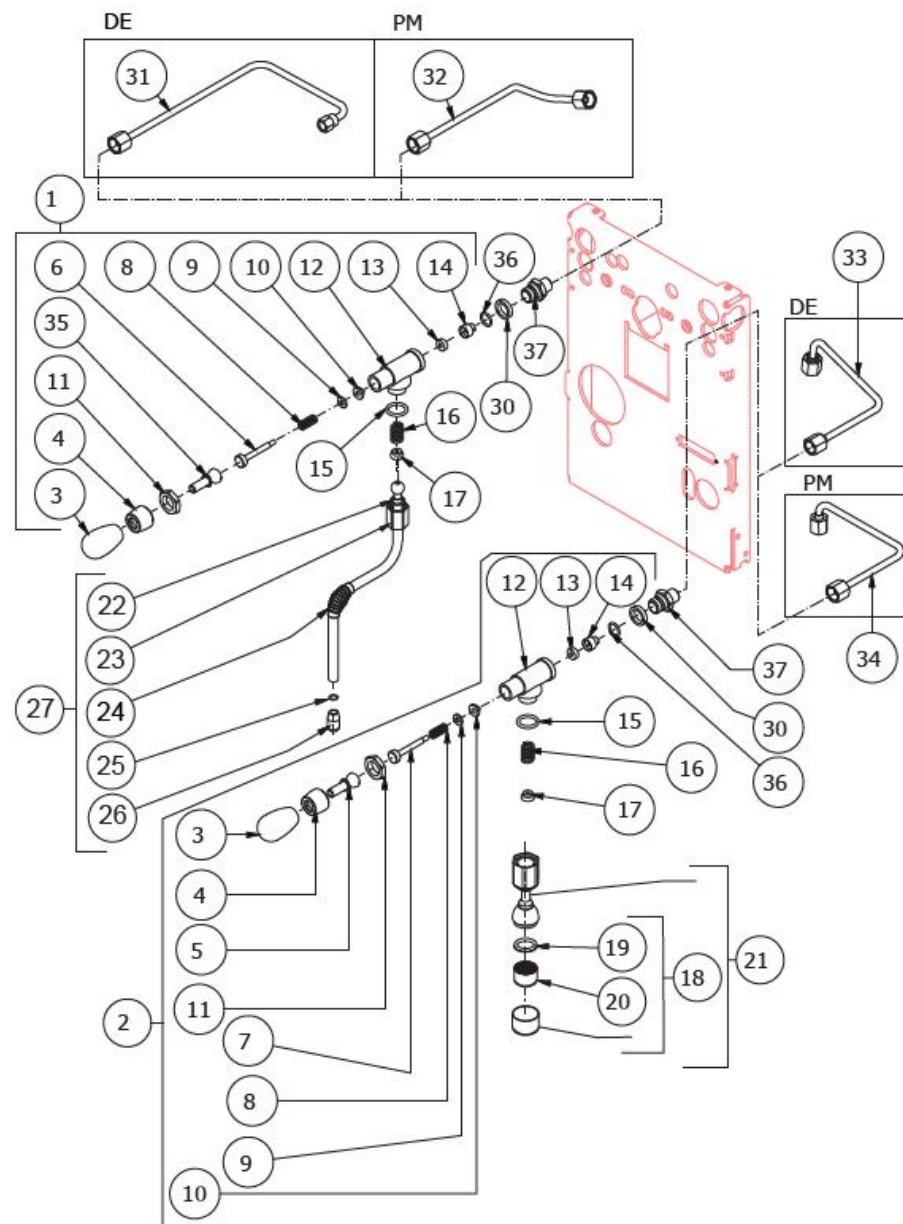


TABLE 3A
BZ13

POS	CODE	DESCRIPTION	PRICE
1	5162361LL	HOSE FOR SOLENOID VALVE OF GROUP	3.52
2	5301504TR	UNION ELBOW 1/8"	1.66
3	7634808	THERMIC SAFETY DEVICE 250V 95°C AUTOMATIC	5.72
4	7816021	SCREW TCEI M5X25 UNI 5931 A2	0.14
5	7814002	NOTCHED WASHER D5 DIN 6798A A2	0.04
6	7816014	SCREW M8X20 UNI5931 A2	0.33
7	5018462LW	COUPLING RING SUPPORT	4.17
8	5963099.01	ASSEMBLY HEATING ELEMENT 110V 50W	9.22
8	5963101.01	ASSEMBLY HEATING ELEMENT 230V 50W	9.80
9	5283520.01	HEATING ELEMENT FLANGE	10.60
10	7496004	OR GASKET 139	0.85
11	5280505TW	COUPLING RING CHROMED	27.23
12	7496097	OR GASKET 55X8 NBR	1.32
13	5285501TP	SHOWER-HOLDER D57	5.47
14	5470501	SHOWER D57 AISI 304	1.40
15	7817001	SCREW TPS M5X16 A2	0.09

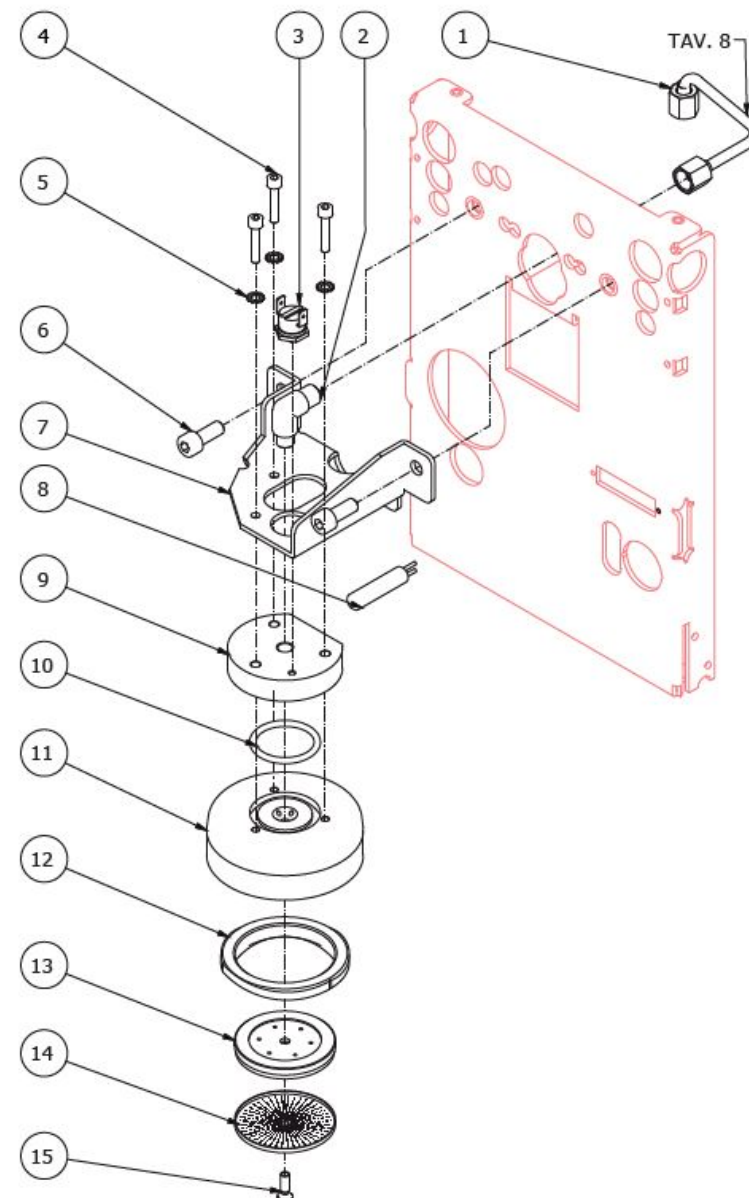
TABLE 3A
BZ13

TABLE 4
BZ13 Mod. DE

POS	CODE	DESCRIPTION	PRICE
1	5162304LL	EXCHANGER LOAD HOSE	3.27
2	5302006TP	STRAIGHT FITTING 1/8"	0.93
3	5192301	SUCTION HOSE D6 L=130MM PTFE	1.21
4	7666002	PROBE T.PID	12.68
5	5265804	LEVEL PROBE 1GR D3 X 110 X 6.3	0.99
6	5225205	STRAIGHT FITTING M10 OT	0.31
8	5162362LL	WATER TAP HOSE	3.69
9	5194549	HOSE D8X5 L=350 SILICONE	1.16
10	7433018	VALVE BODY	13.64
11	5226405TP	PLUG 1/4"	1.49
12	5194616	HOSE 5X3 L=500 SILICONE	0.64
13	7303033	FITTING	0.62
14	5162363LL	STEAM TAP HOSE	4.39
15	7304514TR	FITTING	2.36
16	7611504	CLAMP	0.06
17	5162203.02LL	PRESSURE SWITCH HOSE	4.65
18	5301504TR	UNION ELBOW 1/8"	1.66
19	5162303.01LL	BOILER LOAD HOSE	3.72
20	5320520.01TP-AL	BOILER	59.73
21	5226411TP	PLUG 1/8"	0.67
22	5225209TP	STRAIGHT FITTING 1/4	2.10
23	5192001	PROBE SHEATH D8 X 45 HOLE D3 PTFE	1.55
24	5225412	FITTING	0.99
25	5329019DC-AL	ASSEMBLY EXCHANGER HOSE POLISHED	19.10
26	5495007	GASKET D32 X 3 BRASS	2.00
27	5265811	LEVEL PROBE D3X160X4.8	1.47
29	5301504TR	UNION ELBOW 1/8"	1.66
30	5223005TP	JET M6 X 6 HOLE D1.2 OT	0.54
31	5162185LL	EXCHANGER-GROUP SOLENOID VALVE HOSE	2.32

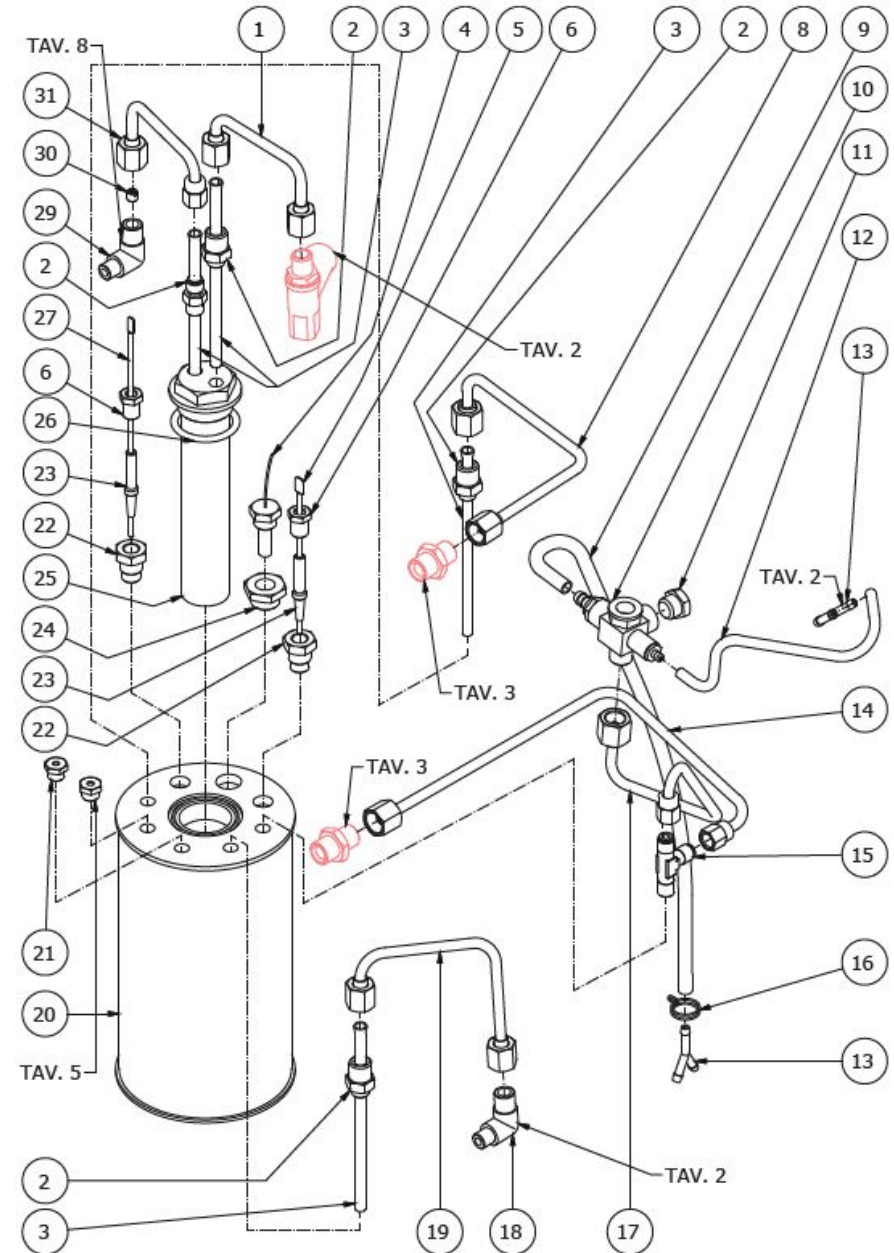
TABLE 4
BZ13 Mod. DE

TABLE 4A
BZ13 Mod. PM

POS	CODE	DESCRIPTION	PRICE
1	5162304LL	EXCHANGER LOAD HOSE	3.27
2	5194549	HOSE D8X5 L=350 SILICONE	1.16
3	5162203.02LL	PRESSURE SWITCH HOSE	4.65
4	7433012	PRESSOSTAT XP110+C110P 1,2BAR 15A	18.67
5	5194616	HOSE 5X3 L=500 SILICONE	0.64
6	7303033	FITTING	0.62
7	7400902	BOILER-MANOMETER CAPILLARY	2.18
8	7304514TR	FITTING	2.36
9	7611504	CLAMP	0.06
10	5301504TR	UNION ELBOW 1/8"	1.66
11	5265804	LEVEL PROBE 1GR D3 X 110 X 6.3	0.99
12	5225205	STRAIGHT FITTING M10 OT	0.31
13	5192001	PROBE SHEATH D8 X 45 HOLE D3 PTFE	1.55
14	5225209TP	STRAIGHT FITTING 1/4"	2.10
15	5320520.01TP-AL	BOILER	59.73
16	5226411TP	PLUG 1/8"	0.67
17	5162365LL	WATER TAP HOSE	3.48
18	5302006TP	STRAIGHT FITTING 1/8"	0.93
20	5192301	SUCTION HOSE D6 L=130MM PTFE	1.21
21	5226405TP	PLUG 1/4"	1.49
22	5302070TP	FITTING 3/8"	3.15
23	5301506TR	UNION ELBOW M13X1/4	1.66 </td
24	5162364LL	STEAM TAP HOSE	3.43
25	5162303.01LL	BOILER LOAD HOSE	3.72
26	5495007	GASKET D32 X 3 BRASS	2.00
27	5329019DC-AL	ASSEMBLY EXCHANGER HOSE POLISHED	19.10
29	5301504TR	UNION ELBOW 1/8"	1.66
30	5223005TP	JET M6 X 6 HOLE D1.2 OT	0.54
31	5162185LL	EXCHANGER-GROUP SOLENOID VALVE HOSE	2.32

TABLE 4A
BZ13 Mod. PM

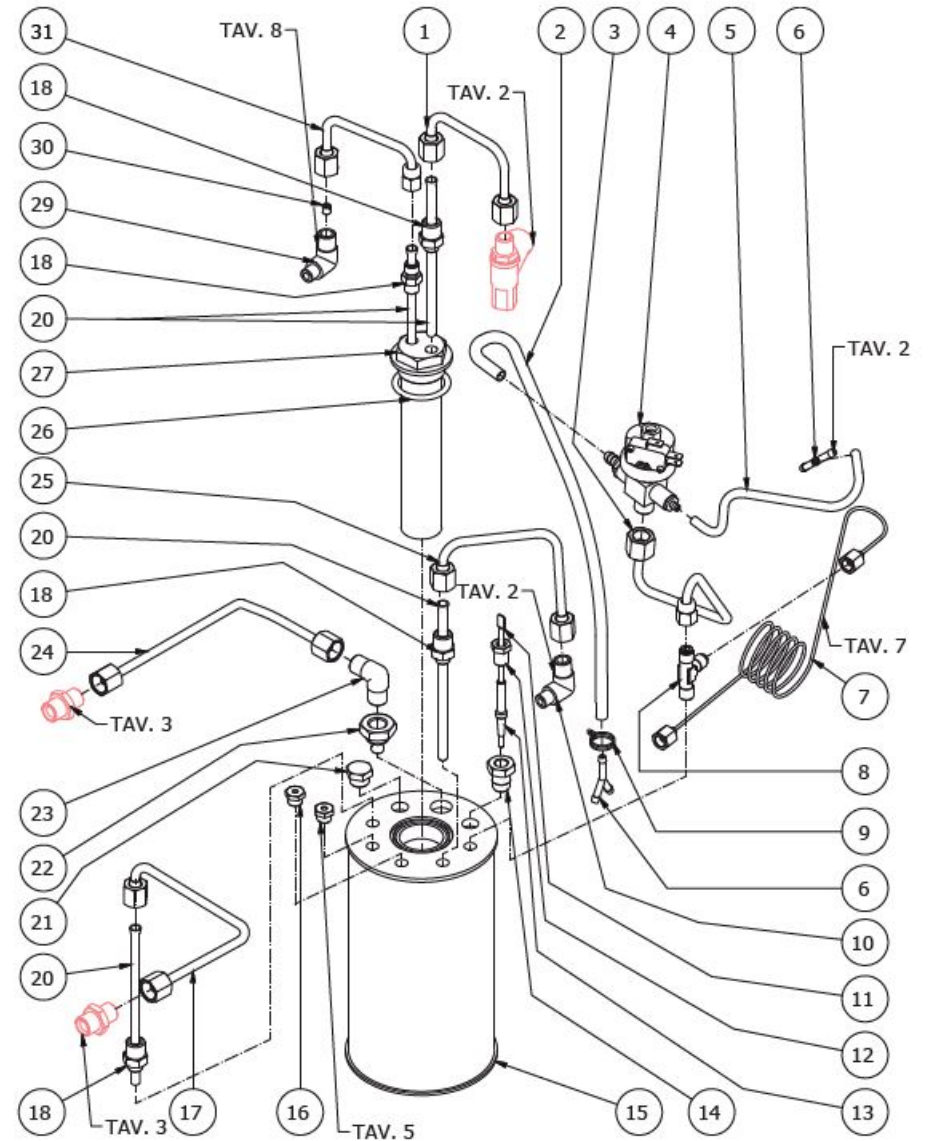


TABLE 5
BZ13

POS	CODE	DESCRIPTION	PRICE
1	7816002	SCREW TCEI M4X12	0.07
2	7825003	WASHER D5X1 UNI 6592 OT	0.03
3	7492003	GASKET D6.5	0.37
4	5226411TP	PLUG 1/8"	0.67
5	7496040	OR GASKET D73 X 3 VITON	0.79
6	7826402	SCREW TE M4X16 UNI 5739 OT	0.09
7	5721128AL	HEATING ELEMENT V110/120 W1200	28.84
7	5722239.01AL	HEATING ELEMENT 220/240V W1100-1300	28.83
8	7816422	SCREW TE M6X14 UNI 5739 OT	0.08
10	7634819	THERMIC SAFETY DEVICE 250V 130°C	5.47
11	7663573	GROUND WIRE	0.26
12	7814001	WASHER D4 DIN 6798A A2	0.03
13	7816409	SCREW TE M4X8 UNI 5739 A2	0.09
14	7822603	NUT M4	0.03

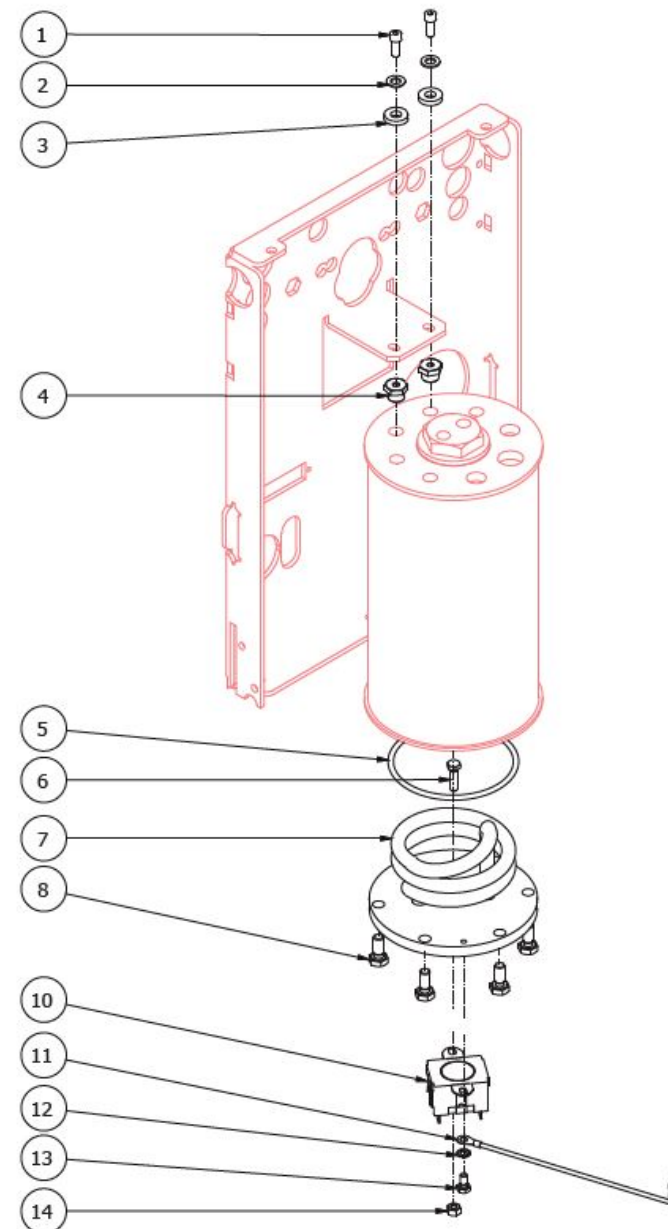
TABLE 5
BZ13

TABLE 6
BZ13 Mod. DE

POS	CODE	DESCRIPTION	PRICE
1	7431002	FLOW METER	9.36
2	7611516	CLAMP	0.04
3	5194570	CRISTAL HOSE D5 X 8 L=150MM	0.00
4	5194582	HOSE 8X5 L=750 SILICONE	2.37
5	7731022	VIBRATION PUMP EX5 220V 60HZ WITH OR	12.98
5	7731020	VIBRATION PUMP EX5 230V WITH OR	12.61
5	7731018	VIBRATION PUMP EX5 100V C/OR	12.73
5	7731019	VIBRATION PUMP EX5 120V WITH OR	15.92
5	7731021	VIBRATION PUMP EX5 240V WITH OR	13.38
6	7470602	VIBRATION-DAMPING	0.51
7	7303042TR	UNION	2.36
8	7805009	PLAIN WASHER D5 X 11 X 1	0.03
9	7816004	SCREW TCEI M4 X 16	0.12
10	7303006	RUBBER-HOLDER FITTING	0.37
11	5194631.01R	PUMP-SOLENOID VALVE HOSE (up to 13.01.15)	6.70
11	5194635	PUMP-SOLENOID VALVE HOSE	0.62
12	7374015	FILTER	0.57
13	5194582R	HOSE WITH FILTER	4.38
14	7634816	THERMIC SAFETY DEVICE 100°C AUTOMATIC	1.67
15	5225418TP	FITTING 1/8"	0.00
16	7496018	OR GASKET 105 VITON	0.09

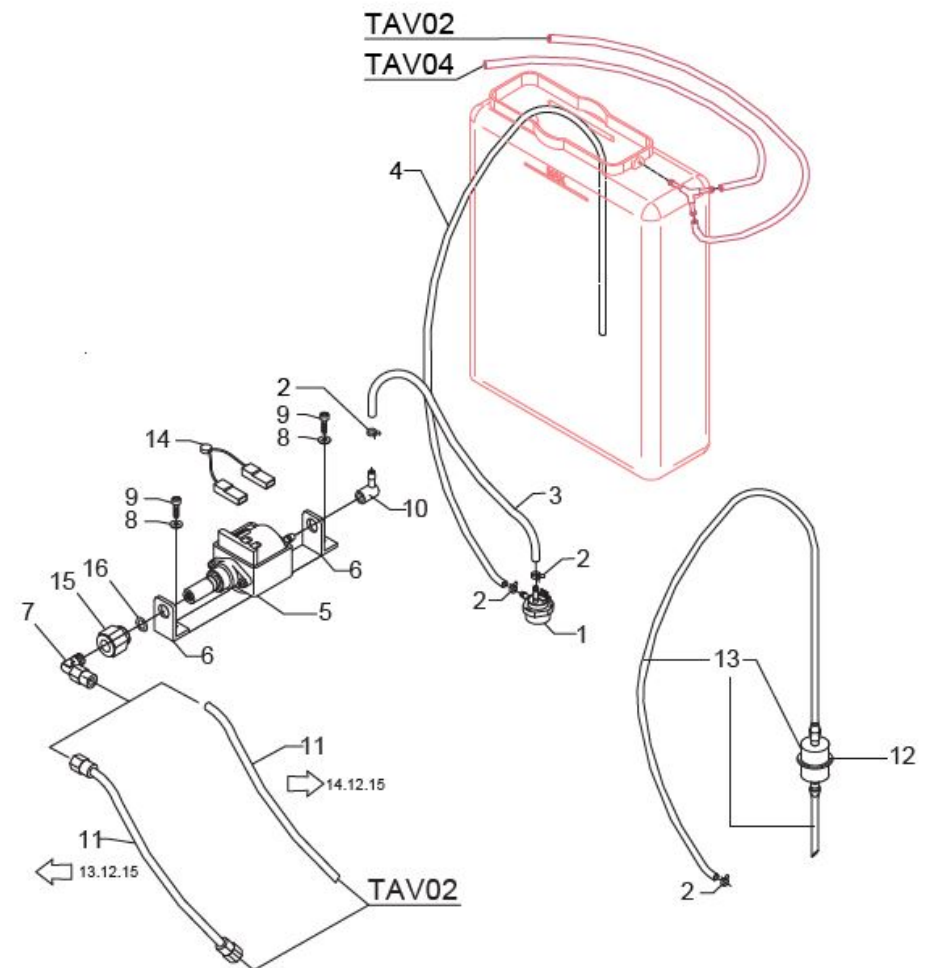
TABLE 6
BZ13 Mod. DE

TABLE 6A
BZ13 Mod. PM

POS	CODE	DESCRIPTION	PRICE
1	5194631.01R	PUMP-SOLENOID VALVE HOSE (up to 13.01.15)	6.70
1	5194635	PUMP-SOLENOID VALVE HOSE	0.62
2	7611516	CLAMP	0.04
3	7303006	RUBBER-HOLDER FITTING	0.37
4	5194582	HOSE 8X5 L=750 SILICONE	2.37
5	7731022	VIBRATION PUMP EX5 220V 60HZ WITH OR	12.98
5	7731020	VIBRATION PUMP EX5 230V WITH OR	12.61
5	7731018	VIBRATION PUMP EX5 100V C/OR	12.73
5	7731019	VIBRATION PUMP EX5 120V WITH OR	15.92
5	7731021	VIBRATION PUMP EX5 240V WITH OR	13.38
6	7470602	VIBRATION-DAMPING	0.51
7	7303042TR	UNION	2.36
8	7805009	PLAIN WASHER D5 X 11 X 1	0.03
9	7816004	SCREW TCEI M4 X 16	0.12
10	7374015	FILTER	0.57
11	5194582R	HOSE WITH FILTER	4.38
12	7634816	THERMIC SAFETY DEVICE 100° C AUTOMATIC	1.67
13	5225418TP	FITTING 1/8"	0.00
14	7496018	OR GASKET 105 VITON	0.09

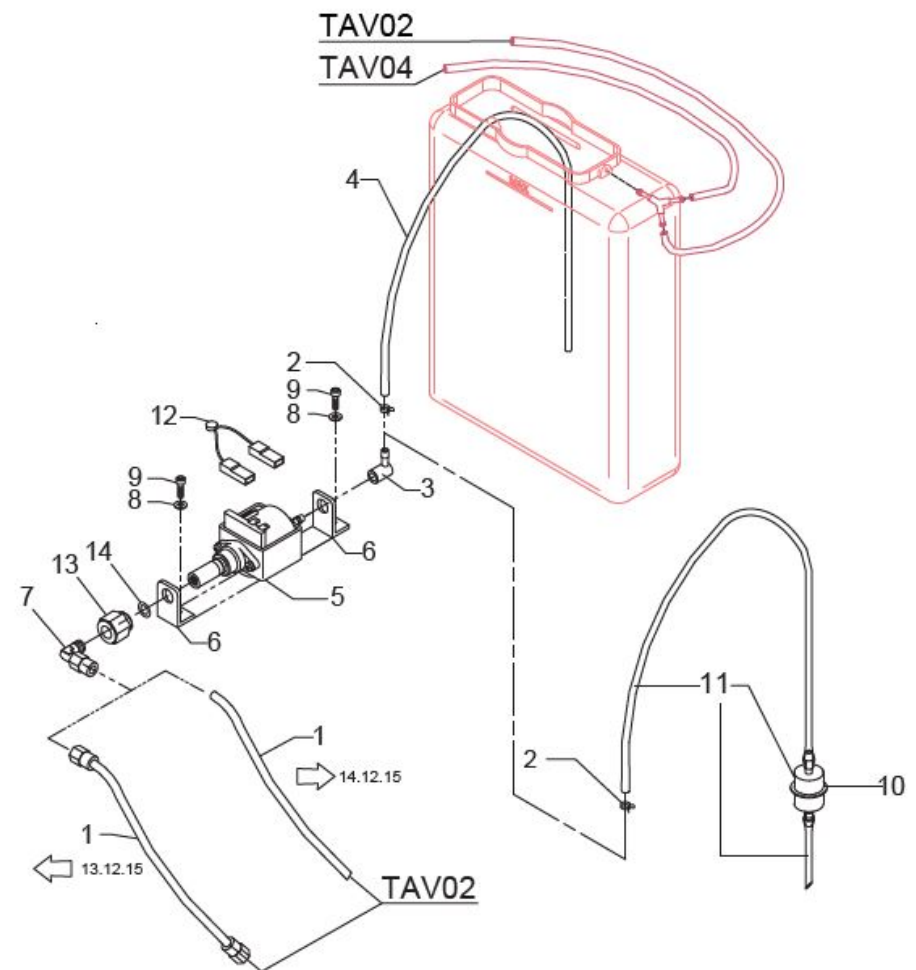
TABLE 6A
BZ13 Mod. PM

TABLE 7
BZ13 Mod. PM

POS	CODE	DESCRIPTION	PRICE
1	7400902	BOYLER-MANOMETER CAPILLARY	2.18
2	7816005	SCREW TCEI M4X20	0.12
3	7661037PR	LEVEL REGULATOR 1S 110V	26.37
3	7661036.01PR	LEVEL REGULATOR 1S 220/240V	30.03
4	7611517	CLAMP	0.18
5	7633907	MICROSWITCH	6.89
6	7819911	SCREW TTEI M4X25	0.12
7	5058433LL	LEVEL REGULATOR SUPPORT	1.65
8	7816009	SCREW TCEI M4X10	0.07
9	7635418	RELAY 16A 110V	14.53
9	7635419	RELAY 16A 220/230V	14.53
9	7635420	RELAY 16A 240V	14.53
10	7663005R	FILTER RC	3.83
11	7612511	CLAMP 3 CONTACTS	0.76
12	7614007	CABLE-PRESS PG13,5	1.23
13	7614006	NUT PG13,5	0.23
14	7555001	CABLE WITH SCHUKO PLUG	7.48
14	7551001	CABLE WITH USA PLUG 125V 15A	7.48
14	7551003	CABLE WITH USA PLUG 250V 20A	10.16
14	7552001	CABLE WITH AUSTRALIAN PLUG	7.48
14	7554001	CABLE WITH ENGLISH PLUG	7.48
14	7555003	CABLE WITH SWITZERLAND PLUG	3.09
15	7633624	GREEN LAMP	1.19
16	7633625	ORANGE LAMP	1.12
17	7372507	SWTCH PROTECTION PLASTIC	1.52
18	7633326	BIPOLAR SWITCH LEVER	1.32
19	7633338	SWITCH	2.66
20	7432524	PRESSURE GAUGE D60 DOUBLE SCALE	19.13
21	7400901	PRESSURE GAUGE CAPILLARY	2.38
22	5300513TR	UNION	2.54

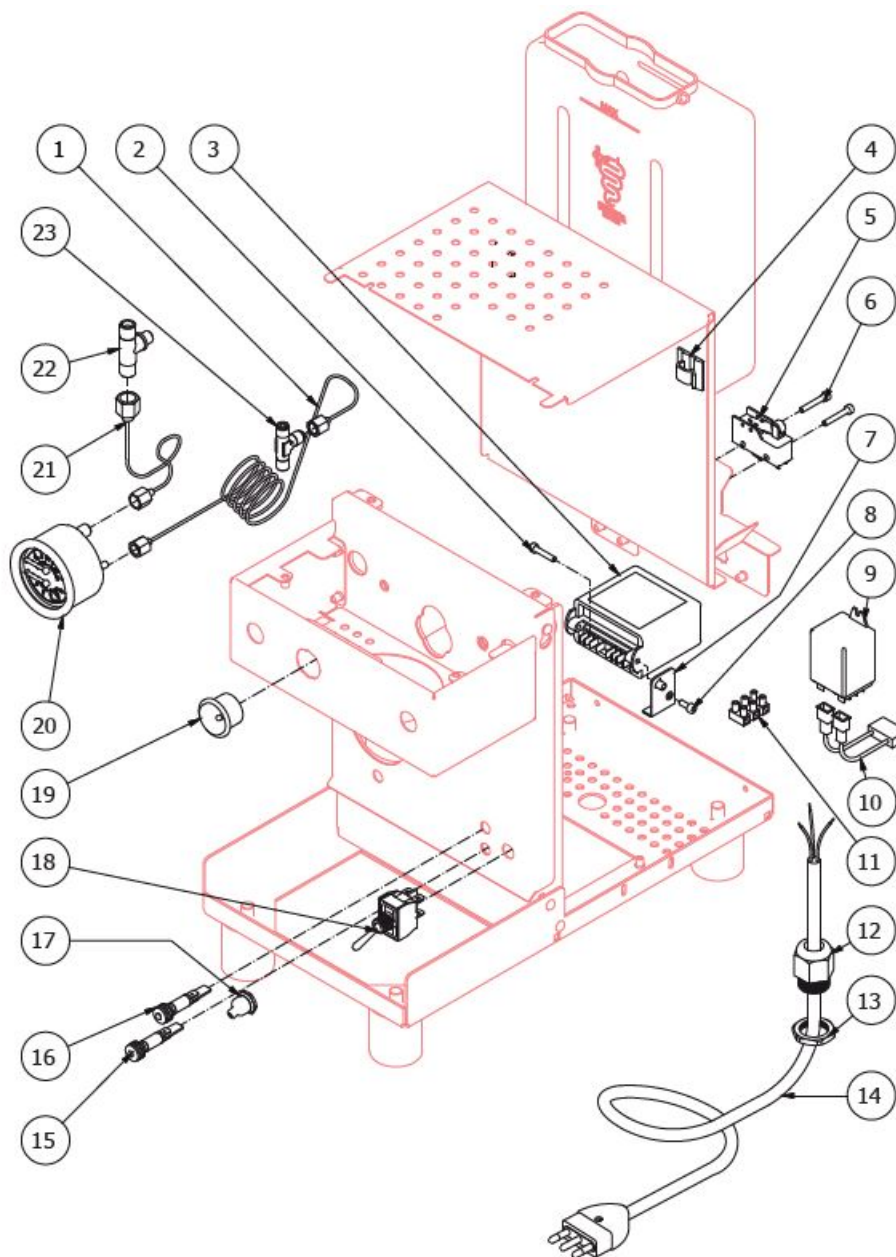
TABLE 7
BZ13 Mod. PM

TABLE 7
BZ13 Mod. PM

POS	CODE	DESCRIPTION	PRICE
23	7304514TR	FITTING	2.36

TABLE 7
BZ13 Mod. PM

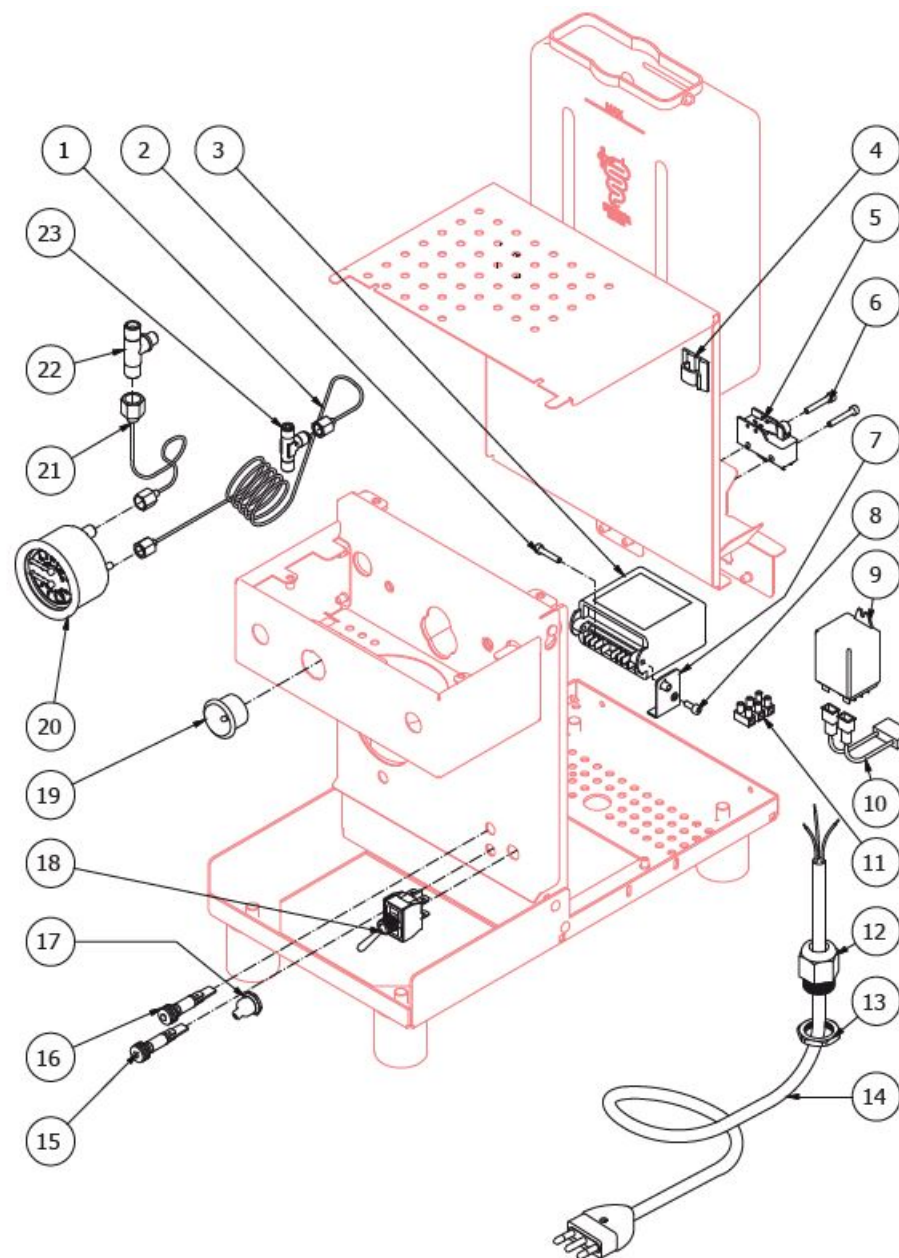


TABLE 7A
BZ13 Mod. DE

POS	CODE	DESCRIPTION	PRICE
1	7633907	MICROSWITCH	6.89
2	7819911	SCREW TTEI M4X25	0.12
3	7822602	NUT M3	0.04
4	7816005	SCREW TCEI M4X20	0.12
5	7662671.01PR	DOSAGE 3S 220/240V	90.48
5	7662650.02PR	DOSAGE 3S 115V	90.48
6	5058433LL	LEVEL REGULATOR SUPPORT	1.65
7	7816009	SCREW TCEI M4X10	0.07
8	7663581	CONNECTING CABLE	6.77
9	7434020	THERMOSTAT TERMOPID 110V	20.08
9	7434021	THERMOSTAT TERMOPID 230/240V	20.08
10	7612511	CLAMP 3 CONTACTS	0.76
11	7614007	CABLE-PRESS PG13,5	1.23
12	7614006	NUT PG13,5	0.23
13	7555001	CABLE WITH SCHUKO PLUG	7.48
13	7551001	CABLE WITH USA PLUG 125V 15A	7.48
13	7551003	CABLE WITH USA PLUG 250V 20A	10.16
13	7552001	CABLE WITH AUSTRALIAN PLUG	7.48
13	7554001	CABLE WITH ENGLISH PLUG	7.48
13	7555003	CABLE WITH SWITZERLAND PLUG	3.09
14	5053026LW	COVER	2.53
15	5191511	SPACER	0.77
16	5522076	TERMOPID PLATE	2.12
17	5191510	SPACER	0.14
18	7665529	DISPLAY	19.84
19	7372507	SWTCH PROTECTION PLASTIC	1.52
20	7633626	RED LED	2.34
21	7633326	BIPOLAR SWITCH LEVER	1.32
22	5660523	MEMBRANE	13.07
23	7636603	STRIP-LINE 7 POLES	0.38

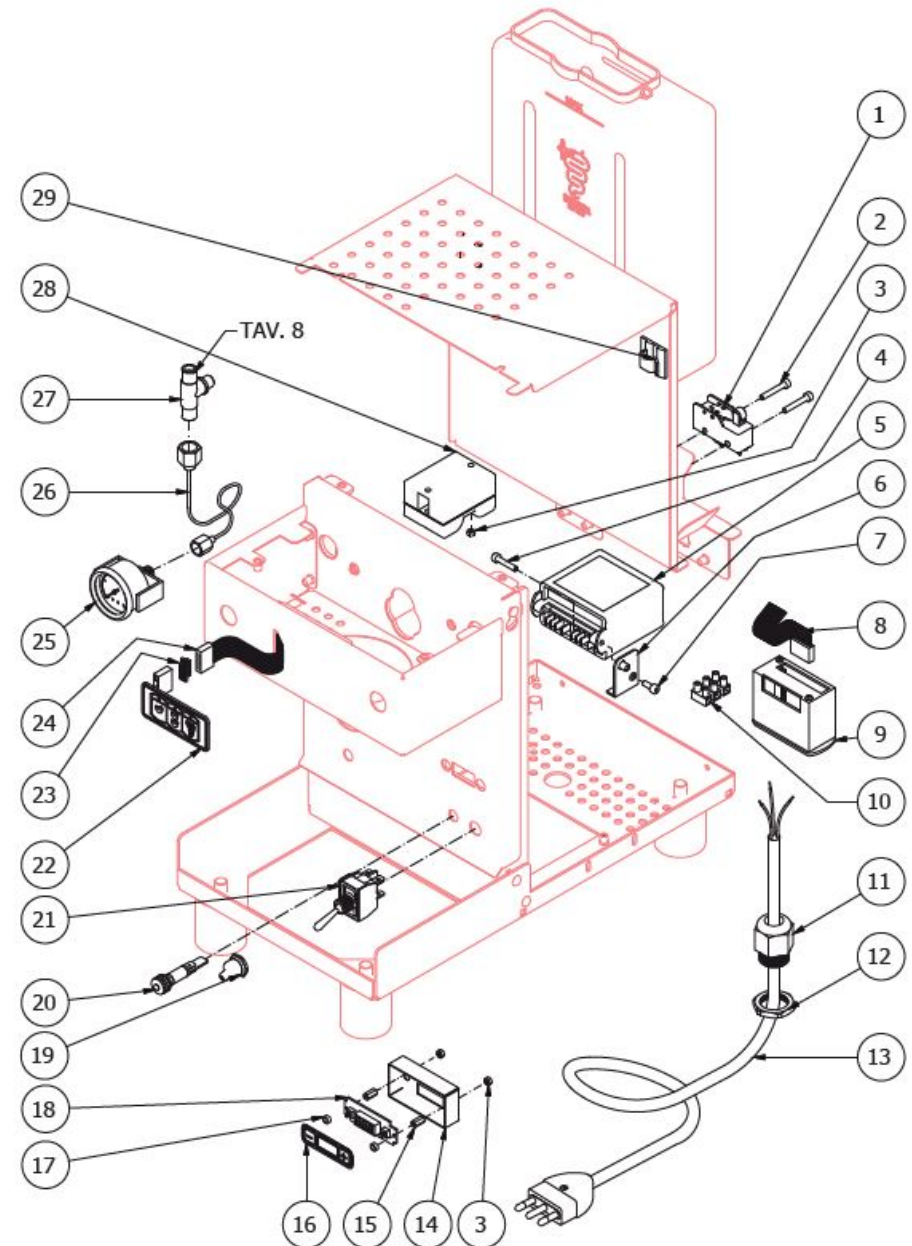
TABLE 7A
BZ13 Mod. DE

TABLE 7A
BZ13 Mod. DE

POS	CODE	DESCRIPTION	PRICE
24	7663580.01	CONNECTING CABLE MEMBRANE	6.80
25	7432523	PRESSURE GAUGE D40 16BAR	9.29
26	7400901	PRESSURE GAUGE CAPILLARY	2.38
27	5300513TR	UNION	2.54
28	7635424.01	RELAY	20.68
29	7611517	CLAMP	0.18

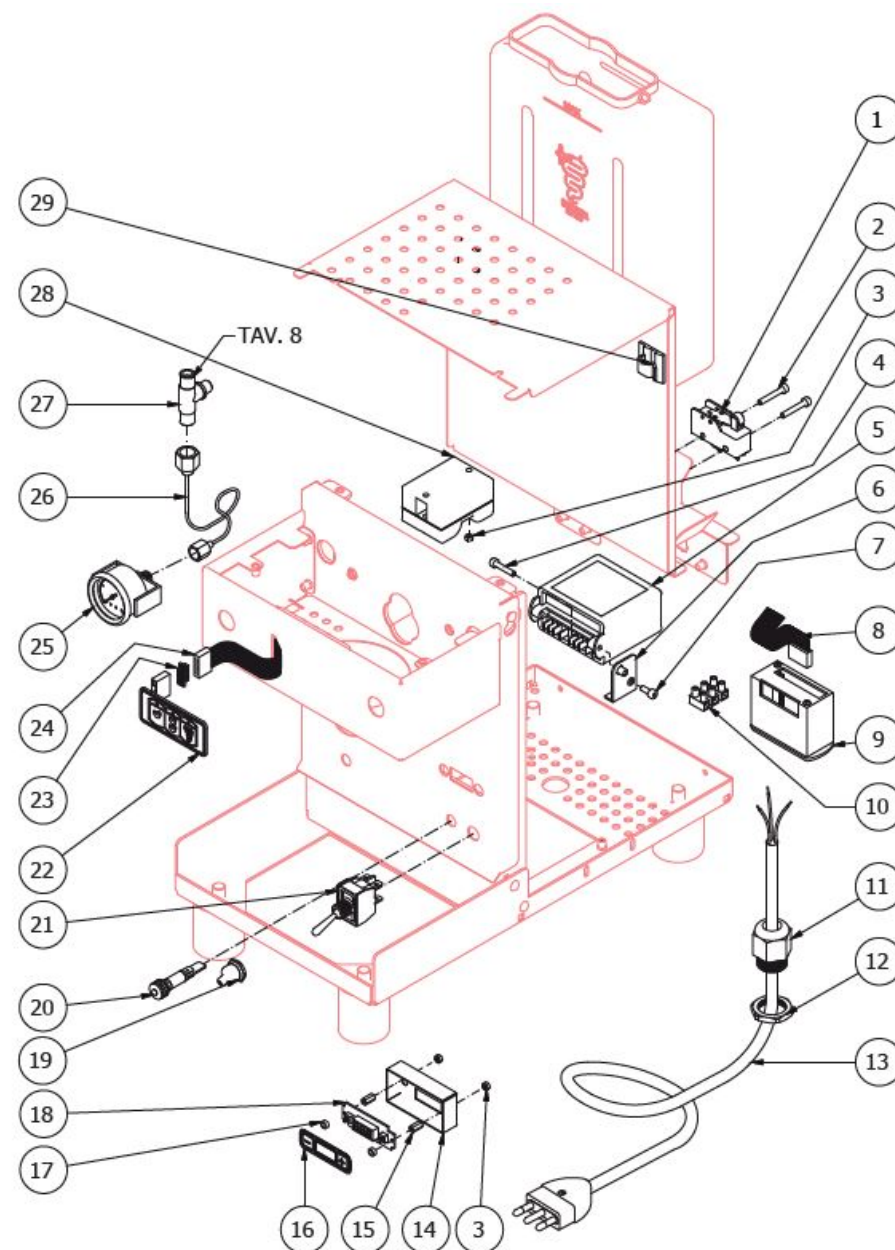
TABLE 7A
BZ13 Mod. DE

TABLE 8
BZ13

POS	CODE	DESCRIPTION	PRICE
1	5162185LL	EXCHANGER-GROUP SOLENOID VALVE HOSE	2.32
2	5223005TP	JET M6 X 6 HOLE D1.2 OT	0.54
3	5162361LL	HOSE FOR SOLENOID VALVE OF GROUP	3.52
4	5301504TR	UNION ELBOW 1/8"	1.66
5	7701112	SOLENOID VALVE 3 WAY 115V PARKER	28.90
5	7702311	SOLENOID VALVE 3 WAY 230V PARKER	28.90
5	7702410	SOLENOID VALVE 3 WAY 240V PARKER	28.90
6	7703014	SOLENOID VALVE WITHOUT COIL PARKER	20.27
7	7630332	SOLENOID VALVE COIL 115V PARKER	8.55
7	7630331	SOLENOID VALVE COIL 230V PARKER	8.55
7	7630330	SOLENOID VALVE COIL 240V PARKER	8.55
8	5300513TR	UNION	2.54
9	5370313	RUBBER-HOLDER	0.54
10	5194559LL	SURPRESSION VALVE HOSE	3.83
11	5221844	NUT 1/8"	0.14
12	7815001	WASHER D10 UNI 6592 A2	0.09
13	5283018CM	DRAIN FITTING FOR SURPRESSION VALVE 1/8*G CHROMED	2.75

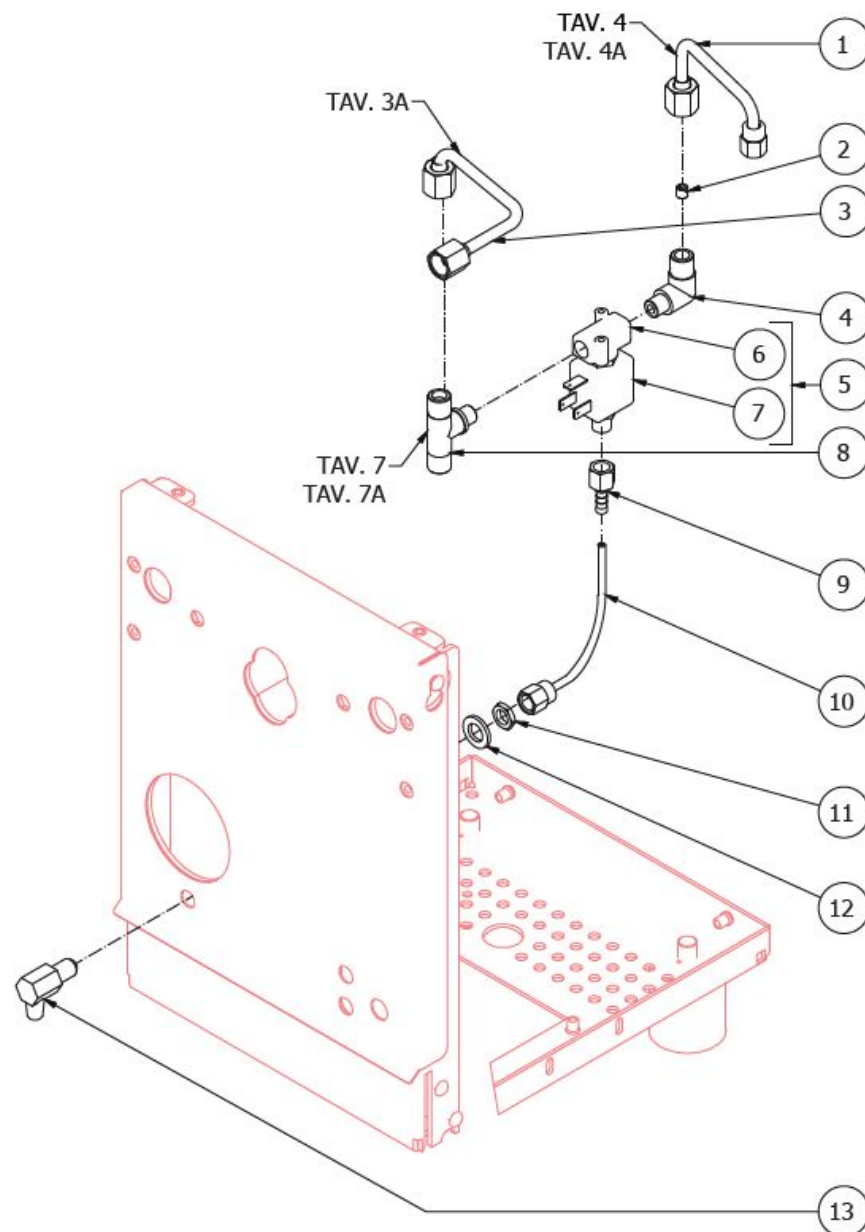
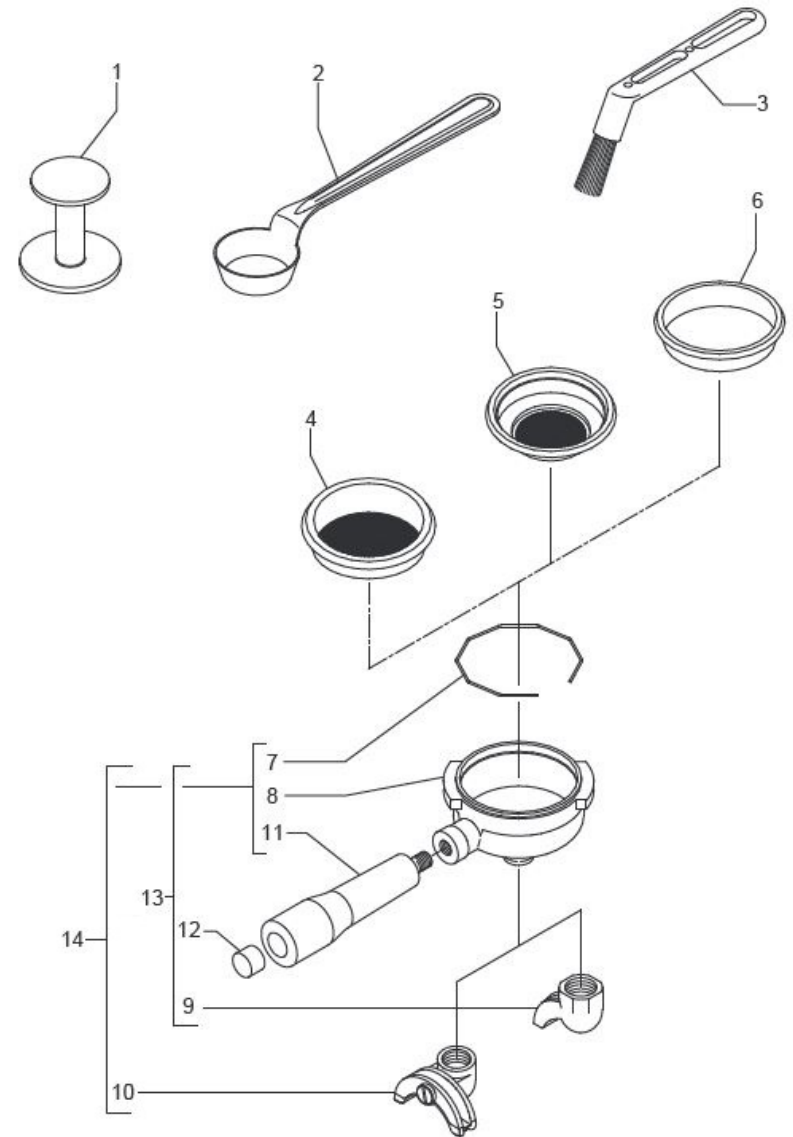
TABLE 8
BZ13

TABLE 9
BZ13

POS	CODE	DESCRIPTION	PRICE
1	5373001	COFFEE-PRESS	1.35
2	5372101	MEASURER	1.41
3	7990603	CLEANING BRUSH	2.82
4	5471035	FILTER 2 CUPS 16 GRAMS AISI 304 WITH RUN CHANNEL	2.10
4	5471021.01	FILTER 2 CUPS 12 GRAMS AISI 304 WITH RUN CHANNEL	2.23
5	5471031.01	FILTER 1 CUP 8 GRAMS WITH RUN CHANNEL	2.23
6	5471003	BLIND FILTER	1.01
7	5471527	FILTER-HOLDER SPRING D1.2 AISI 302	0.21
8	5286016TW	FILTER-HOLDER	14.49
9	7288505TW	SPOUT 1 WAY SHORT	1.86
10	7288501TW	SPOUT 2 WAY SHORT	2.14
11	7371502	KNOB POLISHED	2.87
12	5373915CM	KNOB CHROME CAP	0.83
13	5965603R	ASSEMBLY FILTER-HOLDER 1 CUP	19.16
14	5965604R	ASSEMBLY FILTER-HOLDER 2 CUPS	19.83

TABLE 9
BZ13





G. BEZZERA S.R.L.
MACCHINE PER CAFFE' ESPRESSO
Via Luigi Bezzera, 1
20088 Rosate - Milano - Italy
Tel. ++39 02 90848102 r.a. - Telefax ++39 02 90870287
Web: www.bezzera.com
e-mail: admin@bezzera.it