

GAGGIA® RI8260/01-47



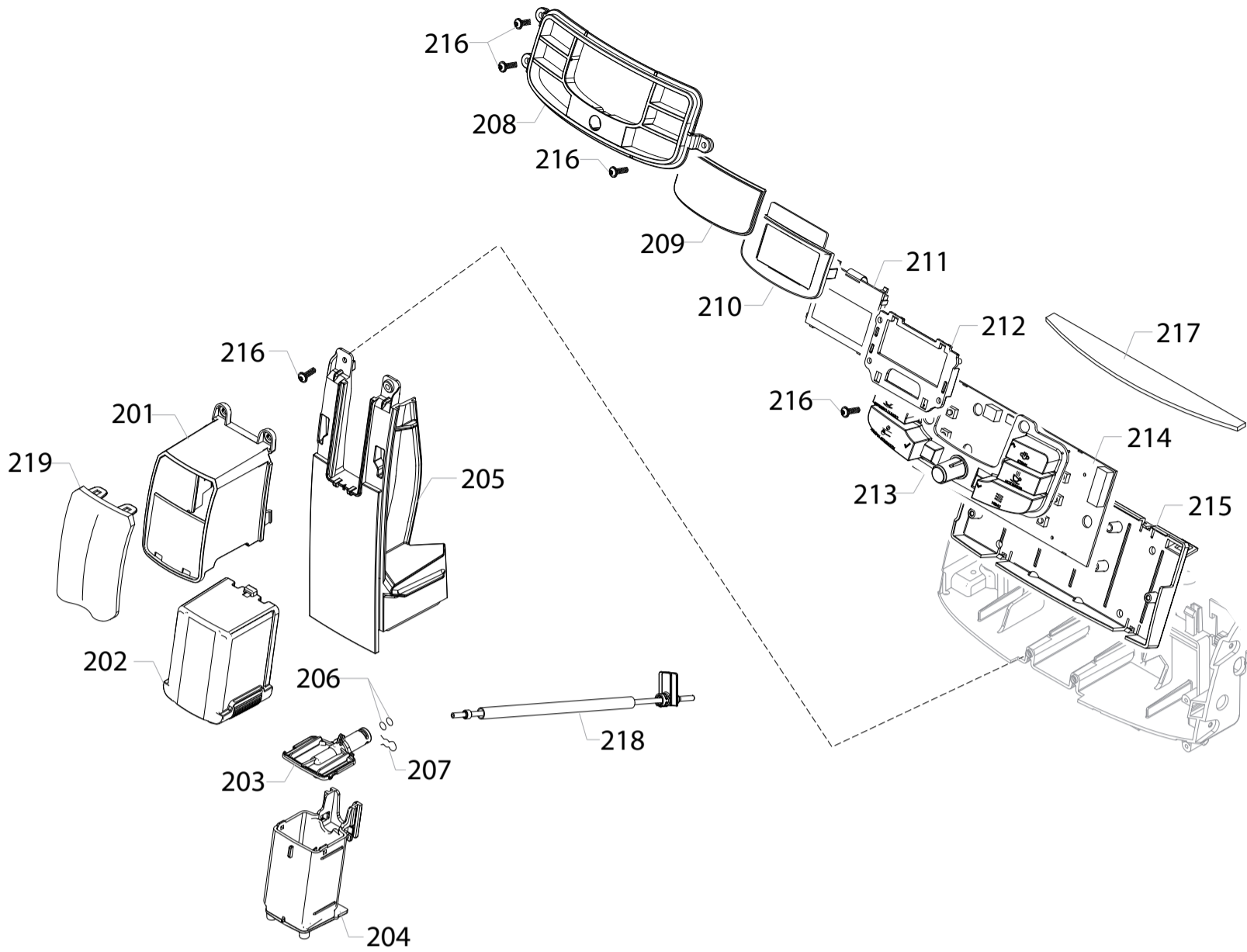
Cod.886826001010-886826047540

POS	12NC	DESCRIPTION	NOTE	POS	12NC	DESCRIPTION	NOTE
101	421946017941	KLUBERLUB NH1 11-222 TUBE 5GR.		138	421944017971	BLK PWR/CPU BOARD PROTECTION V2 P0057	
102	996530011867	BRUSH FOR CLEANING		421944050551	GRY PWR/CPU BOARD PROTECTION V2 P0057/UL	USA	
103	996530025808	BLK POWER CABLE SCHUKO L=1200		139	421944022751	BLK HINGE FOR REAR CASING XSM.	
	996530025843	BLK POWER CABLE SJT3 USA UL L=1200		140	421944022731	BLK HINGE FOR DOOR RIGHT SIDE XSM	
104	421944033301	BLK ABS COFFEE MEASURE SMART		141	421946036691	DISPL.BOX NP5/P-H GAG VELASCA	
106	996530039604	STICKER FOR WATER HARDNESS TEST		142	421944058831	BLK COF.GRINDER SOUNDPROOFING COV.V3 NPR	
107	421944058821	TR/GRY BEAN C.CONT.LID V2 NP5/P-H-T		143	996530007819	SCREW TCBR TORX 10 3,5X12 PLAST.ZN-N	
	421944061481	TR/GRY BEAN C.CONT.LID V2 NP5/P-H-T ASSY	RI8260/47	144	421944016761	SCREW TCBR TORX 10 3,5X12 PLAST.ZN-NI	
108	421944050321	TRANSP/NAT GROUND COF.HOPPER LID SMRA		145	996530067437	BLK CAPACIT.SENSOR DEADLOCK INSERT XSM	
109	421944054041	NAT/GRY BEAN COFFEE CONTAINER NP5		146	996530069857	STEEL PLATE FOR DOOR MAGNET XSM	
110	421944052991	BLK UPPER CASING COVER V3 NPR/B-P		147	996530050555	MAGNET FOR FLOAT SUPERAUT.	
111	421946036651	BLK FR.PANEL S/SCR.GAG VELASCA NP5/H-P		148	996530013156	SCREW TCB TORX 10 3X8 PLAST.ZN-B	
112	996530069844	TRANSP.COVER INFRAREDS ACCESS NPR/T		149	996530073209	MICROSWITCH XG/V3D	
113	996530068729	BLACK LEFT SIDE CASING NPR		150	996530068711	KIT PS-E INSERT FOR BOX NPR/H-P	
114	996530072415	BLK COFFEE GRINDER SUPP.PLATE V2 NPR/H-P		151	996530072903	MATT/BLACK FRONT PANEL CAP NPR/H-P	
115	421941282512	BLK CASING BOTTOM INSERT V2 NPR		152	421941310491	KIT SPARES BLK DRIP TRAY NPR/H-P	
116	996530068723	BLACK DRIP TRAY GUIDE NPR		153	421941310011	KIT SPARES WATER GEN.CONT.NPR	
117	421324705256	TRANSPARENT SILICONE FOOT		996530073256	KIT SPARES WATER CONT+MATT/BLK FRONT ASS	RI8260/47	
118	996530072525	MATT/BLACK DUMP BOX NPR/H-P		154	996530073867	2P.CONN.SENSOR REED DOOR V2 MYB9 UL ASSY	RI8260/47
119	996530072533	BLACK DRIP TRAY V2 NPR/H-P					
120	421941304791	RED/3003 FLOAT FOR DRIP TRAY XSM					
121	421944053231	SB/SA GRATE FOR DRIP TRAY V2 NPR/H-P					
122	421944040061	BLK LID FOR WATER CONT.VALVE V2 P0049					
123	421944040781	BLK GASKET FOR WATER CONT.VALVE V2 P0049					
124	421944040071	BLK WATER CONT.VALVE INSERT V2 P0049					
125	996530001831	SS SPRING FOR WATER CONTAIN.VALVE P0049					
126	996530013571	OR ORM 0190-10 EPDM					
127	996530029115	WHITE WATER CONTAINER EXT.FILTER ASSY.					
128	421944053072	NAT/GRY WATER CONT.LONGFILT V2 NPR ASSY					
	421944056301	NAT/GRY WATER CONTAINER V2 NPR ASSY	RI8260/47				
129	996530072456	MATT/BLACK WATER TANK FRONT COVER NPR					
130	421944040591	M/BLK RIGHT SIDE DOOR V4 NPR					
131	421941306721	CPU+SW WATER LEVEL SENSOR V3 ASSY.					
132	421946000081	3P.CONN.WATER LEVEL V2 CLP UL ASSY.					
133	996530068749	BLK CAPACIT.SENSOR LOCKING INSERT NPR					
134	996530072437	CUP SOCKET V3 EN 60320 C 13					
135	996530068714	BLACK REAR CASING NPR					
136	996530068728	BLACK REAR CASING PROGRAM.INSERT NPR					
137	421941308261	CPR+SW NPR V2/H ASSY.	230V				
	421941308511	CPU+SW NPR/H-P V2 USA ASSY.	120V				

GAGGIA®

GAGGIA VELASCA CMF

TABLE 1/6

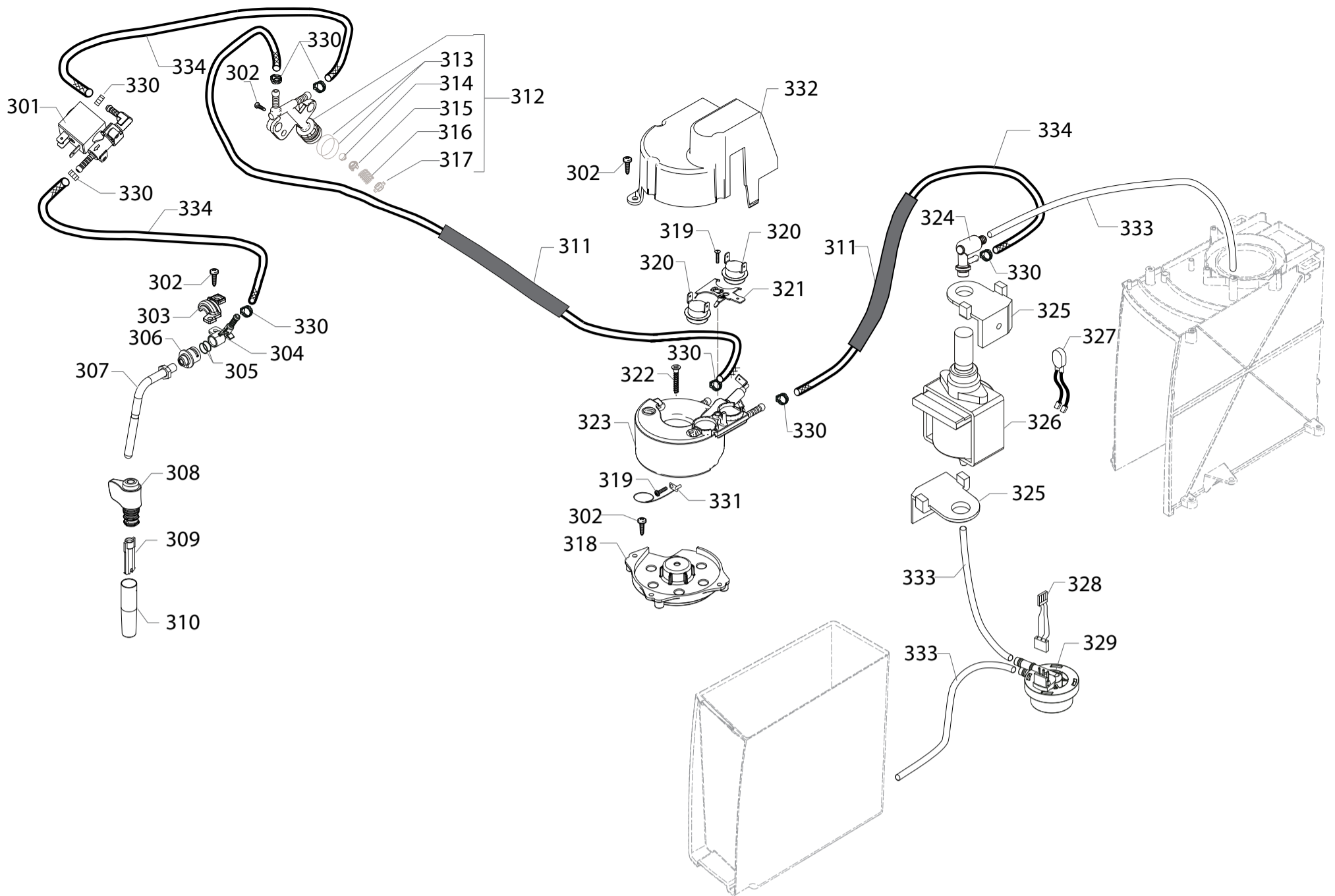


GAGGIA® RI8260/01-47



Cod.886826001010-886826047540

POS	12NC	DESCRIPTION	NOTE	POS	12NC	DESCRIPTION	NOTE
201	996530072512	M/BLK COFFEE DISPENSER LID NPR					
202	996530068698	BLACK COFFEE DISPENSER MOBILE PART NPR					
203	996530068742	BLACK COFFEE DISPENSER BODY LID NPR					
204	996530071881	BLACK COFFEE DISPENSER BODY V2 NPR					
205	996530072527	MATT/BLACK FRONT CASING COVER V2 NPR					
206	996530013564	OR 2015 SILICONE PTFE/FDA					
207	996530048885	SS FORK FOR TUBE D=4					
208	421944056831	GCAS 7BUTT.TOUCH PANEL FRAME NP5/H-P					
209	996530068675	TRANSP.GLASS FOR DISPLAY NPR					
210	996530068673	BLACK DISPLAY FRAME NPR					
211	421941307861	DISPLAY HIGO FL					
212	996530068682	BLACK DISPLAY SUPPORT NPR					
213	421944053441	BLK 7BUTTONS TOUCH PANEL S/SCR.NP5/P					
214	421941308161	KEYBOARD NPR V2/T					
	421941308201	KEYB NPR/H 120V USA	RI8260/47				
215	996530071879	BLACK DISPLAY KEYBOARD SUPPORT V2 NPR					
216	996530007819	SCREW TCBR TORX 10 3,5X12 PLAST.ZN-N					
217	996530069814	BLACK ADHESIVE AERSTOP NPR					
218	996530073357	TEFL.TUBE 2X4 L=235+PLATE+2BUSH NPR ASSY					
219	996530072797	M/BLK COF.DISPENSER FRONT PLATE NPR/T					

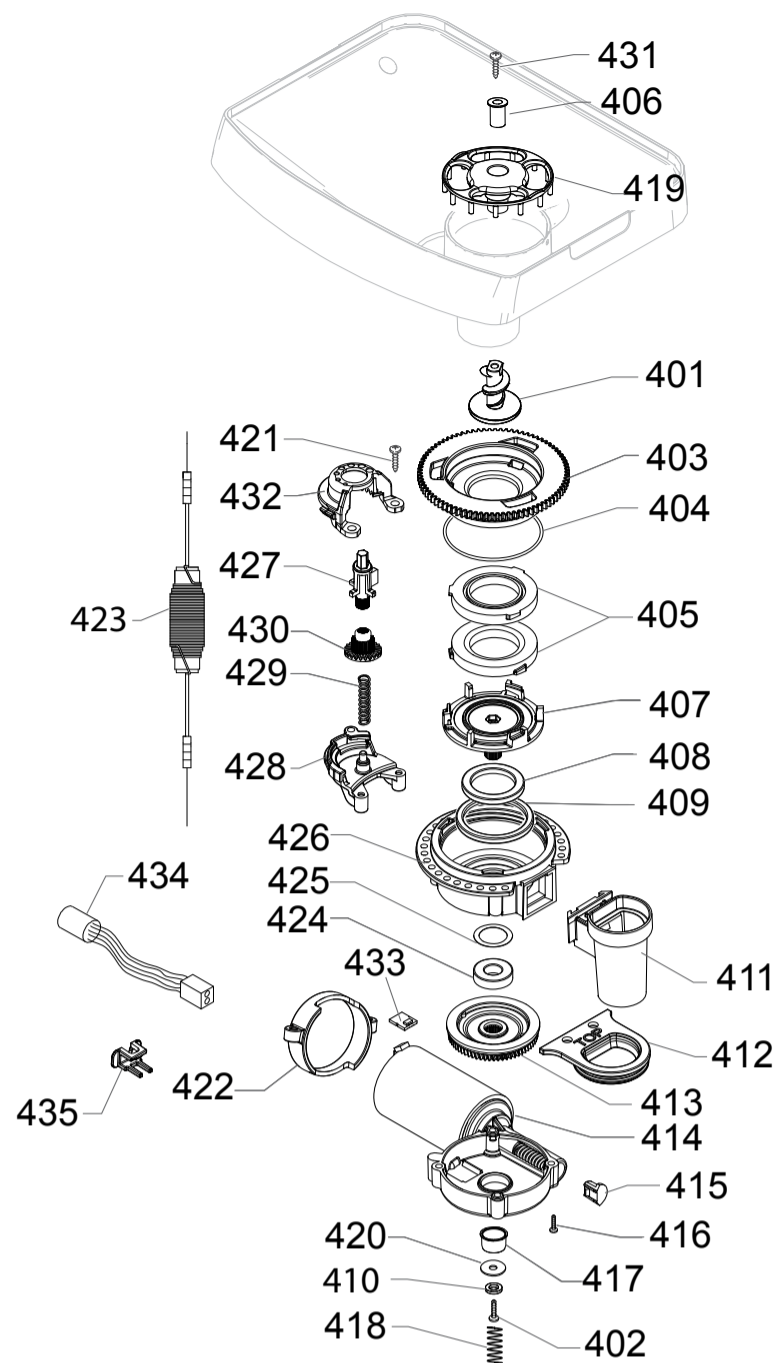


GAGGIA® R18260/01-47



Cod.886826001010-886826047540

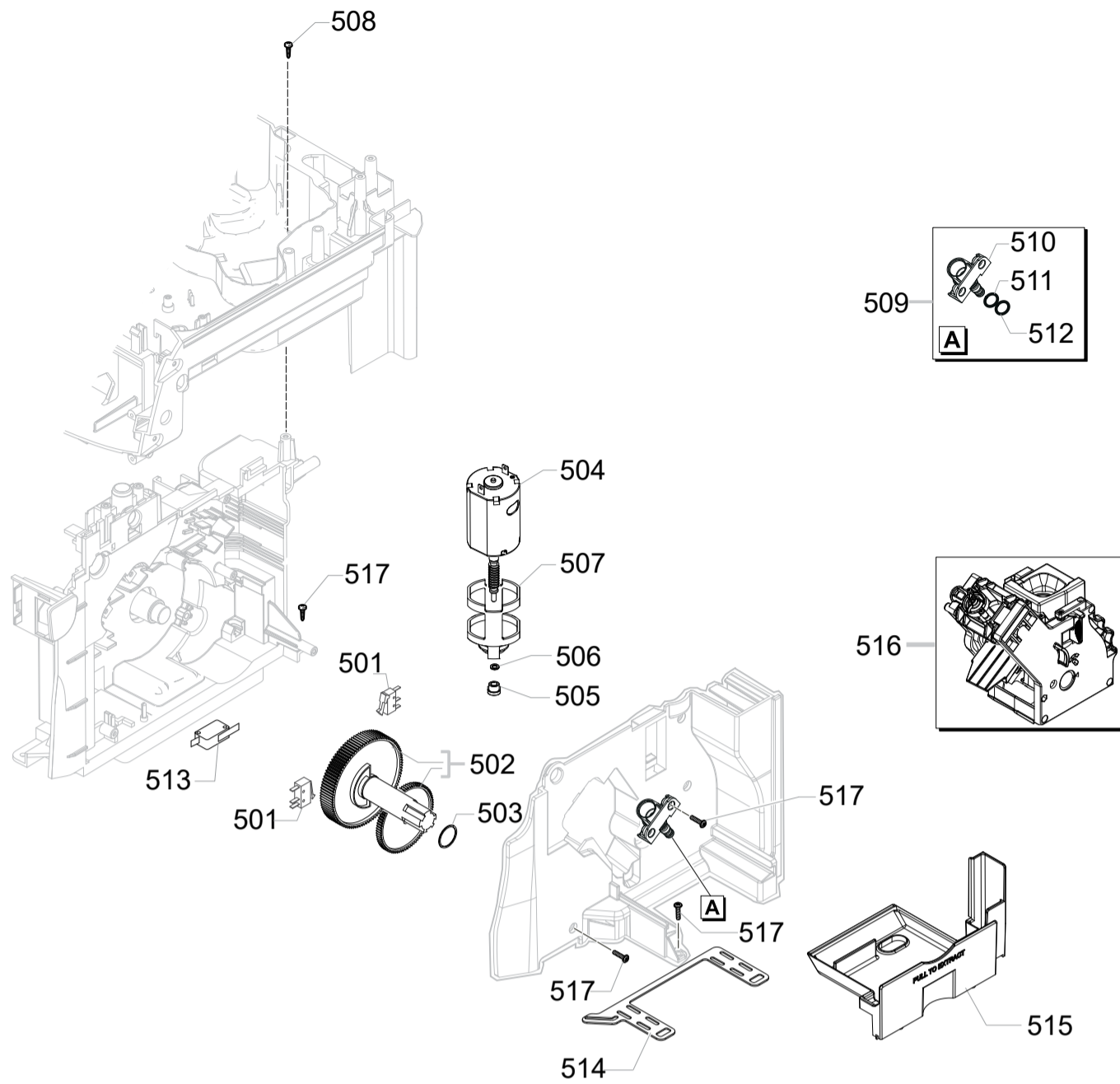
POS	12NC	DESCRIPTION	NOTE	POS	12NC	DESCRIPTION	NOTE
301	421944026251	2WAY SOLENOID VALVE V2 NPR/H-P 24V ASSY.					
302	996530007819	SCREW TCBR TORX 10 3,5X12 PLAST.ZN-N			421944056011	GEN.TUB.BOILER NP5 1900W 230V ASSY	COMPLETE
303	996530006914	BLK FORK FOR STEAM TUBE GXSM			421944046141	GEN.TUB.BOILER XS4 1300W 120V ASSY.	COMPLETE
304	421944028161	STEAM TUBE SUPPORT PPS P0057					
305	996530013509	OR ORM 0060-20 NBR FDA					
306	996530005979	BLK PA6 BUSH FOR STEAM TUBE P0057					
307	996530068662	TF/CHROM.STEAM TUBE D=5,4 NPR ASSY.					
308	421941300671	BLK/SIL.STEAM TUBE HANDGRIP G0053					
309	996530000925	BLACK PANNARELLO INTERNAL TUBE P0049					
310	996530001012	BLACK PANNARELLO COVER P0049					
311	996530009523	TRANSPAR.10,5X12,3 SILICONE TUBE	IN ROLL				
312	996530068077	FLOW SELECTOR FAUCET NPR					
313	NOT AVAILABLE	SEE POS 12					
314	NOT AVAILABLE	SEE POS 12					
315	NOT AVAILABLE	SEE POS 12					
316	NOT AVAILABLE	SEE POS 12					
317	NOT AVAILABLE	SEE POS 12					
318	421941215942	BLK SLIM/EXSL TUB.BOILER SUPPORT V2					
319	996530069758	SCREW TCB TORX 20 M4X8 AUTOFORMING ZN-B					
320	996530007973	THERMOSTAT ONE SHOT 190°					
321	996530000997	TUB.BOILER V3 UPPER THERM.FIXING SPRING					
322	996530008024	SCREW TSP TORX 10 5X20 PLAST.ZN-B					
323	421944028841	TUB.BOILER XS4 ASSY.	230V-1900W				
	421944046121	TUB.BOILER XS4 1300W ASSY.	120V-1300W				
324	996530068178	L-F/BR.SAFETY VALVE 16-18 BAR ASSY.					
325	996530018056	BLACK TYPE ULKA PUMP W/BEVEL SUPPORT					
326	421941305991	ULKA PUMP EP5FMGW	230V-50HZ				
	996530007754	ULKA PUMP EAP5/S	120V-60HZ				
327	421946000131	2P.CONN.PUMP V2 CLP UL ASSY.					
328	421946000141	3P.CONN.FLOWMETER V2 CLP UL ASSY.					
329	996530059843	TURBINE D=1,2 932-8521/00 ASSY.					
330	996530007947	OETIKER CLAMP D=9,5 16700004					
331	996530026997	TEMPERATURE SENSOR NTC UL L=280MM					
332	421941284802	GRY BOILER INSULATING COVER NPR					
333	996530057357	SILICONE TUBE 5X10 60SH	IN ROLL				
334	996530009505	5X8,9 SILICONE TUBE	IN ROLL				


GAGGIA® R18260/01-47

Cod.886826001010-886826047540

POS	12NC	DESCRIPTION	NOTE	POS	12NC	DESCRIPTION	NOTE
401	996530005586	TEA/ZAMA INCREASE SCREW GRINDER					
402	996530012928	SCREW TCB TORX 20 M4X30 ZN-B					
403	421941094152	BLK COF.GRINDER UPPER GRINDER SUPPORT V2					
404	996530013577	OR ORM 0530-15 NBR FDA					
405	996530016342	BAKED CLAY GRINDER 48X28					
406	996530006412	BRASS BUSH BEAN CONT.FINGER PROTEC.P0057	230V				
407	996530017952	BLK LOWER COFFEEGRINDER GRINDER SUPPORT					
408	996530011183	AXIAL BEARING EKKO 342.35252					
409	996530013597	FELT RING 45,4X39,4X4					
410	996530012341	GALV.WASHER UNI 8842 A4					
411	996530068049	BLK GROUND COFF.OUTLET CONVEYOR V4 ASSY.					
412	421944060561	GRY GROUND COF.CONT.LOWER SEAL V2 SMART1					
413	996530029609	GEAR SX Z=38 FOR GRINDER MOTION ASSY.					
414	421944049151	MOTOR COFFEEGRINDER V3.2 ASSY.	230V				
	421941305001	MOTOR COFFEEGRINDER V3.1 ASSY.	120V				
415	996530018139	MC V3 MOD=1,25 WORM SCREW CENTRING CAP					
416	996530012992	SCREW TCB TORX 3,5X30 PLAST.ZN-B					
417	996530001389	INSULATOR BUSH FOR GRINDER MOTOR P124					
418	996530000376	COFFEE GRINDER SUPPORT SPRING P124					
419	996530007058	BLK V2 BEAN CONTAIN.FINGER PROTECT.P0057	230V				
420	996530012375	STEEL FLAT WASHER DI=4,3 DE=14 SP=1,5					
421	421944016761	SCREW TCB TORX 10 3,5X12 PLAST.ZN-NI					
422	996530000115	BLACK COFFEEGRINDER MOTOR SUPPORT P124					
423	421946031681	2P.CONN.COF.GRINDER MOTOR NP5 UL ASSY	230V				
	421946000121	2P.CONN.COF.GRINDER MOTOR V2 NPR UL ASSY	120V				
424	996530011182	RADIAL BEARING 61900.2RS1					
425	996530012374	STEEL CRINKLE WASHER 21,8X14X0,25					
426	996530015258	BLK UPPER BODY WITH COFFEE GROUND OUTLET					
427	421944025161	YLW BEAN COFFEE GRINDER INSERT SMR					
428	996530001314	LOWER COFFEEGRINDER GEAR SUPPORT P124					
429	996530001308	COFFEEGRINDER REGULATION SPRING P124					
430	996530001907	COFFEE GRINDING ADJUSTMENT GEAR P0049					
431	996530061808	ZN-B TCB SCREW M4X16	230V				
432	996530001296	UPPER COFFEEGRINDER GEAR SUPPORT P124					
433	996530022784	ELECTR.BOARD WITH SENSOR HAL506 SF-K	120V				
434	421946000091	3P.CONN.MC SENSOR V2 NPR UL ASSY.	120V				
435	996530072477	BLK WIRING FIX INSERT FOR GRINDER BOARD	120V				
					421944054091	GEN.MOTOR COF.GRINDER NP5 ASSY.	230V
					996530071878	GEN.MOTOR COF.GRINDER NPR ASSY.	120V

GAGGIA®
GAGGIA VELASCA CMF
TABLE 4/6

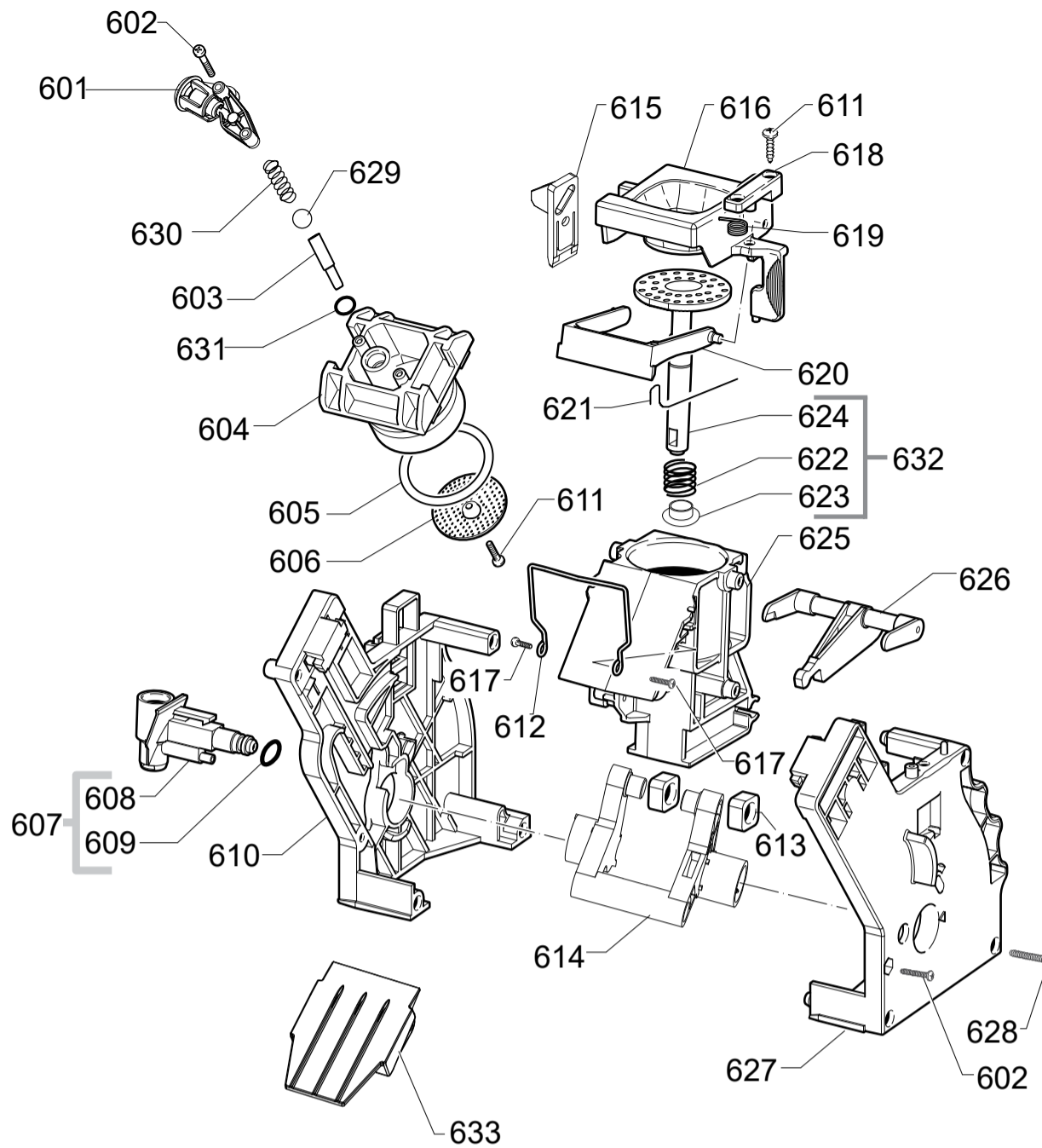


GAGGIA® R18260/01-47



Cod.886826001010-886826047540

POS	12NC	DESCRIPTION	NOTE	POS	12NC	DESCRIPTION	NOTE
501	421946025541	MICROSWITCH XC/SM1 V2					
502	996530009913	SPARES KIT GEARS FOR RATIOMOTOR V2					
503	996530050569	MYLAR WASHER FOR RATIOMOTOR					
504	996530002796	MOTOR FOR RATIOMOTOR P124 ASSY.					
505	996530049898	BRONZE SINTERED BUSH FOR MOTOR RATIOMOT.					
506	996530017424	BAKELIZZATE WASHER D=5,5					
507	996530049896	ANTIVIBRATION FOR MOTOR					
508	996530007819	SCREW TCBR TORX 10 3,5X12 PLAST.ZN-N					
509	421944060181	PIN FOR FLOW SEL.FAUCET V2 PPS P0057 AS					
510	421944059371	PIN FOR FLOW SELECT.FAUCET PPS V2 P0057					
511	996530059399	OR ORM 0090-20 SILICONE					
512	996530059419	OR ORM 0050-20 IN SILICONE					
513	996530073209	MICROSWITCH XG/V3D					
514	996530072515	BLACK SEAL FOR RATIOMOTOR PLATE NPR					
515	996530068732	GREY BREW UNIT DRAWER COFFEE NPR					
516	421944053951	BLK BREW UNIT 8GR.5BAR V4 HGO					
517	421944016761	SCREW TCBR TORX 10 3,5X12 PLAST.ZN-NI					



GAGGIA® R18260/01-47



Cod.886826001010-886826047540

POS	12NC	DESCRIPTION	NOTE	POS	12NC	DESCRIPTION	NOTE
601	421944065221	BLK BREW UNIT COF.OUTLET SLEEVE SMR ASSY					
602	996530007838	SCREW TCB TORX 10 3X25 PLAST.SS					
603	996530005372	BLK COUNTER PISTON TUBE BREW UNIT S0053					
604	996530001046	BLACK COUNTER PISTON BREW UNIT 8GR.P124					
605	996530059406	OR ORM 0320-40 SILICONE PTFE/FDA					
606	996530050709	PERCOLATOR DE=35,8 ELFO					
607	996530009825	BLACK WATER INLET SLEEVE BREW UNIT ASSY.					
608	996530050488	BLACK WATER INLET SLEEVE BREW UNIT ROYAL					
609	996530059441	OR 2025 IN TERMOIL					
610	996530050832	BLACK BREW UNIT REAR PLATE SMART					
611	996530007951	SCREW TSP TORX 10 3X10 PLAST.SS					
612	996530000898	SS BREW UNIT SPRING H=49 SMART					
613	996530050539	BLACK BREW UNIT DRILLED BLOCK					
614	421944051231	YLW BREW UNIT ELBOW SHAFT M5000					
615	421944046931	YLW BREW UNIT COUPLING PLATE V2 SMART					
616	996530018241	BLACK HOPPER DOSER BREW UNIT SMART1					
617	996530013148	SCREW TCB TORX 10 3,5X14 PLAST.SS					
618	421944050711	YLW BREWUNIT HOPPER BLOCKING PLATE SMART					
619	996530050838	SS HOPPER SPRING FOR BREW UNIT SMART					
620	996530002096	BLACK SCRAPER FOR BREW UNIT M5000					
621	996530050455	SS SCRAPER SPRING FOR BREW UNIT					
622	996530050627	SS.8GR.BREW UNIT PISTON SPRING					
623	996530050618	WHITE 8GR.-12GR.BREW UNIT PISTON BUSH					
624	421944025621	BLK BREW UNIT INTEGR.PISTON 8GR.V3 ASSY.					
625	421944014611	BLK COF.CONTAIN.BREW UNIT V2 M5000 ASSY.					
626	996530001452	BLACK CONNECTING ROD BREW UNIT 8GR.					
627	996530003228	BLACK BREW UNIT FRONT PLATE S/SCR.SMART					
628	996530007953	SCREW TCB TORX 10 3,5X20 PLAST.SS					
629	421944034451	BOROSILICATE SPHERE D.5 MM					
630	996530006305	SS COFFEE UNIT CONTERPISTON SPRING S0053					
631	996530013575	OR ORM 0060-15 TERMOIL					
632	421944029791	BLK BREW UNIT 8GR.INT.PISTON GEN.V3 ASSY					
633	996530073322	BLK BREW UNIT CONVEYOR SLIDE L=76,8					
	421944053951	BLK BREW UNIT 8GR.5BAR V4 HGO					