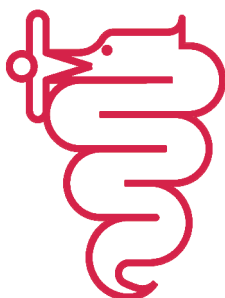


# BZ07



**BEZZERA**

Dal 1901

**COD. 9942035.06**

**REV.00**



TABLE 1

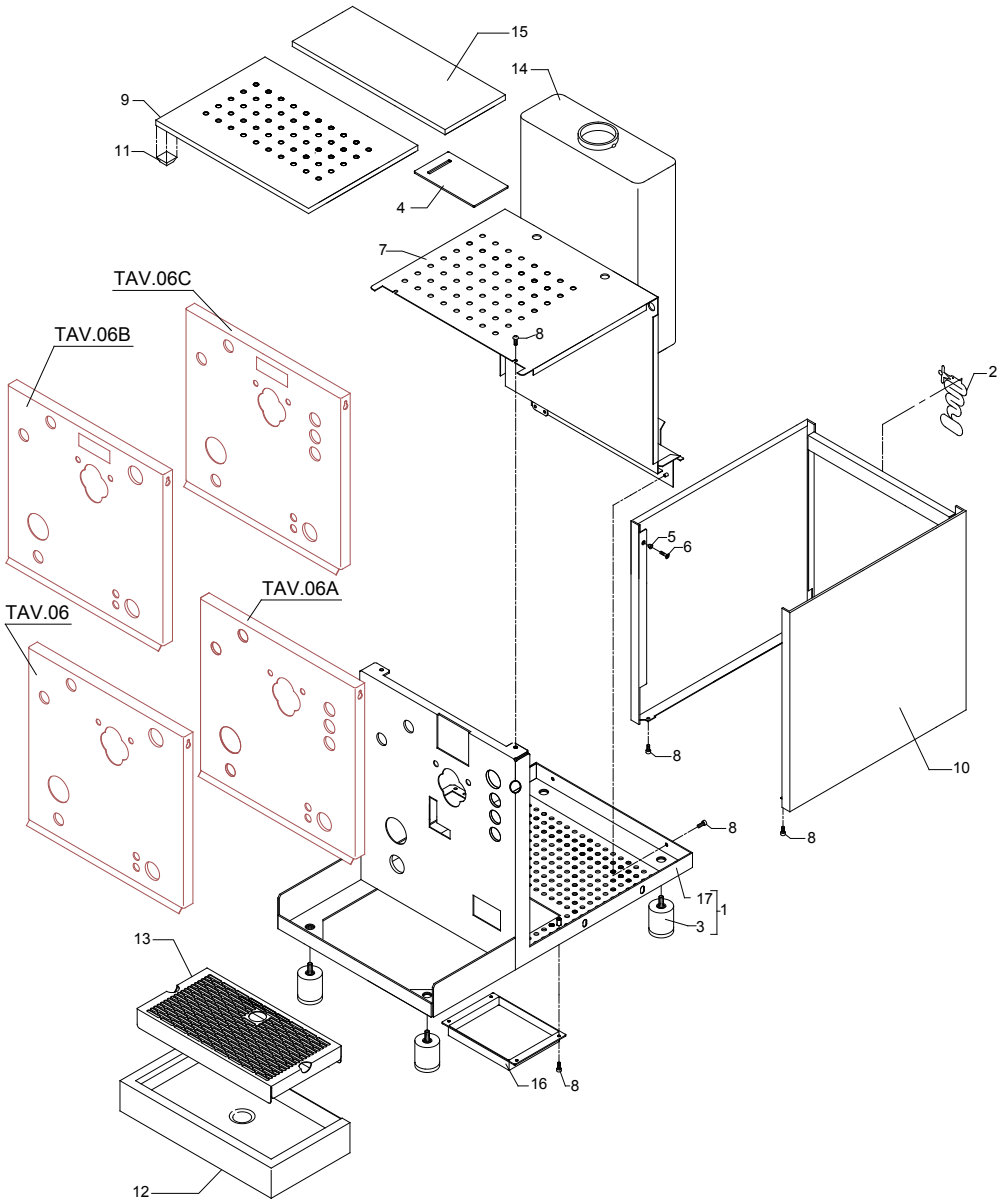




TABLE 2 (up to 30.09.08)

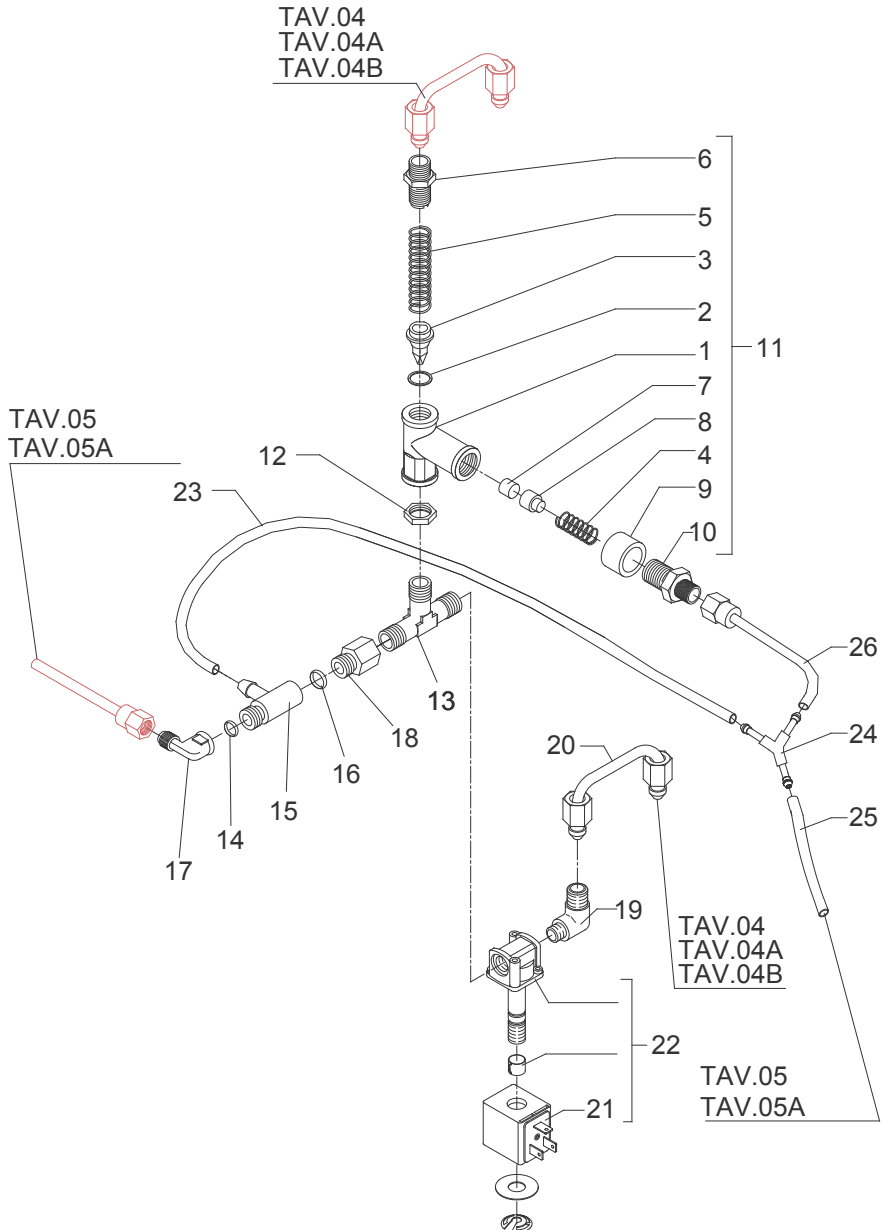




TABLE 2 (up to 18.03.13)

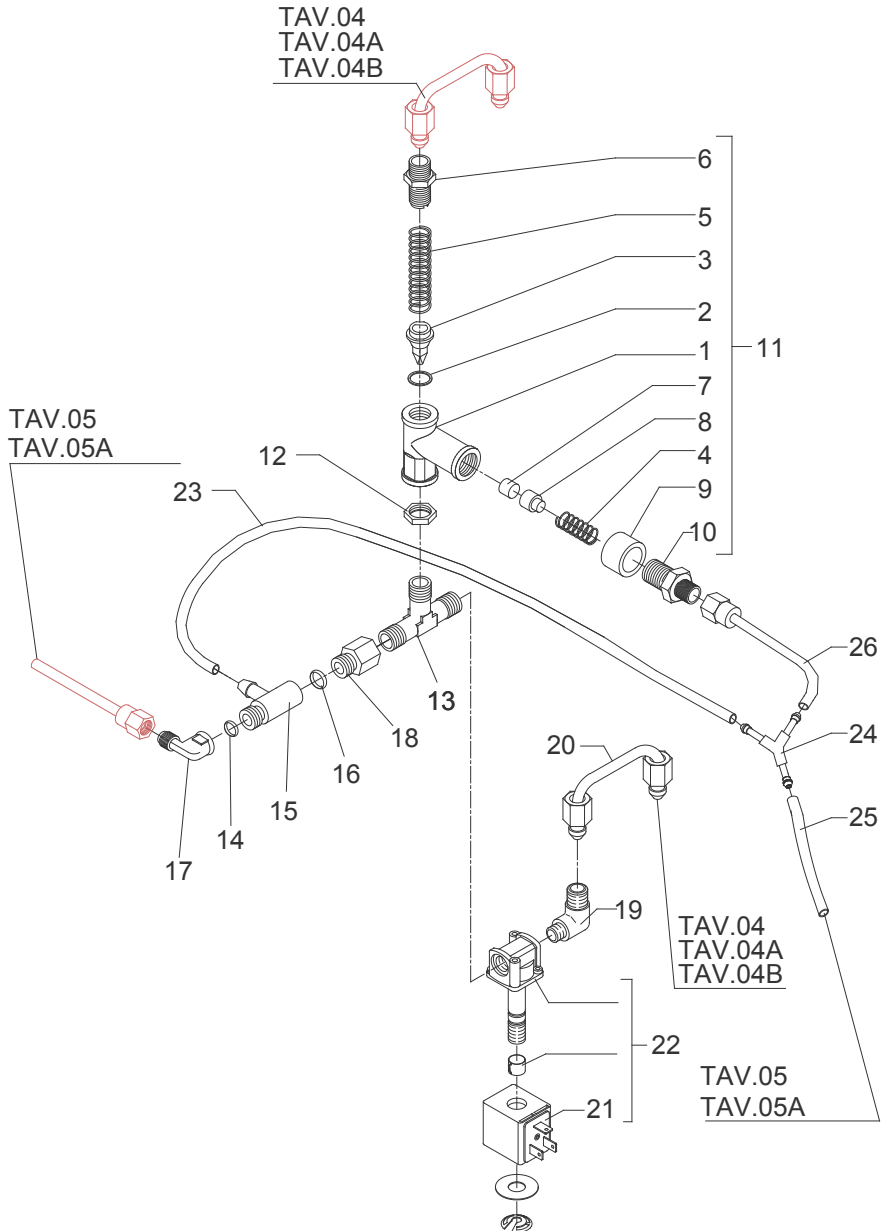
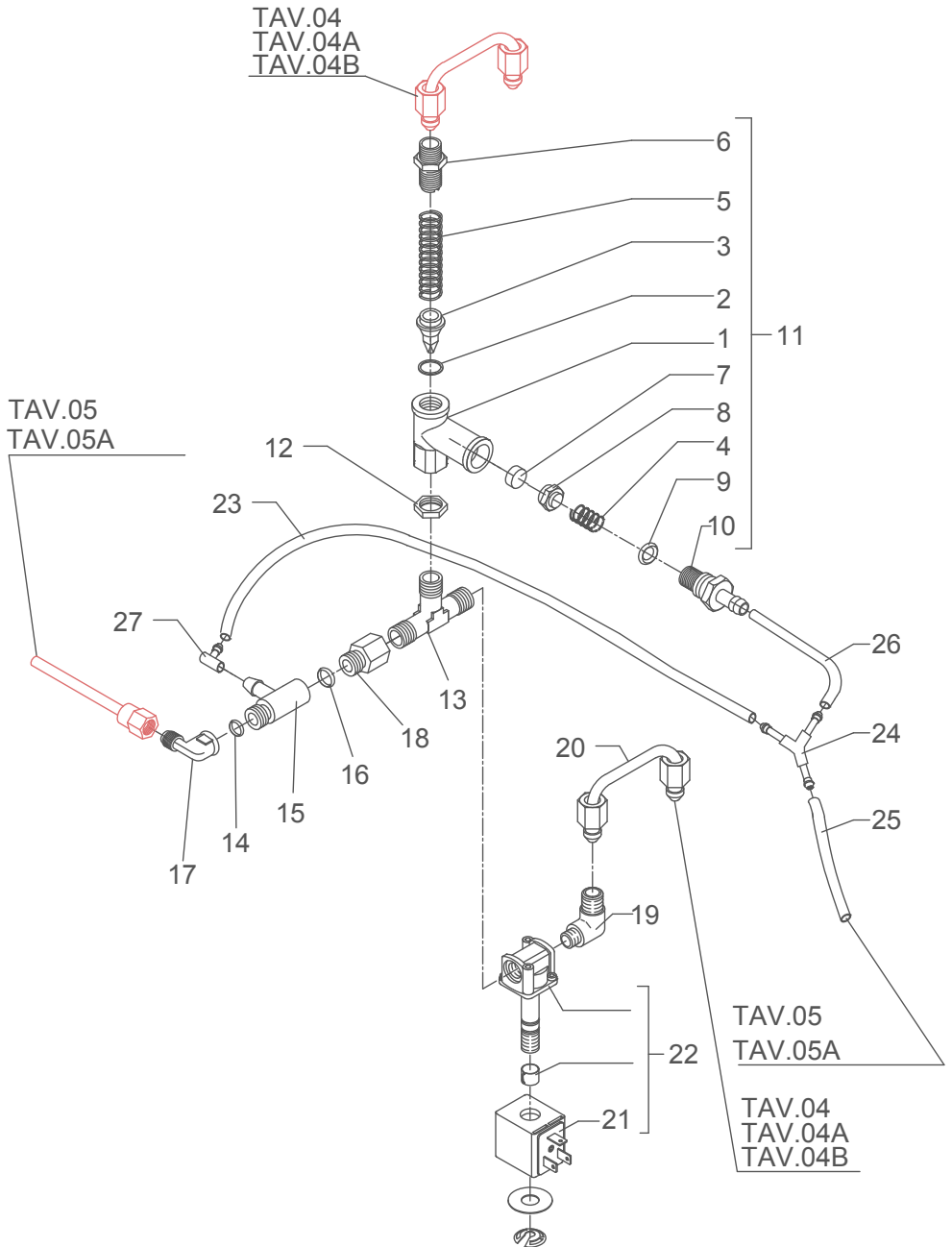






TABLE 2 (from 19.03.13)



| <b>POS</b> | <b>CODE</b>  | <b>DESCRIPTION</b>                        |
|------------|--------------|---|
| 1          | 7371511.01   | LEVER KNOB                                |
| 2          | 5222823CM    | RING NUT 3/8"G H17                        |
| 3          | 5225608      | ARTICULATION M8 INOX                      |
| 4          | 5260203DL    | SHAFT D12X47                              |
| 5          | 5471513      | SPRING                                    |
| 6          | 5261801      | WASHER D11                                |
| 7          | 5494004      | GASKET D12 X 6 PTFE GRAPHITIZED           |
| 8          | 5221826CM    | NUT 3/8"G ES.22X5                         |
| 9          | 5283047TW    | TAP BODY OT                               |
| 10         | 5496042      | GASKET D11X4X4 EPT 70 (C6)                |
| 11         | 5224603TP    | GASKET-HOLDER                             |
| 12         | 5964084AL    | ASSEMBLY TAP                              |
| 13         | 5225410TP    | FITTING M14XM13 H26                       |
| 14         | 5966548AL    | ASSEMBLY WATER HOSE                       |
| 15         | 7496072      | OR GASKET 121                             |
| 16         | 5471532      | SPRING                                    |
| 17         | 5190501      | COMPLETE CUP                              |
| 18         | 5221872TW    | NUT 3/8"G                                 |
| 19         | 7496073      | OR GASKET 115 EP856                       |
| 20         | 5225607TW    | WATER HOSE CHROMED                        |
| 21         | 7496003      | OR GASKET 108 VITON                       |
| 22         | 5226610TW    | WATER HOSE TERMINAL D23.5X18 OT CHROMED   |
| 23         | 5493003      | GASKET D20.5X15 H1.5 NBR 70SH             |
| 24         | 5226601TW    | WATER HOSE TERMINAL M22 CHROMED           |
| 25         | 7479958      | ASSEMBLY STEAM HOSE TERMINAL 4 HOLES      |
| 26         | 7371003      | INSULATING                                |
| 27         | 7496083      | OR GASKET D4.5X1.5 NBR 70                 |
| 28         | 7305010      | TERMINAL 4 HOLES                          |
| 29         | 7305013      | TERMINAL 2 HOLES                          |
| 30         | 7479975      | ASSEMBLY STEAM HOSE TERMINAL 2 HOLES      |
| 31         | 5221872TW    | NUT 3/8"G                                 |
| 32         | 7496073      | OR GASKET 115 EP856                       |
| 33         | 5963097.01   | ASSEMBLY HEATING ELEMENT 110V             |
| 33         | 5963098.01   | ASSEMBLY HEATING ELEMENT 220/240V         |
| 34         | 5221863CM    | CAP NUT M8 CHROMED                        |
| 35         | 7816014      | SCREW M8X20 UNI5931 A2                    |
| 36         | 7816001      | SCREW TCEI M5X12 UNI5931 A2               |
| 37         | 5283046TW    | DELIVERY GROUP BODY                       |
| 38         | 7496004      | OR GASKET 139                             |
| 39         | 5280502TW    | COUPLING RING OT CHROMED                  |
| 40         | 7493016      | GASKET H 9,3 NBR 75SH                     |
| 41         | 5285501TP    | SHOWER-HOLDER D57                         |
| 42         | 5470501      | SHOWER D57 AISI 304                       |
| 43         | 7817001      | SCREW TPS M5X16 A2                        |
| 44         | 5963548.01AL | ASSEMBLY DELIVERY GROUP                   |
| 45         | 7634808      | THERMIC SAFETY DEVICE 250V 95°C AUTOMATIC |

TABLE 3 (up to 30.11.08)

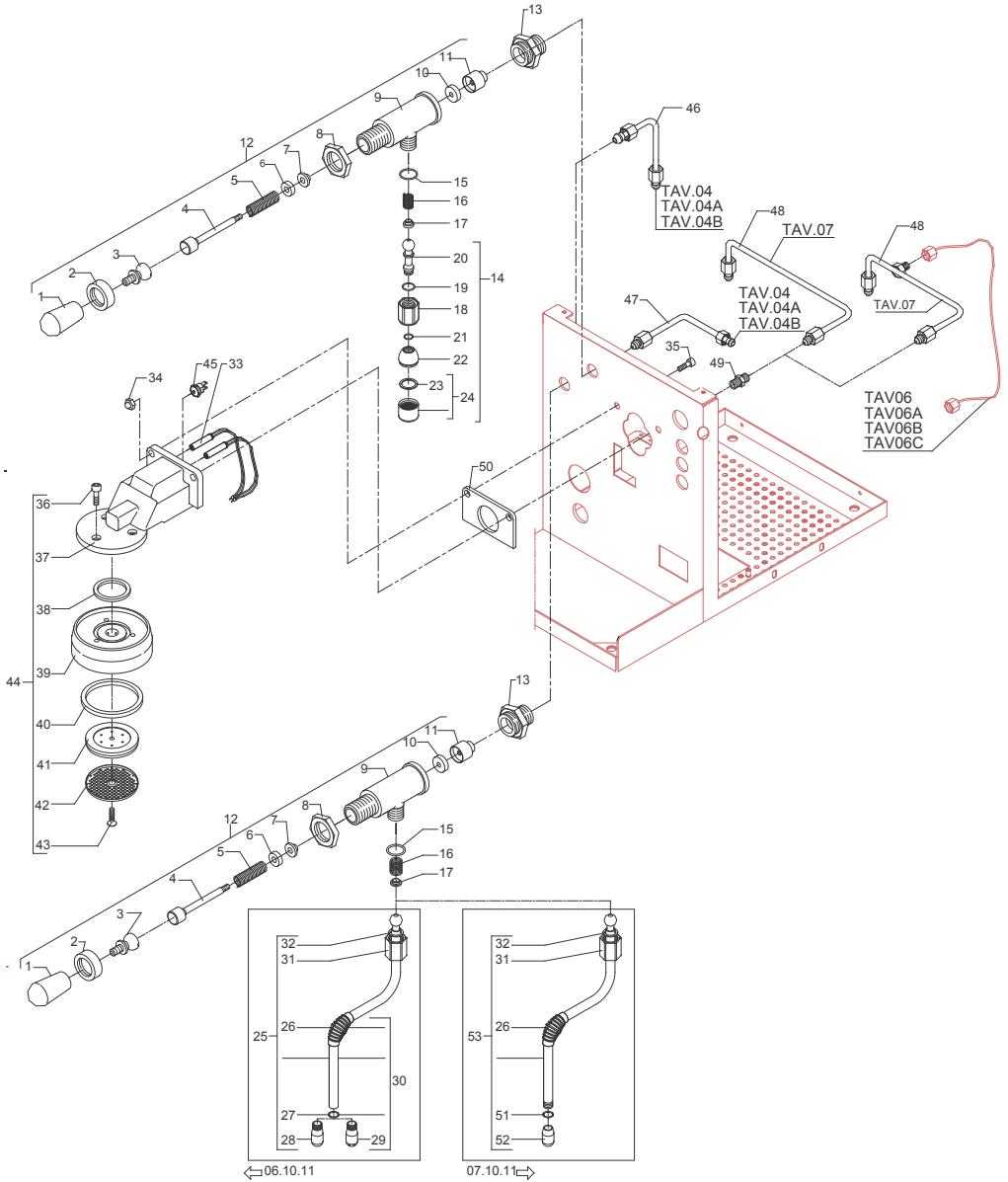
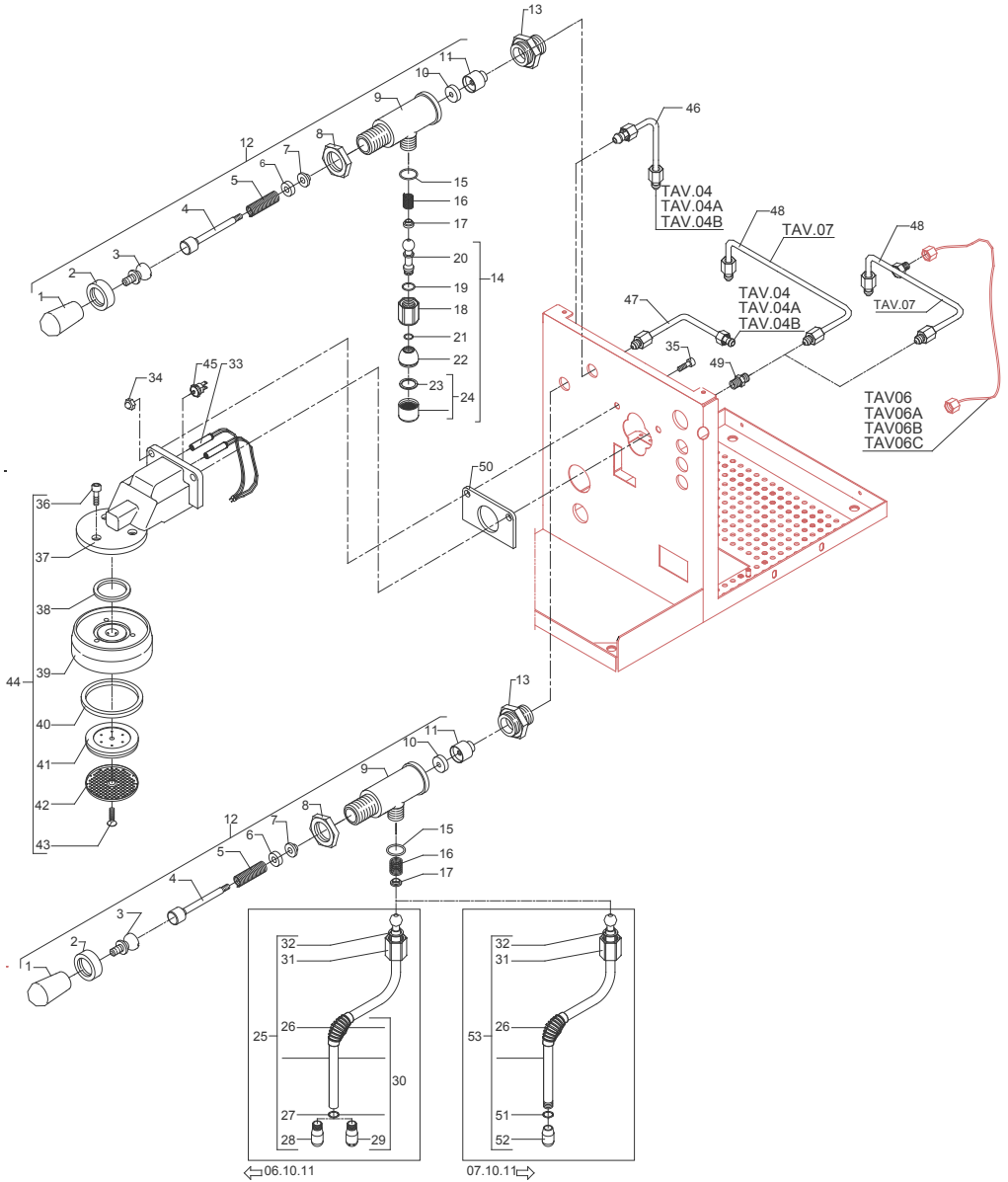




TABLE 3 (up to 30.11.08)



**TABLE 3 (up to 28.01.14)**

| <b>POS</b> | <b>CODE</b>  | <b>DESCRIPTION</b>                        |
|------------|--------------|---|
| 1          | 7371511.01   | LEVER KNOB                                |
| 2          | 5222823CM    | RING NUT 3/8" G H17                       |
| 3          | 5225608      | ARTICULATION M8 INOX                      |
| 4          | 5260203DL    | SHAFT D12X47                              |
| 5          | 5471513      | SPRING                                    |
| 6          | 5261801      | WASHER D11                                |
| 7          | 5494004      | GASKET D12 X 6 PTFE GRAPHITIZED           |
| 8          | 5221826CM    | NUT 3/8" G ES.22X5                        |
| 9          | 5283047TW    | TAP BODY OT                               |
| 10         | 5496042      | GASKET D11X4X4 EPT 70 (C6)                |
| 11         | 5224603TP    | GASKET-HOLDER                             |
| 12         | 5964084AL    | ASSEMBLY TAP                              |
| 13         | 5225410TP    | FITTING M14XM13 H26                       |
| 14         | 5966548AL    | ASSEMBLY WATER HOSE                       |
| 15         | 7496072      | OR GASKET 121                             |
| 16         | 5471532      | SPRING                                    |
| 17         | 5190501      | COMPLETE CUP                              |
| 18         | 5221872TW    | NUT 3/8" G                                |
| 19         | 7496073      | OR GASKET 115 EP856                       |
| 20         | 5225607TW    | WATER HOSE CHROMED                        |
| 21         | 7496003      | OR GASKET 108 VITON                       |
| 22         | 5226610TW    | WATER HOSE TERMINAL D23.5X18 OT CHROMED   |
| 23         | 5493003      | GASKET D20.5X15 H1.5 NBR 70SH             |
| 24         | 5226601TW    | WATER HOSE TERMINAL M22 CHROMED           |
| 25         | 7479958      | ASSEMBLY STEAM HOSE TERMINAL 4 HOLES      |
| 26         | 7371003      | INSULATING                                |
| 27         | 7496083      | OR GASKET D4.5X1.5 NBR 70                 |
| 28         | 7305010      | TERMINAL 4 HOLES                          |
| 29         | 7305013      | TERMINAL 2 HOLES                          |
| 30         | 7479975      | ASSEMBLY STEAM HOSE TERMINAL 2 HOLES      |
| 31         | 5221872TW    | NUT 3/8" G                                |
| 32         | 7496073      | OR GASKET 115 EP856                       |
| 33         | 5963097.01   | ASSEMBLY HEATING ELEMENT 110V             |
| 33         | 5963098.01   | ASSEMBLY HEATING ELEMENT 220/240V         |
| 34         | 5221863CM    | CAP NUT M8 CHROMED                        |
| 35         | 7816014      | SCREW M8X20 UNI5931 A2                    |
| 36         | 7816001      | SCREW TCEI M5X12 UNI5931 A2               |
| 37         | 5283046TW    | DELIVERY GROUP BODY                       |
| 38         | 7496004      | OR GASKET 139                             |
| 39         | 5280502TW    | COUPLING RING OT CHROMED                  |
| 40         | 7493016      | GASKET H 9,3 NBR 75SH                     |
| 41         | 5285501TP    | SHOWER-HOLDER D57                         |
| 42         | 5470501      | SHOWER D57 AISI 304                       |
| 43         | 7817001      | SCREW TPS M5X16 A2                        |
| 44         | 5963548.01AL | ASSEMBLY DELIVERY GROUP                   |
| 45         | 7634808      | THERMIC SAFETY DEVICE 250V 95°C AUTOMATIC |

TABLE 3 (up to 28.01.14)

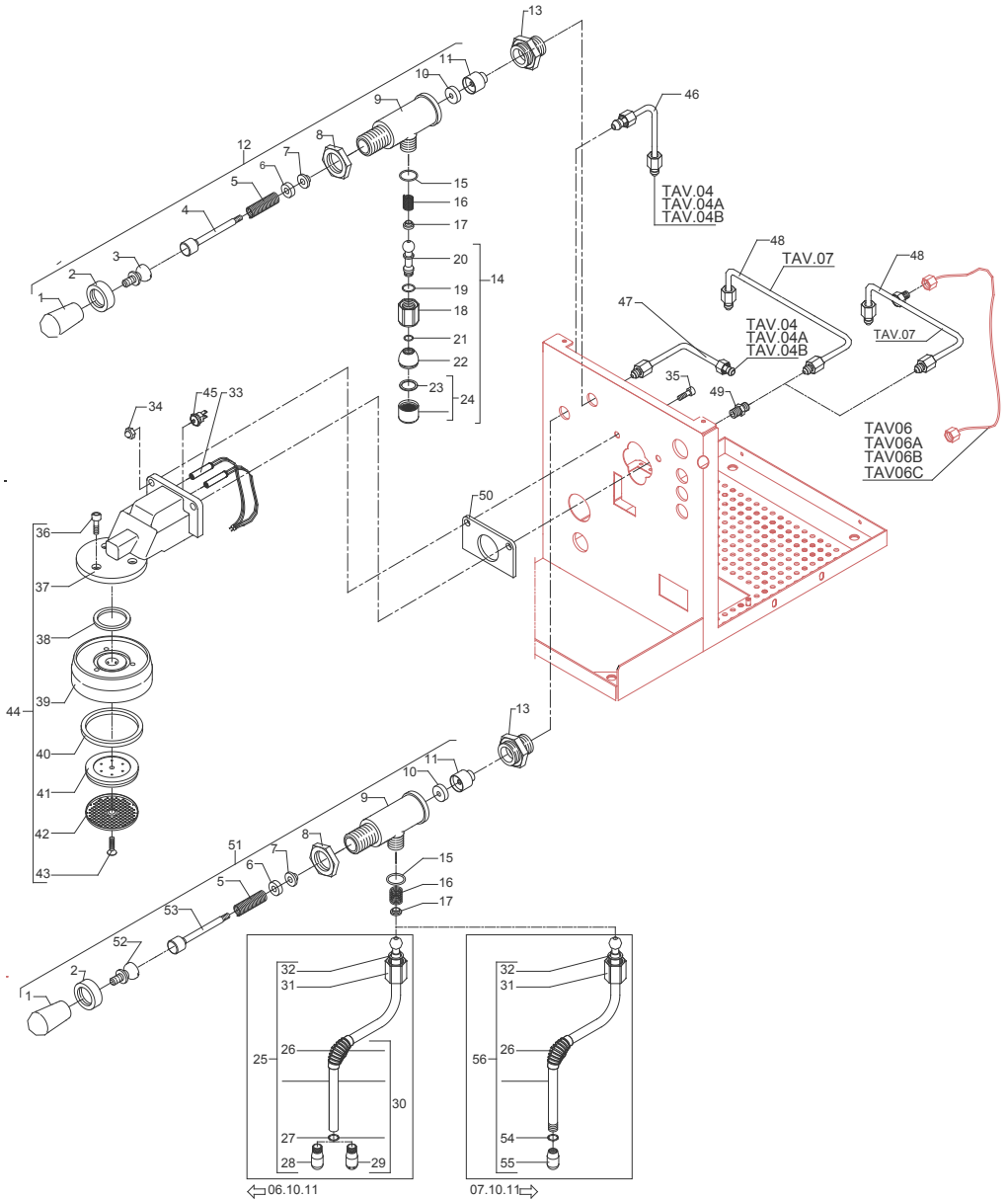
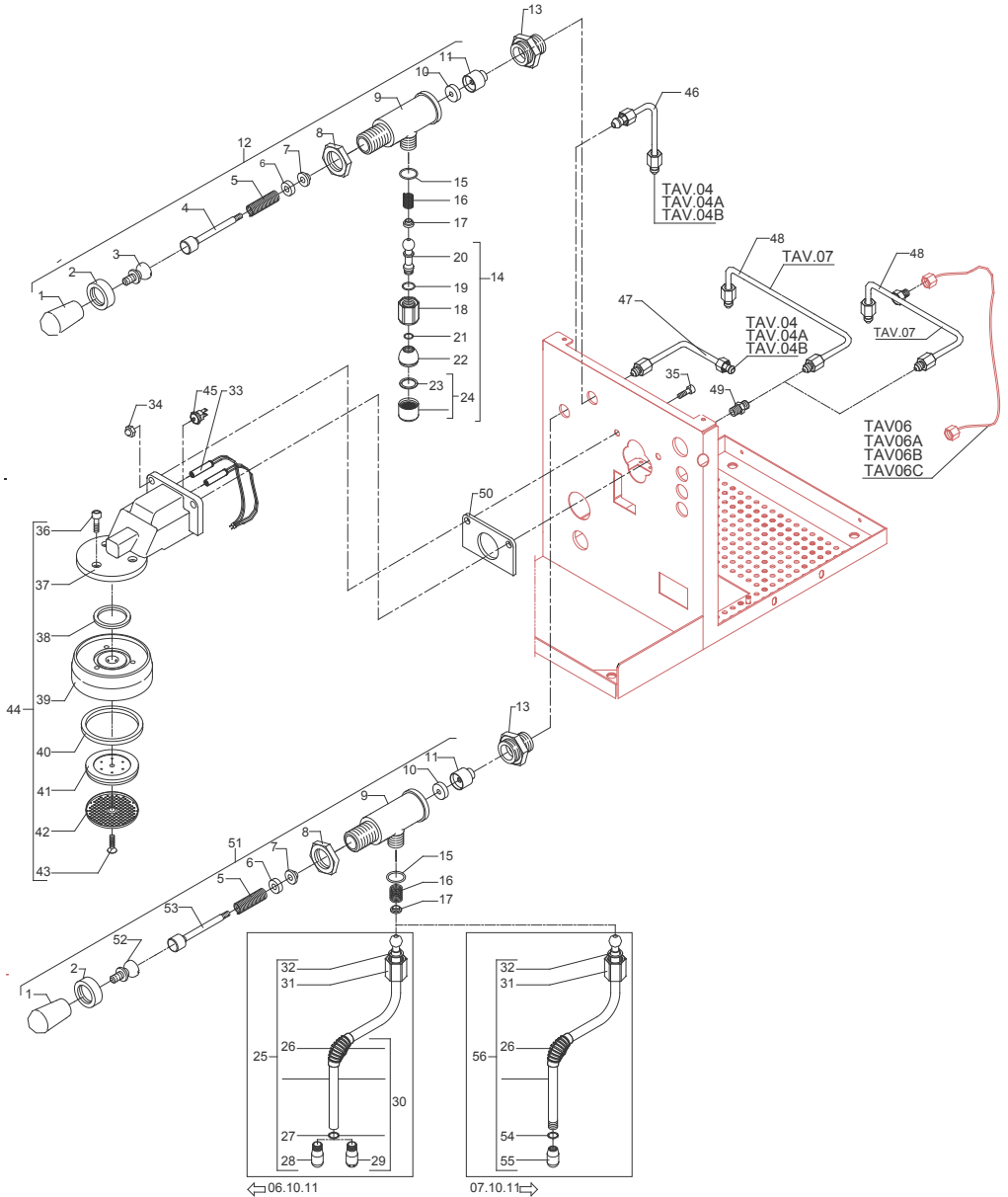






TABLE 3 (up to 28.01.14)



|                                | <b>POS</b> | <b>CODE</b>  | <b>DESCRIPTION</b>                        |
|--------------------------------|------------|--------------|---|
| <b>TABLE 3 (from 29.01.14)</b> | 1          | 7371511.01   | LEVER KNOB                                |
|                                | 2          | 5222823CM    | RING NUT 3/8" G H17                       |
|                                | 3          | 5225608      | ARTICULATION M8 INOX                      |
|                                | 4          | 5260203DL    | SHAFT D12X47                              |
|                                | 5          | 5471513      | SPRING                                    |
|                                | 6          | 5261801      | WASHER D11                                |
|                                | 7          | 5494004      | GASKET D12 X 6 PTFE GRAPHITIZED           |
|                                | 8          | 5221826CM    | NUT 3/8" G ES.22X5                        |
|                                | 9          | 5283055TW    | TAP BODY OT FOR OR                        |
|                                | 10         | 5496042      | GASKET D11X4X4 EPT 70 (C6)                |
|                                | 11         | 5224603TP    | GASKET-HOLDER                             |
|                                | 12         | 5964084.01AL | ASSEMBLY TAP WITH OR                      |
|                                | 14         | 5966548AL    | ASSEMBLY WATER HOSE                       |
|                                | 15         | 7496072      | OR GASKET 121                             |
|                                | 16         | 5471532      | SPRING                                    |
|                                | 17         | 5190501      | COMPLETE CUP                              |
|                                | 18         | 5221872TW    | NUT 3/8" G                                |
|                                | 19         | 7496073      | OR GASKET 115 EP856                       |
|                                | 20         | 5225607TW    | WATER HOSE CHROMED                        |
|                                | 21         | 7496003      | OR GASKET 108 VITON                       |
|                                | 22         | 5226610TW    | WATER HOSE TERMINAL D23.5X18 OT CHROMED   |
|                                | 23         | 5493003      | GASKET D20.5X15 H1.5 NBR 70SH             |
|                                | 24         | 5226601TW    | WATER HOSE TERMINAL M22 CHROMED           |
|                                | 26         | 7371003      | INSULATING                                |
|                                | 33         | 5963097.01   | ASSEMBLY HEATING ELEMENT 110V             |
|                                | 33         | 5963098.01   | ASSEMBLY HEATING ELEMENT 220/240V         |
|                                | 34         | 5221863CM    | CAP NUT M8 CHROMED                        |
|                                | 35         | 7816014      | SCREW M8X20 UNI5931 A2                    |
|                                | 36         | 7816001      | SCREW TCEI M5X12 UNI5931 A2               |
|                                | 37         | 5283046TW    | DELIVERY GROUP BODY                       |
|                                | 38         | 7496004      | OR GASKET 139                             |
|                                | 39         | 5280502TW    | COUPLING RING OT CHROMED                  |
|                                | 40         | 7493016      | GASKET H 9,3 NBR 75SH                     |
|                                | 41         | 5285501TP    | SHOWER-HOLDER D57                         |
|                                | 42         | 5470501      | SHOWER D57 AISI 304                       |
|                                | 43         | 7817001      | SCREW TPS M5X16 A2                        |
|                                | 44         | 5963548.01AL | ASSEMBLY DELIVERY GROUP                   |
|                                | 45         | 7634808      | THERMIC SAFETY DEVICE 250V 95°C AUTOMATIC |
|                                | 46         | 5162301LL    | STEAM TAP HOSE                            |
|                                | 47         | 5162302LL    | WATER TAP HOSE                            |
|                                | 48         | 5162305LL    | GROUP-SOLENOID VALVE HOSE                 |
|                                | 49         | 7304502TR    | STRAIGHT FITTING 1/8" G                   |
|                                | 50         | 7493013      | INSULATING                                |
|                                | 51         | 5964085.01AL | ASSEMBLY TAP WITH OR                      |
|                                | 52         | 5225610      | ARTICULATION M8 INOX                      |
|                                | 53         | 5260204DL    | SHAFT D12X47                              |

TABLE 3 (from 29.01.14)

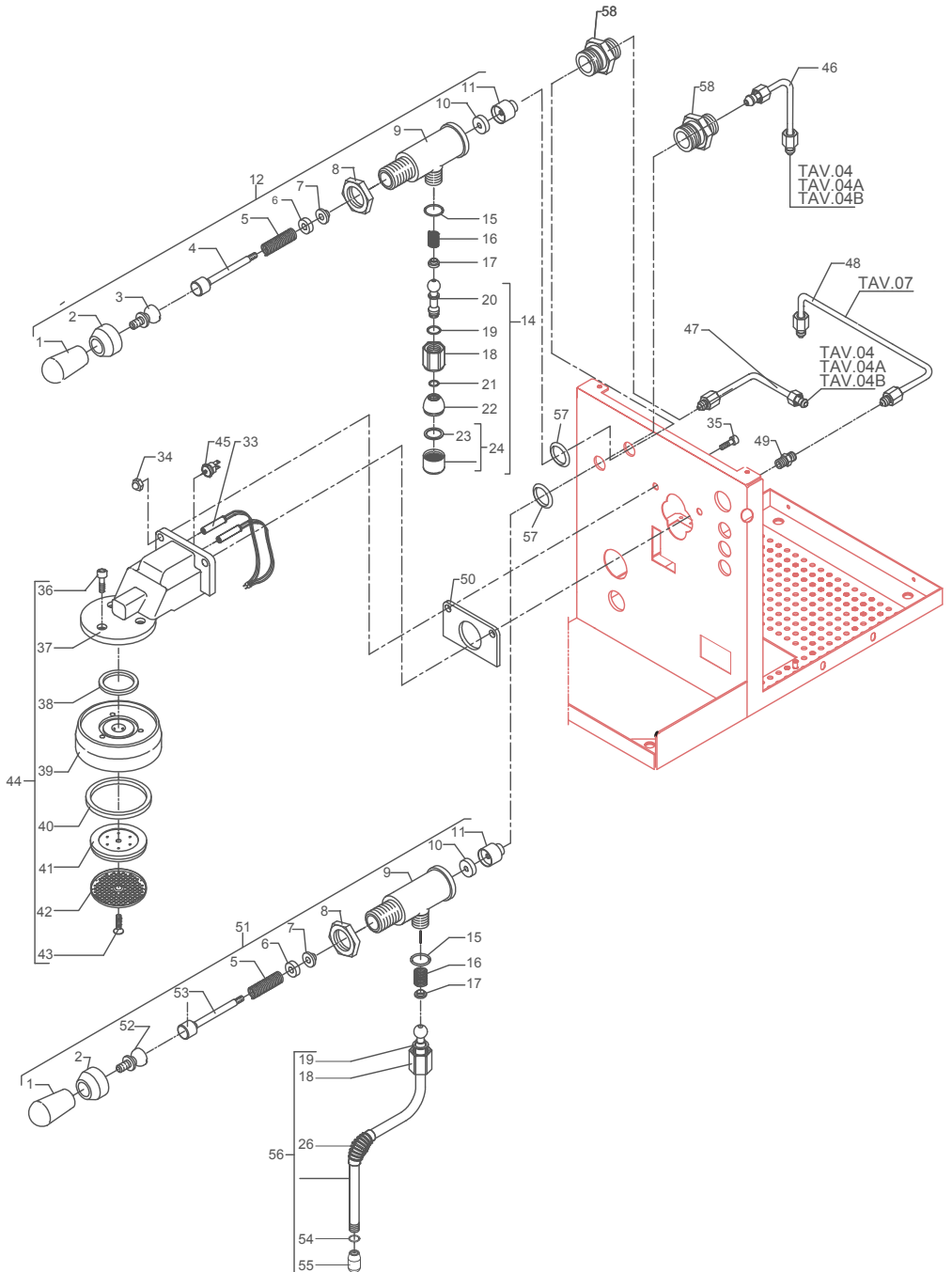




TABLE 3 (from 29.01.14)

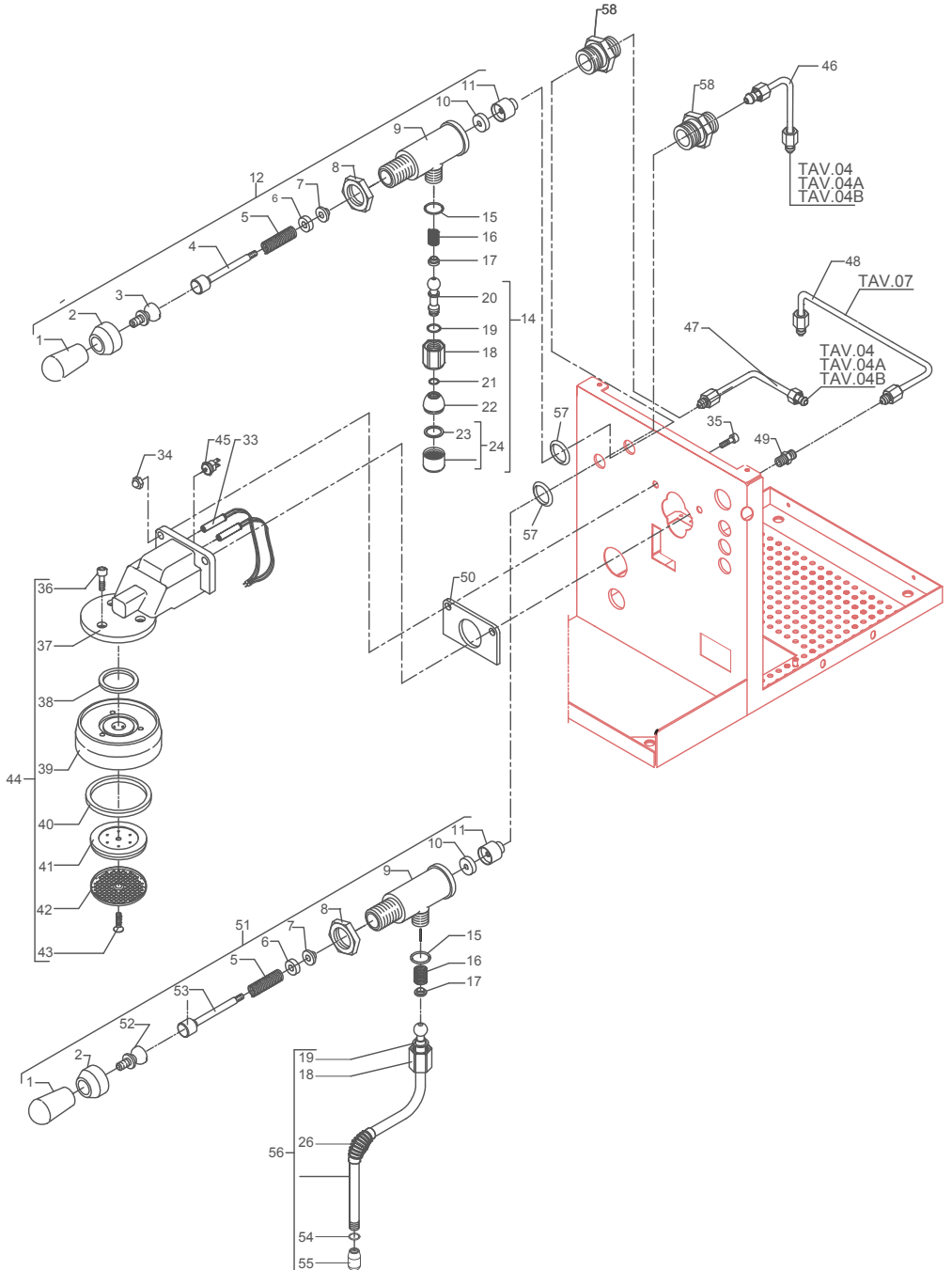
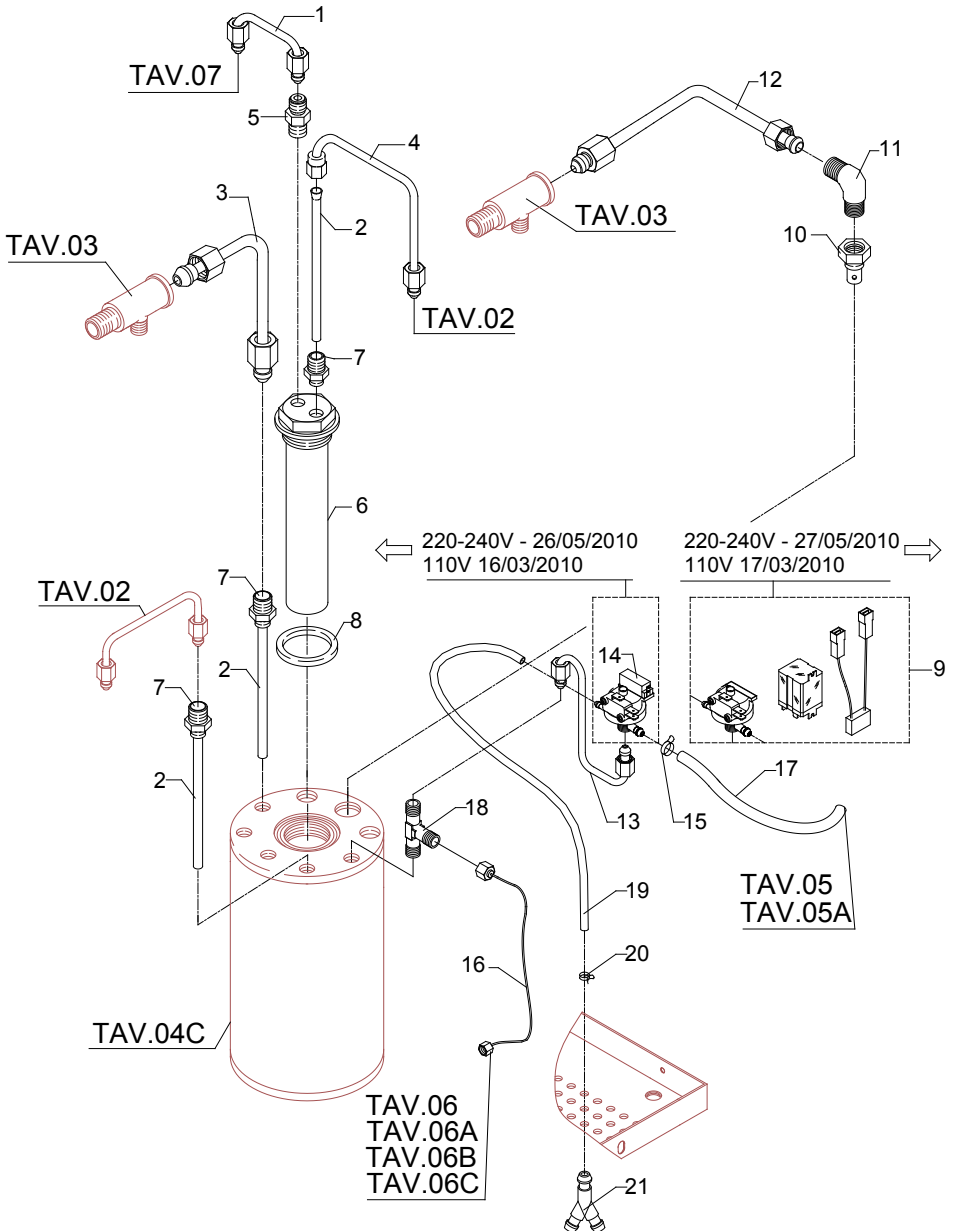




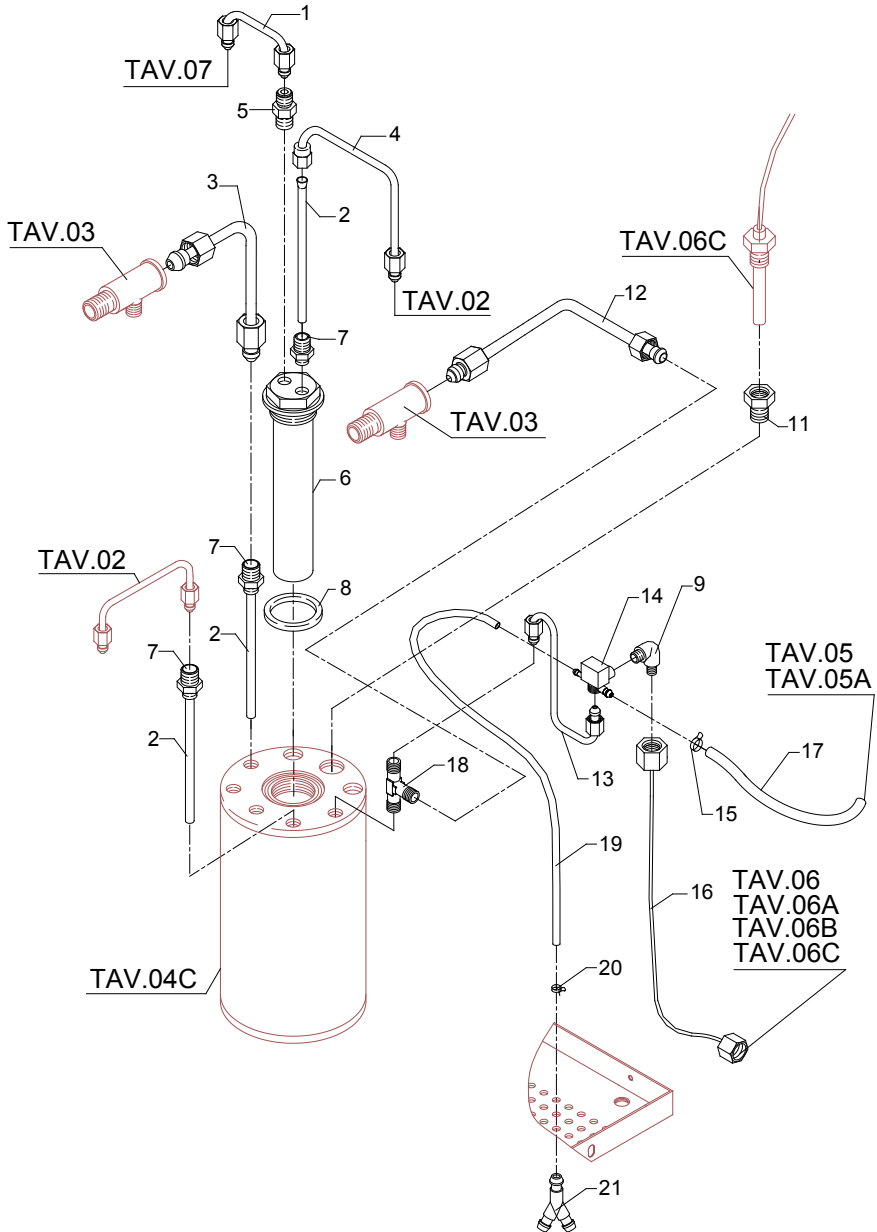
TABLE 4







**TABLE 4A**  
**Mod. DE PID**





**TABLE 4B**  
**Mod. PM PID**

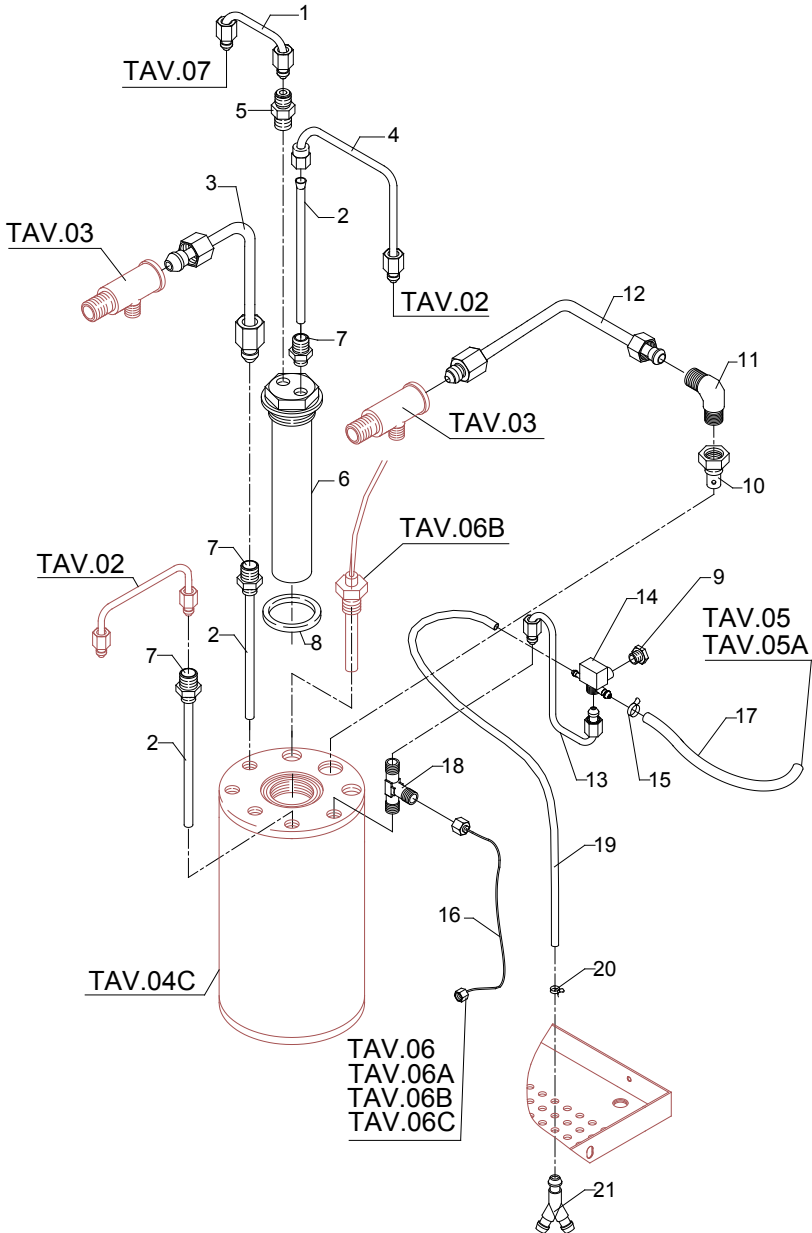




TABLE 4C (up to 30.04.10)

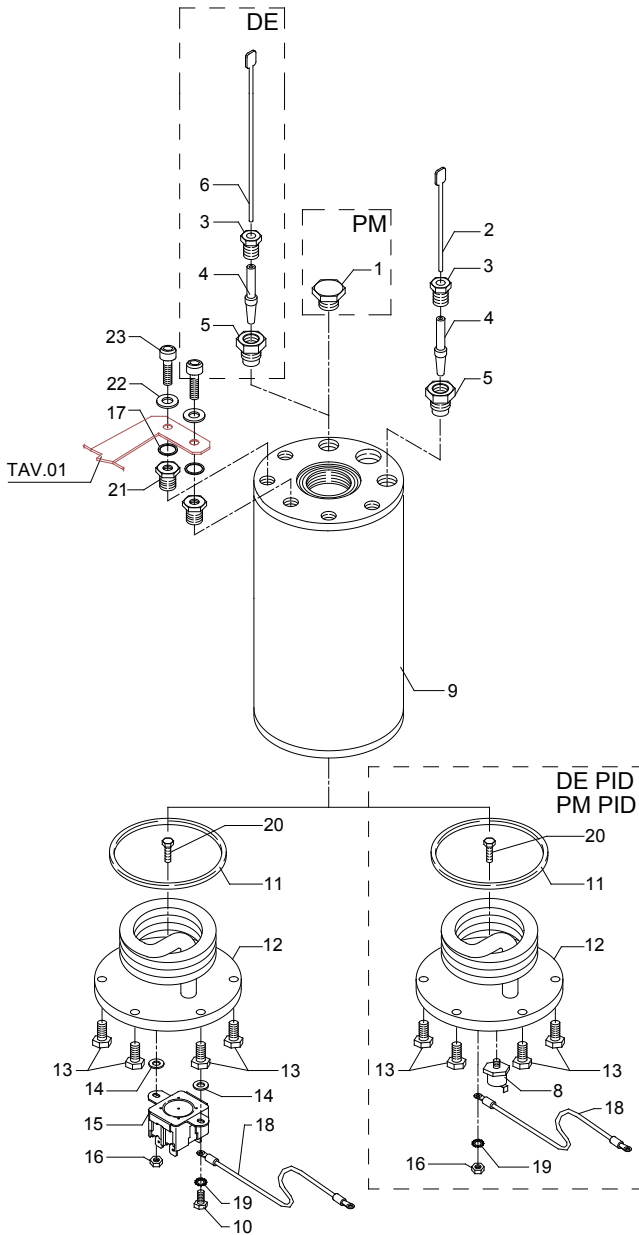
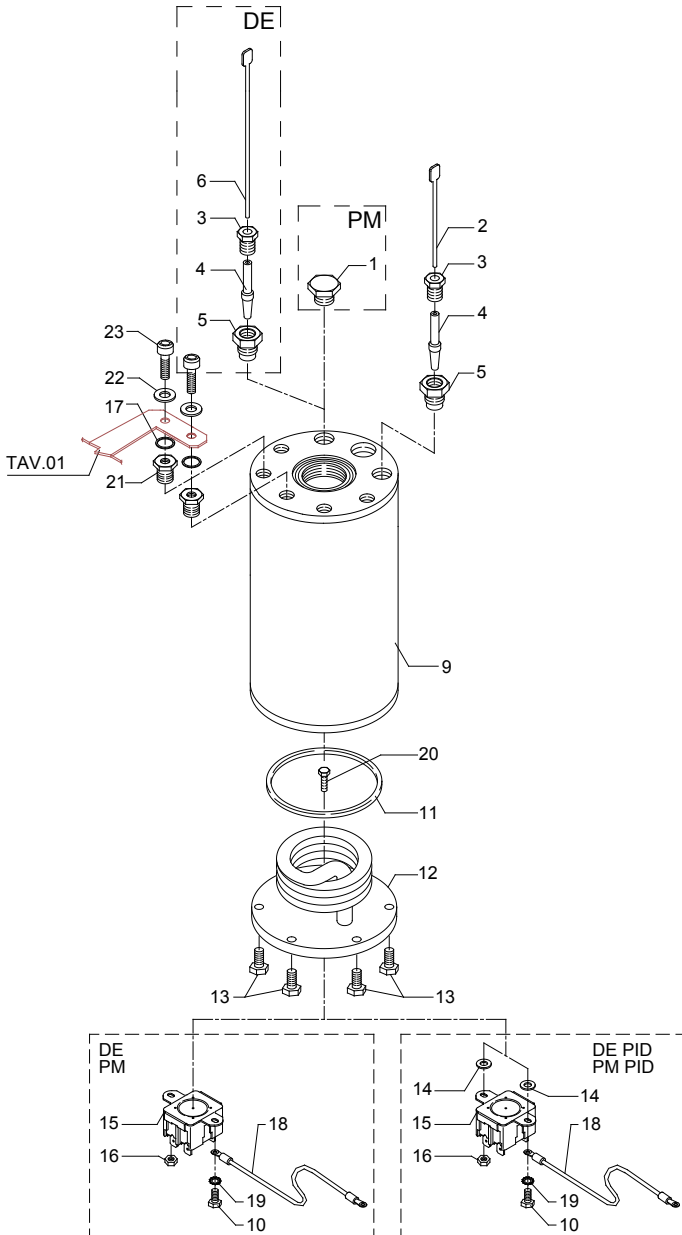




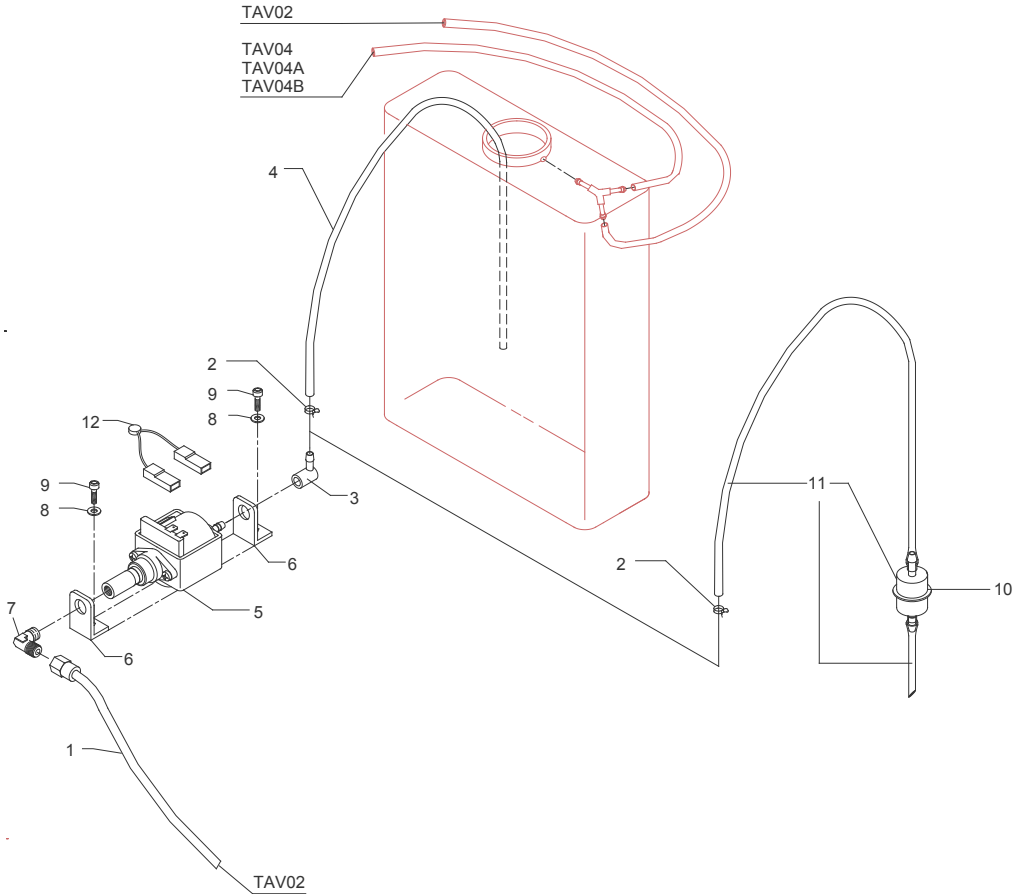
TABLE 4C (from 01.05.10)







**TABLE 5**  
**Mod. PM**

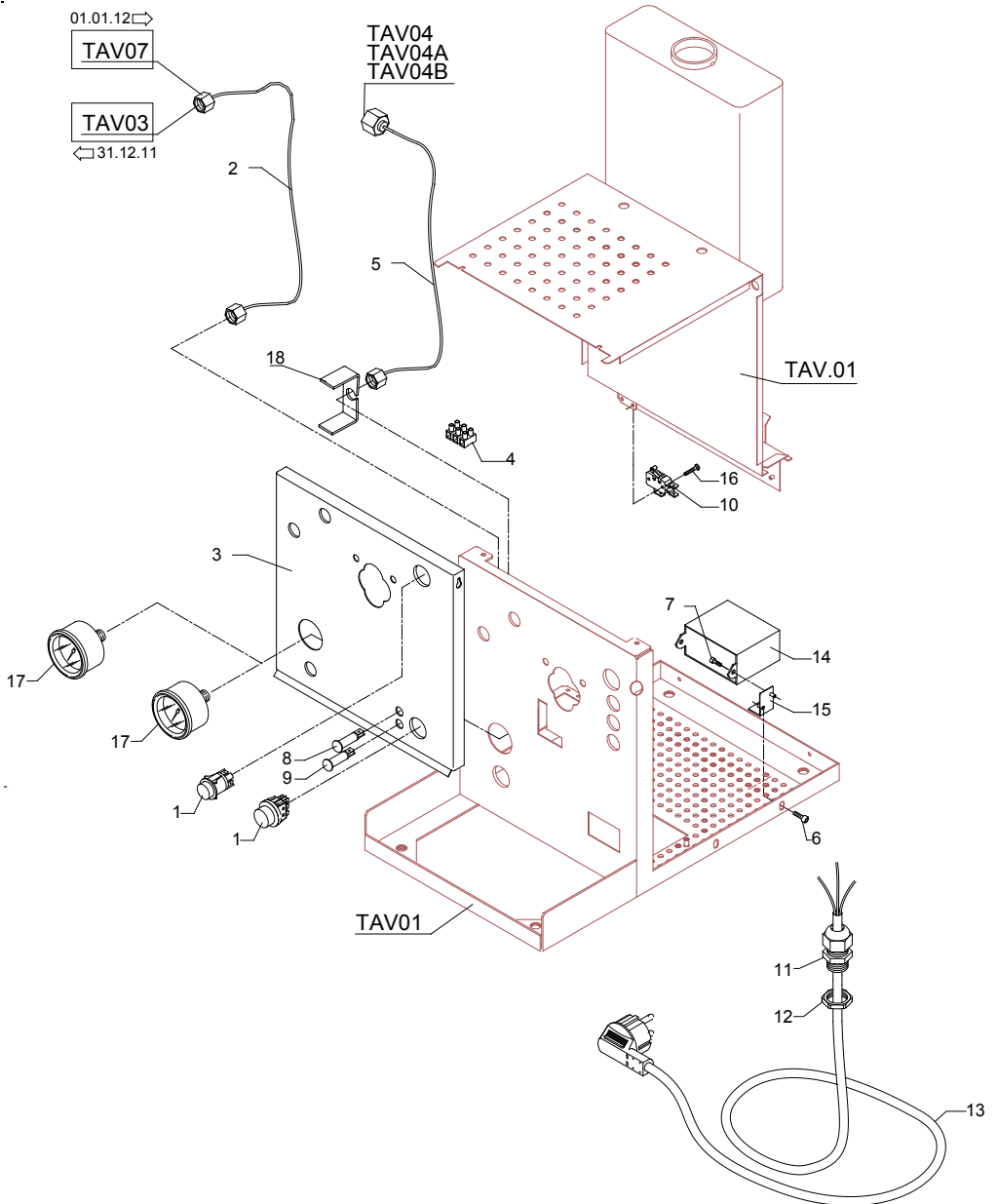






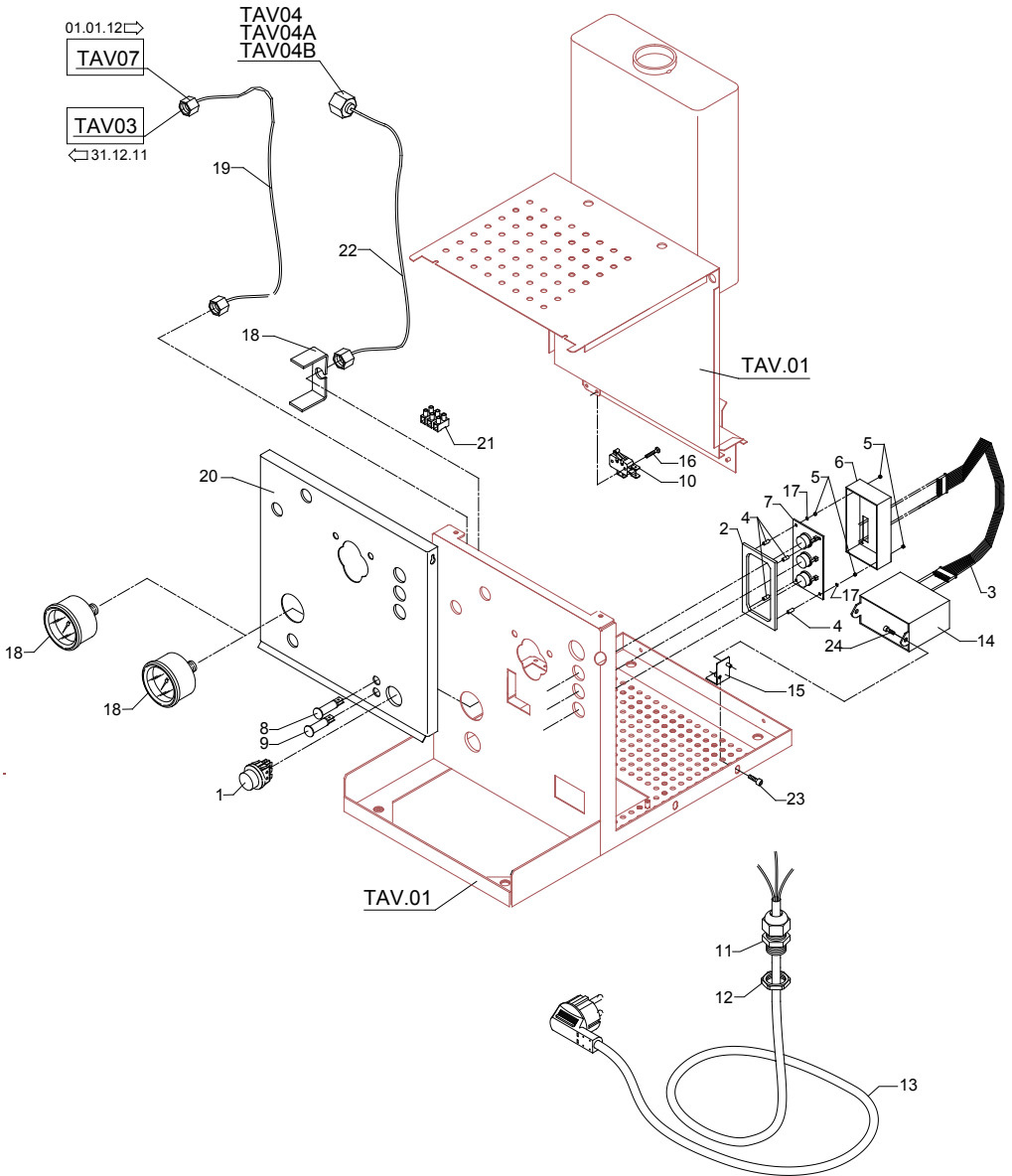


**TABLE 6**  
**Mod. PM**





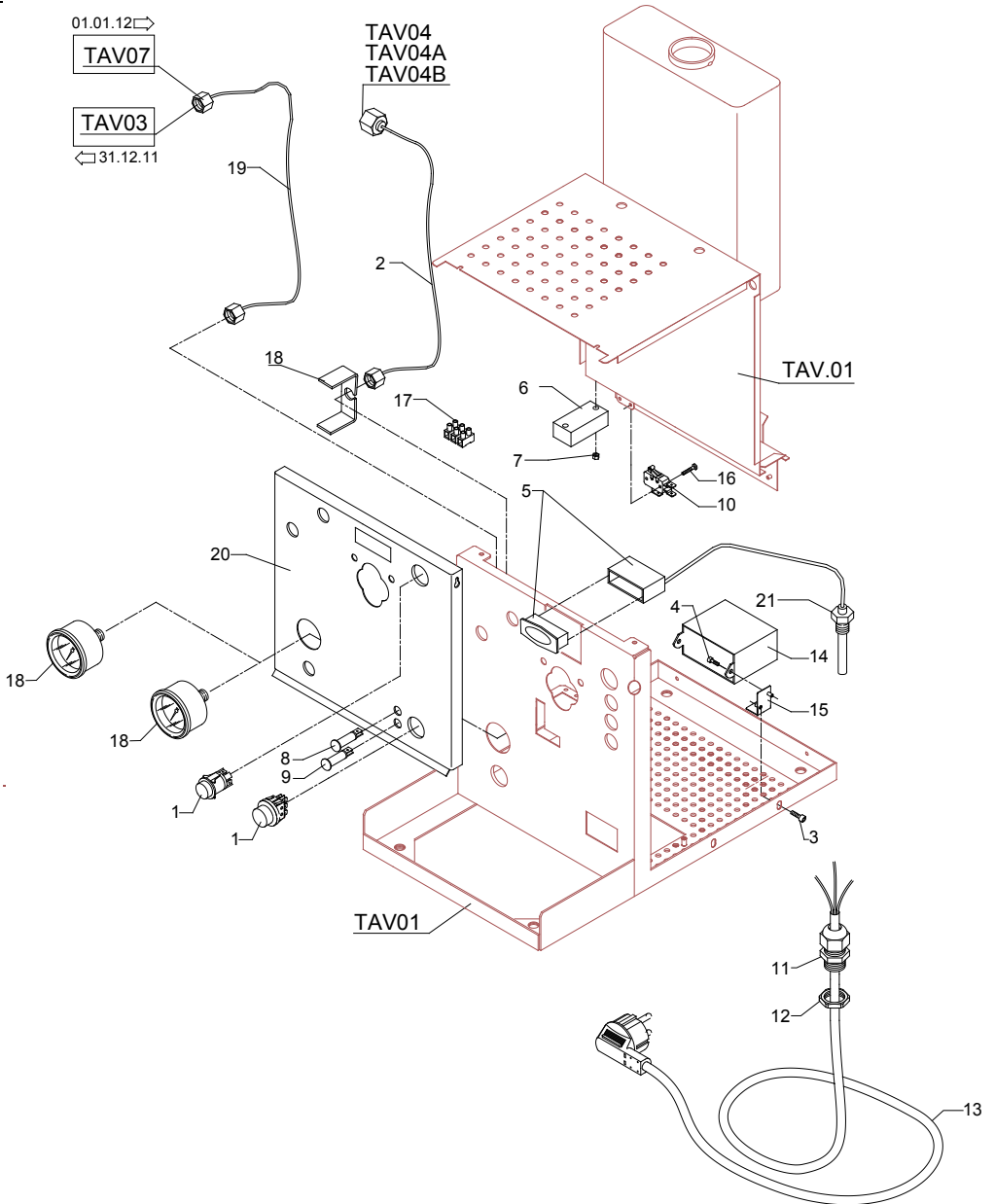
**TABLE 6A**  
**Mod. DE**







**TABLE 6B**  
**Mod. PM PID**



|                            | <b>POS</b> | <b>CODE</b>                                  | <b>DESCRIPTION</b>              |
|----------------------------|------------|--|---------------------------------|
| <b>TABLE 6C Mod. DEPID</b> | 1          | 7633331                                      | BIPOLAR SWITCH                  |
|                            | 2          | 7493014                                      | GASKET                          |
|                            | 3          | 7636604                                      | STRIP-LINE 8 POLES              |
|                            | 4          | 5191506                                      | SPACER D6X8.8                   |
|                            | 5          | 7822602                                      | NUT M3                          |
|                            | 6          | 7370505                                      | COVER                           |
|                            | 7          | 7665013                                      | PUSH-BUTTON PANEL               |
|                            | 8          | 7633602.01                                   | GREEN LAMP 110/240V             |
|                            | 9          | 7633604.01                                   | ORANGE LAMP 110/240V            |
|                            | 10         | 7633907                                      | MICROSWITCH                     |
|                            | 11         | 7614007                                      | CABLE-PRESS PG13,5              |
|                            | 12         | 7614006                                      | NUT PG13,5                      |
|                            | 13         | 7555001                                      | CABLE WITH SCHUKO PLUG          |
|                            | 13         | 7551001                                      | CABLE WITH USA PLUG 125V 15A    |
|                            | 13         | 7551003                                      | CABLE WITH USA PLUG 250V 20A    |
|                            | 13         | 7552001                                      | CABLE WITH AUSTRALIAN PLUG      |
|                            | 13         | 7554001                                      | CABLE WITH ENGLISH PLUG         |
|                            | 13         | 7555003                                      | CABLE WITH SWITZERLAND PLUG     |
|                            | 14         | 7662651.01                                   | DOSAGE 3S 220/230V              |
|                            | 14         | 7662652.01                                   | DOSAGE 3S 240V                  |
|                            | 14         | 7662650.01                                   | DOSAGE 3S 110V                  |
|                            | 15         | 5058433LW                                    | LEVEL REGULATOR SUPPORT         |
|                            | 16         | 7819911                                      | SCREW TTEI M4X25                |
|                            | 17         | 7666002                                      | PROBE T.PID                     |
|                            | 18         | 7432522                                      | PRESSURE GAUGE D40 3BAR         |
|                            | 18         | 7432524                                      | PRESSURE GAUGE D60 DOUBLE SCALE |
|                            | 19         | 7400901                                      | PRESSURE GAUGE CAPILLARY        |
|                            | 20         | 5074455SG                                    | GROUP FRONTAL DE T.PID          |
| 20                         | 5074457SG  | GROUP FRONTAL DE T.PID WHIT DUAL GAUGE SCALE |                                 |
| 21                         | 7612511    | CLAMP 3 CONTACTS                             |                                 |
| 22                         | 7400902    | BOYLER-MANOMETER CAPILLARY                   |                                 |
| 23                         | 7816009    | SCREW TCEI M4X10                             |                                 |
| 24                         | 7816005    | SCREW TCEI M4X20                             |                                 |
| 25                         | 7434016    | THERMOSTAT TERMOPID 110V                     |                                 |
| 25                         | 7434017    | THERMOSTAT TERMOPID 230/240V                 |                                 |
| 26                         | 7374004    | WASHER D4 NYLON                              |                                 |
| 27                         | 7635424.01 | RELAY  |                                 |
| 28                         | 7822602    | NUT M3                                       |                                 |
|                            |            |  |                                 |
|                            |            |  |                                 |
|                            |            |  |                                 |
|                            |            |  |                                 |
|                            |            |  |                                 |
|                            |            |  |                                 |
|                            |            |  |                                 |
|                            |            |  |                                 |
|                            |            |  |                                 |
|                            |            |  |                                 |

**TABLE 6C**  
**Mod. DE PID**

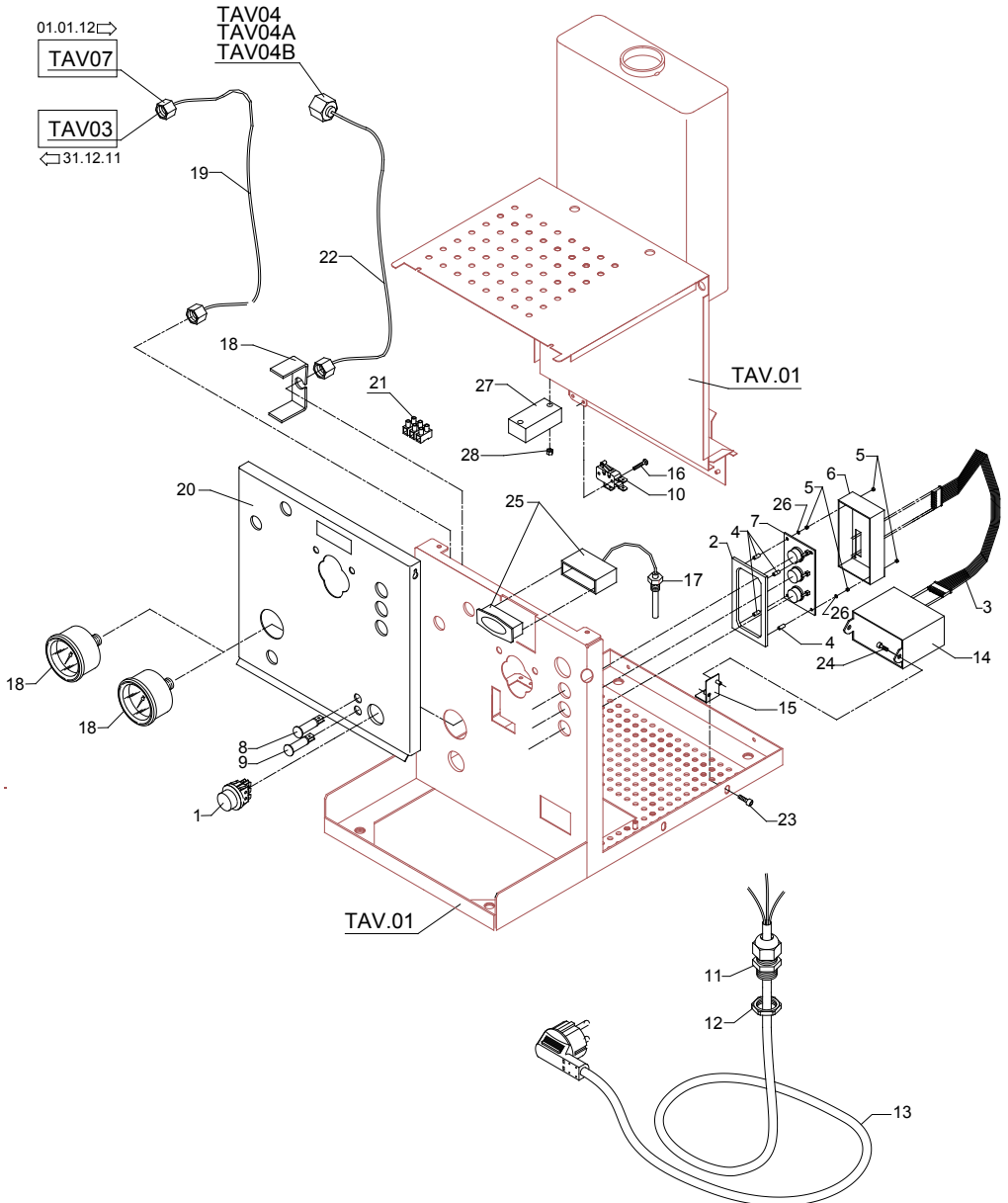




TABLE 7 (up to 27.04.09)

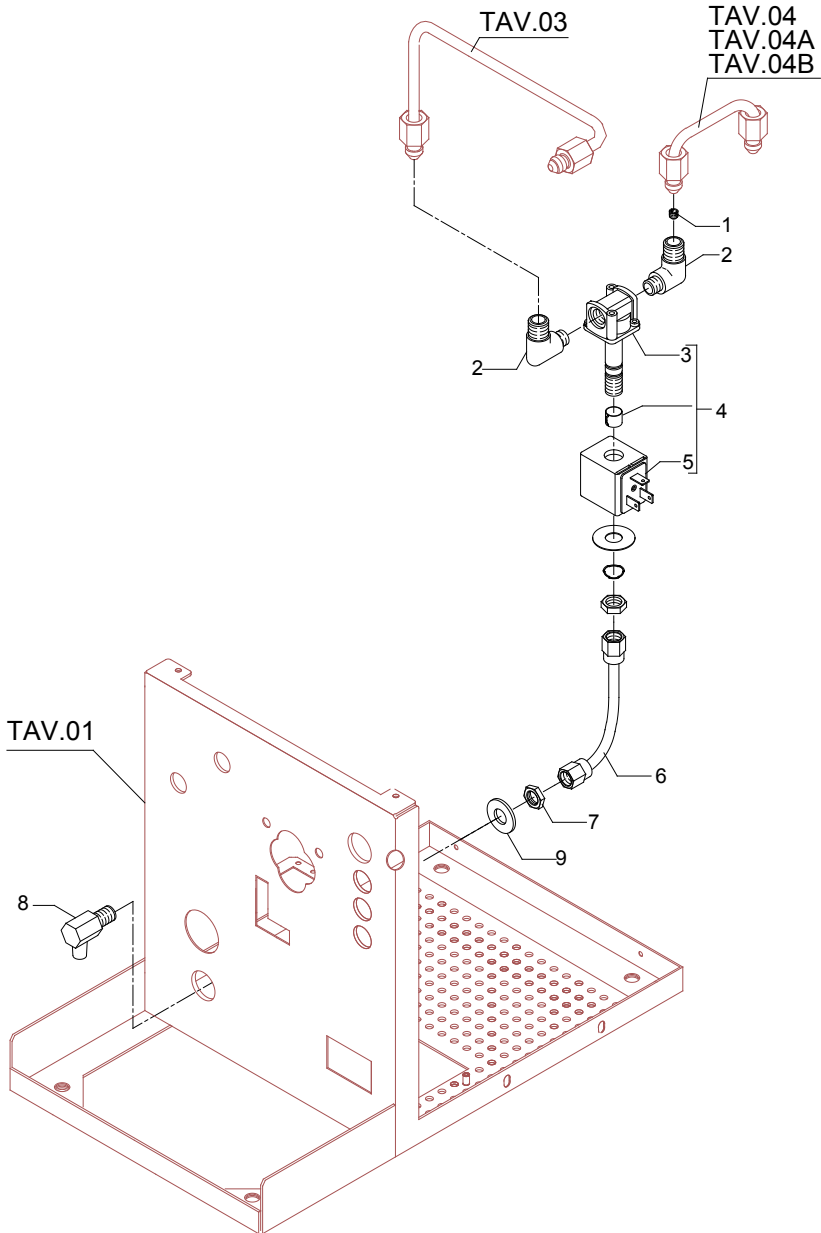




TABLE 7 (up to 31.12.11)

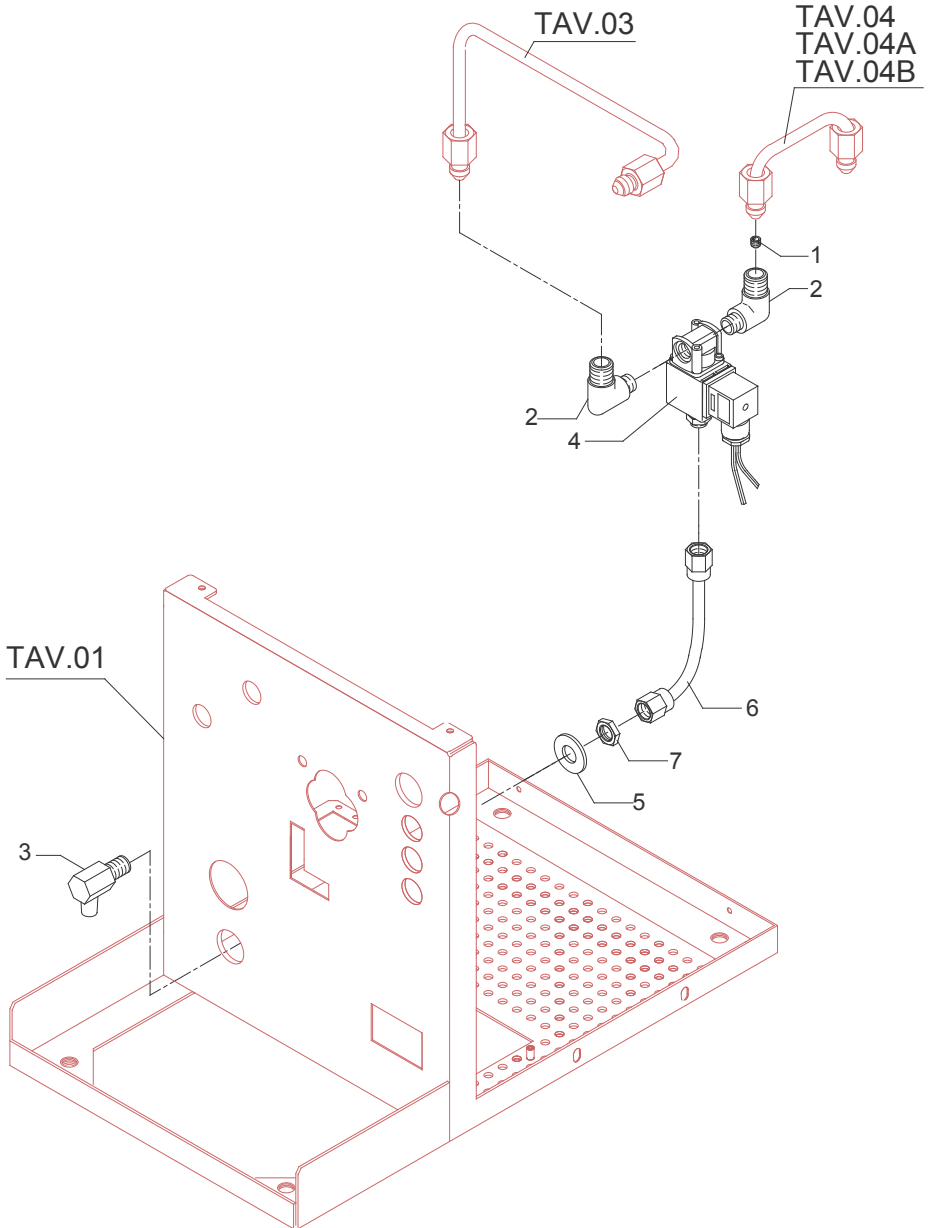






TABLE 7 (up to 01.04.13)

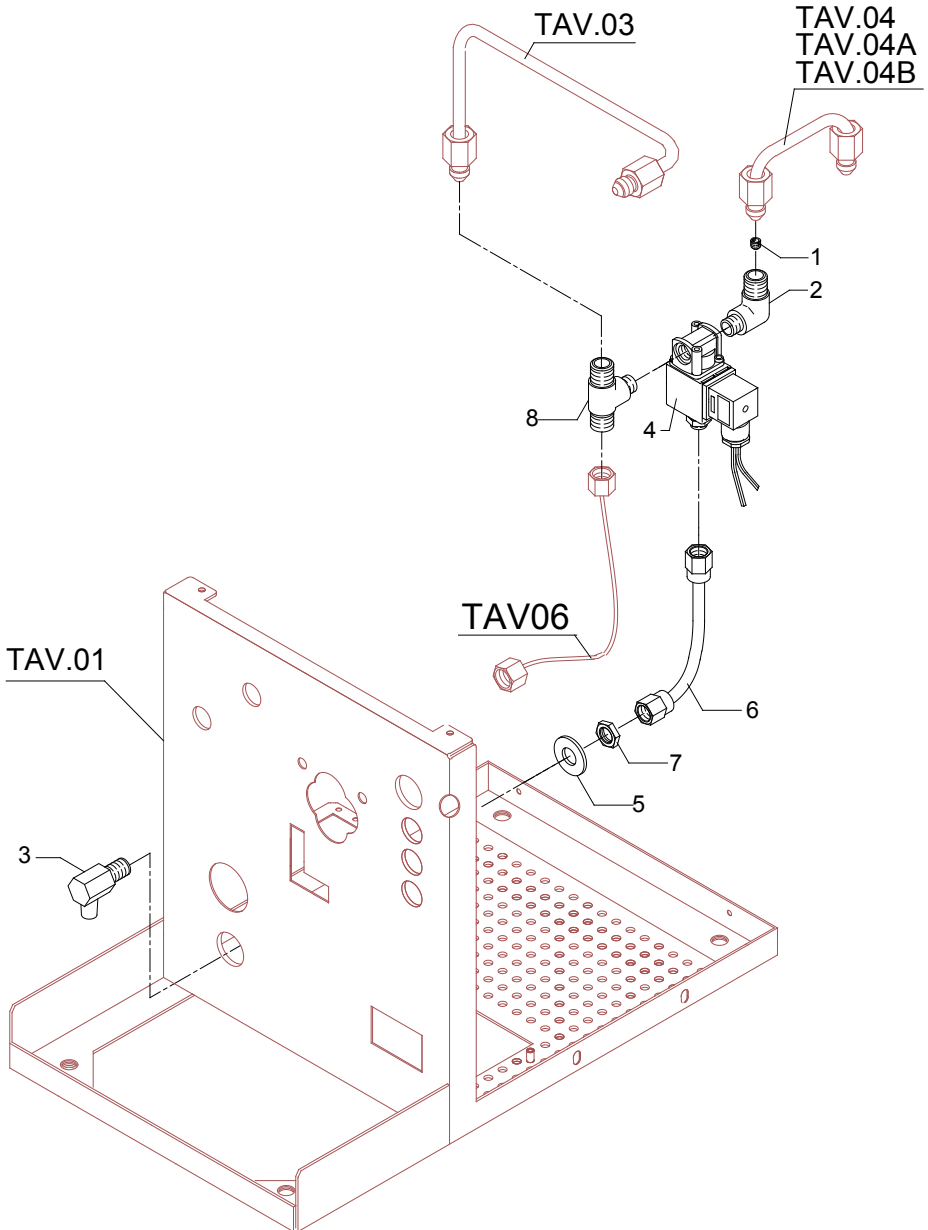




TABLE 7 (from 02.04.13)

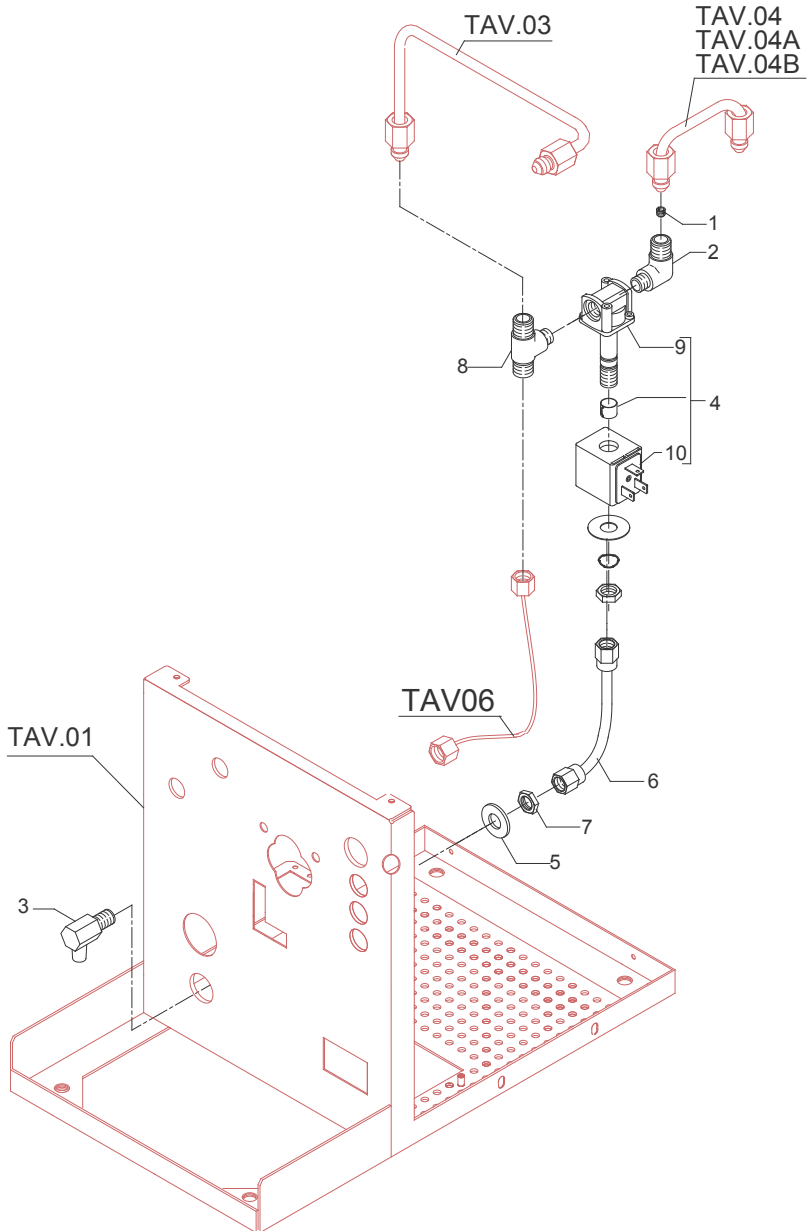




TABLE 8 (up to 28.02.10)

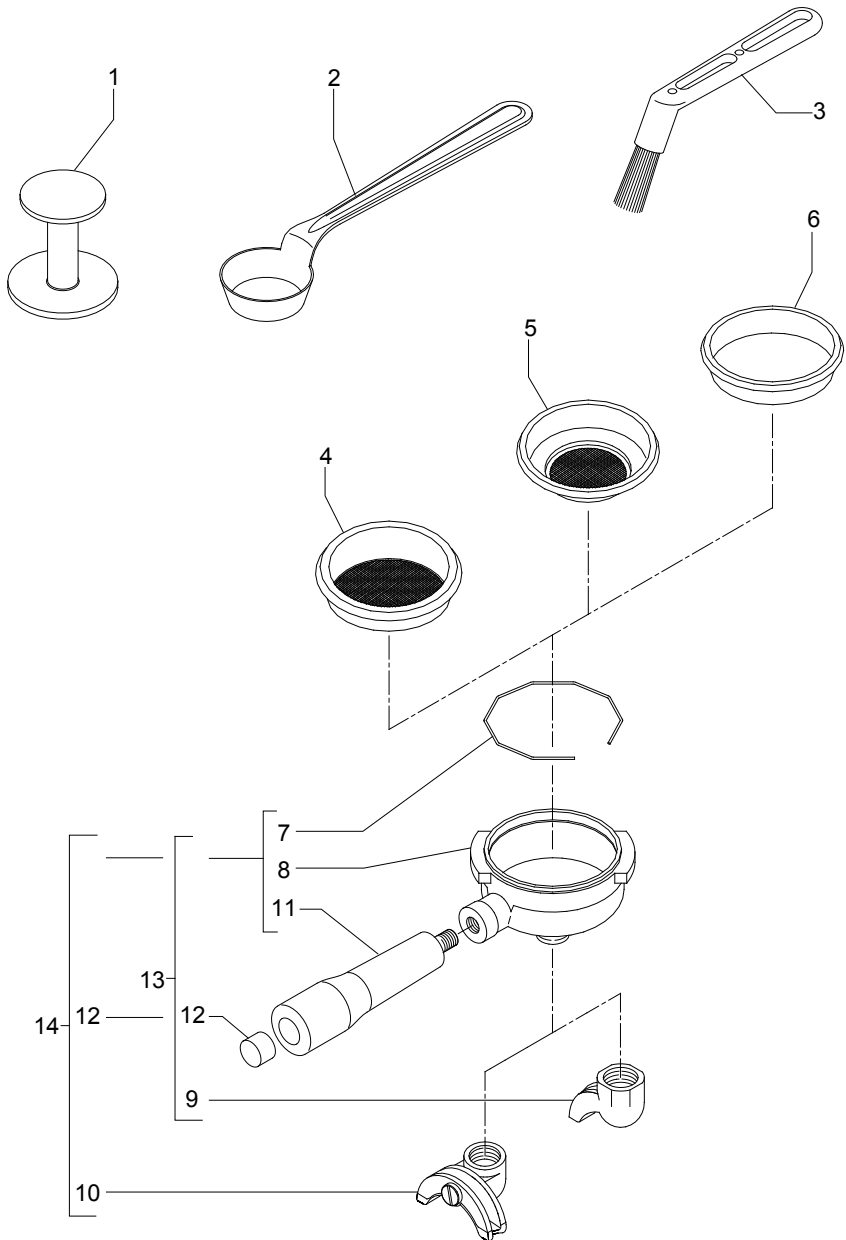
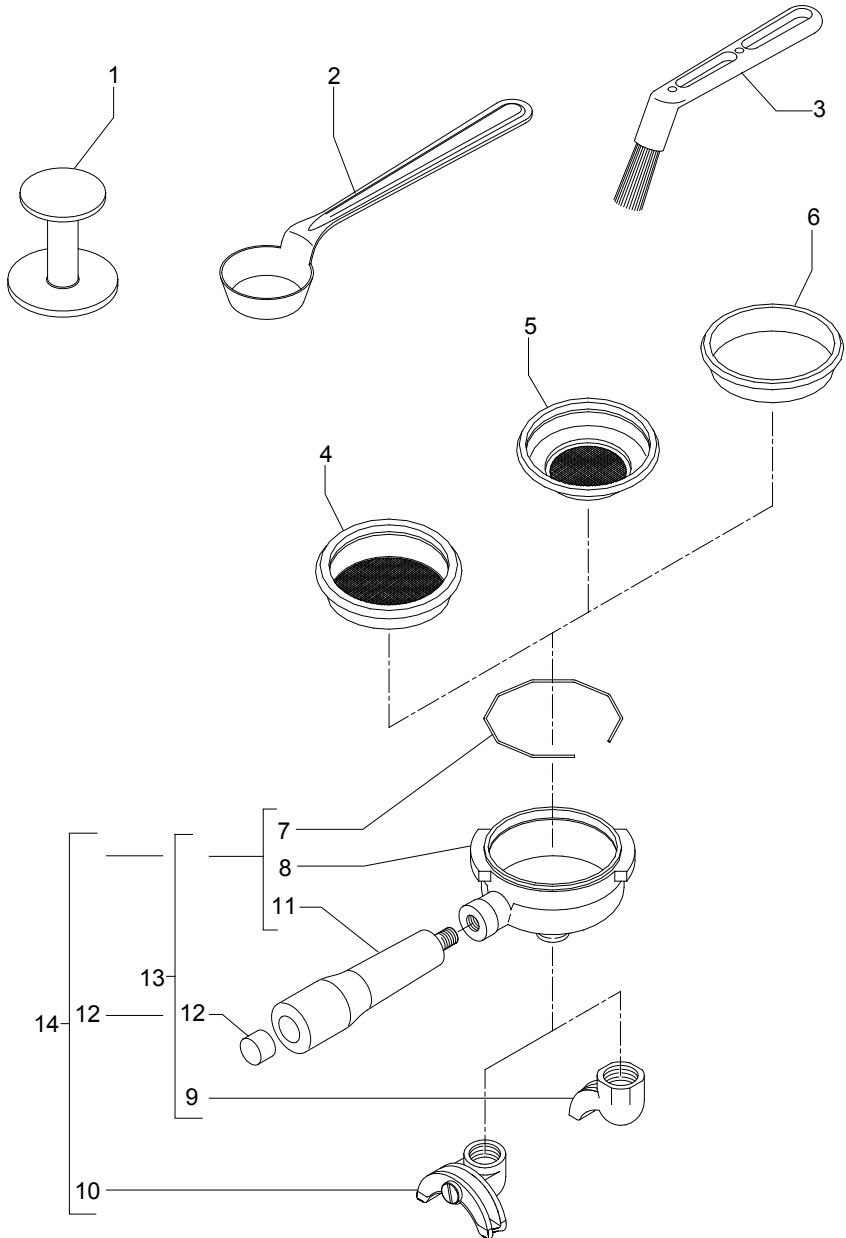




TABLE 8 (from 01.03.10)





**BEZZERA**

**Dal 1901**

G.BEZZERA

MACCHINE PER CAFFE' ESPRESSO

Via Luigi Bezzera,1

20088 Rosate - Milano - Italy

Tel. ++39 02 90848102 r.a. - Telefax ++39 02 90870287

Web: [www.g.bezzera.it](http://www.g.bezzera.it)

e-mail: [commerciale@bezzera.it](mailto:commerciale@bezzera.it)