

EXPLODED VIEW

OFFICE

CONTROL/PULSER 1GR



Your distributor

.....

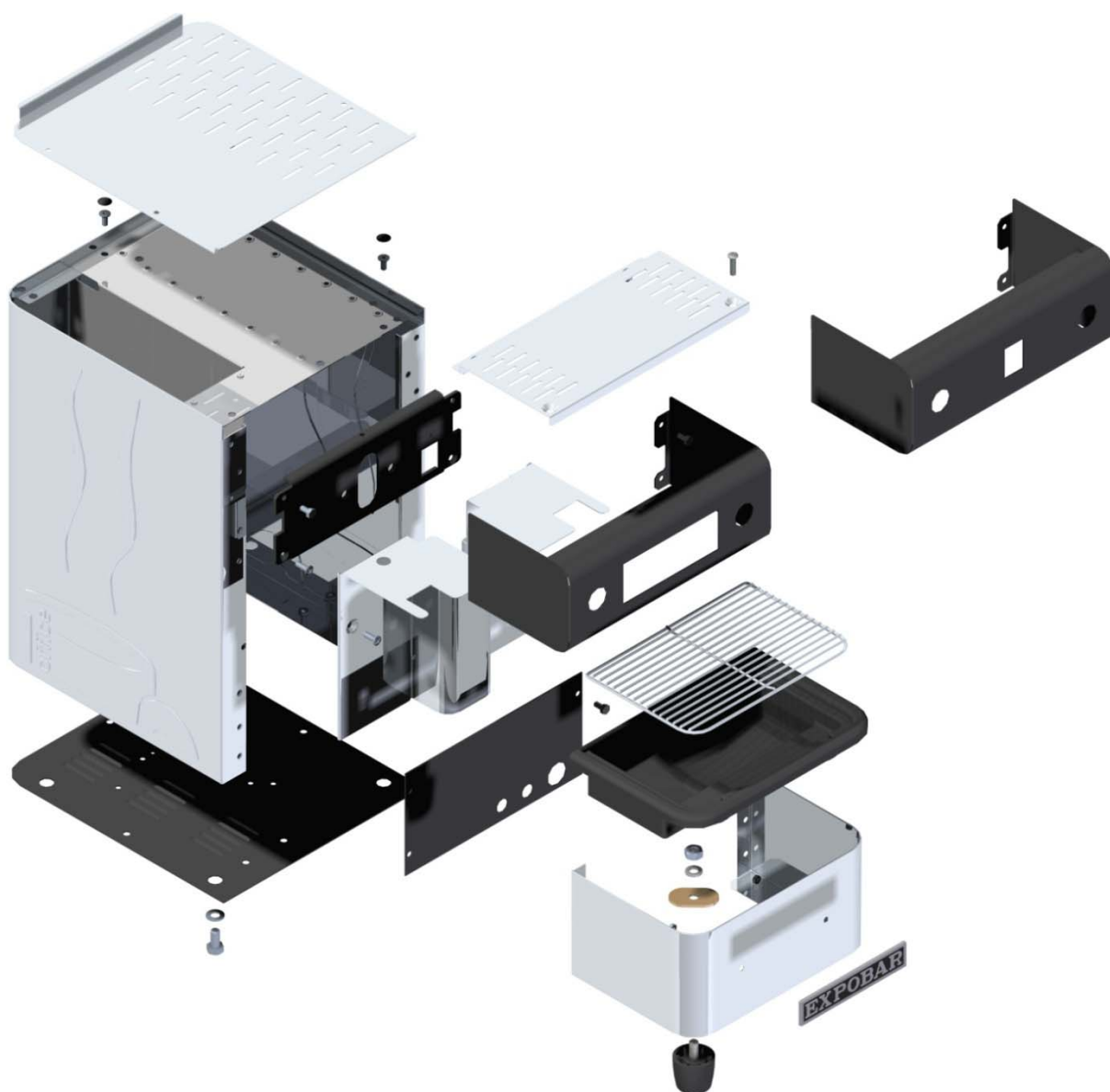
.....

S / EN
Rev. 091026

Contents

1.	Bodywork parts	3
2.	General hydraulic diagram.....	7
3.	General hydraulic diagram.....	8
4.	Boiler diagram.....	11
5.	Brewing group diagram.....	12
6.	Pump diagram	13
7.	Flowmeter diagram	14
8.	Labyrinth diagram	15
9.	Porta-filter diagram	15
10.	Steam and Water taps diagram	16
11.	Hydraulic diagrams.....	17

1. Bodywork parts



TOP FRONT PANEL

Description	CodArticle
TOP FRONT. CONTROL OFFICE	10000000
TOP FRONT. PULSER OFFICE	10000030

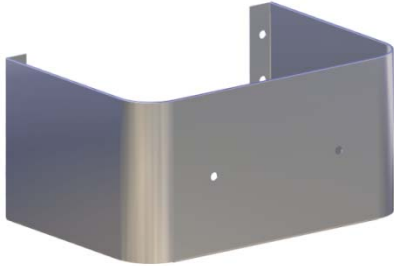


10000000

10000030

LOWER TRIM

Description	CodArticle
LOWER TRIM OFFICE	10000153



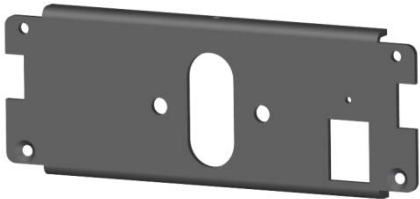
TRAY

Description	CodArticle
DRIP TRAY OFFICE	10000250



PANEL CHASSIS

Description	CodArticle
PANEL CHASSIS OFFICE N	10000350



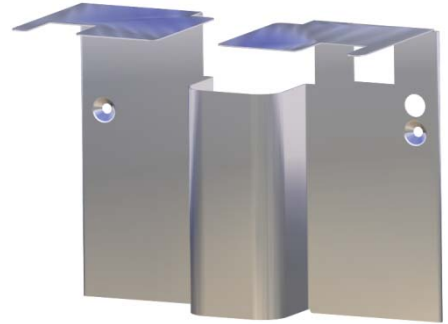
BODYWORK

Description	CodArticle
BODYWORK OFFICE	10000403



FRONTAL

Description	CodArticle
FRONTAL OFFICE	10000110



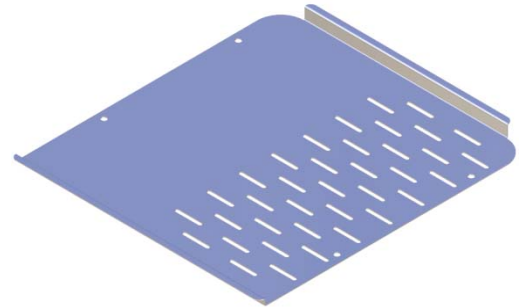
GROUP COVER

Description	CodArticle
GROUP COVER 1GR OFFICE	10000080



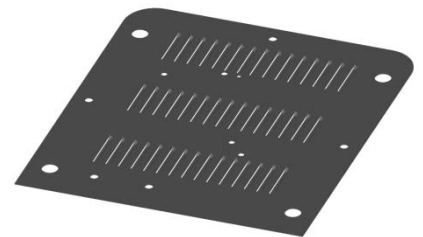
CUP TRAY

Description	CodArticle
CUP TRAY OFFICE	10000060



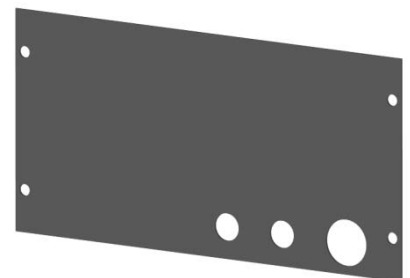
BASE

Description	CodArticle
BASE CHASSIS N LONG	10000301



PUMP DIVIDER

Description	CodArticle
PUMP DIVIDER N	10000170



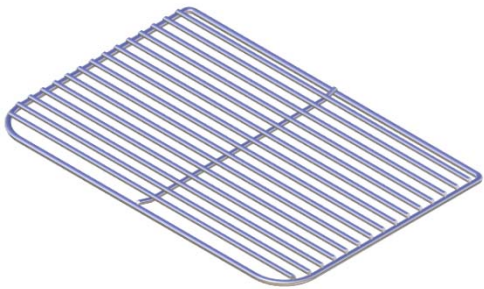
DIVIDER

Description	CodArticle
DIVIDER SET OFIC/MOLI/PLUS	10000135



GRID

Description	CodArticle
GRID OFFICE	10000200



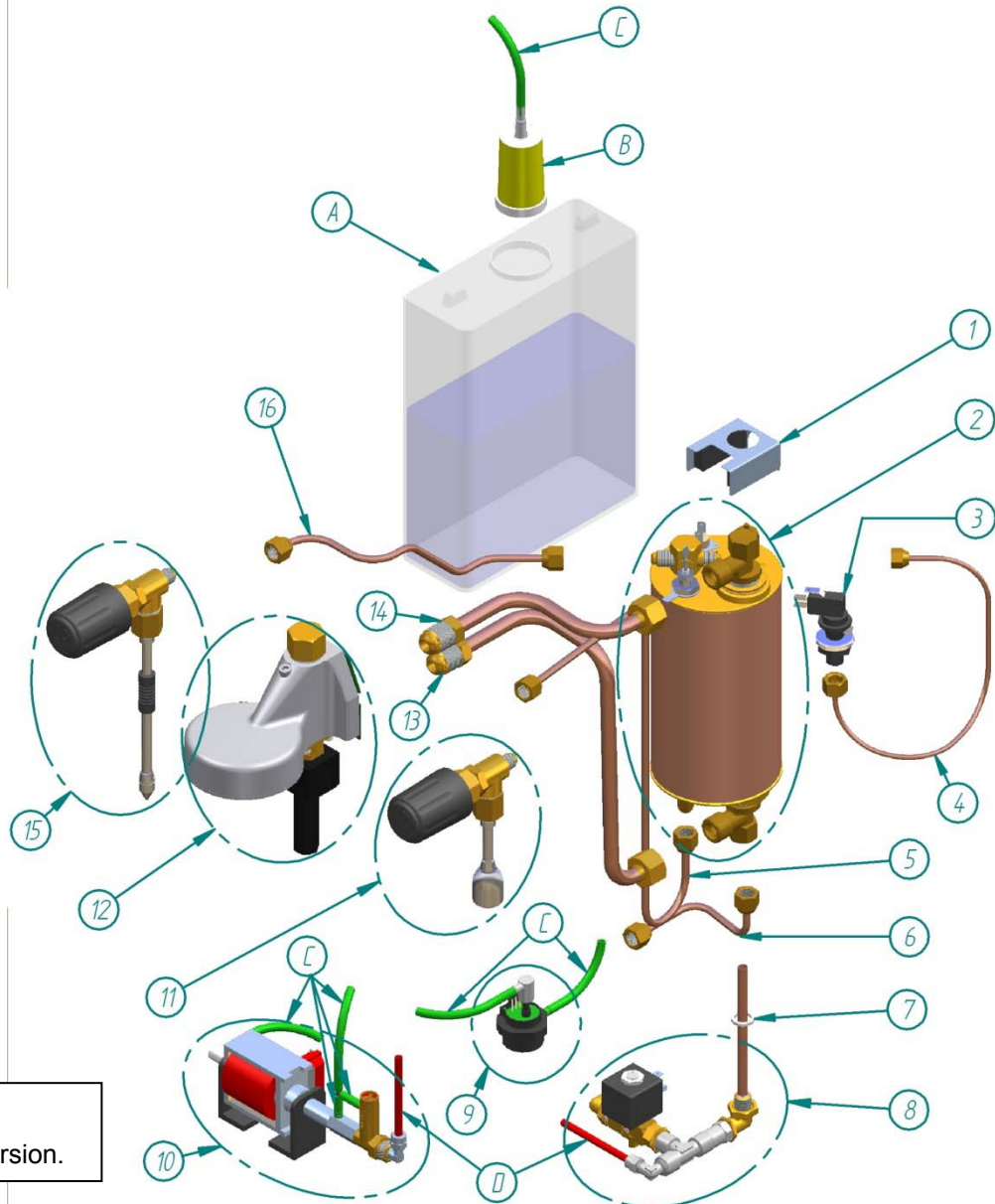
ANAGRAM

Description	CodArticle
ANAGRAM EXPOBAR NICKEL	*70300010A



2. General hydraulic diagram

OFFICE CONTROL / PULSER TANK CONNECTION.



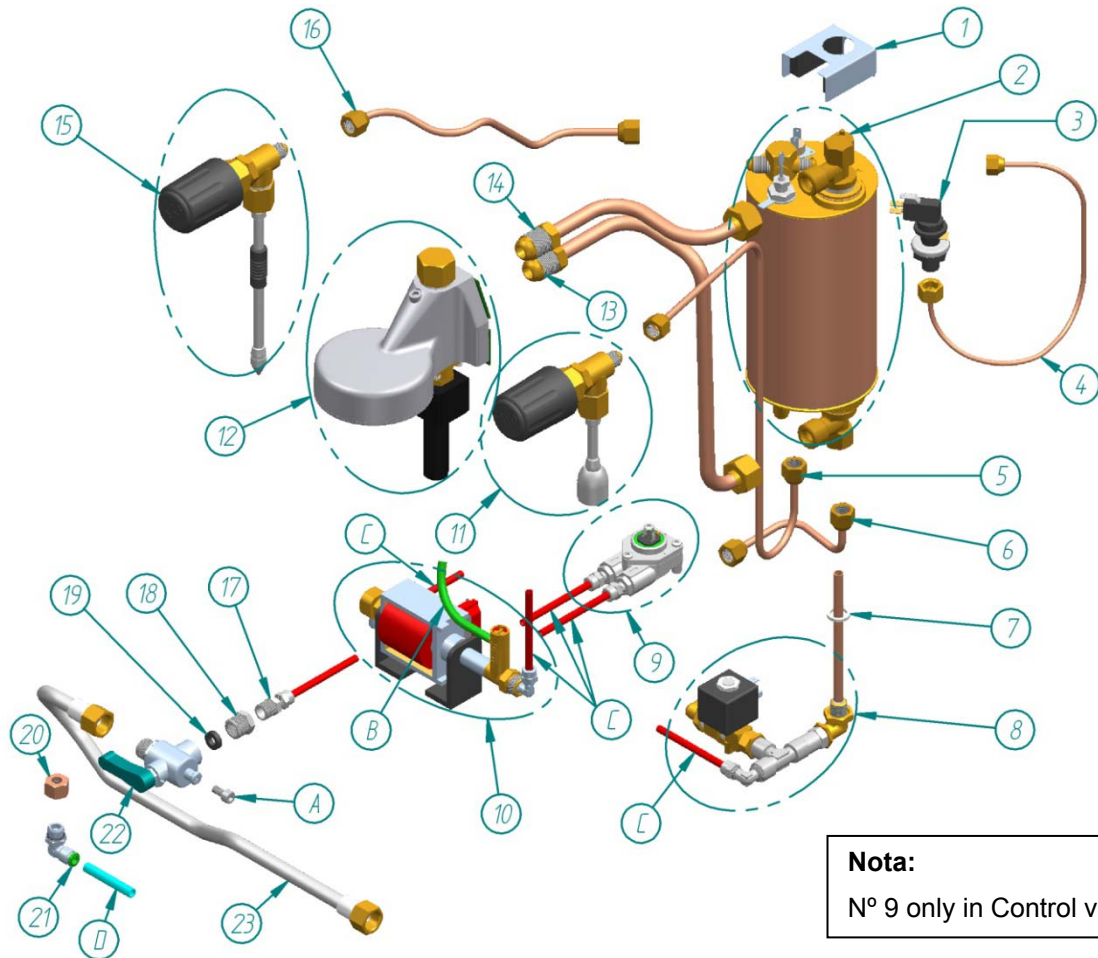
Note:

Nº 9 only in control version.

Nº	Description	CodArticle
1	MAGNET SET	ESC00100
2	COMPLETE ASSEMBLY BOILER OFFICE	-----
3	PIRIS PRESSOSTAT CE	60000008
4	PRESSOSTAT TUBE OFFICE	35020030
5	WATER TUBE OFFICE	35020010
6	BOILER CHARGE TUBE OFFICE	35020040
7	TEFLÓN 1/4 (13.2X18.2X2.5)	50010020
8	LABYRINTH OFFICA AND 2 CALDERAS	ESC00250
9	FLOWMETER	-----
10	VIBRATORY PUMP ASSEMBLY	-----
11	COMPLETE WATER TAP	-----
12	COMPLETE BREWING GROUP	-----
13	GROUP RETURN TUBE OFFICE	35020003
14	GROUP ENTRY TUBE OFFICE	35020004
15	COMPLETE STEAM TAP OFFICE	-----
16	STEAM TUBE OFFICE	35020020
A	PLASTIC OFFICE TANK H-245-3L	70000100
B	WATER SOFTENER OFFICE	10200420
C	MTS SILICONE TUBE 4x7 PUMP ENTRY	35021000
D	MTS TEFLÓN TUBE 4 x 6	35021015

3. General hydraulic diagram

DIAGRAM OFFICE CONTROL / PULSER NETWORK CONNECTION



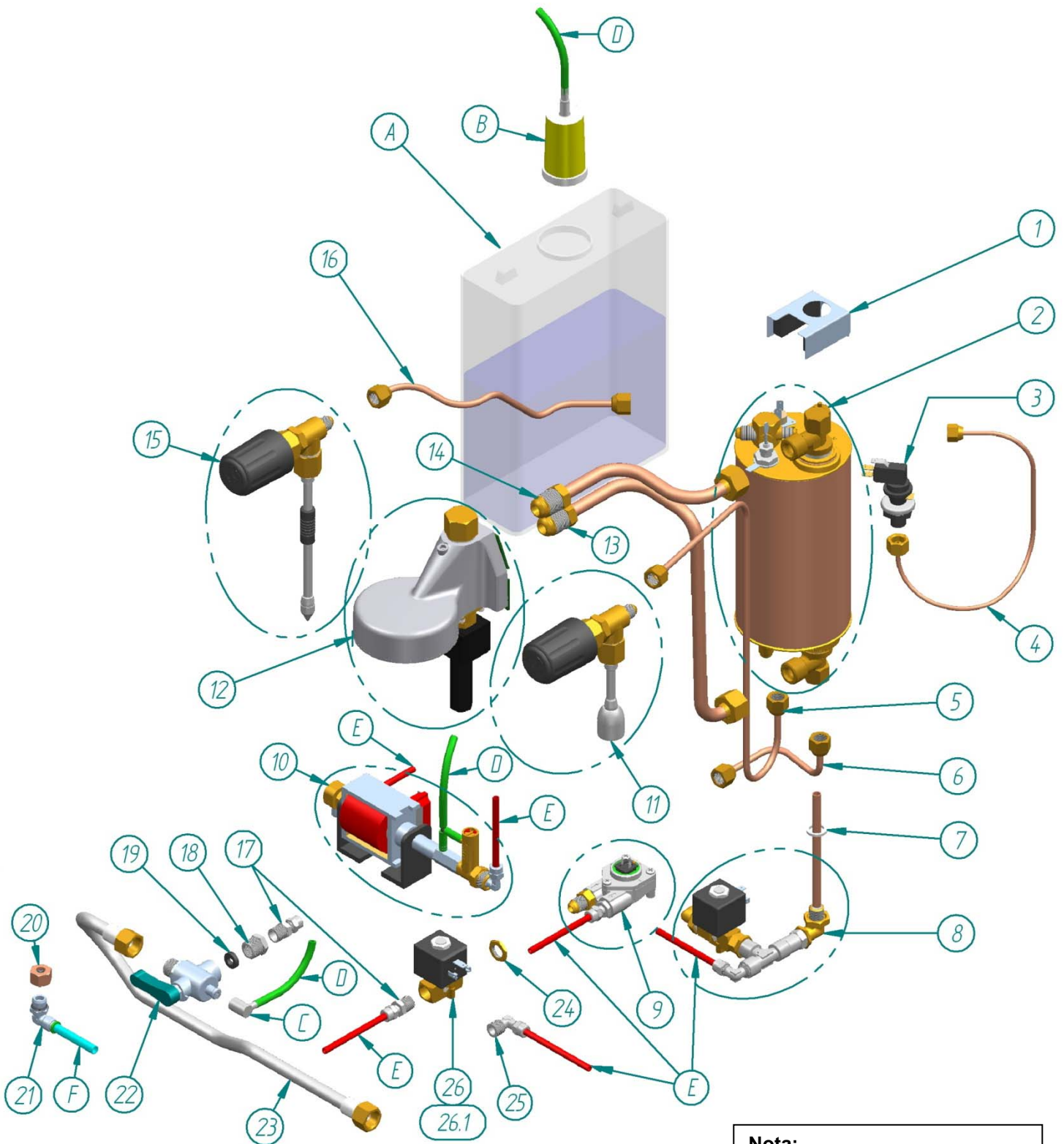
Nota:

Nº 9 only in Control version.

Nº	Description	CodArticle
1	MAGNET SET	ESC00100
2	COMPLETE ASSEMBLY BOILER OFFICE	-----
3	PIRIS PRESSOSTAT CE	60000008
4	PRESSOSTAT TUBE OFFICE	35020030
5	WATER TUBE OFFICE	35020010
6	BOILER CHARGE TUBE OFFICE	35020040
7	TEFLÓN 1/4 (13.2X18.2X2.5)	50010020
8	LABYRINTH OFFICA AND 2 CALDERAS	ESC00250
9	FLOWMETER	-----
10	VIBRATORY PUMP ASSEMBLY	-----
11	COMPLETE WATER TAP	-----
12	COMPLETE BREWING GROUP	-----
13	GROUP RETURN TUBE OFFICE	35020003
14	GROUP ENTRY TUBE OFFICE	35020004
15	COMPLETE STEAM TAP OFFICE	-----
16	STEAM TUBE OFFICE	35020020
17	STRAIGHT MALE 1/4-TUBE 6 RED/CAR	30400080
18	FALE FEMALE REDUCER 3/8 X 1/4	30000003
19	FLAT GASKET (15.5*7.5*4)	50000030
20	FLAT BASE SCREW ¼ (FOR TUBE DIAM 6)	*35010210
21	ORIENT. BEND ¼ M T-8 FAST	30400031
22	WATER SOFTENER TAP INF/SUP	1000001A
23	FLEXIBLE HOSE 180 CM	35900180
A	SCREW DIN 912 6X10 A2 ALLEN	25091250
B	MTS SILICONE TUBE 4x7 PUMP ENTRY	35021000
C	MTS TEFLÓN TUBE 4 x 6	35021015
D	MT DRAIN TUBE OFFICE D-8	35021020

3. General hydraulic diagram

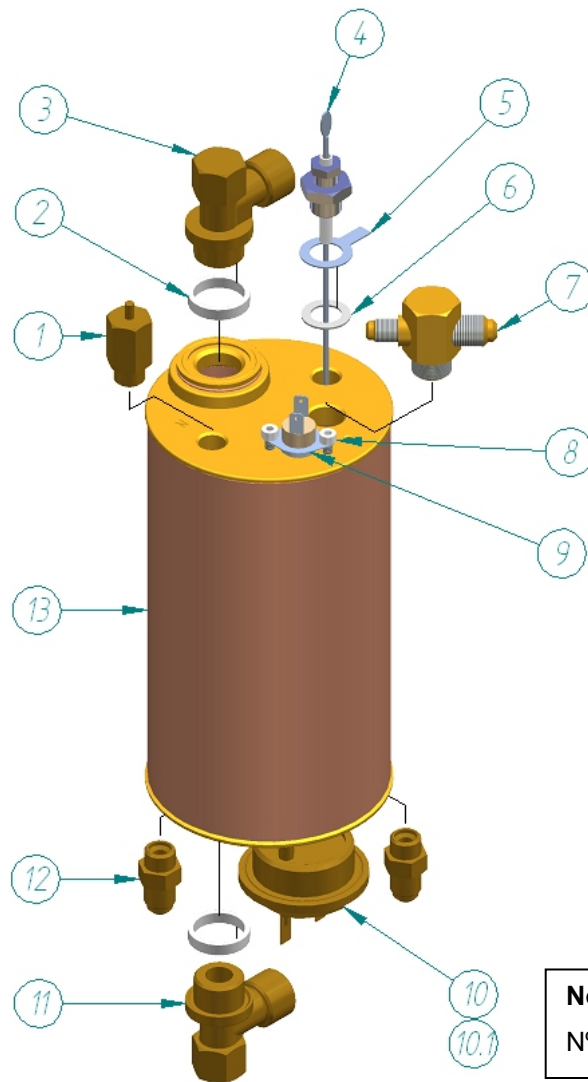
DIAGRM OFFICE CONTROL / PULSER NETWORK CONNECTION AND TANK



3. General hydraulic diagram

Nº	Description	CodArticle
1	MAGNET SET	ESC00100
2	COMPLETE ASSEMBLY BOILER OFFICE	-----
3	PIRIS PRESSOSTAT CE	60000008
4	PRESSOSTAT TUBE OFFICE	35020030
5	WATER TUBE OFFICE	35020010
6	BOILER CHARGE TUBE OFFICE	35020040
7	TEFLÓN 1/4 (13.2X18.2X2.5)	50010020
8	LABYRINTH OFFICA AND 2 CALDERAS	ESC00250
9	FLOWMETER	-----
10	VIBRATORY PUMP ASSEMBLY	-----
11	COMPLETE WATER TAP	-----
12	COMPLETE BREWING GROUP	-----
13	GROUP RETURN TUBE OFFICE	35020003
14	GROUP ENTRY TUBE OFFICE	35020004
15	COMPLETE STEAM TAP OFFICE	-----
16	STEAM TUBE OFFICE	35020020
17	STRAIGHT MALE 1/4-TUBE 6 RED/CAR	30400080
18	MALE FEMALE REDUCER 3/8 X 1/4	30000003
19	FLAT AXIS JOINT (15.5X7.5X4)	50000030
20	FLAT BASE SCREW ¼ (FOR TUBE DIAM 6)	*35010210
21	ORIENT. BEND ¼ M T-8 FAST	30400031
22	WATER SOFTENER TAP INF/SUP	I000001A
23	FLEXIBLE HOSE 180 CM	35900180
24	HEXAGONAL LOCK NUT ¼ PRESSOSTAT	30100010
25	MALE ELBOW 1/4 TUBE 6 BATTERY	30400020
26	ELECTROVALVE 1/4 PARKER 220V	60000100
26.1	ELECTROVALVE 1/4 PARKER 110V-60HZ	60000103
A	PLASTIC TANK OFFICE H-245-3L	70000100
B	WATER SOFTENER OFFICE	10200420
C	PUMP PIPE OFFICE	30400070
D	MTS SILICONE TUBE 4x7 PUMP ENTRY	35021000
E	MTS TEFLÓN TUBE 4 x 6	35021015
F	MT DRAIN TUBE OFFICE D-8	35021020

4. Boiler diagram

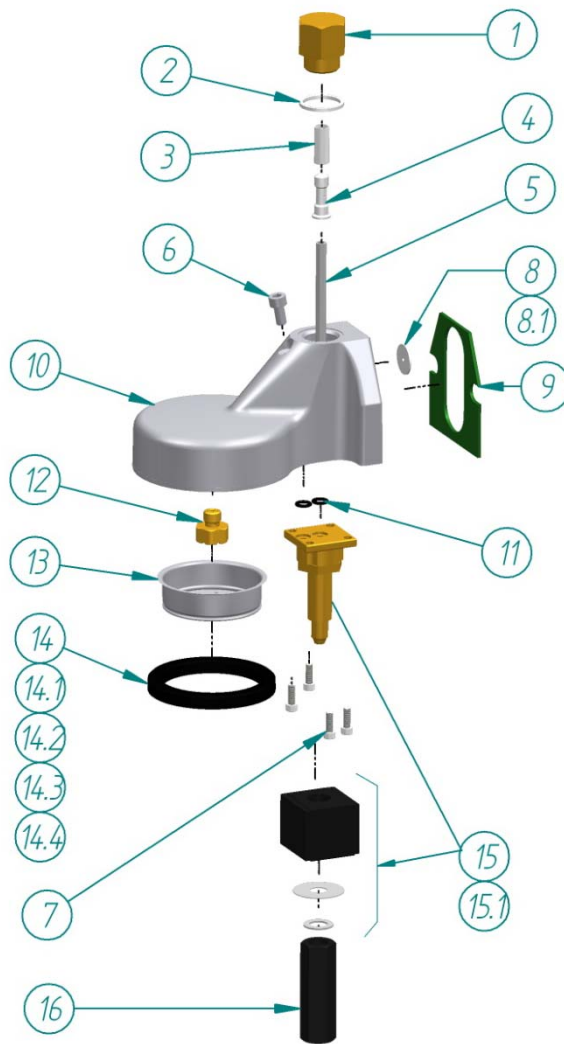


Nota:

N° 5 only in the Control version

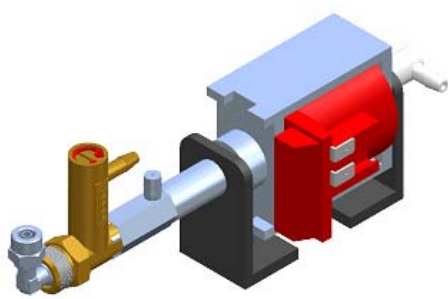
N°	Description	CodArticle
1	NON SUCTION VALVE	65000200
2	THERMIC TEFLÓN GASKET 1/2 (21.2X25.7X5)	50010010
3	RACCORD SUP. THERMICS 1/2X1/2	30000200
4	LEVEL PROBE 1/4 BRASS	60100040
5	GROUND WASHER ST.STEEL	25000003
6	WASHER. DIN 6798-M12 (A) A2 COGGED	25679812
7	RACCORD 2 WAYS 1/4 X 1/8 BLIND OFFICE	30000120
8	SCREW DIN 912 - 4X12 A2 ALLEN	25091210
9	THERMOSTAT OFFICE 16 A	10200110
10	ELEMENT 1200W-230V OFFICE	38012000
10.1	ELEMENT 1200/930W-125/110V OFFICE UL	38012001
11	RACCORD INF. THERMICS 1/2X1/2X1/4	30000210
12	CONIC RACCORD 1/4X1/4 ELECTRON	30000510
13	BOILER OFFICE 1,5 LITRES	15100000

5. Brewing group diagram

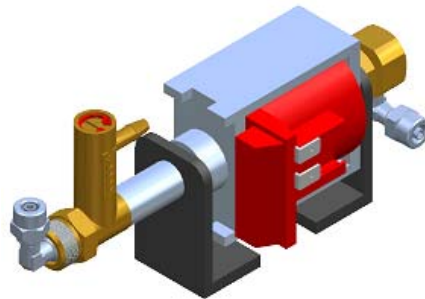


Nº	Description	CodArticle
1	LONG PLUG 1/2 GROUP	30200035
2	GROUP TEFLÓN GASKET (21.7x25.7x2)	50010040
3	GROUP TUBULAR FILTER	70000009
4	TEFLÓN PORTAFILTER REDUCER	30200061
5	TEFLÓN REDUCER 4x6x65	30200026
6	SCREW DIN 912-6x10 A2 ALLEN	25091250
7	SCREW DIN 912-4x12 A2 ALLEN	25091210
8	TEFLON REDUCER 3.5 (3.5x18.2x1)	50020000
8.1	TEFLON REDUCER 2.5 (2.5x18.2x1)	50020020
9	FLAT WASHER GROUP CHASSIS GREEN	50000010
10	GROUP BODY CREM	30200010
11	ELECTROVALVE GASKET VITON OR 6.07x1.78	50000100
12	GROUP DIFFUSOR CREM	30200040
13	SHOWER	75000010
14	PORTAFILTER GASKET 8 EXPOBAR	75000081
14.1	PORTAFILTER GASKET 8,5MM	75000083
14.2	PORTAFILTER GASKET 9MM	75000085
14.3	PORTAFILTER SUPPLEMENT 0.5 mm	75000090
14.4	PORTAFILTER RUBBER SUPLEMENT 1 mm.	75000095
15	GROUP ELECTROVALVE PARKER 220 V	60000112
15.1	GROUP ELECTROVALVE PARKER 110 V	60000115
16	GROUP JET BREAKER OFFICE BLACK	30000045

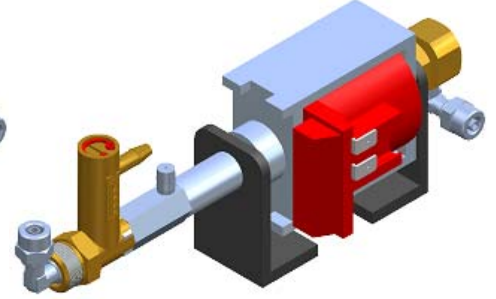
6. Pump diagram



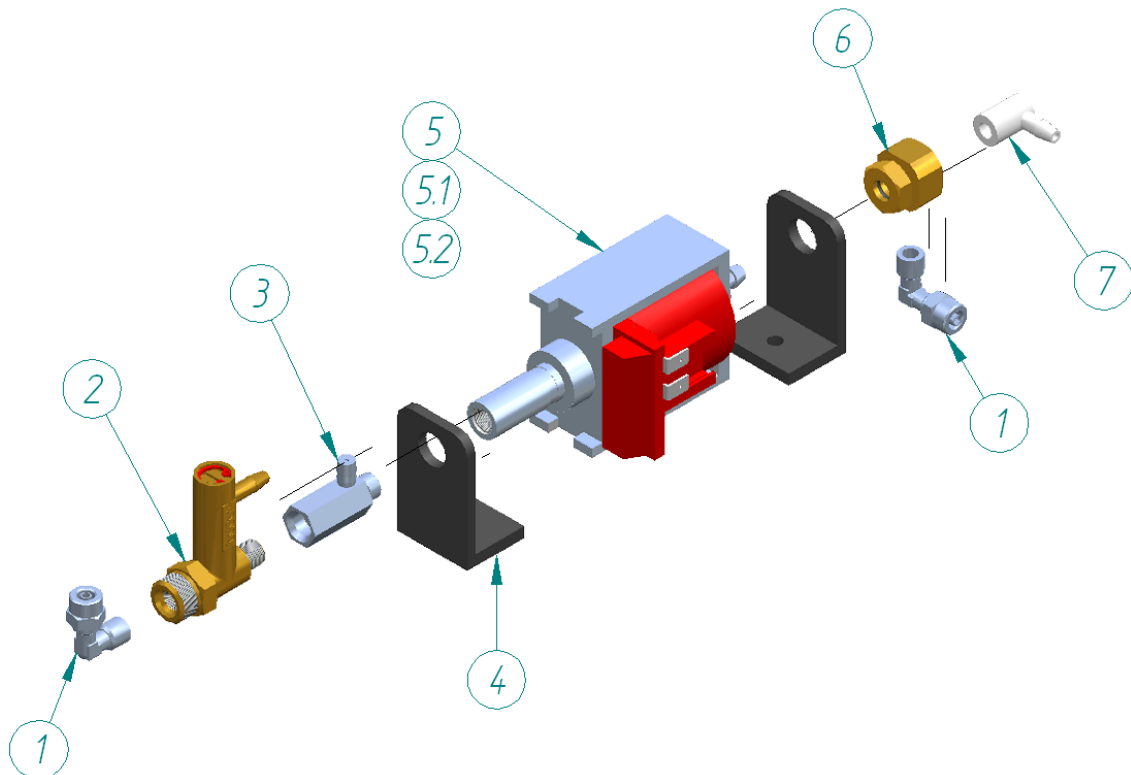
TANK CONNECTION.



NET CONNECTION



NET AND TANK CONNECTION



N°	Description	CodArticle
1	MALE ELBOW 1/8 TUBE 6 PUMP	30400010
2	BYPASS PUMP	30400055
3	AIR RELIEF VALVE	65000215
4	SUPPORT L PUMP OFFICE	30400060
5	PUMP OFFICE 220V 50Hz	60000040
5.1	PUMP OFFICE 220V 60Hz	60000045
5.2	PUMP OFFICE 110V 60Hz	60000047
6	PUMP NET COUPLING RACCORD	30400100
7	PUMP PIPE OFFICE	30400070

7. Flowmeter diagram

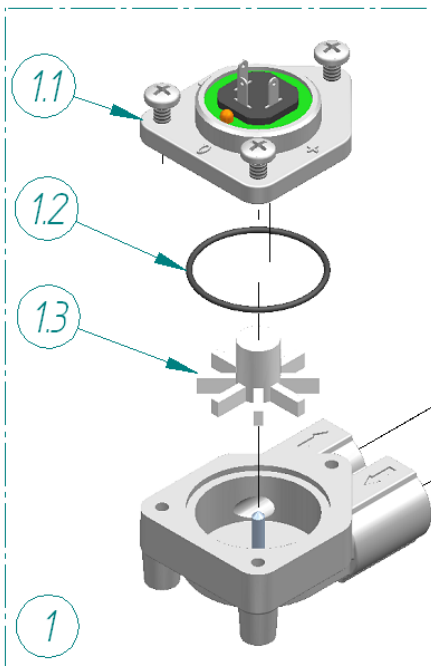


30400070

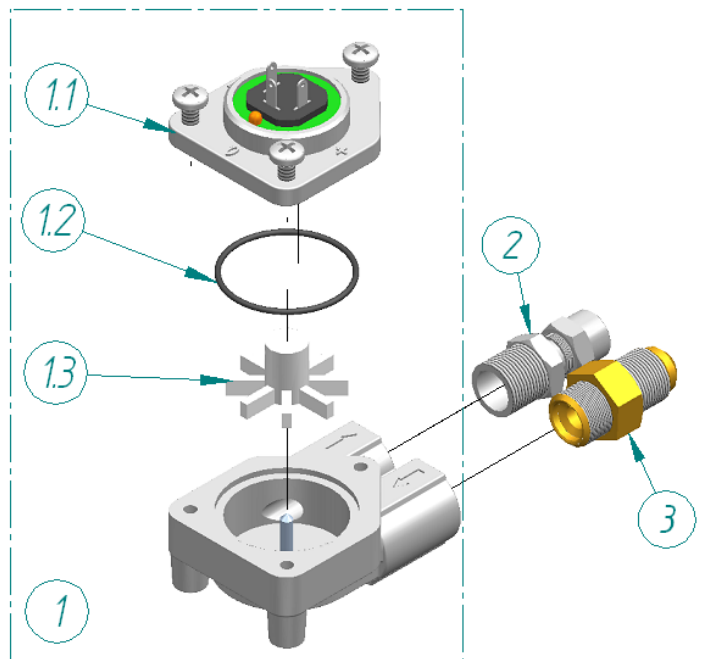
Description	CodArticle
FLOWMETER OFFICE	60100060
PUMP PIPE OFFICE	30400070

60100060

TANK CONNECTION



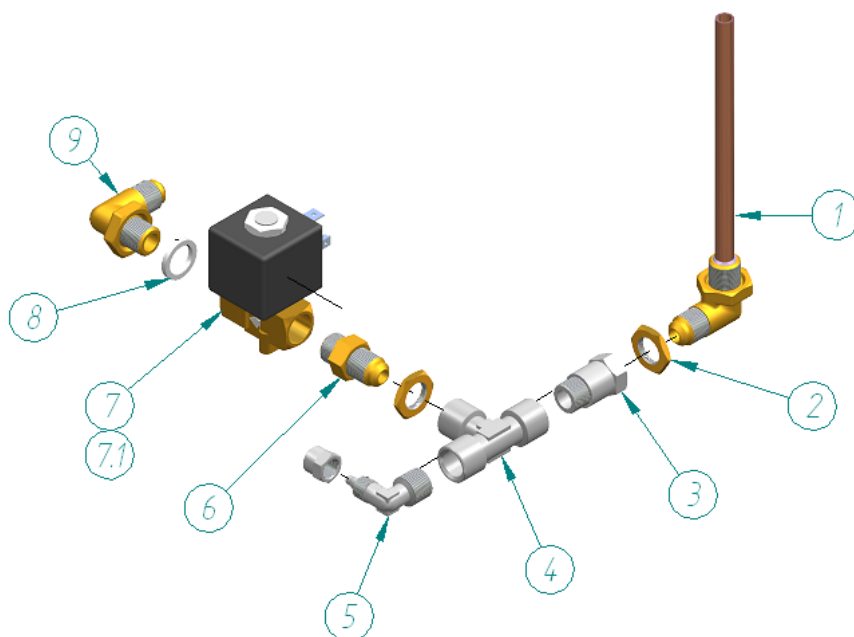
NET CONNECTION



NET AND TANK CONNECTION

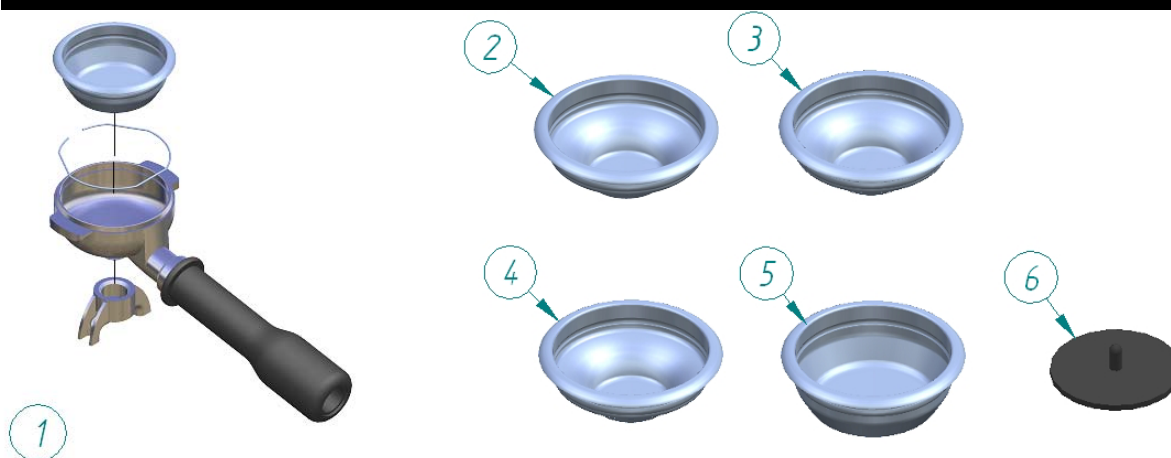
N°	Description	CodArticle
1	FLOWMETER. UL/RED BRASS TEF+LED	60100045
1.1	FLOWMETER CAP. UL LATON	60102040
1.2	FLOWMETER CAP GASKET	60102020
1.3	FLOWMETER CATSPA W	60102010
2	STRAIGHT MALE 1/4-TUBE 6 RED/CAR	30400080
3	CONICAL RACCORD 1/4X1/4 ELECTRON	30000510

8. Labyrinth diagram



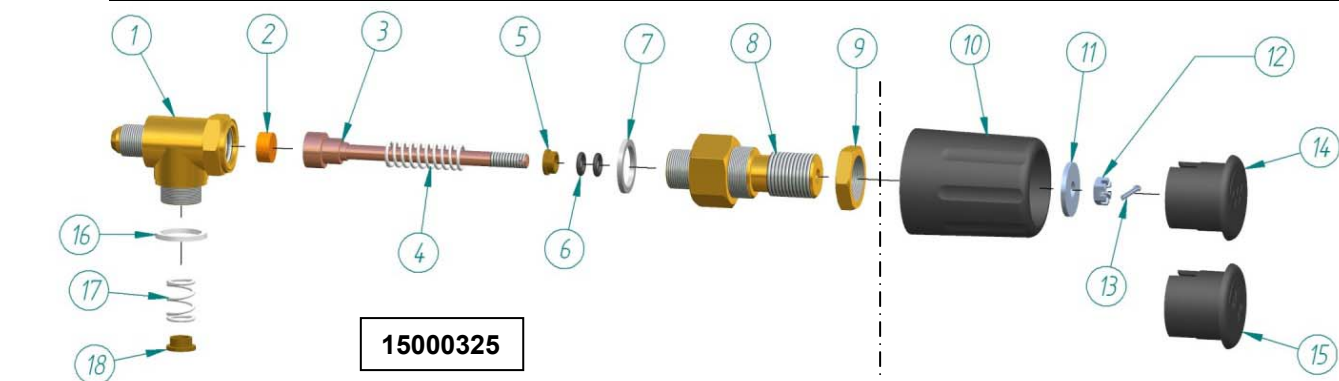
N°	Description	CodArticle
1	CONICAL INJECTOR 1/4	30000220
2	HEXAGONAL LOCK NUT 1/4 PRESSOSTAT	30100010
3	MALE FEMALE UNION 1/4 (LABYRINTH)	30400120
4	T H-H-H- 1/4 (MINI)	30000000
5	MALE ELBOW 1/4 TUBE 6 BATTERY	30400020
6	CONICAL RACCORD 1/4X1/4 ELECTRON	30000510
7	ELECTROVALVE 1/4 PARKER 220V	60000100
7.1	ELECTROVALVE 1/4 PARKER 110V-60Hz	60000103
8	TEFLÓN GASKET 1/4 (13.2X18.2X2.5)	50010020
9	CONICAL ELBOW RACCORD /4X1/4	30000215

9. Porta-filter diagram



N°	Description	CodArticle
1	PORTAFILTER 0 V INCLINED	75003010
2	1CUP FILTER 6gr	75000059
3	1CUP FILTER 6.5gr	75000037
4	1CUP FILTER (7GR.)	75000031
5	2CUPS FILTER (14GR.)	75000041
6	FILTER MEMBRANE	75000000

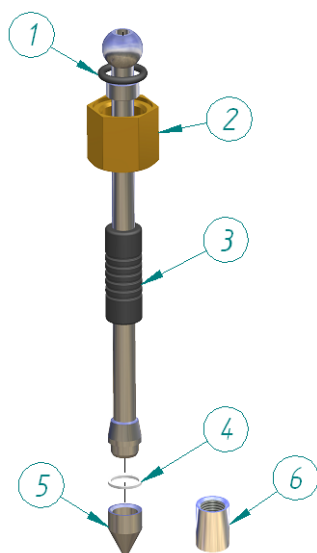
10. Steam and Water taps diagram



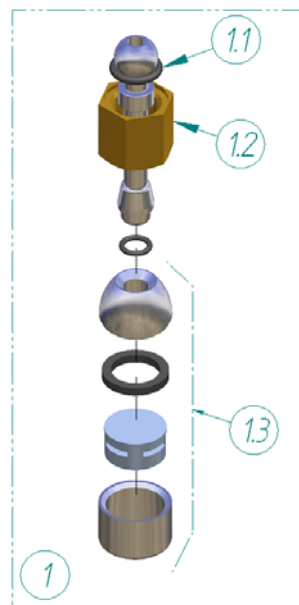
N°	Description	CodArticle
	WATER/STEAM TAP WITHOUT WAND	15000325
1	TAP BODY	30370070
2	CLOSING PLUG	30370060
3	THREAD TAP AXIS M-6	30370050
4	SPRING AXIS	30370040
5	BRASS PRESSING CAP AXIS	30370065
6	TORICA AXIS	30370020
7	METALOPLASTIC GASKET	30370030
8	TAP RACCORD	30370010
9	WATER/STEAM TAP NUT FASTENING	30370140
10	TAP NOV W/S WITHOUT RING	40000015
11	WASHER. DIN 440-M6 R-A2 KNOB	25012521
12	SLOTTED NUT M6-DIN979	25097960
13	WATER/STEAM KNOB PIN	30370110
14	WATER TAP KNOB ANAGRAM	30370120
15	STEAM TAP KNOB ANAGRAM	30370130
16	W/S TAP WAND TEFLÓN GASKET	50010080
17	WATER/STREAM WAND SPRING	30370076
18	PIPE SPRING SOCKET	30370077



15000321G



15000330

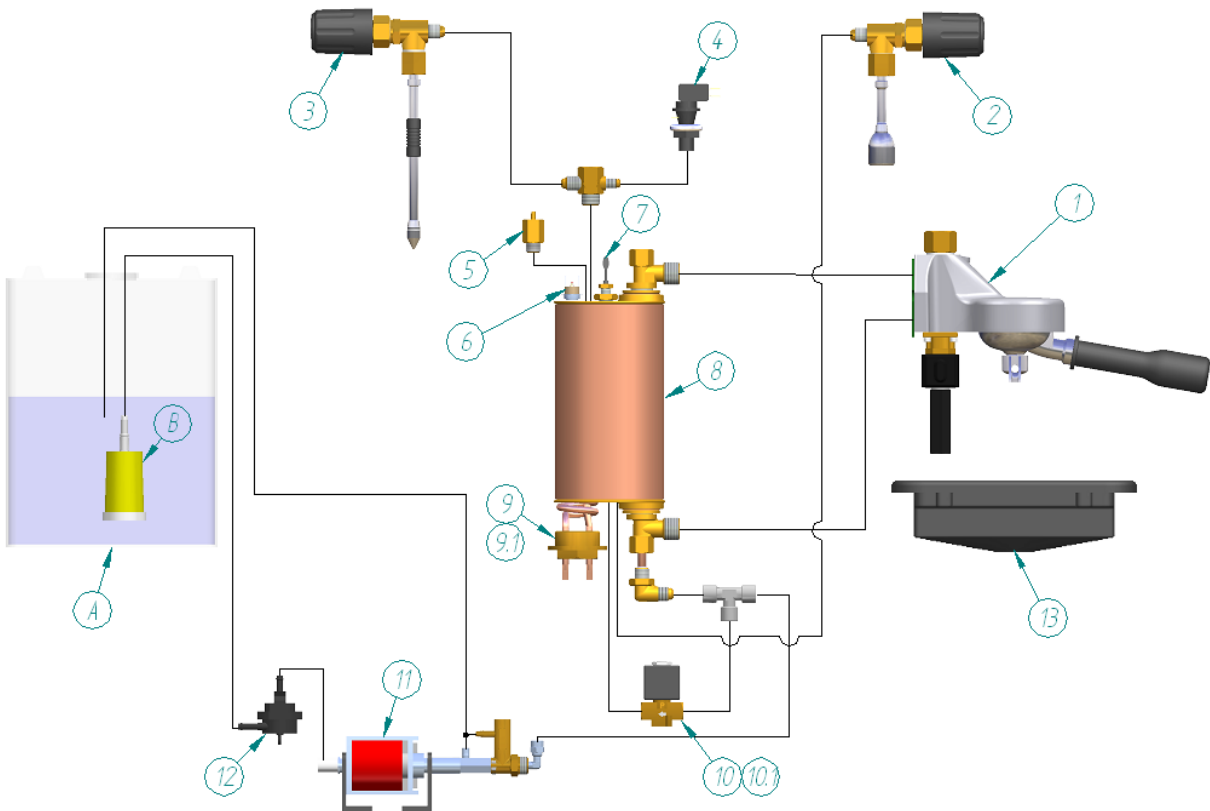


N°	Description	CodArticle
	STEAM TAP OFFICE BIG	15000321G
1	TORICA GASKET 12.1X2.7 WATER/STEAM WAND	30370075
2	NUT 3/8"-HEX 22 FOR WAND	*70000010
3	STEAM WAND RUBBER PROTECTION	70000035
4	STEAMER TEFLÓN GASKET	30370150
5	STEAM CAPPUC. NOZZLE OFFICE 1F	10200460
6	STEAM NOZZLE OFFICE 2F	10200450

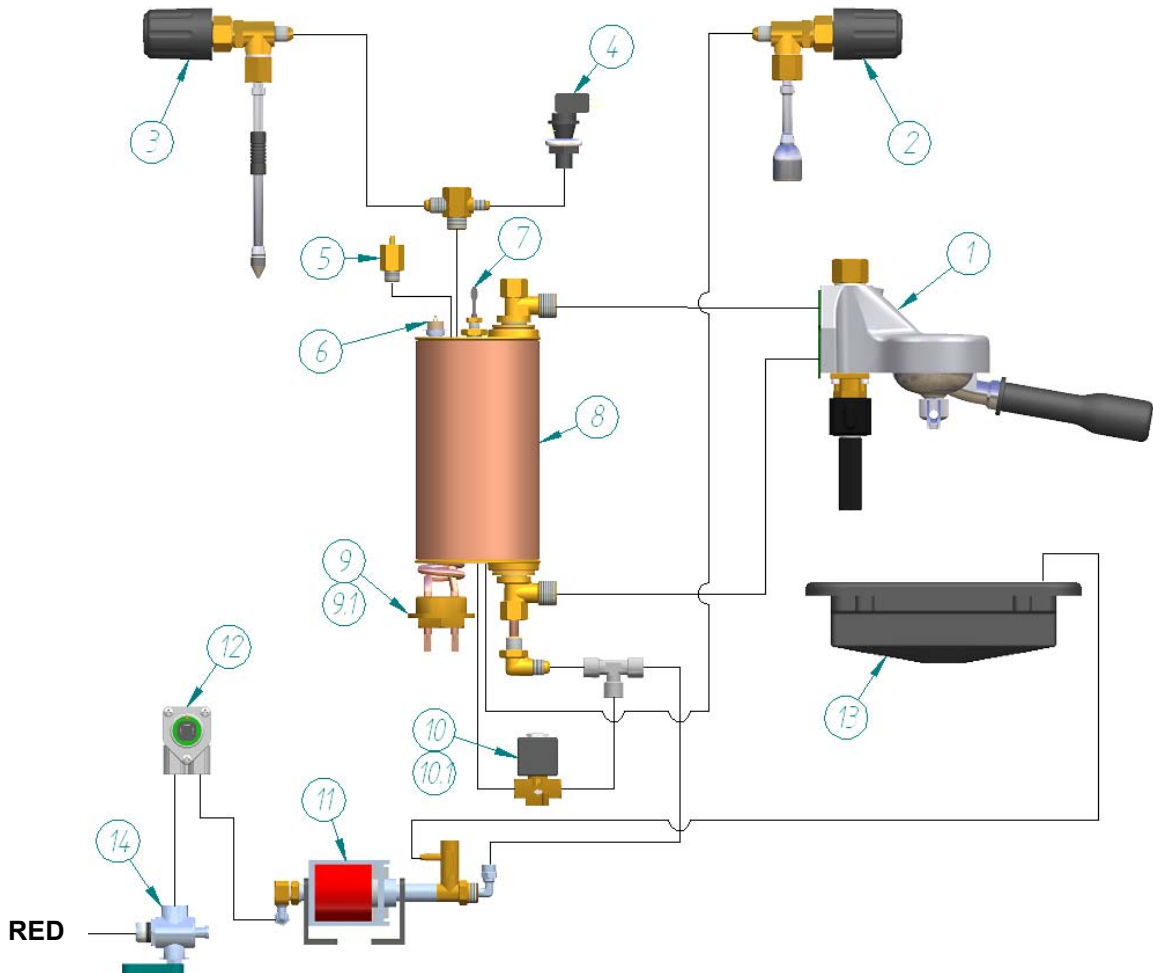
N°	Description	CodArticle
	WATER TAP	15000330
1	WATER WAND MOD. CLASSIC	30370080
1.1	TORICA GASKET 12.1X2.7 WATER/STEAM WAND	30370075
1.2	NUT 3/8"-HEX 22 FOR WAND	*70000010
1.3	COMPL. NOZZLE WATER TAP	30000050

11. Hydraulic diagrams

HYDRAULIC DIAGRAM OFFICE CONTROL / PULSER TANK CONNECTION

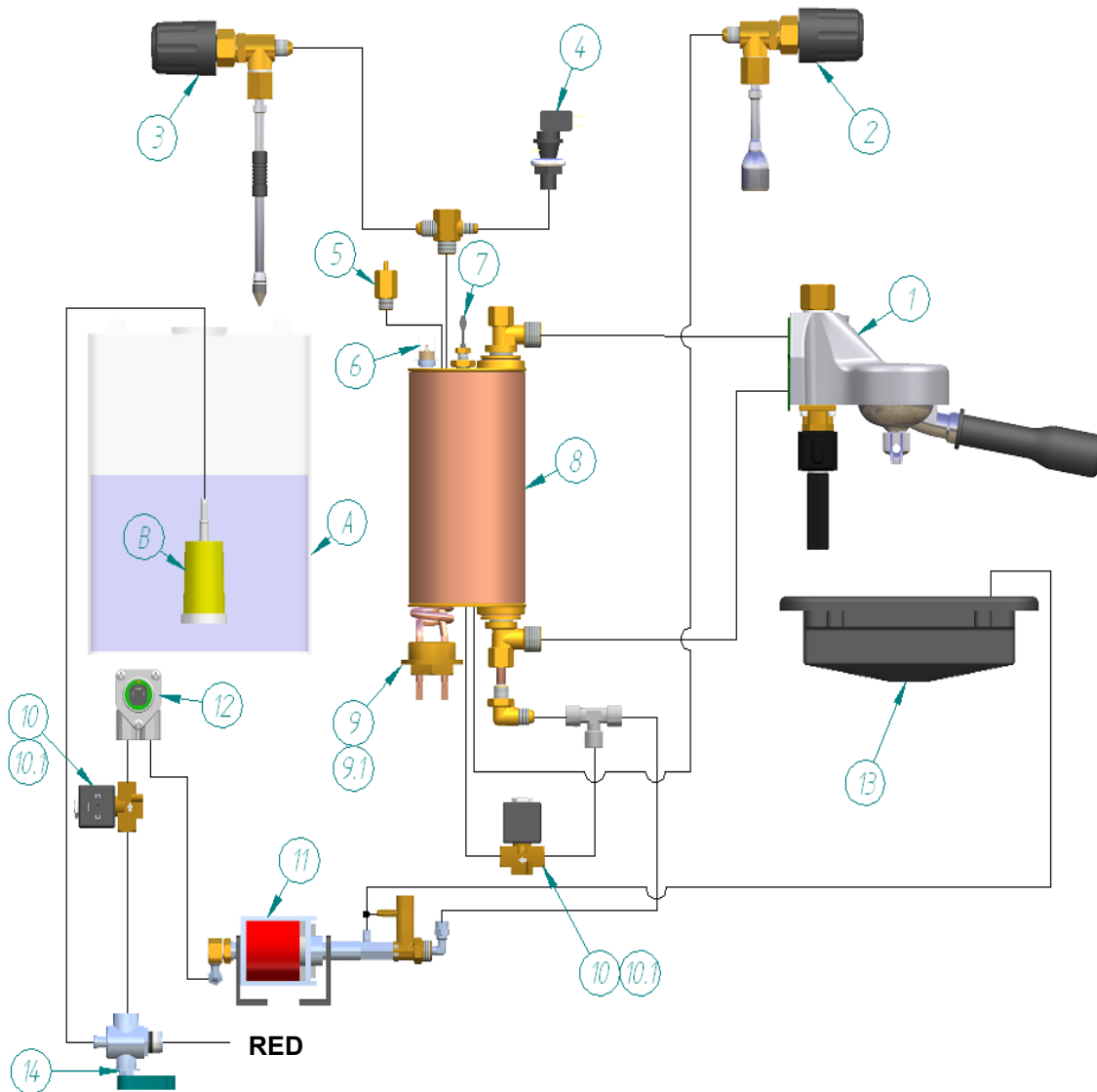


HYDRAULIC DIAGRAM OFFICE CONTROL / PULSER NETWORK CONNECTION



11. Hydraulic diagrams

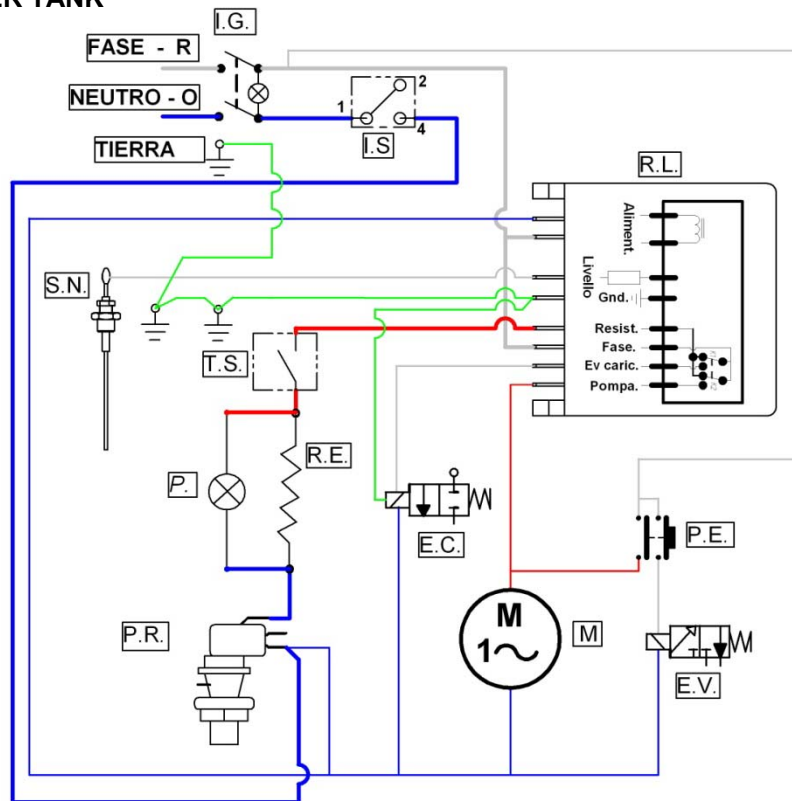
HYDRAULIC DIAGRAM OFFICE CONTROL / PULSER NETWORK CONNECTION & TANK



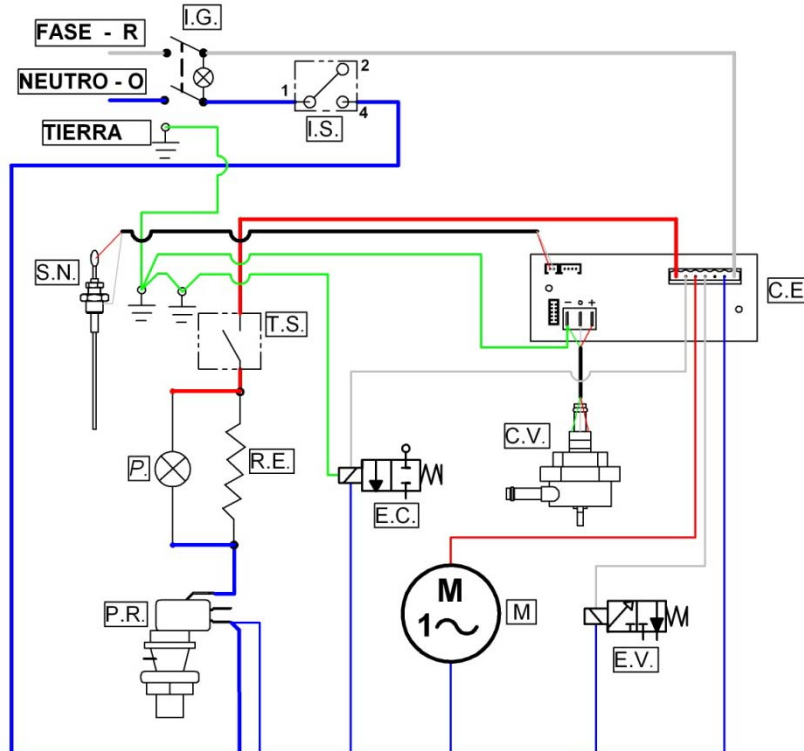
Nº	Description
1	BREWING GROUP
2	COMPLETE WATER TAP
3	COMPLETE STEAM TAP
4	PRESSOSTAT PIRIS CE
5	NON SUCTION VALVE
6	THERMOSTAT OFFICE 16 A
7	LEVEL PROBE
8	OFFICE BOILER 1,5 LITRES
9	ELEMENT 1200W-230V OFFICE
9.1	ELEMENT 1200/930W-125/110V OFFICE UL
10	ELECTROVALVE 1/4 PARKER 220V
10.1	ELECTROVALVE 1/4 PARKER 110V-60Hz
11	VIBRATORY PUMP ASSEMBLY
12	FLOWMETER
13	DRIP TRAY OFFICE
A	PLASTIC TANK OFFICE H245 3L
B	WATER SOFTENER OFFICE

12. Electronic diagrams

OFFICE PULSER TANK



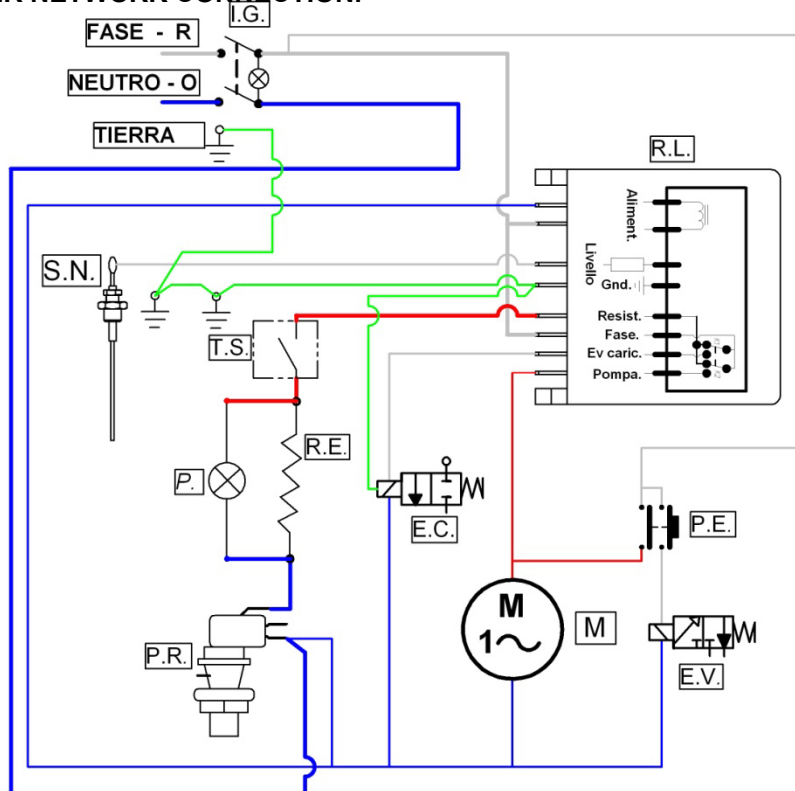
OFFICE CONTROL TANK



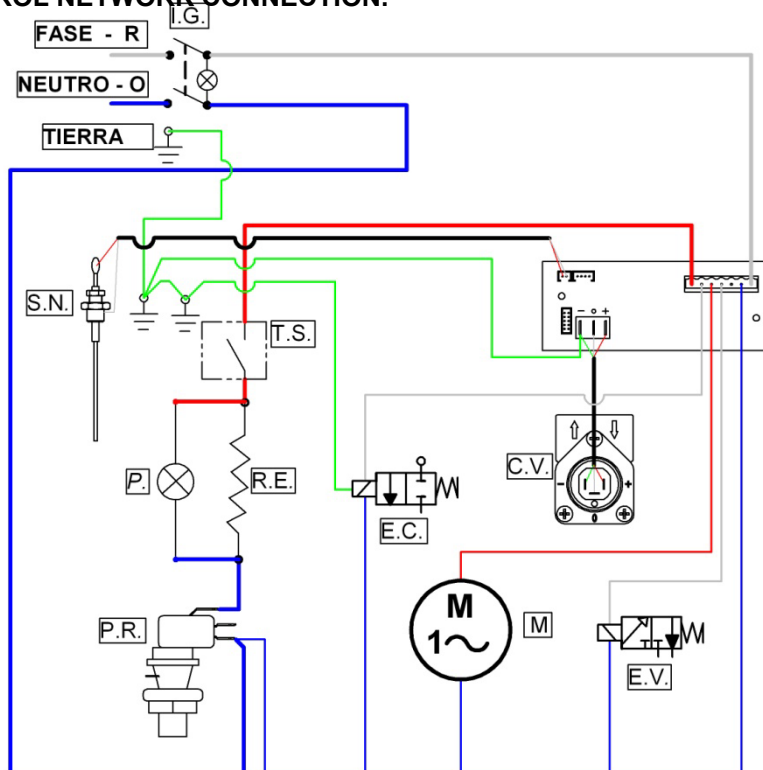
REF.	Description	REF.	Description
R.L.	AUTOLEVEL SWITCHBOARD	S.N.	LEVEL PROBE
C.E.	ELECTRONIC SWITCHBOARD	P.	PILOT
I.G.	GENERAL SWITCH	M.	MOTORPUMP
P.E.	BREWING BUTTON	E.C.	ELECTROVALVE CHARGE
T.S.	SAFETY THERMOSTAT	E.V.	ELECTROVALVE GROUP
P.R.	PRESSOSTAT	C.V.	FLOWMETER
R.E.	ELEMENT	I.S.	SAFETY SWITCH

12. Electronic diagrams

OFFICE PULSER NETWORK CONNECTION.



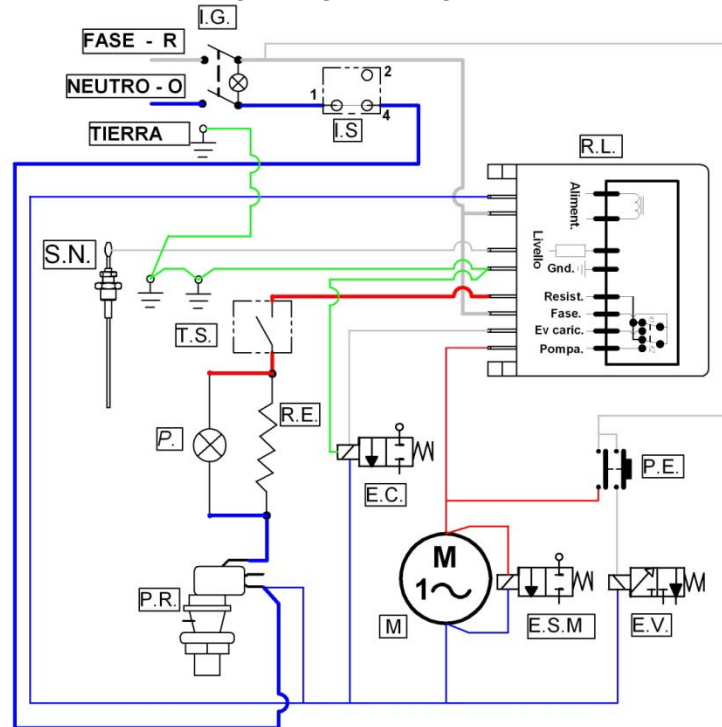
OFFICE CONTROL NETWORK CONNECTION.



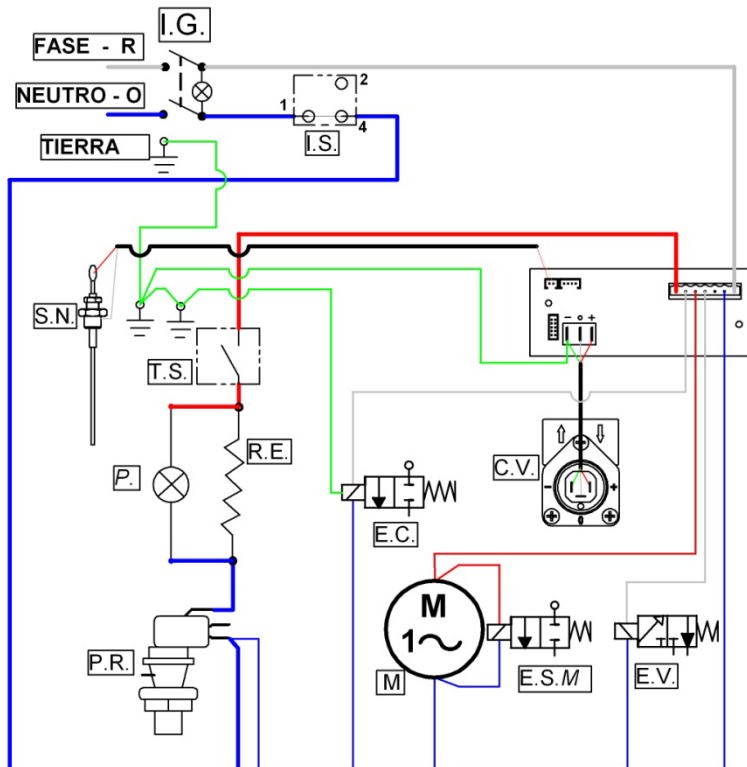
REF.	Description	REF.	Description
R.L.	AUTOLEVEL SWITCHBOARD	S.N.	LEVEL PROBE
C.E.	ELECTRONIC SWITCHBOARD	P.	PILOT
I.G.	GENERAL SWITCH	M.	MOTORPUMP
P.E.	BREWING BUTTON	E.C.	ELECTROVALVE CHARGE
T.S.	SAFETY THERMOSTAT	E.V.	ELECTROVALVE GROUP
P.R.	PRESSOSTAT	C.V.	FLOWMETER
R.E.	ELEMENT		

12. Electronic diagrams

OFFICE PULSER TANK AND NETWORK CONNECTION



OFFICE CONTROL TANK AND NETWORK CONNECTION



REF.	Description	REF.	Description
R.L.	AUTOLEVEL SWITCHBOARD	P.	PILOT
C.E.	ELECTRONIC SWITCHBOARD	M.	MOTORPUMP
I.G.	GENERAL SWITCH	E.C.	ELECTROVALVE CHARGE
P.E.	BREWING BUTTON	E.V.	ELECTROVALVE GROUP
T.S.	SAFETY THERMOSTAT	C.V.	FLOWMETER
P.R.	PRESSOSTAT	I.S.	SAFETY SWITCH
R.E.	ELEMENT	E.S.M.	SAFETY ELECTROVALVE MIXTE
S.N.	LEVEL PROBE		

13. Electric and electronic devices



60100040



25000003



60100037



60100035

Description	CodArticle
EARTH WASHER ST.STEEL	25000003
LEVEL PROBE 1/4 BRASS	60100040
SWITCHBOARD LEVEL PROBE CABLE 1D5	60100037
SWITCHBOARD CABLE OFFICE	60100035



Description	CodArticle
ELEMENT PILOT 55 CM	60901001



Description	CodArticle
ELECTROVALVE 1/4 PARKER 220 V	60000100
ELECTROVALVE 1/4 PARKER 110V-60Hz	60000103



Description	CodArticle
ELECTROVALVE GROUP PARKER 220V	60000112
ELECTROVALVE GROUP PARKER 110V.	60000115



Description	CodArticle
PRESSOSTAT PIRIS CE	60000008



Description	CodArticle
LEVEL REGULATOR SR 240V	60100101
LEVEL REGULATOR SR 115 V	60100106



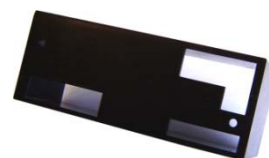
60100402 / 60100404



*70000184



60102012



60102004

Description	CodArticle
SWITCHBOARD 1d5 OVAL 220V WITH PROBE	60100402
SWITCHBOARD 1d5 OVAL 115V WITH PROBE	60100404
SWICHBOARD LABEL 1d5 CARBON	*70000184
SWITCHBOARD FRONT 1D5 OVAL HOLES	60102012
SWITCHBOARD REAR BOX 1D5 BLACK	60102004

13. Electric and electronic devices



Description	CodArticle
RED LIGHT SQUARE SWITCH	60900035



Description	CodArticle
BLACK SWITCH	60900043



Description	CodArticle
MINISWITCH OFFICE	60900030



Description	CodArticle
ELECTROVALVE SPRING	55000040



Description	CodArticle
ELEMENT 1200W-230V OFFICE	38012000
ELEMENT 1200/930W-125/110V OFFICE UL	38012001



Description	CodArticle
AUTOMATIC WATER SOFTENER 4 LTS.	01000004
AUTOOM. WATER SOFTENER 4 Lts. 110V	01000004E



FOR SERVICE

Please contact your distributor

Your distributor

.....

.....

.....

CREM INTERNATIONAL SPAIN S.L.U.

C/ Comerç nº 4 – Pol. Ind. Alcodar – Gandía (Valencia – Spain)
Tel: + 34 96 287 88 75, Fax: +34 96 287 88 39
E-mail: info.es@creminternational.com www.creminternational.com

Art. nº 00000000