

GALATEA DOMUS

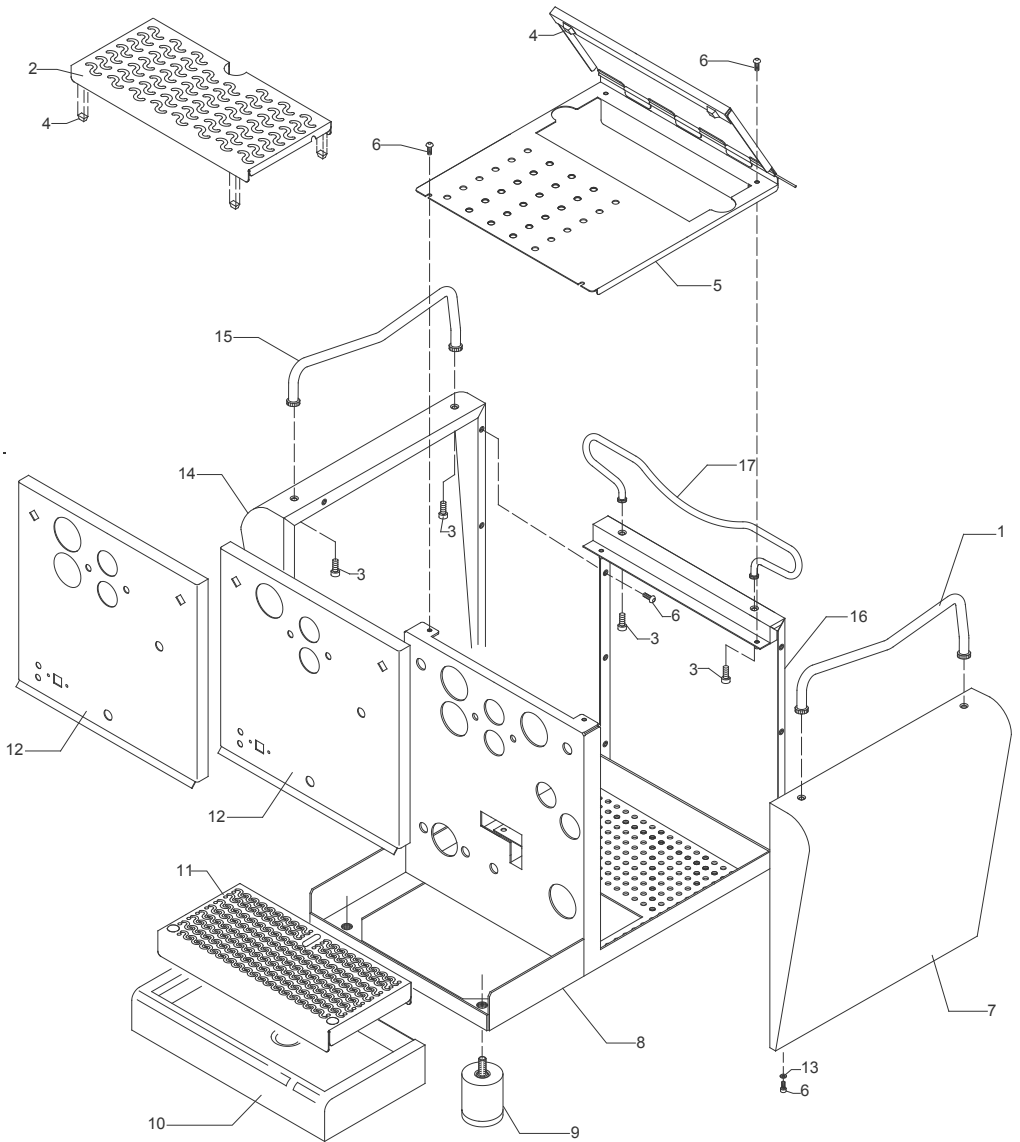


BEZZERA

Dal 1901

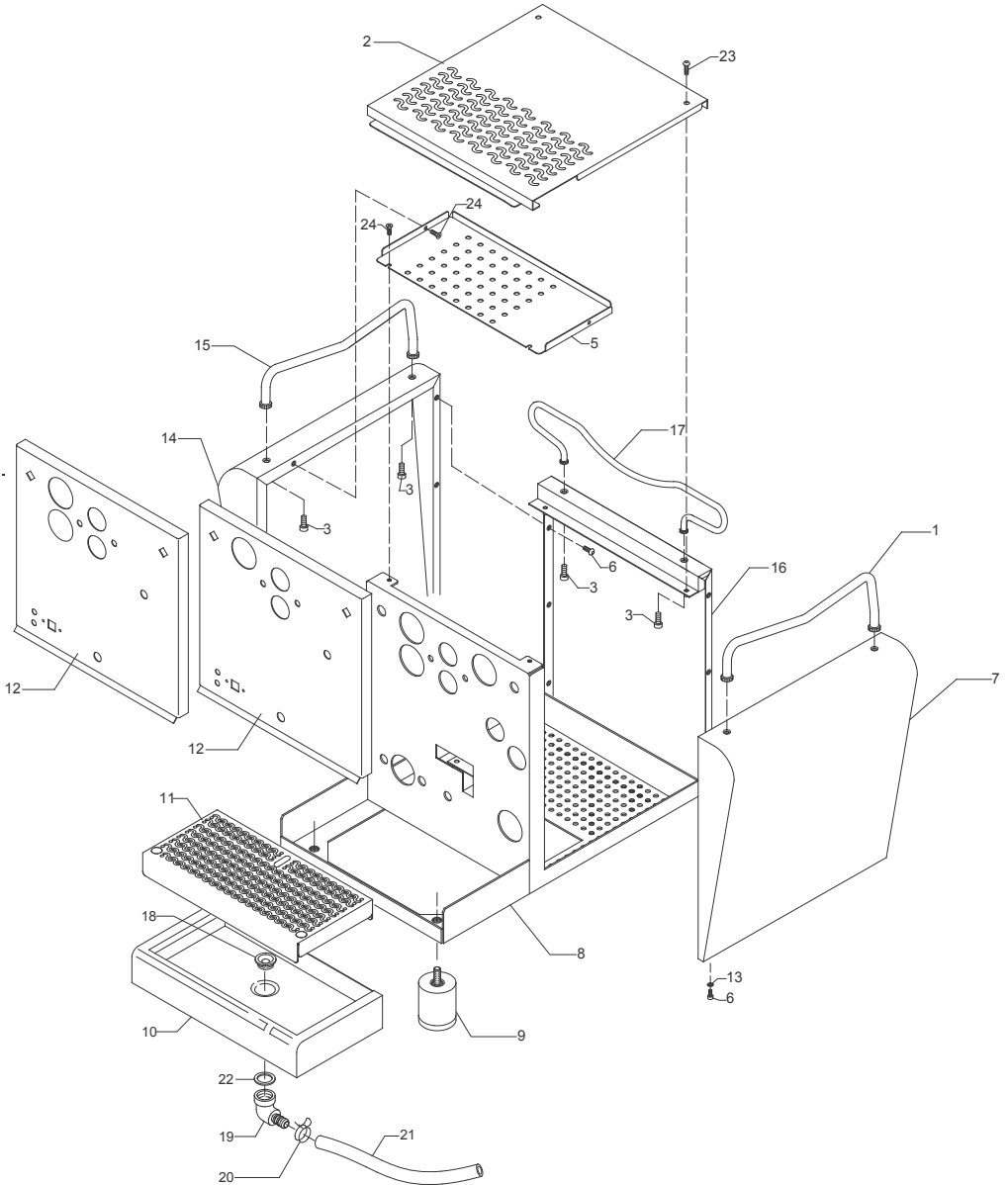
COD. 9942031.06

REV.00

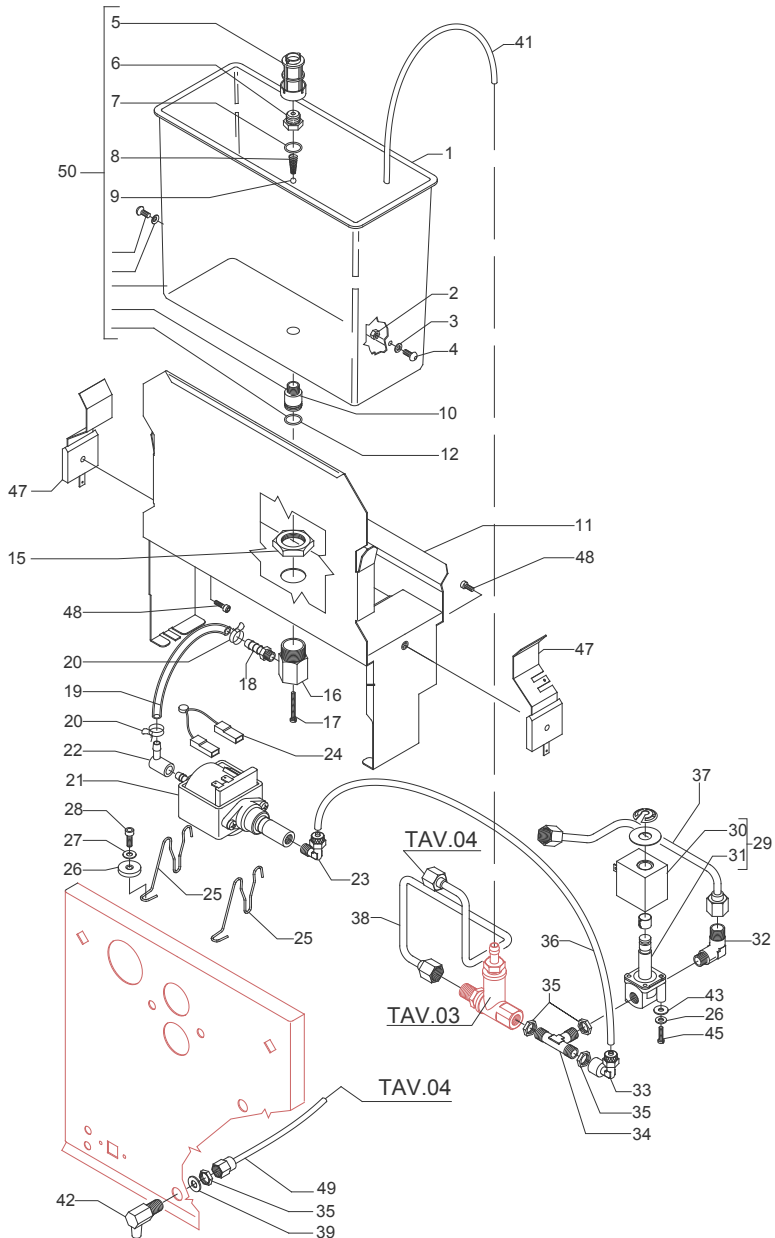
TABLE 1
Mod. S

	POS	CODE	DESCRIPTION
TABLE 1A Mod. R	1	5163184CM	RH CUP-HEATER PIPE
	2	5074620LW	CUPS-HEATER GRID
	3	7819912	SCREW M4X6
	5	5056330LW	CUPS-HEATER
	6	7816002	SCREW TCEI M4X12
	7	5073631DL	RIGHT LATERAL SIDE
	8	5340003.05LL	CHASSIS BLACK
	9	7474218	FEET M10 D40X46
	10	5340506LL	TRAY POLISHED
	11	5074617LW	DIP TRAY GRID
	12	5074443SG	GROUP FRONTAL
	12	5074462SG	GROUP FRONTAL 2 GAUGE
	13	7809804	PLAIN WASHER D4
	14	5073632DL	LEFT LATERAL SIDE
	15	5163185CM	LH CUP-HEATER PIPE
	16	5071720DL	REAR PANEL
	17	5163186CM	REAR CUP-HEATER EDGE PIPE
	18	5225230	FITTING 3/8"G
	19	5224403	RUBBER-HOLDER D11 OT
	20	7611502	CLAMP D14
	21	7303502	HOSE D14 L=1.5M PLASTIC
	22	5492022	GASKET D25 X 17 X 2
	23	7819911	SCREW TTEI M4X25
	24	7819901	SCREW TTEI M4X12

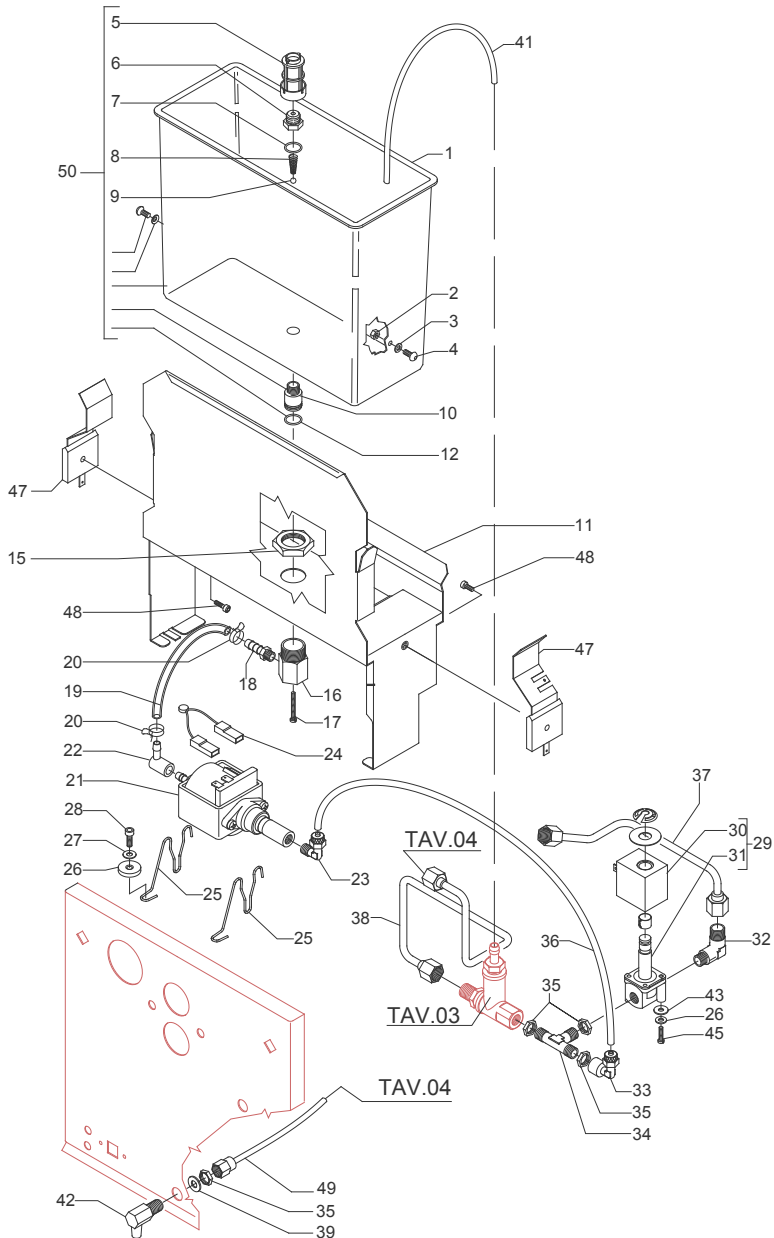
TABLE 1A
Mod. R



	POS	CODE	DESCRIPTION
TABLE 2 (up to 11.1.1.09) Mod. S	1	7373006.01	TANK
	2	7812601	NUT M4 STAINLESS STEEL
	3	7374004	WASHER D4 NYLON
	4	7819908	SCREW TTEI M4X8
	5	7374002	FILTER 1/4"G H43,5 PLASTIC
	6	5302065	REDUCTION GEAR 1/4"G X M10
	7	7496073	OR GASKET 115 EP856
	8	5471521.01	COUPLING SPRING
	9	5471509	BALL 7/32" AISI 304
	10	5224617	GASKET-HOLDER D14.5 X 25 OT
	11	5963009.03	ASSEMBLY TANK SUPPORT
	12	7496076	OR GASKET 112 EPDM 70SH
	15	5221830	NUT M20 H5 OT
	16	5225228	FITTING M20 H28.5 OT
	17	7826206	SCREW TCI M3X30 UNI 6107 OT
	18	5225246	FITTING 1/8"G CONIC ES.10 H33 OT
	19	5194529	CRISTAL HOSE D6 X 9 L=150MM
	20	7611512	CLAMP
	21	7731018	VIBRATION PUMP EX5 100V C/OR
	21	7731019	VIBRATION PUMP EX5 120V WITH OR
	21	7731022	VIBRATION PUMP EX5 220V 60HZ WITH OR
	21	7731020	VIBRATION PUMP EX5 230V WITH OR
	21	7731021	VIBRATION PUMP EX5 240V WITH OR
	22	7303006	RUBBER-HOLDER FITTING
	23	7304523	UNION ELBOW 1/8"x6/4"
	24	7634816	THERMIC SAFETY DEVICE 100°C AUTOMATIC
	25	5471534	SHAPED SPRING
	26	5493023	TAP GASKET EPT 70SH
	27	7805009	PLAIN WASHER D5 X 11 X 1
	28	7806002	SCREW TCEI M4 X 12 UNI 5931 8.8 ZN
	29	7701111	SOLENOID VALVE 2 WAY 115V PARKER
	29	7702310	SOLENOID VALVE 2 WAY 230V PARKER
	29	7702409	SOLENOID VALVE 2 WAY 240V PARKER
	30	7630327	SOLENOID VALVE COIL 110V PARKER
	30	7630328	SOLENOID VALVE COIL 220/230V PARKER
	30	7630329	SOLENOID VALVE COIL 240V PARKER
	32	5301504TR	UNION ELBOW 1/8"G X M12
	33	7303010	UNION ELBOW 1/8"x6/4"
	34	7304509TR	FITTING
	35	5221844	NUT 1/8"G H3
	36	5194519	HOSE PTFE D6x1 L=180
	37	5162237LL	BOILER LOAD HOSE
38	5162236LL	SURPRESSION VALVE - HEAT EXCHANGER HOSE	
39	7815001	WASHER D10 UNI 6592 A2	
41	5194542LL	DRAIN HOSE L=700MM SILICONE	
42	5283018CM	DRAIN FITTING FOR SURPRESSION VALVE 1/8"G CHROMED	

TABLE 2 (up to 11.11.09)
Mod. S

	POS	CODE	DESCRIPTION
TABLE 2 (up to 11.1.09) Mod. S	43	7809804	PLAIN WASHER D4
	45	7815603	SCREW TCC M3 X 12
	47	5471535	TANK SUPPORT SHAPED SPRING
	48	7809806	SCREW TC M 3,5X8 PLASTITE
	49	5194559LL	SURPRESSION VALVE HOSE
	50	5963070.01	ASSEMBLY TANK WITH FILTER

TABLE 2 (up to 11.11.09)
Mod. S

	POS	CODE	DESCRIPTION
TABLE 2 (from 12.1.1.09) Mod. S	1	7373006.01	TANK
	2	7812601	NUT M4 STAINLESS STEEL
	3	7374004	WASHER D4 NYLON
	4	7819908	SCREW TTEI M4X8
	5	5194540	HOSE 8X5 L=300 SILICONE
	6	5224409	RUBBER-HOLDER D7,5
	7	7496073	OR GASKET 115 EP856
	8	5471521.01	COUPLING SPRING
	9	5471509	BALL 7/32" AISI 304
	10	5224617	GASKET-HOLDER D14.5 X 25 OT
	11	5963009.03	TANK SUPPORT
	12	5194559LL	SURPRESSION VALVE HOSE
	13	5283018CM	DRAIN FITTING FOR SURPRESSION VALVE 1/8"G CHROMED
	14	7815001	WASHER D10 UNI 6592 A2
	15	5221830	NUT M20 H5 OT
	16	5225228	FITTING M20 H28.5 OT
	17	7826206	SCREW TCI M3X30 UNI 6107 OT
	18	5225246	FITTING 1/8"G CONIC ES.10 H33 OT
	19	5194529	CRISTAL HOSE D6 X 9 L=150MM
	20	7611512	CLAMP
	21	7731018	VIBRATION PUMP EX5 100V C/OR
	21	7731019	VIBRATION PUMP EX5 120V WITH OR
	21	7731022	VIBRATION PUMP EX5 220V 60HZ WITH OR
	21	7731020	VIBRATION PUMP EX5 230V WITH OR
	21	7731021	VIBRATION PUMP EX5 240V WITH OR
	22	7303006	RUBBER-HOLDER FITTING
	23	7303036TR	STRAIGHT FITTING 1/8"G OT
	24	7634816	THERMIC SAFETY DEVICE 100°C AUTOMATIC
	25	7470602	VIBRATION-DAMPING
	26	5492019	GASKET D8 X 2 ASBESTOS FREE
	27	7805009	PLAIN WASHER D5 X 11 X 1
	28	7816004	SCREW TCEI M4 X 16
	29	7701111	SOLENOID VALVE 2 WAY 115V PARKER
	29	7702310	SOLENOID VALVE 2 WAY 230V PARKER
	29	7702409	SOLENOID VALVE 2 WAY 240V PARKER
	30	7630327	SOLENOID VALVE COIL 110V PARKER
	30	7630328	SOLENOID VALVE COIL 220/230V PARKER
	30	7630329	SOLENOID VALVE COIL 240V PARKER
31	5223003	JET M6 X 6 HOLE D0,8 OT	
32	5301504TR	UNION ELBOW 1/8"G X M12	
33	7303034TR	UNION ELBOW 1/8"G OT	
34	7304001TR	UNION 1/8"G	
35	5221844	NUT 1/8"G H3	
36	5194590	PUMP-SOLENOID VALVE HOSE	
37	5162237.01LL	BOILER LOAD HOSE	
38	5162236.01LL	SURPRESSION VALVE - HEAT EXCHANGER HOSE	

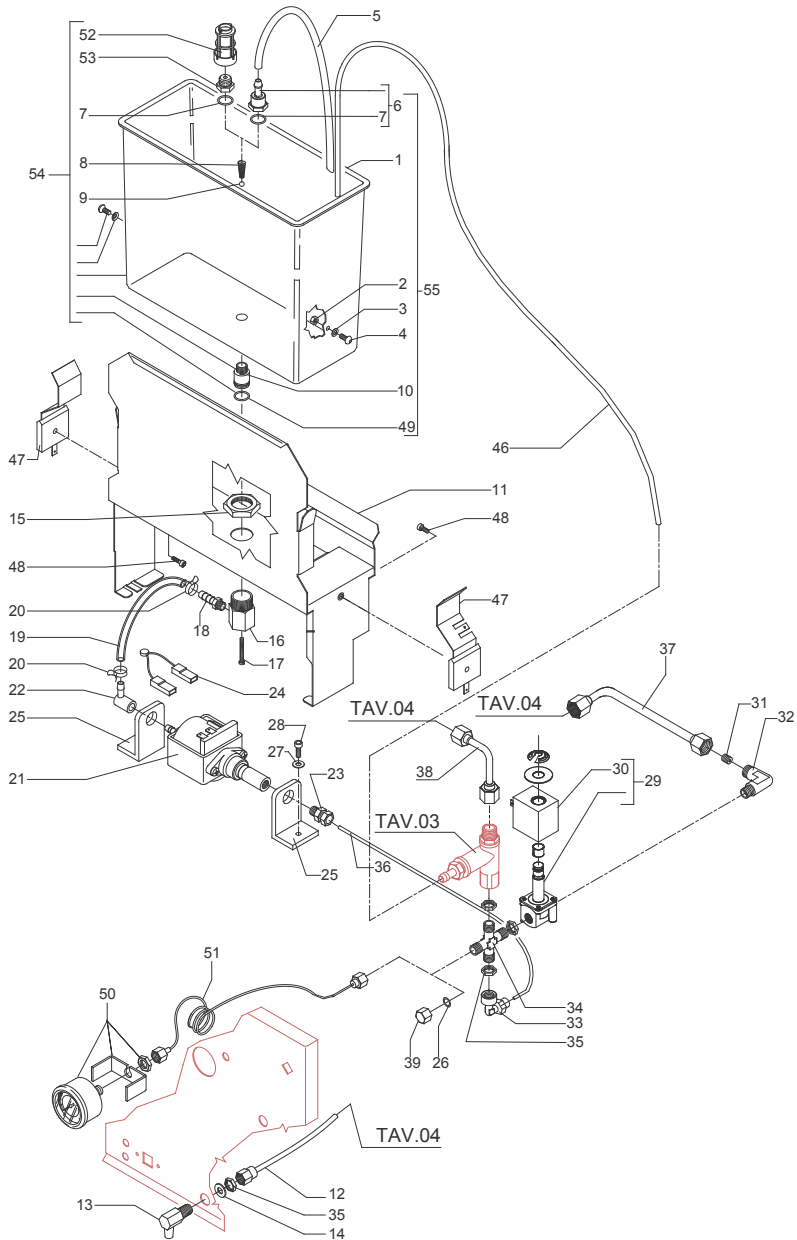
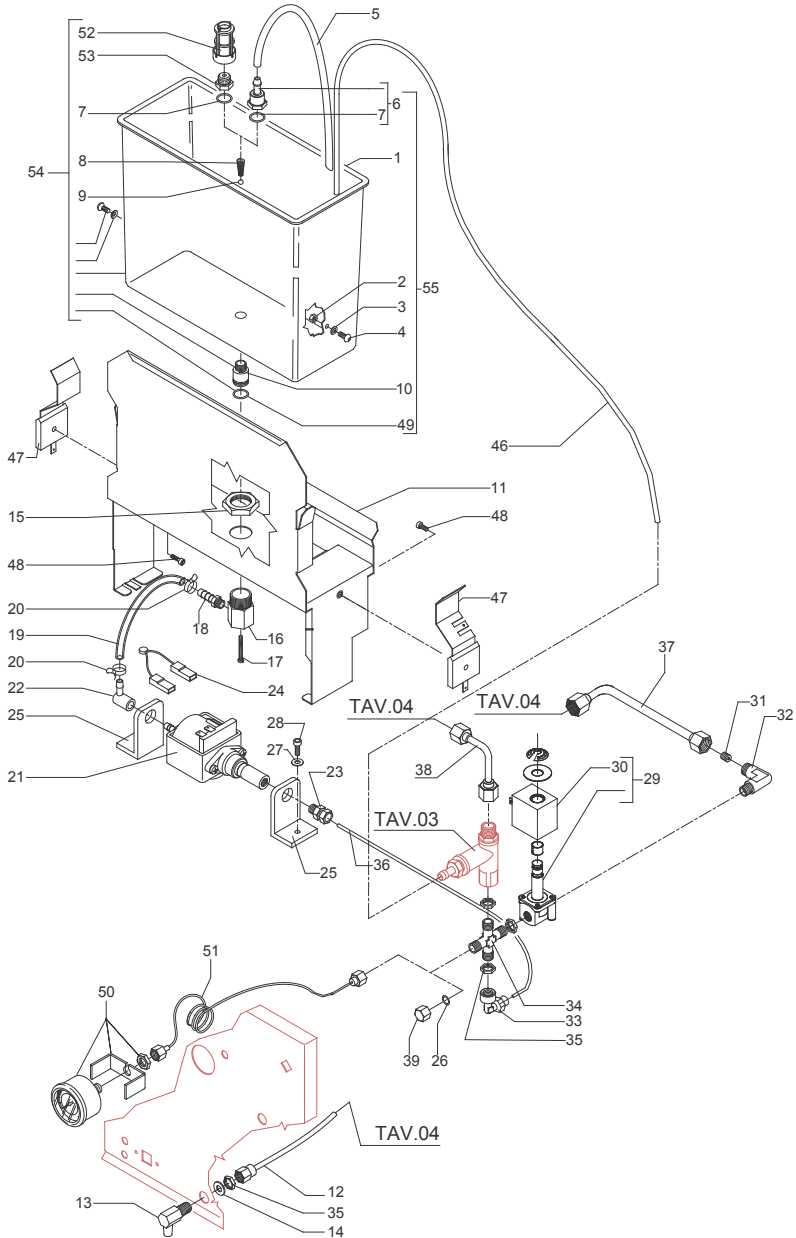
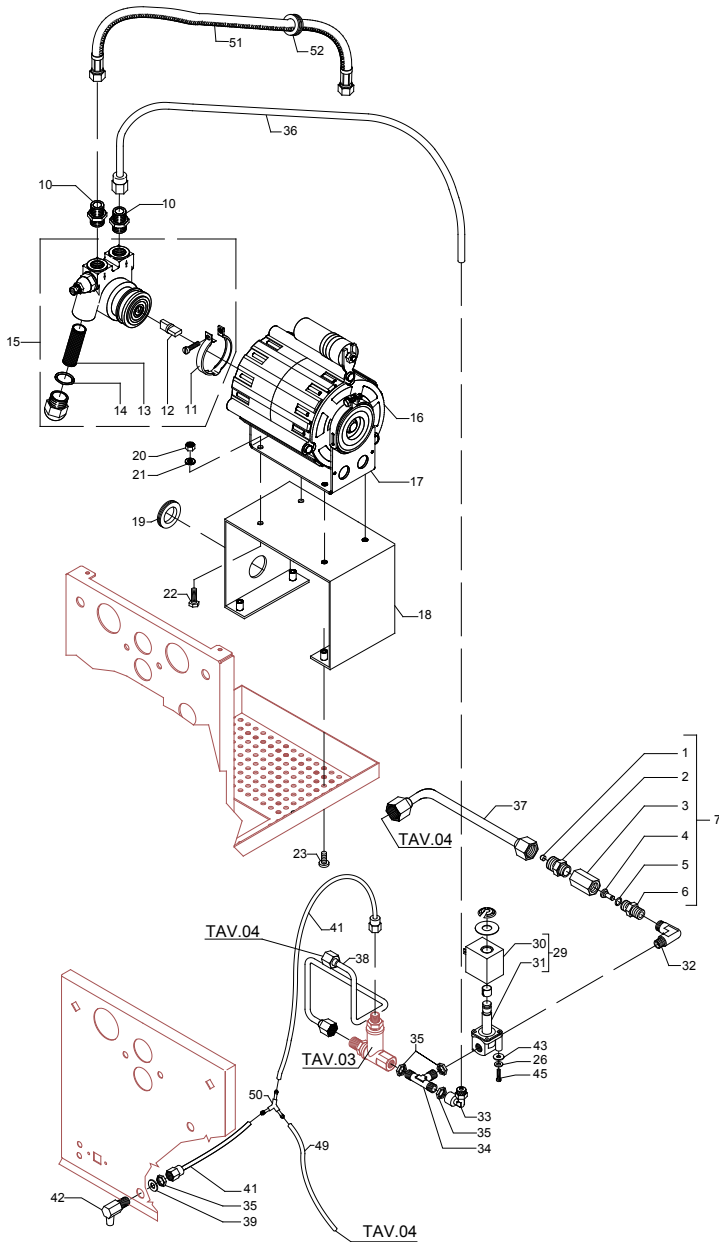
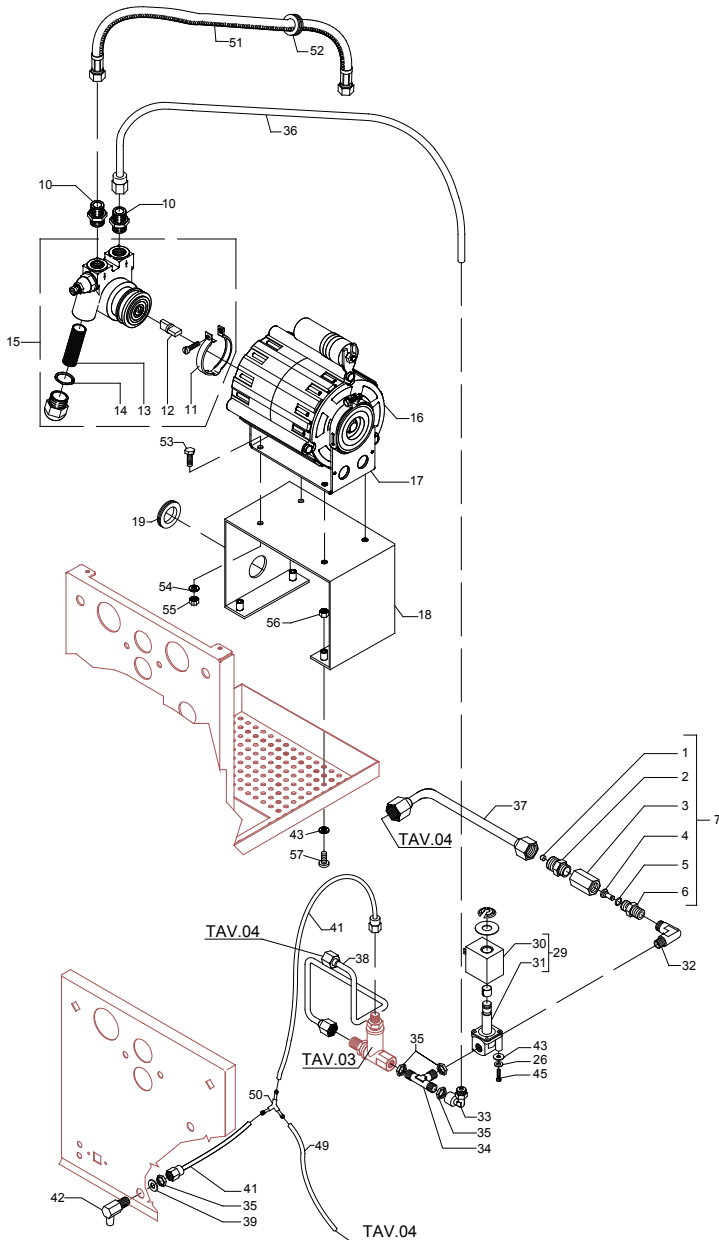
TABLE 2 (from 12.11.09)
Mod. S

TABLE 2 (from 12.11.09)
Mod. S

	POS	CODE	DESCRIPTION
TABLE 2A (up to 01.04.08) Mod. R	1	5223003	JET M6 X 6 HOLE D0.8 OT
	2	5225233	FITTING M12 ES.14 H22 HOLE M6 OT
	3	5302015	STRAIGHT FITTING 1/8"G OT
	4	5224002	STUD D8.5 X 17.5 OT
	5	7496035	OR GASKET D4.2 X 1.9 VITON
	6	7304502LLTR	STRAIGHT FITTING 1/8"G WITH COUNTERSINK
	7	5965020	ASSEMBLY COMPLETE CHECK VALVE
	10	5302032	STRAIGHT FITTING 1/8"G X 3/8"NPT ES.22 H27 OT
	11	7611508	PUMP CLAMP
	12	7472401	PUMP JOINT
	13	7374005	PUMP FILTER
	14	7496048	OR GASKET FOR PUMP FILTER PROCON
	15	7730506	PUMP 100 L/H PA104X 1-2GR
	16	7741102	ELECTRIC MOTOR 110V 18MF
	16	7742206	ELECTRIC MOTOR 220/240V 10MF
	17	7479976	BRACKET MOTOR
	18	5038420LL	MOTOR SUPPORT
	19	7613001	FAIRLEAD P36 RUBBER
	20	7821403	NUT M6 UNI 5587 OT
	21	7805004	PLAIN WASHER D6 UNI 6592 FEZN
	22	7816417	SCREW TE M6X16 UNI 5739 A2
	23	7816002	SCREW TCEI M4X12
	26	5493023	TAP GASKET EPT 70SH
	29	7701111	SOLENOID VALVE 2 WAY 115V PARKER
	29	7702310	SOLENOID VALVE 2 WAY 230V PARKER
	29	7702409	SOLENOID VALVE 2 WAY 240V PARKER
	30	7630327	SOLENOID VALVE COIL 110V PARKER
	30	7630328	SOLENOID VALVE COIL 220/230V PARKER
	30	7630329	SOLENOID VALVE COIL 240V PARKER
	32	7304507TR	UNION ELBOW 1/8"G MF OT
	33	7303010	UNION ELBOW 1/8"x6/4"
	34	7304509TR	FITTING
	35	5221844	NUT 1/8"G H3
	36	5194574LL	HOSE D6 PTFE
	37	5162299LL	BOILER LOAD HOSE
	38	5162236LL	SURPRESSION VALVE - HEAT EXCHANGER HOSE
	39	7815001	WASHER D10 UNI 6592 A2
	41	5194566LL	SURPRESSION VALVE HOSE
	42	5283018CM	DRAIN FITTING FOR SURPRESSION VALVE 1/8"G CHROMED
	43	7809804	PLAIN WASHER D4
	45	7815603	SCREW TCC M3X12
	49	5194571	HOSE D6X4X1 L=200 SILICONE
	50	7303033	FITTING "Y"
	51	7200514	FLEXIBLE HOSE 3/8"X1/8" l=1500MM
	52	7613004	FAIRLEAD

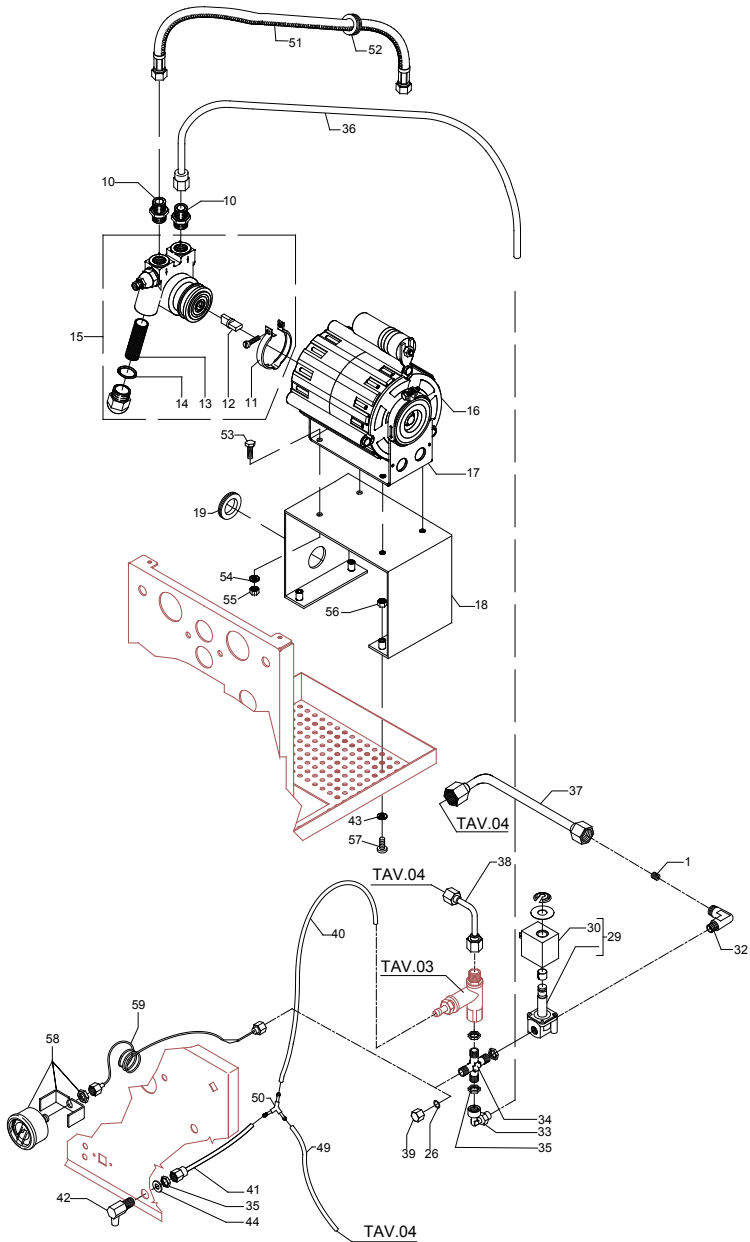
TABLE 2A (up to 01.04.08)
Mod. R

	POS	CODE	DESCRIPTION
TABLE 2A (up to 11.1.09) Mod. R	1	5223003	JET M6 X 6 HOLE D0.8 OT
	2	5225233	FITTING M12 ES.14 H22 HOLE M6 OT
	3	5302015	STRAIGHT FITTING 1/8"G OT
	4	5224002	STUD D8.5 X 17.5 OT
	5	7496035	OR GASKET D4.2 X 1.9 VITON
	6	7304502LLTR	STRAIGHT FITTING 1/8"G WITH COUNTERSINK
	7	5965020	ASSEMBLY COMPLETE CHECK VALVE
	10	5302032	STRAIGHT FITTING 1/8"G X 3/8"NPT ES.22 H27 OT
	11	7611508	PUMP CLAMP
	12	7472401	PUMP JOINT
	13	7374005	PUMP FILTER
	14	7496048	OR GASKET FOR PUMP FILTER PROCON
	15	7730506	PUMP 100 L/H PA104X 1-2GR
	16	7741102	ELECTRIC MOTOR 110V 18MF
	16	7742206	ELECTRIC MOTOR 220/240V 10MF
	17	7479976	BRACKET MOTOR
	18	5038420LL	MOTOR SUPPORT
	19	7613001	FAIRLEAD P36 RUBBER
	26	5493023	TAP GASKET EPT 70SH
	29	7701111	SOLENOID VALVE 2 WAY 115V PARKER
	29	7702310	SOLENOID VALVE 2 WAY 230V PARKER
	29	7702409	SOLENOID VALVE 2 WAY 240V PARKER
	30	7630327	SOLENOID VALVE COIL 110V PARKER
	30	7630328	SOLENOID VALVE COIL 220/230V PARKER
	30	7630329	SOLENOID VALVE COIL 240V PARKER
	32	7304507TR	UNION ELBOW 1/8"G MF OT
	33	7303010	UNION ELBOW 1/8"x6/4"
	34	7304509TR	FITTING
	35	5221844	NUT 1/8"G H3
	36	5194574LL	HOSE D6 PTFE
	37	5162299LL	BOILER LOAD HOSE
	38	5162236LL	SURPRESSION VALVE - HEAT EXCHANGER HOSE
	39	7815001	WASHER D10 UNI 6592 A2
	41	5194566LL	SURPRESSION VALVE HOSE
	42	5283018CM	DRAIN FITTING FOR SURPRESSION VALVE 1/8"G CHROMED
	43	7809804	PLAIN WASHER D4
	45	7815603	SCREW TCC M3X12
	49	5194571	HOSE D6X4X1 L=200 SILICONE
	50	7303033	FITTING "Y"
	51	7200514	FLEXIBLE HOSE 3/8"X1/8" I=1500MM
	52	7613004	FAIRLEAD
	53	7816422	SCREW TE M6X14 UNI 5739 OT
	54	7804002	FAN WASHER D6 DIN 6798A
	55	7802403	NUT M6 UNI 7473
	56	7802402	NUT M4 UNI 7473
	57	7816005	SCREW TCEI M4X20

TABLE 2A (up to 11.11.09)
Mod. R

	POS	CODE	DESCRIPTION	
TABLE 2A (up to 01.03.13) Mod. R	1	5223003	JET M6 X 6 HOLE D0.8 OT	
	10	5302032	STRAIGHT FITTING 1/8"G X 3/8"NPT ES.22 H27 OT	
	11	7611508	PUMP CLAMP	
	12	7472401	PUMP JOINT	
	13	7374005	PUMP FILTER	
	14	7496048	OR GASKET FOR PUMP FILTER PROCON	
	15	7730506	PUMP 100 L/H PA104X 1-2GR	
	16	7741102	ELECTRIC MOTOR 110V 18MF	
	16	7742206	ELECTRIC MOTOR 220/240V 10MF	
	17	7479976	BRACKET MOTOR	
	18	5038420LL	MOTOR SUPPORT	
	19	7613001	FAIRLEAD P36 RUBBER	
	26	5492019	GASKET D8 X 2 ASBESTOS FREE	
	29	7701111	SOLENOID VALVE 2 WAY 115V PARKER	
	29	7702310	SOLENOID VALVE 2 WAY 230V PARKER	
	29	7702409	SOLENOID VALVE 2 WAY 240V PARKER	
	30	7630327	SOLENOID VALVE COIL 110V PARKER	
	30	7630328	SOLENOID VALVE COIL 220/230V PARKER	
	30	7630329	SOLENOID VALVE COIL 240V PARKER	
	32	5301504TR	UNION ELBOW 1/8"G X M12	
	33	7303034TR	UNION ELBOW 1/8"G OT	
	34	7304001TR	UNION 1/8"G	
	35	5221844	NUT 1/8"G H3	
	36	5194574.01LL	PUMP-SOLENOID VALVE HOSE	
	37	5162237.01LL	BOILER LOAD HOSE	
	38	5162236.01LL	SURPRESSION VALVE - HEAT EXCHANGER HOSE	
	39	5221835	CAP NUT 1/8"G ES.14 H12 OT	
	40	5194566LL	SURPRESSION VALVE HOSE	
	41	5194559LL	SURPRESSION VALVE HOSE	
	42	5283018CM	DRAIN FITTING FOR SURPRESSION VALVE 1/8"G CHROMED	
	43	7809804	PLAIN WASHER D4	
	44	7815001	WASHER D10 UNI 6592 A2	
	49	5194571	HOSE D6X4X1 L=200 SILICONE	
	50	7303033	FITTING "Y"	
	51	7200514	FLEXIBLE HOSE 3/8"X1/8" l=1500MM	
	52	7613004	FAIRLEAD	
	53	7816422	SCREW TE M6X14 UNI 5739 OT	
	54	7804002	FAN WASHER D6 DIN 6798A	
	55	7802403	NUT M6 UNI 7473	
	56	7802402	NUT M4 UNI 7473	
	57	7816005	SCREW TCEI M4X20	
	58	7432523	PRESSURE GAUGE D40 16BAR	
	59	7400902	PUMP PRESSURE GAUGE CAPILLARY	

TABLE 2A (up to 01.03.13)
Mod. R



POS	CODE	DESCRIPTION
1	5223003	JET M6 X 6 HOLE D0.8 OT
2	5221844	NUT 1/8"G H3
3	7815001	WASHER D10 UNI 6592 A2
4	5283018CM	DRAIN FITTING FOR SURPRESSION VALVE 1/8"G CHROMED
5	5302023	STRAIGHT FITTING 1/8"G X 3/8"G
6	7611508	PUMP CLAMP
7	7730509	PUMP 50-70L/H+ CLAMP+JOINT
8	7741005	ELECTRIC MOTOR 110V
8	7742404	ELECTRIC MOTOR 220/240V 50/60HZ
9	7816027	SCREW TCEI M5X8
10	7814002	NOTCHED WASHER D5 DIN 6798A A2
11	5037837.01LL	PUMP SQUARE
12	7474219	FEET
13	7470604	VIBRATION-DAMPING
14	7809804	PLAIN WASHER D4
15	7822603	NUT M4
16	5301504TR	UNION ELBOW 1/8"G X M12
17	7630327	SOLENOID VALVE COIL 110V PARKER
17	7630328	SOLENOID VALVE COIL 220/230V PARKER
17	7630329	SOLENOID VALVE COIL 240V PARKER
18	7701111	SOLENOID VALVE 2 WAY 115V PARKER
18	7702310	SOLENOID VALVE 2 WAY 230V PARKER
18	7702409	SOLENOID VALVE 2 WAY 240V PARKER
19	7303034TR	UNION ELBOW 1/8"G OT
20	7304001TR	UNION 1/8"G
21	5194559LL	SURPRESSION VALVE HOSE
22	7432523	PRESSURE GAUGE D40 16BAR
23	7400902	PUMP PRESSURE GAUGE CAPILLARY
24	5194574.01LL	PUMP-SOLENOID VALVE HOSE
25	5162236.01LL	SURPRESSION VALVE - HEAT EXCHANGER HOSE
26	5162237.01LL	BOILER LOAD HOSE
27	7200514	FLEXIBLE HOSE 3/8"X1/8" I=1500MM
28	5194571	HOSE D6X4X1 L=200 SILICONE
29	7303033	FITTING "Y"
30	5194566LL	SURPRESSION VALVE HOSE
31	7613004	FAIRLEAD
32	5037842LL	BRACKET (only 110V versions)

TABLE 2A (from 02.03.13)
Mod. R

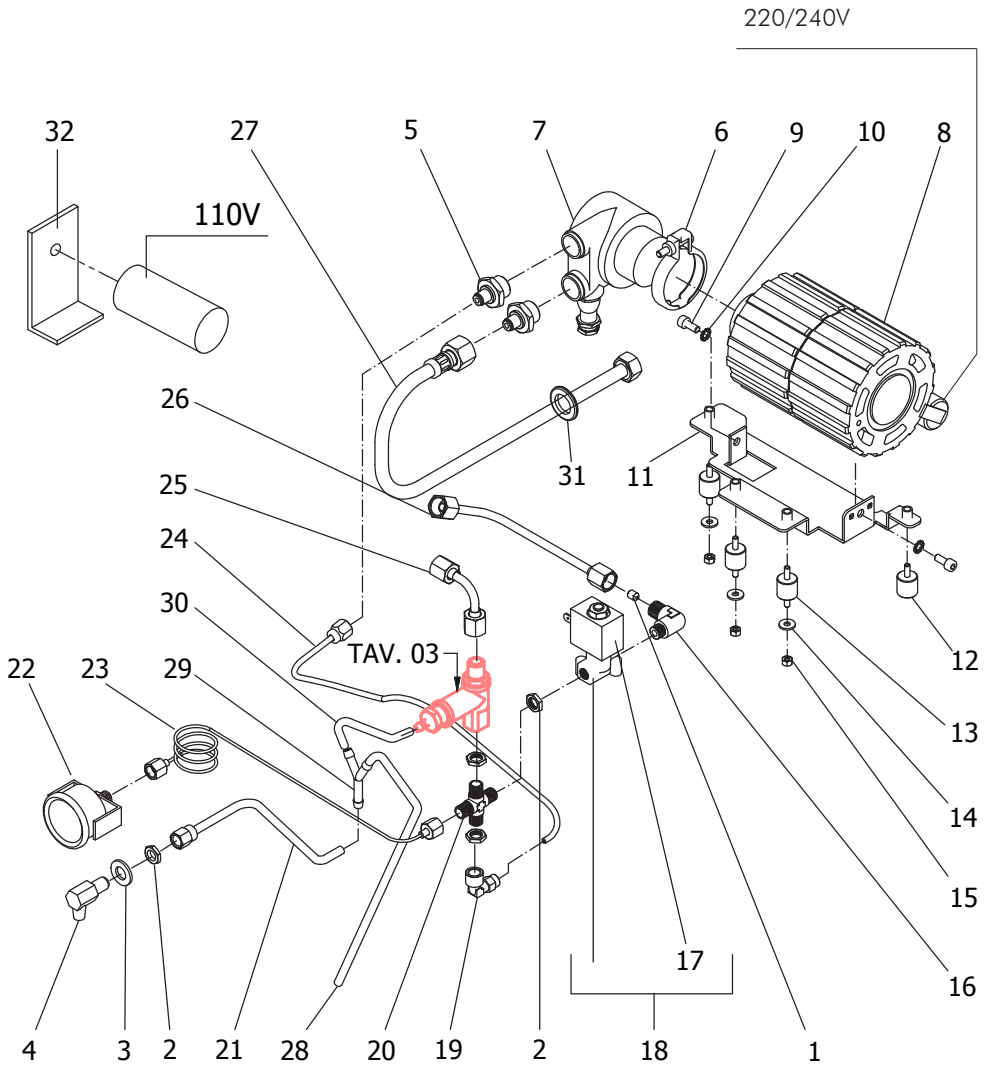


TABLE 3 (up to 11.11.09)

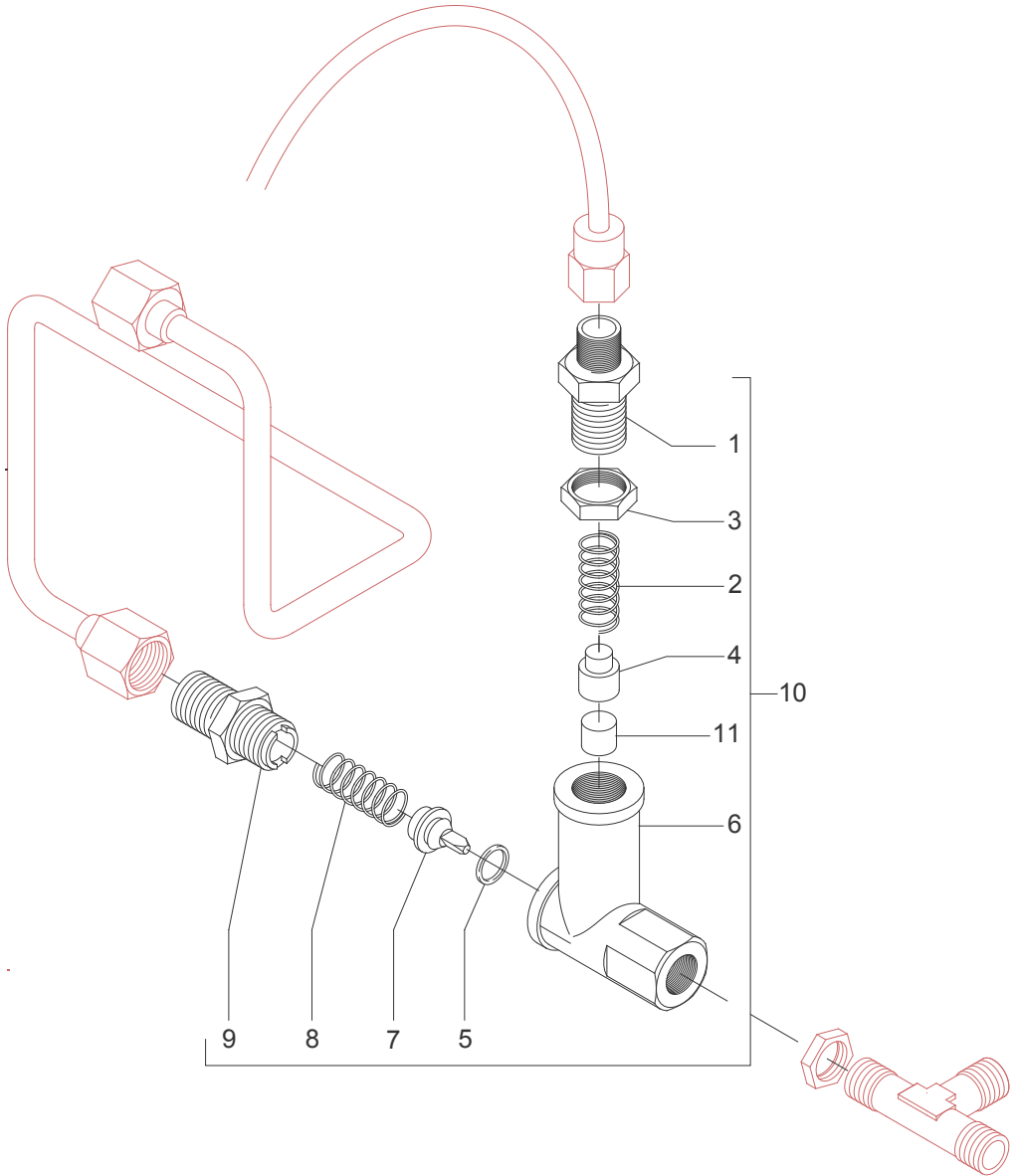


TABLE 3 (up to 30.10.12)

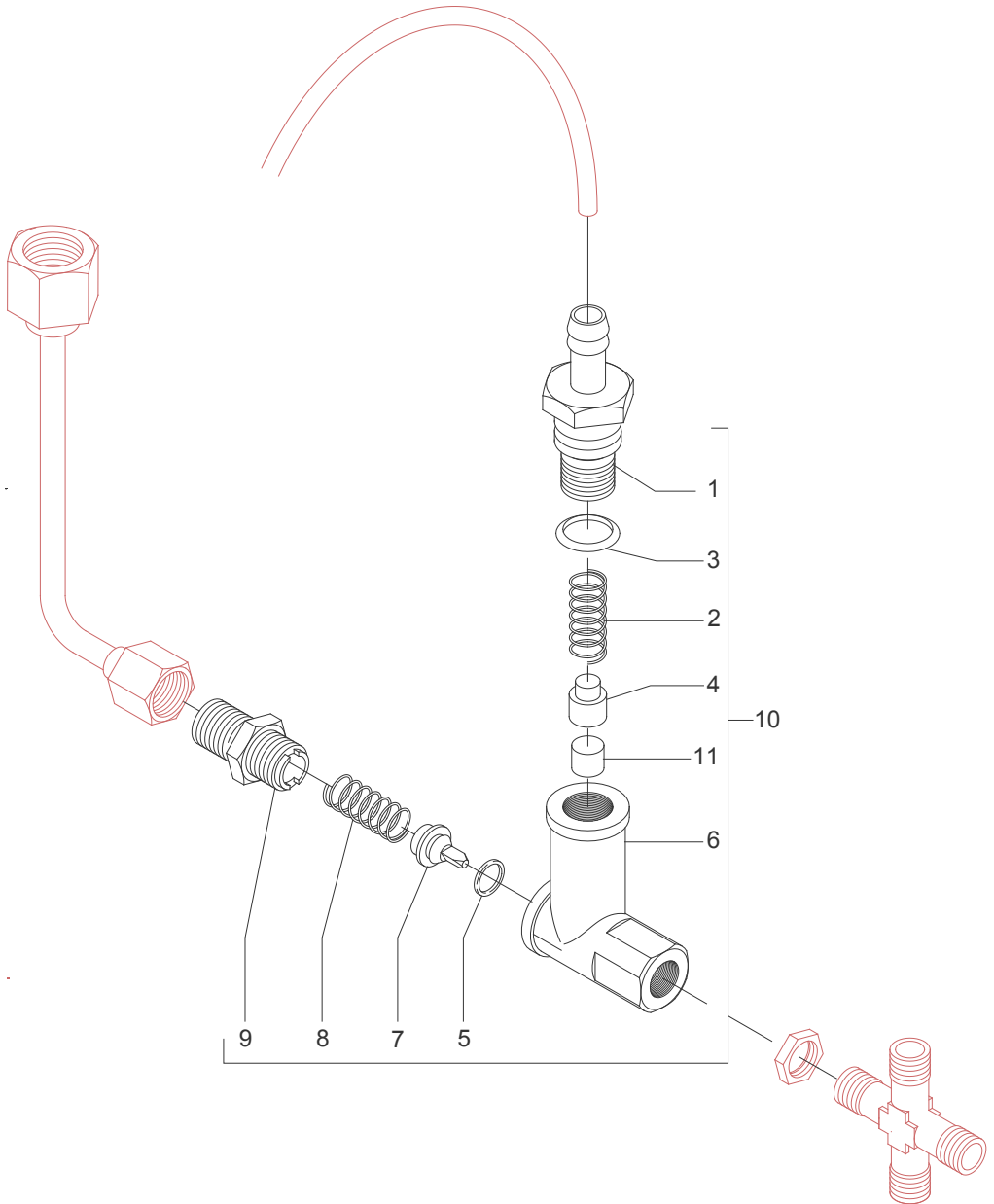
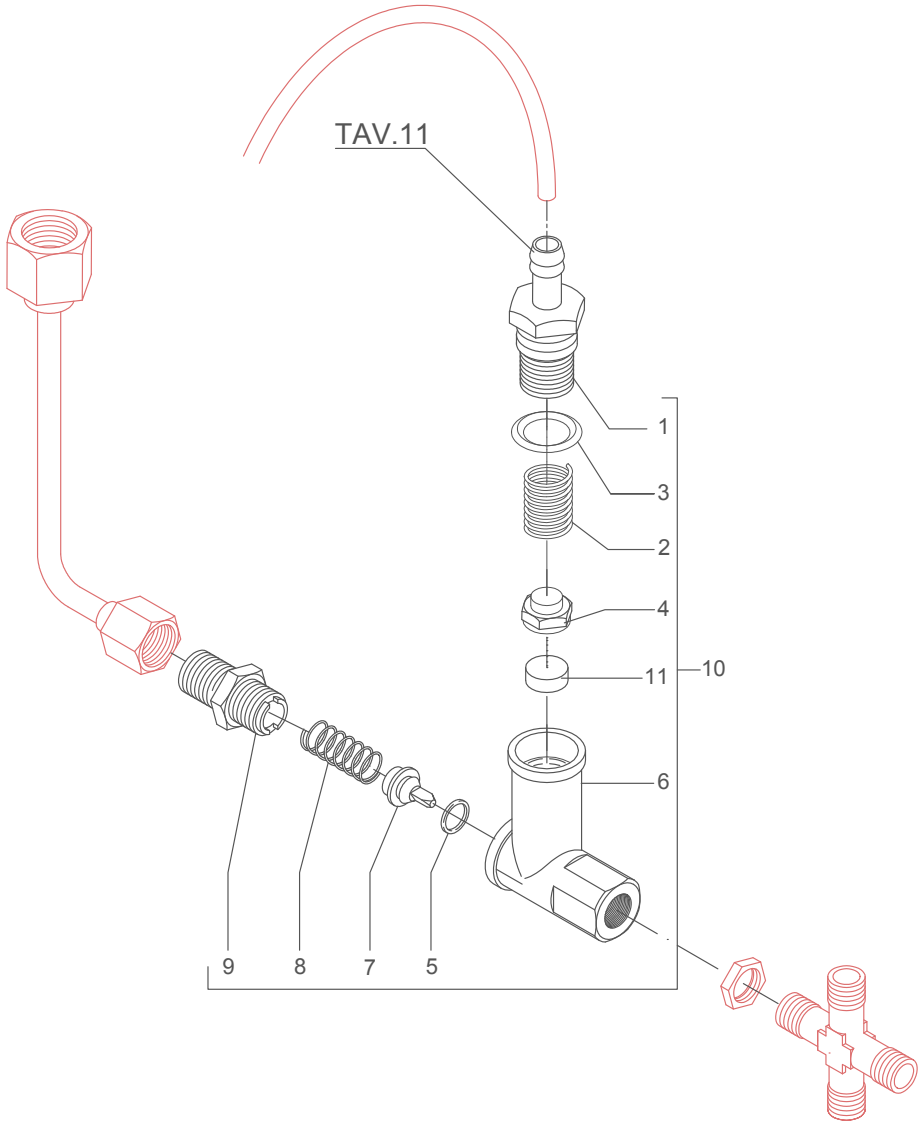
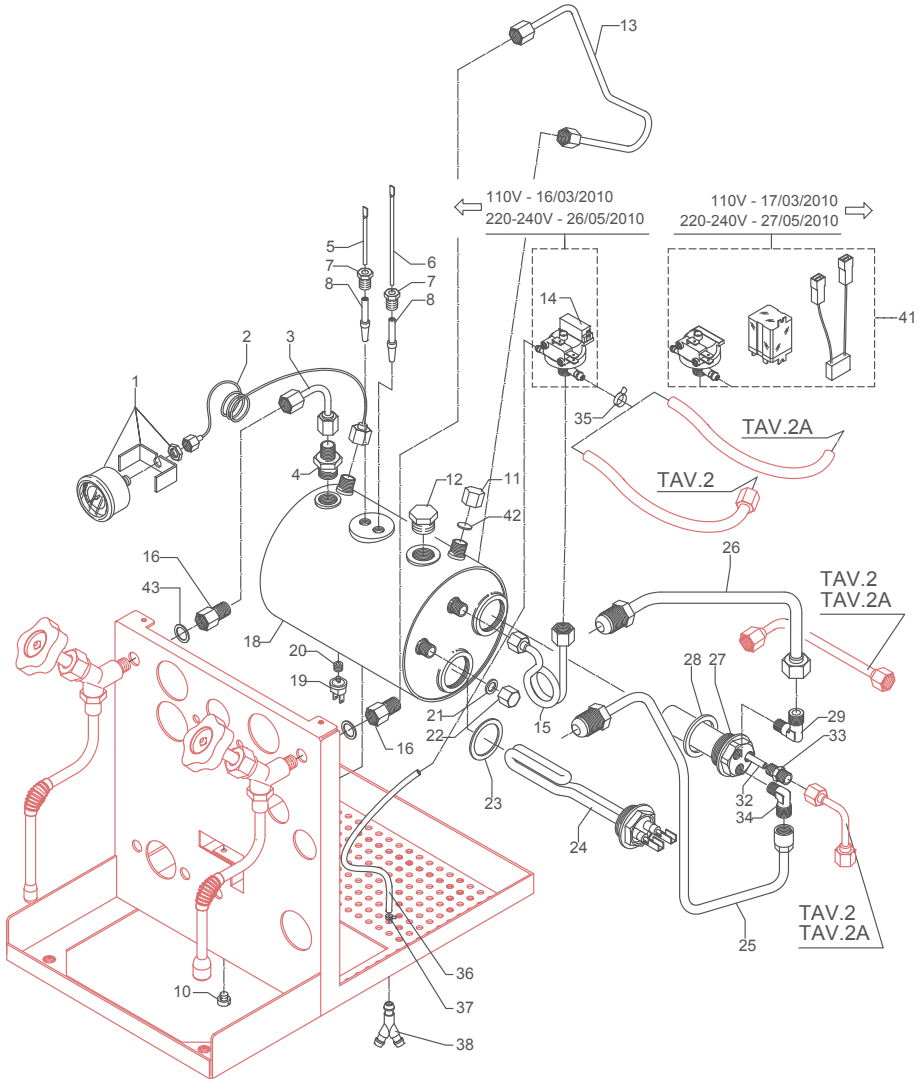


TABLE 3 (from 31.10.12)



	POS	CODE	DESCRIPTION
TABLE 4	1	7432522	PRESSURE GAUGE D40 3BAR
	2	7400903	PRESSURE GAUGE CAPILLARY
	3	5162234LL	STEAM TAP HOSE
	4	5302005	STRAIGHT FITTING 3/8"G X M13
	5	5265819	LEVEL PROBE D3 X 80 X 6.3
	6	5265812	MINIMUM LEVEL PROBE D3 X 110 X 4.8
	7	5225205	STRAIGHT FITTING M10 OT
	8	5192001	PROBE SHEATH D8 X 45 HOLE D3 PTFE
	10	5227002	SCREW M8 X 6 OT
	11	5221840	CAP NUT M13X1
	12	5226406	PLUG 1/2"G H18 OT
	13	5162233LL	WATER TAP HOSE
	14	7433016R1	PRESSOSTAT+RELAY KIT 110V (up to 16.03.10)
	14	7433017R1	PRESSOSTAT+RELAY KIT 230V (up to 26.05.10)
	14	7433019R1	PRESSOSTAT+RELAY KIT 240V (up to 26.05.10)
	15	5162288LL	PRESSOSTAT HOSE
	16	5302064	FITTING M/F M13x1
	18	5320501.02TP	ASSEMBLY BOILER POLISHED
	19	7434009	THERMOSTAT MANUAL 16A 135°C
	20	5227007	DOWEL M8 X 6 HOLE M4
	21	5492008	GASKET D10.5 X 2
	22	5221813	CAP NUT M12
	23	5492025	GASKET D42x32x2 PTFE
	24	5721127TP	HEATING ELEMENT 1350 110V
	24	5722240TP	HEATING ELEMENT COPPER 220/240V - 1250/1450W
	25	5163204LL	BOTTOM HEATING HOSE
	26	5164067.01LL	UPPER HEATING HOSE
	27	5329012TP	EXCHANGER 3 HOLES
	28	5495007	GASKET D32 X 3 BRASS
	29	5301521TR	UNION ELBOW 1/8"X3/8"
	32	5192301	SUCTION HOSE D6 L=130MM PTFE
	33	5302006TP	STRAIGHT FITTING 1/8"G X M12
	34	5301520TR	UNION ELBOW 1/8"G
	35	7611512	CLAMP
	36	5194549	HOSE D8X5 L=350 SILICONE
	37	7611504	CLAMP
	38	7303033	FITTING "Y"
	41	7433020	PRESSOSTAT COMPOUND 110V (from 17.03.10)
	41	7433021	PRESSOSTAT COMPOUND 230V (from 27.05.10)
	41	7433022	PRESSOSTAT COMPOUND 240V (from 27.05.10)
	42	5492020	GASKET D11.5 X 2
	43	5221869	WASHER D14 X 20 X 1.5 COPPER

TABLE 4



	POS	CODE	DESCRIPTION
TABLE 5	1	5283038TW	TAP BODY 3/8" G X M13 OT
	2	5493001	GASKET D8 X 4 EPT 70SH
	3	7496001	OR GASKET D7.6 X 2.62 VITON
	4	5960502.02CM	ROD ASSY
	5	5221868CM	NUT 3/8" G H12.5 OT CHROMED
	6	5964025	ASSEMBLY TAP
	7	7496072	OR GASKET 121
	8	5471532	SPRING
	9	5190501	COMPLETE CUP
	10	5966547.01	ASSEMBLY COMPLETE STEAM HOSE
	11	5966546.01	ASSEMBLY COMPLETE WATER HOSE
	12	7371509	TAP KNOB
	13	7826410CM	SCREW TEB M5X10
	14	5522055	STEAM PLATE - ITALIAN
	15	5522056	WATER PLATE - ITALIAN
	16	7479952	UPPER ASSY PLUG
	17	7479953	GASKET TF 22X17X2
	18	7479954	INOX FILTER Ø8,5X22
	19	7479955	INJECTOR M6X0,75 FORO Ø0,7
	20	7479956	UPPER SLEEVE ASSY
	21	7479933	INJECTOR Ø0.7 UPPER SLEEVE ASSY
	22	7479934	GASKET OR 128 VITON
	23	7479935	GASKET TF Ø35X30X2
	24	7479936	DELIVERY VALVE SPRING
	25	7479937	DELIVERY VALVE ASSY
	26	7479940	DELIVERY GROUP BODY
	27	7493011	INSULATING
	28	5267013	TIE ROD M8 X 31 ASTM A193
	29	7812607	NUT M8 UNI 5587 ASTM A194
	30	7479938	GASKET TF Ø10X6X1
	31	7479939	SCREW TCE M6X8
	32	7479951	CAM STOP PIN
	33	7479950	CAM SHAFT
	34	7479949	CAM FLANGE ASSY
	35	7371511.01	LEVER KNOB
	36	7479931	DELIVERY LEVER
	37	7479947	WASHER Ø8
	38	7479948	CAP Ø15XM6
	39	7479946	ASSEMBLY VALVE
	40	7479942	SPRING GUIDE BUSHING
	41	7479957	LOWER SLEEVE ASSY
	42	7479943	ASSEMBLY RELIEF VALVE
	43	7479944	DRAIN SPRING
	44	7479945	JET-BREAKER BUSHING Ø15X6
	45	7479960	GASKET TF D26x21x2
	46	7479961	GROUP BOTTOM FITTING

TABLE 5

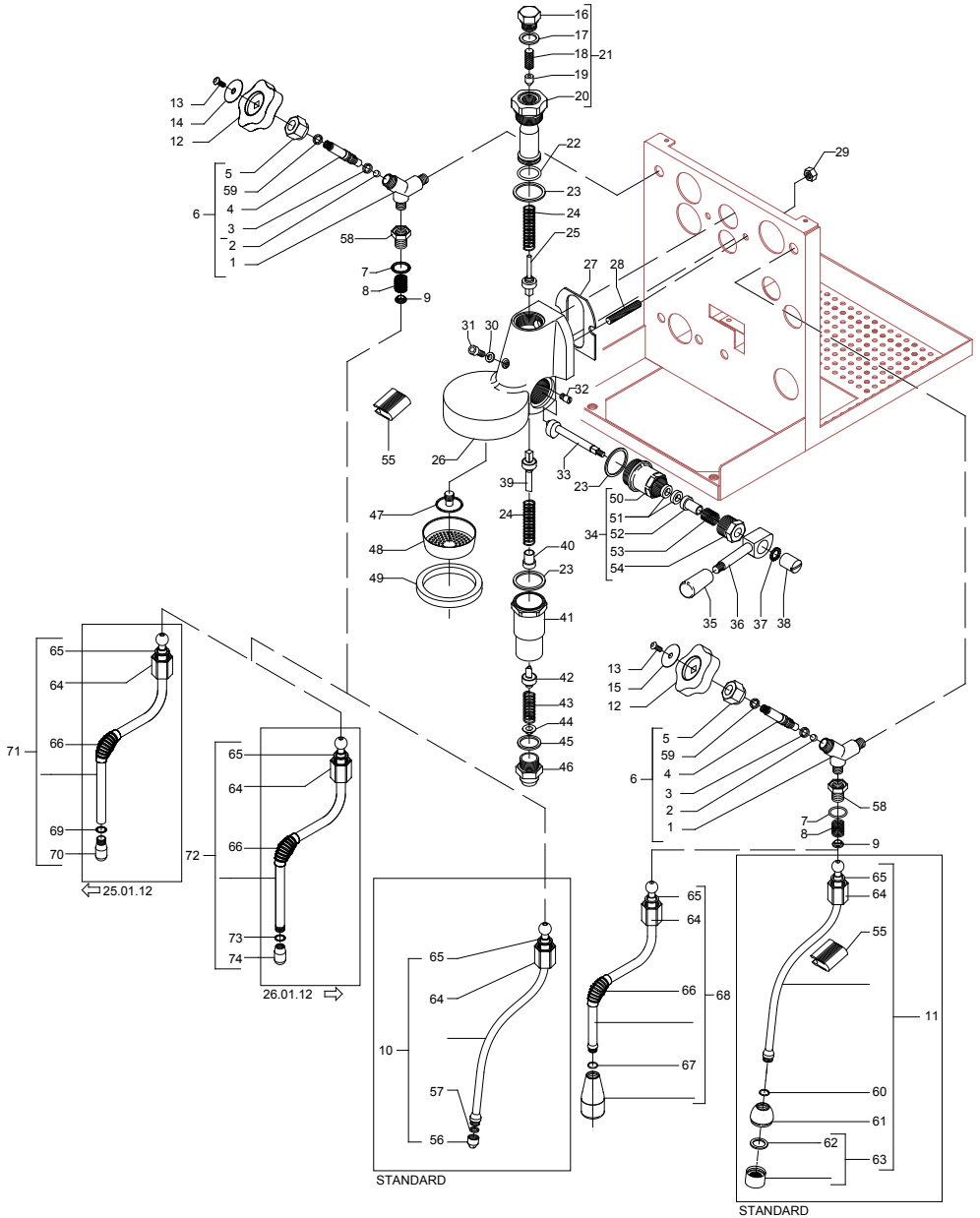


TABLE 5

POS	CODE	DESCRIPTION
47	7479941	SPRAYER Ø30
48	5471022	SHOWER FILTER
49	5493039	UNDERCUP GASKET
50	7479967	CAM FLANGE
51	7479968	WASHER EP709 15,5X7,5X4
52	7479969	BUSHING
53	7479970	SPRING
54	7479971	PLUG CHROMED
55	7371001	INSULATING
56	5226602	STEAM HOSE TERMINAL CHROMED
57	5494001	GASKET D8.5 X 5 X 3.2 PTFE
58	5225407TW	REDUCTION GEAR M13X3/8"G H=14 OT
59	5222216	SPACER
60	7496003	OR GASKET 108 VITON
61	5226610TW	WATER HOSE TERMINAL D23.5X18 OT CHROMED
62	5493003	GASKET Ø20.5 X 15 NBR
63	5226601TW	WATER HOSE TERMINAL M22 CHROMED
64	5221870TW	NUT H27
65	7496073	OR GASKET 115 EP856
66	7371003	INSULATING
67	7496084	GASKET
68	7479986	ASSEMBLY COMPLETE WATER HOSE
69	7496083	OR GASKET D4,5X1,5 NBR70
70	7305013	TERMINAL 2 HOLES
71	7479919	ASSEMBLY COMPLETE STEAM HOSE
72	7479981	ASSEMBLY STEAM HOSE TERMINAL 2 HOLES
73	7496084	GASKET
74	7305014	TERMINAL 2 HOLES

TABLE 5

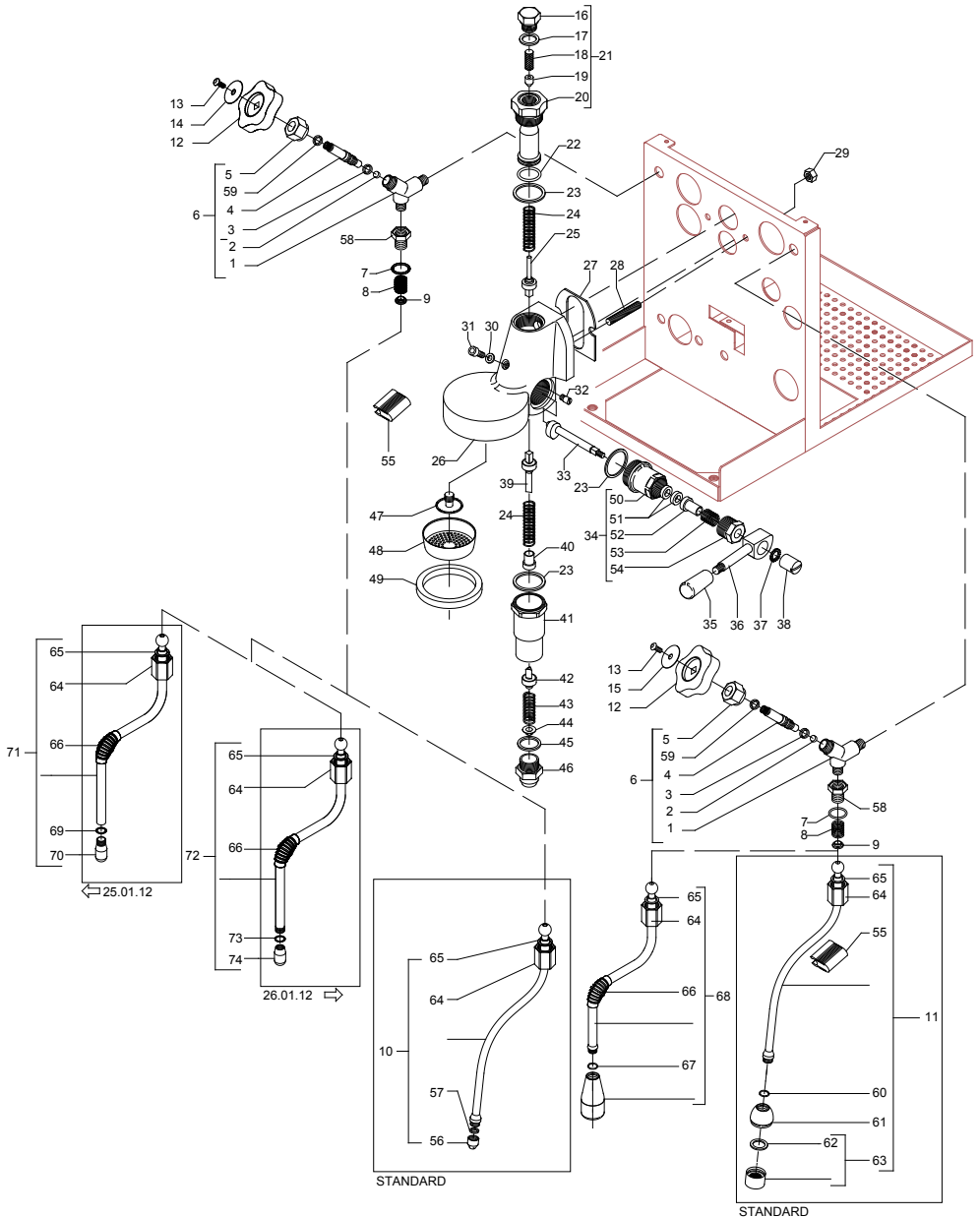


TABLE 6

POS	CODE	DESCRIPTION
1	7661033.01	LEVEL REGULATOR 3 PROBES 110/120V
1	7661034.01	LEVEL REGULATOR 3 PROBES 220/230V
1	7661035.01	LEVEL REGULATOR 3 PROBES 240V
2	7818007	TAPPING SCREW TB D3.5X13 UNI 6954 A2
3	7819404	TAPPING SCREW TPS D4.8X16 UNI 6955 A2
4	7371513	BLACK KNOB D40
5	5035709.01LL	ELECTRIC PARTS SUPPORT PLATE
6	7814001	WASHER Ø 4
7	7819908	SCREW TTEI M4X8
8	7551001	CABLE WITH USA PLUG 125V 15A
8	7551003	CABLE WITH USA PLUG 250V 20A
8	7555001	CABLE WITH SCHUKO PLUG
8	7554001	CABLE WITH ENGLISH PLUG
8	7552001	CABLE WITH AUSTRALIAN PLUG
8	7555003	CABLE WITH SWITZERLAND PLUG
9	7614006	NUT PG13,5
10	7614007	CABLE-PRESS PG13,5
11	7612504	CLAMP 2 CONTACTS
12	7633906	MICROSWITCH 250V
13	5221875CM	NUT M10X0,75
14	7633330	SWITCH
15	5859919	THICKNESS
16	7633602.01	GREEN LAMP 110/240V
17	7633604.01	ORANGE LAMP 110/240V
18	5037001	THICKNESS

TABLE 6

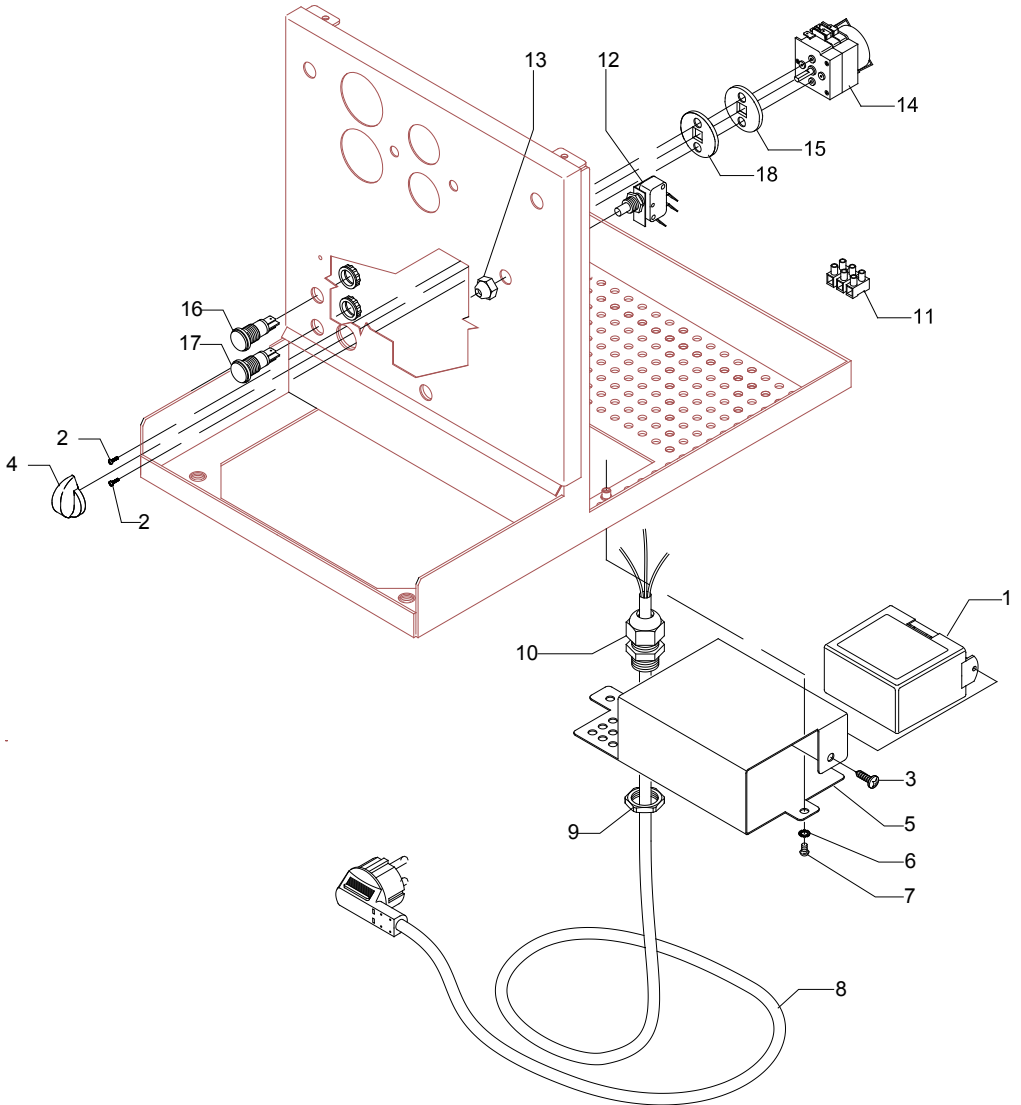


TABLE 7 (up to 28.02.10)

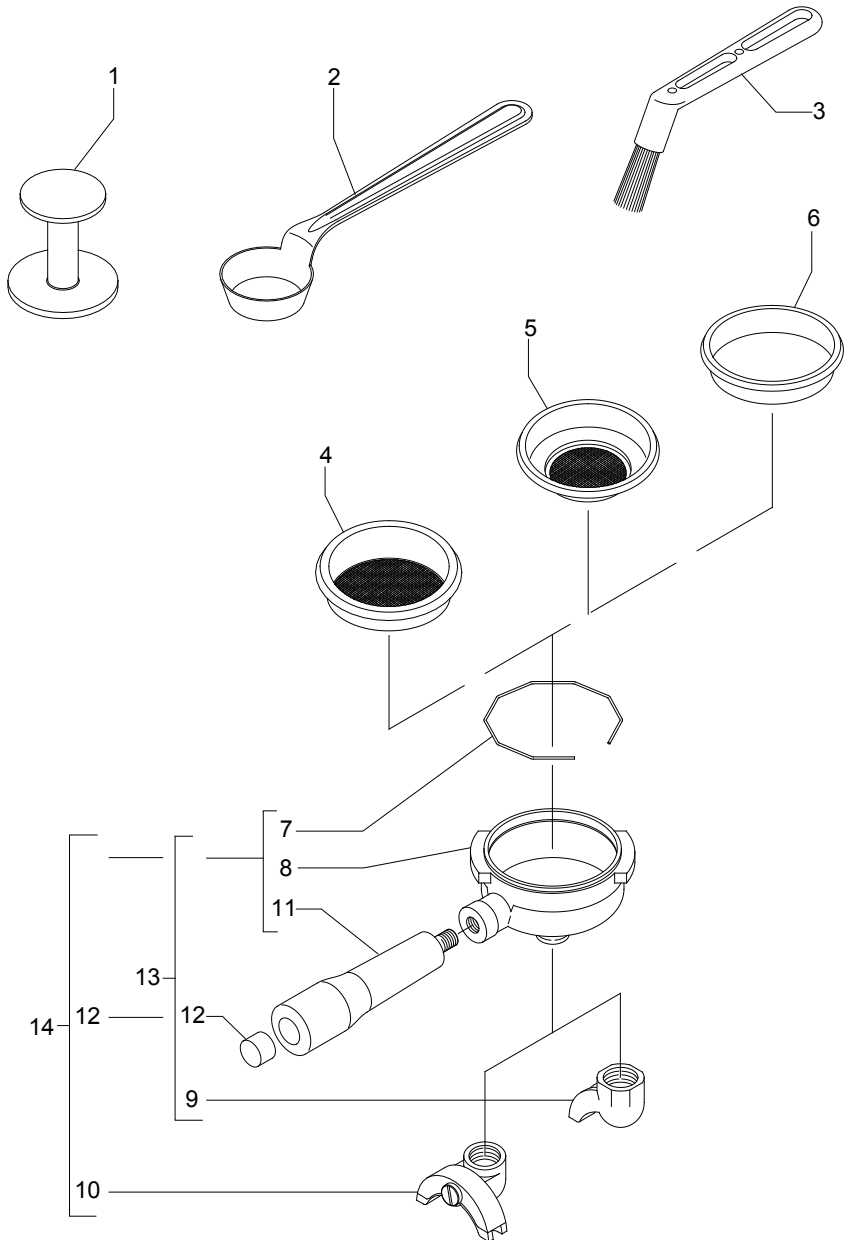


TABLE 7 (up to 26.04.12)

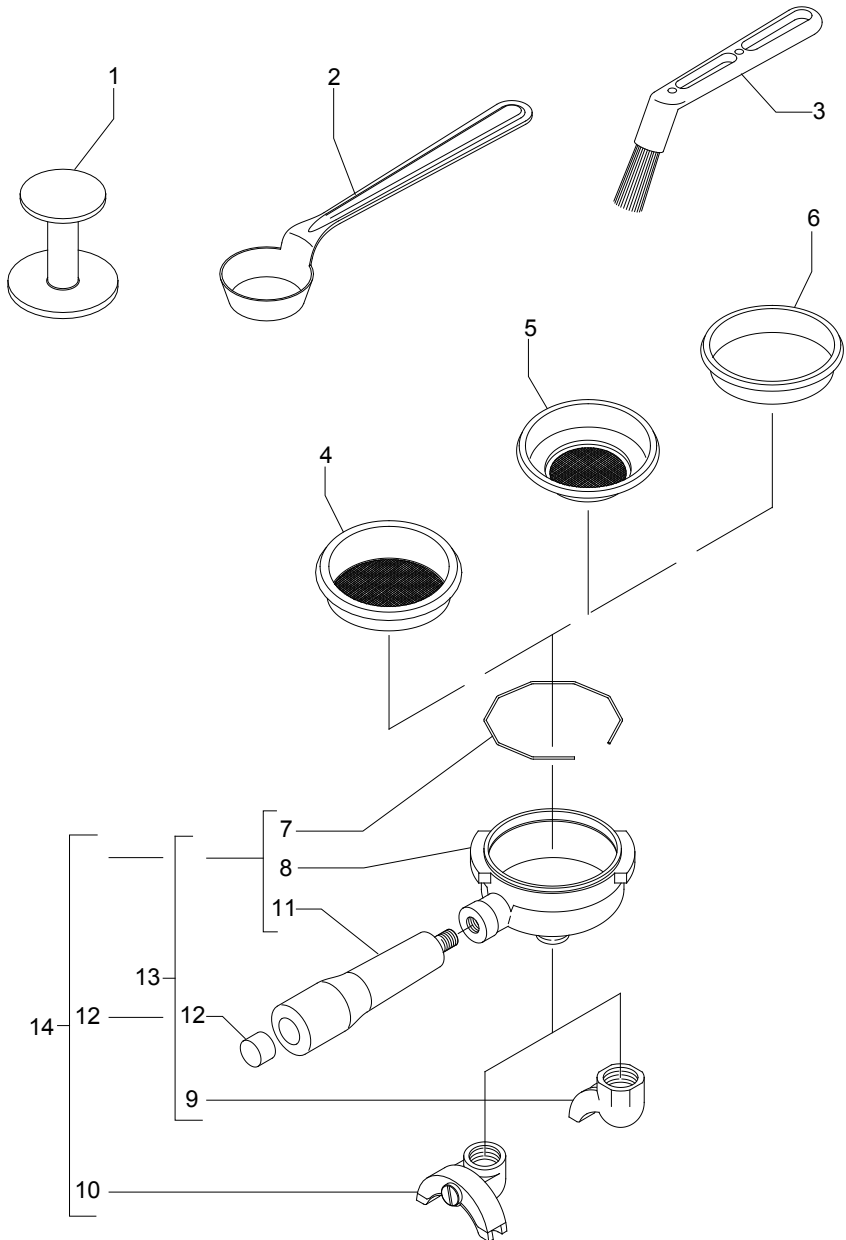
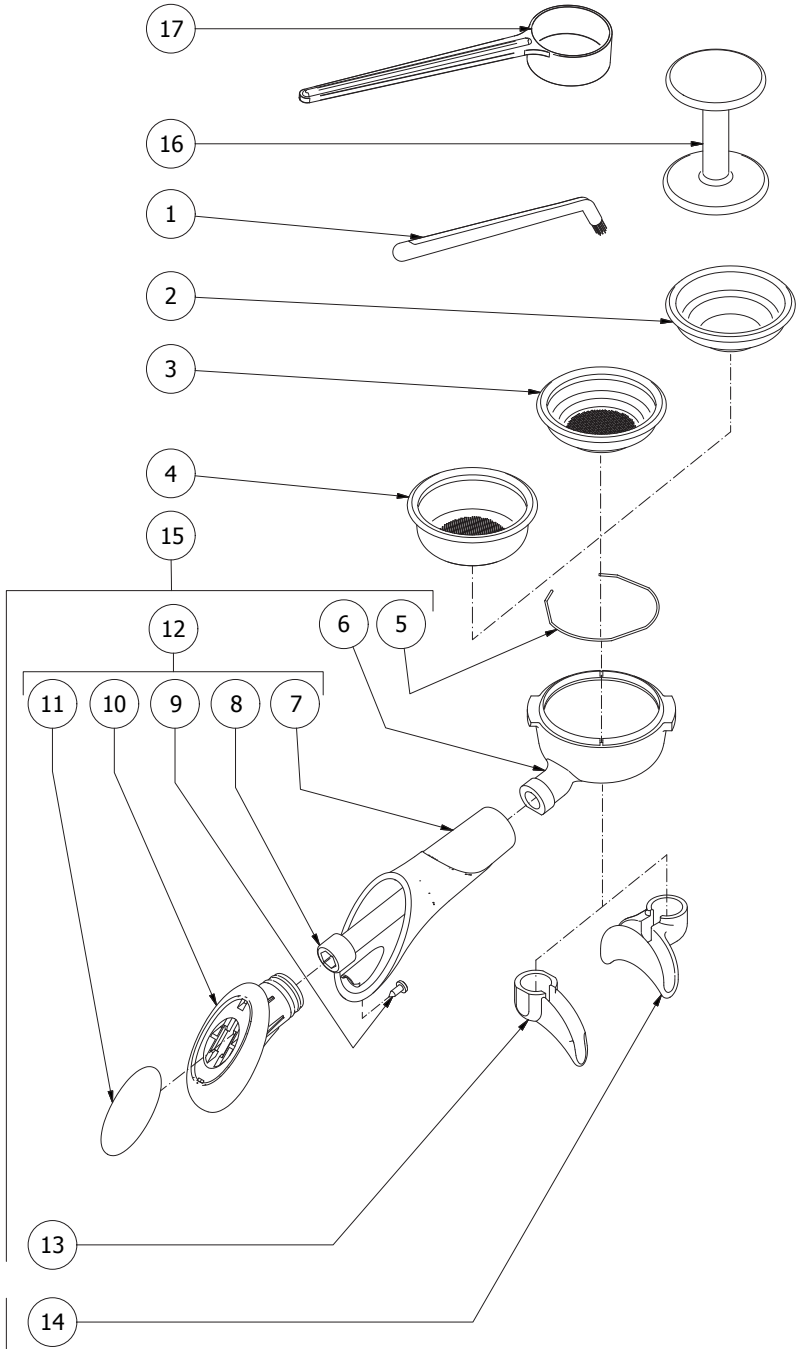
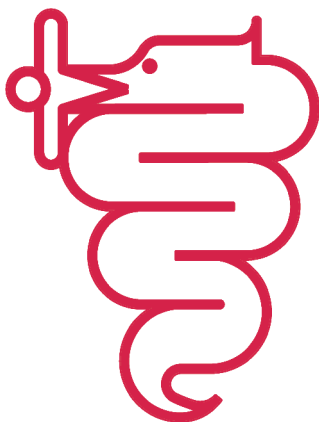


TABLE 7 (from 27.04.12)





BEZZERA

Dal 1901

G.BEZZERA

MACCHINE PER CAFFE' ESPRESSO

Via Luigi Bezzera,1

20088 Rosate - Milano - Italy

Tel. ++39 02 90848102 r.a. - Telefax ++39 02 90870287

Web: www.g.bezzera.it

e-mail: commerciale@bezzera.it