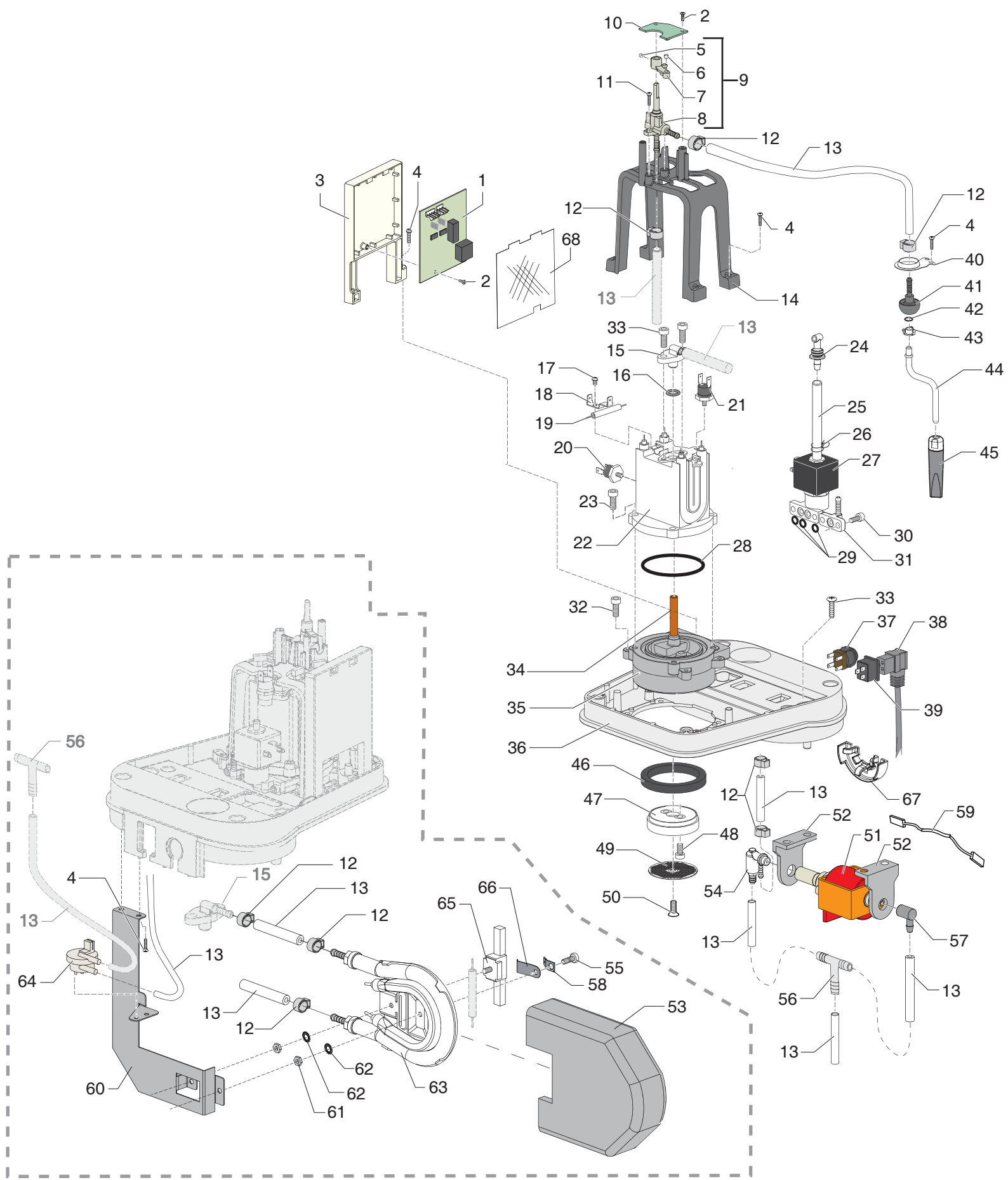


ER0259

NEW BABY06 TWIN, SIN031MDR

Pos	Article-Nr.	Description	Pos	Article-Nr.	Description
1	11006964	UPPER INOX BODY ASSEMBLY - UL	49	15002735	MANUAL V2 BABY06 TWIN BRA
1	8332026030	UPPER INOX BODY ASSEMBLY	50	13000482	EXTERNAL BOX NEW BABY06/ESPRESSO06
2	4332106000	"LOGO ""G"" ST.STEEL"	50	4332103000	BOX PACKAGING BABY06 CLASS
3	4332108000	TWOADHESIVE TESA 4959 X LOGO "G"	51	20006917	KIT PS-E INSERT FOR BOX GAG NEW BABY06
4	6332029010	SUPPORT KEYBOARD BABY TWIN	52	4301007000	BLACK TWO WAY PIN
5	6332022000	8401C/SILVER ALUMINIUM CUP WARMER	53	182914662	CABLE 1 WIRE SILICONE BLUE 100 MM
6	4332107000	TWOADHESIVE FOR KEYBOARD	53	4332080000	CABLE 1WIRE SILICON BLUE 150 MM
7	4332026000	KEYBOARD CAPAC.	53	4332096000	V230 WIRING BABY06 TWIN
8	8332030000	KEYBOARD ASSEMBLY BABY TWIN	53	4332098000	HEATING ELEMENT BRIDGE WIRING V230
9	4332062000	FLAT CABLE WITH 14-POLE CONNECTOR	53	8332009000	CONNECTOR FOR TURBINE NEW ESPR.06
10	DI7981P4.	SELF TAPPING GALV. SCREWPLAST	53	8332011000	CONNECTOR ASS.3 POLES W/C FOR STEAM
11	DI7981P2.9X6. 2X167	2,9X6,5 SELF TAPPING SCREWPLAS	53	8332035000	CABLE UNIT SCALDAT.V230 W
12	4332092000	BRAND GAGGIA H.12	53	8332036000	BOILER BOARD CABLE TWIN 230V ASSY.
13	11005033	STEAM KNOB ASSEMBLY	54	182914362	CABLE 1 WIRE SILICONE BLUE AWG18 100 MM
14	6332020000	CAP TANK SILVER	54	11006086	V120/UL WIRING BABY06 TWIN
15	4332011000	BLACK WATER TANK HANDLE	54	11006087	WIRING RESISTANCES 120V/UL
16	224640200	WHITE WATER CONTAINER EXT.FILTER ASSY.	54	11006089	ASSEMBLY CONNECTOR FOR TURBINE - UL
17	140328461	EPDM OR METRIC 0190-10	54	11006090	CABLE UNIT SCALDAT. V120/UL
18	4332018000	TRANSP.WATER TANK	54	11006091	BOILER BOARD CABLE TWIN 120V/UL ASSY.
19	140324362	OR METRIC 0060-30 IN SILICONE	54	11006093	WIRING BOARD VAPOR - UL
20	126764718	SS WATER CONTAINER VALVE SPRING	54	11006185	CABLE 1 WIRE SILIC.BLUE AWG20 150 MM
21	147660562	GREY PISTON FOR WATER CONTAINER VALVE	55	11000791	ADHESIVE HEATING-ELEMENT 120V
22	8332023000	TRANSP.WATER TANK ASSY.	55	WGA431603100	ADHESIVE HEATING-ELEMENT 230V
23	DM0814	STEEL SPRING FOR KNOB TYMER			
24	0701.031.150	GREY WATER VALVE GACO DIM 14 SEAL COVER			
25	145842900	NBR WATER CONT.VALVE GACO DIM14 SEAL			
26	129535721	SCREW TSP TORX 10 AB 3,5X9,5 SHEET SS			
27	0701.014.150	GREY WATER VALVE GACO DIM 14 SEAL CONT.			
28	140320461	OR ORM 0080-20 IN TERMOIL			
29	8332027000	SS CASING CENTRAL BODY			
30	WGAFG0245	BLACK FOOT			
31	6332014000	8401C/SILVER ALUMINIUM LOWER PLATE			
32	4332089000	GASKET FOR TRAY			
33	145501411	RED FLOAT FOR DRIP TRAY P117			
34	6332001000	8401C/SILVER ALUMINIUM TRAY			
35	4332005000	GRID			
36	WGADM1017	MEASURE			
37	WGA2PR/1	SEPARATOR			
38	11007038	PERFECT CREMA FILTER D.0,6 MM.			
39	11011693	PERFECT CREMA FILTER			
40	21000491	PERFECT CREMA FILTER KIT			
41	11005535	FILTER FOR POD			
42	18G1514	RETAINING - FILTER SPRING			
43	6301002000	CHROM/BRASS FILTER HOLDER CUP			
44	4332037000	KNOB FILTER HOLDER			
45	WGADM1319	GALV.SPECIAL SCREW M6X16			
46	4332038000	CAP KNOB FILTER HOLDER			
47	WGA630100401	2-WAY SPOUT CHROME			
48	8332018000	FILTER BASKET (CHROM.)			
49	15001667	INSTRUCTIONS MANUAL BABY06 TWIN CHN			
49	15002240	MANUAL V2 BABY06 TWIN			



ER0259

NEW BABY06 TWIN, SIN031MDR

Pos	Article-Nr.	Description	Pos	Article-Nr.	Description
1	11008970	ELECTRONIC CARD BABY TWIN V1 230V	43	4332050000	COUPLING FOR SPHERIC UNION
1	4332017030	ELECTRONIC CARD BABY TWIN 120V	44	AM0011/01	CHROM.LOWER STEAM TUBE
2	DI7981P2.9X6. 57	2,9X6,5 SELF TAPPING SCREWPLAS	45	227431321	SS/SS PANNARELLO G100 ASSY.
3	4332019000	ELECTRONIC BOARD SUPPORT BABY06	46	NG01/001	FILTER HOLDER GASKET
3	11009160		47	DY0036/A	ALUM.SHOWER HOLDER ASSY.
4	DI7981P3.5X9. 57	SELF TAPPING GALV. SCREWPLAST	48	UN5931-6X12I	SS SCREW M 6X12
5	12000610	4X4 BURN. SCREW	49	DM0704	SHOWER
6	122100300	MAGNET FOR TURB. FAN	50	DI7987-5X8I	SCREW TSP M5X8 UNI 7688 DIN 965 INOX
7	11004989	ZAMA MICRO OPERATION CAM	51	12000140	ULKA PUMP EP5/S GW 230V-50HZ
8	11005010	FAUCET BABY06 ASSY.	51	12000142	ULKA PUMP EAP5/S 120V-60HZ
9	11005746	FAUCET WITH CAM + MAGNET ASSY.	52	WGADY0003	BLACK PUMP SUPPORT ULKA
10	4332061000	CARD TAP STEAM	53	147755900	HEAT.ELEMENT PROTECTION BLECKMANN
11	DI7981P3. 5X137	SELF TAPPING GALV. SCREWPLAST	54	11025927	SMART TEA/BRASS SAFETY VALVE 11 BAR ASSY.
12	12000892	OETIKER CLAMP D=9,5 16700004	55	U046.003	SCREW TCBD TORX 20 M4X12 ZN-B
13	16000703	PLATINIC SILICONE TUBE 5X9,1 IN ROLL	56	147920300	TRANS.CONNECTOR D=8 ART.80.26.047 KA.461
14	4332042000	BLACK STEAM FAUCET SUPPORT	57	147920150	90° INLET PUMP CONNECTOR
15	4332024000	STEAM OUTPUT CONNECTOR BRASS/TEA 4332089000	58	NE15.026	MALE TONGUE 45° 6,3 D.5,2
16	DM0041/081	O-RING 112 IN EPDM 70°SH	59	CE0429/UL- CSA	CABLE UL-CSA FOR PUMP EATON
17	DM1957	SCREW M 4X5 GALV.W/KNURLED HEAD	59	289200100	THERMAL. PROTECT.120°C CABL.121/121
18	GG0064	BRACKET FOR THERMOFUSE	60	4332036000	RAPID STEAM BOILER PLATE
19	DM1040	FUSE	61	U302.003	GALV.NUT HEXAGONAL M4 UNI 5588
20	DM1168	COFFEE TEMPERATURE SWITCH	62	128310404	WASHER UNI 8842 A4 BURNISHED
21	DM1288	STEAM TEMPERATURE SWITCH	63	11004555	HEATING-ELEMENT BLECKMAN 230V 1000W
22	EF0030/A	ALUM.BOILER 120/220/240 V ASSY.	63	11004556	HEATING-ELEMENT BLECKMAN 120V 1000W
23	UN5931-6X16Z	GALV.SCREW M 6X16	64	NV99.099	TURBINE D=1,2 932-8521/00 ASSY.
24	4332113000	BLACK SOLENOID VALVE DISCHARGE	65	189428300	THERMOSTAT 175° INTERCONTR.161471002
25	16000440	BLACK SILICONE TUBE 5X9 70SH IN ROLL	66	127535319	GALV/STEEL THERMAL FUSE FIXING PLATE
26	NV99.077	TUBE-TIGHTENING CLAMP D=9.8/10.6	67	11022321	BLACK SUPPORT R15 FOR SILICONE TUBE
27	12001105	TEA/BRASS SOLENOID VALVE 120V 60Hz	68	11007140	SHEET INSULATE SP=0.25 POWER BOARD
27	12001270	TEA/BRASS SOLENOID VALVE 230V 50Hz			
28	DM0041/082	O-RING 167 IN EPDM 70°SH			
29	WGADM0041/0	Gasket OR 2025			
30	UN5931-5X12Z	GALV.SCREW M 5X12			
31	4332023000	TEA BRASS INLET CONNECTOR			
32	UN5931-5X12I	SS SCREW M 5X12			
33	DI7981P4. 2X167	SELF TAPPING GALV. SCREWPLAST			
34	B0181	COPPER PIPE			
35	B0171	CROM/BRASS GROUP BODY			
36	6332052010	8401C/SILVER COMPONENTS SUPP.PLATE			
37	5332004000	ON-OFF BIPOL.SWITCH RFIT122C1N2X001			
38	CF0292/USA	POWER CABLE 2X16 AWG USA BLACK			
38	183911050	BLACK POWER CABLE SCHUKO L=1200			
38	183930650	POWER CABLE CH BLACK 3X1 H05VV-F L=1200			
38	183940650	BLACK POWER CABLE AUSTRALIA L=1200			
38	183970350	BLACK POWER CABLE UK L=1200			
38	11004247	BLACK POWER CABLE RVV 3X1 CHINA L=1200			
39	12000280	CUP SOCKET EN 60320 C 13			
39	DM1563/001	SELF FIXING PIN V 120			
40	4332055000	SUPPORT FOR SPHERAL UNION			
41	11009190	GRIVORY VALVE 11 BAR WITH OR ASSY.			
42	DM0041/088	O-RING GASKET 2025 EPDM			