

**GAGGIA**<sup>®</sup>  
*Tradizione in Continua Evoluzione*

**NEW BABY**

**06**

# GAGGIA®

Tradizione in Continua Evoluzione



Italian design, made of quality and attention to details, will become protagonist of your daily Espresso. Traditional but always up-to-date, here **BABY** comes in 2 new trendy colours: black and ivory. Its modern character is underscored by an exclusive polished metal front panel.

## Features:

- Size: cm. 24,5 (l) x 40 (h) x 26,5 (d)
- Power supply: 230-240V/50Hz 1300W or 120V/60H 1425W
- Colours: ivory, black
- Weight: 6 kg
- 15 bar pump pressure
- Rechargeable water tank : 1,6l
- 1-cup and/or pod and 2-cup filter
- Group and filter holder: chromed brass
- Pannarello frother
- Electronic control panel soft-touch
- Solenoid Valve
- Bodywork: ABS



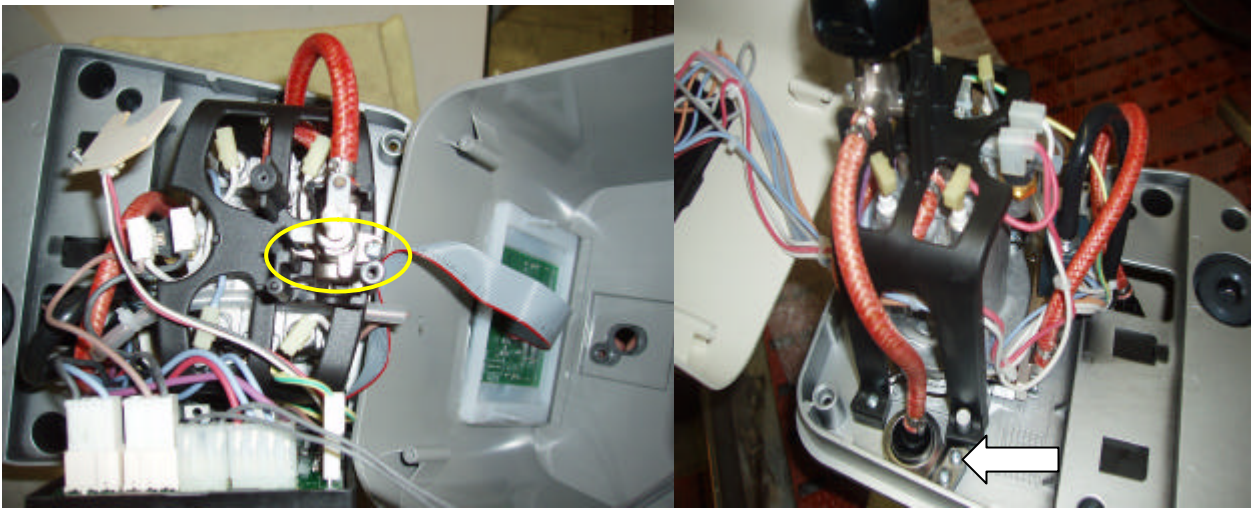
# DIRECTIONS

Disassembling the upper bodywork:

- Loosen the screw underneath the steam knob (see red arrow)
- Loosen the two screws underneath the water reservoir (see yellow arrows)
- Loosen the two screws on the components plate (filter-holder attachment) – see blue arrows



## Steam valve:



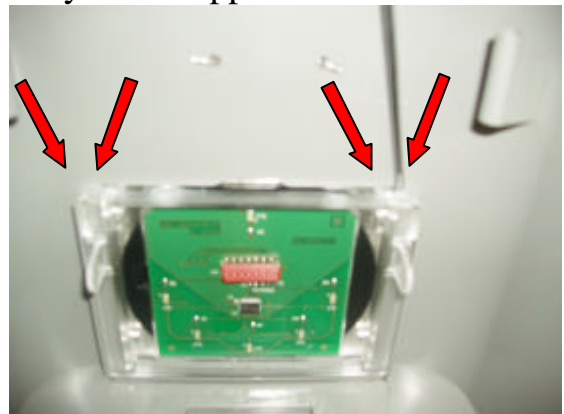
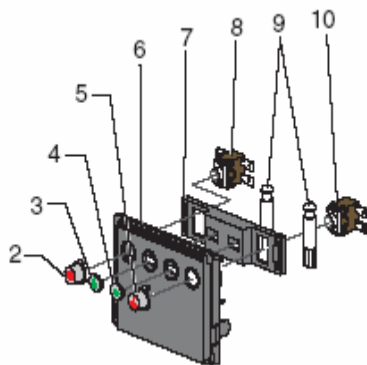
- The steam valve assembly with cam is fastened by two screws supporting the steam valve (see yellow marking)
- The steam valve pipe is in reinforced silicon, fastened by two screws to the components plate (see white arrow)

## Boiler:

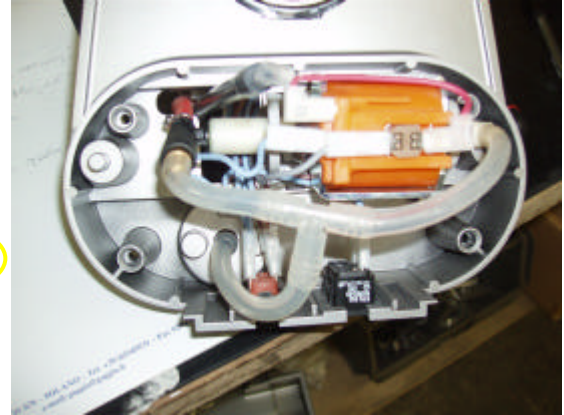
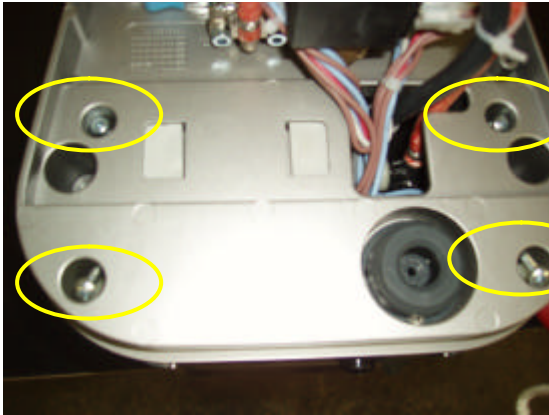
- Standard

## Switches assembly :

- To remove the switches assembly from the bodywork, use a small screwdriver to lever the corners of the plastic keyboard support.



Components plate:



- Remove the components plate by loosening the four screws behind the boiler.
- The pump, the power cord connection and the ON-OFF switch are located underneath the plate.

Lower bodywork:

Remove the lower bodywork by loosening the four screws under the lower plate assembly.