

S13657 Impresa J9.3 chromium AROMA+ EU 230V/50Hz675  
[SCHUKO]

Edition: 09/05/12

The Spare Part List is valid for the following articles:

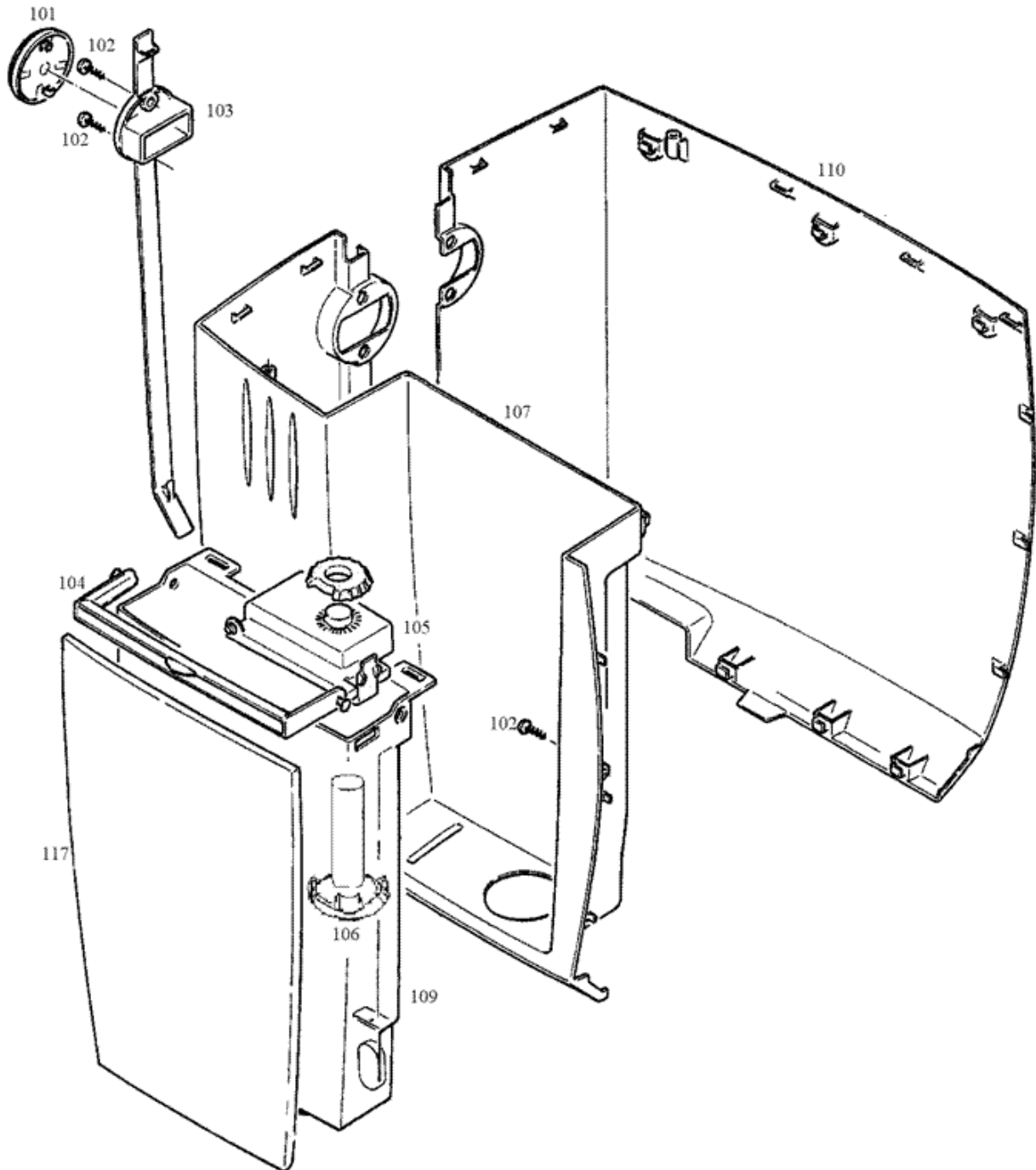
13657 Impresa J9.3 chromium AROMA+ EU 230V/50Hz [SCHUKO]

The Variant designations mean:

go Individual parts on separate parts list

(1) Case components and water tank

S13657\_01



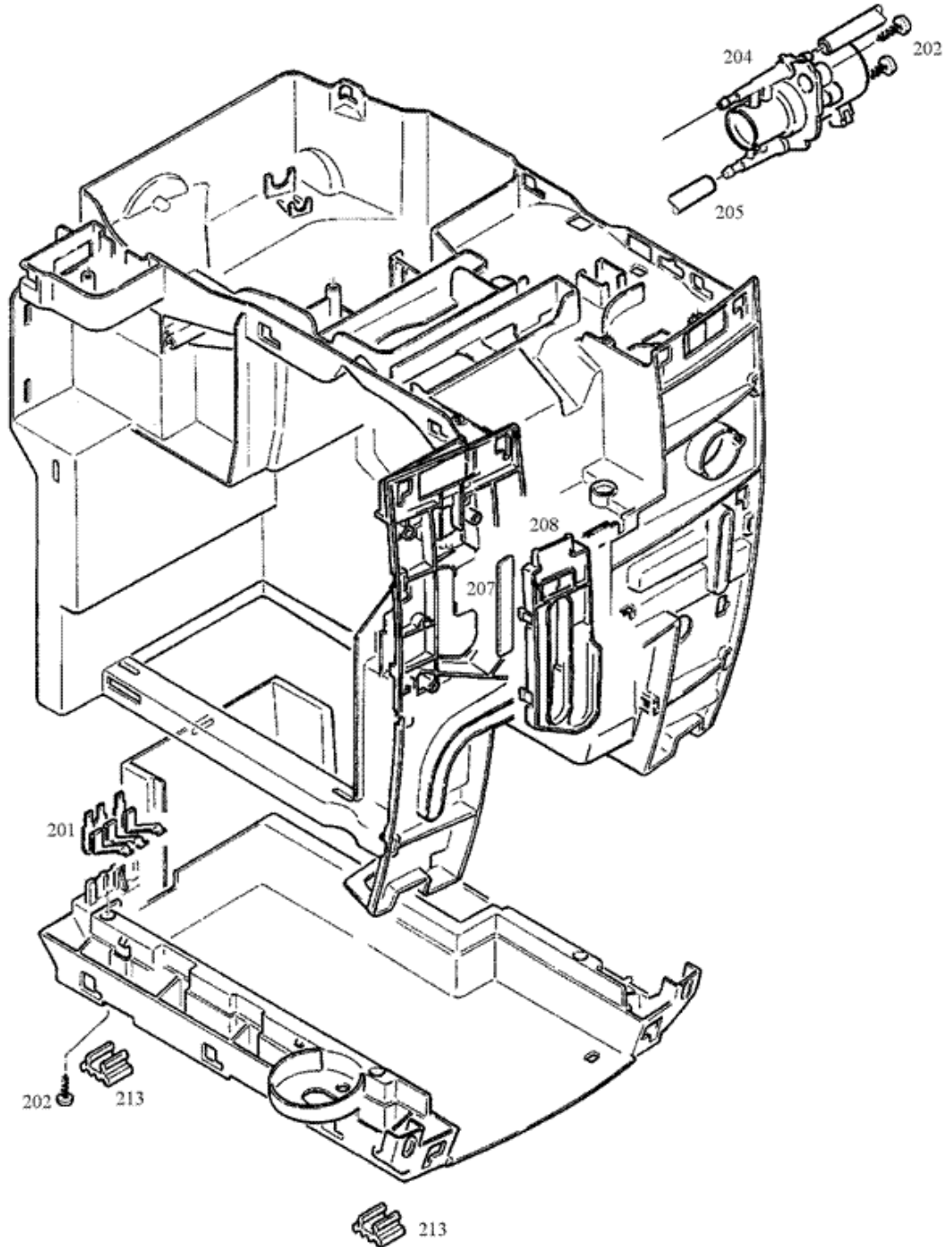
S13657 Impresa J9.3 chromium AROMA+ EU 230V/50Hz675  
[SCHUKO]

Edition: 09/05/12

Art.-Nr.	Pos	Designation	Variation	Stock	SC
	0101	Back cover cap		X	
	0102	Fillister head screw 3.5x12		X	
	0103	Fixing band		X	
	0104	Handle watertank black		X	
	0105	Bracket BLUE		X	
	0106	Filter extension BLUE		X	
	0107	Left side section pianoblack		X	
	0109	Watertank assembled BLUE		X	
	0110	Right side section pianoblack		X	
	0117	Shield pianoblack		X	

**(2) Case components**

S13657\_02



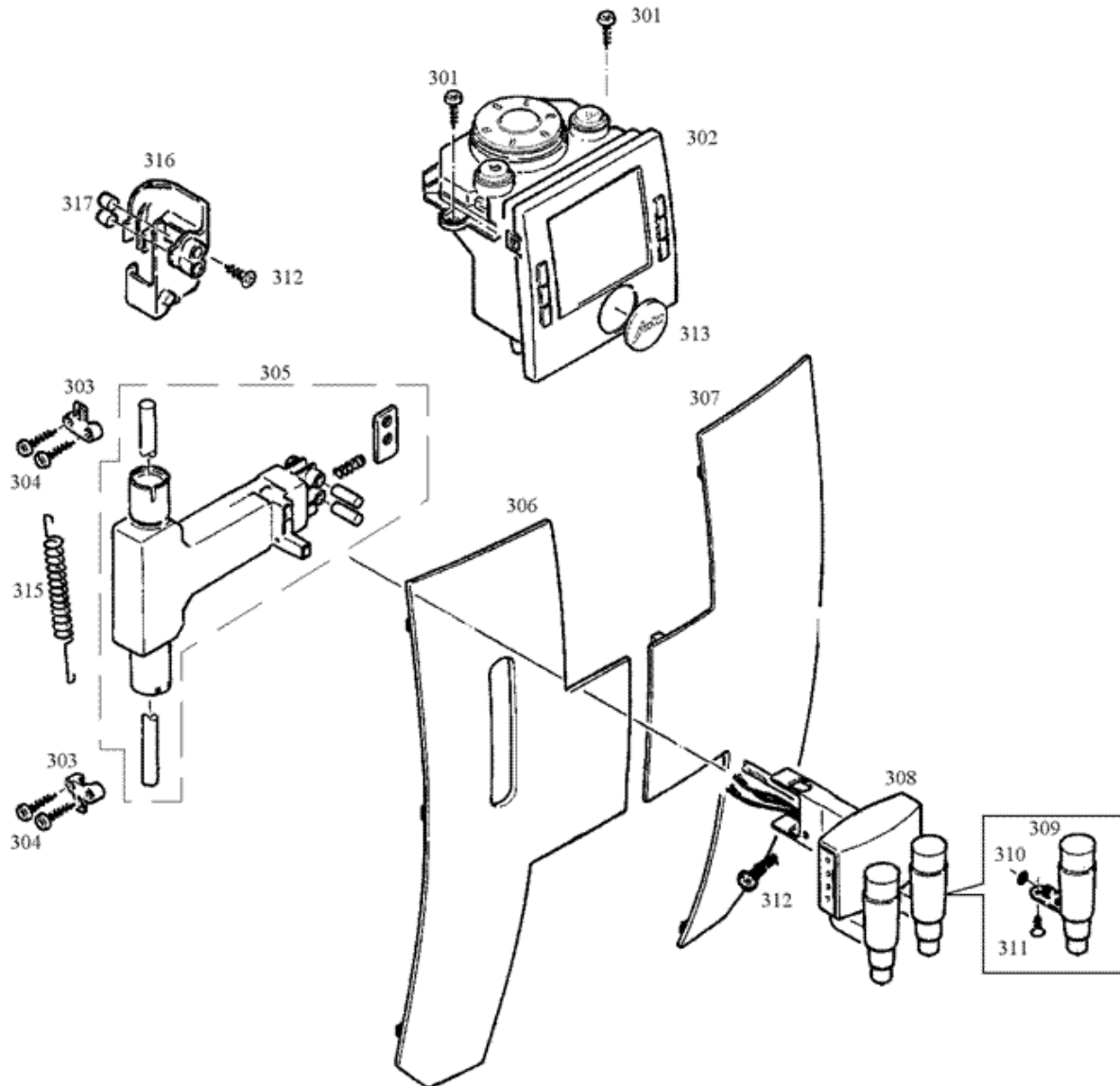
S13657 Impresa J9.3 chromium AROMA+ EU 230V/50Hz675  
[SCHUKO]

Edition: 09/05/12

Art.-Nr.	Pos	Designation	Variation	Stock	SC
	0201	Detection spring inox		X	
	0202	Fillister head screw 3.5x12		X	
	0204	Squeezing-valve cpl			
	0205	Silicone hose 3.0x1.50x150		X	
	0207	Plate		X	
	0208	Discharge pipe shield		X	
	0213	Elastic pad		X	

**(3) Front cover**

S13657\_03



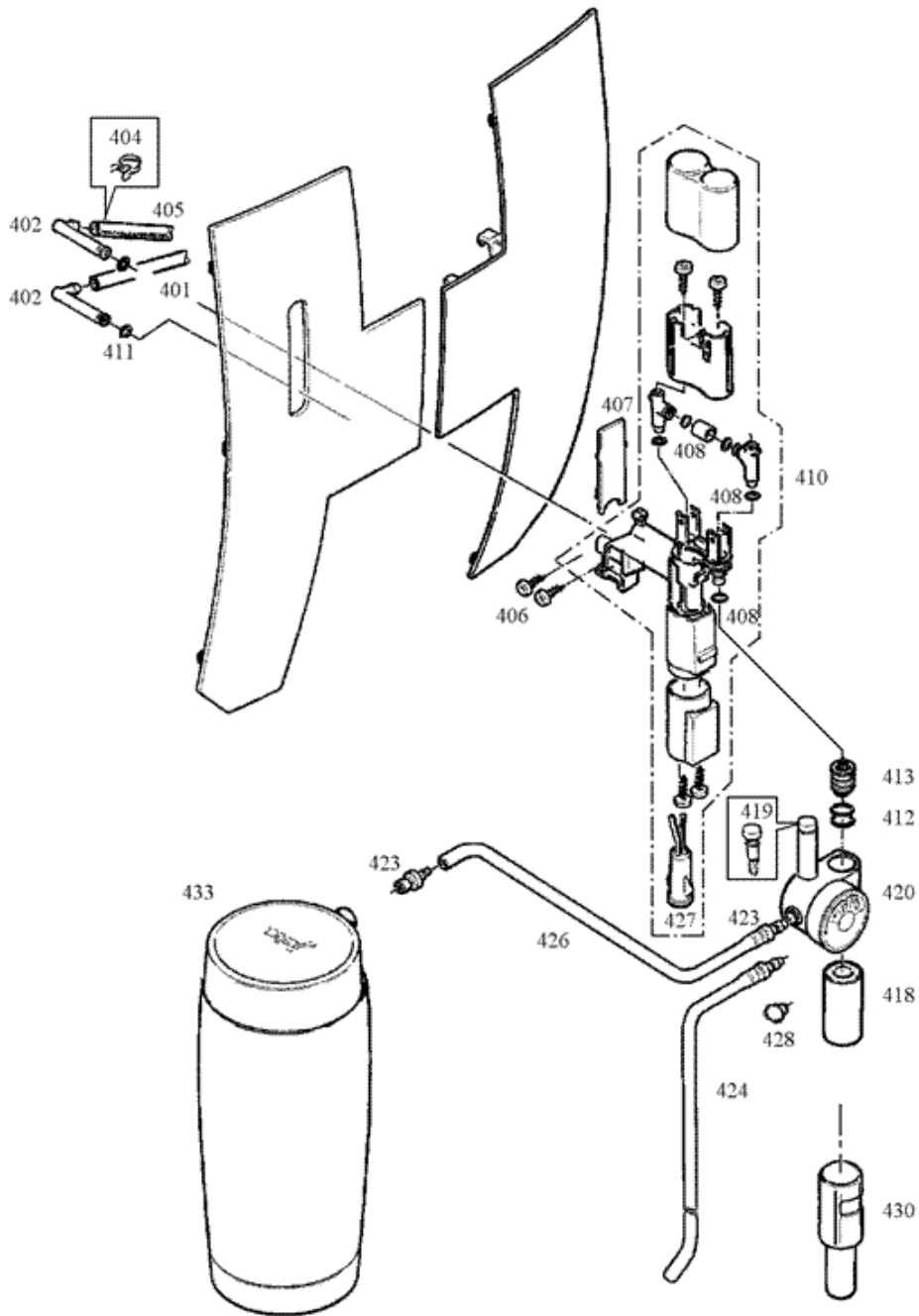
S13657 Impresa J9.3 chromium AROMA+ EU 230V/50Hz675  
[SCHUKO]

Edition: 09/05/12

Art.-Nr.	Pos	Designation	Variation	Stock	SC
	0301	Fillister head screw 3.5x12		X	
	0302	Displaymodul J9.3 TFT		X	
	0303	Bride		X	
	0304	Pt-screw nom dia 35x16		X	
	0305	Outlet gate		X	
	0306	Left side section chromium		X	
	0307	Right side section chromium		X	
	0308	Outlet ass. J9.2/J9.3		X	
	0309	Outlet coffee		X	
	0310	O-ring 100pcs (sep. 94389)		X	
	0311	Screw KST/PT 2.5x 6		X	
	0312	Screw KST/PT Torx 8		X	
	0313	SK Jura Button D=27.6mm		X	
	0315	Spring D=0.5 x7.5 x94.8mm		X	
	0316	Clamping black		X	
	0317	Magnet		X	

(4) Cappu

S13657\_04

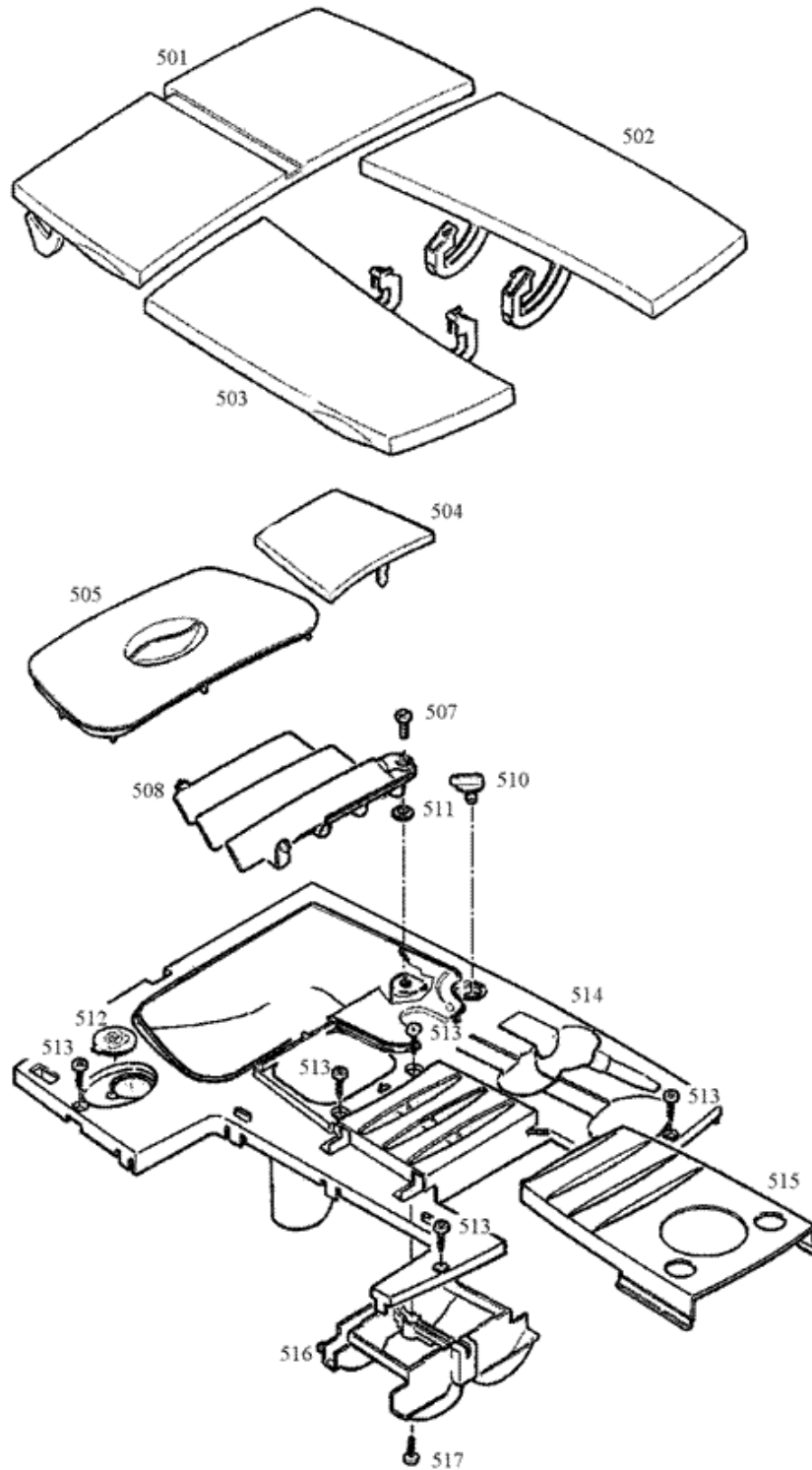




Art.-Nr.	Pos	Designation	Variation	Stock	SC
	0401	Silicone hose 03.0x1.50x180		X	
	0402	Connection		X	
	0404	Hose clamping 7.0-7.5 RoHS		X	
	0405	Silicone tissue hose D 3.0		X	
	0406	Pt-screw nom dia 35x16		X	
	0407	Discharge pipe cover		X	
	0408	O-ring 4.00x1.50 silicon/2-K		X	
	0410	Cappu discharge J9.3 cpl.		X	
	0411	O-ring epdm 4x1.5		X	
	0412	O-ring sil. 8.73x1.78 70SH red		X	
	0413	Steam nozzle black		X	
	0418	Outlet ass. cappu		X	
	0419	Air intake pipe		X	
	0420	Alve body with control panel		X	
	0423	Nipple		X	
	0424	Silicone hose 3x1.5x360mm		X	
	0426	Silicone hose 3x1.5x120mm		X	
	0427	Light LED cappu		X	
	0428	Plug Easy Cappu red		X	
	0430	Water tube assembled		X	
	0433	stainless steel milk container	go s65381	X	

**(5) Case cover**

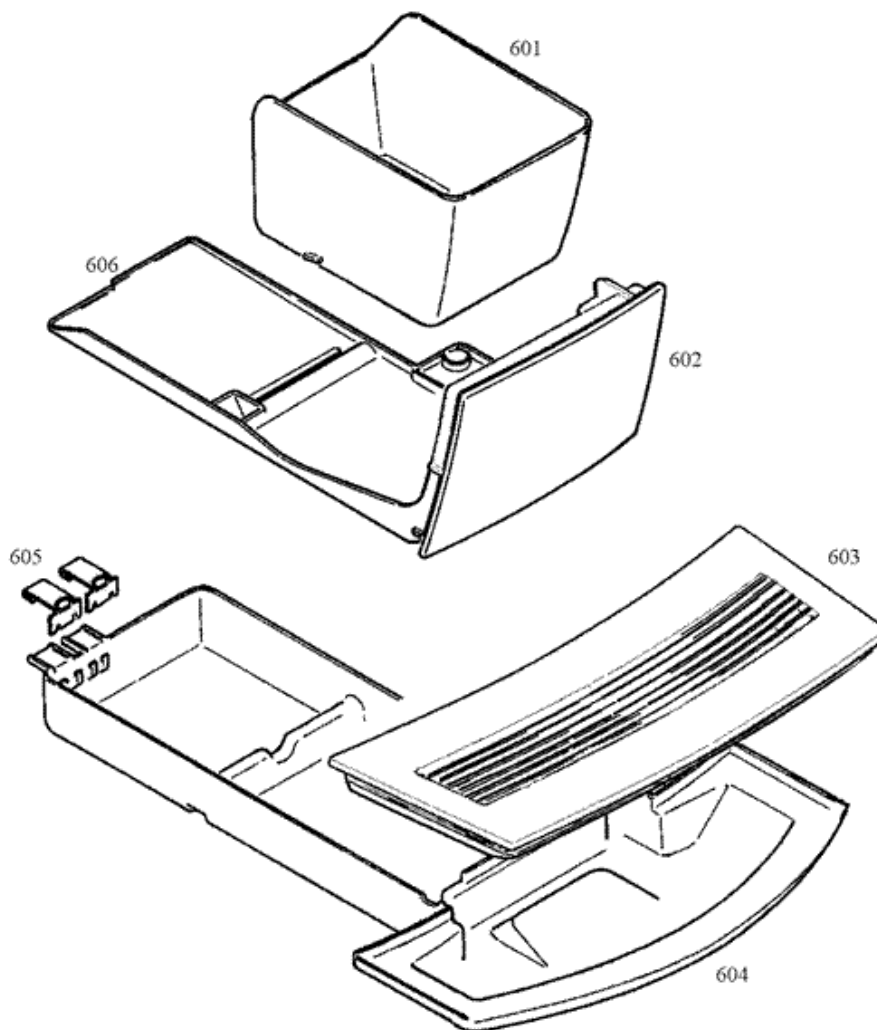
S13657\_05



Art.-Nr.	Pos	Designation	Variation	Stock	SC
	0501	Bean container cover		X	
	0502	Cover		X	
	0503	Tank lid		X	
	0504	Powder funnel lid		X	
	0505	Lid to preserve aroma		X	
	0507	Screw M4x12 vz-bl.		X	
	0508	Finger guard		X	
	0510	Turn knob grinding adjustment		X	
	0511	Safetyring		X	
	0512	Service plug cover		X	
	0513	Screw KST/PT 3x12 vz-sw RoHS		X	
	0514	Housing lid assembled		X	
	0515	Display cover		X	
	0516	Cover		X	
	0517	Fillister head screw 3.5x12		X	

**(6) Pan**

S13657\_06



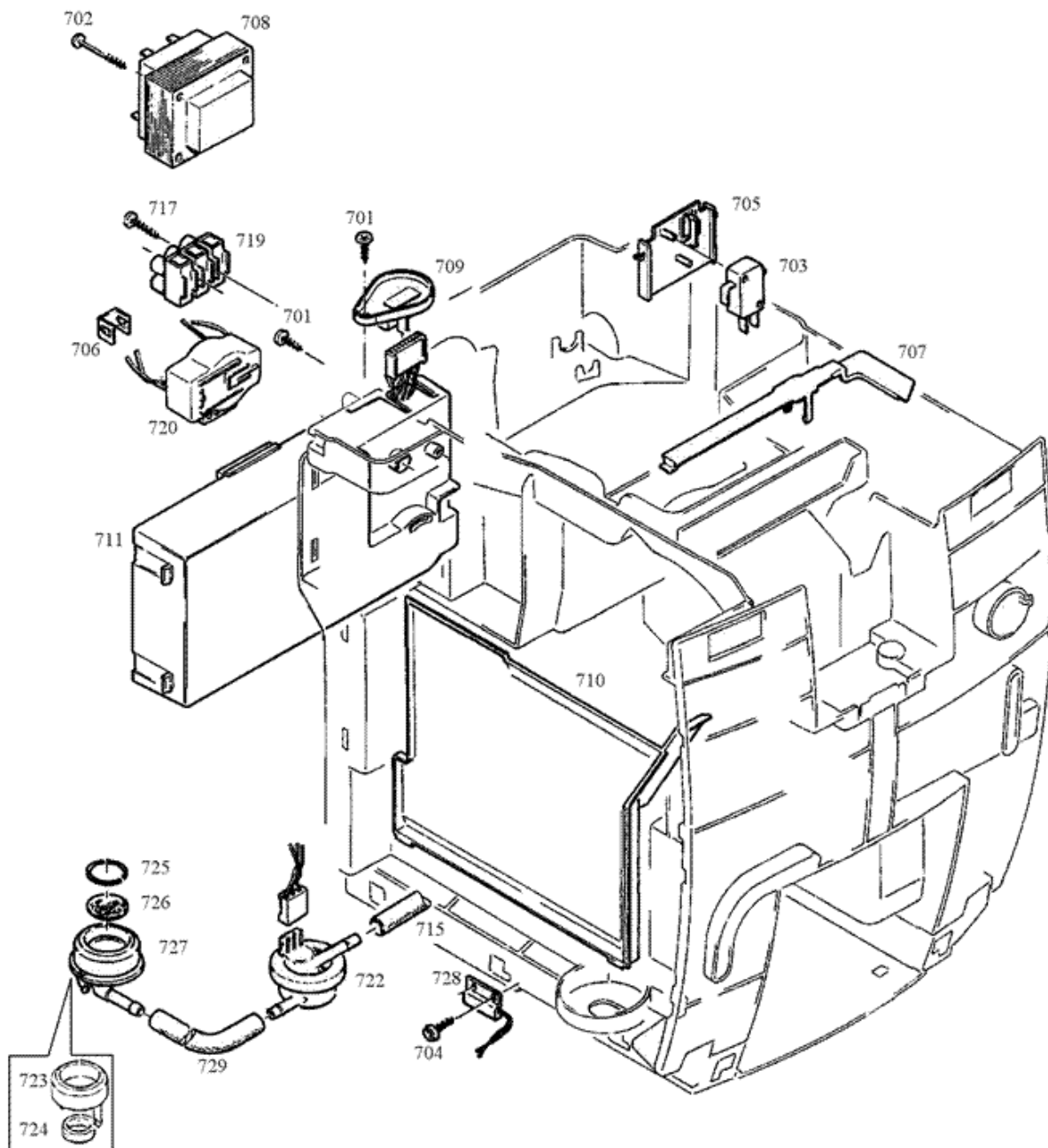
S13657 Impresa J9.3 chromium AROMA+ EU 230V/50Hz675  
[SCHUKO]

Edition: 09/05/12

Art.-Nr.	Pos	Designation	Variation	Stock	SC
	0601	Used ground container black		X	
	0602	Used ground pan shield		X	
	0603	cup grille cpl.		X	
	0604	Drain pan		X	
	0605	Contact metal sheet Inox		X	
	0606	Used ground pan black		X	

(7) Printed power circuit board

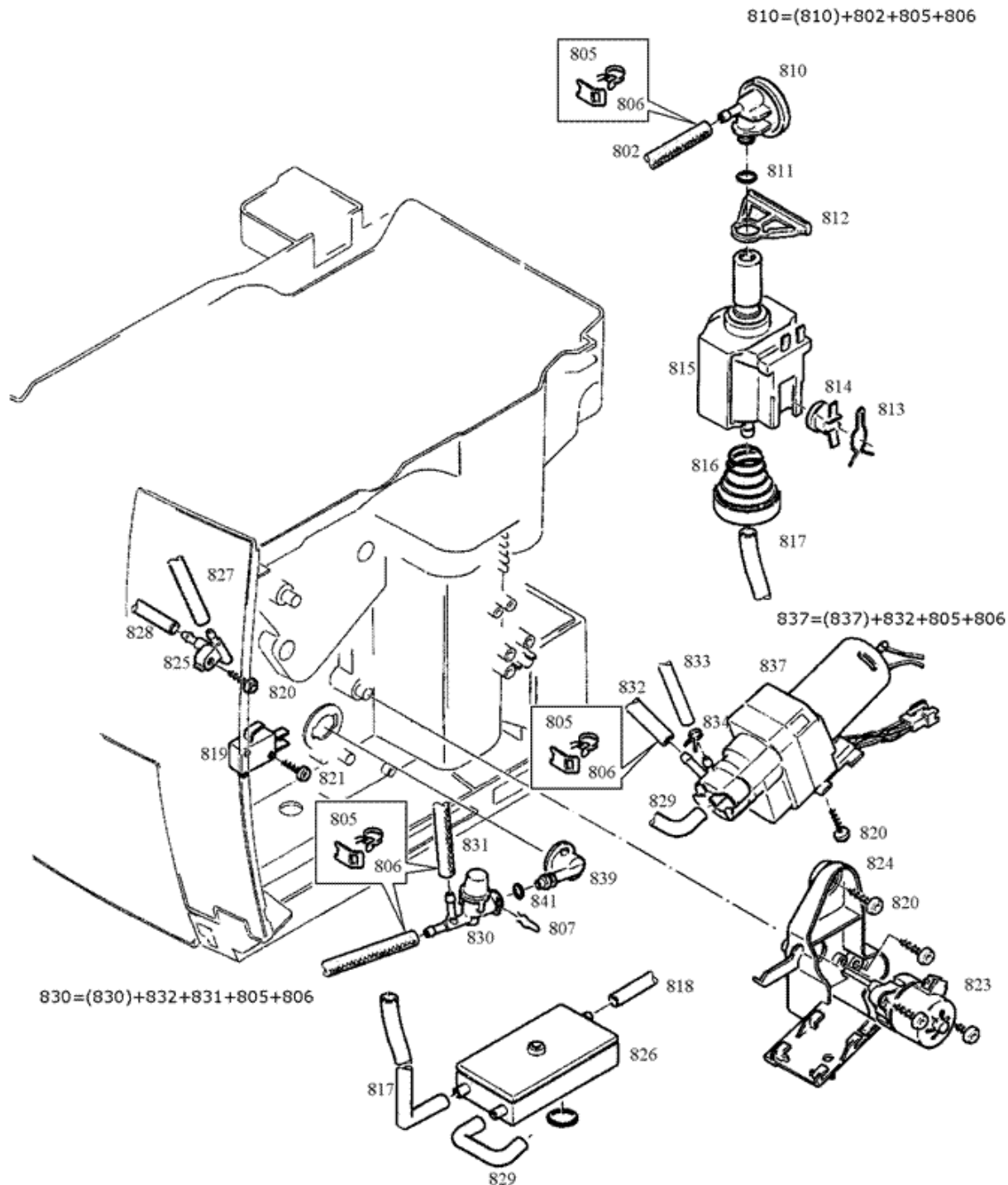
S13657\_07



Art.-Nr.	Pos	Designation	Variation	Stock	SC
	0701	Fillister head screw 3.5x12		X	
	0702	Screw KST/PT 3.0x30		X	
	0703	Microswitch 125-250VAC		X	
	0704	Screw 25x6		X	
	0705	Support microswitch		X	
	0706	Support		X	
	0707	Cover cable case		X	
	0708	Transformer 230V		X	
	0709	Service plug cover		X	
	0710	Protective wall black V3		X	
	0711	Power pcb J9.3 230V		X	
	0715	Silicone hose 5x2x230mm		X	
	0717	Screw kst/PT		X	
	0719	Terminal 3-terminals		X	
	0720	Interference eliminator		X	
	0722	Flowmeter fhksc 12r 0-degree		X	
	0723	Valve cap		X	
	0724	Inner distributing collar		X	
	0724	O-ring 100pcs (sep. 59456)		X	
	0725	Safetyring		X	
	0726	Sieve V2		X	
	0727	Valve activator set		X	
	0728	Reed sensor		X	
	0729	Silicone hose 5x2x290 70sh		X	

**(8) Fluid System**

S13657\_08

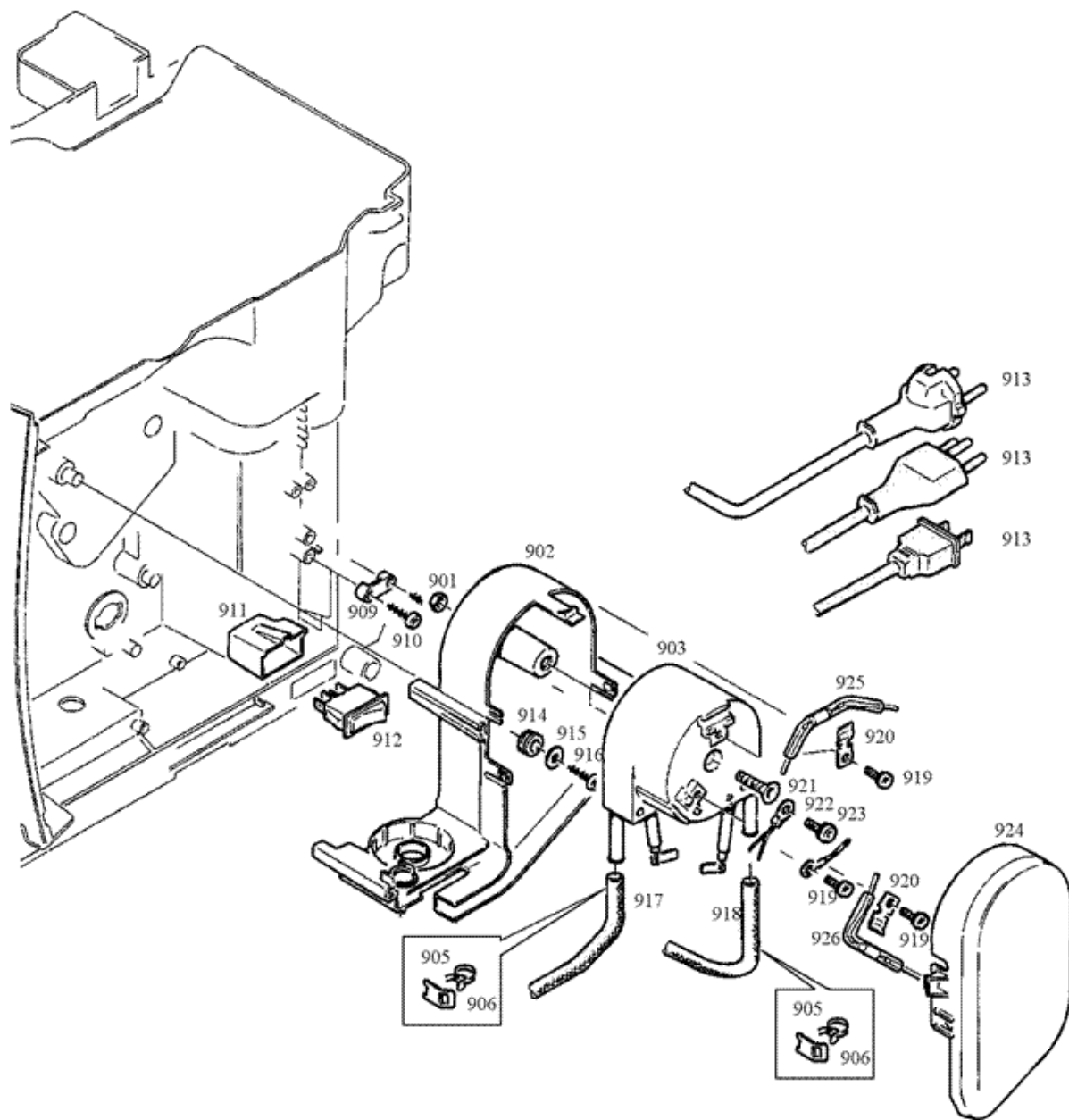




Art.-Nr.	Pos	Designation	Variation	Stock	SC
	0802	Silicone tissue hose 315mm		X	
	0805	Clamping spring D=1.3mm V2		X	
	0806	Holder		X	
	0807	Clamp D=5mm		X	
	0810	Membrane controller		X	
	0811	O-ring 100pcs (sep. 58921)		X	
	0812	Pump carrier black 70 Sh		X	
	0813	Clamp to thermostat 1NT		X	
	0814	Thermostat 115C/10A 1NT01L		X	
	0815	Pump cp3a/st 230v 50hz 65w		X	
	0816	Absorber set		X	
	0817	Shaped hose silicone		X	
	0818	Silicone hose 5x2x230mm		X	
	0819	Microswitch 125-250VAC		X	
	0820	Fillister head screw 3.5x12		X	
	0821	Screw kst/PT		X	
	0823	Drain motor		X	
	0824	Support black		X	
	0825	Connection L-forme		X	
	0826	Thermostat anodizes		X	
	0827	Silicone hose 03.0x1.50x130		X	
	0828	Silicone hose 03.0x1.50x180		X	
	0829	Shaped hose U		X	
	0830	Valve Y		X	
	0831	Silicone tissue hose 210mm		X	
	0832	Silicone tissue hose 90mm		X	
	0833	Silicone tissue hose D 3.0		X	
	0834	Hose clamping 7.0-7.5 RoHS		X	
	0837	Ceramic valve		X	
	0839	Sleeve black		X	
	0841	O-ring 4.48x1.78 EPDM		X	

**(9) Heater**

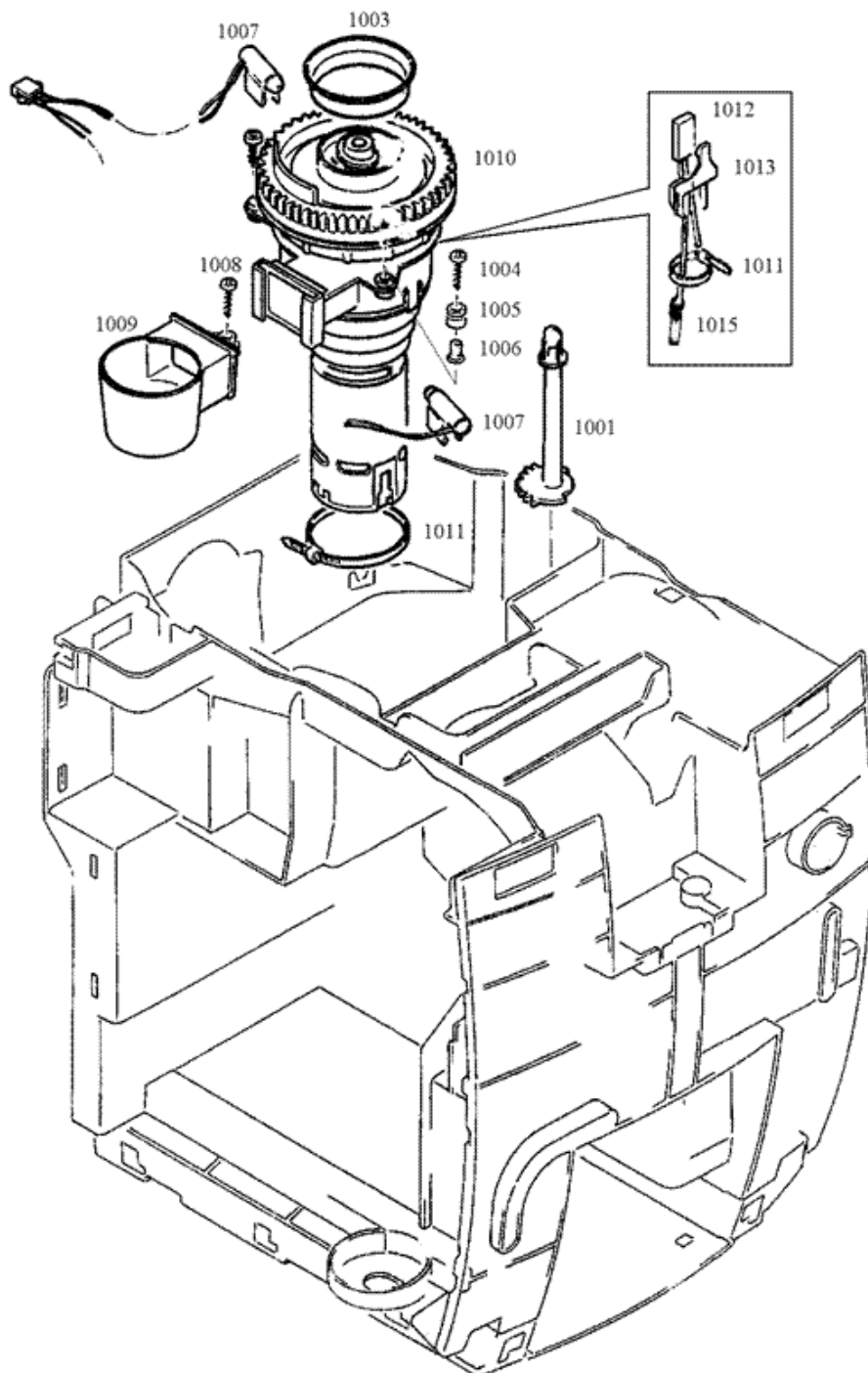
S13657\_09



Art.-Nr.	Pos	Designation	Variation	Stock	SC
	0901	Nut M6		X	
	0902	Heating support thermoblock		X	
	0903	Thermoblock 2003 230V/1400W		X	
	0905	Clamping spring D=1.3mm V2		X	
	0906	Holder		X	
	0909	Cable retaining clip		X	
	0910	Pt-screw nom dia 35 x 12		X	
	0911	Main-Switch cover		X	
	0912	Main switch		X	
	0913	Incoming feeder sw RoHS		X	
	0914	Elastic pad		X	
	0915	Washer M4 4.3x12.0x1.0		X	
	0916	Fillister head screw 3.5x12		X	
	0917	Silicone tissue hose 315mm		X	
	0918	Silicone tissue hose 210mm		X	
	0919	Screw M4x8		X	
	0920	Fuse clamp TB2001		X	
	0921	Screw M6x16 vz-bl Senk-K		X	
	0922	Sensor thermoblock complete		X	
	0923	Oval-headed screw M5x8 RoHS		X	
	0924	Lid TB2003		X	
	0925	Fused-cord EU 192C (1xE5)		X	
	0926	Fused-cord EU 192C (1xE5)		X	

(10) Grinder

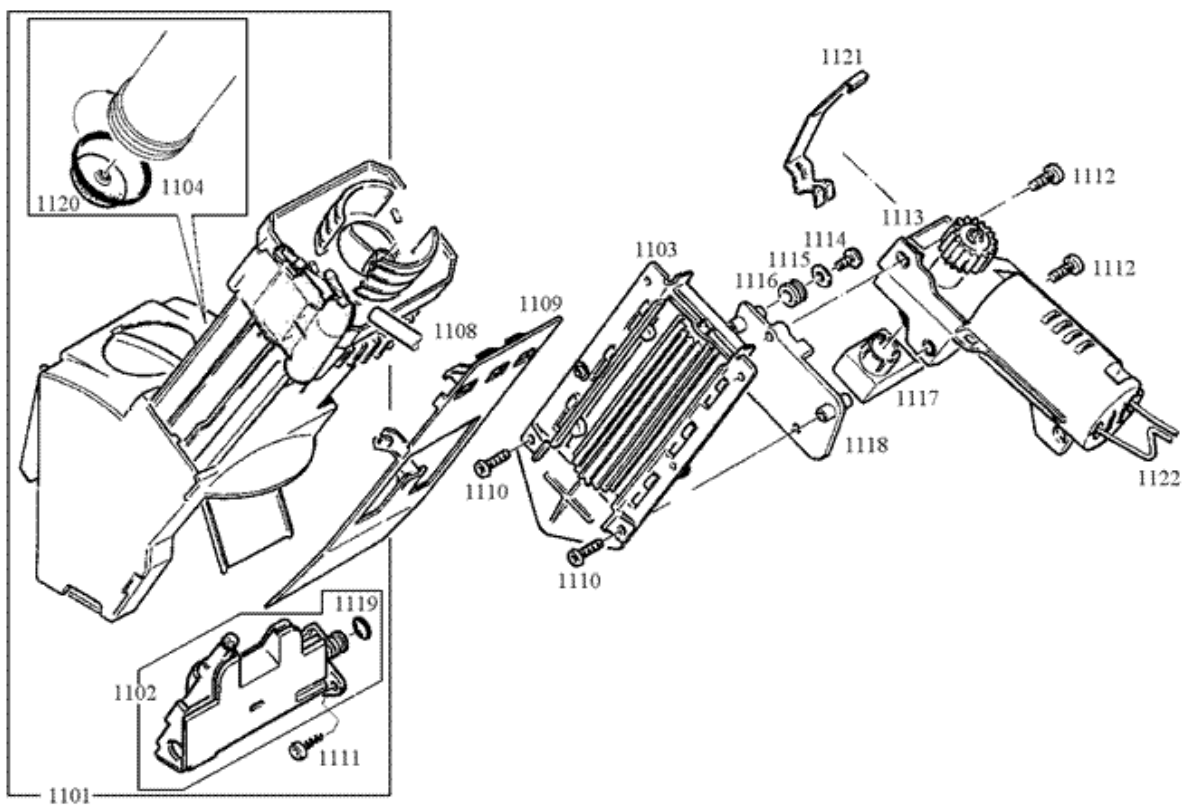
S13657\_10



Art.-Nr.	Pos	Designation	Variation	Stock	SC
	1001	Bar		X	
	1003	Collar		X	
	1004	Screw kst/PT		X	
	1005	Rubber buffer		X	
	1006	Tubular rivet 4x0.4x10 ms blan		X	
	1007	IR-Sensor for bean container		X	
	1008	Screw M3x10 Torx10		X	
	1009	Funnel black		X	
	1010	Grinder unit HS-PLUS 230V		X	
	1011	Tie-rap		X	
	1012	Current-temperature-limiter		X	
	1013	Support Current-temp.-limiter		X	
	1015	Insulation		X	

(11) Brew unit and drive

S13657\_11

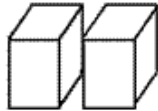


Art.-Nr.	Pos	Designation	Variation	Stock	SC
	1101	Brew unit assembled		X	
	1102	Drainage valve ready assembled		X	
	1103	Guide assembled quiet		X	
	1104	O-ring 100pcs (sep. 67313)		X	
	1104	O-ring brew unit		X	
	1108	Silicone hose 3.0x1.50x150		X	
	1109	Used ground blade V3		X	
	1110	Screw M4x14 vz-blau Li-K		X	
	1111	Fillister head screw 3.5x12		X	
	1112	Screw M5x12 vz-blau Li-K		X	
	1113	Geared motor		X	
	1114	Screw M4x 6 vz-blau Li-K		X	
	1115	Washer M4 4.3x12.0x1.0		X	
	1116	Elastic pad		X	
	1117	Encoder V2 RoHS		X	
	1118	Plate		X	
	1119	O-ring 5.0x3.0 EPDM		X	
	1120	Sieve V3		X	
	1121	Clamp to encoder		X	
	1122	Jumper cable 4col. J-line		X	

**(12) Supplement**

§13657\_12

1201



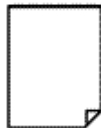
Verpackung/  
Packing

1210



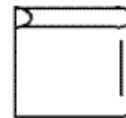
Betriebsmittel/  
Operational funds

1220



Hinweise/  
References

1240



Bedienungsanleitung/  
Operating instructions

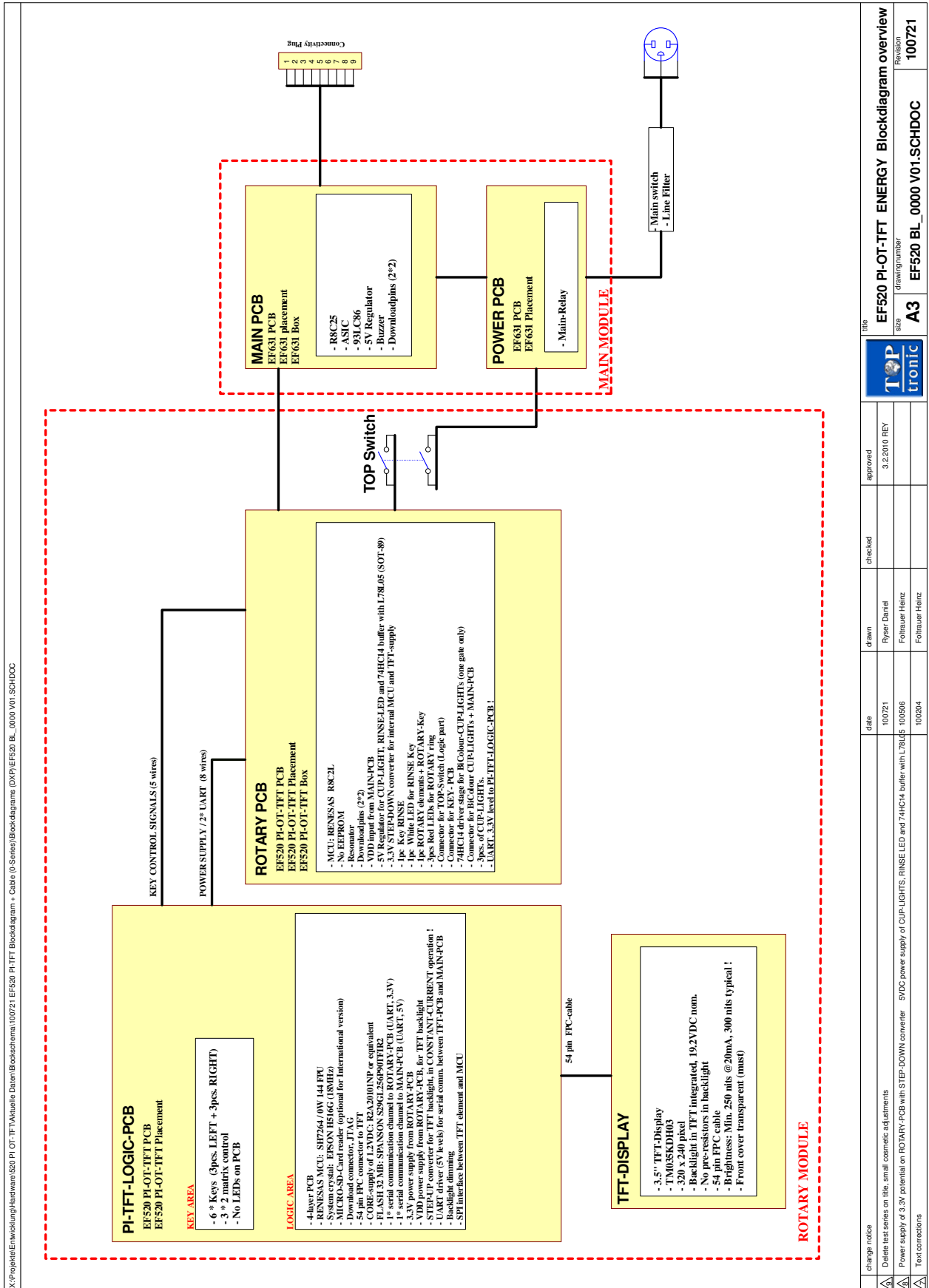


S13657 Impresa J9.3 chromium AROMA+ EU 230V/50Hz675  
[SCHUKO]

Edition: 09/05/12

Art.-Nr.	Pos	Designation	Variation	Stock	SC
LINKE	1201	Packaging	go SVPJ		
	1210	microfibre cloth white			
	1210	Quantimeter black		X	
	1210	Cleaning tablets		X	
	1220	Sticker grinder steps		X	
	1220	Hotline information sticker		X	
	1220	Guarantee Dom. 2-J EU		X	
	1240	Instructions J9.3 DE		X	

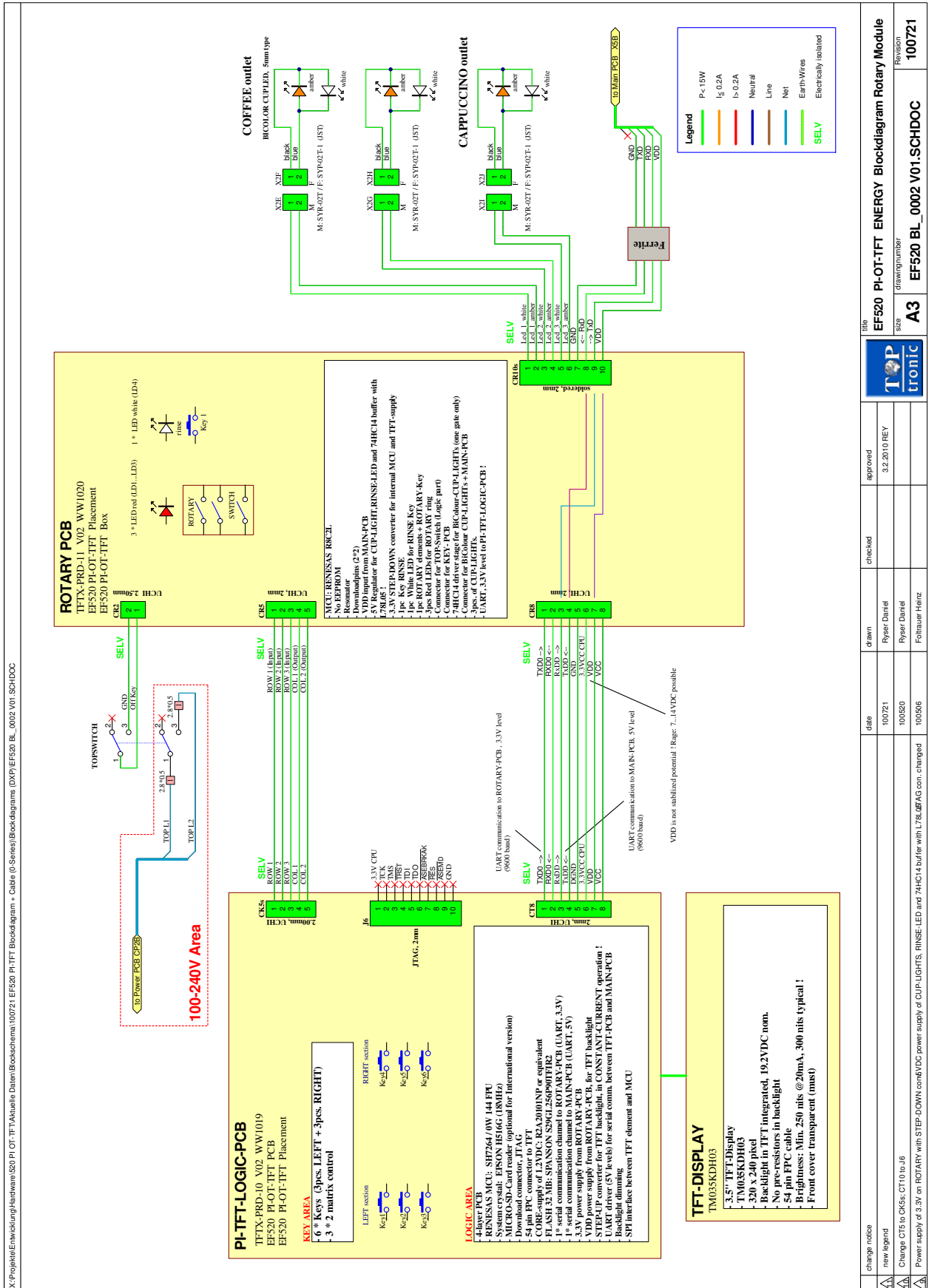
(1) Main diagram



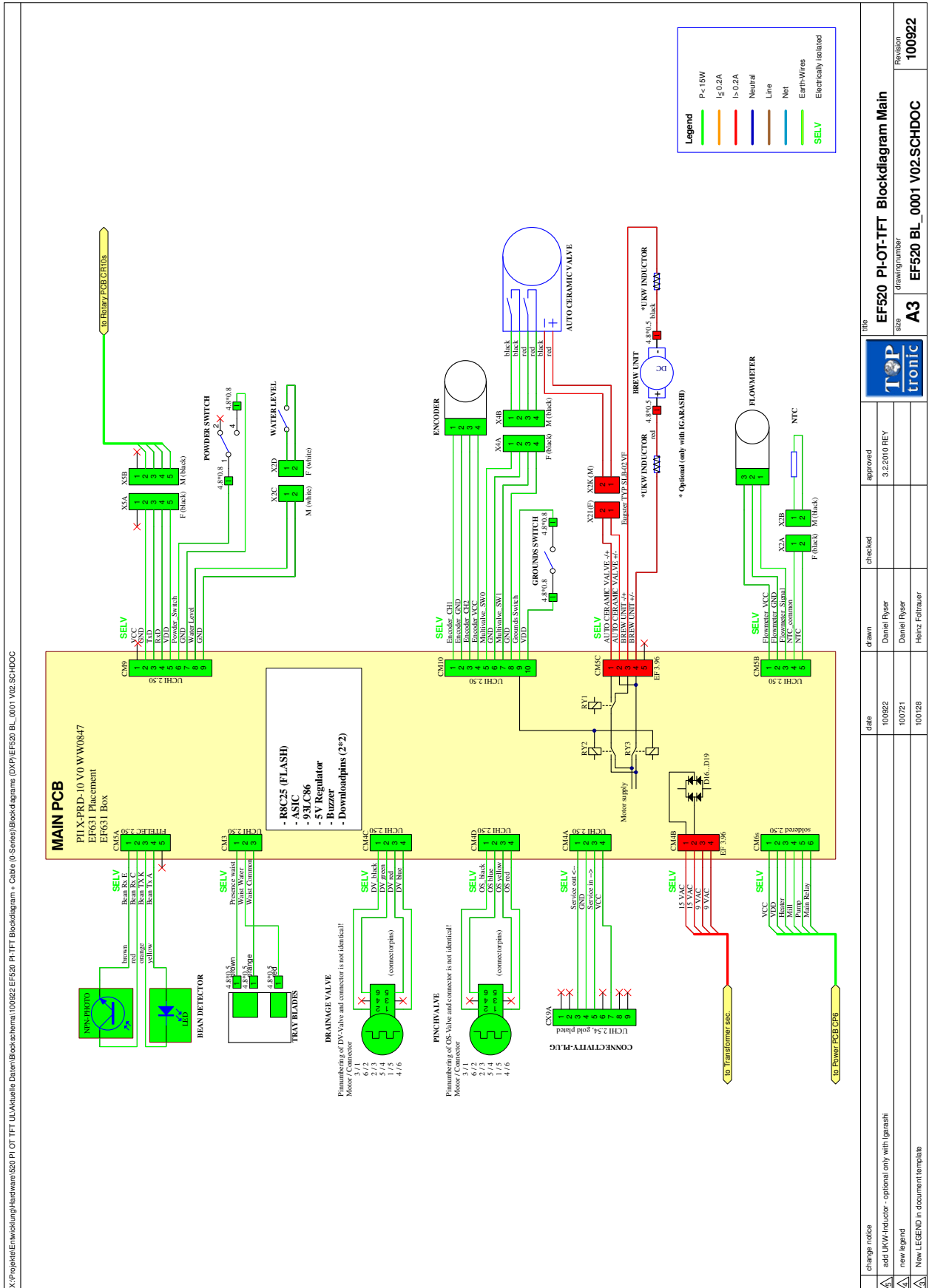
X:\Projekte\Entwicklung\Hardware\20 PI-OT-TFT\Aktuelle Daten\Blockdiagramme\100721 EF520 PI-TFT Blockdiagram + Cable (0-Series)\Blockdiagramme (DXP)\EF520 BL\_0000 V01.SCHDOC

change notice	date	drawn	checked	approved	title
	100721	Ryter Daniel		3.2.2010 REY	EF520 PI-OT-TFT ENERGY Blockdiagram overview
	100566	Pollauer Heinz			Revision
	100204	Follauer Heinz			100721
					draw number
					A3 EF520 BL_0000 V01.SCHDOC
					size
					A3
					TOP
					tronic

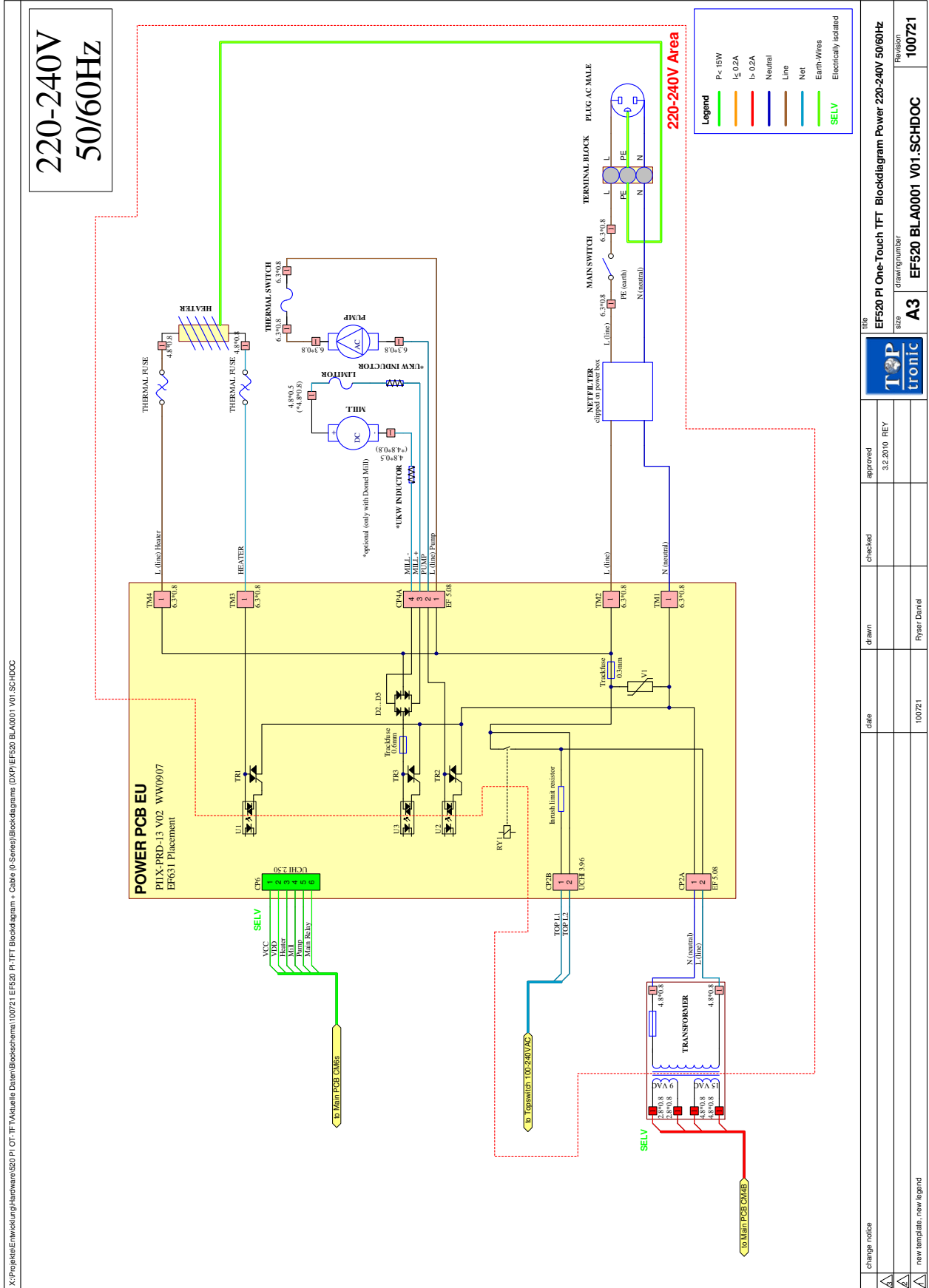
(2) Scheme display



(3) Scheme logic



(4) Scheme power



(5) Fluid System

