

# ONE

## Spare Parts Manual



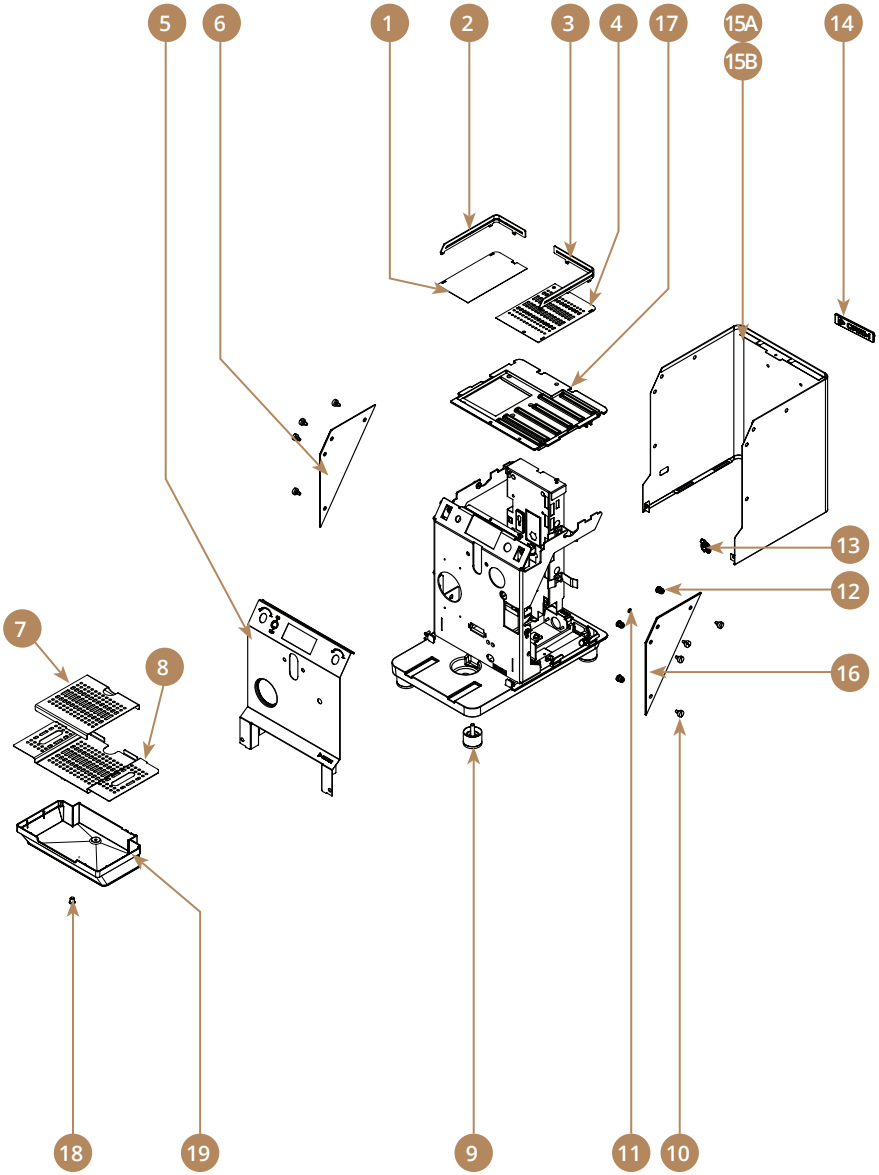
## ► CONTENTS

CONTENTS	2
MANUAL REVISIONS	3
HOUSING - ALL VERSIONS	4
HYDRAULIC SYSTEM - SINGLE BOILER VERSIONS	6
HYDRAULIC SYSTEM - DOUBLE BOILER VERSIONS	8
BOILER - SINGLE BOILER VERSIONS	10
STEAM BOILER - DOUBLE BOILER VERSIONS	12
COFFEE BOILER - DOUBLE BOILER VERSIONS	14
WATER TANK	16
VIBRATION PUMP WTN-NET	18
ROTARY VANE PUMP WTN-WT Pro	20
BREWING GROUP - ALL VERSIONS	22
STEAM TAP & WATER TAP	24
ELECTRICAL SYSTEM	26
ACCESSORIES	28

## ► MANUAL REVISIONS

Rev. #:	Date:	TSB#:	Change Description
01	June 14, 2019	none	First draft released for review.
02	June 20, 2019	none	Updates based on mechanical review.
03	July 11, 2019	none	Updates based on Technical Service review.
04	July 19, 2019	none	Second draft released for review.
05	Jan 9, 2020	none	Cleared up exploded drawing of single boiler and adjusted part list
06	Jan 14, 2020	none	Add part description of BREWING GROUP
07	Jan 21, 2020	none	Delete drip tray trim, add level probe label, change tablets picture
08	Feb. 06, 2020	none	Codes update
09	Feb. 14, 2020	none	Codes update

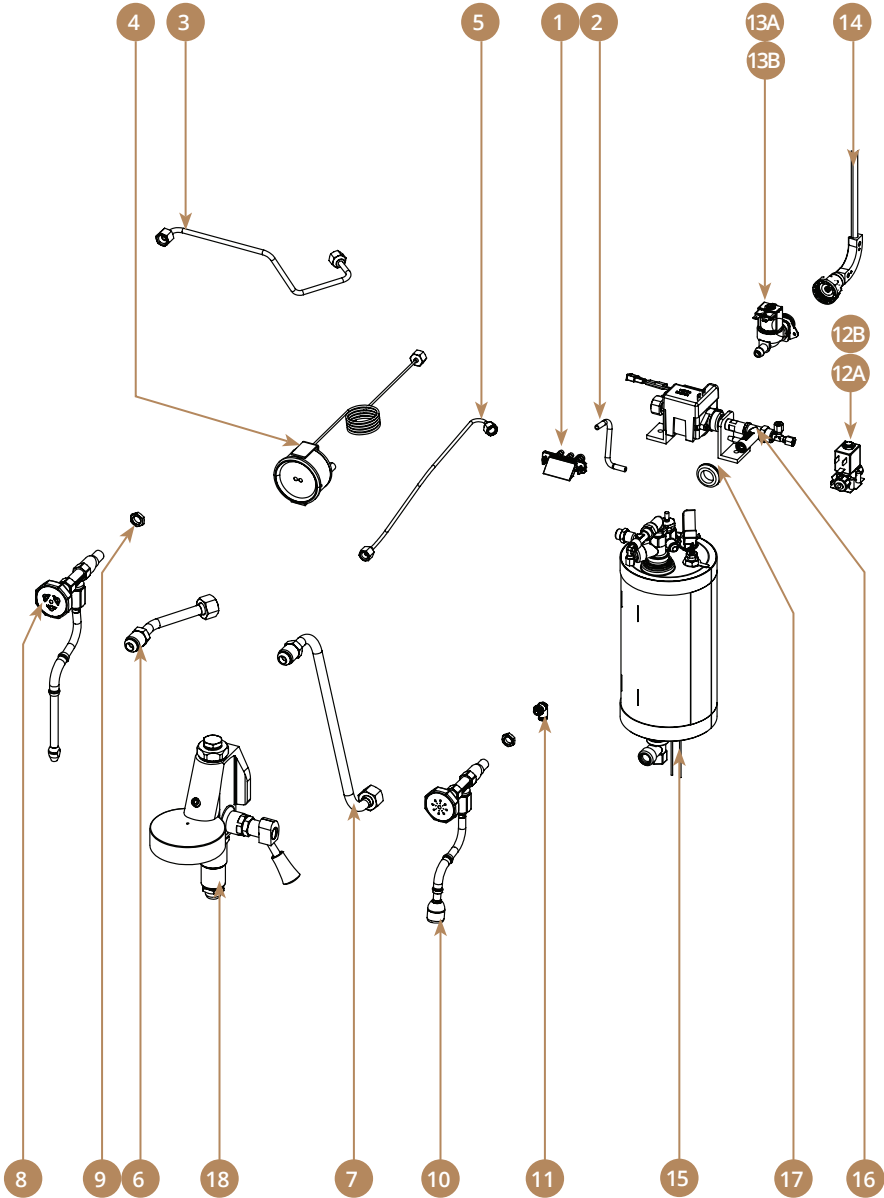
# ► HOUSING - ALL VERSIONS



## ► HOUSING - ALL VERSIONS

POS.	Part No.	Description
1	10000073	Water_Tank_Cover_1Gr_One
2	10001057	Cup_Tray_Left_Frame_1Gr_One
3	10001056	Cup_Tray_Reft_Frame_1Gr_One
4	10000074	Cup_Tray_1Gr_One
5	10000129	Front_Panel_Display_1Gr_One
6	10000440	Bodywork_Left_Trim_One_Trans
7	10000212	Central_Drip_Grill_1GR_One
8	10000211	Drip_Grill_1Gr_One
9	70000043	Foot_M8_D30SS
10	1461148	Styling_Screw_M5_with_Step
11	50000100	Oring_6.07x1.78
12	70000403	Allen_Head_M5F_Plug_One
13	1264626	USB_Cover
14	70300410	Crem_Welbilt_Anagram_05
15A	10000407	Bodywork_1GR_One
15B	10000408	Bodywork_One_Pro
16	10000450	Bodywork_Right_Trim_One_Trans
17	10000140	Bolier_Separator_1GR_One
18	25096661	Screw_FLT_PH_M6x10_SS
19	10000263	Drip_Tray_Final Assembly

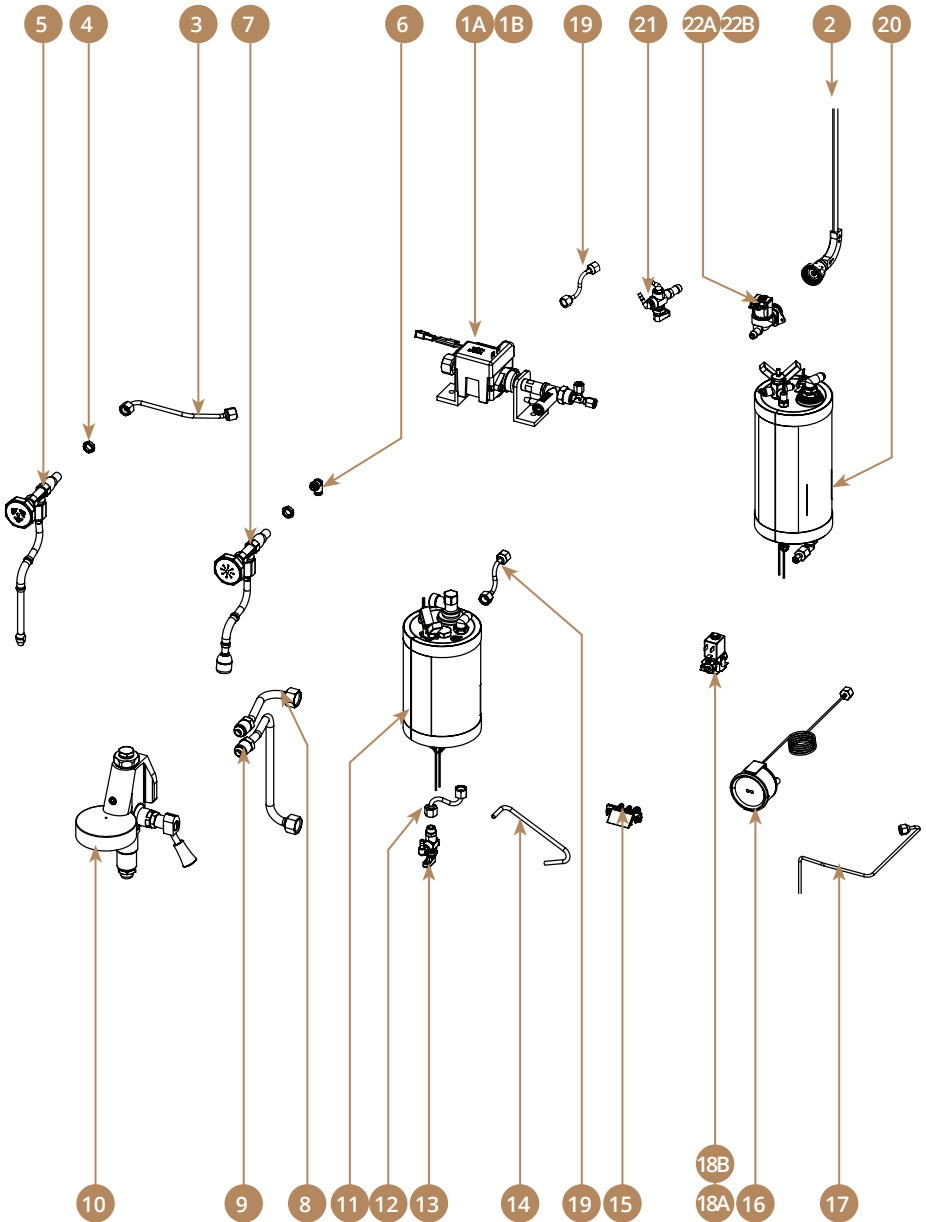
## ► HYDRAULIC SYSTEM - SINGLE BOILER VERSIONS



## ► HYDRAULIC SYSTEM - SINGLE BOILER VERSIONS

POS.	Part No.	Description
1	70001011	Drain_Water
2	35021000	Silicon_4*7_35021000_110mm
3	35020022	Pipe_D6_For_Steam_Tap_1B
4	60000050	Manometer_D60_G118M_G14F_W_Tube_16-2.5Bar
5	35110530	Pipe_D4_Manometer
6	35020005	Pipe_Group_Entry_1Gr
7	35020002	Pipe_Group_Return_1Gr
8	see specifi drawing	Steam_Tap_One_With_Knob
9	30100011	Hexagonal_Lock_Nut_G114
10	see specifi drawing	Water_Tap_One_With_Knob
11	30600017	S_Fitting_Swivel_G118M_T6
12A	60000126	ASSY_ELV_2Way_T4_230V_One
12B	60000127	ASSY_ELV_2Way_T4_120V_One
13A	120620	Inlet_Valve_G3_4M_1.8L_240V
13B	60000190	Inlet_Valve_G3_4M_1.8L_120V
14	35900210	Inlet_Hose_G3I4_G3I8
15	see specific drawing	Steam_Boiler_1B_PID_1.7L
16	see specific drawing	Vibration_Pump_Net_Assy
17	160536	Rubber_trp_30,0
18	15000000	ASSY_Lever_Group_One

## ► HYDRAULIC SYSTEM - DOUBLE BOILER VERSIONS

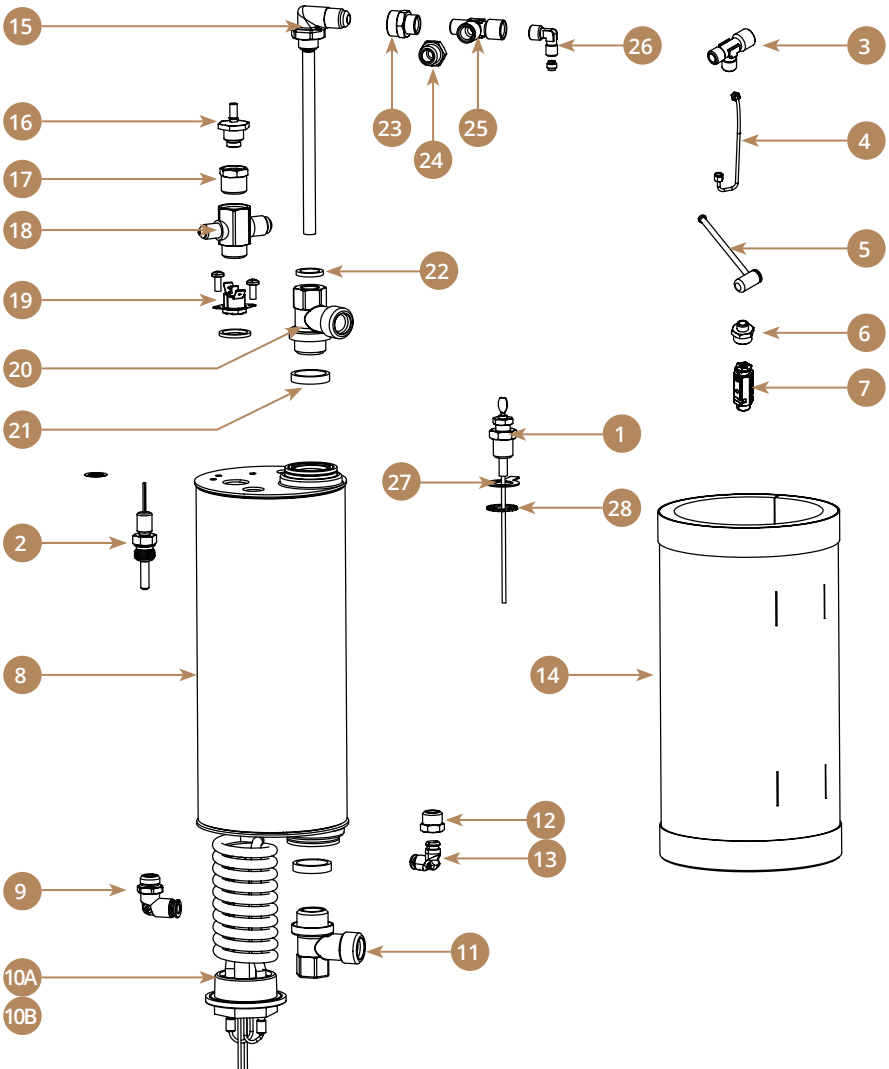




## ► HYDRAULIC SYSTEM - DOUBLE BOILER VERSIONS

POS.	Part No.	Description
1A	see specific drawing	Vibration_Pump_Net_Assy
1B	see specific drawing	Vibration_Pump_WTN-NET_Asy
2	35900210	Inlet_Hose_G3I4_G3I8
3	35020021	Pipe_D6_For_Steam_Tap_2B
4	30100011	Hexagonal_Lock_Nut_G1I4
5	see specifi drawing	Steam_Tap_One_With_Knob
6	30600017	S_Fitting_Swivel_G1I8M_T6
7	see specifi drawing	Water_Tap_One_With_Knob
8	35210115	Pipe_D12_Inlet_Group_Multiboiler
9	35040006	Mini_Left_Group_Return_Tube
10	15000000	ASSY_Lever_Group_One
11	see specific drawing	Coffee_Bolier_PID_1.5L
12	35020060	Pipe_D6_Empty_Bolier
13	15000311	Empty_Boiler_Tap
14	35021000	Silicon_4x7_L200mm
15	70001011	Drain_Water
16	60000050	Manometer_D60_G1I8M_G14F_W_Tube_16-2.5Bar
17	35110530	Pipe_D4_Manometer
18A	60000126	ASSY_ELV_2Way_T4_230V_One
18B	60000127	ASSY_ELV_2Way_T4_120V_One
19	35020050	Conexion_Calderas_Office
20	see specific drawing	Steam_Boiler_2B_PID_1.7L
21	15000312 (US only)	WT_Net_Tap
22A	120620	Inlet_Valve_G3_4M_1.8L_240V
22B	60000190	Inlet_Valve_G3_4m_1.8L_120v

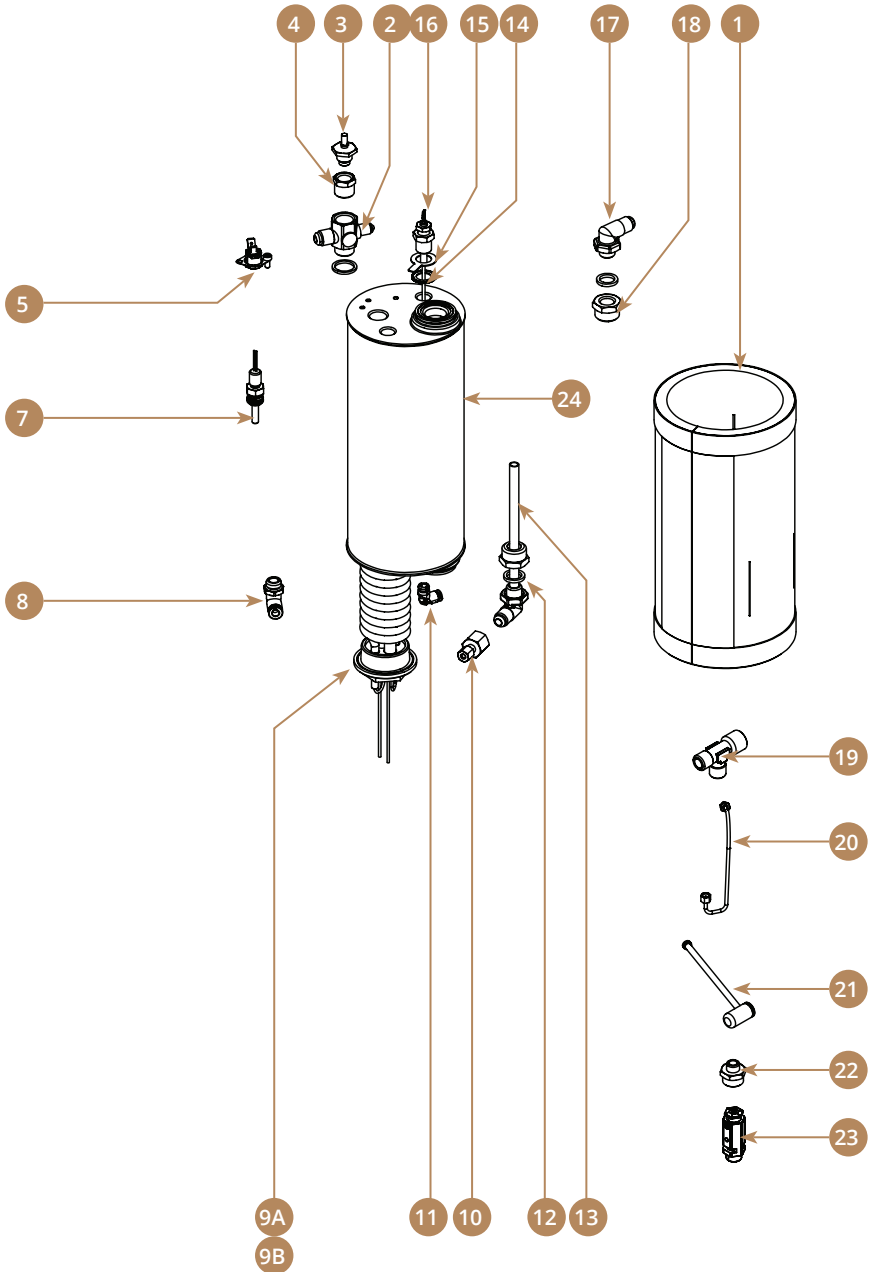
# ► BOILER - SINGLE BOILER VERSIONS



## ► BOILER - SINGLE BOILER VERSIONS

POS.	Part No.	Description
1	60100040	Water_Level_Probe
2	60100076	Temp.Prob+SUSP_Steam_Pipe
3	30000405	Fitting_T_G114M_G114M_G114F
4	35020070	Safety_Valve_Tube_D6_One
5	1560003	Safety_Valve_Protector
6	30700030	Reducer_G318F_G114M
7	65000115	Valvula_Seguridad_C10/A-3/8_NGI
8	15100002	Office Boiler 1.7L
9	30600013	Aut_Elbow_Swivel_Racor_G1_4M-T6
10A	38020001F	Element_2000W_230V_With_Fuse
10B	38012005F	Element_1400W_120V_With_Fuse
11	30000203	Thermic_Adaptor_(x2)_G112M_M6M
12	30000009	Fitting_Reducer_G114M_G118F
13	30600008	Aut_Elbow_Racor_R1_8_T4
14	10200305	Steamer_Bolier_Insulation
15	30000220	Cone Injector1/4
16	65000210	Vacuum_Valve
17	30000003	G318xG114_Straight_Joint
18	30000100	Fitting_G318MxG114F_G118MxG114M
19	10200110	Thermostat_Cut-Out_Surface
20	30000210	Fitting_Elbow_G112MxG112MxG114F_H.Exchange
21	50010010	Gasket_G112M_25.7x21.1x5
22	50010020	Gasket_13.2x18.2x2.5
23	30400084	Fitting_Reducer_G114F_G118F
24	30000036	Reducer_G114M_G118M
25	30000404	Fitting_T_G118M_G118F_G118F
26	30700060	Elbow_Comp_G118M_T4
27	25000003	Washer_Ground_Level_Probe
28	25679812	Washer Serrated Lock M12 DIN 6798-A

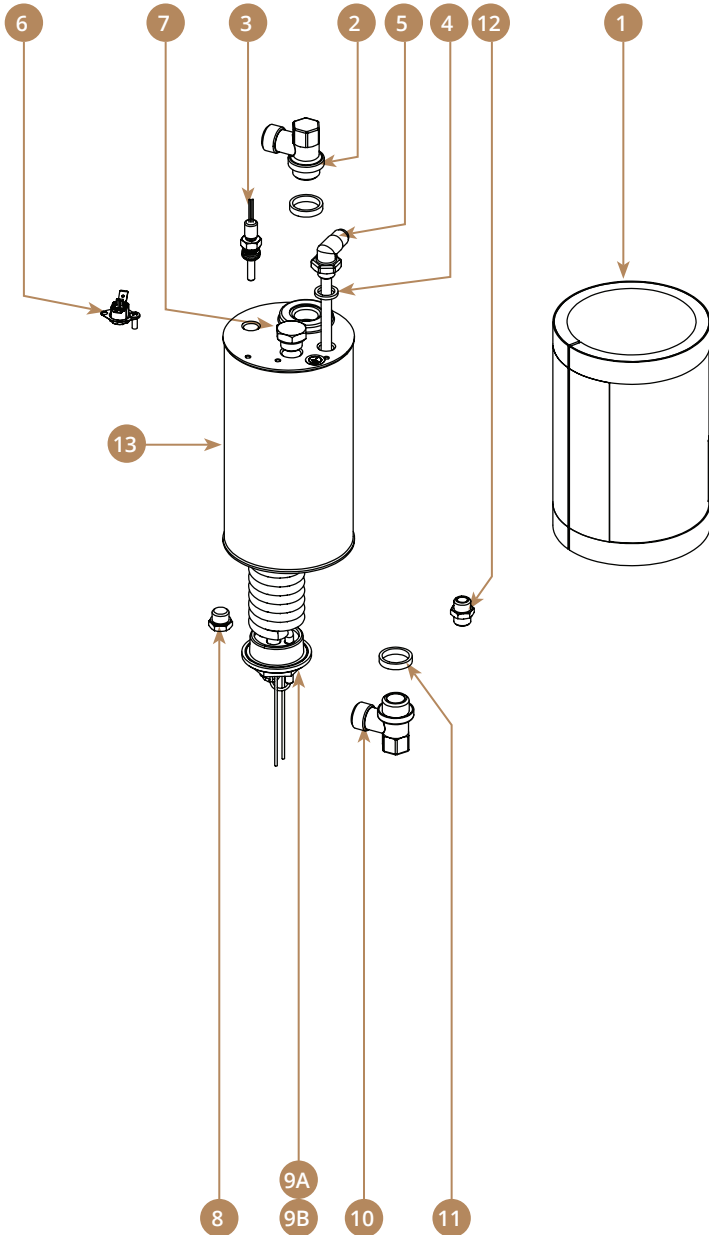
## ► STEAM BOILER - DOUBLE BOILER VERSIONS



## ► STEAM BOILER - DOUBLE BOILER VERSIONS

POS.	Part No.	Description
1	10200305	Steamer_Bolier_Insulation
2	30000100	Fitting_G3I8MxG1I4F_G1I8MxG1I4M
3	65000210	Vacuum_Valve
4	30000003	G3I8xG1I4_Straight_Joint
5	10200110	Thermostat_Cut-Out_Surface
6	50010080	Gasket_G3/8M_21x16.8x2
7	60100076	Temp.Prob+SUSP_Steam_Pipe
8	30600013	S_Fitting_Elbow_G14M_T6
9A	38020001F	Element_2000W_230V_With_Fuse
9B	38012005F	Element_With_Fuse_1400W_120V
10	30700200	Compression_Racor_G1I4M_T4
11	30600008	Aut_Elbow_Racor_R1_8_T4
12	50010020	Gasket_13.2x18.2x2.5
13	30000220	Fitting_G1I4MxG1I4M_Inyector_H.Exchange
14	25679812	Washer Serrated Lock M12
15	25000003	Washer_Ground_Level_Probe
16	60100040	Water_Level_Probe
17	30000215	Fitting_Elbow_Conical_G1I4MxG1I4M
18	30000011	Fitting_Connector_G1I2M_G1I4
19	30000405	Fitting_T_G1I4M_G1I4M_G1I4F
20	35020070	Safety_Valve_Tube_D6_One
21	1560003	Safety_Valve_Protector
22	30700030	Reducer_G3I8F_G1I4M
23	65000115	Valvula_Seguridad_C10/A-3/8_NGI
24	15100002	Office Boiler 1.7L

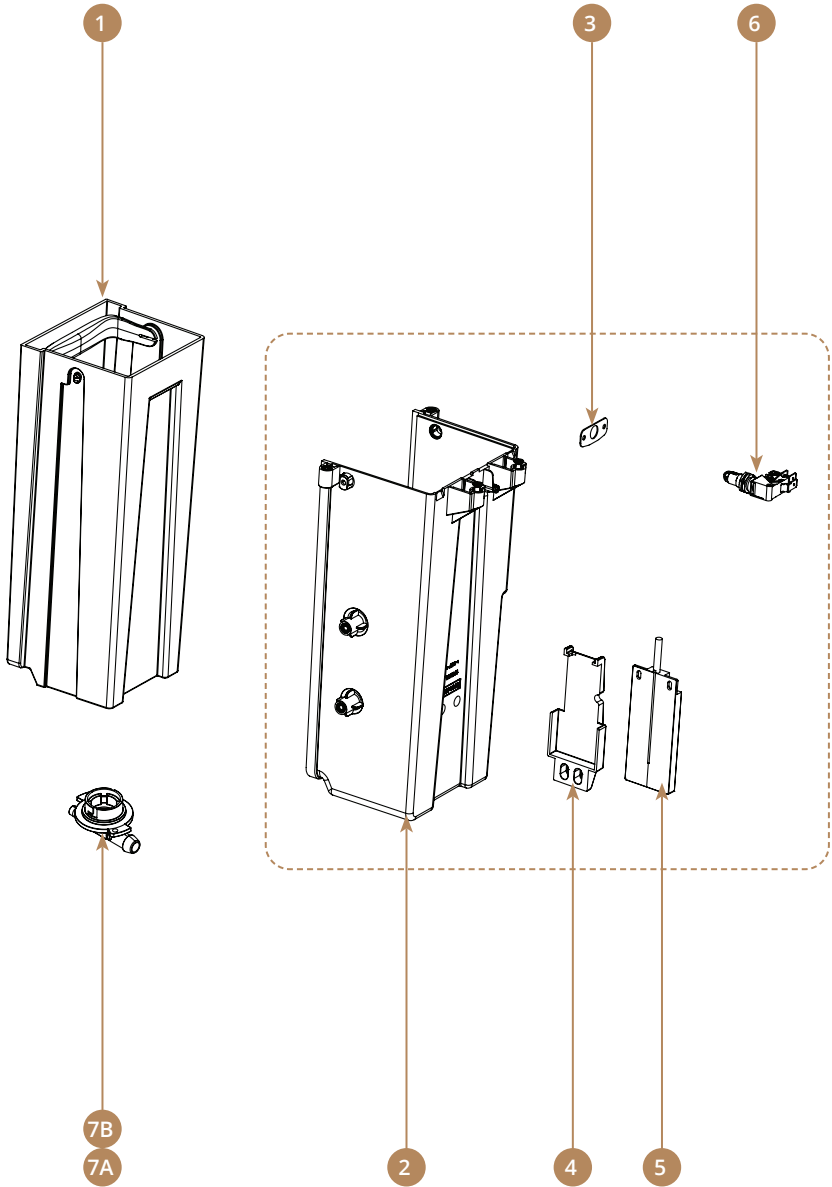
## ► COFFEE BOILER - DOUBLE BOILER VERSIONS



## ► COFFEE BOILER - DOUBLE BOILER VERSIONS

POS.	Part No.	Description
1	1260017	Insulation_Office_Boiler
2	30000200	Fitting_Elbow_G112MxG112M_H.Exchange
3	60100076	Temp.Prob+SUSP_Steam_Pipe
4	50010020	Gasket_13.2x18.2x2.5
5	30000220	Fitting_G114MxG114M_Inyector_H.Exchange
6	10200110	Thermostat_Cut-Out_Surface
7	30000290	Blind_Plug_G318M
8	30000300	Blind_Plug_G114
9A	38020001F	Element_2000W_230V_With_Fuse
9B	38012005F	Element_With_Fuse_1400W_120V
10	30000203	Thermic_Adaptor_(x2)_G112M_M6M
11	50010010	Gasket_G112M_25.7x21.1x5
12	30500200	Nipple_G114M
13	15100010	Coffee_Cappucinador_Boiler_1.5L

# ► WATER TANK

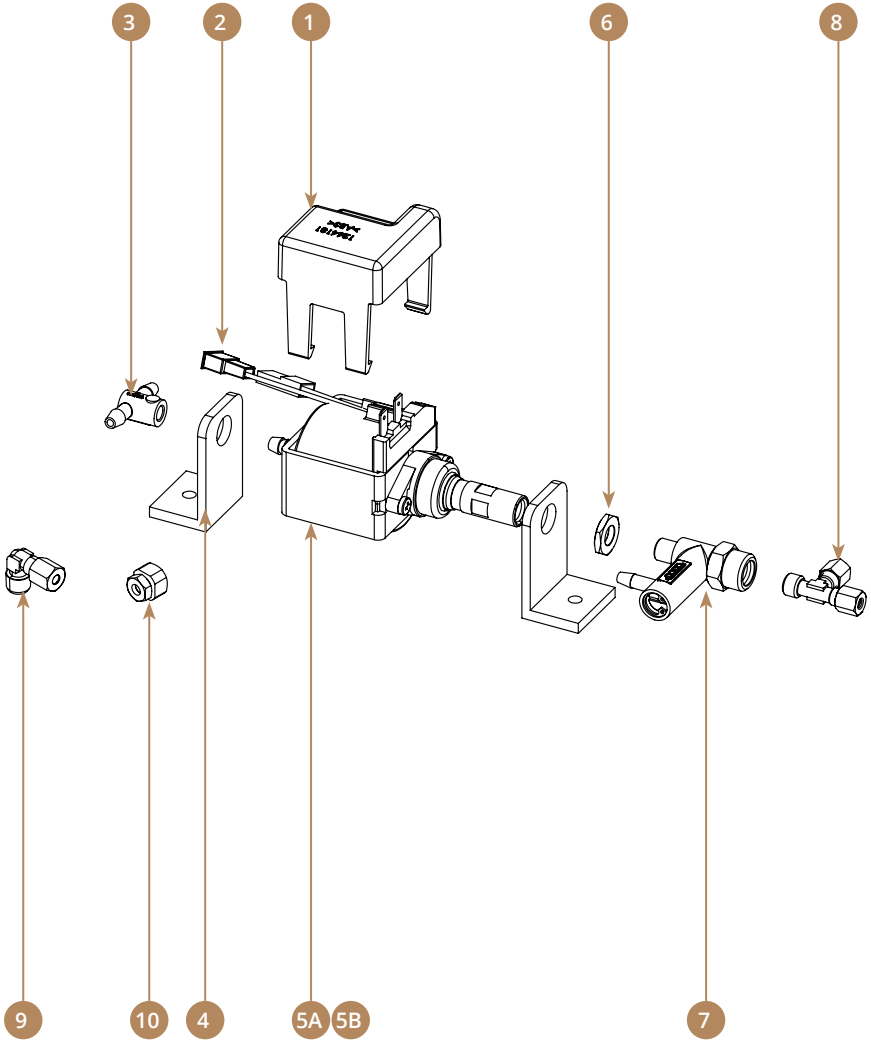




**► WATER TANK**

<b>POS.</b>	<b>Part No.</b>	<b>Description</b>
1	2760065	Water_Tank_Assembly
2	1264344	Tank_Divider_Quartz_OT
3	20010240	Miniswich_Support_Tank_Cover_Quartz
4	10004260	Capacitive_Level_Probe_Support_Sys
5	60100043	Sonda_Nivel_Capacitiva
6	60900032	Miniswitch_Piston_Roldana_10A
7A	30369200	Valve_Distributor_of_Tank_Quartz
7B	30369203	Tank_Distributor_2Way

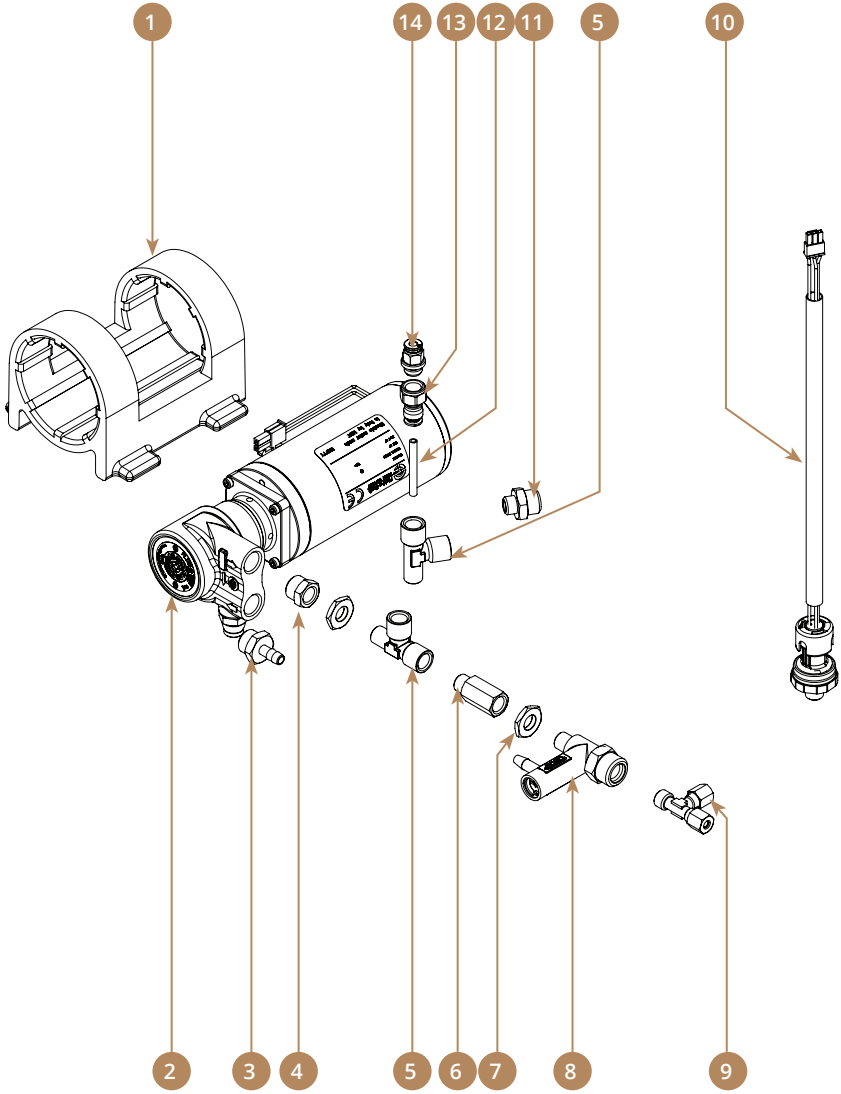
# ► VIBRATION PUMP WTN-NET



## ► VIBRATION PUMP WTN-NET

POS.	Part No.	Description
1	1264181	Peristaltic_Pump_Cover_Quartz
2	10200142	Thermal_Motor Protector Office
3	1264340	Vibratory_Pimp_T_Inlet_Connector
4	30400060	Soportel_Bomba_Office
5A	10036421	Piston_Pump_PX50_Heavy_Duty_(100k_cycles)_230V
5B	60000047	Vibation_Pump_G118F_120V_60HZ
6	30100029	Hexagonal_Lock_Nut_G118F_Hex17
7	30400055	Bypass_Assembly
8	30700080	T_Compression_Racor_G118M_(x2)T4
9	30700060	Compression_Elbow_G118M-T4
10	30400100	Raccord_Connection_Bomba_Net

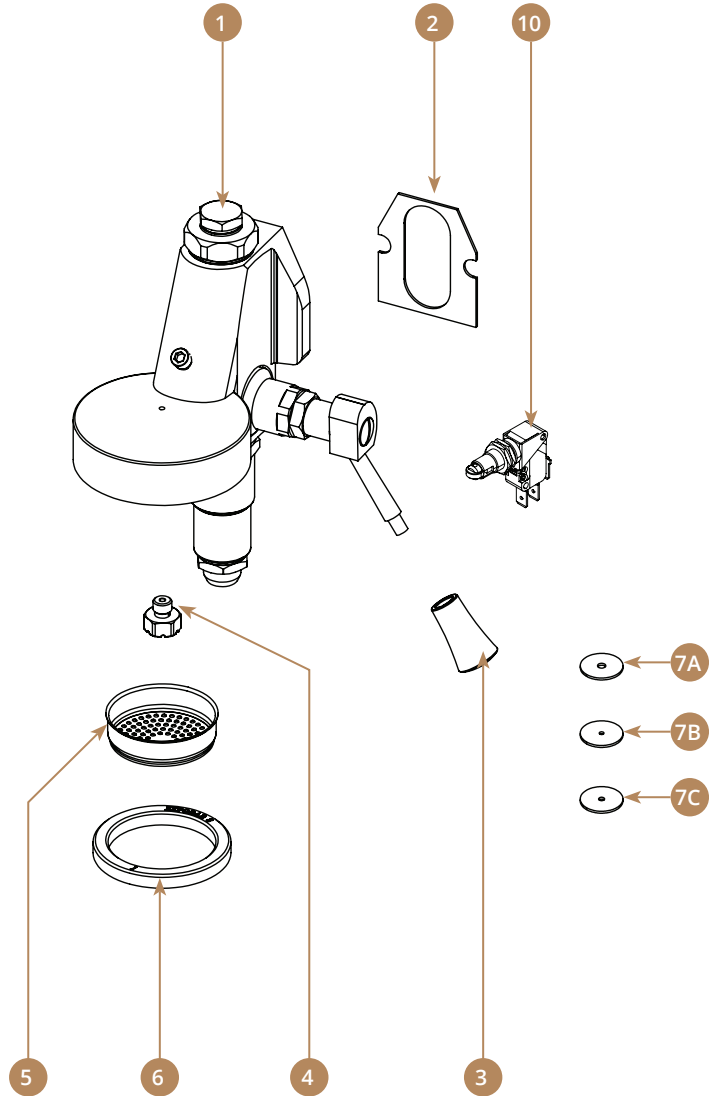
## ▶ ROTARY VANE PUMP WTN-WT Pro



## ► ROTARY VANE PUMP WTN-WT Pro

POS.	Part No.	Description
1	50100020	U_Pump_Motor_hydraulic_block
2	60000021	Rotary_Pump_Motor_24V
3	30700002	Fitting_Straight_G114M_ST6
4	30000009	Fitting_Reducer_G114M_G118F
5	30000404	Fitting_T_G118M_G118F_G118F
6	65000011	Valvula_Retencion_G118M_G118F
7	30100029	Hexagonal_Lock_Nut_G118F_Hex17
8	30400055	Bypass_Assembly
9	30700080	T_Compression_Racor_G118M_(x2)T4
10	10036664	Sensata_PS_118M
11	30000036	Reducer_G114M_G118M
12	35021016	PTFE_Tube_4x2
13	30600011	S_Fitting_Straight_G118F_T4
14	30600010	Aut_Straigha_Racor_G118M-T4

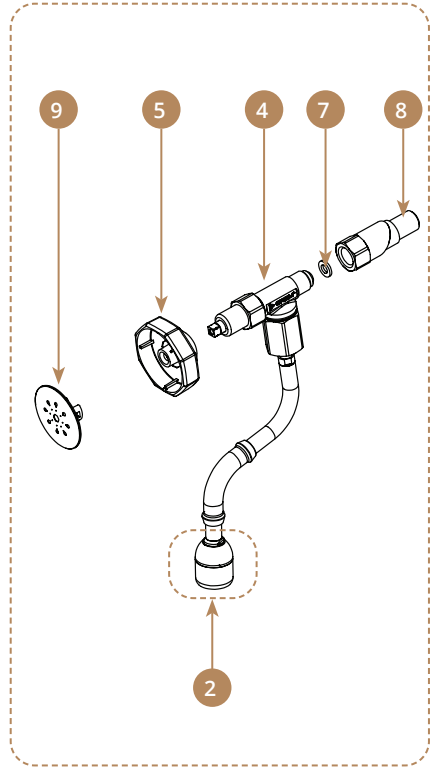
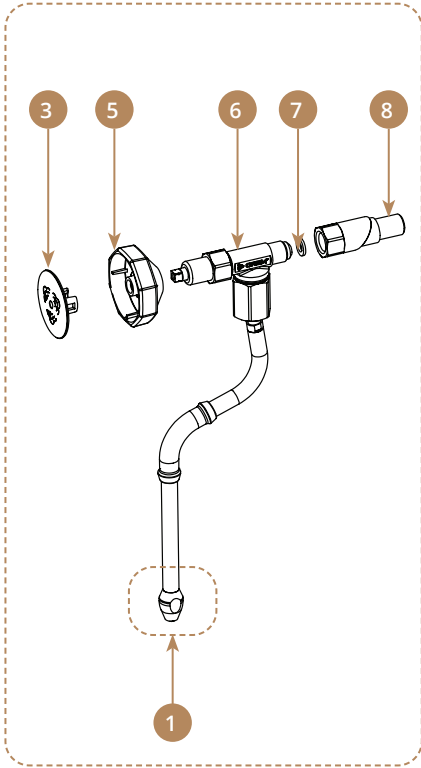
# ► BREWING GROUP - ALL VERSIONS



## ► BREWING GROUP - ALL VERSIONS

POS.	Part No.	Description
1	15000000	Leva_Brewing_Group_Body_Dimensional
2	50000010	Green_Body_Flat_Group_Joint
3	40000062	Lever_Group_Knob_One
4	30200040	Difusser_Brewing_Group_Espresso
5	75000010	Shower_Brewing_Group_Espresso
6A	75000081	Gasket_Brewing_Group_Espresso
6B	75000083	8.5mm_Group_Head_Gasket
6C	75000085	9mm_Group_Head_Gasket
7A	50020000	3.5*18.2*1_Teflon_Hot_Water_Reducto
7B	50020010	Hot_Water_Reducto_Espresso 2*18.2*1
7C	50020020	2.5*18.2*1_Teflon_Hot_Water_Reducto
10	60900032	Group microswitch

## ► STEAM TAP & WATER TAP

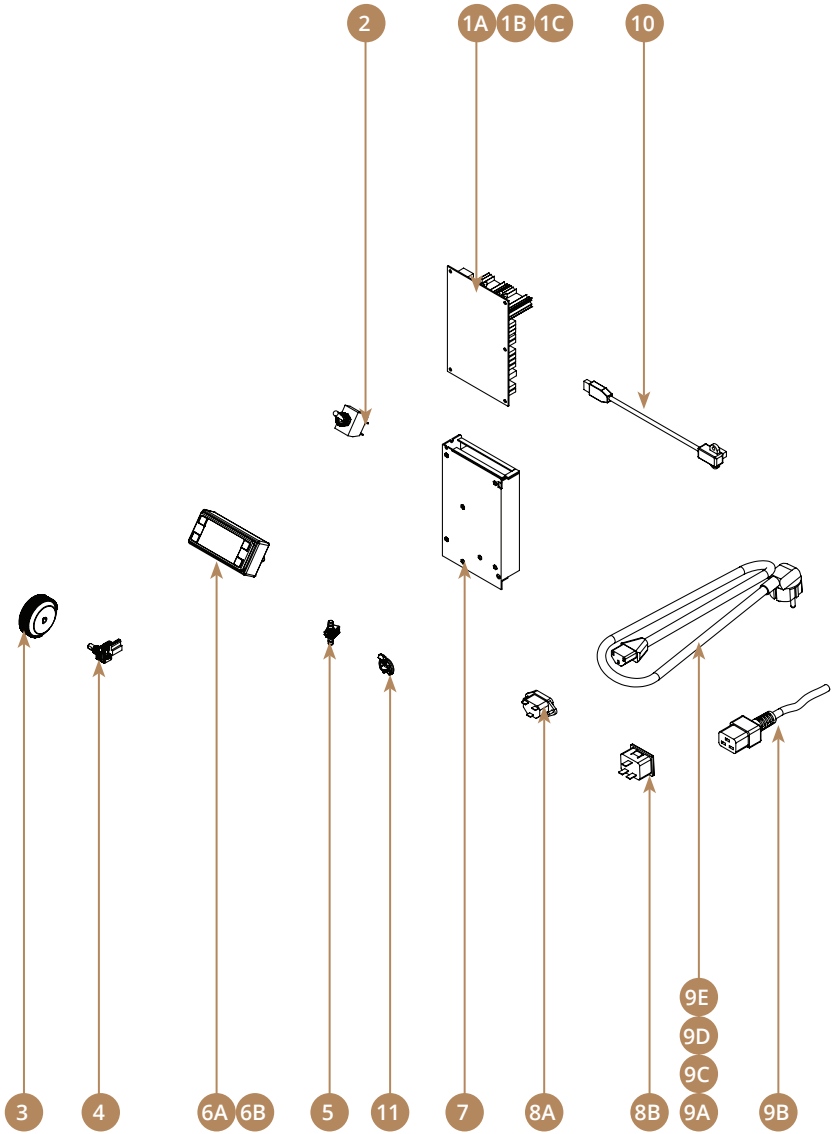




## ► STEAM TAP & WATER TAP

POS.	Part No.	Description
1	30370185	Nozzle_Steam_Tap_2H_8.5mm
2	30000050	Nozzle Water Tap Complete
3	30370133	Steam_Anagram_Tap_Knob_One
4	15000411	Water_Tap_One
5	40000072	Steam_Water_Tap_Knob_One
6	15000401	Steam_Tap_One
7	50010002	Gasket_PTFE_D11x6x1.5_One
8	30370058	Extension_Racor_G114M-G114F-G118F
9	30370123	Water_Anagram_Tap_Knob_One

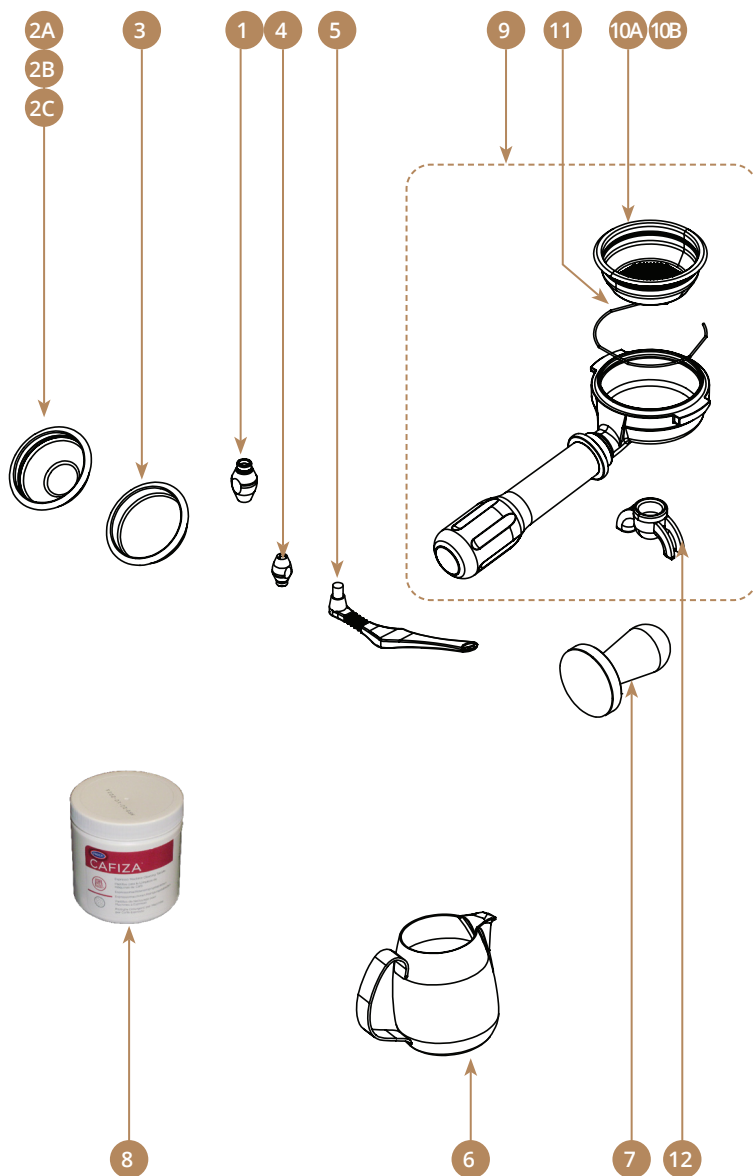
# ▶ ELECTRICAL SYSTEM



## ► ELECTRICAL SYSTEM

POS.	Part No.	Description
1A	60100221	Switch_Board_PCBA_2B_One_Pro
1B	60100220	Switch_Board_PCBA_1B_240V
1C	60100222	Switch_Board_PCBA_120V_One
2	60900080	Interruptor_Palanca_Office_Leva
3	40000001	Pressure_Adjustable_knob_One
4	60100231	Rotary_Encoder
5	60100052	Flowmeter_Nano_Plastic_D6
6A	2760495	Keyboard_4Buttons_One
6B	2760496	Keyboard_2Buttons_One
7	1660147	Power_Supply_MW_LRS-150-24 150W
8A	160571	Power Socket with filter
8B	10018386	plug_C20_1,5mm
9A	1666043	Power_Cord_Europe_16A_250V_Straight
9B	10037555	KBPSL_power_cord_C19_UL
9C	1605002	Power Cord UK
9D	1605001	Power Cord China
9E	1605674	Power Cord Australia
10	6165182	USB_Port_EC_Touch
11	1264626	USB_Cover

## ► ACCESSORIES



## ► ACCESSORIES

POS.	Part No.	Description
1	30370185	2H Nozzle
2A	75000031	1 Cup Filter(7Gr)
2B	75000037	1 Cup filter 6.5Gr
2C	75000059	1 Cup filter 6Gr
3	75000020	Filter_Blind_Metal
4	30370195	Nozzle_Steam_Tap_3H_M8.5
5	1964024	Brush
6	1964014	Milk_Jar_350ml
7	1964026	Coffee Tamper
8	1104172	Cleaning tablets
9	75001513	CPT_Portafiler_One
10A	75000041	Filter_2Cup_14Gr
10B	75000048	Filter_3Cup_18Gr
11	75000120	Filter_Spring
12	75000067	Spout_2_Cups_Small



Produced by Crem International (Shanghai) Co., Ltd.  
Address: Building 5, No 521-551 KangYi Road, Pudong New Area, Shanghai, China

[www.creminternational.com](http://www.creminternational.com)