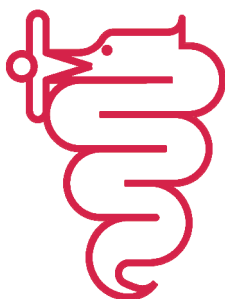


# UNICA



**BEZZERA**

Dal 1901

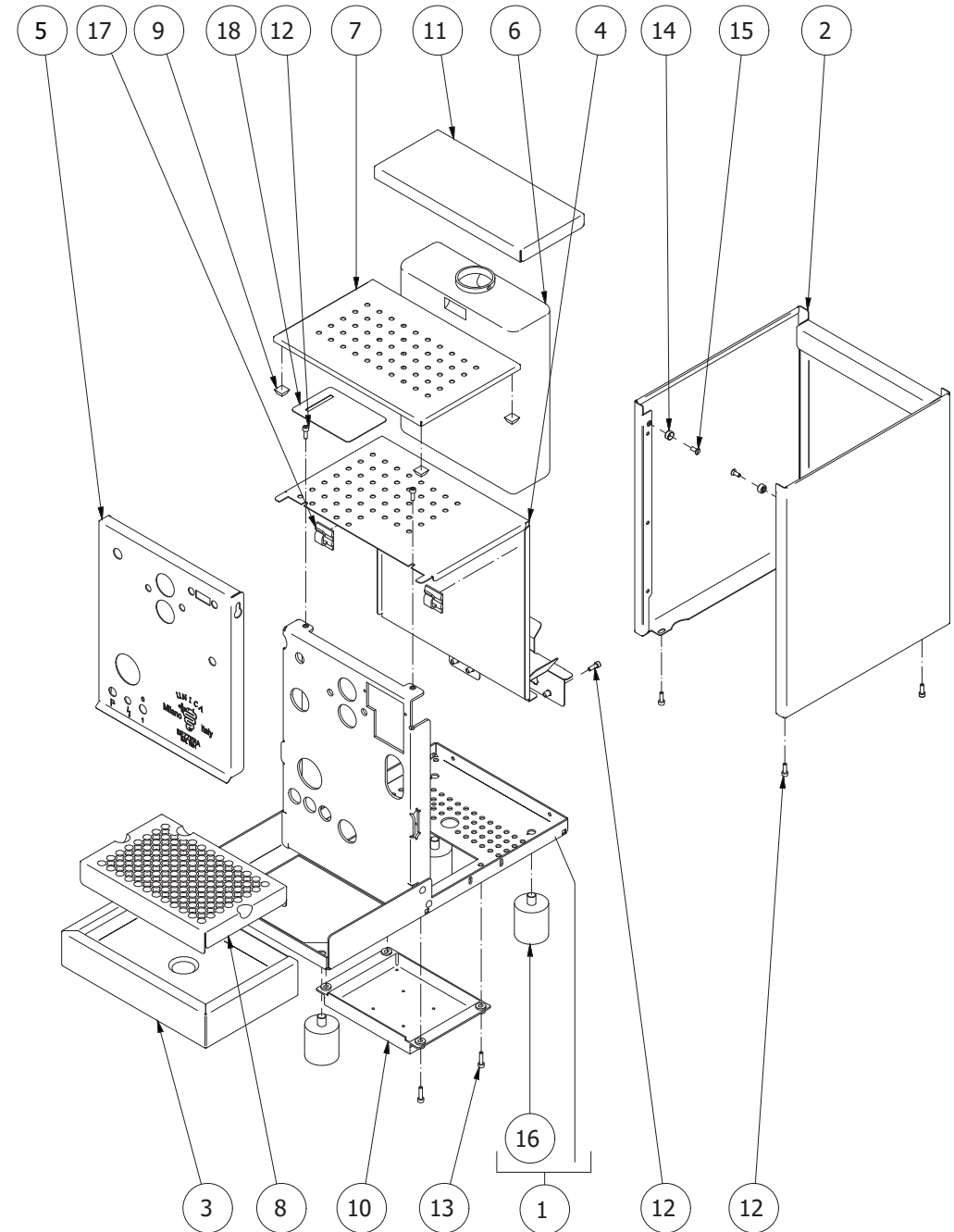
**COD. 9942055.03**

**REV.00**

TAB. 1 (up to 30.11.15)

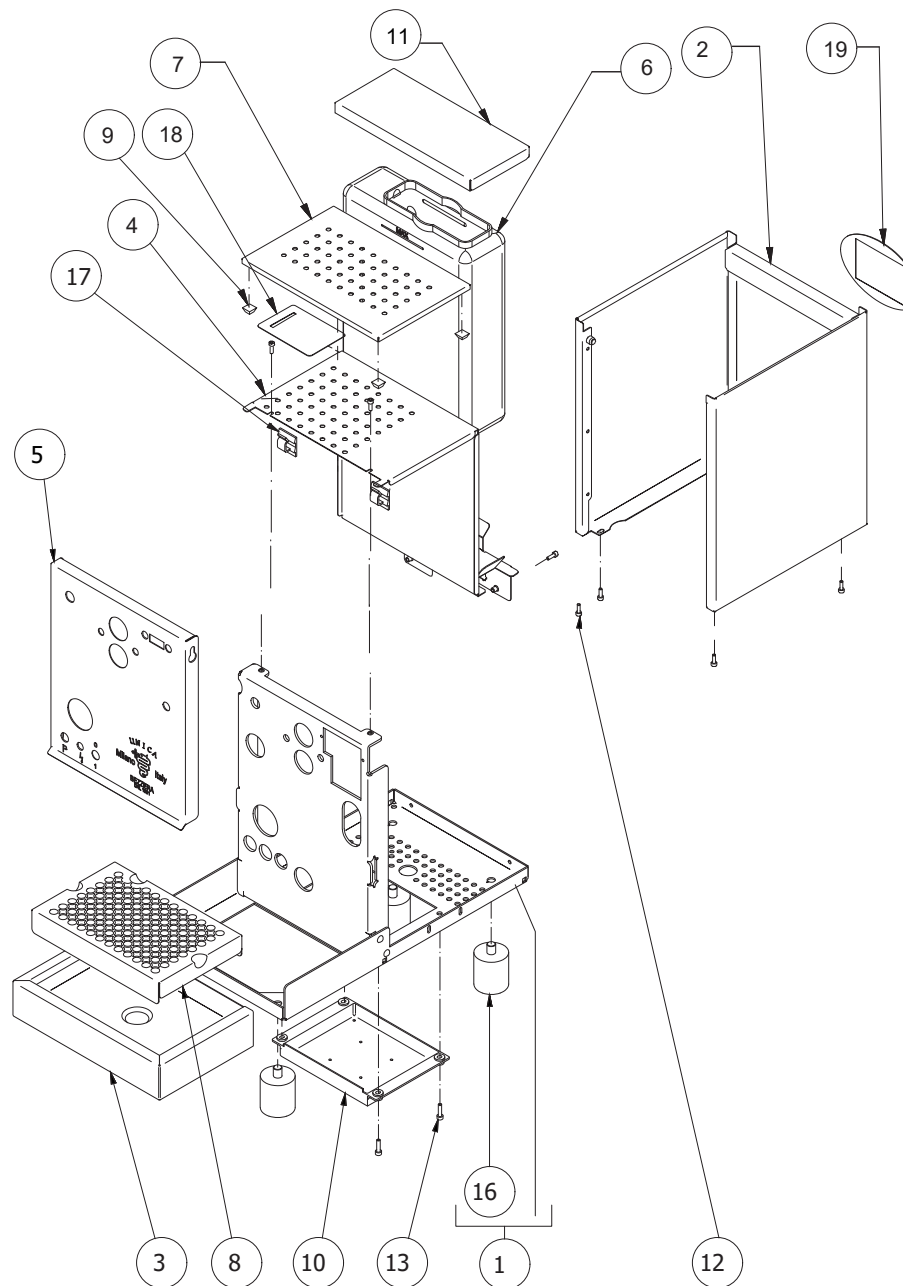
POS	CODE	DESCRIPTION
1	5964627.01	ASSEMBLY CHASSIS
2	5071733LL	BODY STAINLESS STEEL POLISHED
3	5340510	DRIP TRAY
4	5963068.03	TANK SUPPORT
5	5074476.01SG	GROUP FRONTAL
6	7373009	TANK 3 LT. CAPACITY
7	5074621LW	CUPS-HEATER GRID BZ07 BA
8	5074634LW	DRAIN GRID
9	7474217	ADHESIVE FEET
10	5373102.01	HEATING ELEMENT PROTECTION
11	5073020LW	TRAY COVER STAINLESS
12	7816002	SCREW TCEI M4X12
13	7816004	SCREW TCEI M4 X 16
14	5220818	BUSHING D10 X 4.2 OT
15	7817004	SCREW TPS M4X10
16	7474218	FOOT
17	7611517	CLAMP
18	5125705	SUPPORT

TAB. 1 (up to 30.11.15)



**TAB. 1 (from 01.12.15)**

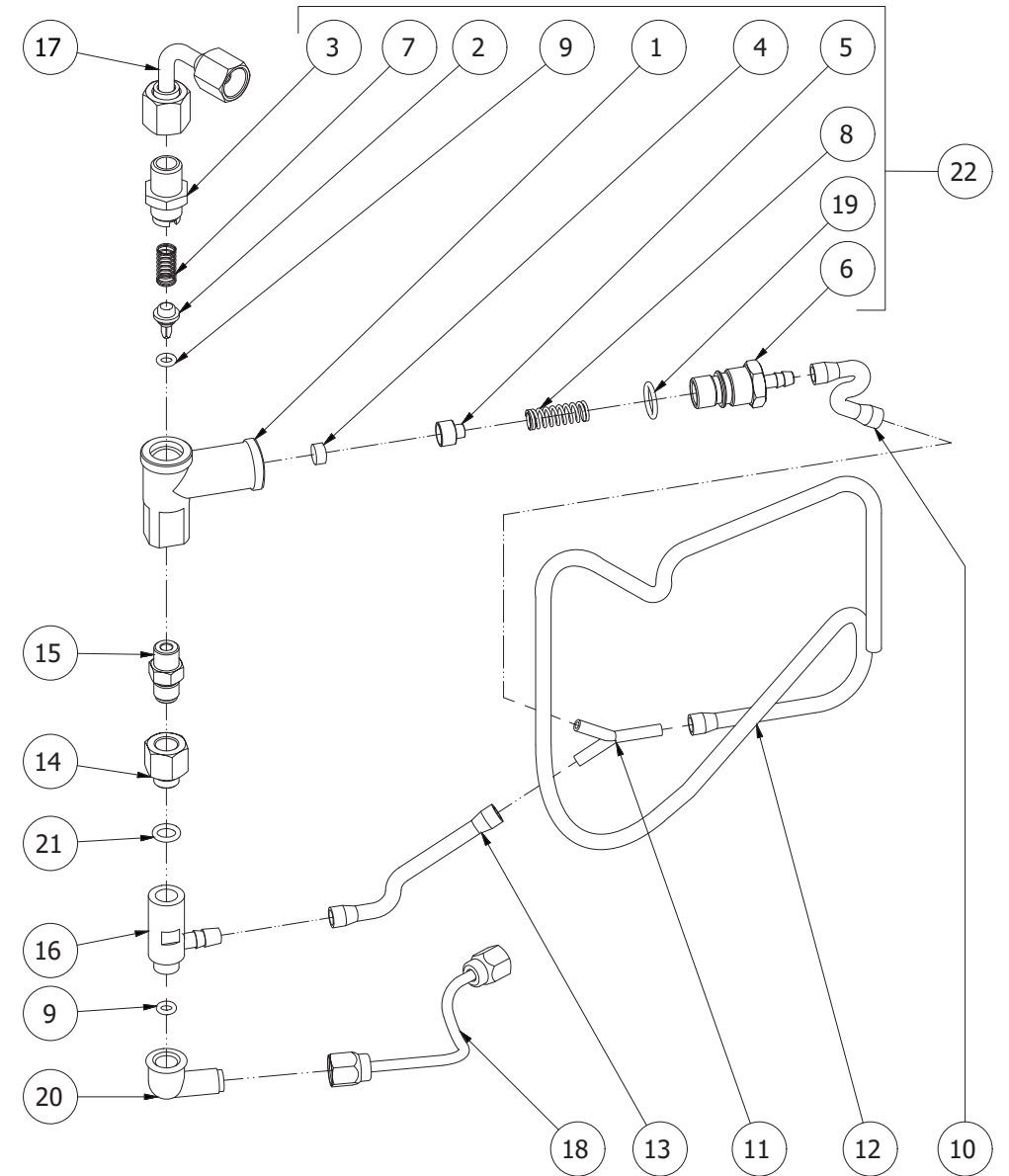
POS	CODE	DESCRIPTION
1	5964627.01	ASSEMBLY CHASSIS
2	5071733LL	BODY STAINLESS STEEL POLISHED
3	5340510	DRIP TRAY
4	5963068.03	TANK SUPPORT
5	5074476.01SG	GROUP FRONTAL
6	7373009	TANK 3 LT. CAPACITY
7	5074621LW	CUPS-HEATER GRID BZ07 BA
8	5074634LW	DRAIN GRID
9	7474217	ADHESIVE FEET
10	5373102.01	HEATING ELEMENT PROTECTION
11	5073020LW	TRAY COVER STAINLESS
12	7816002	SCREW TCEI M4X12
13	7816004	SCREW TCEI M4 X 16
16	7474218	FOOT
17	7611517	CLAMP
18	5125705	SUPPORT
19	5521512	LABEL "BEZZERA"

**TAB. 1 (from 01.12.15)**

TAB. 2 (up to 30.10.12)

POS	CODE	DESCRIPTION
1	5283049	SURPRESSION VALVE BODY
2	5224615TP	GASKET-HOLDER
3	5302017TP	STRAIGHT FITTING M12
4	5493001	GASKET D8 X 4 EPT
5	5224619TP	GASKET-HOLDER
6	5302072	RUBBER-HOLDER FITTING
7	5471505	CALIBRATED SPRING D0.45
8	5471506.01	CALIBRATED SPRING D1.1
9	7496018	GASKET OR 105
10	5194549	HOSE D8X5 L=350 SILICONE
11	7303033	FITTING "Y"
12	5194555	D8 X 1.5 L=550 SILICONE HOSE
13	5194562	DRAIN LITTLE HOSE
14	5225411TP	FITTING 1/8"G MF
15	7304502TR	STRAIGHT FITTING 1/8"G
16	7452512	VALVE
17	5162296LL	BOILER LOAD HOSE
18	5194589LL	PUMP HOSE L=200
19	7496052	OR GASKET 114
20	7304507TR	UNION ELBOW 1/8"G MF OT
21	7496085	OR GASKET D7.2X1.9 NBR
22	5965165	ASSEMBLY SURPRESSION VALVE

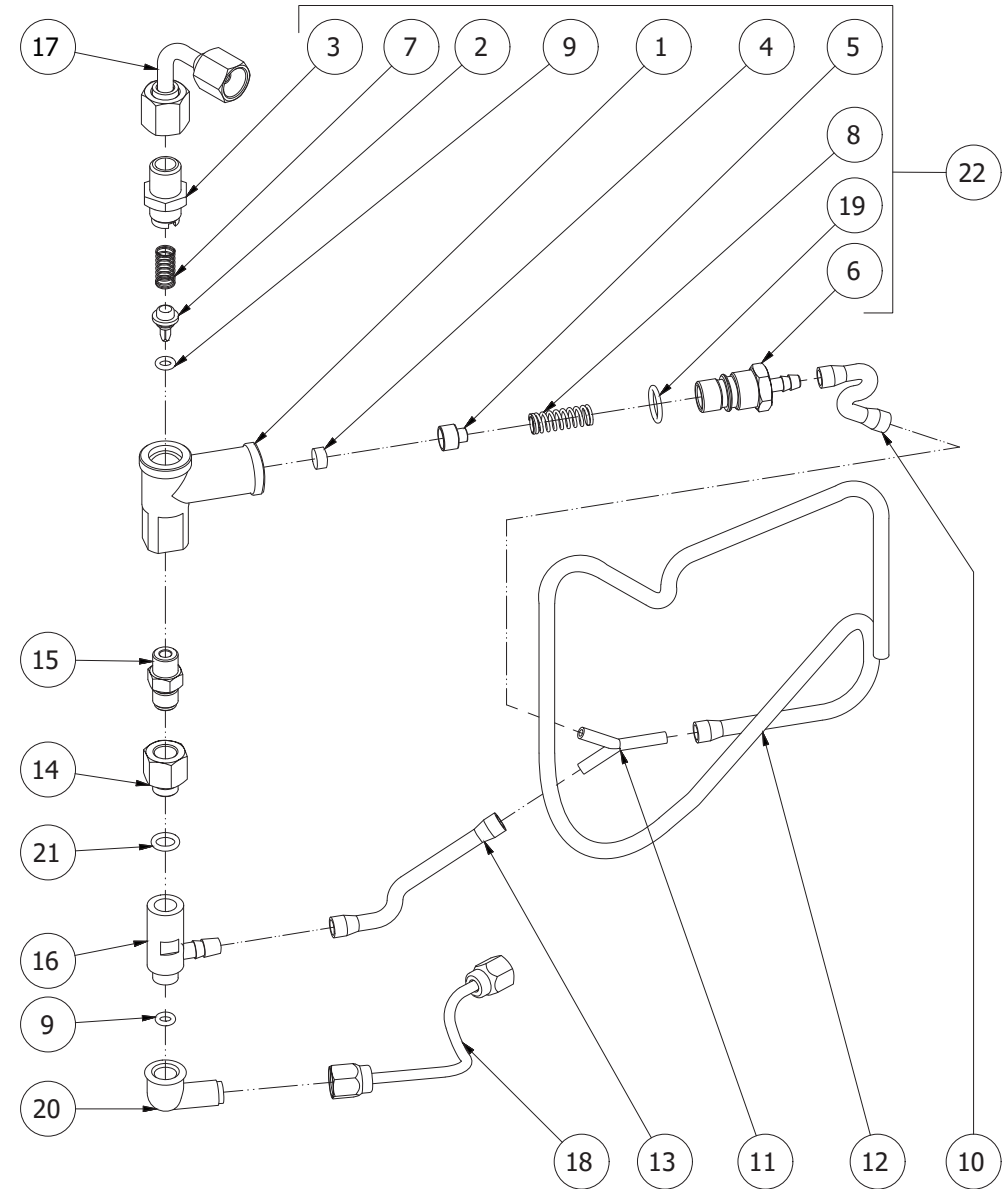
TAB. 2 (up to 30.10.12)



TAB. 2 (up to 26.02.14)

POS	CODE	DESCRIPTION
1	5283053TP	SURPRESSION VALVE BODY
2	5224615TP	GASKET-HOLDER
3	5302017TP	STRAIGHT FITTING M12
4	5493042	GASKET D8 X 4 EPT
5	5224620TP	GASKET-HOLDER
6	5302077TP	RUBBER-HOLDER FITTING
7	5471505	CALIBRATED SPRING D0.45
8	5471539	CALIBRATED SPRING D.1,6
9	7496018	GASKET OR 105
10	5194549	HOSE D8X5 L=350 SILICONE
11	7303033	FITTING "Y"
12	5194591	D6X4 L=550 SILICONE HOSE
13	5194562	DRAIN LITTLE HOSE
14	5225411TP	FITTING 1/8"G MF
15	7304502TR	STRAIGHT FITTING 1/8"G
16	7452512	VALVE
17	5162296LL	BOILER LOAD HOSE
18	5194589LL	PUMP HOSE L=200
19	7496052	OR GASKET 114
20	7304507TR	UNION ELBOW 1/8"G MF OT
21	7496085	OR GASKET D7.2X1.9 NBR
22	5965212AL	ASSEMBLY SURPRESSION VALVE 12BAR

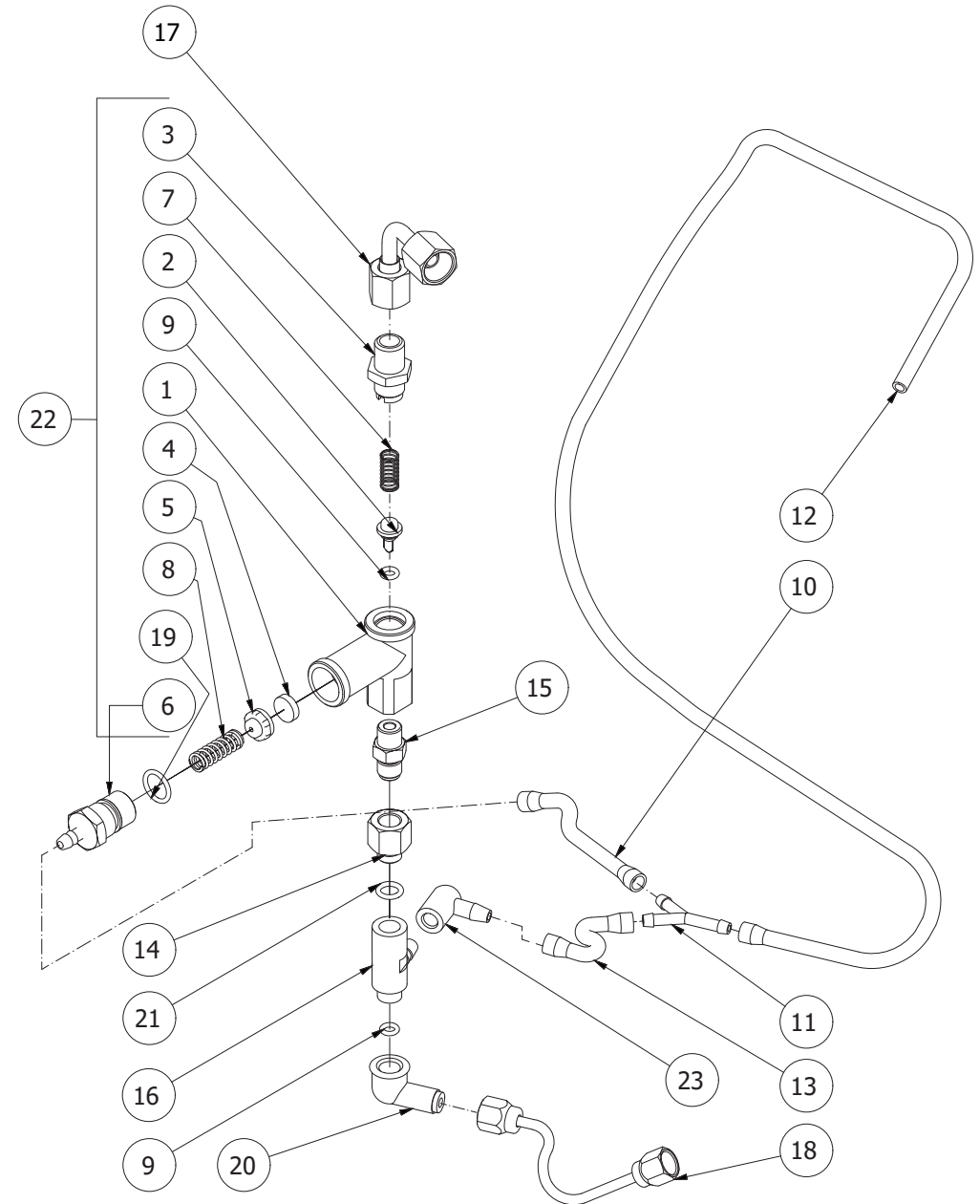
TAB. 2 (up to 26.02.14)



TAB. 2 (from 27.02.14)

POS	CODE	DESCRIPTION
1	5283053TP	SURPRESSION VALVE BODY
2	5224615TP	GASKET-HOLDER
3	5302017TP	STRAIGHT FITTING M12 H26.5 OT
4	5493042	GASKET D.11X3
5	5224620TP	GASKET-HOLDER
6	5302077TP	RUBBER-HOLDER FITTING
7	5471505	CALIBRATED SPRING D0.45 H22 AISI 302
8	5471539	CALIBRATED SPRING D.1,6
9	7496018	OR GASKET 105 VITON
10	5194562	DRAIN LITTLE HOSE </td
11	7303033	FITTING "Y"
12	5194591	D6X4 L=550 SILICONE HOSE
13	5194610	HOSE 6X4 L=250 SILICONE
14	5225411TP	FITTING 1/8"G MF
15	7304502TR	STRAIGHT FITTING 1/8"G
16	7452512	VALVE
17	5162296LL	BOILER LOAD HOSE
18	5194589LL	PUMP HOSE L=200
19	7496052	OR GASKET 114
20	7304507TR	UNION ELBOW 1/8"G MF OT
21	7496085	OR GASKET D7.2X1.9 NBR 70SH
22	5965212AL	ASSEMBLY SURPRESSION VALVE 12BAR
23	7303006	RUBBER-HOLDER FITTING

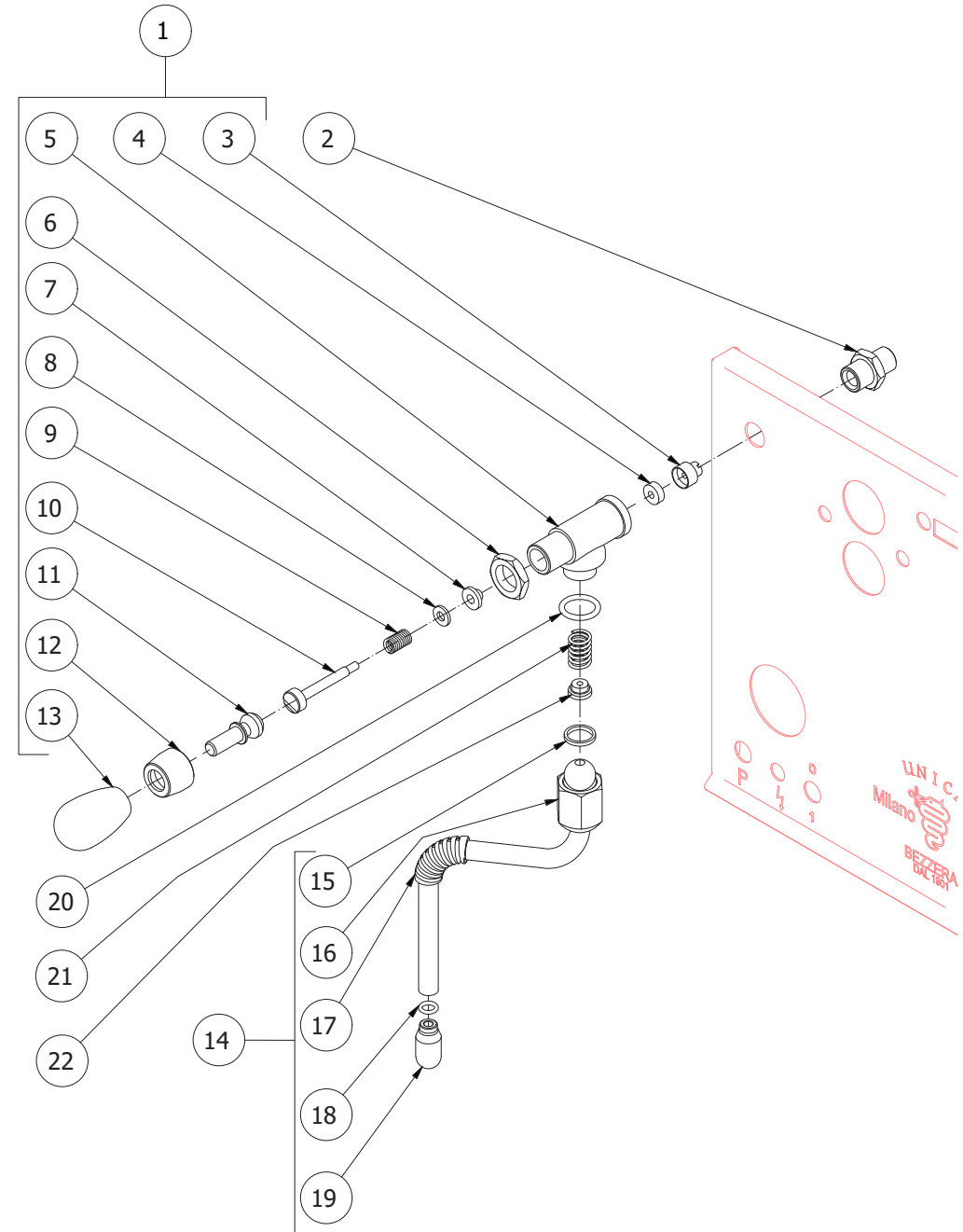
TAB. 2 (from 27.02.14)



TAB. 3 (up to 28.01.14)

POS	CODE	DESCRIPTION
1	5964085AL	ASSEMBLY TAP
2	5225410TP	FITTING M14XM13
3	5224603TP	GASKET-HOLDER
4	5496042	GASKET D11X4X4 EPT 70 (C6)
5	5283047TW	TAP BODY OT
6	5221826CM	NUT 3/8"G ES.22X5
7	5494004	GASKET D12 X 6 PTFE GRAPHITIZED
8	5261801	WASHER D11
9	5471513	SPRING
10	5260204DL	SHAFT D12X47
11	5225610	ARTICULATION M8 INOX
12	5222823CM	RING NUT 3/8"G H17
13	7371511.01	LEVER KNOB
14	7479990TW	ASSEMBLY STEAM HOSE TERMINAL 2 HOLES
15	7496073	OR GASKET 115 EP856
16	5221872TW	NUT 3/8"G
17	7371003	INSULATING
18	7496084	GASKET
19	7305014	TERMINAL 2 HOLES
20	7496072	OR GASKET 121
21	5471532	SPRING
22	5190501	COMPLETE CUP

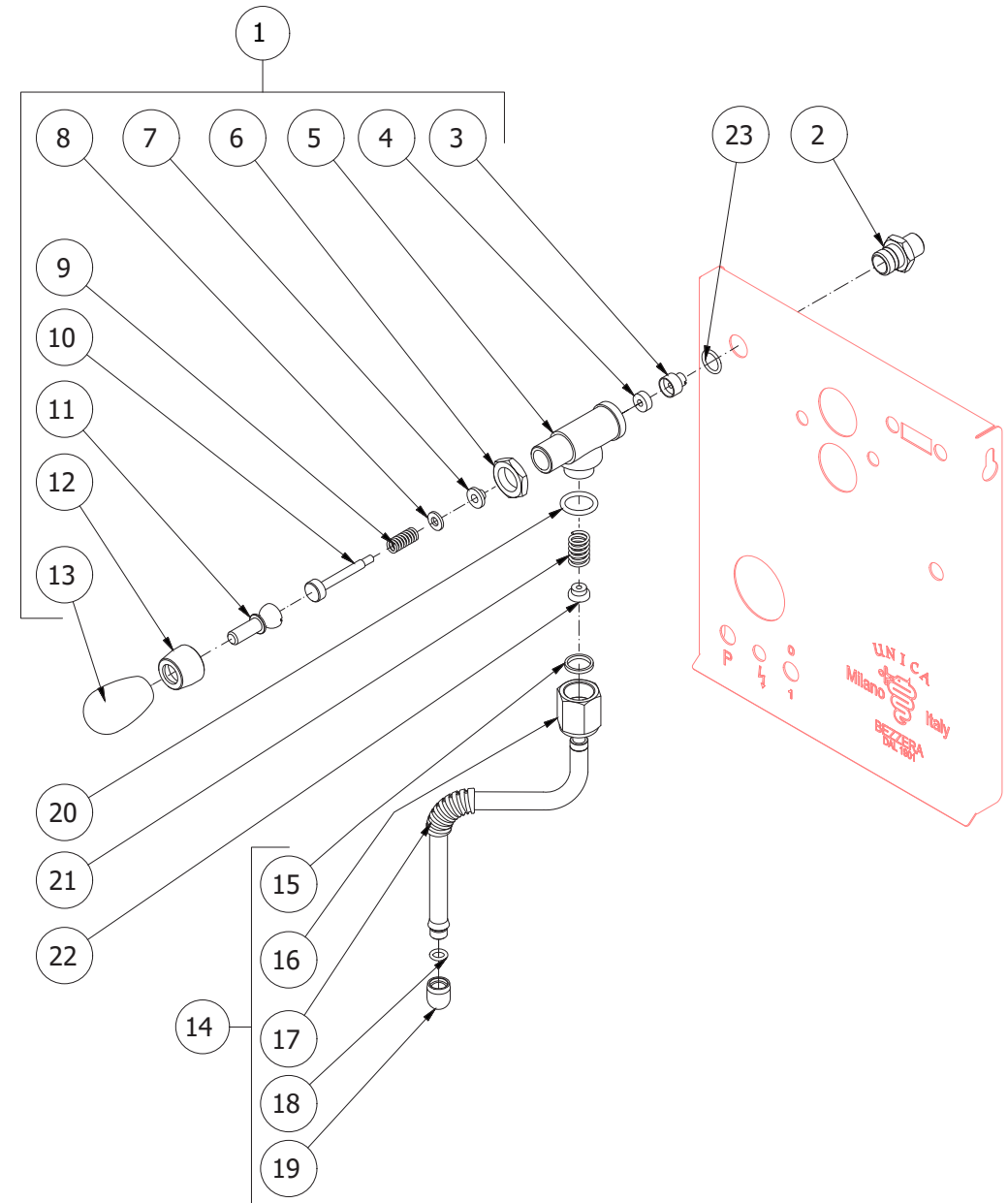
TAB. 3 (up to 2 8.01.14)



TAB. 3 (from 29.01.14 to 08.06.17)

POS	CODE	DESCRIPTION
1	5964085.01AL	ASSEMBLY TAP WITH OR
2	5225416TP	FITTING M14X1 WHIT OR
3	5224603TP	GASKET-HOLDER
4	5496042	GASKET D11X4X4 EPT 70 (C6)
5	5283055TW	TAP BODY OT FOR OR
6	5221826CM	NUT 3/8"G ES.22X5
7	5494004	GASKET D12 X 6 PTFE GRAPHITIZED
8	5261801	WASHER D11
9	5471513	SPRING
10	5260204DL	SHAFT D12X47
11	5225610	ARTICULATION M8 INOX
12	5222823CM	RING NUT 3/8"G H17
13	7371511.01	LEVER KNOB
14	7479990TW	ASSEMBLY STEAM HOSE TERMINAL 2 HOLES
15	7496073	OR GASKET 115 EP856
16	5221872TW	NUT 3/8"G
17	7371003	INSULATING
18	7496084	GASKET
19	7305014	TERMINAL 2 HOLES
20	7496072	OR GASKET 121
21	5471532	SPRING
22	5190501	COMPLETE CUP
23	7496052	OR GASKET 114

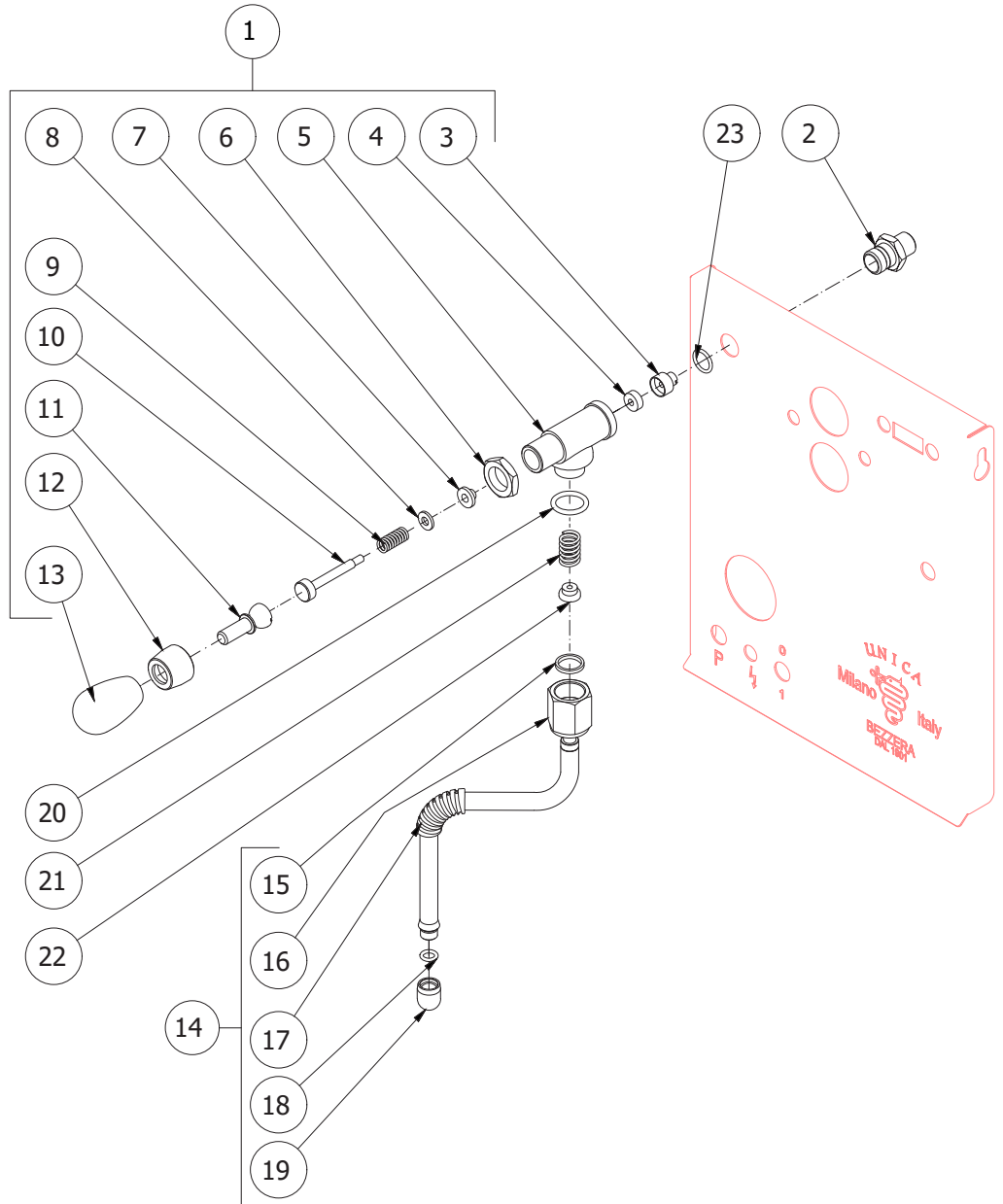
TAB. 3 (from 29.01.14 to 08.06.17)





POS	CODE	DESCRIPTION
1	5964085.01AL	ASSEMBLY TAP WITH OR
2	5225416TP	FITTING M14X1 WHIT OR
3	5224603TP	GASKET-HOLDER
4	5496042	GASKET D11X4X4 EPT 70 (C6)
5	5283055TW	TAP BODY OT FOR OR
6	5221826CM	NUT 3/8" G ES.22X5
7	5494004	GASKET D12 X 6 PTFE GRAPHITIZED
8	5261801	WASHER D11
9	5471513	SPRING
10	5260204DL	SHAFT D12X47
11	5225610	ARTICULATION M8 INOX
12	5222823CM	RING NUT 3/8" G H17
13	7371511.01	LEVER KNOB
14	7479990.02TW	ASSEMBLY STEAM HOSE TERMINAL 2 HOLES
15	7496073	OR GASKET 115 EP856
16	5221872TW	NUT 3/8" G
17	7371004	INSULATING
18	7496095	GASKET
19	7305019	TERMINAL 2 HOLES
20	7496072	OR GASKET 121
21	5471532	SPRING
22	5190501	COMPLETE CUP
23	7496052	OR GASKET 114

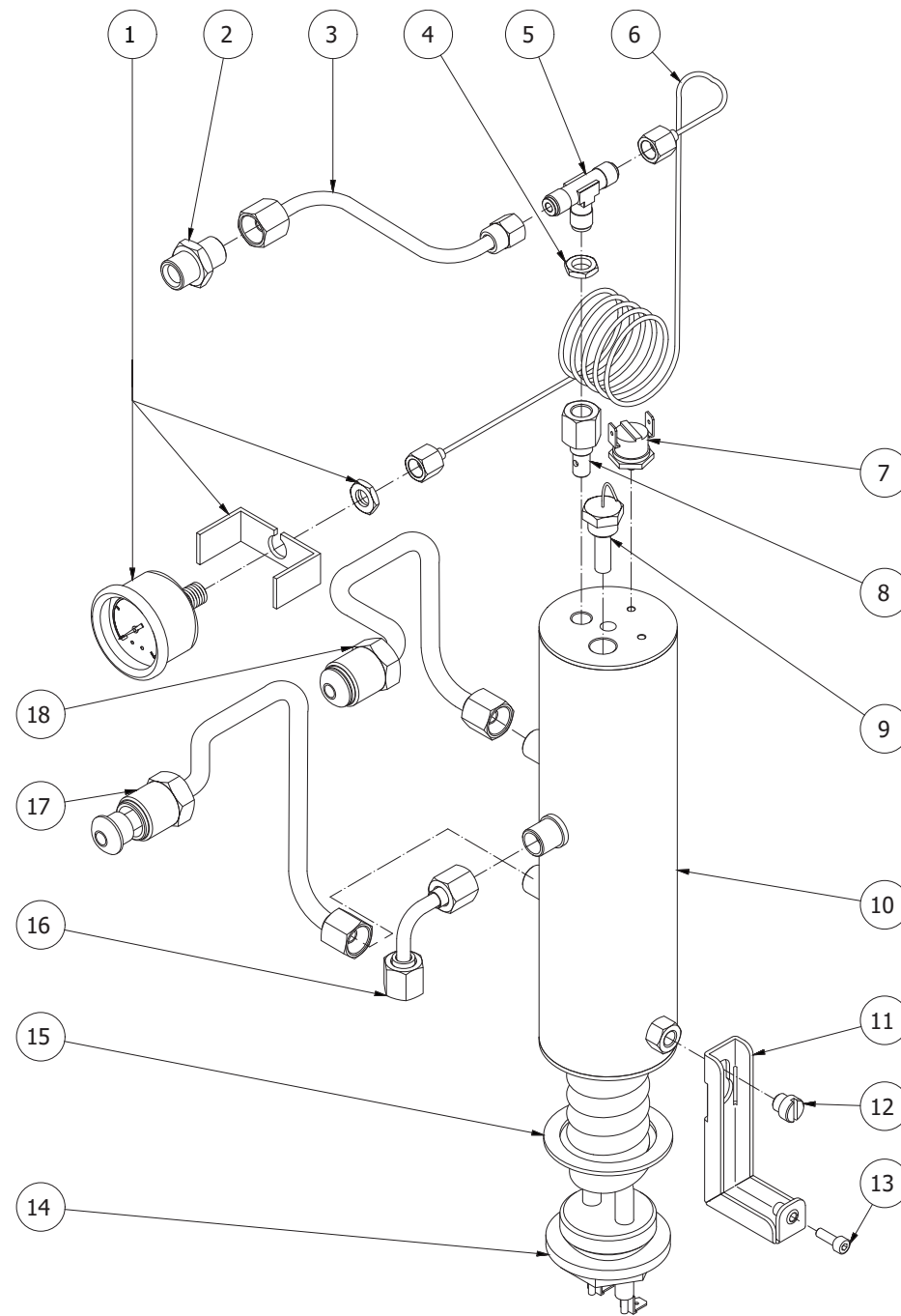
TAB. 3 (from 09.06.17)



TAB. 4

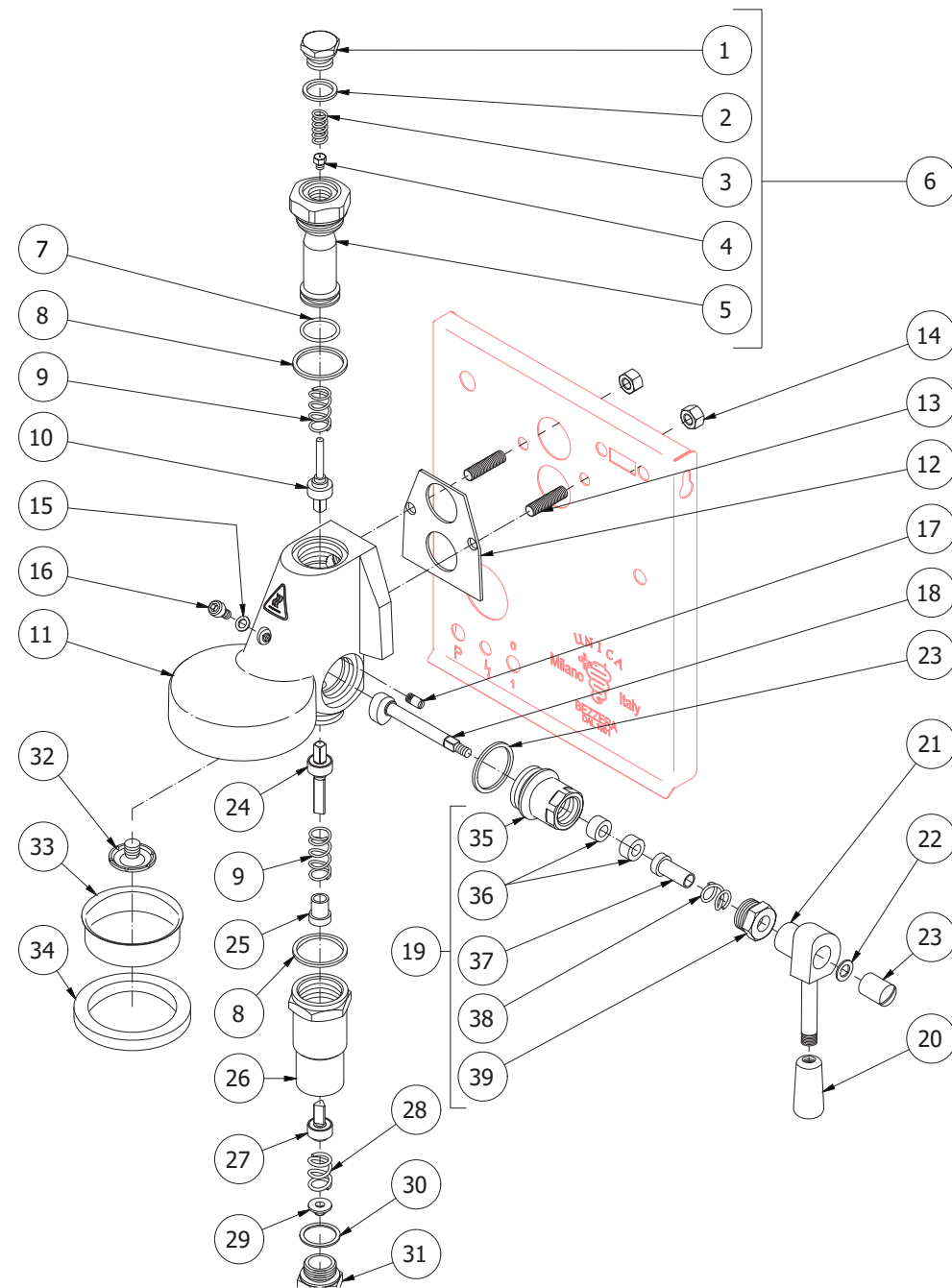
POS	CODE	DESCRIPTION
1	7432523	PRESSURE GAUGE D40 16BAR
2	5225410TP	FITTING M14XM13 (up to 28.01.14)
2	5225416TP	FITTING M14X1 WHIT OR (from 29.01.14)
3	5162297LL	STEAM TAP HOSE
4	5221844	NUT 1/8"G H3
5	7304509TR	FITTING
6	7400902	PRESSURE GAUGE CAPILLARY
7	7634814	THERMIC SAFETY DEVICE 250V 162°C MANUAL
8	5302067	FITTING 1/8"G OT
9	7666002	PROBE T.PID
10	5320519BL	BOILER
11	5037831.01LL	SQUARE FOR BOILER SUPPORT
12	5227002	SCREW M8 X 6 OT
13	7816002	SCREW TCEI M4X12
14	5721133TP	HEATING ELEMENT 110V
14	5722309TP	HEATING ELEMENT 220/240V
15	5494016	GASKET D52X42X2
16	5162296LL	BOILER LOAD HOSE
17	5164080LL	BOTTOM HEATING HOSE
18	5164079LL	UPPER HEATING HOSE

TAB. 4



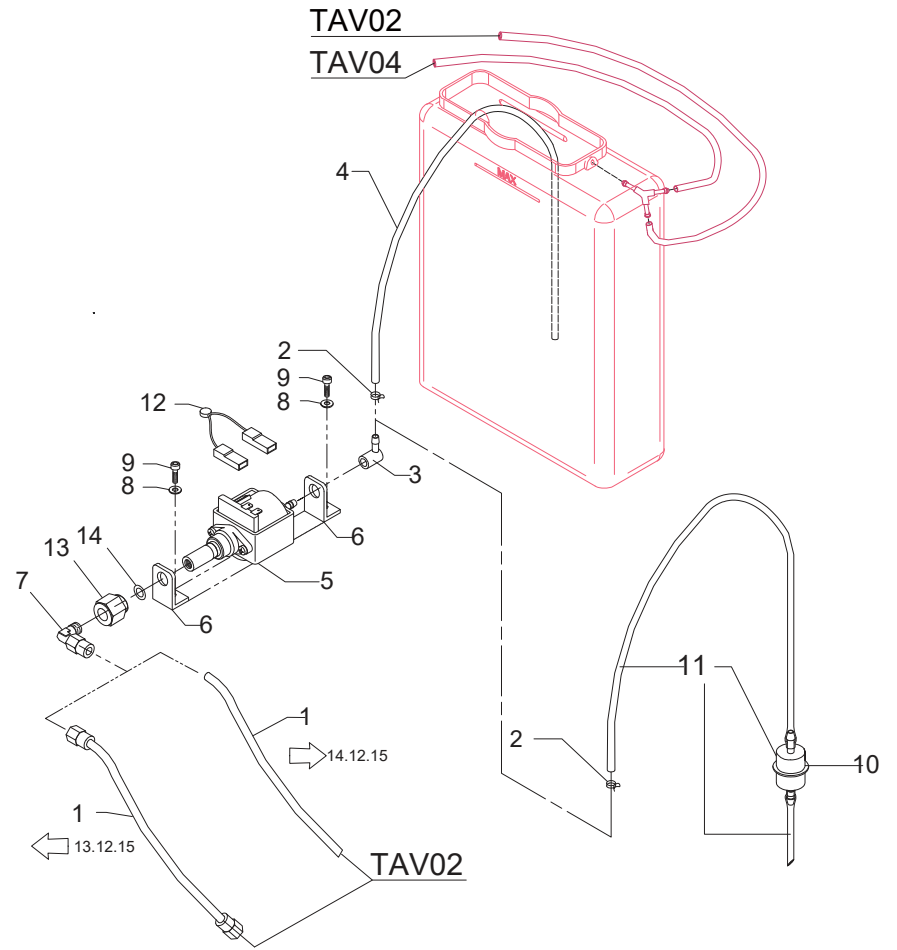
POS	CODE	DESCRIPTION
1	7479952	UPPER ASSY PLUG
2	7479953	GASKET TF 22X17X2
3	7479954	INOX FILTER Ø8,5X22
4	7479955	INJECTOR M6X0,75 FORO Ø0,7
5	7479956	UPPER SLEEVE ASSY
6	7479933	INJECTOR Ø0.7 UPPER SLEEVE ASSY
7	7479934	GASKET OR 128 VITON
8	7479935	GASKET TF Ø35X30X2
9	7479936	DELIVERY VALVE SPRING
10	7479937	DELIVERY VALVE ASSY
11	7479940	DELIVERY GROUP BODY
12	7493011	INSULATING
13	5267013	TIE ROD M8 X 31 ASTM A193
14	7812607	NUT M8 UNI 5587 ASTM A194
15	7479938	GASKET TF Ø10X6X1
16	7479939	SCREW TCE M6X8
17	7479951	CAM STOP PIN
18	7479950	CAM SHAFT
19	7479949	CAM FLANGE ASSY
20	7371511.01	LEVER KNOB
21	7479931	DELIVERY LEVER
22	7479947	WASHER Ø8
23	7479948	CAP Ø15XM6
24	7479946	ASSEMBLY VALVE
25	7479942	SPRING GUIDE BUSHING
26	7479957	LOWER SLEEVE ASSY
27	7479943	ASSEMBLY RELIEF VALVE
28	7479944	DRAIN SPRING
29	7479945	JET-BREAKER BUSHING Ø15X6
30	7479960	GASKET TF D26x21x2
31	7479961	GROUP BOTTOM FITTING
32	7479941	SPRAYER Ø30
33	5471022	SHOWER FILTER
34	5493039	UNDERCUP GASKET
35	7479967	CAM FLANGE
36	7479968	WASHER EP709 15,5X7,5X4
37	7479969	BUSHING
38	7479970	SPRING
39	7479971	PLUG CHROMED

TAB. 5



POS	CODE	DESCRIPTION
TAB. 6	1	5194631.01R PUMP-SOLENOID VALVE HOSE (up to 13.12.15)
	1	5194639 PUMP-SOLENOID VALVE HOSE (from 14.12.15)
	2	7611516 CLAMP
	3	7303006 RUBBER-HOLDER FITTING
	4	5194582 HOSE 8X5 L=750 SILICONE
	5	7731018 VIBRATION PUMP EX5 100V C/OR
	5	7731022 VIBRATION PUMP EX5 220V 60HZ WITH OR
	5	7731020 VIBRATION PUMP EX5 230V WITH OR
	5	7731019 VIBRATION PUMP EX5 120V WITH OR
	5	7731021 VIBRATION PUMP EX5 240V WITH OR
	6	7470602 VIBRATION-DAMPING
	7	7303042TR UNION ELBOW 1/8"G
	8	7805009 PLAIN WASHER D5 X 11 X 1
	9	7816002 SCREW TCEI M4 X 12 UNI 5931 8.8 ZN
10	7374015 FILTER	
11	5194582R HOSE WITH FILTER	
12	7634816 THERMIC SAFETY DEVICE 100°C AUTOMATIC	
13	5225418TP UNION WITH OR HOUSING 1/8"G	
14	7496018 OR GASKET 105 VITON	

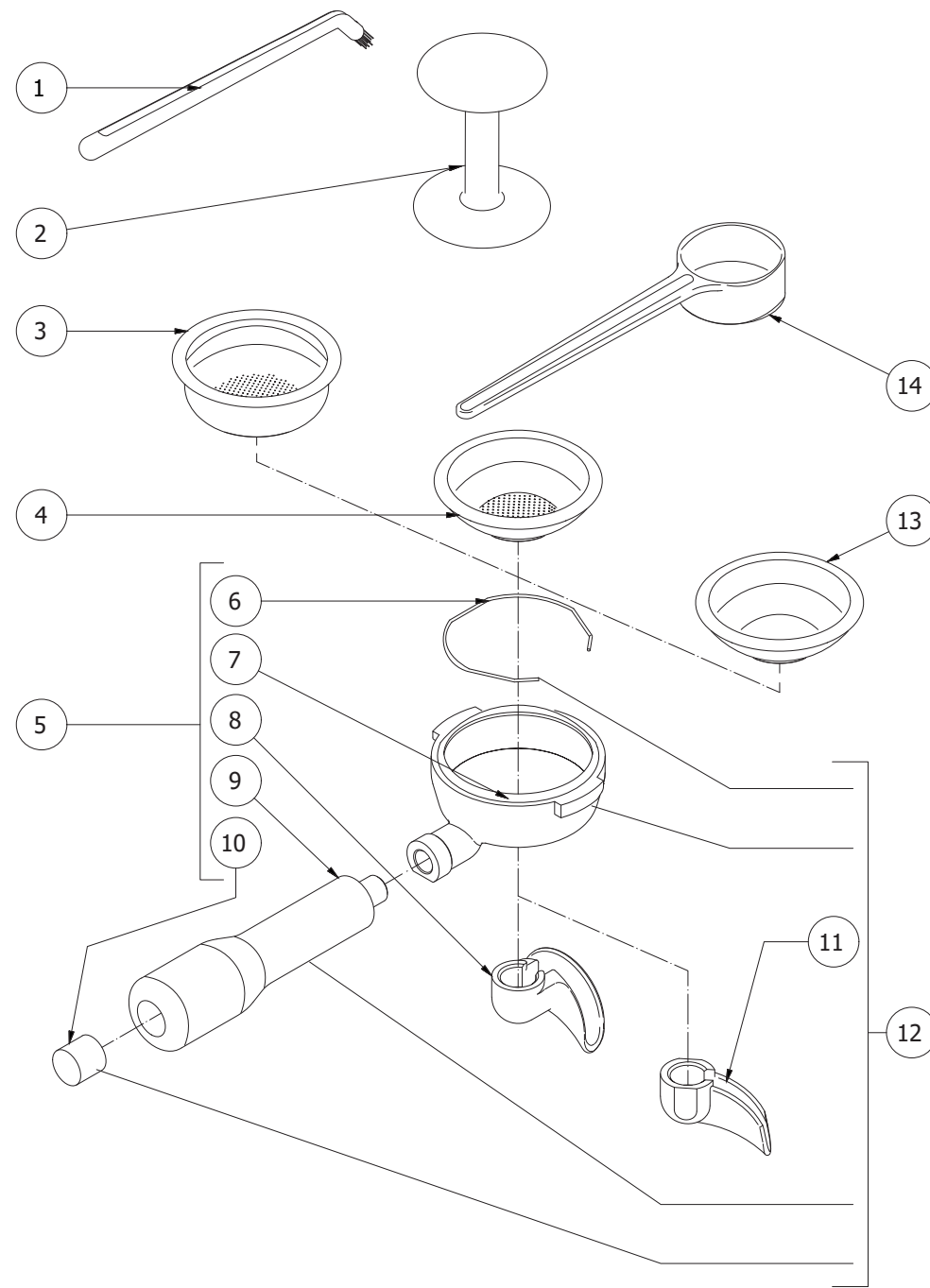
TAB. 6

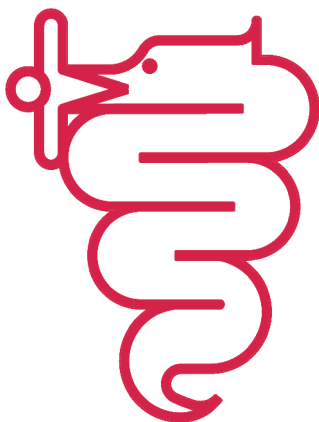




POS	CODE	DESCRIPTION
1	7990603	CLEANING BRUSH
2	5373001	COFFEE-PRESS
3	5471035	FILTER 2 CUPS 16 GRAMS WITH RUN CHANNEL
4	5471031.01	FILTER 1 CUP 8 GRAMS WITH RUN CHANNEL
5	5965611R	ASSEMBLY FILTER-HOLDER 2 CUPS
6	5471527	FILTER-HOLDER SPRING D1.2 AISI 302
7	7479972.01TW	FILTER-HOLDER
8	7305007TW	SPOUT 2 WAY
9	7371502	KNOB POLISHED
10	5373915CM	KNOB CHROME CAP
11	7305006TW	SPOUT 1 WAY
12	5965610R	ASSEMBLY FILTER-HOLDER 1 CUP
13	5471003	BLIND FILTER
14	5372101	MEASURER

TAB. 8





**BEZZERA**

**Dal 1901**

G.BEZZERA S.R.L.  
MACCHINE PER CAFFE' ESPRESSO  
Via Luigi Bezzera,1  
20088 Rosate - Milano - Italy  
Tel. 02 90848102 r.a. - Telefax 02 90870287  
Web: [www.bezzera.com](http://www.bezzera.com)  
e-mail: [admin@bezzera.it](mailto:admin@bezzera.it)