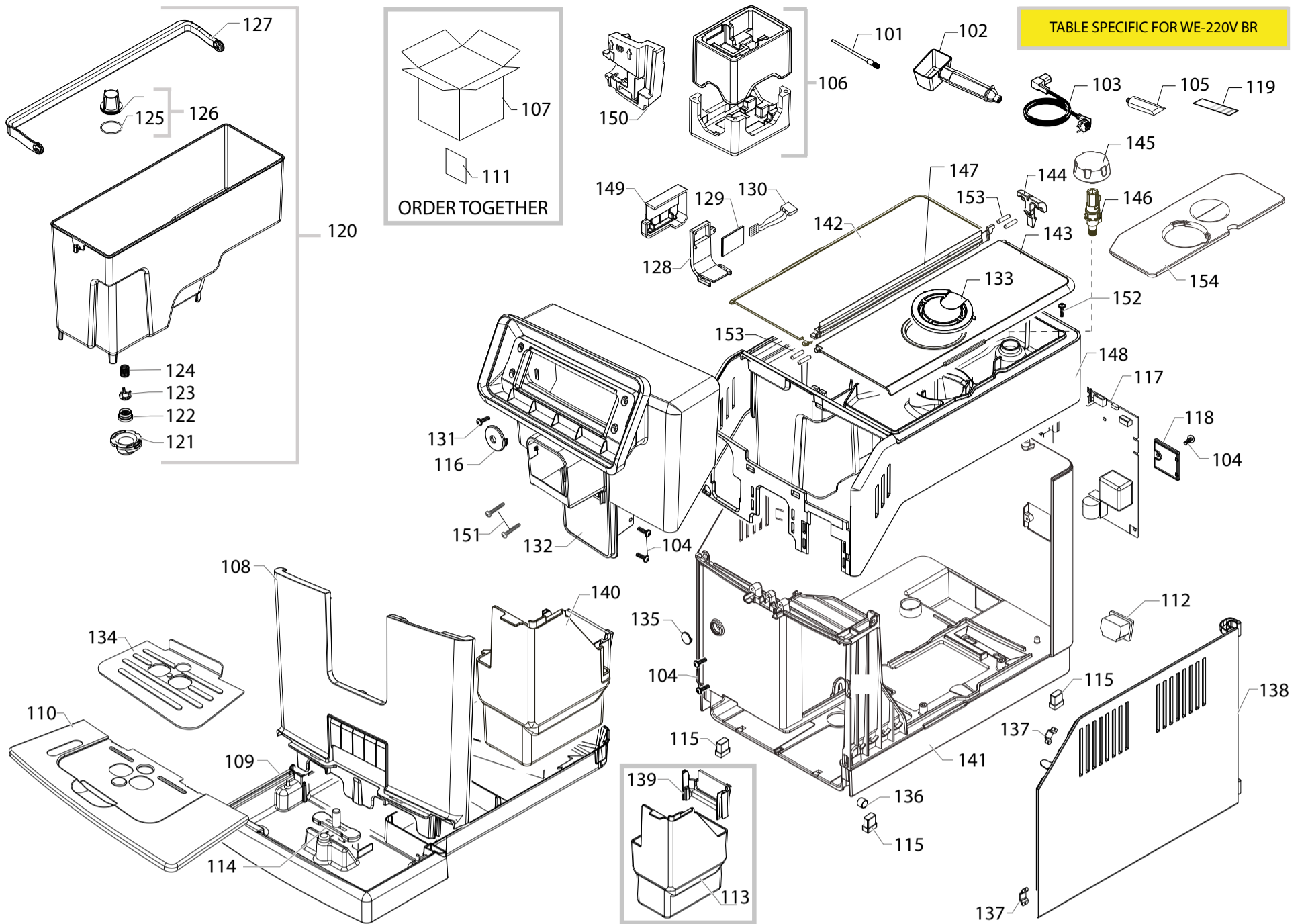


TABLE SPECIFIC FOR WE-220V BR



Pannarello (SUP051)
RI8700/01-02-06-41-42-46 (SUP051W)
RI8701/01-02-06-41-42-46 (SUP051P)



Cod.886870001010-886870002450-886870006470-886870041240-886870042240-886870046540
 Cod.886870101010-886870102450-886870106470-886870141240-886870142240-886870146540

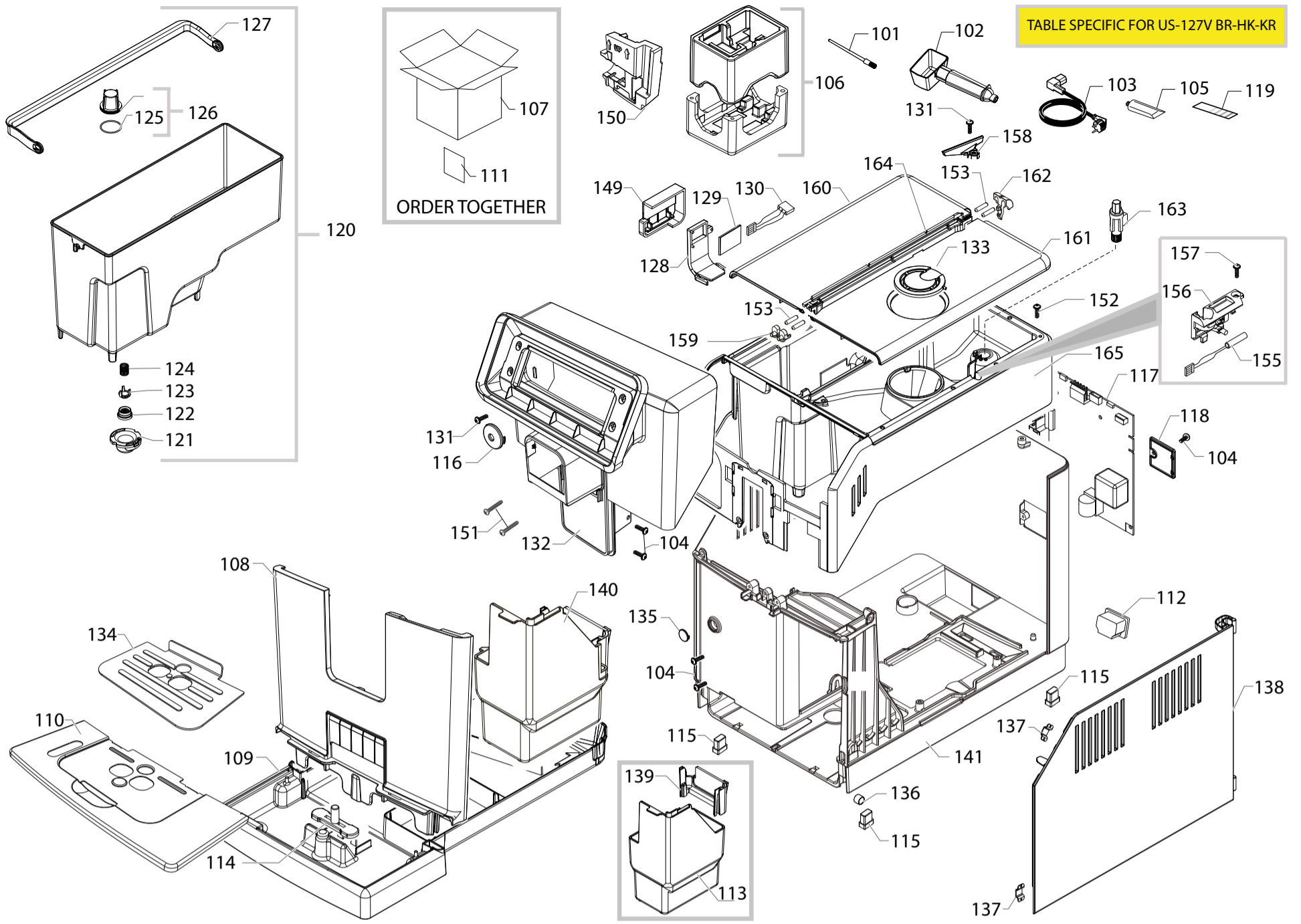
POS	12NC	DESCRIPTION	NOTE	POS	12NC	DESCRIPTION	NOTE
101	996530011867	BRUSH FOR CLEANING		136	996530050555	MAGNET FOR FLOAT SUPERAUT.	
102	421944033301	BLK ABS COFFEE MEASURE SMART		137	996530069857	STEEL PLATE FOR DOOR MAGNET XSM	
103	996530025808	BLK POWER CABLE SCHUKO L=1200	⚠️ ⚠️ RI8700/42-RI8701/42	138	421945007701	M/BLK RIGHT SIDE DOOR SMR	
	996530009627	BLK POWER CABLE BRAZIL L=1200		139	421944063132	BLK DUMP BOX INSERT V3 NPR	
104	996530013156	SCREW TCB TORX 10 3X8 PLAST.ZN-B		140	421941309971	KIT BLK D.BOX V2 SMRG + D.BOX INS.V2 NPR	
105	421946017941	KLUBERLUB NH1 11-222 TUBE 5GR.		141	421944063681	M/BLK CASING V3 SMRG ASSY	
106	421946504081	KIT PS-E INSERT FOR BOX MAGENTA		142	421944069061	M/BLK WATER CONTAINER LID V3 SMRG/P	WE-220VBR
107	421946500541	DISPL.BOX FLEX NEUTRAL GAG.ANIMA		143	421944069051	M/BLK BEAN COF.CONT.LID V3 SMRG/P	WE-220VBR
108	421946501371	BLK DRIP TRAY INSERT MAG		144	421944086131	BLK REAR LID FIXING INSERT V4 SMRG	WE-220VBR
109	421946504151	G/BLK DRIP TRAY MAG ASSY		145	421944075131	BLK GRIND.ADJUST.KNOB 5 POS. SMR	WE-220VBR
110	421946500941	SS GRATE FOR DRIP TRAY MAG.		146	421944052341	BLW BEAN COFFEE GRINDER INSERT V2 SMR	WE-220VBR
111	421946502361	GAG.MAGENTA BOX A5 STICKER		147	421944072821	BLK SEAL CONT.LIDS V2 SMRG	WE-220VBR
112	996530007788	CUP SOCKET EN 60320 C 13	230V ⚠️	148	421944094571	BLK UPP.CASING COV.V3 SMRG	WE-220VBR
113	421944067551	BLK DUMP BOX V2 SMRG		149	421944006871	GRY WATER LEVEL SENSOR COVER SMR	
114	421941304791	RED/3003 FLOAT FOR DRIP TRAY XSM		150	421946503231	PS-E GLASS INSERT FOR BOX GAG. MAG.	SUP051P
115	996530073468	TRANSP.SILICONE FOOT SMR		151	996530007953	SCREW TCB TORX 10 3,5X20 PLAST.SS	
116	421946501391	FRONT PANEL CAP SIL/B MAG.		152	996530070321	SCREW TCB TORX 10 3,5X12 PLAST.SS	
117	421946503131	MAIN+SW MAG. ASSY	⚠️ WE-HK-220VBR-KR	153	421944061701	SS CYL.PIN D=3.4 L=15.3	
118	996530068728	M/BLK REAR CASING PROGRAM.INSERT NPR		154	421944070662	TR.INN.BEAN COF.C.LID W/SEAL S/SC.V2 SMR	
119	996530039604	STICKER FOR WATER HARDNESS TEST					
120	421944093681	NAT/GRY WATER CONTAINER SMR V2 ASSY.					
121	996530073463	BLK LID FOR DUCKBILL VALVE SMR					
122	996530001829	BLK.VALVE FOR WATER CONTAINER P0049					
123	421941157852	GRY WATER CONTAINER VALVE INSERT P0049					
124	996530001831	SS SPRING FOR WATER CONTAIN. VALVE P0049					
125	996530013571	OR ORM 0190-10 EPDM					
126	996530029115	WHT WATER CONTAINER EXT.FILTER ASSY					
127	421944093611	TRASP. WATER CONTAINER HANDLE SMR V2					
128	996530073436	BLK WATER LEVEL SENSOR SUPPORT SMR					
129	421941306721	CPU+SW WATER LEVEL SENSOR V3 ASSY.	⚠️ ⚠️				
130	421946035161	3P.CONN.WATER LEVEL V2 SMR UL ASSY					
131	996530007819	SCREW TCB TORX 10 3,5X12 PLAST.ZN-N					
132	421946501361	BLK FRONT PANEL MAG. CMF ASSY					
133	421944040481	TRANSP/GRY GROUND COF.HOPPER LID SMRA					
134	421946500961	SS GRATE FOR ESPRESSO MAG.					
135	996530073462	BLK INFRAREDS PLATE RYL					

IMPORTANT REPAIR INSTRUCTIONS: Only use genuine Gaggia spare parts to replace critical components.
The warranty of your Gaggia product is void if you do not use genuine Gaggia spare parts to repair critical components of your appliance.
The critical components are indicated with a warning triangle ⚠️ in the service exploded view and/or service manual.



GAGGIA MAGENTA PLUS AND MILK

TABLE SPECIFIC FOR US-127V BR-HK-KR



Pannarello (SUP051)
RI8700/01-02-06-41-42-46 (SUP051W)
RI8701/01-02-06-41-42-46 (SUP051P)



Cod.886870001010-886870002450-886870006470-886870041240-886870042240-886870046540
 Cod.886870101010-886870102450-886870106470-886870141240-886870142240-886870146540

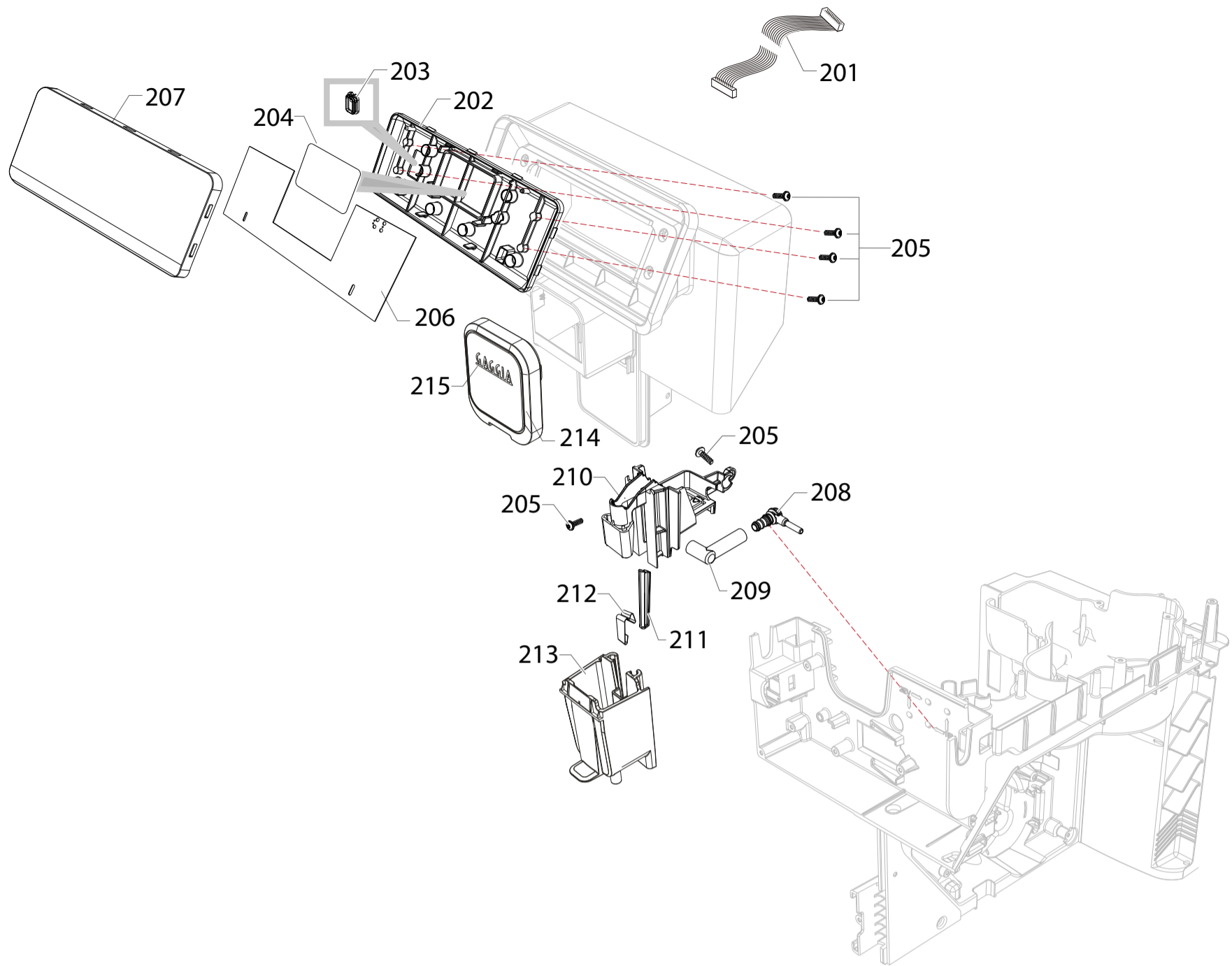
POS	12NC	DESCRIPTION	NOTE	POS	12NC	DESCRIPTION	NOTE
101	996530011867	BRUSH FOR CLEANING		133	421944040481	TRANSP/GRY GROUND COF.HOPPER LID SMRA	
102	421944033301	BLK ABS COFFEE MEASURE SMART		134	421946500961	SS GRATE FOR ESPRESSO MAG.	
103	996530025808	BLK POWER CABLE SCHUKO L=1200		135	996530073462	BLK INFRAREDS PLATE RYL	
	996530025843	BLK POWER CABLE SJT3 USA UL L=1200		136	996530050555	MAGNET FOR FLOAT SUPERAUT.	
	996530001089	BLK POWER CABLE KOREA L=1200		137	996530069857	STEEL PLATE FOR DOOR MAGNET XSM	
	996530069926	BLK POWER CABLE BRAZIL L=1200	⚠ RI8700/41-RI8701/41	138	421945007701	M/BLK RIGHT SIDE DOOR SMR	
104	996530013156	SCREW TCB TORX 10 3X8 PLAST.ZN-B		139	421944063132	BLK DUMP BOX INSERT V3 NPR	
105	421946017941	KLUBERLUB NH1 11-222 TUBE 5GR.		140	421941309971	KIT BLK D.BOX V2 SMRG + D.BOX INS.V2 NPR	
106	421946504081	KIT PS-E INSERT FOR BOX MAGENTA		141	421944063681	M/BLK CASING V3 SMRG ASSY	
107	421946500541	DISPL.BOX FLEX NEUTRAL GAG.ANIMA		143	421944069051	M/BLK BEAN COF.CONT.LID V3 SMRG/P	WE-220VBR
108	421946501371	BLK DRIP TRAY INSERT MAG		149	421944006871	GRY WATER LEVEL SENSOR COVER SMR	
109	421946504151	G/BLK DRIP TRAY MAG ASSY		150	421946503231	PS-E GLASS INSERT FOR BOX GAG. MAG.	SUP051P
110	421946500941	SS GRATE FOR DRIP TRAY MAG.		151	996530007953	SCREW TCB TORX 10 3,5X20 PLAST.SS	
111	421946502361	GAG.MAGENTA BOX A5 STICKER		152	996530070321	SCREW TCB TORX 10 3,5X12 PLAST.SS	
112	996530007788	CUP SOCKET EN 60320 C 13	230V ⚠	153	421944061701	SS CYL.PIN D=3.4 L=15.3	
113	421944067551	BLK DUMP BOX V2 SMRG		155	996530073661	2P.CONN.SENS.REED DUMP BOX CST UL ASSY.	US-127V BR
114	421941304791	RED/3003 FLOAT FOR DRIP TRAY XSM		156	421944009411	BLK REED SUPPORT SMR	US-127V BR
115	996530073468	TRANSP.SILICONE FOOT SMR		157	996530007951	SCREW TSP TORX 10 3X10 PLAST.SS	US-127V BR
116	421946501391	FRONT PANEL CAP SIL/B MAG.		158	421944040451	BLK CONT.SEP.INSERT SMR	US-127VBR-HK-KR
117	421946503131	MAIN+SW MAG. ASSY	⚠ WE-HK-220VBR-KR	159	421944085591	DEEP/BLK FRONT LID FIXING INSERT V3 SMRG	US-127VBR-HK-KR
	421946503151	MAIN+SW MAG. ASSY	⚠ US-1207VBR	160	421944036032	DEEP/BLK WATER CONTAINER LID V2 SMRG/P	US-127VBR-HK-KR
118	996530068728	M/BLK REAR CASING PROGRAM.INSERT NPR		161	421944052853	BLK BEAN COF.CONT.LID V4 SMRG/P-H ASSY	US-127VBR
119	996530039604	STICKER FOR WATER HARDNESS TEST			421944035973	DEEP/BLK BEAN COF.CONT.LID V3 SMRG/P	KR-HK
120	421944093681	NAT/GRY WATER CONTAINER SMR V2 ASSY.		162	421944085291	DEEP/BLK REAR LID FIXING INSERT V3 SMRG	US-127VBR-HK-KR
121	996530073463	BLK LID FOR DUCKBILL VALVE SMR		163	421944025161	YLW BEAN COFFEE GRINDER INSERT SMR	US-127VBR-HK-KR
122	996530001829	BLK.VALVE FOR WATER CONTAINER P0049		164	421944067621	BLK SEAL CONT.LIDS SMRG	US-127VBR-HK-KR
123	421941157852	GRY WATER CONTAINER VALVE INSERT P0049		165	421944059171	BLK UPP.CASING COV.W/SENS.SMRG	US-127V BR
124	996530001831	SS SPRING FOR WATER CONTAIN. VALVE P0049		165	421944033071	BLK UPP.CASING COV.SMRG	HK-KR
125	996530013571	OR ORM 0190-10 EPDM					
126	996530029115	WHT WATER CONTAINER EXT.FILTER ASSY					
127	421944093611	TRASP. WATER CONTAINER HANDLE SMR V2					
128	996530073436	BLK WATER LEVEL SENSOR SUPPORT SMR					
129	421941306721	CPU+SW WATER LEVEL SENSOR V3 ASSY.	⚠				
130	421946035161	3P.CONN.WATER LEVEL V2 SMR UL ASSY	⚠				
131	996530007819	SCREW TCB TORX 10 3,5X12 PLAST.ZN-N					
132	421946501361	BLK FRONT PANEL MAG. CMF ASSY					

IMPORTANT REPAIR INSTRUCTIONS: Only use genuine Gaggia spare parts to replace critical components.
The warranty of your Gaggia product is void if you do not use genuine Gaggia spare parts to repair critical components of your appliance.
The critical components are indicated with a warning triangle ⚠ in the service exploded view and/or service manual.



GAGGIA MAGENTA PLUS AND MILK

TABLE 1/B



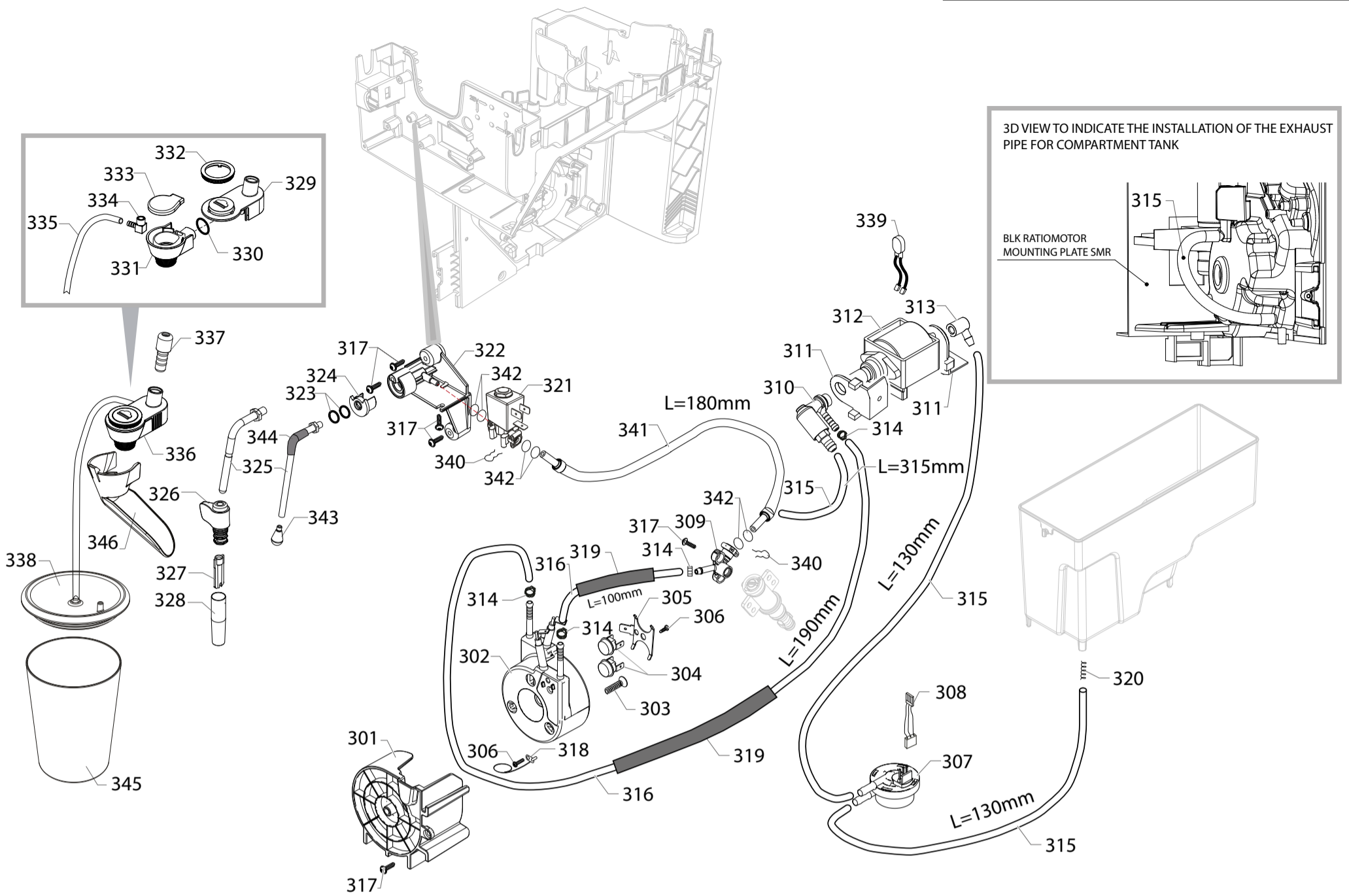
Pannarello (SUP051)
RI8700/01-02-06-41-42-46 (SUP051W)
RI8701/01-02-06-41-42-46 (SUP051P)



Cod.886870001010-886870002450-886870006470-886870041240-886870042240-886870046540
 Cod.886870101010-886870102450-886870106470-886870141240-886870142240-886870146540

POS	12NC	DESCRIPTION	NOTE	POS	12NC	DESCRIPTION	NOTE
201	421946034791	10P.FLAT CABLE CPU-UI FTR UL	⚠				
202	421946501171	DISPLAY SUPPORT MAG.					
203	421944025962	YLW WIRING GUIDE SEAL V2 CST/BT					
204	421945012661	DISPLAY TFT 2.4 IPS	⚠				
205	996530007819	SCREW TCBR TORX 10 3,5X12 PLAST.ZN-N					
206	421946502461	UI HW+SW MAGENTA PLUS ASSY	⚠ SUP051-SUP051W 230V				
	421946500761	UI HW+SW MAGENTA MILK ASSY	⚠ SUP051P 230V				
	421946502892	UI HW+SW MAGENTA PLUS ASSY	⚠ SUP051-SUP051W 120V				
	421946502912	UI HW+SW MAGENTA MILK ASSY	⚠ SUP051P 120V				
	421945031041	UI HW+SW MAGENTA PLUS ASSY	⚠ SUP051-SUP051W 220V				
	421945031051	UI HW+SW MAGENTA MILK ASSY	⚠ SUP051P 220V				
207	421946501211	BLK FRAME FRONT SUPPORT S/SCR MAG.					
208	421944079401	BLK BREW UN.COFFEE OUTLET CONNECT.V2 SMR					
209	421944065131	TRASP.SIL.COFFEE DISPENSER TUBE SMR					
210	421945013131	COFF. DISP. BODY V5 SMRG					
211	421944090141	INSERT BODY SPOUT					
212	421944078761	SPRING SPOUT SMRG					
213	421946501221	BLK COF.DISPEN.MOBILE PART MAG.					
214	421946501261	CHROM COFF.DISPENSER FRONT INSERT MAG.	Together pos.215				
215	421946502071	MAGENTA ADHESIVE LOGO	Together pos.214				





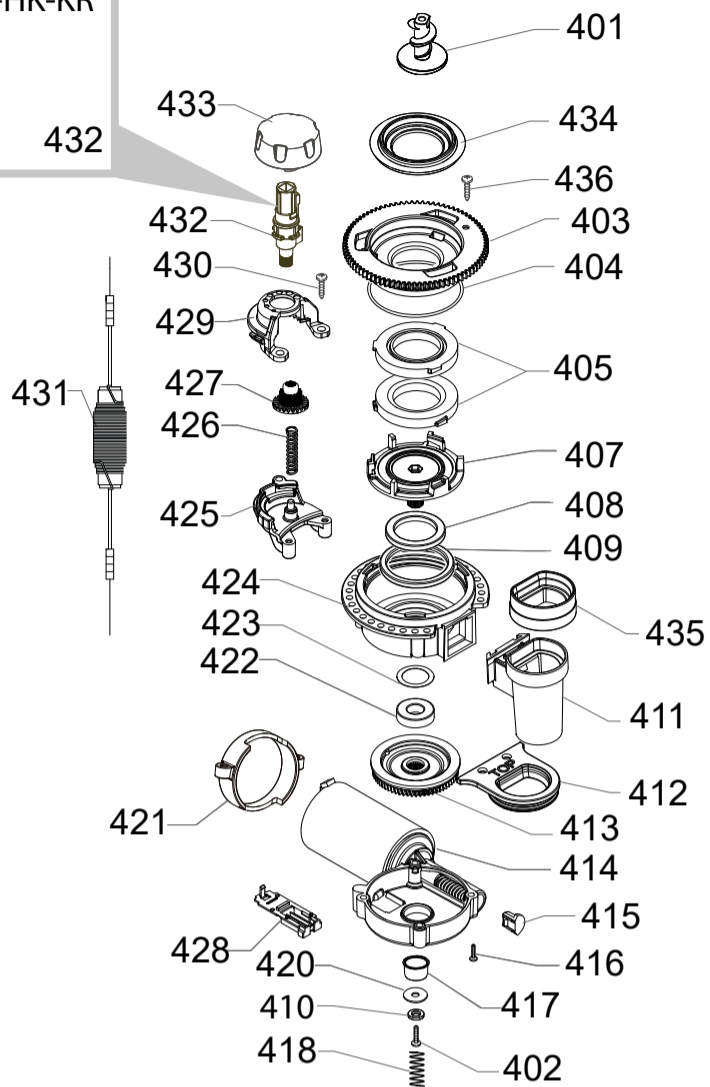
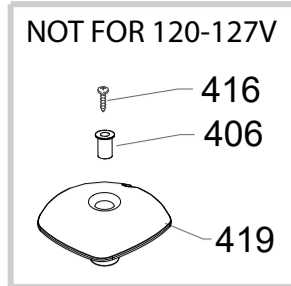
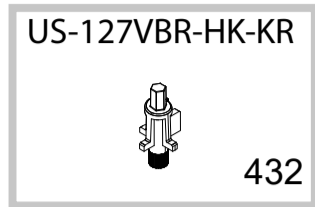
Pannarello (SUP051)
RI8700/01-02-06-41-42-46 (SUP051W)
RI8701/01-02-06-41-42-46 (SUP051P)



Cod.886870001010-886870002450-886870006470-886870041240-886870042240-886870046540
 Cod.886870101010-886870102450-886870106470-886870141240-886870142240-886870146540

POS	12NC	DESCRIPTION	NOTE	POS	12NC	DESCRIPTION	NOTE
301	421944040831	BLK SLIM TUB. BOILER SUPPORT V2 SMR		336	421944023801	BLK CAPPUC. V3 SMR/H ASSY.	SUP051P
302	421944028841	TUB. BOILER XS4 ASSY.	220-230V ⚠	337	421941301142	BLK STEAM TUBE INSERT V2 SMR/H	SUP051P
	421944046121	TUB. BOILER XS4 ASSY.	120-127V ⚠	338	421946502291	BLK CARAFE LID MAG.	SUP051P
303	996530008024	SCREW TSP TORX 10 5X20 PLAST. ZN-B		339	421946040481	2P. CONN. PUMP SMRL UL ASSY	⚠
304	262279998757	THERMOSTAT OPEN/CLOSE 190/-35DEGC B	⚠	340	996530048885	SS FORK FOR TUBE D.4	
305	996530000997	TUB. BOILER V3 UPPER THERM. FIXING SPRING		341	996530051543	TEFLON TUBE ASS. 4X2 L.180 7-7	
306	996530069758	SCREW TCB TORX 20 M4X8 AUTOFORMING ZN-B		342	996530013564	OR 2015 IN SILICONE PTFE/FDA	
307	996530059843	TURBINE D=1,2 932-9521/B ASSY.	⚠	343	421945007551	1 HOLE STEAM SPRAYER CAD PLUS US	SUP051W
308	996530073488	3P. CONN. FLOWMETER SMR UL ASSY.	⚠	344	421944093511	RUBBER BURN BLOCKS 6X32	SUP051W
309	421946500921	FAST CONNECTOR FOR PIN BOILER MAG.		345	421946502311	TRANSPARENT GLASS CARAFE MAG.	SUP051P
310	996530068178	L-F/BR. SAFETY VALVE 16-18 BAR ASSY.		346	421945003241	M/BLK READYINCAP	SUP051P
311	996530018056	BLACK PUMP SUPPORT TYPE ULKA					
312	996530007753	ULKA PUMP EP5/S GW	230V ⚠	421944082241	GEN. TUB. BOILER V2 XS4 ASSY	220-230V ⚠	
	421944081531	ULKA PUMP EFP5/S	120-127V ⚠	421944092481	GEN. TUB. BOIL. XS4 GAG V2 ASSY	120-127V ⚠	
	996530007782	ULKA PUMP EP5 S GW	220V ⚠				
313	996530017348	90° INLET CONNECTOR PUMP					
314	996530007742	OETIKER CLAMP D=9,5 15400022					
315	996530002093	S/TUBE 5X10 60SH					
316	996530009505	PINK 5X8,9 SILICONE TUBE IN ROLL					
317	996530007819	SCREW TCB TORX 10 3,5X12 PLAST. ZN-N					
318	996530073428	TEMPERATURE SENSOR NTC UL L=550MM	⚠				
319	996530009523	TRANSPAR. 10,5X12,3 SILICONE TUBE IN ROLL					
320	996530073439	SPRING FOR TUBE PRODUCT 1					
321	421944090341	2WAY PLASTIC VALVE D2 24V R2A	⚠				
322	421946500931	STEAM PIPE VALVE SUPPORT MAG.					
323	996530013509	OR ORM 0060-20 NBR FDA					
324	996530073456	BLK BUSH FOR STEAM TUBE SMR					
325	421946501471	SS STEAM TUBE MAG PLUS ASSY	SUP051W				
	421944077961	SS STEAM TUBE SMR ASSY	SUP051-SUP051P				
326	421941300671	BLK/SIL. STEAM TUBE HANDGRIP G0053	SUP051				
327	421944085601	BLACK PANNARELLO INTERNAL TUBE V2 P0049	SUP051				
328	996530000926	STAINLESS STEEL PANNARELLO COVER P0049	SUP051				
329	421944023812	BLK CAPPUC. CASING COVER V5 SMR/H ASSY.	SUP051P				
330	996530059392	O-RING 106 RED SILICONE	SUP051P				
331	421944022461	BLK CAPPUC. CASING V3 SMR/H	SUP051P				
332	421941301121	BLK CAPPUC. CASING COVER RING SMR/H	SUP051P				
333	421941301131	BLK CAPPUC. CASING SEAL SMR/H	SUP051P				
334	421944086351	BLK CONNECTOR 90 V2 FOR SPHERIC. CAPPUC.	SUP051P				
335	996530051237	SILICONE TUBE 3,5X6 L=350 MM DS	SUP051P				





Pannarello (SUP051)
RI8700/01-02-06-41-42-46 (SUP051W)
RI8701/01-02-06-41-42-46 (SUP051P)

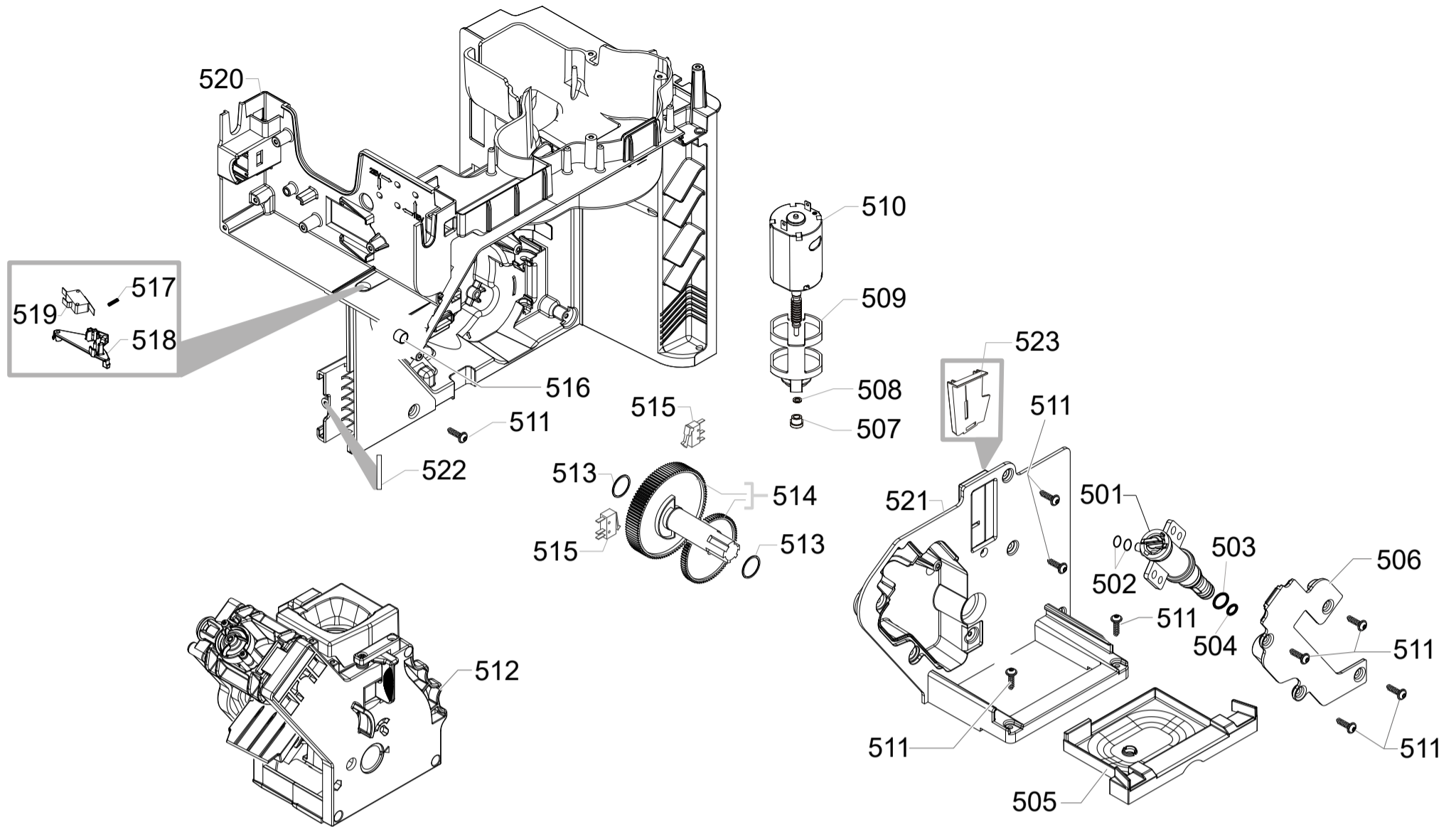


Cod.886870001010-886870002450-886870006470-886870041240-886870042240-886870046540
 Cod.886870101010-886870102450-886870106470-886870141240-886870142240-886870146540

POS	12NC	DESCRIPTION	NOTE	POS	12NC	DESCRIPTION	NOTE
401	421944032692	GRIVORY INCREASE SCREW GRINDER V2			421946502451	GEN.MOTOR COF.GRINDER MAGENTA ASSY	220-230V
402	996530012928	SCREW TCB TORX 20 M4X30 ZN-B			421946502871	GEN.MOTOR COF.GRINDER MAGENTA ASSY	120-127V
403	421944053581	BLK COF.GRINDER UPPER GRINDER SUPPORT V3					
404	996530013577	OR ORM 0530-15 NBR FDA					
405	421944078641	MACINA PIANA 48X28 IN CERAMICA COORSTEK					
406	996530006412	BRASS BUSH BEAN CONT.FINGER PROTEC.P0057	only 220-230V				
407	996530017952	BLK COF.GRINDER LOWER GRINDER SUPPORT V3					
408	996530011183	AXIAL BEARING EKKO 342.35252					
409	996530013597	FELT RING 45,4X39,4X4					
410	996530012341	GALV.WASHER UNI 8842 A4					
411	996530068049	BLK GROUND COFF.OUTLET CONVEYOR V4 ASSY.					
412	421944060561	GRY GROUND COF.CONT.LOWER SEAL V2 SMART1					
413	421945006091	GRY GEAR SX Z=38 FOR GRINDER MOTION					
414	421944049151	MOTOR COFFEEGRINDER V3.2 ASSY.	220-230V ⚠				
	421944084071	MOTOR COFFEEGRINDER V3.2 WZN ASSY	120-127V ⚠				
415	996530018139	MC V3 MOD=1,25 WORM SCREW CENTRING CAP					
416	996530012992	SCREW TCB TORX 3,5X30 PLAST.ZN-B	only 220-230V				
417	996530001389	INSULATOR BUSH FOR GRINDER MOTOR P124					
418	996530000376	STEEL COF.GRINDER SUPPORT SPRING P124					
419	996530073467	BLK BEAN COF.CONT.FINGER PROTECT.SMR UL	only 220-230V				
420	996530012375	STEEL FLAT WASHER DI=4,3 DE=14 SP=1,5					
421	421941142172	BLK COFFEEGRINDER MOTOR SUPP.P124 V2					
422	996530011182	RADIAL BEARING 61900.2RS1					
423	996530012374	WAVY WASHER 3 PART 14,5X21,7X0,30					
424	421941082802	LLK UPPER BODY WITH COFFEE GROUND OUT.V2					
425	996530001314	LOWER COFFEEGRINDER GEAR SUPPORT P124					
426	996530001308	COFFEEGRINDER REGULATION SPRING P124					
427	996530001907	COFFEE GRINDING ADJUSTMENT GEAR P0049					
428	996530017963	BLK SENSOR SUPPORT FOR COF.GRINDER MOTOR					
429	996530001296	UPPER COFFEEGRINDER GEAR SUPPORT P124					
430	996530013165	SCREW TCB TORX 10 3,5X16 PLAST.ZN-B					
431	421946040471	2P.CONN.COF.GRINDER MOTOR SMR UL ASSY.	⚠				
432	421944052341	BLW BEAN COFFEE GRINDER INSERT V2 SMR	WE-220VBR				
	421944025161	YLW BEAN COFFEE GRINDER INSERT SMR	US-127VBR-HK-KR				
433	421944075131	BLK GRIND.ADJUST.KNOB 5 POS. SMR	WE-220VBR				
434	421941085872	COFFEE GRINDER SEAL P119 GRY 7035					
435	996530015958	BLK GROUND COF.CONT.UPPER SEAL SMART1					
436	996530068586	SCREW TCB TORX B 3,5X9,5 SHEET BLK ZINC					



GAGGIA MAGENTA PLUS AND MILK



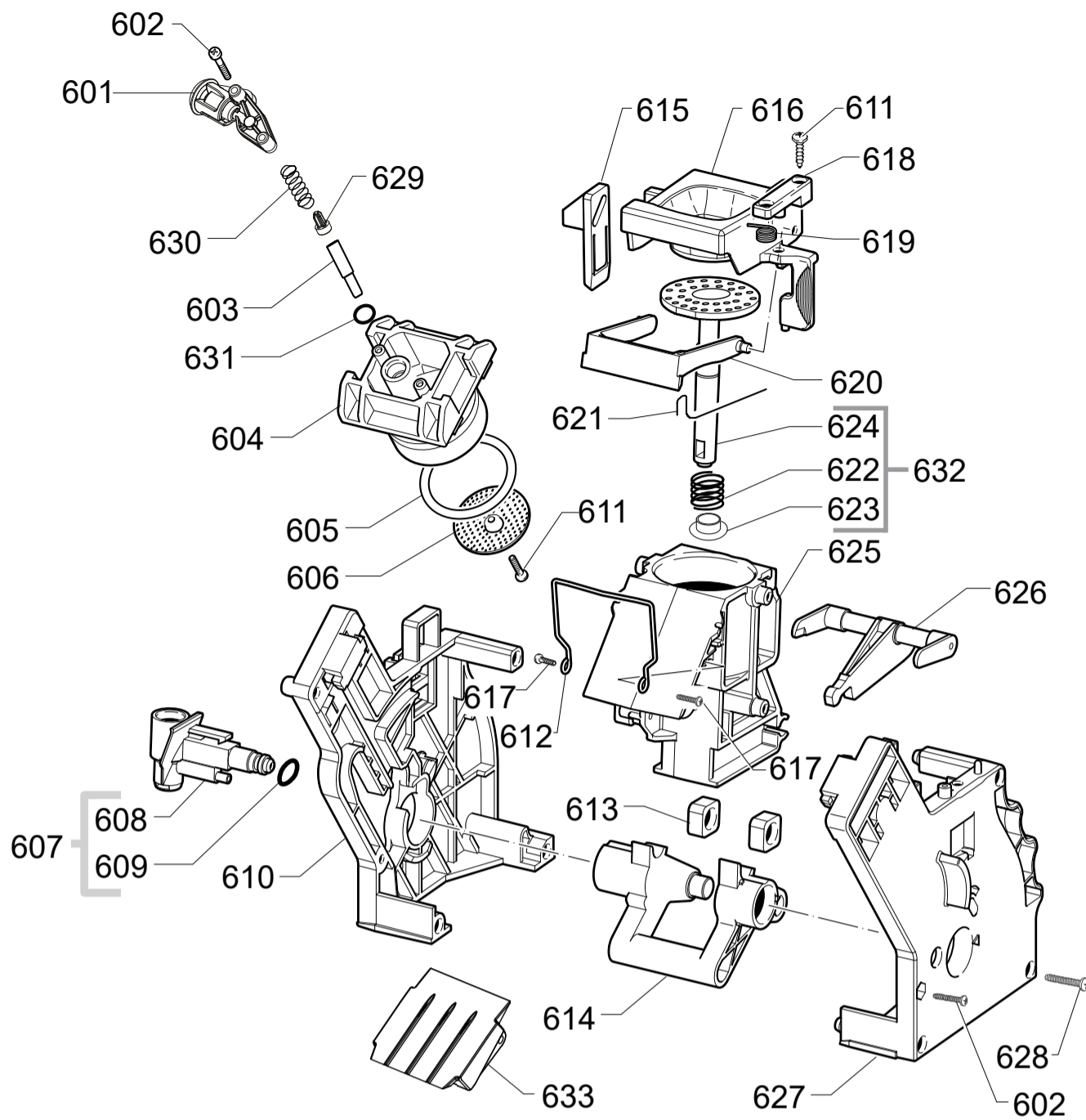
Pannarello (SUP051)
RI8700/01-02-06-41-42-46 (SUP051W)
RI8701/01-02-06-41-42-46 (SUP051P)



Cod.886870001010-886870002450-886870006470-886870041240-886870042240-886870046540
 Cod.886870101010-886870102450-886870106470-886870141240-886870142240-886870146540

POS	12NC	DESCRIPTION	NOTE	POS	12NC	DESCRIPTION	NOTE
501	421945000221	PIN FOR BOILER SMR ASSY					
502	996530013564	OR 2015 IN SILICONE PTFE/FDA					
503	996530059399	OR ORM 0090-20 RED SILICONE					
504	996530059419	OR ORM 0050-20 IN RED SILICONE					
505	421945008981	BLK BREW UNIT DRAWER COFFEE V3 SMR					
506	996530074054	BLK BOILER SEAT PIN COVER SMR					
507	996530049898	BRONZE SINTERED BUSH FOR MOTOR RATIOMOT.					
508	996530017424	BAKELIZZATE WASHER D=5,5					
510	996530002796	MOTOR FOR RATIOMOTOR P124 ASSY.	⚠				
511	996530007819	SCREW TCBR TORX 10 3,5X12 PLAST.ZN-N					
512	421944085731	BLK/YLW BREW UNIT 8GR.5BAR V2 FTR/B					
513	996530050569	MYLAR WASHER FOR RATIOMOTOR					
514	996530009913	SPARES KIT GEARS FOR RATIOMOTOR V2					
515	421946046461	MICRO+MOTOR BREWUNIT V4 SMR UL ASSY.	⚠				
516	996530050555	MAGNET FOR FLOAT SUPERAUT.					
517	421944006861	STEEL SPRING FOR MICRO COMPENSATOR SMR					
518	421944086602	BLK MICRO COMPENSATOR V3 SMR					
519	421941291461	MICROSWITCH DOOR SMR UL ASSY.	⚠				
520	421946503831	BLK RATIOMOTOR MOUNTING PLATE MAG AS					
521	421941287512	BLK RATIOMOT.MOUNTING PLATE COVER V2 SMR					
522	421944036081	ADHES.STRIP TESA 4959 H=5 SP=2 L=40 MM					
523	421945006151	GRY GASKET MOTORPLATE SMR					





Pannarello (SUP051)
RI8700/01-02-06-41-42-46 (SUP051W)
RI8701/01-02-06-41-42-46 (SUP051P)



Cod.886870001010-886870002450-886870006470-886870041240-886870042240-886870046540
 Cod.886870101010-886870102450-886870106470-886870141240-886870142240-886870146540

POS	12NC	DESCRIPTION	NOTE	POS	12NC	DESCRIPTION	NOTE
601	421944065222	BLK BREW UNIT COF.OUT.SLEEVE V2 SMR ASSY					
602	996530007838	SCREW TCB TORX 10 3X25 PLAST.SS					
603	421944079291	BLK BREW UN.COUNTER PISTON TUBE V2 S0053					
604	421944079991	BLK BREW UNIT 8GR.COUNTER PISTON V2 P12					
605	996530059406	OR ORM 0320-40 RED SILICONE PTFE/FDA					
606	996530050709	PERCOLATOR DE=35,8 ELFO					
607	NOT AVAILABLE	NOT AVAILABLE					
608	421944050641	BREW UN.WATER INLET SLEEVE V2 SMR					
609	996530059441	OR 2025 NBR FDA					
610	996530050832	BLK BREW UNIT REAR PLATE SMART					
611	996530007951	SCREW TSP TORX 10 3X10 PLAST.SS					
612	421944025811	SS BREW UNIT SPRING H=49 PK					
613	996530050539	BLK BREW UNIT DRILLED BLOCK					
614	421944079201	YLW BREW UNIT ELBOW SHAFT V2 M5000					
615	421944046932	YLW BREW UNIT COUPLING PLATE V3 SMART					
616	421941095982	BLK BREW UNIT V3 SMART1 HOPPER DOSER					
617	996530013148	SCREW TCBR TORX 10 3,5X14 PLAST.SS					
618	996530050829	BLK BREWUNIT HOPPER BLOCKING PLATE SMART					
619	996530050838	SS BREW UNIT HOPPER SPRING SMART					
620	421944079261	BLK BREW UNIT SCRAPER V2 M5000					
621	996530050455	SS BREW UNIT SCRAPER SPRING					
622	996530050627	SS BREW UNIT 8GR.PISTON SPRING					
623	996530050618	WHT BREW UNIT 8GR.-12GR.PISTON BUSH					
624	421944079491	GRY BREW UNIT INTEGR.PISTON 8GR.V4 ASSY					
625	421944079431	BLK COF.CONTAIN.BREW UNIT V4 M5000 ASSY					
626	996530001452	BLK BREW UNIT 8GR.CONNECTING ROD					
627	996530003228	BLK BREW UNIT FRONT PLATE S/SCR.SMART					
628	996530007953	SCREW TCB TORX 10 3,5X20 PLAST.SS					
629	421944081491	BREW UNIT VALVE FTR/B					
630	996530050657	SS.CONICAL SPRING					
631	996530013575	OR ORM 0060-15 NBR FDA					
632	421944065811	GRY BREW UNIT 8GR.INT.PISTON GEN.V3 ASSY					
633	421944079341	BLK BREW UNIT CONVEYOR SLIDE L=56,3 V2					
	421944085731	BLK/YLW BREW UNIT 8GR.5BAR V2 FTR/B					

