

ECM

MANUFACTURE

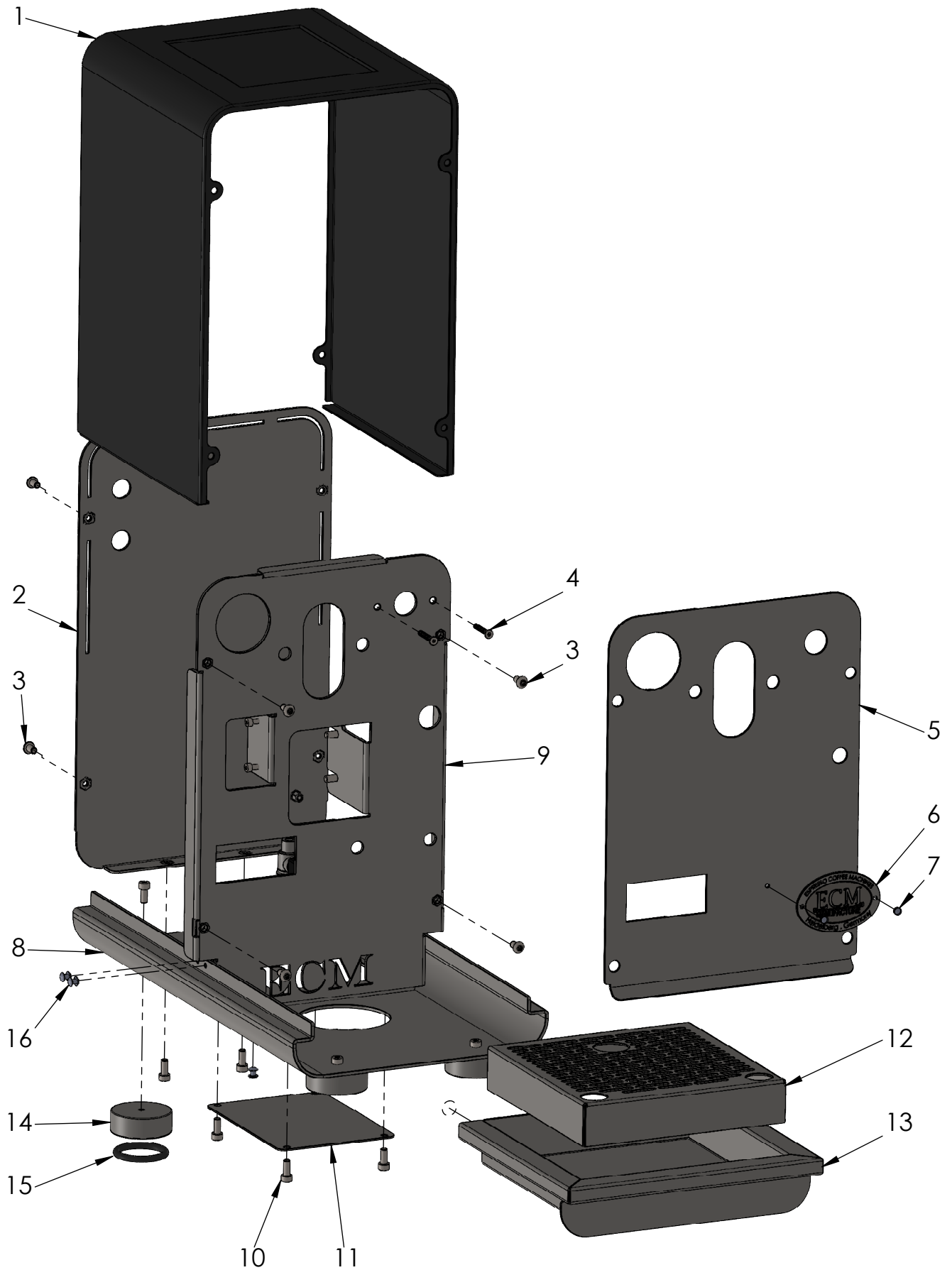


Puristika

Art.-Nr./Item-no. 81025

Ersatzteile / Spareparts

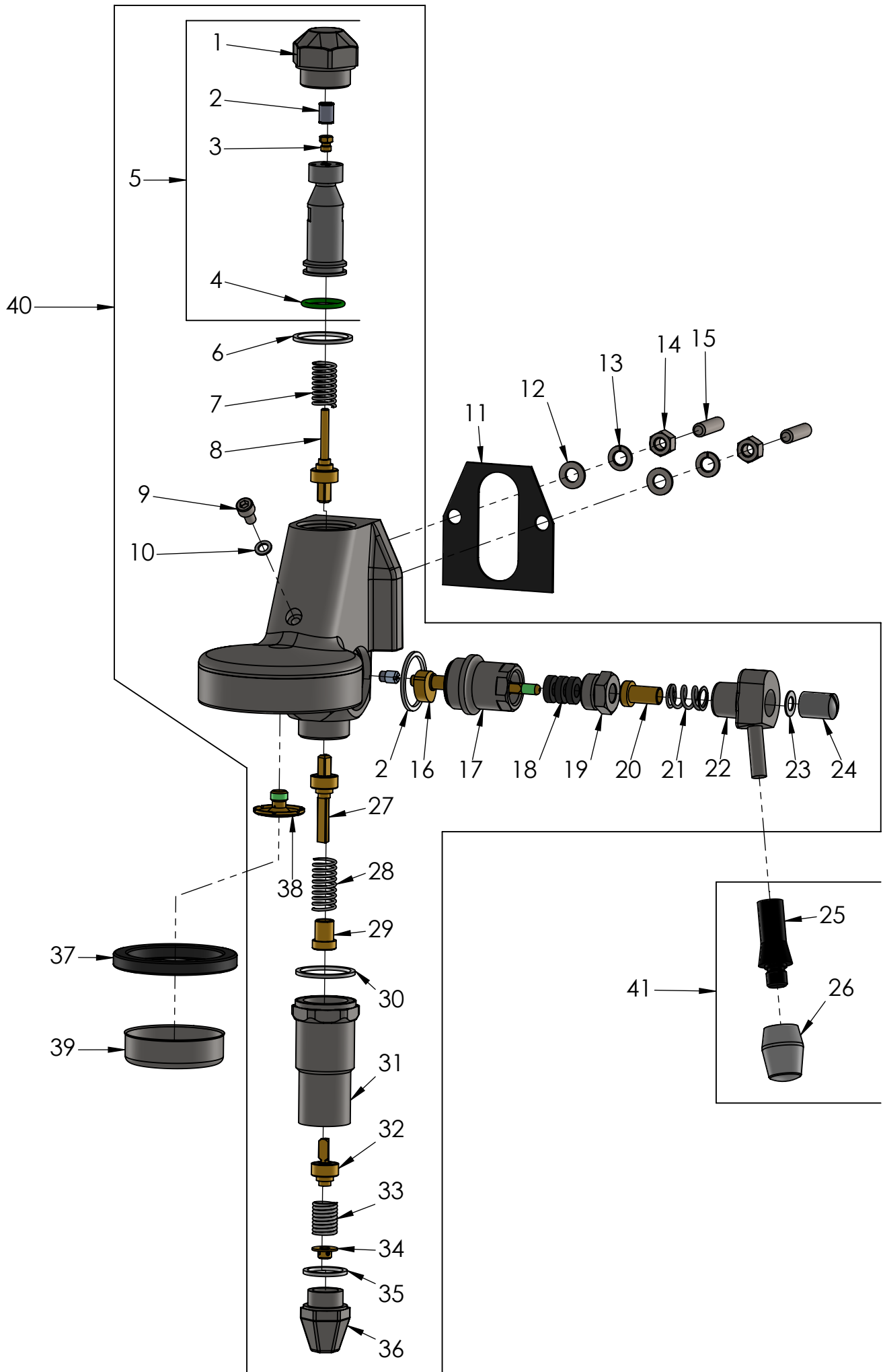
Chassis



Puristika - Table 1 - Chassis

Pos.	Artikelnr./ item no./ num.art.	Bezeichnung	Description	Descrizione
1	P2183	U-Gehäuse Puristika	U-Body Puristika	Fascione Puristika
2	P2182	Rückwand Puristika	Rear panel Puristika	Pannello posteriore Puristika
3	P1969	Schraube Linse M4x8 mit Bund	Button head screw M4x8	Viti flangiata
4	P6111	Senkkopfschraube M4x8	Countersunk head screw M4x3	Vite svasata M4x8
5	P2181	Frontblech Puristika	Front panel Puristika	Frontalino Puristika
6	81200	Emblem ECM 40 x 60 mm	Emblem ECM 40 x 60 mm	Emblema ECM 40 x 60 mm
7	P1998	Blindniet Flachrundkopf 2,4x8 Al	Blind rivet struss Head 2,4x8	Rivetto cieco 2,4x8
8	P2180.1	Grundchassis Puristika Boden	Chassis bottom Puristika	Telaio di base Puristika Floor
9	P2180.2	Grundchassis Puristika Front	Chassis front Puristika	Telaio di base Puristika Front
10	P2006	Schraube Zylinderkopf M4 x 10 A2	Cylinder head screw	Vite fondo M4 x 10 A2
11	P2127	Abdeckung Grundchassis	Chassis cover	Coperatura Base
12	P2185	Gitter Wasserauffangschale Puristika	Grid trip tray Puristika	Griglia di Scarico Puristika
13	P2184	Auffangschale Puristika	Drip tray Puristika	Bacinella di Scarico Puristika
14	P7031	Fuß Puristika	Foot Puristika	Base del dispositivo puristika
15	B7474216.1	OR Fuß Puristika	O-Ring Puristika foot	OR base del dispositivo puristika
16	P1967	Blindniete Flachkopf 3,2	Blind rivet struss Head 3.2x11.5	Rivetto cieco 3,2x11,5

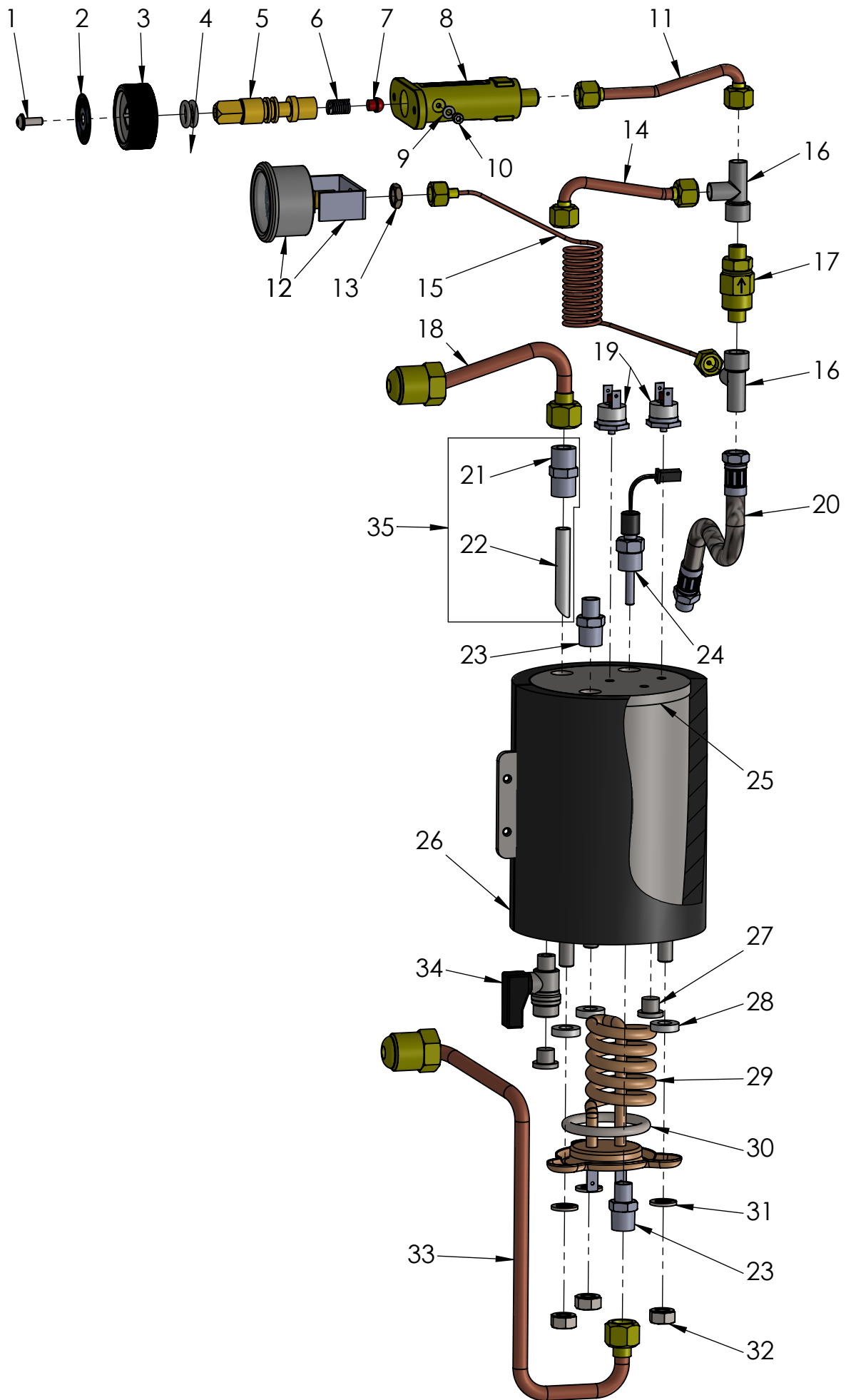
Brewgroup



Puristika - Table 2 - Brewgroup

Pos.	Artikelnr./ item no./ num.art.	Bezeichnung	Description	Descrizione
1	P1000.4	Versch. Brühgruppenzylinder ECM	Screwing brewgroup cylinder	Fine vite gruppo infusione
2	P1025.2	Filter Gilgleur	Filter flow restrictor	Filtrino canotto
3	C229900549	Gigleur 0,8	Flow restrictor 0,8	Gigleur 0,8
4	C469900421	Dichtung Achse	Gasket axis	Guarnizione canotto gruppo
5	P1009	Gruppe E61 Inox Glocke ECM poliert	Group E61 Inox Bell	Gruppo E61 Comp.lucid.cromato
6	C469900422	Dichtung Glocke Brühgruppe	Gasket socket brew group	Guarnizione fungo canotto
7	C219900423	Feder Gruppe oben mitte	Spring upper/middle	Molla Valvola
8	C219900424	Ventil Brühgruppe E61 oben	Valve brew group E61 upper	Valvola erogazione gruppo E61
9	P2077	Schraube Zylinder M6x8 A2	Cylinder head screw M6x8 A2	Vite M6x8 A2
10	C469901132	Dichtung Brühgruppe vorne	Gasket brewgroup front	guarnizione dinanzi gruppo
11	C449900767	Dichtung Brühgruppe am Gehäuse E61	Gasket brew group/front panel E61	Guarnizi Gruppo /Frontalino E61
12	P2010	Unterlegscheibe M8	Washer metric 8	Rondella piane M8
13	P2011	Federring M8 A2	Spring ring metric 8	Rondella elastica M8
14	C309900127	Sechskantmutter M8 A2	Hex nut M8	Dado M8 A2
15	C309900131	Gewindestift M8	Allen screw M8x31	Grano M8
16	C219900425	Nockenwelle Gruppe E61	Camshaft Group E61	Albero camme E61
17	R000002142	Flansch	Flange	Flancia portacamme
18	C219900426	U-Scheibe Achse Gruppe E61	Washer axis group E61	Guarnizione Premistoppa
19	R000002144	Verschraubung Achse Gruppe	Screw joint axis group	Tappo premi gomma
20	P1004	Stutzen Gruppe E61- ECM	Axle Support group E61	Bussola premi gomma
21	C219900427	Feder Achse Gruppe E61	Spring axis group	Molla asse gruppo
22	P1000.2	Hebel Achse Gruppe kurz	Lever group axle short	Camme con Asta corta
23	B7479947	Zahnscheibe M8	Lock washer metric 8	Rondella dentata M8
24	R000002146	Bolzen Hebel	Bolt lever	Calotta M6
25	P1002.1	Brühhebelgriff M8	Brewlever M8	Manopola gruppo M8
26	P1002.9	Hebel Endstück Chrom	Lever endcap chrome	Terminale leva cromato
27	C219903081	Ventil Gruppe Mitte	Valve group E61 middle	Valvola E61 centro
28	C219900423	Feder Gruppe oben mitte	Spring upper/middle	Molla Valvola E61 centro
29	B7479942	Federführung Gruppe	Spring guide group	Bussola Guida Molla
30	C469900421	Dichtung Achse	Gasket axis	Guarnizione canotto gruppo
31	C229901165	Vorbrühzylinder	Pre-brewing cylinder	Canotto inferiore
32	C219900430	Ventil Gruppe E61 unten	Valve group E61 lower	valvola gruppo scarico
33	C219900431	Feder Gruppe unten	Spring group E61 lower	Molla scarico
34	R000002148	Sprühverteiler unten	Sprayer lower	Bussola frangiacqua
35	C469900783	Dichtung Teflon E61 unten	Teflon gasket E61 lower	Guarnizione PTFE
36	P1000.5	Auslass unten Gruppe	Drain screw E61 lower	Scarico inferiore Gruppe
37	C449900229	Gruppendichtung H=8	Group gasket H=8mm	Guarnizione sottocoppa 8
38	C229901128	Sprühverteiler	Sprayer brew group	Diffusore gruppo
39	C519900103	Duschensieb E-61	Shower screen E61	Doccetta E61
40	P1016	Brühgruppe E61 ECM	Brewgroup E61 ECM	Gruppo E 61 Tipo ECM
41	P1002	Hebel Gruppe M8 Chrom komplett	Brewgroup lever M8 chrome	Leva E61 cromata

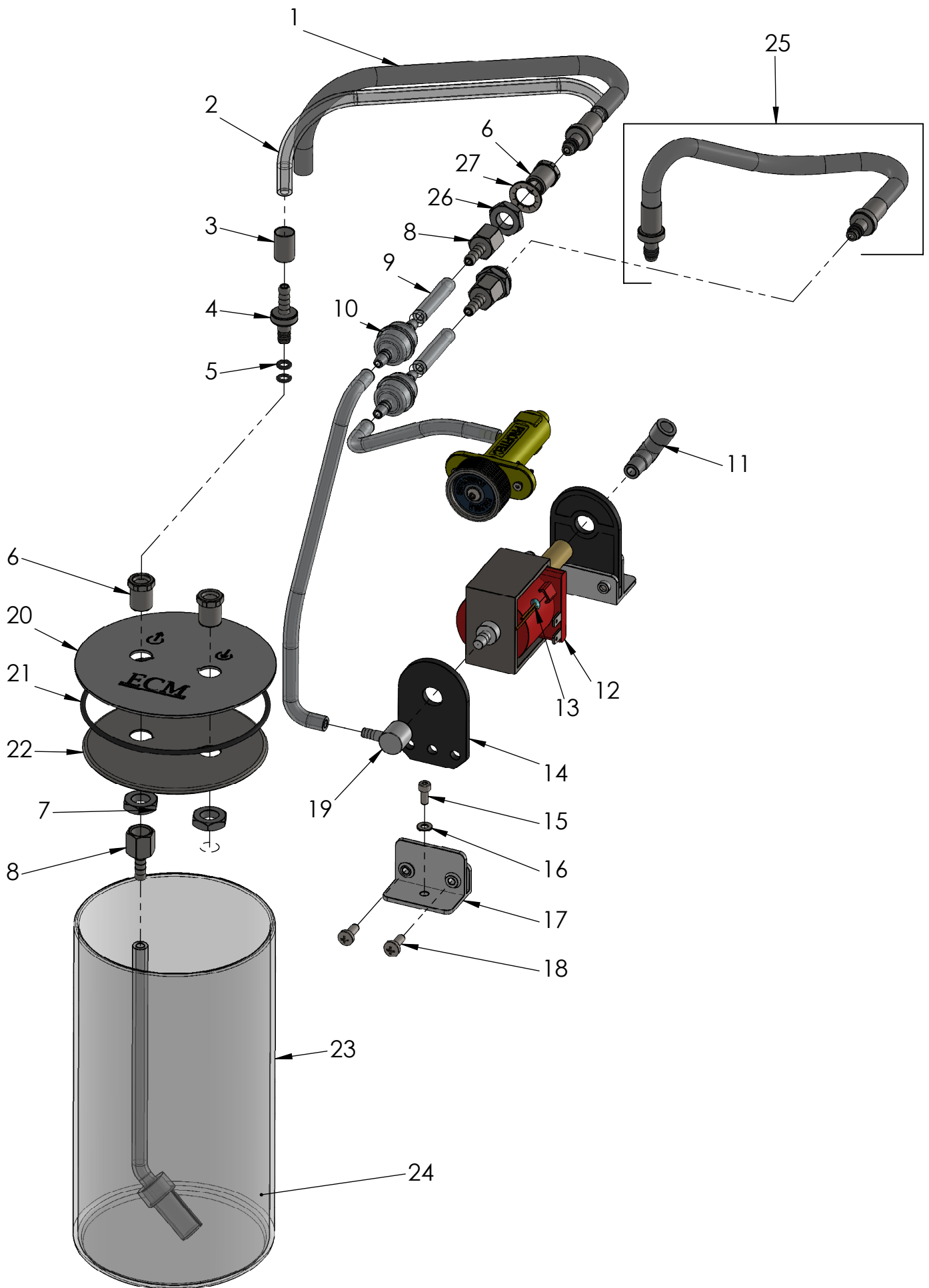
Boiler



Puristika - Table 3 - Boiler

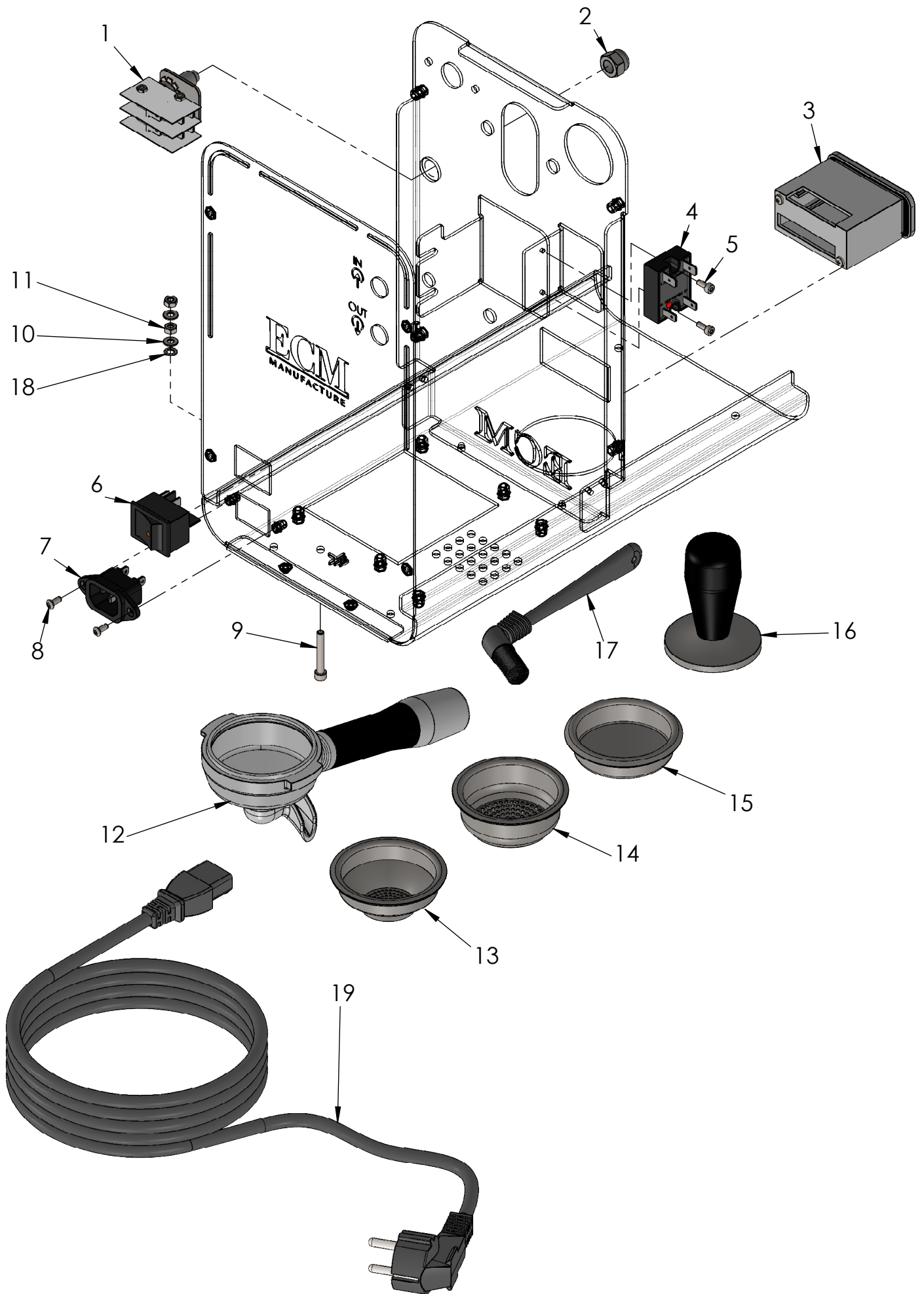
Pos.	Artikelnr./ item no./ num.art.	Bezeichnung	Description	Descrizione
1	P1969	Schraube Linsenkopf m. Bund M4x8	Button head screw M4x8	Vite bombata M4x8
2	P7000.9	Ventilplättchen Griff	Valveplate grip	Piastrella manopola
3	P7000.8	Griff Edelstahl Expansionsventil	Handle expansion valve inox	Manopolo valvola espansione inox
4	P7000.5	OR Expansionsventil	OR Expansionvalve	OR valvola espansione
5	P7000.7	Drückjustage Griff Expansionsventil	Press.-adjustment grip	Regolatore Manopola Espansione
6	P7000.3	Feder Expansionsventil	Spring expansion valve	Molla valvola espansione
7	P7000.4	Gummistöpsel	Rubber plug	Tappo di gomma
8	P7000.1	Grundkörper Expansionsventil	Valve	Corpo valvola espansione
9	P1993	Unterlegscheibe M3 Nylon	Washer metric 3 Nylon	Rondella Nylon M3
10	P1994	Schraube Zylinderkopf M3x5 A2	Socket head cap screw M3x5 A2	Vite M 3x5 A2
11	P9420	Rohr Expansionsventil Puristika	Pipe expansion valve Puristika	Tubo valvola espansione Puristika
12	P2440	ECM Pumpenmanometer Blau	Pump pressure gauge blue	manometro pompa blu
13	P2067	Halbmutter	Halfnut	Dado mezzo
14	P9419	Rohr Befüllung Kessel Puristika	Boiler filling tube Puristika	Tubo carico Caldaia Puristika
15	P6051	Kapillarrohr Pumpendruckmanometer	Capillary tube pump pressure gauge	Tubo capillare manometro
16	C229900644	T-Stück	T-connector	Raccordo
17	C229900548	Rückschlagventil	Check-valve	Valvola non ritorno
18	P9417	Rohr Zulauf Gruppe Puristika	Inlet pipe brewing group	Tubo Andata Gruppo
19	C199901550.1	Sicherheitsthermostat 145°C	Safety thermostat 145°C	Termostato riarmo 145°C
20	P8012	Metall-flexschlauch	Flex hose	Tubo flex
21	C229900520	Adapterverschraubung 1/4" MM	Nipple 1/4" MM	Nipplo 1/4" MM
22	P6314.1	Teflon-Schlauchzuschnitt Ø8x6 50mm	Teflon-hose cut Ø8x6 50mm	Tubo flessibile teflon vuoto Ø8x6 50mm
23	C229900519	Adapterverschraubung 1/4" - 1/8" MM	Nipple 1/4" - 1/8" MM	Nipplo 1/4" - 1/8" MM
24	P6037	Temperatursensor NTC 1/4"	Temperature sensor 1/4" NTC	Sensore Temperatura 1/4" NTC
25	P9012	Edelstahlkessel	Stainless steel boiler	Caldaia Inox
26	P7051	Isolierung Edelstahlkessel	Insulation stainless steel boiler	Isolazione Caldaia Inox Classika
27	P2058	Verschlusschraube	Screw plug	Tappo di scarico
28	P9033	Scheibe Teflon	Washer Teflon	Rondella Teflon
29	P9011	Heizung Edelstahlkessel	Heating element stainless steel boiler	Riscaldamento
30	P9013	Dichtung Heizung Kessel Edelstahl	Gasket heating element inox-boiler	Guarnizione riscaldamento caldaia
31	P2010	Unterlegscheibe M8	Washer metric 8	Rondella piane A2 M8
32	C309900127.2	Sechskantmutter M8 Messing	Hexagon nut M8 brass	Dado M8 Ottone
33	P9418	Rohr Rücklauf Gruppe Puristika	Pipe return flow group Puristika	Tubo Ritorno Gruppo Puristika
34	P3029	Absperrventil Kesselentleerung	Shut off valve boiler draining	Valvola di chiusura caldaia
35	P6314.K	Fänger komplett Puristika	Catcher complete Puristika	Catcher completamente Puristika

Water supply



Puristika - Table 4 - Watersupply

Pos.	Artikelnr./ item no./ num.art.	Bezeichnung	Description	Descrizione
1	P6903	Feder Silikonschlauch Pursitika	Hosespring silicone hose	Molla del tubo flessibile
2	C499900769	Silikonschlauch transparent	Silicone hose transparent	Tubo silicone trasparente
3	P6902	Hülse Feder Silikonschaluch	sleeve stainless steel srping hose	Bussola tobo flessibile
4	P6904	Adpater Tank Male Puristika	Adpater Tank Male Puristika	connettore rapido maschio
5	P6907	OR Adapter Puristika	OR Adapter Puristika	Guarnizione connettore rapido maschio
6	P6905	Adpater Tank Female Puristika	Adpater Tank Female Puristika	connettore rapido femmina
7	C329900683	Halbmutter vernickelt	Halfnut nickel plated	Mezzo dado nichelato
8	P6906	Anschlussfitting Silikonschlauch	Hoseconnector Fitting	Portagomma female
9	C499900769	Silikonschlauch transparent	Silicone hose transparent	Tubo silicone trasparente
10	C439900695	Filter Wassertankbetrieb	Filter water tank operation	Filtro per tubo silicone
11	P9014	L-Fitting	Elbow	Raccordo
12	C199900286	Pumpe ULKA EX5 230V/ 50hz	Pump ULKA EX5 230V/ 50hz	Pompa ULKA EX5
13	C199900969	Thermostat Pumpe	Thermal cutoff Pump	Termoprotettore Pompe
14	C249900770	Halterung Pumpe	Pump Holder Rubber	Antivibrante Standard
15	P2006	Schraube Zylinderkopf M4 x 10	Socket head cap screw M4 x 10	Vite M4 x 10
16	P2009	Unterlegscheibe M4 A2	Washer metric 4 A2	Rondella piane M4
17	P3006.K	Plastik Halterung Pumpe L	Lower pump bracket	Staffa Supporto Pompa L
18	P3019	Schraube Pumpenhalterung	thread forming screw	Vite autofilettante zincata
19	C449900709	Pipette Auslass Expansionsventil	Rubber elbow fitting (pump)	Pipetta pompa
20	P6901.1	Deckel Wassertank Puristika oben	Lid watertank Puristika upper	coperchio serbatoio acqua superiore
21	P6901.3	OR Adapter Puristika	OR Adaptor Puristika	OR adattore Puristika
22	P6901.2	Deckel Wassertank Puristika unten	Lid watertank Puristika lower	coperchio fondo serbatoio acqua
23	P6900	Wassertank Glas Puristika	Watertank glas Puristika	Serbatoio in glas Puristika
24	C639900933	Filter für Ansaugschlauch	Filter silicon pipe	Filtro aspirazione
25	P6908.K	Schlauch Puristika komplett	Puristika Hose complete	Tubo Puristika completo
26	C329900682	Halbmutter	Halfnut	Mezzo dado
27	P1988	Fächerscheibe	Serrated lock washer	Rondella segehtata



Puristika - Table 5 - eletr. Components , Accessiores

Pos.	Artikelnr./ item no./ num.art.	Bezeichnung	Description	Descrizione
1	P2080	Micro Schalter Doppelt	Micro switch double	Micro contatore doppio
2	B5221875CM	Mutter Mikroschalter	Hexagon nut microswitch	Dado Micro Hex
3	P6064	PID Puristika	PID- Controller Puristika	Unità di controllo PID
4	P6029	Statisches Relais (klein)	Solid state relay	Relais statico
5	P1995	Screw cylinder head M3x10	Screw cylinder head M3x10	Vite M3x10
6	G1021	Ein/Aus Schalter 230 V	On-/Off switch 230VAC	Interruttore 230VAC
7	P2190	Netzsteckerbuchse C14 Puristika	Power Socket C14	Presa di corrente C14
8	P6101	Linsenkopfschraube M3x8 A2	Socket button head screw M3x8 A2	Vite Bombata M3x8 A2
9	P1983	Schraube Zylinderkopf M4x30 A2	Socket head cap screw M4x30 A2	Vite di messa a terra M4x30 A2
10	P2009	Unterlegscheibe M4 A2	Flat washer metric 4 A2	Rondella piane M4 A2
11	P2026	Mutter M4 A2	Hex nut M4 A2	Dado M4 A2
12	89427	ECM Filtertr. 2 Ausläufe mini schräg	ECM Portafiltre 2 Spouts mini	ECM portafiltro 2 vie mini
13	C619900104	Tassensieb 7g	Filter for 1 cup 7g coffee	Filtro 7g
14	C619900105	Tassensieb 14g	Filter for 2 cups 14g coffee	Filtro 14g
15	C619900106	Blindsieb	Blind filter for brew group cleaning	Filtro cieco
16	89410	Neutral Tamper Geräte beigabe	Neutral Tamper	Pressa da caffè
17	R210	Reinigungspinsel	Cleaning brush coffee machine	Spazzolino per doccia nero
18	P2004	Zahnscheibe M4	Lock washer M4	Rondella dentura M4