



*coffeeing the World*

# SILVIA PRO X



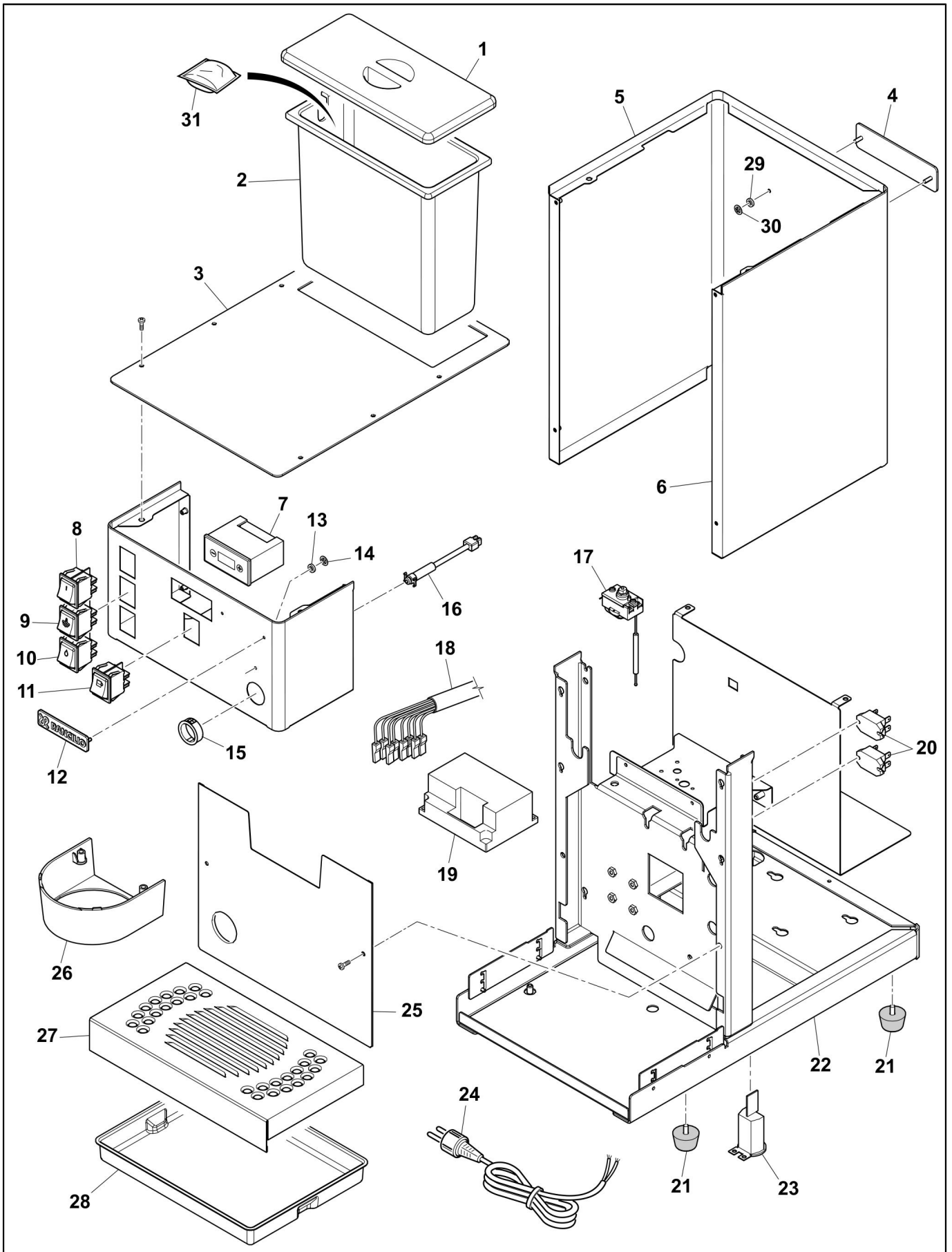
## HOME LINE



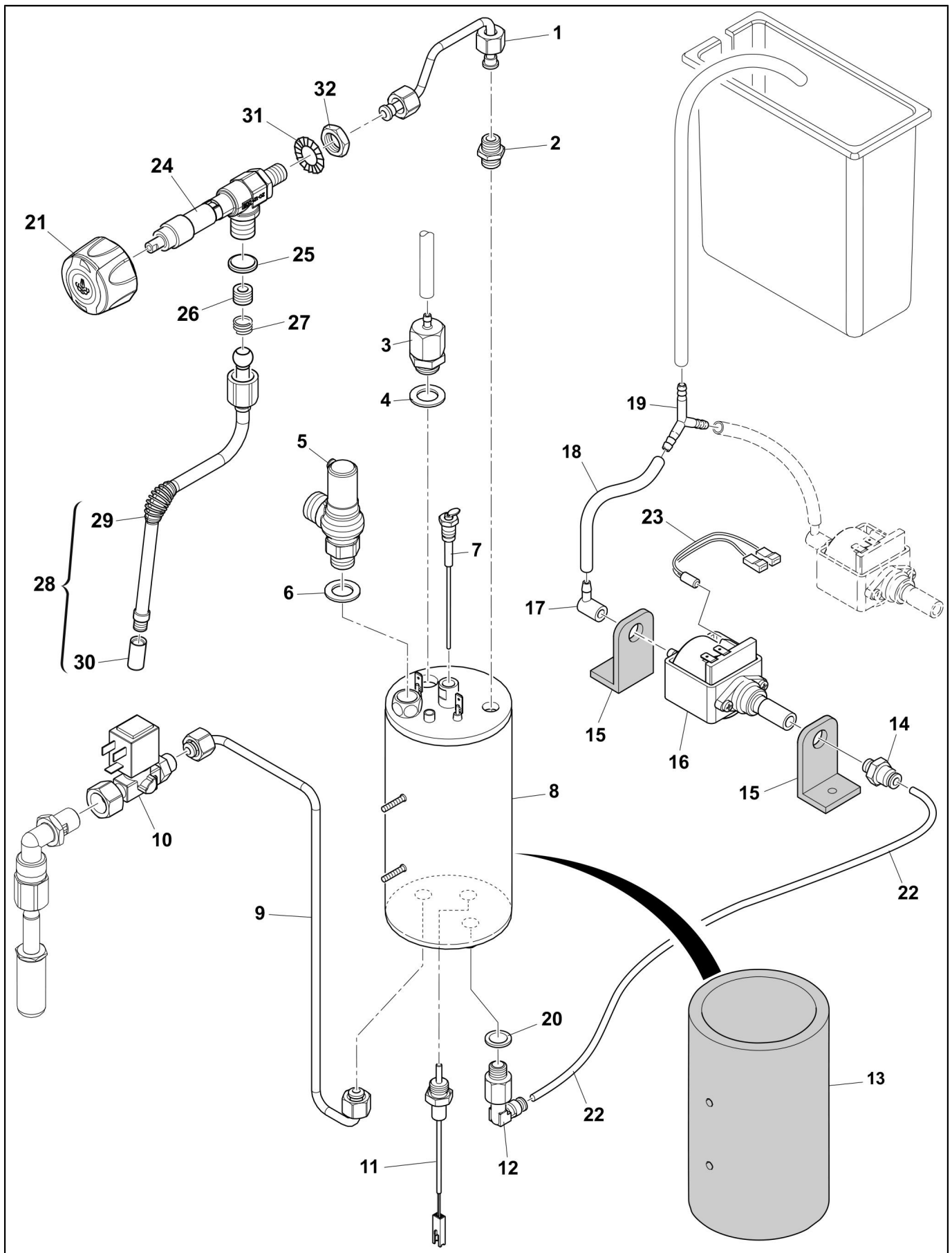
*coffeeing the World*

## Index

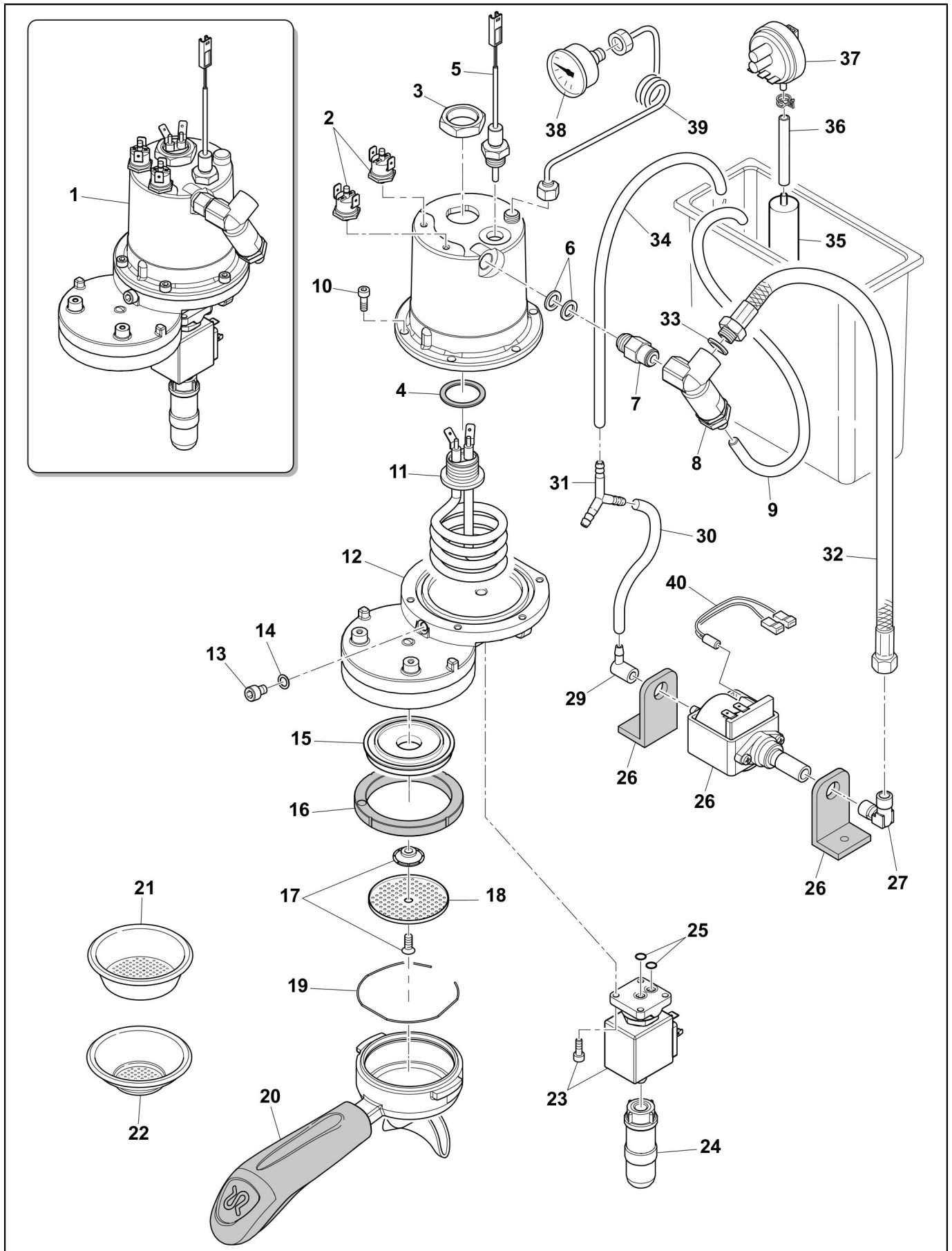
Table 14001/21 - CARROZZERIA SILVIA PRO X.....	4
Table 14005/20 - SISTEMA VAPORE.....	6
Table 14004/21 - SISTEMA CAFFE X.....	8
Alphanumeric index.....	10



POS.	CODE	DESCRIPTION	NOTES
1	38123011	Lid	
2	38120334	Water Tank 2L	
3	32332214	Top Lid Silvia Pro	
4	42200122	Rancilio Plate Mm115	
5	32332213	Rear Panel Silvia Pro	
	32332213A	POSTERIORE SILVIA PRO-AI-NERO	
	32332213B	POSTERIORE SILVIA PRO-AI-BIANCO	
6	32332213	Rear Panel Silvia Pro	
	32332213A	POSTERIORE SILVIA PRO-AI-NERO	
	32332213B	POSTERIORE SILVIA PRO-AI-BIANCO	
7	10701630	Display Silvia Pro Assy.	
8	34030156	Main Switch Silvia pro	
9	34030154	Steam Switch Silvia Pro	
10	34030155	Water Switch Silvia Pro	
11	34030153	Coffee Switch Silvia Pro	
12	42200121	Rancilio Plate Mm 70	
13	36201006	Rubber Heat-Cup Washer	
14	37900505	Round Fixer D3 H106	
15	32332210	Control Panel Silvia Pro	
16	34030128	White Light Steam Silvia Pro	
17	34200351	Thermostat 150 230V Steam Boiler	
	34200354	High Limit Thermostat 165/15 110V UI	
18	10110020	Wiring Silvia Pro 230V	
	10110021	Wiring Silvia Pro 110V	
19	34070325	Electronic Board Silvia Pro	
20	34200378	RELE'STATO SOLIDO 25A - 230V	
21	36310019	Foot Gum 36x15	
22	10880187P	TELAIO VERNICIATO SILVIA PRO-AI-PROVVISORIO	
23	34200271	Clamp Vertical Wiring Fixer	
24	34300049	Cable With Plug	
	34300109	Cable H07Rn-F 3Gx1,5 L=2000+Plug	
25	32332399	MASCHERINA PER MANOMETRO SILVIA PRO	
26	38120346	Group Cover Silvia Pro	
27	32332215	Cup Tray Grid Silvia Pro	
28	32332233	Drain Tray Silvia Pro	
29	36201006	Rubber Heat-Cup Washer	
30	37900505	Round Fixer D3 H106	
31	69000408	Coffee Cleaning Tablets Jar 100Tab	
	69000838	BWT Softner Bag	
32	32332232	RIALZI GRIGLIA SILVIA PRO-AI-	
	37901005	Nut Moving Outlet	



POS.	CODE	DESCRIPTION	NOTES
1	10042268	Steam Tap Pipe	
2	23000274	Connector M1/4 X M1/4 Gas	
3	10060053	A.V. Valve B9	
4	36220009	Gasket Nut Note Teflon	
5	10060529	Safety Valve 1,9 Bar 3/8"	
6	00019974	Gasket 14,8 X 9 X 2 Copper	
7	10701803	Kit Level Probe with nut	
8	10020041	Steam Boiler 230v	
	10020043	Steam Boiler 110v	
	69200141	Elbow Connector G1/4X6 Ppsu	from/da 10342524 for 230v 11/11/20 from/ da 10345397 for 110v 13/01/21
9	10042269	Hot Water Tap Pipe	
10	10701406	Hot Water Wand+Extension Classe 5	
	10701597	Electrovalve Hot Water 110v	
	10701668	Electrovalve Hot Water 2300v	
	20200113	Hot Water Connection Brass	
	23000373	Extension Water Wand Classe 5	
11	10701642	Temperature Sensor With O-Ring	
	36404054	O-Ring 12,42 X 1,78 V 70Sh 2050	
12	69200141	Elbow Connector G1/4X6 Ppsu	from/da 10342524 for 230v 11/11/20 from/ da 10345397 for 110v 13/01/21
13	69000416	Boiler Insulation Steam Boiler B9	
14	69200135	Straight Connector G1/8 X 6	from/da 10342524 for 230v 11/11/20 from/ da 10345397 for 110v 13/01/21
15	36990056	Anti-Vibrating Device Ulka	
16	10701788	ASSIEME CARICO CALDAIA SILVIA PRO 230V	from/da 10342524 for 230v 11/11/20 from/ da 10345397 for 110v 13/01/21
	10701790	ASSIEME CARICO CALDAIA SILVIA PRO 120V	from/da 10342524 for 230v 11/11/20 from/ da 10345397 for 110v 13/01/21
	34011023	Pump 120V 60Hz	
	34011026	Pump 220-230V 50Hz	
17	38121034	Pipe Connector Ep5	
18	38228002	Silicone Hose D. 9X6X560	
19	00055748	Y Unit D. 6 Mm	
20	00019974	Gasket 14,8 X 9 X 2 Copper	
21	34200044	Thermal 2Mmt 120&#164;	
	69200141	Elbow Connector G1/4X6 Ppsu	
22	10701871	KIT REPAIR BOILER SILVIA PRO	
	38228073	Teflon Hose Fep D. 6 X 4	from/da 10342524 for 230v 11/11/20 from/ da 10345397 for 110v 13/01/21
23	10060190	Steam Handle Assy.	
24	10701632	RUBINETTO+SNODO VAPORE SILVIA PRO	
	10701667	RUBINETTO+SNODO VAPORE SILVIA PRO ETL	
25	36220009	Gasket Nut Note Teflon	
26	39110038	Spring Connection Steam Tap	
27	36930016	Gasket Teflon Connection Steam Wand	
28	10049112	Steam Pipe Inox Lg 25	
29	36990004	Rubber For Steam Pipes	
30	23000121	Sprayer Lg25 D1.1 4holes	
	23000426	Steam Sprayer 3 Holes 1,1 Inox	
31	37431600	Outer Toothed Washer D16	
32	23217005	Low Nut 1/4" Gas	





POS.	CODE	DESCRIPTION	NOTES
1	10051011	Brewing Group Silvia Pro assy. 230v	
	10051012	Brewing Group Silvia Pro assy. 110v	
2	00100300.001	Temperature Limiter 140 C	
3	23000237	Nut M22 Heating Element Inox Boiler Silvia	
4	36220023	Gasket 30 X 22,5 X 2 Boiler Silvia	
5	10701642	Temperature Sensor With O-Ring	
	36404054	O-Ring 12,42 X 1,78 V 70Sh 2050	
6	36240006	Gasket 11 X 7 X 1,5	
7	23000256	Boiler-Exp. Valve Connector	
8	10060406	Expansion Valve Miss	
9	38228002	Silicone Hose D. 9X6X560	
10	37060514	Screw M5 X 12 Tcei Iso 4762	
11	10705638	Kit Heating Element+Gasket 110-120V Silvia	
	10705639	Kit Heating Element+Gasket 220-240V	
12	20103022D	Group Head Silvia	
13	37060608	Screw M 6 X 8	
14	36240001	Gasket Copper	
15	20200182	Shower Holder Brass	
16	36301030	Gasket Brewing Group	
17	10701784	Group Jetbreaker with screw/20	
18	40200005	Shower Net	
19	25105001	Filter Spring	
20	10070108R	Porta-Filter Silvia	
21	40100107	16Gr Filter Inox	
22	40100106	8Gr Filter Inox	
23	34040050	Electrovalve ODE 3 way 220-240v/5060HZ	
	34040051	Electrovalve ODE 3 way 110-120/50-60HZ	
24	10090002	Therm.Group Jetbreaker	
25	36402005	O-Ring Electrovalve	
26	10701787	ASSIEME POMPA GRUPPO SILVIA PRO 230V	
	10701789	ASSIEME POMPA GRUPPO SILVIA PRO 120V	
	34011023	Pump 120V 60Hz	
	34011026	Pump 220-230V 50Hz	
	36990056	Anti-Vibrating Device Ulka	
27	69200121	Elbow Connector M1/8-M1/8	
29	38121034	Pipe Connector Ep5	
30	38228002	Silicone Hose D. 9X6X560	
31	00055748	Y Unit D. 6 Mm	
32	69000616	Pipe Flex Inox 6x490 1/8F-1/8M	
33	27350001	Gasket 3/8 X 1 Copper	
	27350002	Gasket 3/8 X 1,5 Copper	
34	38228002	Silicone Hose D. 9X6X560	
35	38120333	Air Trap Tank	
36	38228050	Pvc Feeding Pipe D4X7	
37	34200061	Pressure Switch	
38	35002509	Manometer Pompe 0-16 D. 44	
39	69000387	Pipe Capillary Manometer F1/8-F1/4	
40	34200044	Thermal 2Mmt 120&#164;	

Code	No. table	Pos.
00019974	14005/20	20
00019974	14005/20	6
00055748	14004/21	31
00055748	14005/20	19
00100300.001	14004/21	2
10020041	14005/20	8
10020043	14005/20	8
10042268	14005/20	1
10042269	14005/20	9
10049112	14005/20	28
10051011	14004/21	1
10051012	14004/21	1
10060053	14005/20	3
10060190	14005/20	23
10060406	14004/21	8
10060529	14005/20	5
10070108R	14004/21	20
10090002	14004/21	24
10110020	14001/21	18
10110021	14001/21	18
10701406	14005/20	10
10701597	14005/20	10
10701630	14001/21	7
10701632	14005/20	24
10701642	14004/21	5
10701642	14005/20	11
10701667	14005/20	24
10701668	14005/20	10
10701784	14004/21	17
10701787	14004/21	26
10701788	14005/20	16
10701789	14004/21	26
10701790	14005/20	16
10701803	14005/20	7
10701871	14005/20	22
10705638	14004/21	11
10705639	14004/21	11
10880187P	14001/21	22
20103022D	14004/21	12
20200113	14005/20	10
20200182	14004/21	15
23000121	14005/20	30
23000237	14004/21	3
23000256	14004/21	7
23000274	14005/20	2
23000373	14005/20	10
23000426	14005/20	30
23217005	14005/20	32
25105001	14004/21	19
27350001	14004/21	33
27350002	14004/21	33
32332210	14001/21	15
32332213	14001/21	5
32332213	14001/21	6
32332213A	14001/21	5
32332213A	14001/21	6
32332213B	14001/21	5
32332213B	14001/21	6
32332214	14001/21	3
32332215	14001/21	27
32332232	14001/21	32
32332233	14001/21	28
32332399	14001/21	25
34011023	14004/21	26
34011023	14005/20	16
34011026	14004/21	26
34011026	14005/20	16

Code	No. table	Pos.
34030128	14001/21	16
34030153	14001/21	11
34030154	14001/21	9
34030155	14001/21	10
34030156	14001/21	8
34040050	14004/21	23
34040051	14004/21	23
34070325	14001/21	19
34200044	14004/21	40
34200044	14005/20	21
34200061	14004/21	37
34200271	14001/21	23
34200351	14001/21	17
34200354	14001/21	17
34200378	14001/21	20
34300049	14001/21	24
34300109	14001/21	24
35002509	14004/21	38
36201006	14001/21	13
36201006	14001/21	29
36220009	14005/20	25
36220009	14005/20	4
36220023	14004/21	4
36240001	14004/21	14
36240006	14004/21	6
36301030	14004/21	16
36310019	14001/21	21
36402005	14004/21	25
36404054	14004/21	5
36404054	14005/20	11
36930016	14005/20	27
36990004	14005/20	29
36990056	14004/21	26
36990056	14005/20	15
37060514	14004/21	10
37060608	14004/21	13
37431600	14005/20	31
37900505	14001/21	14
37900505	14001/21	30
37901005	14001/21	32
38120333	14004/21	35
38120334	14001/21	2
38120346	14001/21	26
38121034	14004/21	29
38121034	14005/20	17
38123011	14001/21	1
38228002	14004/21	30
38228002	14004/21	34
38228002	14004/21	9
38228002	14005/20	18
38228050	14004/21	36
38228073	14005/20	22
39110038	14005/20	26
40100106	14004/21	22
40100107	14004/21	21
40200005	14004/21	18
42200121	14001/21	12
42200122	14001/21	4
69000387	14004/21	39
69000408	14001/21	31
69000416	14005/20	13
69000616	14004/21	32
69000838	14001/21	31
69200121	14004/21	27
69200135	14005/20	14
69200141	14005/20	12
69200141	14005/20	21

Code	No. table	Pos.
69200141	14005/20	8





## Headquarters, Production Plant and R&D Centers

### Rancilio Group s.p.a.

Viale della Repubblica 40  
20010 Villastanza di Parabiago  
Milano - Italy  
Tel +39 0331 408200  
Fax +39 0331 551437  
[www.ranciliogroup.com](http://www.ranciliogroup.com)  
[info@ranciliogroup.com](mailto:info@ranciliogroup.com)

### Egro Suisse AG

Bahnhofstrasse 66  
5605 Dottikon, Switzerland  
Tel. +41 (0)56 616 95 95  
Fax +41 (0)56 616 95 97  
[www.egrocoffee.com](http://www.egrocoffee.com)  
[info@egrocoffee.com](mailto:info@egrocoffee.com)

## Worldwide Branch Locations

### SPAIN

RancilioGroup Espana, s.a.  
Gran Via de Carlos III, 84 3ª  
Edificio Trade  
08028 Barcelona - Spain  
Tel. +34 902 884 275  
Tel. +34 934 923 414  
Fax +34 934 965 701  
[www.ranciliogroup.com](http://www.ranciliogroup.com)  
[info-es@ranciliogroup.com](mailto:info-es@ranciliogroup.com)

### PORTUGAL

Rancilio Group Portugal Lda  
Estrada da Falagueira nº 68 E  
2700-365 Amadora-Lisboa - Portugal  
Tel. +351 21 019 10 91  
Fax +351 21 019 10 91  
  
Rua Nova do Seixo 1282  
4465-706 Leça do Balio-Porto - Portugal  
Tel. +351 22 010 14 19  
Fax +351 22 010 14 19  
[www.ranciliogroup.com](http://www.ranciliogroup.com)  
[info-pt@ranciliogroup.com](mailto:info-pt@ranciliogroup.com)

### GERMANY

Rancilio Group Deutschland GmbH  
Talstrasse 27  
97990 Weikersheim - Germany  
Ph. +49 7934 99 29 30  
Fax +49 7934 99 29 330  
[www.ranciliogroup.de](http://www.ranciliogroup.de)  
[info-de@ranciliogroup.com](mailto:info-de@ranciliogroup.com)

### SWITZERLAND

Egro Suisse AG  
Bahnhofstrasse 66  
5605 Dottikon - Switzerland  
Tel. +41 (0)56 616 95 95  
Fax +41 (0)56 616 95 97  
[www.egrosuisse.ch](http://www.egrosuisse.ch)  
[info@egrosuisse.ch](mailto:info@egrosuisse.ch)

### USA/CANADA

Rancilio Group North America Inc.  
1340 Internationale Parkway / Suite 200  
Woodridge, IL 60517 - U.S.A.  
Ph: +1 630 914 7900  
Fax: +1 630 914 7901  
Toll Free: +1 877 726 2454  
[www.ranciliogroup.com](http://www.ranciliogroup.com)  
[info@ranciliogroupna.com](mailto:info@ranciliogroupna.com)

